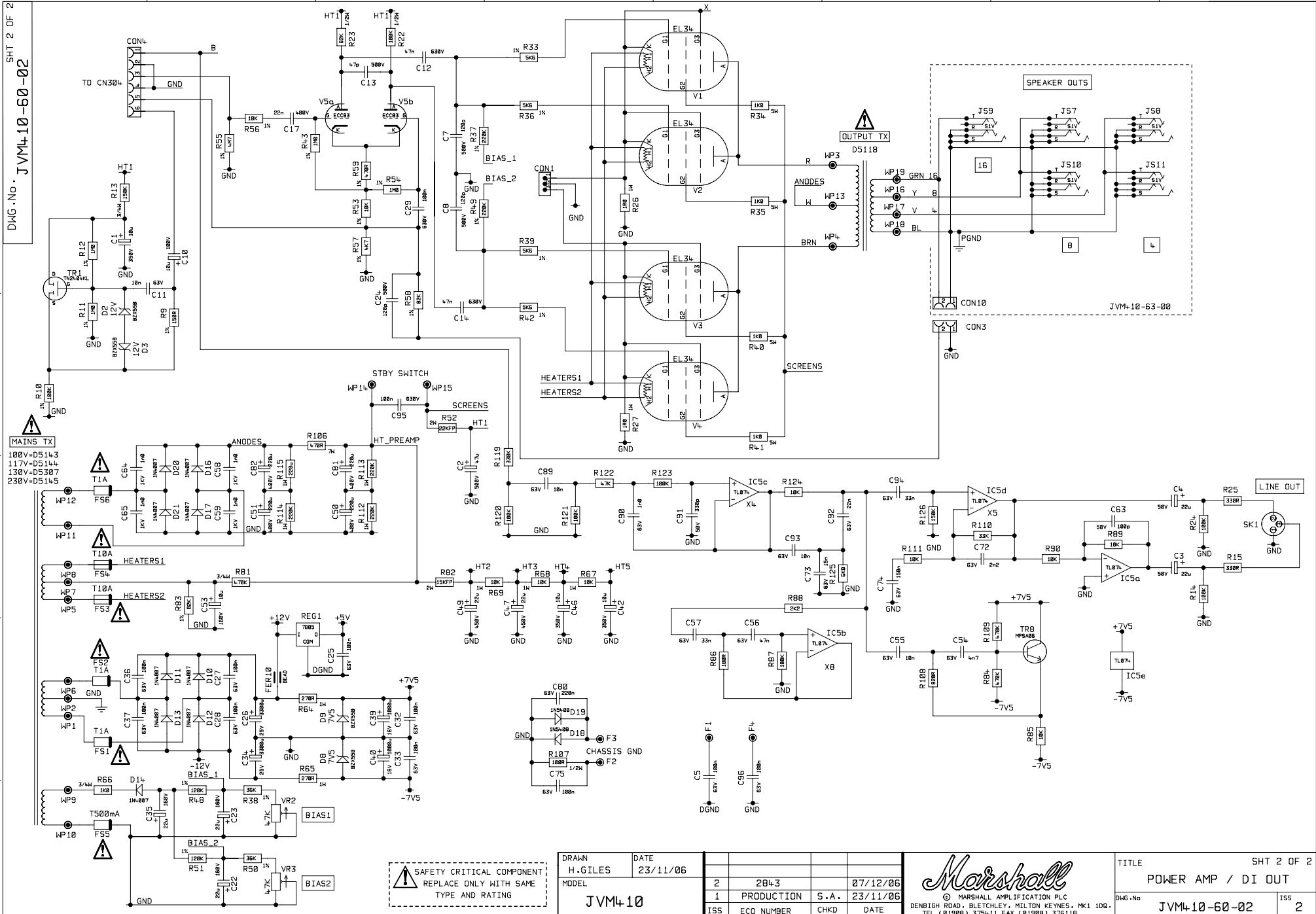


DRAWN H.GILES	DATE 23/11/06		
MODEL JVM4-10	ISS 2	ECO NUMBER 284.3	CHKD S.A.
		DATE 07/12/06	23/11/06



TITLE PRE AMP	SHT 1 OF 2
DWG. No JVM4-10-60-02	ISS 2



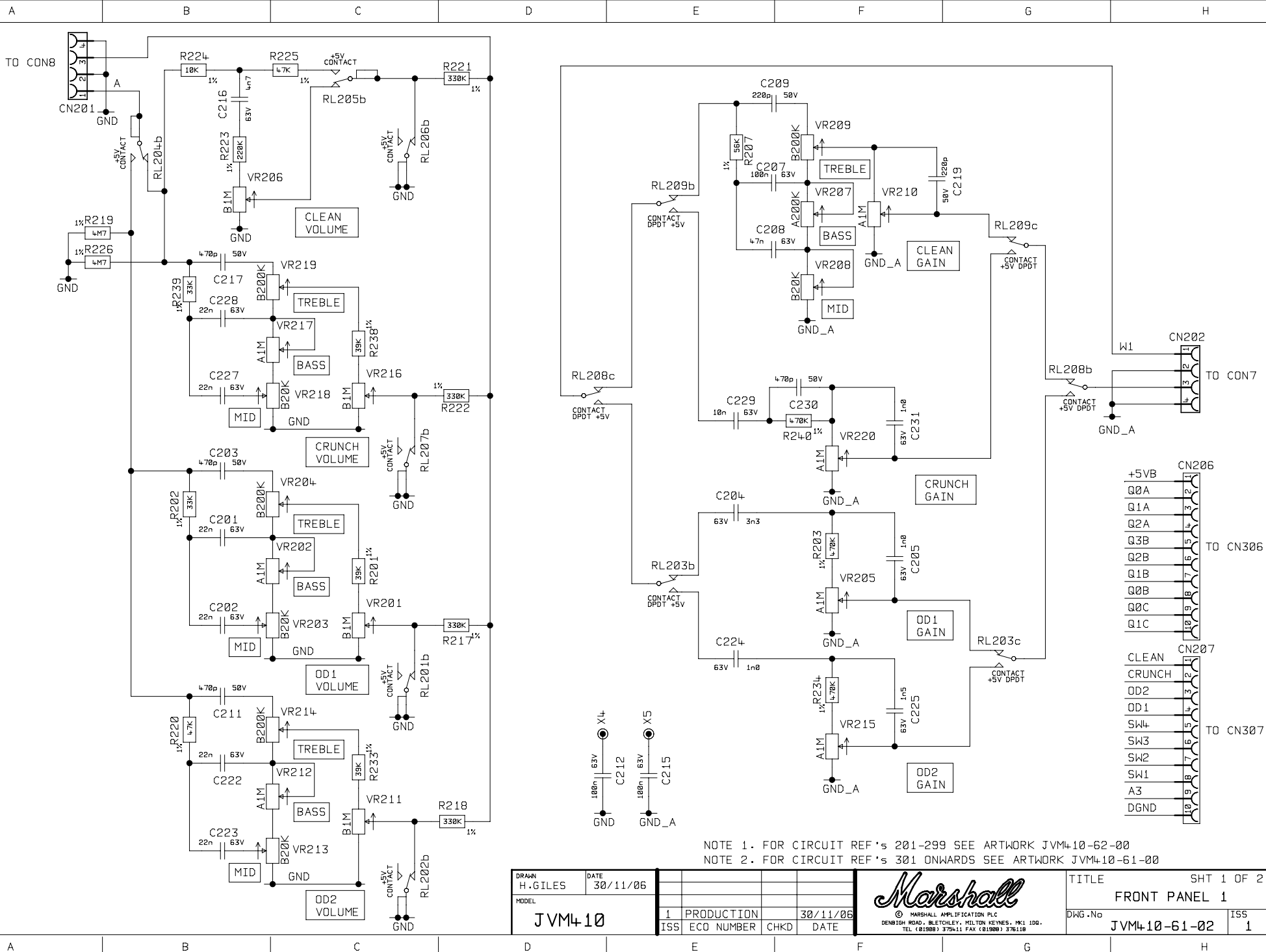
**SAFETY CRITICAL COMPONENT**  
 REPLACE ONLY WITH SAME  
 TYPE AND RATING

DRAWN	H.GILES	DATE	23/11/06
MODEL	JVM4 10	ISS	2
ECO NUMBER	2843	CHKD	07/12/06
DATE	23/11/06	ISS	1

*Marshall*  
 MARSHALL AMPLIFICATION PLC  
 DENBIGH ROAD, BLETCHLEY, MILTON KEYNES, MK1 10G.  
 TEL (01908) 375411 FAX (01908) 376118

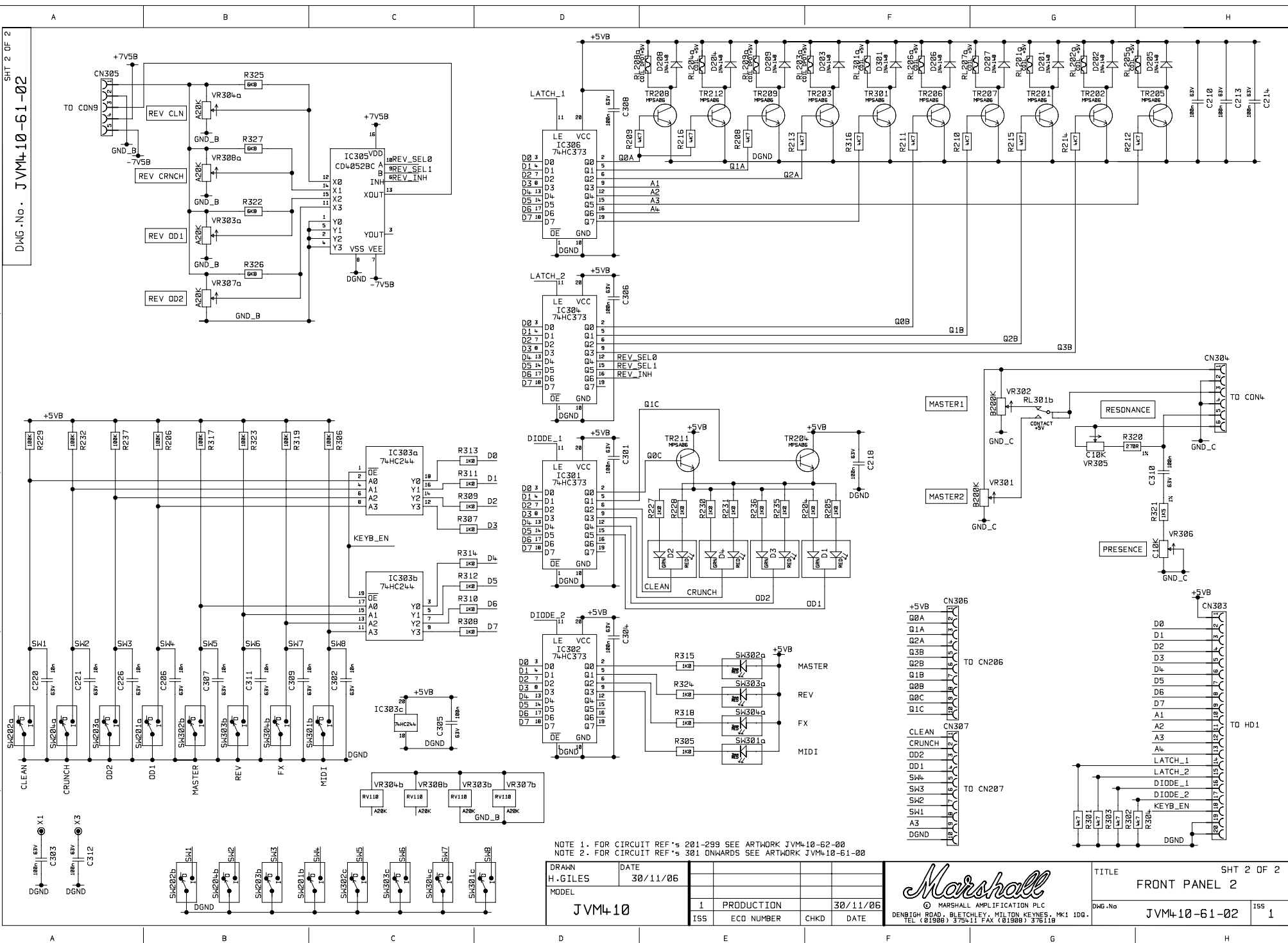
TITLE	POWER AMP / DI OUT	SHT 2 OF 2
DIAG. No	JVM4-10-60-02	ISS
		2

SHT 1 OF 2  
DWG.No. JVM410-61-02



NOTE 1. FOR CIRCUIT REF'S 201-299 SEE ARTWORK JVM410-62-00  
NOTE 2. FOR CIRCUIT REF'S 301 ONWARDS SEE ARTWORK JVM410-61-00

DRAWN H.GILES	DATE 30/11/06			ISS 1	PRODUCTION 30/11/06	CHKD DATE		TITLE	SHT 1 OF 2
		JVM410						FRONT PANEL 1	
							<small>© MARSHALL AMPLIFICATION PLC DENBIGH ROAD, BLETCHLEY, MILTON KEYNES, MK1 1DQ. TEL (01298) 375411 FAX (01298) 376110</small>		
								DWG.No	ISS
								JVM410-61-02	1



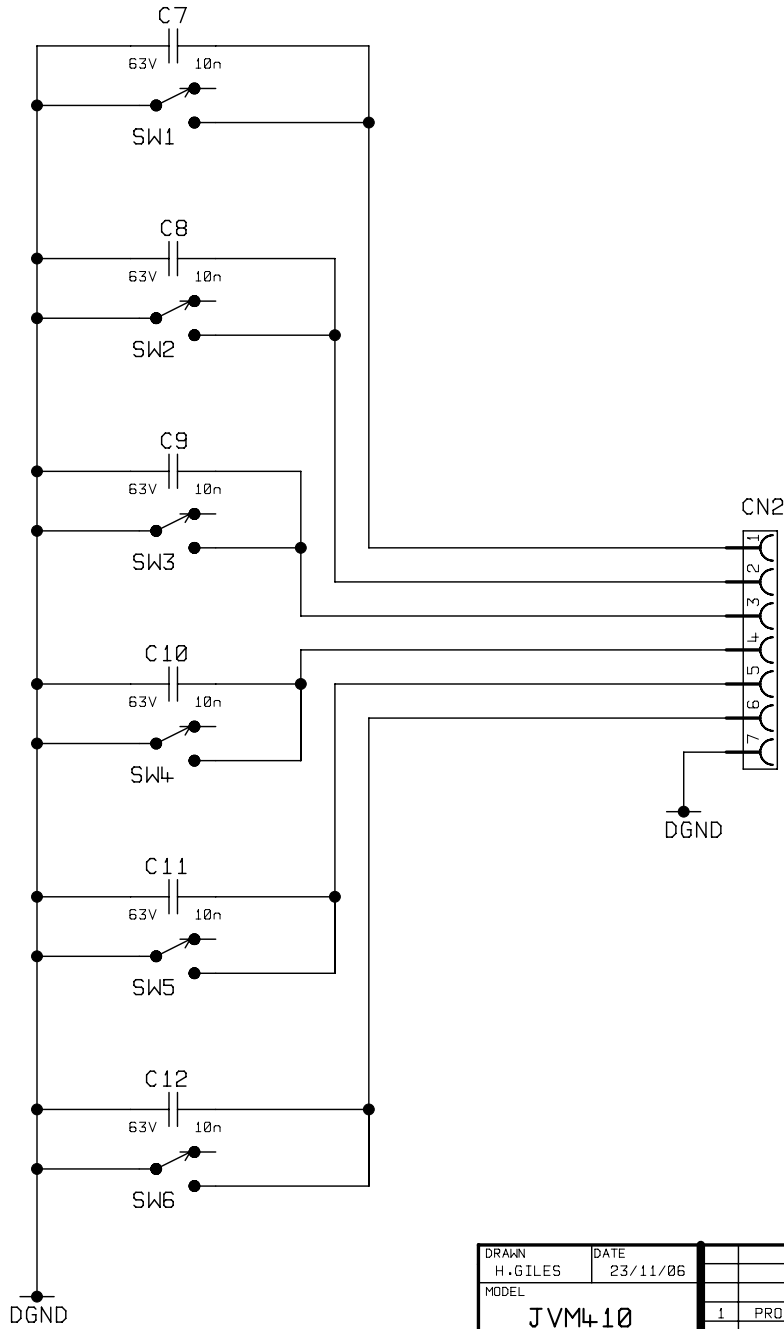
NOTE 1. FOR CIRCUIT REF'S 201-299 SEE ARTWORK JVM4-10-62-00  
 NOTE 2. FOR CIRCUIT REF'S 301 ONWARDS SEE ARTWORK JVM4-10-61-00

DRAWN H.GILES	DATE 30/11/06		
MODEL JVM4-10		1 ISS	PRODUCTION ECD NUMBER
		30/11/06 DATE	CHKD



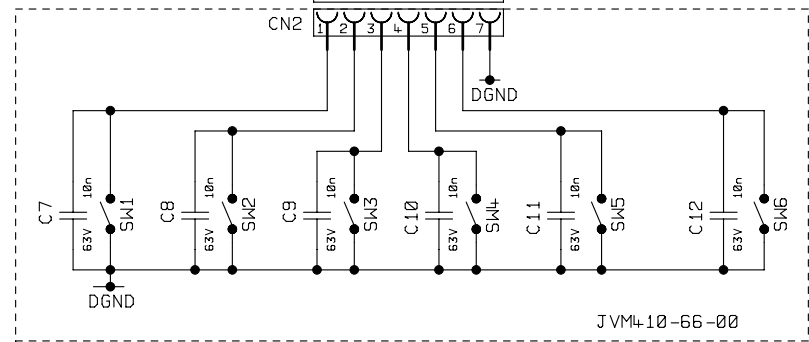
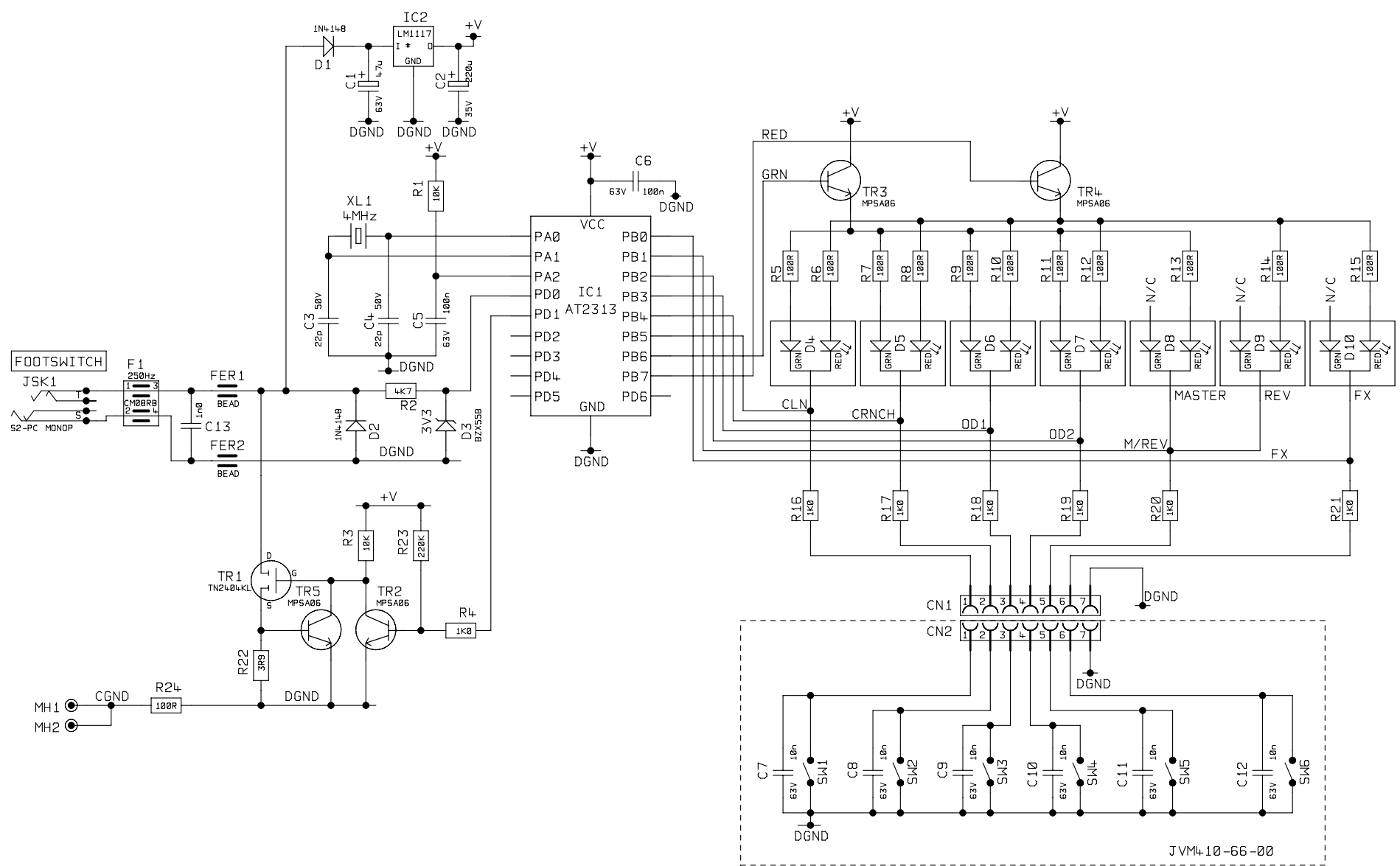
TITLE FRONT PANEL 2	SHT 2 OF 2
DIAG.No JVM4-10-61-02	ISS 1

DWG . No . J VM4-10-66-02



DRAWN H.GILES	DATE 23/11/06					 © MARSHALL AMPLIFICATION PLC DENBIGH ROAD BLETCHLEY MILTON KEYNES MK1 10Q TEL (01908) 375411 FAX (01908) 376110	TITLE SWITCH x 6 PCB CIRCUIT DIAGRAM	
MODEL J VM4-10		1	PRODUCTION	23/11/06			DWG.No JVM4-10-66-02	ISS 1

DWG.No. JVM4-10-67-02  
 SHT 1 OF 1



DRAWN H.GILES	DATE 23/11/06				TITLE SHT 1 OF 1 FOOTSWITCH
MODEL JVM4 10	2 2041 1 PRODUCTION S.A. ISS ECO NUMBER CHKD DATE	28/11/06 23/11/06	DWG.No JVM4-10-67-02		ISS 2

© MARSHALL AMPLIFICATION PLC  
 DENBIGH ROAD, BLETCHLEY, MILTON KEYNES, MK1 1DB.  
 TEL (01908) 375411 FAX (01908) 376118