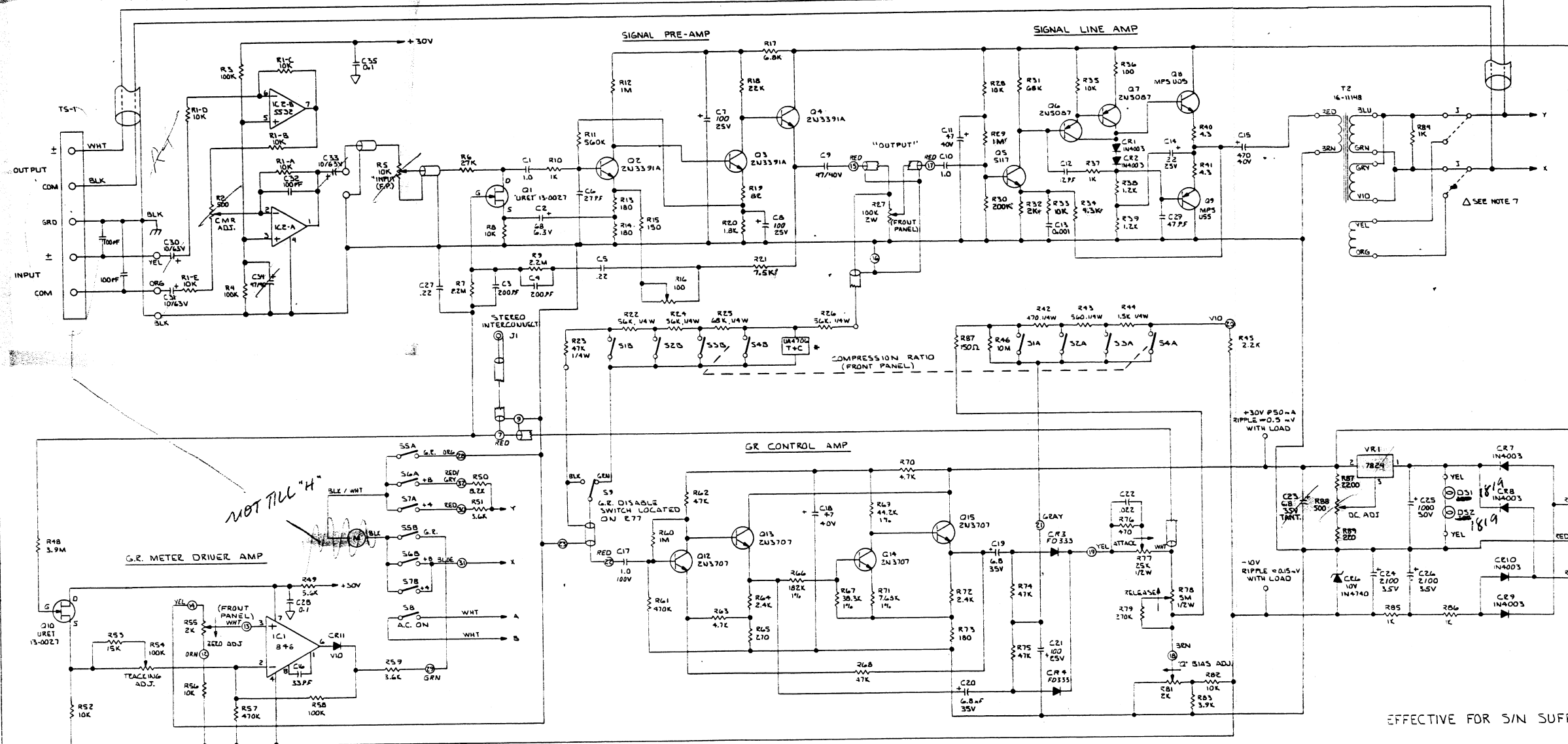


REV "G"

#7053 → 7651

CHANGES THIS REV



- NOTES: UNLESS OTHERWISE SPECIFIED
1. ALL RESISTOR VALUES ARE IN OHMS 1/2 W ± 5%
 2. ALL CAPACITOR VALUES ARE IN MICROFARADS
 3. SWITCHES ARE NORMALLY OPEN
 4. Q1 AND Q10 ARE SELECTED
 5. Q1, Q13, Q14 AND Q15 - H.F.E. 250 OR ABOVE
 6. Δ SYMBOL INDICATES FACTORY SET VALUE
 7. Δ OUTPUT SHOWN WIRED FOR STANDARD MODEL. DOTTED LINES SHOW ALTERNATE JUMPER POSITION FOR 60 OHM OUTPUT (EXPORT ONLY) GAIN REDUCED 10dB.

NOT TILL "H"

NOT TILL "H"

EFFECTIVE FOR S/N SUFFIX "G"

REV. I PER ECD-1176-024	1-29-50 R.P.M.	UNITED SOLID STATE INDUSTRIES	MODEL 1176-L-N
REV. H CHANGE FUSE VALUE	4-27-79 R.P.M.	LOS ANGELES CALIFORNIA	L.E. 1119141
REV. G CHANGE CIRCUITRY	1176-L-N SUFFIX F BECOMES SUFFIX "G" 3-24-79 R.P.M.	LOS ANGELES CALIFORNIA	L.E. 1119141