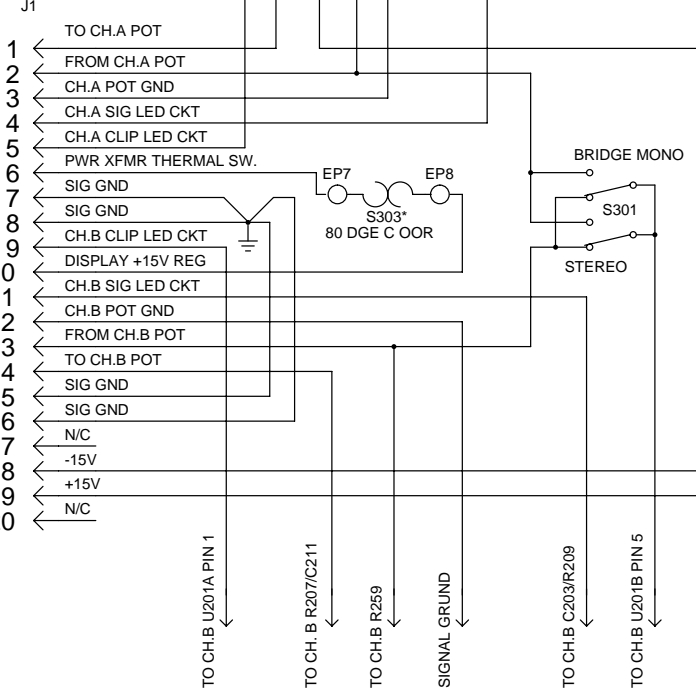
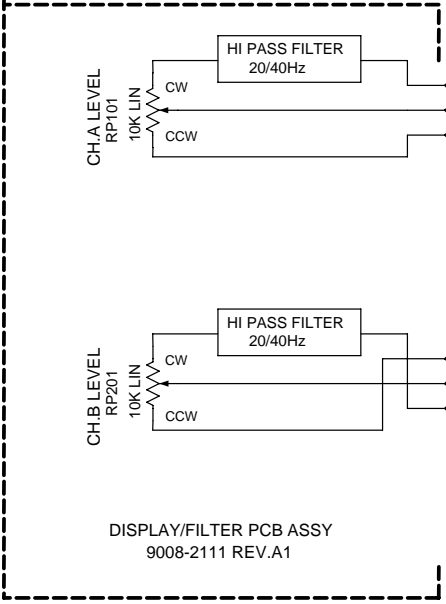
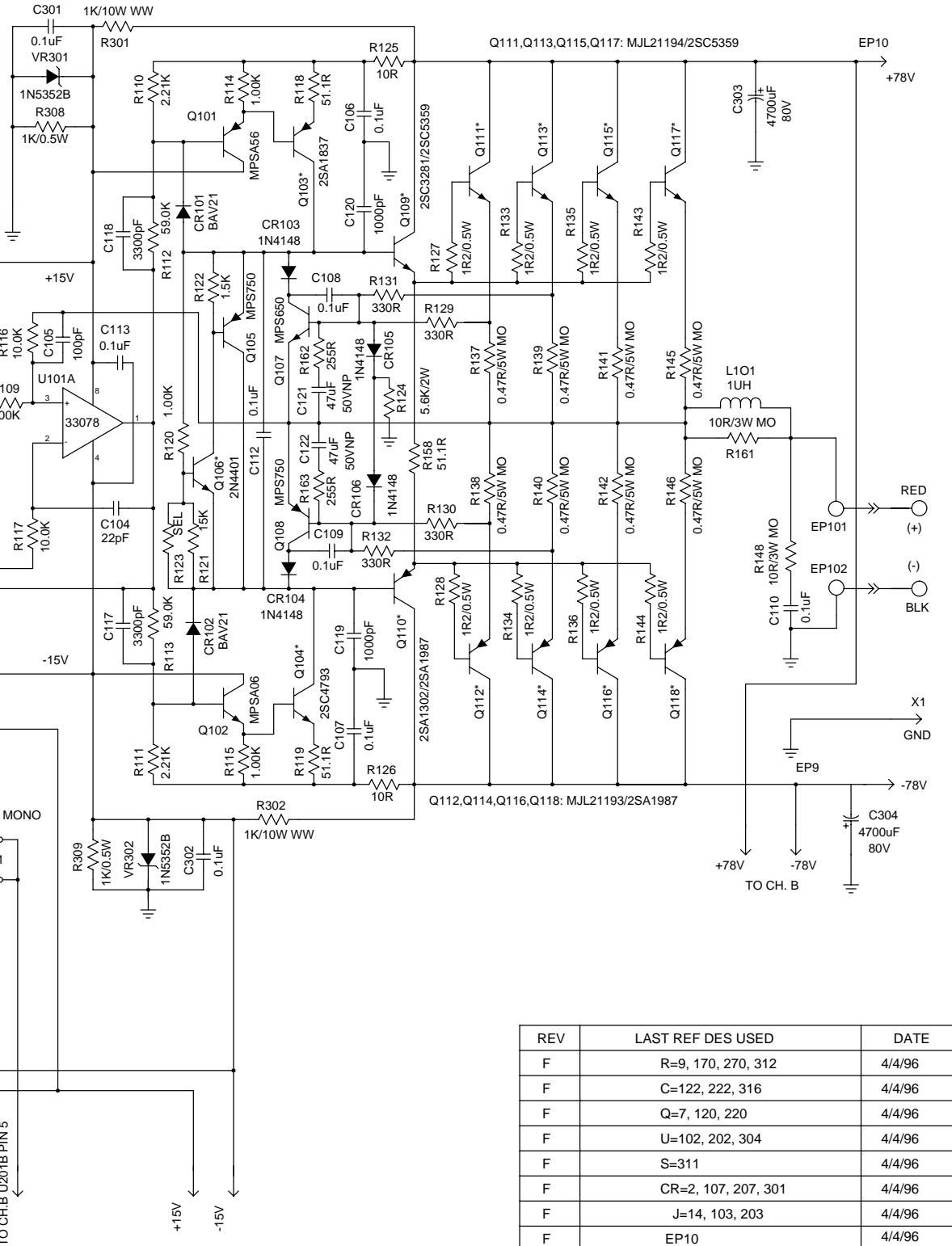


CHANNEL A



10. PCB'S 9007-2010 REV.G, 9007-2111 REV.A1 ARE USED.
9. R123 SELECTED FOR 10mA IN EACH OUTPUT XSTR @ IDLE.
8. ALL * MARK PARTS ARE THERMAL CONTACT WITH HEATSINK.
7. REFER TO OTHER SCHEMATICS FOR REMAINING CIRCUITS.
6. REFER TO PARTS LIST FOR COMPONENT DETAILS.
5. ALL CAPACITORS LESS THAN 1uF ARE MONOLITHIC CERAMIC EXCEPT C106,C107,C110,C117-120 BEING 100V METALLIZED MYLAR.
4. ALL CAPACITORS ARE 100V RATED EXCEPT WHERE NOTED.
3. 1W AND GREATER ARE METAL OXIDE OR WIREWOUND.
2. RESISTORS WITH 2 SIGNIFICANT DIGITS ARE 1/4W AND 5% CARBON FILM.
1. RESISTORS WITH 3 SIGNIFICANT DIGITS ARE 1/4W AND 1% METAL FILM.

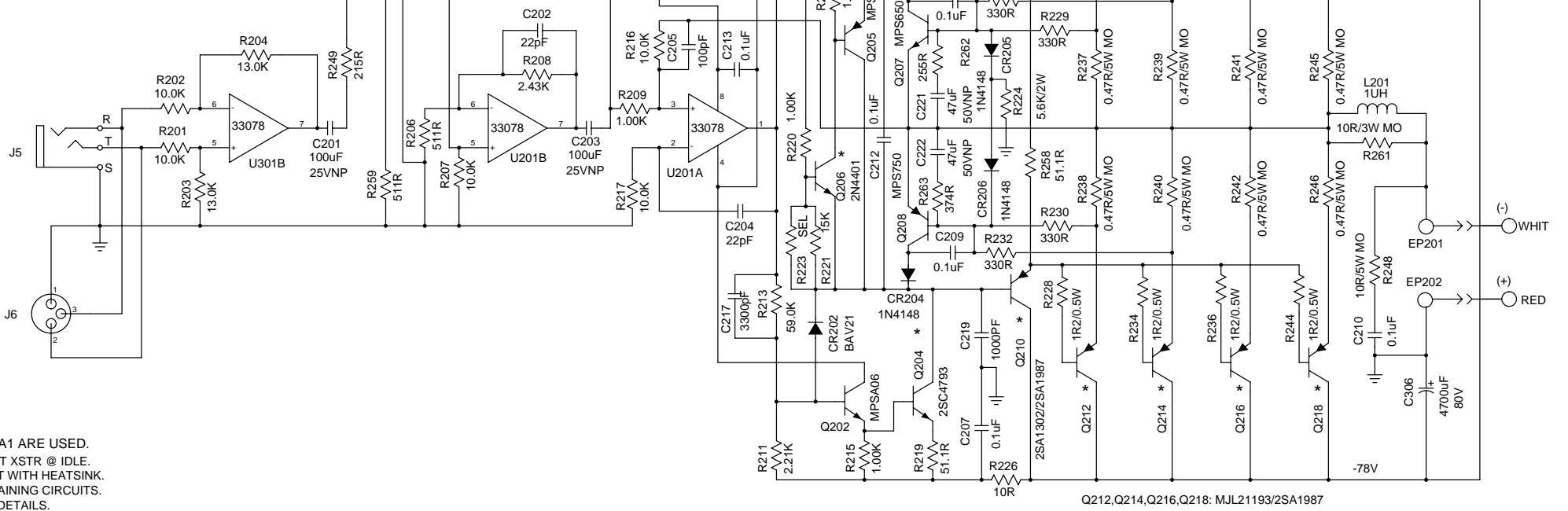
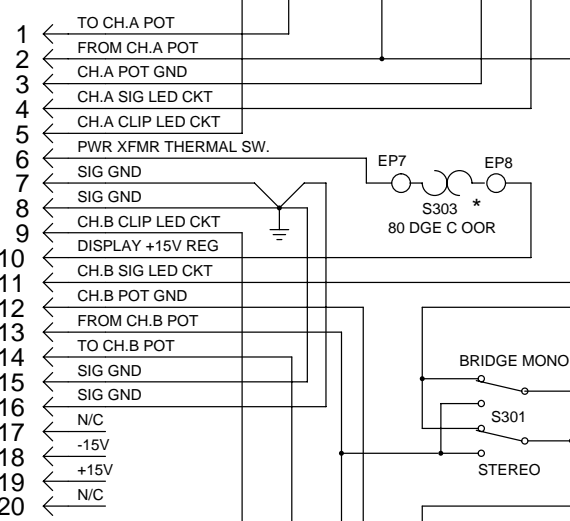
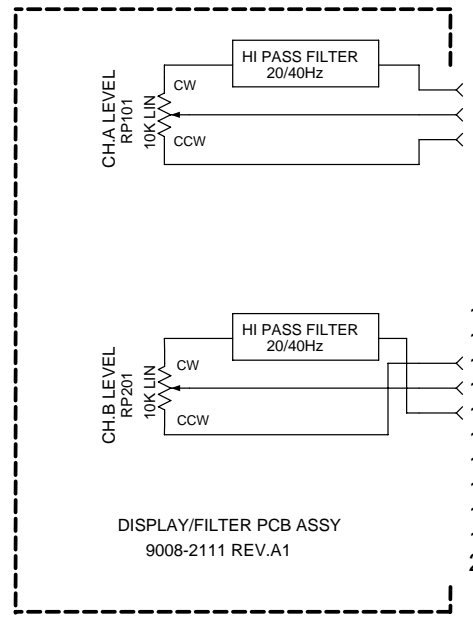
NOTES: UNLESS OTHERWISE SPECIFIED



REV	LAST REF DES USED	DATE
F	R=9, 170, 270, 312	4/4/96
F	C=122, 222, 316	4/4/96
F	Q=7, 120, 220	4/4/96
F	U=102, 202, 304	4/4/96
F	S=311	4/4/96
F	CR=2, 107, 207, 301	4/4/96
F	J=14, 103, 203	4/4/96
F	EP10	4/4/96

Title PS 2 AMPLIFIERS SCHEMATIC CHANNEL A		
Size C	Number 9600-PS2	Rev G
Date 11-8-00	Drawn by MING SHU	
Filename PS2-G.S01	Sheet 1 of 2	

REV	LAST REF DES USED	DATE
F	R=9, 170, 270, 312	4/4/96
F	C=122, 222, 316	4/4/96
F	Q=7, 120, 220	4/4/96
F	U=102, 202, 304	4/4/96
F	S=311	4/4/96
F	CR=107, 207, 301	4/4/96
F	J=14, 103, 203	4/4/96
F	EP10	4/4/96



10. PCB'S 9007-2010 REV.G, 9007-2111 REV.A1 ARE USED.
- R223 SELECTED FOR 10mA IN EACH OUTPUT XSTR @ IDLE.
 - ALL * MARK PARTS ARE THERMAL CONTACT WITH HEATSINK.
 - REFER TO OTHER SCHEMATICS FOR REMAINING CIRCUITS.
 - REFER TO PARTS LIST FOR COMPONENT DETAILS.
 - ALL CAPACITORS LESS THAN 1uF ARE MONOLITHIC CERAMIC EXCEPT C206,C207,C210,C217-220 BEING 100V METALLIZED MYLAR.
 - ALL CAPACITORS ARE 100V REATED EXCEPT WHERE NOTED.
 - 1W AND GREATER ARE METAL OXIDE OR WIREWOUND.
 - RESISTORS WITH 2 SIGNIFICANT DIGITS ARE 1/4W AND 5% CARBON FILM.
 - RESISTORS WITH 3 SIGNIFICANT DIGITS ARE 1/4W AND 1% METAL FILM.

NOTES: UNLESS OTHERWISE SPECIFIED

Title PS 2 AMPLIFIER SCHEMATIC CHANNEL B		
Size C	Number 9600-PS2	Rev G
Date 11-8-00	Drawn by MING SHU	
Filename PS2-G.S02	Sheet 2 of 2	

1
2
3
4

1
2
3
4