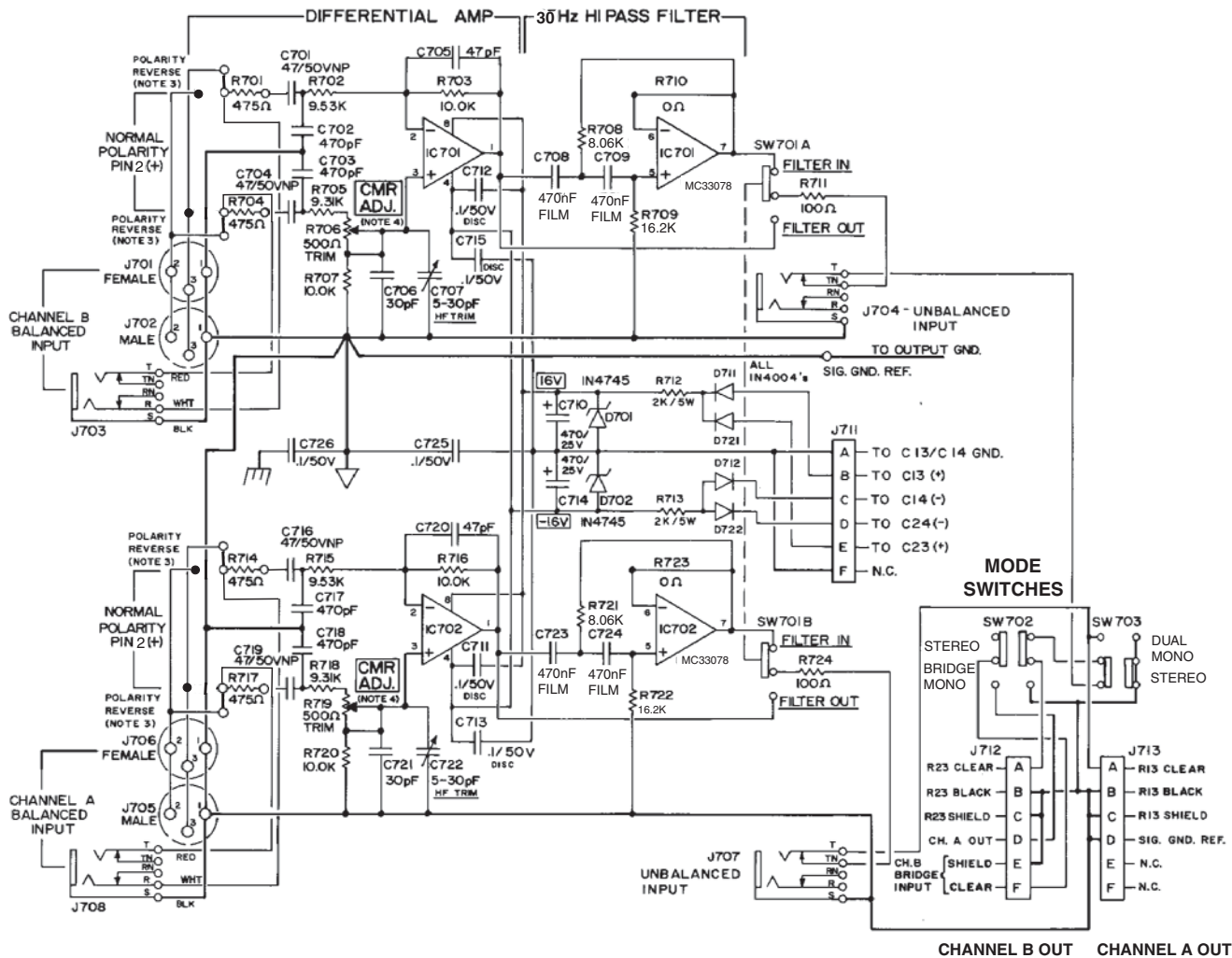


REVISIONS			
LTR	DESCRIPTION	DATE	APPROVED
A	REVISE J703 B J708 SO TIP REMAINS HOT WITH PIN 2 HOT ON THE XLR'S	12-15-89	RPJ



7. PINS D AND E OF J711 USED ONLY IN DUAL POWER SUPPLY MODELS.
8. TRS 1/4-INCH PHONE JACKS ARE TRACE-WIRED AS PER SCHEMATIC. THESE MAY BE REWIRED AS REQUIRED.
9. IC 701, 702 ARE MC33078 LOW-NOISE OP AMP IC.
10. CMR ADJUSTMENTS R706/C707 AND R718/C722 REQUIRE HI RESOLUTION SWEEPING SPECTRUM ANALYZER FOR BEST WIDE-BAND NULL SETTING. (HP 3580A OR EQUIV)
11. INPUT POLARITY IS CHANGED BY REMOVING THE 'X' CROSSED JUMPERS ON PCB AND RESTORING THE CUT TRACES. 4 PLCS. ONLY XLR'S AFFECTED.
12. ALL CAPACITORS IN μ F/WORKING VOLTS; NP IS NON-POLAR ALUMINUM ELECTROLYTIC.
13. ALL RESISTORS W/3 SIGNIFICANT DIGITS (X.XX Ω) ARE 1/4W 1% METAL FILM. (R711, 724 ARE 1/4W 5% CARBON FILM)

NOTES: UNLESS OTHERWISE SPECIFIED.

UNLESS OTHERWISE SPECIFIED
DIMENSIONING AND TOLERANCING
PER USASI Y14.5.
DIMENSIONS ARE IN INCHES
AND APPLY AFTER PLATING.
TOLERANCE ON DECIMALS:
.2X = ± .01 .30X = ± .005
TOLERANCE ON ANGLES = ± 0° 30'
BREAK SHARP EDGES .010 MAX.
SURFACE ROUGHNESS 125 ✓

DRAWN: E. Wenzel 6-14-89
CHECK: S. Solberg 6-24-89
PROJECT ENG: E. Wenzel 6-27-89

EQU SYSTEMS		BIO SYSTEMS 13130 SOUTH YUKON AVE. HAWTHORNE, CA 90250 (213) 973-8060	
TITLE		SCHEMATIC/PCB LAYOUT OF STEREO ACTIVE BAL. INPUT	
SIZE	D	DRAWING NUMBER	9600-0762
SCALE		REV	B
DO NOT SCALE DRAWING		SHEET OF	