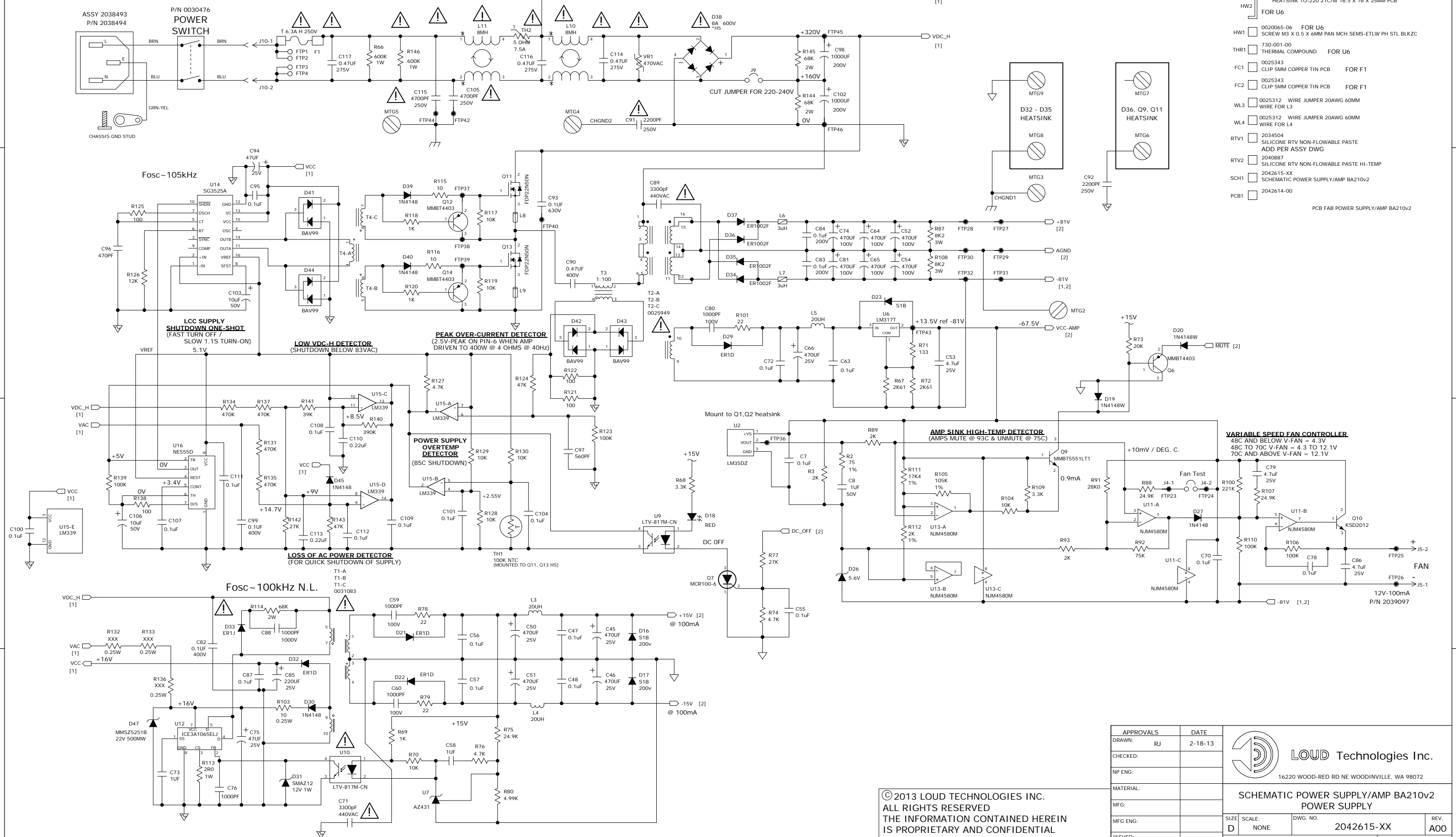


100-120VAC or 220-240VAC INPUT

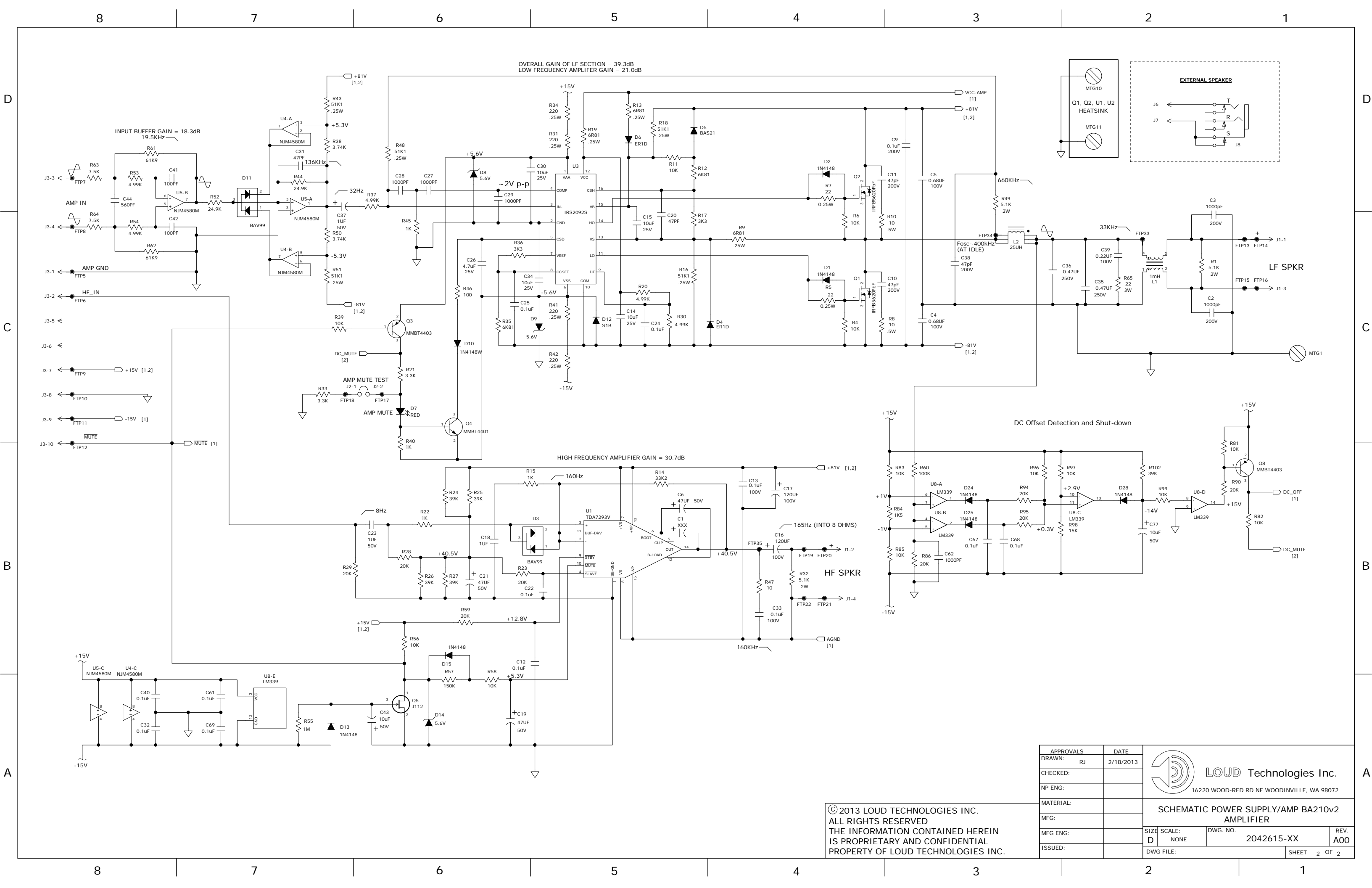



- 0028216-00 HEATSINK TO-220 21C/W 16.5 X 16 X 25MM PCB FOR U6
- 0020065-06 FOR U6 SCREW M3 X 0.5 X 6MM PAN MCH SEMS-ETLW PH STL BLKZC
- 730-001-00 THERMAL COMPOUND FOR U6
- 0025343 FOR F1 CLIP 5MM COPPER TIN PCB
- 0025312 FOR F1 WIRE JUMPER 20AWG 60MM WIRE FOR L3
- 0025312 FOR F1 WIRE JUMPER 20AWG 60MM WIRE FOR L4
- 2034504 RTV1 SILICONE RTV NON-FLOWABLE PASTE ADD PER ASSY DWG
- 2040887 RTV2 SILICONE RTV NON-FLOWABLE PASTE HI-TEMP
- 2042615-XX SCH1 SCHEMATIC POWER SUPPLY/AMP BA210v2
- 2042614-00 PCB1 PCB FAB POWER SUPPLY/AMP BA210v2

APPROVALS		DATE
DRAWN:	RJ	2-18-13
CHECKED:		
NP ENG:		
MATERIAL:		
MFG:		
MFG ENG:		
ISSUED:		

		16220 WOOD-RED RD NE WOODINVILLE, WA 98072	
		SCHEMATIC POWER SUPPLY/AMP BA210v2 POWER SUPPLY	
SIZE	SCALE: NONE	DWG. NO.	REV. A00
D		2042615-XX	
DWG FILE: 2042615-XX-A00.sch		SHEET 1 OF 2	

© 2013 LOUD TECHNOLOGIES INC.
 ALL RIGHTS RESERVED
 THE INFORMATION CONTAINED HEREIN
 IS PROPRIETARY AND CONFIDENTIAL
 PROPERTY OF LOUD TECHNOLOGIES INC.



APPROVALS	DATE	 LOUD Technologies Inc. 16220 WOOD-RED RD NE WOODINVILLE, WA 98072	
DRAWN: RJ	2/18/2013		
CHECKED:			
NP ENG:			
MATERIAL:			
MFG:		SCHEMATIC POWER SUPPLY/AMP BA210v2 AMPLIFIER	
MFG ENG:			SIZE SCALE: NONE DWG. NO. 2042615-XX REV. A00
ISSUED:			DWG FILE: SHEET 2 OF 2

© 2013 LOUD TECHNOLOGIES INC.
 ALL RIGHTS RESERVED
 THE INFORMATION CONTAINED HEREIN
 IS PROPRIETARY AND CONFIDENTIAL
 PROPERTY OF LOUD TECHNOLOGIES INC.