

HOW TO ORDER REPLACEMENT PARTS

PART ORDERS MUST CONTAIN:

1. Part Number and Description.
2. Chassis Number.
3. Model Number.

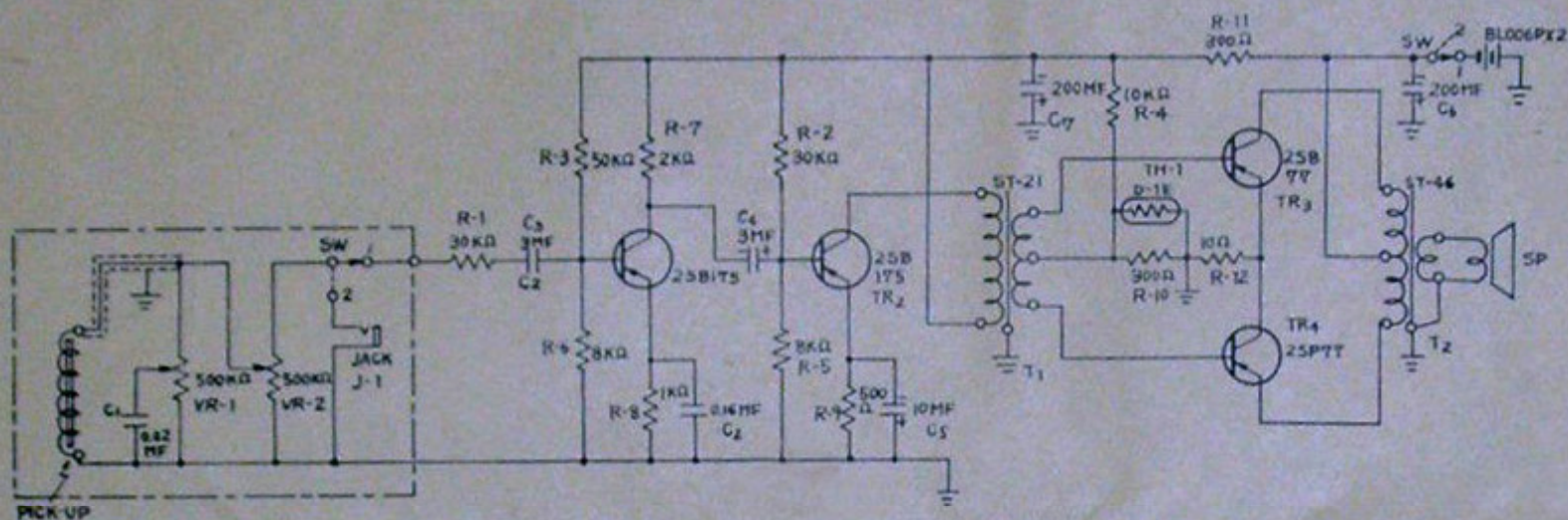
WHERE TO ORDER:

Order from any Sears, Roebuck and Co.,
Retail or Mail Order Store. Prices are
available upon application.

USED IN MODEL:

1487

SCHEMATIC DIAGRAM



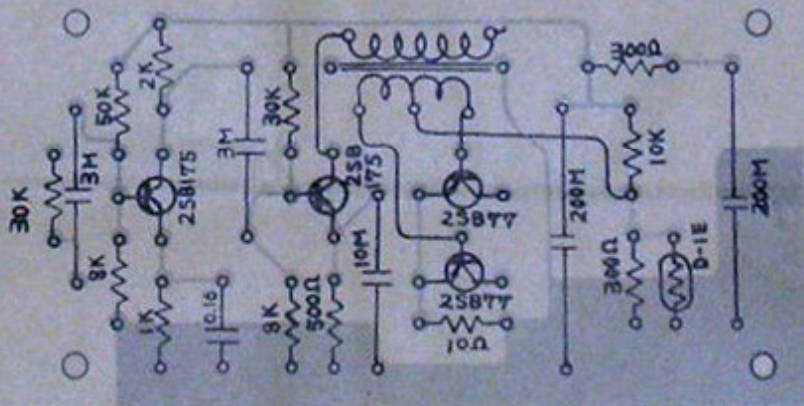
- KEY**
- R1 - 30 K Ω
 - R2 - 30 K Ω
 - R3 - 50 K Ω
 - R4 - 10 K Ω
 - R5 - 8 K Ω
 - R6 - 8 K Ω
 - R7 - 2 K Ω
 - R8 - 1 K Ω
 - R9 - 500 Ω

- KEY**
- R10 - 300 Ω
 - R11 - 300 Ω
 - R12 - 10 Ω
 - C1 - 0.02 MFD
 - C2 - 0.16 MFD
 - C3 - 3 MFD
 - C4 - 3 MFD
 - C5 - 10 MFD
 - C6 - 200 MFD

- KEY**
- C7 - 200 MFD
 - TH1 - THERMISTOR D-1E
 - TR1 - 2SB 175
 - TR2 - 2SB 175
 - TR3 - 2SB 77
 - TR4 - 2SB 77
 - T1 - PP POWER TRANS.
 - T2 - PP OUTPUT TRANS.

- KEY**
- VR1 - 500 K Ω
 - TONE CONT.
 - VR2 - 500 K Ω
 - VOL. CONT.
 - J1 - OUTPUT JACK
 - SW - SLIDE SWITCH
 - POWER SWITCH
 - P1 - MAGNETIC PICK-UP

CIRCUIT BOARD
WIRING DIAGRAM



SEARS' TECHNICIAN ONLY

Refer to the Div. 57 Authorized Price List 381.00 for current selling prices, availability and ordering information.

File this page in numerical order in Section A in the Div 57 Radio Technical Manual.