

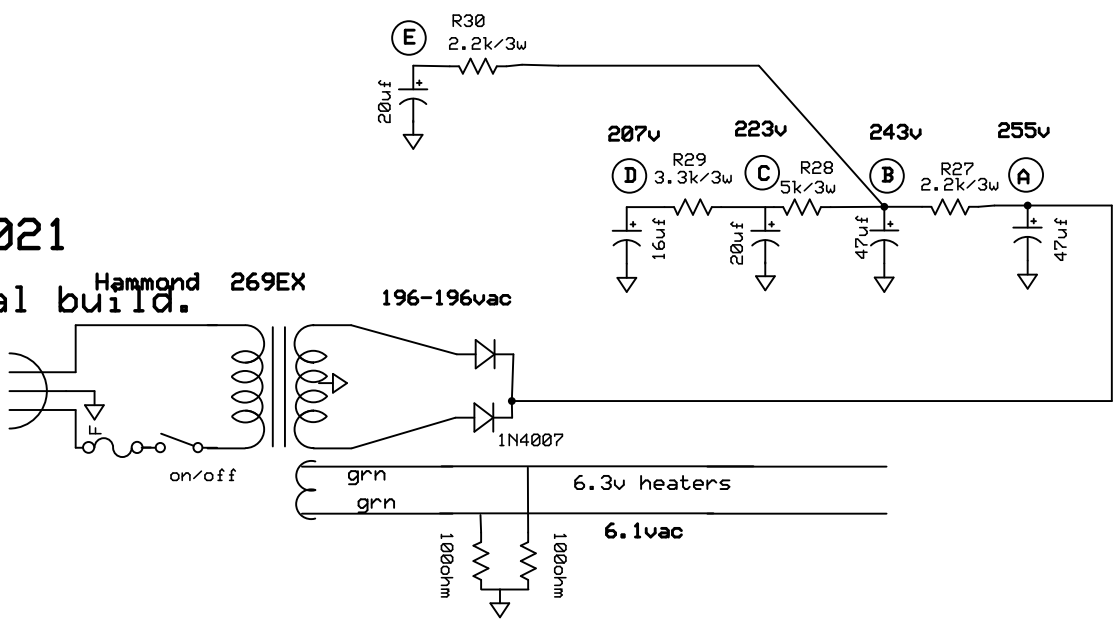
# SoLow Watt 12A\_7

By Tubenit / 10thTx 2012

As built by Pullshocks Aug 2021

Voltages are from Tubenit's original build.

7-1-2020 Node E added for V1



July 11 2021 update