



# Service Manual

Created: 16 July 2015



## BC30-212

### 30-Watt Class-A Tube Combo with Tube Rectifier

Specifications .....	2
PCB Schematic .....	3
Parts List .....	7
Exploded Drawing .....	22

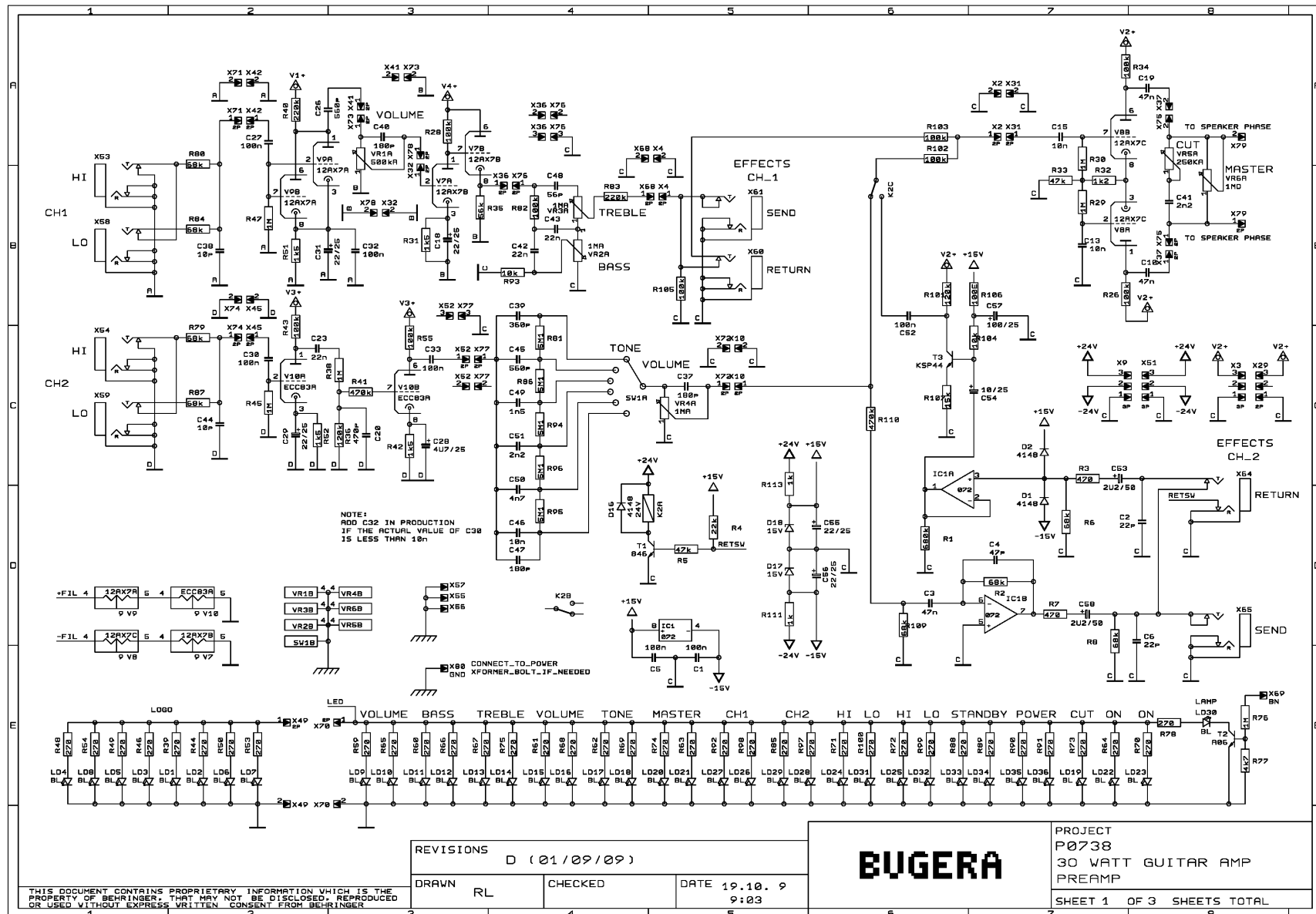
[bugera-amps.com](http://bugera-amps.com)

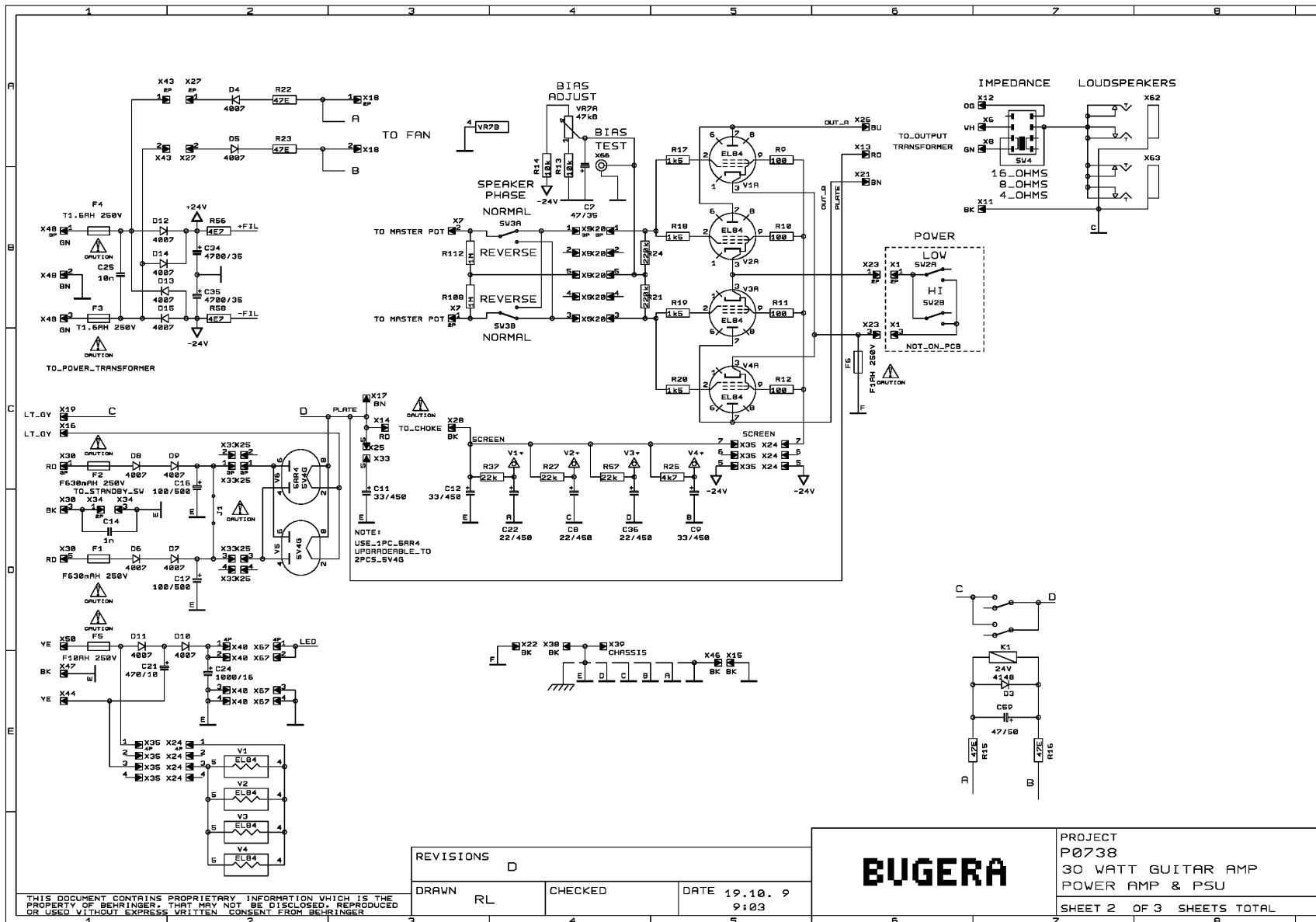


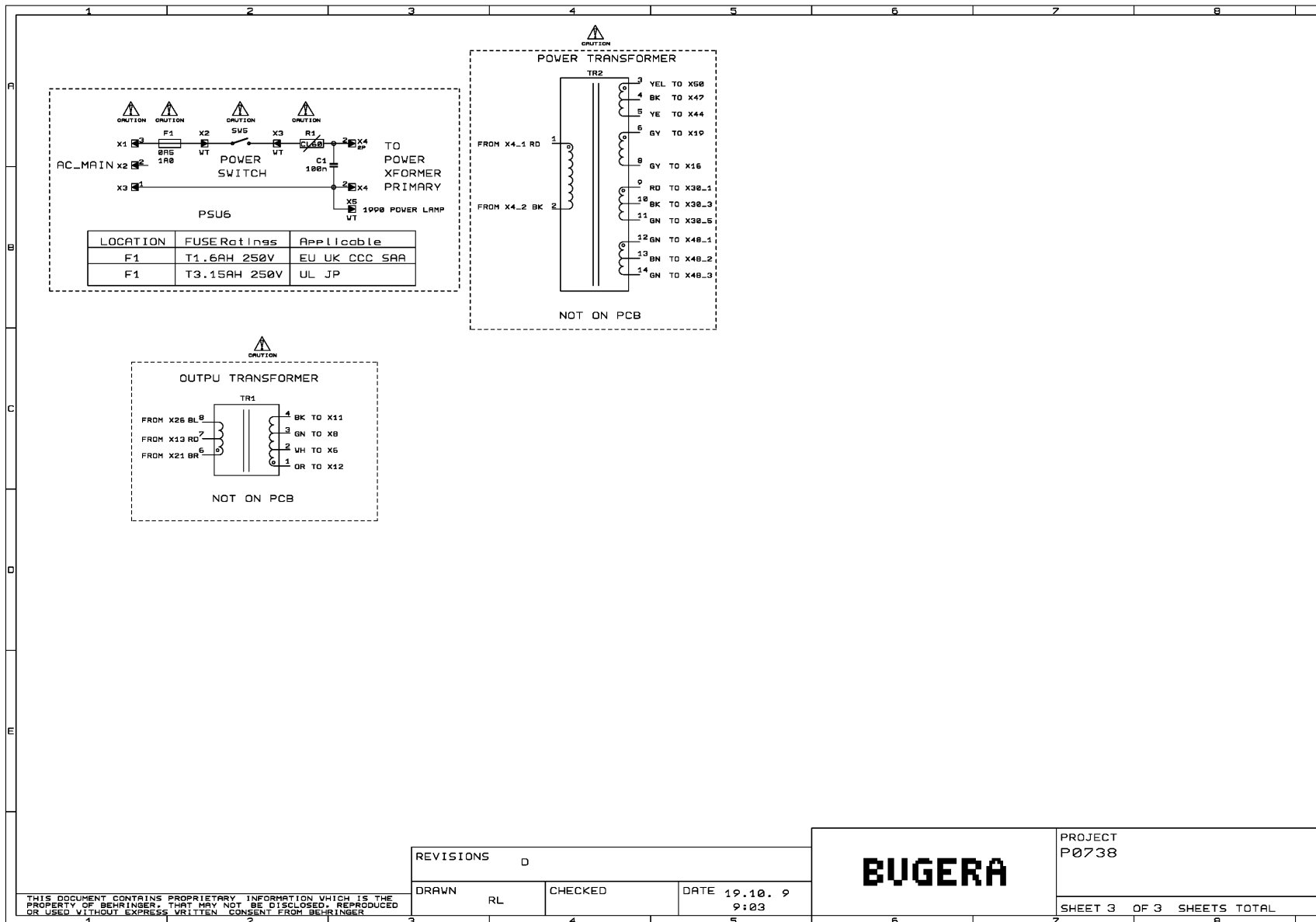
# BC30-212

## Specifications

- Hand-built 30-Watt Class-A guitar combo driven by 4 x EL84 tubes
- Mind-blowing distortion with terrifying punch and breathtaking vintage clean that breathes with headroom
- True tube rectifier gives you the flexibility of using one 5AR4 for a explosive attack or two 5V4s (not included) for a smooth and round response
- Channel 1 features two 12AX7s creating a parallel triode circuit and an interactive EQ with amazing responsiveness
- Channel 2 sports a high gain channel based on a specially selected 12AX7 tube coupled to a 6-position tone switch
- Power amp section features a Cut control for rolling off the high end plus a Master volume control
- Power switch reduces output power to 15 Watts for more sound variation
- Speaker Reverse switch reverses the direction of the speaker to influence the amount of distorted sound
- Each channel offers an independent effects loop
- Illuminated front panel and logo for a super cool look
- Impedance switch (4, 8 and 16 Ohms) to match virtually any speaker cabinet
- 3-Year Warranty Program\*
- Designed and engineered by BUGERA Germany



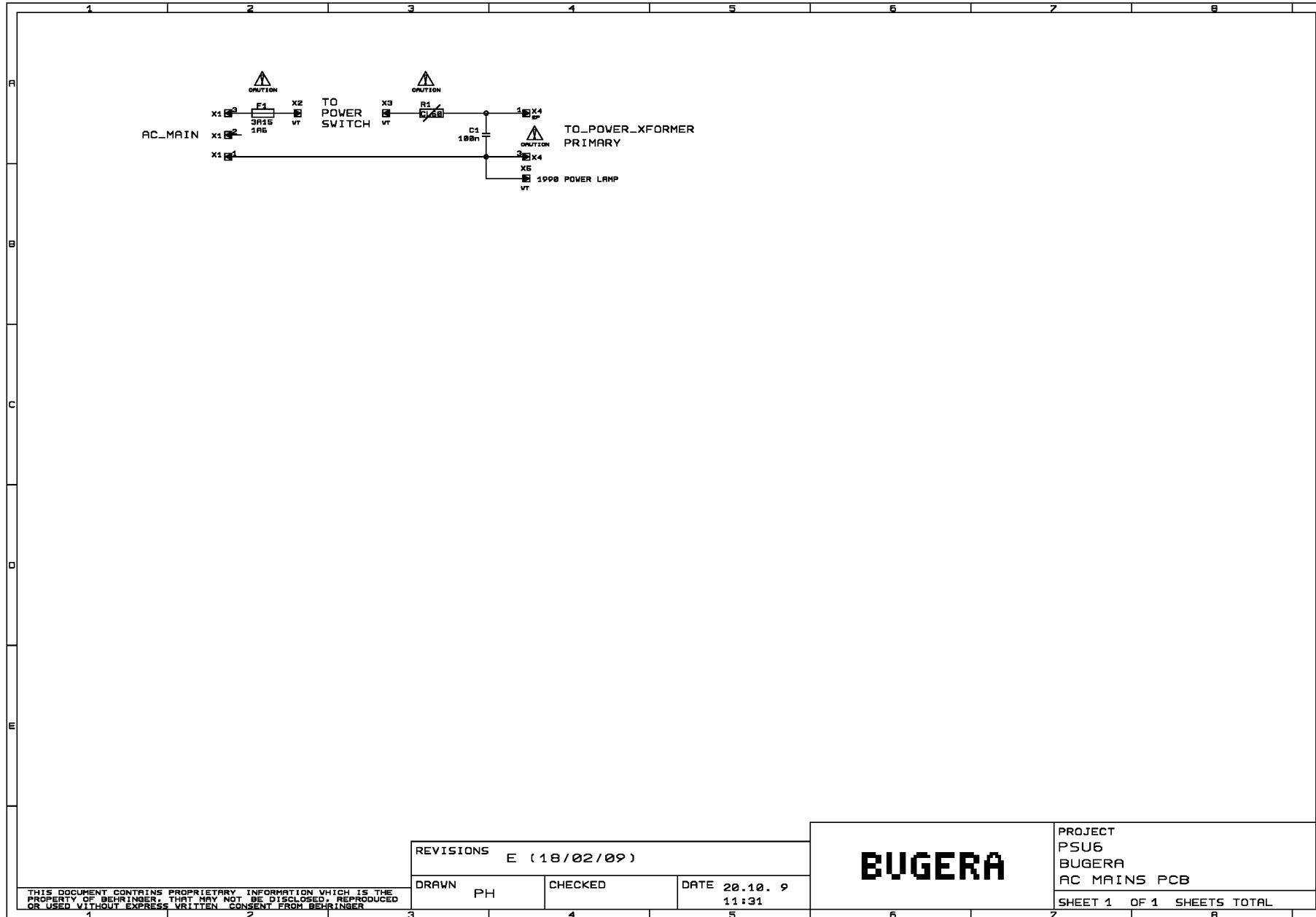




THIS DOCUMENT CONTAINS PROPRIETARY INFORMATION WHICH IS THE PROPERTY OF BEHRINGER. THAT MAY NOT BE DISCLOSED, REPRODUCED OR USED WITHOUT EXPRESS WRITTEN CONSENT FROM BEHRINGER

REVISIONS		D
DRAWN	CHECKED	DATE 19.10.9
RL		9:03

<b>BUGERA</b>	PROJECT P0738
	SHEET 3 OF 3 SHEETS TOTAL



REVISIONS		E (18/02/09)	
DRAWN	PH	CHECKED	DATE 20.10. 9 11:31

**BUGERA**

PROJECT	PSU6
BUGERA	AC MAINS PCB
SHEET 1 OF 1 SHEETS TOTAL	

THIS DOCUMENT CONTAINS PROPRIETARY INFORMATION WHICH IS THE PROPERTY OF BEHRINGER. THAT MAY NOT BE DISCLOSED, REPRODUCED OR USED WITHOUT EXPRESS WRITTEN CONSENT FROM BEHRINGER.

## Hi Pcb Assemblies

	Quantity	Unit	S.Sku	M.Sku	Description	Reference Designators	Notes
1	1.0000	PC	Q05-73801-09553	A05-73801-09553	PCB ASSEMBLY;P0738;PCB:01;FRONT;REV:D;BLACK;HAND INSERT;NO:901090		
2	1.0000	PC	Q05-73802-09554	A05-73802-09554	PCB ASSEMBLY;P0738;PCB:02;POWER;REV:D;BLACK HIGH VOLTAGE;HAND INSERT;NO:902090		
3	1.0000	PC		A05-73803-00105	PCB ASSEMBLY;P0738;3;E;HI;LOGO;BK		
4	1.0000	PC	Q05-73804-09556	A05-73804-09556	PCB ASSEMBLY;P0738;PCB:04;PRE-AMP;REV:D;BLACK HIGH VOLTAGE;HAND INSERT;NO:904090		
5	1.0000	PC		A05-73805-09557	PCB ASSEMBLY;P0738;PCB:05;REAR;REV:D;BLACK;HAND INSERT;NO:905090		
6	1.0000	PC		A05-73806-09558	PCB ASSEMBLY;P0738;PCB:06;SPEAKER;REV:D;BLACK;HAND INSERT;NO:906090		
7	1.0000	PC	Q05-00000-07384	A05-00000-07384	PCB ASSEMBLY;PSU6;BUGERA;EU-UK-CCC-SAA;REV:E;HAND INSERT;NO.903040		(EU, UK, SAA, AR, RU)
8	1.0000	PC	Q05-00000-07385	A05-00000-07385	PCB ASSEMBLY;PSU6;BUGERA;JP-UL;REV:E;HAND INSERT;NO.903040		(UL, JP, BR, HM, SH)

Cable

	Quantity	Unit	S.Sku	M.Sku	Description	Reference Designators	Notes
1	1.0000	PC		A81-00000-01100	WIRE HARNESS;AWG:26;UL1533;2 MM;2;COMMON;50 MM;GREY	[P0738:02: {1.0}(X45)]	
2	1.0000	PC		A81-00000-02255	WIRE HARNESS;AWG:26;UL1007;2 MM;COMMON;180 MM;RD/BK;X-P1018;HM-02	[P0738:03: {1.0}(X1)]	
3	1.0000	PC		A81-00000-02258	WIRE HARNESS;AWG:26;UL1007;2 MM;COMMON;270 MM;RD/BK;X-P1018;HF-02	[P0738:01: {1.0}(X70)]	
4	1.0000	PC		A81-00000-02260	WIRE HARNESS;AWG:26;UL1007;2 MM;COMMON;480 MM;RD/BK;X-P1018;HF-02	[P0738:04: {1.0}(X18)]	
5	1.0000	PC		A81-00000-04678	WIRE HARNESS;AWG:18;UL1015;3.96 MM;3;COMMON;150 MM;RD/BK		
6	1.0000	PC		A81-00000-04679	WIRE HARNESS;AWG:26;UL1533;2 MM;2;COMMON;60 MM;BLACK	[P0738:02: {1.0}(X52)]	
7	1.0000	PC		A81-00000-04680	WIRE HARNESS;AWG:26;UL2468;2 MM;4;COMMON;60 MM;ALL BLACK PIN1 RED	[P0738:02: {1.0}(X40)]	
8	1.0000	PC		A81-00000-04681	WIRE HARNESS;AWG:26;UL1533;2 MM;3;COMMON;80 MM;BLACK	[P0738:02: {1.0}(X36)]	
9	1.0000	PC		A81-00000-04682	WIRE HARNESS;AWG:26;UL2468;2 MM;3;COMMON;120 MM;PIN1 MARKING	[P0738:05: {1.0}(X3)]	
10	2.0000	PC		A81-00000-04683	WIRE HARNESS;AWG:26;UL2468;2 MM;2;COMMON;160 MM;RD/BK	[P0738:02: {2.0}(X37,X43)]	
11	1.0000	PC		A81-00000-04684	WIRE HARNESS;AWG:26;UL2468;2 MM;3;COMMON;220 MM;ALL BLACK PIN1 RED	[P0738:05: {1.0}(X9)]	
12	1.0000	PC		A81-00000-04685	WIRE HARNESS;AWG:18;UL1015;3.96 MM;3;COMMON;230 MM;RD/BK		
13	1.0000	PC		A81-00000-04686	WIRE HARNESS;AWG:26;UL2468;2 MM;2;COMMON;250 MM;RD/BK	[P0738:05: {1.0}(X7)]	
14	1.0000	PC		A81-00000-04690	WIRE HARNESS;AWG:18;UL1015;3.96 MM;5;COMMON;60 MM;ALL BLACK PIN1 RED	[P0738:05: {1.0}(X5)]	
15	1.0000	PC		A81-00000-04691	WIRE HARNESS;AWG:18;UL1015;3.96 MM;5;COMMON;120 MM;ALL BLACK PIN1 RED	[P0738:02: {1.0}(X33)]	
16	1.0000	PC		A81-00000-04692	WIRE HARNESS;AWG:18;UL1015;3.96 MM;7;COMMON;190 MM;ALL BLACK PIN1 RED	[P0738:02: {1.0}(X35)]	
17	1.0000	PC		A81-00030-32002	CABLE;LENGTH:150mm;POLES:3;AWG:18;UL1015;ONE SIDE 7mm STRIP/TINNED;PIN2 NO CONNECTION		
18	0.0000	PC		A81-06070-52042	WIRE HARNESS;LENGTH:60mm;AWG:18;P:3mm96;UL1015;HOUSING - BOARD IN CONNECTOR;POLES:5;PIN1 RED/OTHERS BLK;PIN 2 & 4 HAS NO CONNECTION	[P0738:05: {0.0}(X5)]	
19	1.0000	PC		A81-09030-26800	WIRE HARNESS;LENGTH:90mm;ZEE;AWG:26;P:2mm;PIN 2 IS SHIELDED;HOUSING - BOARD IN CONNECTOR;POLES:2;PIN1 RD/OTHERS BK;SHIELDED_01	[P0738:02: {1.0}(X31)]	
20	1.0000	PC		A81-12030-26845	WIRE HARNESS;LENGTH:120mm;ZEE;AWG:26;POLES:2;HOUSING - BOARD IN CONNECTOR;P:2mm;PIN 2 IS SHIELDED;PIN1 RED/OTHERS BLK;SHIELDED@	[P0738:02: {1.0}(X41)]	
21	0.0000	PC		A81-12070-52042	WIRE HARNESS;LENGTH:120mm;AWG:18;P:3mm96;UL1015;HOUSING - BOARD IN CONNECTOR;POLES:5;PIN1 RED/OTHERS BLK;PIN 2 & 4 HAS NO CONNECTION	[P0738:02: {0.0}(X33)]	
22	0.0000	PC		A81-12130-36042	WIRE HARNESS;LENGTH:120mm;AWG:26;P:2mm;HOUSING-BOARD IN CONNECTOR;POLES:3;PIN2 NO CONNECTION;PIN1 RED/OTHERS BLK	[P0738:05: {0.0}(X3)]	
23	1.0000	PC		A81-14030-26842	WIRE HARNESS;LENGTH:140mm;ZEE;AWG:26;POLES:2;PIN 2 IS SHIELDED;HOUSING - BOARD IN CONNECTOR;P:2mm;PIN1 RD/OTHERS BK	[P0738:02: {1.0}(X42)]	
24	1.0000	PC		A81-15030-26840	WIRE HARNESS;LENGTH:150mm;ZEE;AWG:26;P:2mm;HOUSING-BOARD IN CONNECTOR;POLES:2;PIN1 RED/OTHERS BLK;PIN 2 IS SHIELDED	[P0738:02: {1.0}(X32)]	
25	0.0000	PC		A81-16030-26040	WIRE HARNESS;LENGTH:160mm;AWG:26;P:2mm;HOUSING-BOARD IN CONNECTOR;POLES:2;PIN1 RED/OTHERS BLK;PIN 2 IS SHIELDED		
26	2.0000	PC		A81-16030-26840	WIRE HARNESS;LENGTH:160mm;ZEE;AWG:26;P:2mm;HOUSING-BOARD IN CONNECTOR;POLES:2;PIN1 RED/OTHERS BLK;PIN 2 IS SHIELDED	[P0738:05: {2.0}(X4,X10)]	X8,X9



	Quantity	Unit	S.Sku	M.Sku	Description	Reference Designators	Notes
27	0.0000	PC		A81-19070-72042	WIRE HARNESS;LENGTH:190mm;AWG:18;P:3mm96;UL1015;HOUSING - BOARD IN CONNECTOR;POLES:7;PIN1 RED/OTHERS BLK;PIN 2, 4 & 6 HAS NO CONNECTION	[P0738:02: {0.0}{X35}]	
28	0.0000	PC		A81-22030-36042	WIRE HARNESS;LENGTH:220mm;AWG:26;P:2mm0;HOUSING-BOARD IN CONNECTOR;POLES:3;PIN1 RED/OTHERS BLK	[P0738:05: {0.0}{X9}]	
29	1.0000	PC		A81-23030-32022	CABLE;LENGTH:230mm;POLES:3;AWG:18;UL1015;ONE SIDE 7mm STRIP/TINNED;PIN 2 HAS NO CONNECTION		
30	0.0000	PC		A81-25030-26040	WIRE HARNESS;LENGTH:250mm;AWG:26;P:2mm;HOUSING-BOARD IN CONNECTOR;POLES:2;PIN1 RED/OTHERS BLK	[P0738:05: {0.0}{X7}]	
31	1.0000	PC		A88-00000-03147	CABLE;SPEAKER;AWG:18;UL1015;2;COMMON;600 MM;JACKMA 6mm35/30-55/T		
32	1.0000	PC	Q76-18050-47490	A76-18050-47490	CABLE;AC-CORD;LENGTH:180cm;VERSION:SAA;PLUG:HE105 ISOLATED;SAA H05VV-F 3x0.75mm2;CONN.HP-3;SPEC.NO:47490		(SAA)
33	1.0000	PC	Q76-15032-55649	A76-15032-55649	CABLE;AC-CORD;CLASS II;W/POLYBAG;JAPAN;LENGTH:150cm;POLES:3;APPROVAL:PSE;JS155 3 + VCTF 3x0.75mm2 + V1528		(JP, HM, SH)
34	0.0000	PC		A76-18050-06505	CABLE;AC-CORD;LENGTH:180cm;VERSION:SAA;PLUG:HE105 ISOLATED;SAA H05VV-F 3x0.75mm2;CONN.HP-3;PANYU		(SAA)
35	1.0000	PC	Q76-00000-13573	A76-00000-13573	CABLE;AC-CORD;3;AR;1500 MM;Plug + Connector:321+730;H05VV-F 3G0.75		(AR)
36	1.0000	PC	Q76-15042-05624	A76-15042-05624	CABLE;AC-CORD;W/POLYBAG;LENGTH:150cm;H05VV-F3G0.75MM2;VERSION;UK;SPEC.NO:05624		(UK)
37	1.0000	PC	Q76-00000-05305	A76-00000-05305	CABLE;AC-CORD;3;BR;1500 MM;Plug + Connector:375+730;H05VV-F 3G0.75		(BR)
38	1.0000	PC	Q76-15212-03119	A76-15212-03119	CABLE;AC-CORD;W/POLYBAG;LENGTH:152cm;H05VV-F 3G 0.75MM2;VERSION;EU;SPEC.NO:03119		(EU, RU)
39	2.0000	PC		A81-16030-26840	WIRE HARNESS;LENGTH:160mm;ZEE;AWG:26;P:2mm;HOUSING-BOARD IN CONNECTOR;POLES:2;PIN1 RED/OTHERS BLK;PIN 2 IS SHIELDED	[P0738:05: {2.0}{X4,X10}]	(EU, UL, JP, UK, SAA, BR, AR, HM, SH)
40	1.0000	PC	Q76-15222-06417	A76-15222-06417	CABLE;AC-CORD;W/POLYBAG;LENGTH:152cm;AWG:18;VERSION;UL;SPEC.NO:06417		(UL)

Capacitor

	Quantity	Unit	S.Sku	M.Sku	Description	Reference Designators	Notes
1	2.0000	PC			CAP E;22uF;25V;PITCH:2mm5;5mm x 11mm;VERTICAL 12.7-15-9mm	[P0738:05: {2.0}(C55-C56)]	*NOT available in DP
2	1.0000	PC			CAP CER;470pF;50V;10%;PITCH:5mm;DISC;VERTICAL 12.7-15-9mm	[P0738:02: {1.0}(C20)]	*NOT available in DP
3	2.0000	PC			CAP CER;10pF;50V;10%;PITCH:5mm;DISC	[P0738:01: {2.0}(C38,C44)]	*NOT available in DP
4	2.0000	PC			CAP CER;22pF;50V;10%;SMT805	[P0738:05: {2.0}(C2,C6)]	*NOT available in DP
5	1.0000	PC			CAP CER;47pF;50V;10%;SMT805	[P0738:05: {1.0}(C4)]	*NOT available in DP
6	1.0000	PC			CAP CER;47nF;50V;20%;SMT805	[P0738:05: {1.0}(C3)]	*NOT available in DP
7	2.0000	PC			CAP CER;100nF;50V;X7R;10%;SMT805	[P0738:05: {2.0}(C1,C5)]	*NOT available in DP
8	3.0000	PC			CAP FILM;100nF;63V;MPF;10%;PITCH:5mm;BOX;VERTICAL 12.7-15-9mm	[P0738:02: {3.0}(C27,C30,C32)]	*NOT available in DP
9	3.0000	PC			CAP E;22uF;450V;20%;PITCH:5mm;13mm x 25mm;105C;VERTICAL 12.7-15-9mm	[P0738:02: {3.0}(C8,C22,C36)]	*NOT available in DP
10	3.0000	PC			CAP E;33uF;450V;20%;PITCH:7mm5;16mm x 25mm;PRECUT:3mm2-0/+0mm2;105C	[P0738:02: {3.0}(C9,C11-C12)]	*NOT available in DP
11	2.0000	PC			CAP E;100uF;500V;20%;PITCH:7mm5;18mm x 40mm;105???C;SNAP-IN	[P0738:02: {2.0}(C16-C17)]	*NOT available in DP
12	1.0000	PC	R12-32100-04351	B12-32100-04351	CAP X2;100nF;275V;PITCH:15mm;CASE:8mm5 x 18mm;CASE:8mm5 x 18mm;PRECUT:3.1mm+/-0mm5	[PSU6:00: {1.0}(C1)]	
13	1.0000	PC			CAP E;1mF;16V;PITCH:5mm;10mm x 16mm;105C;LOW ESR;VERTICAL 12.7-15-9mm	[P0738:02: {1.0}(C24)]	*NOT available in DP
14	1.0000	PC			CAP CER;56pF;1KV;10%;PITCH:5mm;DISC;3.1+/-0.5mm;VERTICAL 12.7-15-9mm	[P0738:01: {1.0}(C48)]	*NOT available in DP
15	2.0000	PC			CAP CER;180pF;1KV;10%;PITCH:5mm;DISC;VERTICAL 12.7-15-9mm	[P0738:01: {1.0}(C37)]	*NOT available in DP
16	1.0000	PC			CAP CER;360pF;1KV;10%;PITCH:5mm;DISC;VERTICAL 12.7-15-9mm	[P0738:01: {1.0}(C39)]	*NOT available in DP
17	2.0000	PC			CAP CER;560pF;1KV;10%;PITCH:5mm;DISC; VERTICAL 12.7-15-9mm	[P0738:01: {1.0}(C45)]	*NOT available in DP
18	1.0000	PC			CAP CER;1nF;1KV;20%;PITCH:5mm;DISC;VERTICAL 12.7-15-9mm	[P0738:02: {1.0}(C14)]	*NOT available in DP
19	1.0000	PC			CAP CER;10nF;1KV;20%;PITCH:10mm;DISC;PRECUT:3mm1 +/-0mm5	[P0738:02: {1.0}(C25)]	*NOT available in DP
20	1.0000	PC			CAP FILM;22nF;400V;MPF;10%;PITCH:5mm;VERTICAL 12.7-15-9mm	[P0738:02: {1.0}(C23)]	*NOT available in DP
21	2.0000	PC			CAP FILM;47nF;400V;MPF;10%;PITCH:10mm;BOX;PRECUT:3mm1 +/-0mm5	[P0738:02: {2.0}(C10,C19)]	*NOT available in DP
22	2.0000	PC			CAP FILM;100nF;400V;MPF;10%;PITCH:5mm;BOX	[P0738:02: {1.0}(C33)]	*NOT available in DP
23	1.0000	PC			CAP FILM;1nF5;630V;MPF;10%;PITCH:7mm5;BOX;PRE-CUT:3.2+/-0.5mm	[P0738:01: {1.0}(C49)]	*NOT available in DP
24	2.0000	PC			CAP FILM;2nF2;630V;MPF;10%;PITCH:7mm5;BOX;PRE-CUT:3.2+/-0.5mm	[P0738:01: {2.0}(C41,C51)]	*NOT available in DP
25	1.0000	PC			CAP FILM;4nF7;630V;MPF;10%;PITCH:7mm5;BOX;PRE-CUT:3.2+/-0.5mm	[P0738:01: {1.0}(C50)]	*NOT available in DP
26	3.0000	PC			CAP FILM;10nF;630V;MPF;10%;PITCH:10mm;BOX;PRE-CUT:3.2+/-0.5mm	[P0738:01: {1.0}(C46)]	*NOT available in DP
27	2.0000	PC			CAP FILM;22nF;630V;MPF;10%;PITCH:15mm;BOX;PRE-CUT:3.2+/-0.5mm	[P0738:01: {2.0}(C42-C43)]	*NOT available in DP
28	1.0000	PC			CAP E;4uF7;25V;PITCH:2mm5;5mm x 11mm;105C;VERTICAL 12.7-15-9mm	[P0738:02: {1.0}(C28)]	*NOT available in DP
29	1.0000	PC			CAP E;10uF;25V;PITCH:2mm5;5mm x 11mm;105C;VERTICAL 12.7-15-9mm	[P0738:05: {1.0}(C54)]	*NOT available in DP
30	3.0000	PC			CAP E;22uF;25V;PITCH:2mm5;5mmx11mm;VERTICAL 12.7-15-9mm	[P0738:02: {3.0}(C18,C29,C31)]	*NOT available in DP
31	1.0000	PC			CAP E;100uF;25V;PITCH:2mm5;6mm3 x 11mm;105C;VERTICAL 12.7-15-9mm	[P0738:05: {1.0}(C57)]	*NOT available in DP
32	2.0000	PC			CAP E;2uF2;50V;PITCH:2mm5;5mm x 11mm;VERTICAL 12.7-15-9mm	[P0738:05: {2.0}(C53,C58)]	*NOT available in DP
33	1.0000	PC			CAP E;470uF;10V;PITCH:3mm5;8mm x 12mm;PRECUT:3mm2 -0/+0mm2;105C	[P0738:02: {1.0}(C21)]	*NOT available in DP
34	2.0000	PC			CAP E;4mF7;35V;PITCH:7mm5;18mm x 35mm;PRECUT:3mm2 -0/+0mm2	[P0738:02: {2.0}(C34-C35)]	*NOT available in DP

	Quantity	Unit	S.Sku	M.Sku	Description	Reference Designators	Notes
35	1.0000	PC			CAP E;47uF;35V;20%;PITCH:2mm5;5mm x 11mm;PRECUT:3mm2 - 0/+0mm2;105C	[P0738:04: {1.0}{C7}]	*NOT available in DP
36	1.0000	PC			CAP E;47uF;50V;PITCH:2mm5;6.3mmx11mm;PRECUT:3mm2 - 0/+0mm2	[P0738:04: {1.0}{C59}]	*NOT available in DP

## Circuit Protector

	Quantity	Unit	S.Sku	M.Sku	Description	Reference Designators	Notes
1	10.0000	PC	R21-15201-52000	B21-15201-52000	FUSE CLIP;2 A;V;ZINC PLATING;250V;SERIES;520;FUSE;250 V;PLATING	[P0738:02: {1.0}{F1-F5}]	
2	2.0000	PC	R22-01512-63001	B22-01512-63001	FUSE;630mA;250V;SLOW BLOW;H-TYPE;5mm x 20mm	[P0738:02: {2.0}{F1-F2}]	
3	1.0000	PC	R22-01514-10001	B22-01514-10001	FUSE;10A;250V;SLOW BLOW;H-TYPE;5mm x 20mm	[P0738:02: {1.0}{F5}]	
4	1.0000	PC		B22-01613-10001	FUSE;1A0;250V;FAST BLOW;H-TYPE;5mm x 20mm	[P0738:04: {1.0}{F6}]	
5	2.0000	PC	R22-01513-16001	B22-01513-16001	FUSE;1A6;250V;SLOW BLOW;H-TYPE;5mm x 20mm	[P0738:02: {2.0}{F3-F4}]	(UL, JP, BR, HM, SH)
6	1.0000	PC	R22-01513-31501	B22-01513-31501	FUSE;3A15;250V;SLOW BLOW;H-TYPE;5mm x 20mm	[{1.0}{F1,PSU6}]	(UL, JP, BR, HM, SH)
7	3.0000	PC	R22-01513-16001	B22-01513-16001	FUSE;1A6;250V;SLOW BLOW;H-TYPE;5mm x 20mm	PSU6:F1]	(EU, UK, SAA, AR, RU)
8	1.0000	PC	R22-01513-31501	B22-01513-31501	FUSE;3A15;250V;SLOW BLOW;H-TYPE;5mm x 20mm	[{1.0}{F1,PSU6}]	
9	3.0000	PC	R22-01513-16001	B22-01513-16001	FUSE;1A6;250V;SLOW BLOW;H-TYPE;5mm x 20mm	[{1.0}{F1,PSU6}]	
10	3.0000	PC	R22-01513-16001	B22-01513-16001	FUSE;1A6;250V;SLOW BLOW;H-TYPE;5mm x 20mm	[{1.0}{F1,PSU6}]	

## Connector

	Quantity	Unit	S.Sku	M.Sku	Description	Reference Designators	Notes
1	2.0000	PC	R84-00000-01620	B84-00000-01620	AMP TERMINAL;BRASS W TIN;7205A-B5-2		
2	10.0000	PC	R84-19056-06015	B84-19056-06015	CONNECTOR;TERMINAL;BRASS W TIN;AWG16-22;JS-4008-T		
3	14.0000	PC	R84-22000-06018	B84-22000-06018	CRIMP TERMINAL;PITCH:3mm96;AWG18-22;A3963TOP-2		
4	33.0000	PC	R84-25016-06014	B84-25016-06014	CRIMP TERMINAL;PITCH:2mm0;AWG24-30;A2008TOP-2		
5	2.0000	PC	R84-30000-06293	B84-30000-06293	JACKET;FOR 205 TERMINAL;DIA:4mm		
6	2.0000	PC	R84-30046-39242	B84-30046-39242	CONNECTOR;AMP CONN TERMINAL;MATERIAL:PAPER FIBRE;QUADRUPLE;(BWF38703003-TERMINAL-REVA.DWG)		
7	2.0000	PC	R84-30060-06009	B84-30060-06009	JACKET;FOR 6mm35 AMP CONNECTOR;PVC;STRAIGHT;DIAMETER:4mm		
8	2.0000	PC		B84-32050-05839	CRIMP CONNECTOR;AMP;RECEPTABLE;6mm3 x 7mm5;AWG 14-18;WIRE MOUNT;STRAIGHT;250 SERIES		
9	10.0000	PC	R84-39000-03120	B84-39000-03120	CONNECTOR;AMP;PCB;PCB MOUNT;PITCH:5mm;WIDTH:6mm3	[P0738:01: {1.0}{X69}]	
10	1.0000	PC	R84-42050-00155	B84-42050-00155	CRIMP CONNECTOR;LUG;INNER DIA:4mm3;AWG 14-18;WIRE MOUNT;STRAIGHT		
11	1.0000	PC		B93-60010-41238	CONNECTOR;BARE JUMPER;WIRE DIAMETER:1mm;LENGTH:15mm	[P0738:02: {1.0}{J1}]	

## Diode

	Quantity	Unit	S.Sku	M.Sku	Description	Reference Designators	Notes
1	2.0000	PC			DIODE;1N4148;DO35	[P0738:04: {1.0}{D3}]	*NOT available in DP
2	12.0000	PC			DIODE;1N4007;DO41	[P0738:02: {10.0}{D6-D15}]	*NOT available in DP
3	2.0000	PC			DIODE;LL4148;LL34;TEMIC OR FC;SMD	[P0738:05: {2.0}{D1-D2}]	*NOT available in DP
4	2.0000	PC			DIODE;ZPD15V0;DO35;TEMIC OR FC	[P0738:05: {2.0}{D17-D18}]	*NOT available in DP

## Hardware

	Quantity	Unit	S.Sku	M.Sku	Description	Reference Designators	Notes
1	50.0000	PC			NAIL;CROWN:2mm2;WIDTH:1mm27;THICKNESS:1mm0;LENGTH:25mm;18-GAUGE (0.49*0.40) FINISH;GALVANIZED		*NOT available in DP
2	100.0000	PC			NAIL;CROWN:2mm2;WIDTH:1mm27;THICKNESS:1mm0;LENGTH:30mm;18-GAUGE (0.49*0.40) FINISH;GALVANIZED		*NOT available in DP
3	70.0000	PC			NAIL;STAPLE;CROWN 10mm;LEGLNGTH:10mm;WIDTH:1.2mm;THICKNESS:0mm6;FINISH:GALVANIZED		*NOT available in DP
4	145.0000	PC			NAIL;STAPLE;CROWN 10mm;LEGLNGTH:6mm;WIDTH:1.2mm;THICKNESS:0mm6;FINISH:GALVANIZED		*NOT available in DP
5	9.0000	PC			CABLE TIE;NYLON;4in;COLOR:		*NOT available in DP
6	2.0000	PC			WIRECLAMP;LUG;4mm4;LENGTH:56mm;OUTER DIA;8mm;PLASTIC COVERED STEEL;COLOR:BLK		*NOT available in DP
7	1.8000	G			SCREWLOCK;SPEC.NO:01090		*NOT available in DP
8	4.0000	PC			OCT.NUT;9.525 MM;NICKEL;SILVER;0.793 MM;3/8-32UNEF;(P0738-SPECIAL_OCTAGONAL_NUT-REVB.DWG		*NOT available in DP
9	4.0000	PC			CLIP-ON NUT;SQUARE STYLE;THREAD:5mm0;PITCH:0mm8;SURFACE:ZINC/SILVER		*NOT available in DP
10	2.0000	PC			HEX.NUT;INNER DIA;M3mm;SURFACE:ZINC		*NOT available in DP
11	28.0000	PC			T-NUT;INNER DIA;M4mm;W/PRONG;SURFACE:ZINC/BLACK		*NOT available in DP
12	3.0000	PC			HEX. NUT;INNER DIA;M4mm;SURFACE:ZINC		*NOT available in DP
13	24.0000	PC			T-NUT;INNER DIA;M5mm;W/PRONG;SURFACE:ZINC/BLACK		*NOT available in DP
14	7.0000	PC			HEX.NUT FOR PHONEJACK;THREAD:INNER DIA:9mm;PITCH:0.75;THICKNESS:4mm;NICKEL PLATED		*NOT available in DP
15	6.0000	PC			OCT. NUT;FOR JACK;3/8in;OCTWRENCH:14.5mm;THICKNESS:3.5mm;SURFACE:NICKEL/SILVER		*NOT available in DP
16	1.0000	PC			HEX. NUT;INNER DIA:13mm;SURFACE:ZINC		*NOT available in DP
17	2.0000	PC		F87-00000-02536	RUBBER;BLACK;UL94 V0;P0738_TUBE_COVER_GASKET-REVA		
18	16.0000	PC			SCREW;A;4 MM;13 MM;PAN;ZINC;BLACK;2.84 MM;SC;A4*13mm		*NOT available in DP
19	8.0000	PC			SCREW;M3mm*3mm;HEAD:PAN WASHER DIA 4mm5;INSERT:PHILIPS REC.;SURFACE:BLACK/ZINC		*NOT available in DP
20	8.0000	PC			SCREW;M3mm*4mm;HEAD:PAN;INSERT:PHILIPS REC.;SURFACE:SILVER/ZINC		*NOT available in DP
21	2.0000	PC			SCREW;M3mm*4mm;HEAD:PAN;INSERT:PHILIPS REC.;SURFACE:BLACK/ZINC		*NOT available in DP
22	3.0000	PC			SCREW;M3mm*5mm;HEAD:PAN;INSERT:PHILIPS REC.;SURFACE:SILVER ZINC		*NOT available in DP
23	2.0000	PC			SCREW;MP;0mm5;3mm*5mm;HEAD:FLAT;INSERT:PHILIPS REC.;SURFACE:BLACK/ZINC		*NOT available in DP
24	24.0000	PC			SCREW;M3mm*6mm;HEAD:PAN;INSERT:PHILIPS REC.;SURFACE:SILVER/ZINC		*NOT available in DP
25	9.0000	PC			SCREW;M3mm*6mm;HEAD:PAN;INSERT:PHILIPS REC.;SURFACE:BLACK/ZINC		*NOT available in DP
26	4.0000	PC			SCREW;A3mm*8mm;HEAD:PAN;INSERT:PHILIPS REC.;SURFACE:BLACK/ZINC		*NOT available in DP
27	4.0000	PC			SCREW;M3mm*10mm;HEAD:PAN;INSERT:PHILIPS REC.;SURFACE:BLACK/ZINC		*NOT available in DP
28	4.0000	PC			SCREW;A3mm*13mm;HEAD:FLAT;INSERT:PHILIPS REC.;SURFACE:BLACK/ZINC		*NOT available in DP
29	3.0000	PC			SCREW;M4mm*8mm;HEAD:BINDING;INSERT:PHILIPS REC.;SURFACE:SILVER/ZINC		*NOT available in DP
30	4.0000	PC			SCREW;M4mm*16mm;HEAD:TRUSS;INSERT:PHILIPS REC.;SURFACE:BLACK/ZINC		*NOT available in DP

	Quantity	Unit	S.Sku	M.Sku	Description	Reference Designators	Notes
31	10.0000	PC			SCREW;A4mm*32mm;HEAD:PAN WASHER;INSERT:PHILIPS REC.;SURFACE:BLACK/ZINC		*NOT available in DP
32	4.0000	PC			SCREW;M4mm*35mm;HEAD:PAN;INSERT:PHILIPS REC.;SURFACE:BLACK/ZINC		*NOT available in DP
33	24.0000	PC			SCREW;M4mm*35mm;HEAD:TRUSS;INSERT:PHILIPS REC.;SURFACE:ZINC/BLACK		*NOT available in DP
34	6.0000	PC			SCREW;M5mm*8mm;HEAD:PAN;INSERT:PHILIPS REC.;SURFACE:BLACK/ZINC		*NOT available in DP
35	4.0000	PC			SCREW;M5mm*22mm;HEAD:PAN;INSERT:PHILIPS REC.;SURFACE:BLACK/ZINC		*NOT available in DP
36	12.0000	PC			SCREW;M5mm*22mm;HEAD:OVAL;INSERT:PHILIPS REC.;SURFACE:SILVER/CHROME		*NOT available in DP
37	8.0000	PC			SCREW;M5mm*25mm;HEAD:PAN;INSERT:PHILIPS REC.;SURFACE:BLACK/ZINC		*NOT available in DP
38	4.0000	PC			SCREW;M5mm*35mm;HEAD:OVAL;INSERT:PHILIPS REC.;SURFACE:BLACK/ZINC		*NOT available in DP
39	1.0000	PC			METAL SHIELD;MATERIAL:SECC 1.2mm		*NOT available in DP
40	1.0000	PC			METAL SHIELD;P0738-reflection_sheet;MATERIAL:ALUMINIUM		*NOT available in DP
41	1.0000	PC			SILICA GEL;MASS;30g;SPEC.NO:30QB-BB2001-4		*NOT available in DP
42	8.0000	PC			SPRING;P0738;WIRE DIA:0.6MM;DST.NO:001;DPT.NO:14389;(P0738- TUBE_SPRING-REVA)		*NOT available in DP
43	3.0000	PC			STUD;THREAD-DIA:3mm;LENGTH:5mm2;EXT/INT:EXT:5mm;		*NOT available in DP
44	2.0000	PC			STUD;THREAD-DIA:3mm;LENGTH:13mm8;INT/INT		*NOT available in DP
45	0.4820	M			SHRINKING TUBE;INNER DIA:1mm;SPEC.NO:43217		*NOT available in DP
46	264.0000	MM			SHRINKING TUBE;INNER DIA:2MM;SPEC NO:15747		*NOT available in DP
47	0.0200	M			SHRINKING TUBE;INNER DIA:4mm;SPEC.NO:01098		*NOT available in DP
48	0.0600	M			SHRINKING TUBE;INNER DIA:5mm2;SPEC.NO:16898;		*NOT available in DP
49	0.0800	M			SHRINKING TUBE;INNER DIA:6mm;SPEC.NO:01099		*NOT available in DP
50	6.0000	PC			WASHER;9.7 MM;16 MM;NICKEL;WHITE;WASHER;FLAT;DIM:9.7*16*0.5mm;NIC		*NOT available in DP
51	10.0000	PC			WASHER;PLAIN;INNER DIA:3mm;OUTER DIA:6mm;THICKNESS;0mm5		*NOT available in DP
52	4.0000	PC			WASHER;PLAIN;INNER DIA:4mm;OUTER DIA:8mm;THICKNESS:0mm8;PLATING;NICKEL		*NOT available in DP
53	2.0000	PC			WASHER;PLAIN;INNER DIA:4mm;OUTER DIA:8mm;THICKNESS:1mm;PLATING;NICKEL		*NOT available in DP
54	2.0000	PC			WASHER;PLAIN;INNER DIA:4mm;OUTER DIA:10mm;THICKNESS;1mm;PLATING;NICKEL		*NOT available in DP
55	8.0000	PC			WASHER;PLAIN;INNER DIA:5mm1;OUTER DIA:11 mm;THICKNESS;1mm;PLATING;NICKEL		*NOT available in DP
56	7.0000	PC			WASHER;PLAIN;INNER DIA:9mm6;OUTER DIA:13mm;THICKNESS;0mm5;PLATING;NICKEL		*NOT available in DP
57	4.0000	PC			WASHER;PLAIN;INNER DIA:12mm3;OUTER DIA:16mm6;THICKNESS:0mm5;SURFACE:NICKEL/SILVER		*NOT available in DP
58	4.0000	PC			WASHER;SPRING;INNER DIA:4mm;OUTER DIA:7mm;THICKNESS;1mm7		*NOT available in DP
59	4.0000	PC			WASHER;SPRING;INNER DIA:5mm;OUTER DIA:8mm;THICKNESS;1mm7		*NOT available in DP
60	2.0000	PC			WASHER;EXTERNAL TEETH;INNER DIA:3mm;OUTER DIA:6mm;THICKNESS:0mm5		*NOT available in DP
61	4.0000	PC			WASHER;EXTERNAL TEETH;INNER DIA:4mm;OUTER DIA:7mm;THICKNESS;1mm7		*NOT available in DP
62	4.0000	PC			WASHER;DONUT;INNER DIA:6mm2;OUTER DIA:18mm;THICKNESS;3mm0;PLATING;BLACK/ZINC		*NOT available in DP
63	1.0000	PC		F97-00000-02308	DIFFUSER;P0738;MATERAIL: PC SHEET 0.375mm;SUFACE TEXTTRUE:GRAND8&GRAND30(P0738-DIFFUSER-REVB.DWG		

	Quantity	Unit	S.Sku	M.Sku	Description	Reference Designators	Notes
64	2.0000	PC		F97-00100-12676	PAPERBOARD A;P0738;DST.NO:001;DPT.NO:12676;(P0738-PAPERBOARD_A-REVA.DWG)		
65	1.0000	PC		F97-00100-13494	SHEET;I00462P;DST.NO:001;DPT.NO:13494;(I00462P-SHEET-REVA.DWG)		
66	1.0000	PC		F97-00100-14740	DIFFUSER B;P0738;DST.NO:001;DPT.NO:14740;(P0738-DIFFUSER_B-REVA.DWG)		
67	1.0000	PC		F97-00100-14743	DIFFUSER LOGO B;P0738;DST.NO:001;DPT.NO:14743;(P0738-DIFFUSER_LOGO_B-REVA.DWG)		
68	2.0000	PC		F97-00200-14815	PAPERBOARD B;P0738;DST.NO:002;DPT.NO:14815;(P0738-PAPERBOARD_B-REVB.DWG)		
69	4.0000	PC			SCREW;A3mm*8mm;HEAD:PAN;INSERT:PHILIPS REC.;SURFACE:BLACK/ZINC		*NOT available in DP

**Ic**

	Quantity	Unit	S.Sku	M.Sku	Description	Reference Designators	Notes
1	1.0000	PC	S73-58007-22208	C73-58007-22208	IC,OPAMP OPAMP;TL072;SOP;BRAND:ST ONLY	[P0738:05: {1.0}({IC1})]	

**Led**

	Quantity	Unit	S.Sku	M.Sku	Description	Reference Designators	Notes
1	28.0000	PC	U10-00000-04901	E10-00000-04901	LED HIB;3mm0 ROUND;AMBER;BULK;W/RING	[P0738:01: {28.0}({LD9-LD36})]	
2	18.0000	PC		E10-00000-05232	LED 3mm ROUND;AMBER;BULK;MIN.D:600NM;MIN.IV:5000MCD;min.d:600 nm;min.Iv:5000 mcd	[P0738:03: {18.0}({LD1-LD18})]	

## Metal Part

	Quantity	Unit	S.Sku	M.Sku	Description	Reference Designators	Notes
1	1.0000	PC		A60-00100-06313	METAL;TOP PLATE;TP125S02A;DIA 125x39.4x6H;DIA 60-4xM5;DST.NO:001;DPT.NO:06313;(LS-TP125S02A-REVA.DWG)		
2	1.0000	PC		A62-00000-86271	METAL;POB21;STEEL 1.0mm;BLUE;FRAME;FR307S02F		
3	1.0000	PC		A62-00000-86290	METAL;POB29;STEEL 1.0mm;BLUE;FRAME;FR308S02D		
4	1.0000	PC		A65-00000-01580	METAL;P0738;ALU 1.2mm;COVER;PUNCHING AND BENDING;BLACK ANODIZED;BLACK;P0738-TUBE_COVER-REVB.idw		
5	1.0000	PC		A65-00000-05174	METAL;P0738;SECC 0.5mm;CASE;STAMPING;P0738-MET_LED_CASE-REVB		Rework the material on order.
6	1.0000	PC		A65-00001-23804	METAL;YOKE;P0947;MATERIAL:STEEL, LOW CARBON;PLATING WHITE ZINC;LS-TY125S02C		
7	1.0000	PC		A65-00001-24986	METAL;YOKE;P0948;MATERIAL:STEEL, LOW CARBON;PLATING WHITE ZINC;LS-TY145S02N		
8	1.0000	PC		A65-00100-12661	METAL;ALU SHEET;P0738;DST.NO:001;DPT.NO:12661;(P0738-MET_ALU_SHEET-REVA.DWG)		
9	1.0000	PC		A65-00100-14842	METAL; TOP PLATE , TP145S02E;DST.NO:001;DPT.NO:14842;(LS-TP145S02E[R]-REVA.DWG)		
10	4.0000	PC		A65-00300-09238	PLATE;TUBE HOLDER;AC108;DST.NO:003;DPT.NO:09238;(AC108-TUBE-HOLDER-PLATE-REVC.DWG)		
11	8.0000	PC	Q65-02000-04400	A65-02000-04400	METAL;CORNER;GX112;DWG.NO:04400;(R20-GX112-CORNER-REVB.DWG)		
12	1.0000	PC		A65-09000-25912	METAL;FAN GUARD;DIAMETER:80mm;TYP;G;NO:01;SPEC.NO:25912		
13	1.0000	PC		J02-00000-00571	METAL;P0738;SECC 1.6mm;CASE;STAMPING;SPRAYING;BLACK;P0738-METAL_CASE		
14	1.0000	PC		A65-00000-05174	METAL;P0738;SECC 0.5mm;CASE;STAMPING;P0738-MET_LED_CASE-REVB		(EU, UL, JP, UK, SAA, BR, AR, HM, SH)

## Plastic Part

	Quantity	Unit	S.Sku	M.Sku	Description	Reference Designators	Notes
1	4.0000	PC	W51-00100-14745	G51-00100-14745	PLASTIC;RUBFOOT;P0738;DST.NO:001;DPT.NO:14745;(P0738-RUBFOOT-REVA.DWG)		
2	1.0000	PC	W52-00100-15586	G52-00100-15586	PLASTIC;I00526P;ROTARY_KNOB;PANTONE 614;DST.NO:001;DPT.NO:15586;(I00526P-ROTARY_KNOB-REVA.idw)		
3	1.0000	PC		G52-00300-06654	KNOB;SWITCH;I00050P;DST.NO:003;DPT.NO:06654(I00050P-SWTICH_KNOB-REVC.dwg)		
4	6.0000	PC	W52-00600-15528	G52-00600-15528	PLASTIC;KNOB ROTARY;I00419P;DST.NO:006;DPT.NO:15528;(I00419P-KNOB_ROTARY-REVF.DWG)		
5	1.0000	PC	W53-00000-04668	G53-00000-04668	PLASTIC;JEWEL;P0404;AMBER TRANSLUCENT		Jewel change from current blue to white
6	27.0000	PC	W53-14000-01924	G53-14000-01924	PLASTIC;SPACER;ABS PA777E;BLACK;LENGTH:5MM8;INNER DIA;3MM2;LENGTH:5.8 mm;3.2 mm		
7	1.0000	PC	W53-26000-22762	G53-26000-22762	FUSE HOLDER;TYPE:FH-B13HA;250V/10A;SPEC:22762	[PSU6:00: {1.0}(F1)]	
8	3.0000	PC	W53-40900-05211	G53-40900-05211	LEATHER;HANDLE;P0738;BLACK LEATHER+SILVER METAL		
9	1.0000	PC		G58-00000-01540	PLASTIC;P0948;ABS;SPEAKER;BLACK;Rear Gasket;Plastic part;GA128ABS11_5A		
10	1.0000	PC		G58-00000-06612	PLASTIC;P0738;PVC;FRONT;EXTRUSION;High Gloss;BLACK;I00438P-FRONTBOARD_STRIP-REVD.DWG		
11	2.0000	PC	W58-00100-10111	G58-00100-10111	PLASTIC;GROMMET;RUBBER, OIL RESISTANT;BLACK;I00325P;DST.NO:001;DPT.NO:10111;(I00325P-GROMMET-REVA.DWF)		
12	1.0000	PC		G58-00100-12649	PLASTIC;SPACER LED;I00454P;DST.NO:001;DPT.NO:12649;(I00454P-SPACER_LED-REVA.DWG)		
13	1.0000	PC		G58-00100-14444	PLASTIC;PC SHEET;I00498P;DST.NO:001;DPT.NO:14444;(I00498P-PC_SHEET-REVA)		
14	1.0000	PC		G58-00100-14729	PLASTIC;FRONTBOARD LINING;I00439P;GOLD;DST.NO:001;DPT.NO:14729;(I00439P-FRONTBOARD_LINING-REVA.DWG)		
15	1.0000	PC		G58-35300-06241	PLASTIC;GASKET;P0077;GX212 GX2000;RUBBER HEATSINK;DWG.NO:06241;(R14-HSGASKET1-REVB.DWG)		
16	1.0000	PC		I68-00000-02261	PLASTIC;P0738;PC CLEAR;FRONT;CUTTING;P0738- FRONT_PANEL-REVC.DWG		
17	1.0000	PC		I68-00100-11666	PLASTIC;BUGERA LOGO;I00420P;PRINTED;FST.NO:001;DPT.NO:11666;(I00420P-BUGERA_LOGO-REVA.DWG)		
18	1.0000	PC	W53-00000-04668	G53-00000-04668	PLASTIC;JEWEL;P0404;AMBER TRANSLUCENT		(EU, UL, JP, UK, SAA, BR, AR, HM, SH)



## Plug Socket

	Quantity	Unit	S.Sku	M.Sku	Description	Reference Designators	Notes
1	2.0000	PC	W64-16112-00062	G64-16112-00062	PLUG;JACK MONO 6mm3;STRAIGHT SOLDER;DUAL TIP/NO RING CONTACTS;MET.BUSH.;NO NUT/WASHER;(CHUNSHENG PJ-636HA)	[P0738:06: {2.0}(X62-X63)]	
2	8.0000	PC	W64-16212-00005	G64-16212-00005	PLUG;PCB;PLUG;JACK STEREO 6mm3;STRAIGHTPCB LUGS;NO NUT/WASHER;METAL BUSHING;(CHUNSHENG PJ-632HA)	[P0738:01: {4.0}(X53-X54,X58-X59)]	
3	1.0000	PC		G67-30103-01969	SOCKET;AC;PCB MOUNT;COLOR:BLACK;POLES:03;(SS-7B-1-T7NUT2)	[PSU6:00: {1.0}(X1)]	
4	1.0000	PC		G68-14002-00033	SOCKET;RCA;FEMALE;POLES:2;STRAIGHT;SEPARATE GROUNDS;HEIGHT:16mm;CONTACTS:NICKEL;TIP RINGS LEFT:WHITE;RIGHT:RED;(DAE-RYUNG JK201530N)	[P0738:04: {1.0}(X66)]	
5	10.0000	PC	W71-23102-04756	G71-23102-04756	WAFER;POLES:2;STRAIGHT;PITCH:2 mm;1 ROW;TYPE:A2006WV-2P	[P0738:01: {8.0}(X68,X71-X75,X78-X79)]	
6	1.0000	PC	W71-23103-04757	G71-23103-04757	WAFER;POLES:3;STRAIGHT;PITCH:2 mm;1 ROW;TYPE:A2006WV-3P	[P0738:02: {1.0}(X51)]	
7	3.0000	PC		G71-23103-04986	WAFER;POLES:3;STRAIGHT;PITCH:2 mm;1 ROW;A2006WV-03-S1;NO MIDDLE PIN	[P0738:01: {2.0}(X76-X77)]	
8	1.0000	PC	W71-23104-04758	G71-23104-04758	WAFER;POLES:4;STRAIGHT;PITCH:2 mm;1 ROW;TYPE:A2006WV-4P	[P0738:01: {1.0}(X67)]	
9	3.0000	PC	W71-27102-04450	G71-27102-04450	WAFER;POLES:2;STRAIGHT;PITCH:3.96 mm;1 ROW;JS1120-03-S1;NO MIDDLE PIN	[PSU6:00: {1.0}(X4)]	
10	1.0000	PC		G71-27103-04449	WAFER;POLES:3;STRAIGHT;PITCH:3.96 mm;1 ROW;JS1120-03	[P0738:02: {1.0}(X48)]	
11	3.0000	PC	W71-27105-04760	G71-27105-04760	WAFER;POLES:5;STRAIGHT;PITCH:3.96 mm;1 ROW;JS1120-05-S1;W/O PIN2 AND PIN4	[P0738:02: {1.0}(X30)]	
12	1.0000	PC	W71-27107-05192	G71-27107-05192	WAFER;POLES:7;STRAIGHT;PITCH:3.96 mm;1 ROW;JS1120-07-S1;W/O PIN2, 4 AND 6	[P0738:04: {1.0}(X24)]	
13	10.0000	PC	W71-43102-05994	G71-43102-05994	PLUG;HOUSING;POLES:2;ROWS:1;STRAIGHT;PITCH:2mm;TYP:A2008		
14	4.0000	PC	W71-43103-05995	G71-43103-05995	PLUG;HOUSING;POLES:3;ROWS:1;STRAIGHT;PITCH:2mm;TYP:A2008		
15	1.0000	PC	W71-43104-05996	G71-43104-05996	PLUG;HOUSING;POLES:4;ROWS:1;STRAIGHT;PITCH:2mm;TYP:A2008		
16	2.0000	PC	W71-47103-05845	G71-47103-05845	PLUG;HOUSING;A3963H02;PITCH:3mm96;POLES:3;ROWS:1;UL94-V0;STRAIGHT		
17	2.0000	PC		G71-47105-05847	PLUG;HOUSING;A3963H02;PITCH:3mm96;POLES:5;ROWS:1;UL94-V0;STRAIGHT		
18	2.0000	PC		G71-47105-06758	PLUG;HOUSING;P:3mm96;STRAIGHT;ROWS:1;POLES:5;TYP:JS4008		
19	1.0000	PC	W71-47107-06748	G71-47107-06748	PLUG;HOUSING;A3963H02;PITCH:3mm96;POLES:7;ROWS:1;UL94-V0;STRAIGHT		
20	1.0000	PC	W71-47107-06760	G71-47107-06760	PLUG;HOUSING;P:3mm96;STRAIGHT;ROWS:1;POLES:7;TYP:JS4008		
21	33.0000	PC	W71-80000-05663	G71-80000-05663	BD.-IN-CONN;TERMINAL;SAN-002T-0.8A		
22	10.0000	PC	W71-83102-05642	G71-83102-05642	BOARD-IN-CONNECTOR;POLES:2;ROWS:1;STRAIGHT;PITCH:2 mm		
23	4.0000	PC	W71-83103-05643	G71-83103-05643	BOARD-IN-CONNECTOR;POLES:3;ROWS:1;STRAIGHT;PITCH:2 mm		
24	1.0000	PC	W71-83104-05644	G71-83104-05644	BOARD-IN-CONNECTOR;POLES:4;ROWS:1;STRAIGHT;PITCH:2 mm		
25	4.0000	PC	W73-18509-01113	G73-18509-01113	SOCKET;TUBESOCKET9P;POLES:09;PLATING;VACUUM TUBE;12AX7;CERAMIC;COLOR:WHT;ZINC	[P0738:02: {4.0}(V7-V10)]	
26	2.0000	PC	W73-18509-01217	G73-18509-01217	SOCKET;BOARD-IN;POLES:09;VACUUM TUBE;FOR 6L6GC;CERAMIC;COLOR:WHT;VERSION3;GZC8-Y-5	[P0738:04: {2.0}(V5-V6)]	
27	4.0000	PC		G73-18509-25299	SOCKET;TUBESOCKET9P;POLES:09;PLATING;VACUUM TUBE;12AX7;CERAMIC;COLOR:WHT;ZINC;GZC9-A;VERSION2	[P0738:04: {4.0}(V1-V4)]	

## Power Supply

	Quantity	Unit	S.Sku	M.Sku	Description	Reference Designators	Notes
1	1.0000	PC	Z60-00000-03124	J60-00000-03124	TRAFO;AUDIO I/O;P0738;COMMON;EIB3324N1(EAGLERISE)		
2	1.0000	PC		J60-90239-05476	TRAFO;AUDIO I/O;EI0239(R1L);NANHAI NRE		
3	1.0000	PC		J67-00000-03126	TRAFO;CHOKE;P0738;COMMON;EIB3323N1(EAGLERISE)		
4	1.0000	PC		J67-20240-05477	TRAFO;CHOKE;EI0240(R1L);NANHAI NRE		
5	0.0000	PC		J65-97385-05474	TRAFO;EI;P0738;EI0237;UL 120V;NANHAI NRE		(UL, BR)
6	0.0000	PC		J65-97384-05473	TRAFO;EI;P0738;EI0236;EU 230V;NANHAI NRE		(EU, UK, SAA, AR)
7	1.0000	PC		J65-97384-05473	TRAFO;EI;P0738;EI0236;EU 230V;NANHAI NRE		(RU)
8	0.0000	PC		J65-97384-05473	TRAFO;EI;P0738;EI0236;EU 230V;NANHAI NRE		
9	1.0000	PC	Z65-00000-03122	J65-00000-03122	TRAFO;EI POWER;P0738;UL 120;EIB3326N1(EAGLERISE)		(UL, BR)
10	1.0000	PC	Z65-00000-03120	J65-00000-03120	TRAFO;EI POWER;P0738;EU 230 OR 240;EIB3325N1(EAGLERISE)		(EU, UK, SAA, AR, RU)
11	0.0000	PC		J65-97387-05475	TRAFO;EI;P0738;EI0238;JP 100V;NANHAI NRE		(JP, HM, SH)
12	1.0000	PC	Z65-00000-03120	J65-00000-03120	TRAFO;EI POWER;P0738;EU 230 OR 240;EIB3325N1(EAGLERISE)		
13	1.0000	PC	Z65-00000-03123	J65-00000-03123	TRAFO;EI POWER;P0738;JP 100;EIB3327N1(EAGLERISE)		(JP, HM, SH)

## Resistor

	Quantity	Unit	S.Sku	M.Sku	Description	Reference Designators	Notes
1	2.0000	PC			RESISTOR;CARBON;470ohm;5%;0W1;SMD805	[P0738:05: {2.0}(R3,R7)]	*NOT available in DP
2	1.0000	PC			RESISTOR;CARBON;22Kohm;5%;0W1;SMD805	[P0738:05: {1.0}(R4)]	*NOT available in DP
3	1.0000	PC			RESISTOR;CARBON;47Kohm;5%;0W1;SMD805	[P0738:05: {1.0}(R5)]	*NOT available in DP
4	3.0000	PC			RESISTOR;CARBON;68Kohm;5%;0W1;SMD805	[P0738:05: {3.0}(R2,R6,R8)]	*NOT available in DP
5	1.0000	PC			RESISTOR;CARBON;680Kohm;5%;0W1;SMD805	[P0738:05: {1.0}(R1)]	*NOT available in DP
6	2.0000	PC			RESISTOR;CARBON;47ohm;5%;0W25;LEAD WIRE;HORIZONTAL 26-6mm	[P0738:04: {2.0}(R15-R16)]	*NOT available in DP
7	1.0000	PC			RESISTOR;CARBON;100ohm;5%;0W25;LEAD WIRE;HORIZONTAL 26-6mm	[P0738:05: {1.0}(R106)]	*NOT available in DP
8	46.0000	PC			RESISTOR;CARBON;270ohm;5%;0W25;LEAD WIRE;HORIZONTAL 26-6mm	[P0738:03: {18.0}(R1-R18)]	*NOT available in DP
9	2.0000	PC			RESISTOR;CARBON;1Kohm;5%;0W25;LEAD WIRE;HORIZONTAL 26-6mm	[P0738:05: {2.0}(R111,R113)]	*NOT available in DP
10	4.0000	PC			RESISTOR;CARBON;1Kohm5;5%;0W25;LEAD WIRE;HORIZONTAL 26-6mm	[P0738:02: {4.0}(R31,R42,R51-R52)]	*NOT available in DP
11	1.0000	PC			RESISTOR;CARBON;4Kohm7;5%;0W25;LEAD WIRE;HORIZONTAL 26-6mm	[P0738:01: {1.0}(R77)]	*NOT available in DP
12	3.0000	PC			RESISTOR;CARBON;10Kohm;5%;0W25;LEAD WIRE;HORIZONTAL 26-6mm	[P0738:04: {2.0}(R13-R14)]	*NOT available in DP
13	1.0000	PC			RESISTOR;CARBON;15Kohm;5%;0W25;LEAD WIRE;HORIZONTAL 26-6mm	[P0738:05: {1.0}(R107)]	*NOT available in DP
14	5.0000	PC			RESISTOR;CARBON;68Kohm;5%;0W25;LEAD WIRE;HORIZONTAL 26-6mm	[P0738:01: {4.0}(R79-R80,R84,R87)]	*NOT available in DP
15	2.0000	PC			RESISTOR;CARBON;100Kohm;5%;0W25;LEAD WIRE;HORIZONTAL 26-6mm	[P0738:05: {2.0}(R102-R103)]	*NOT available in DP
16	2.0000	PC			RESISTOR;CARBON;120Kohm;5%;0W25;LEAD WIRE;HORIZONTAL 26-6mm	[P0738:02: {1.0}(R36)]	*NOT available in DP
17	2.0000	PC			RESISTOR;CARBON;470Kohm;5%;0W25;LEAD WIRE;HORIZONTAL 26-6mm	[P0738:02: {1.0}(R41)]	*NOT available in DP
18	4.0000	PC			RESISTOR;CARBON;1Mohm;5%;0W25;LEAD WIRE;HORIZONTAL 26-6mm	[P0738:01: {1.0}(R76)]	*NOT available in DP
19	5.0000	PC			RESISTOR;CARBON;5Mohm1;5%;0W25;LEAD WIRE;HORIZONTAL 26-6mm	[P0738:01: {5.0}(R81,R86,R94-R96)]	*NOT available in DP
20	2.0000	PC			RESISTOR;CARBON;4ohm7;5%;1W;LEAD WIRE	[P0738:02: {2.0}(R56,R58)]	*NOT available in DP
21	2.0000	PC			RESISTOR;CARBON;47ohm;5%;1W;LEAD WIRE	[P0738:04: {2.0}(R22-R23)]	*NOT available in DP
22	1.0000	PC			RESISTOR;CARBON;1Kohm2;5%;1W;LEAD WIRE	[P0738:02: {1.0}(R32)]	*NOT available in DP
23	4.0000	PC			RESISTOR;CARBON;1Kohm5;5%;1W;LEAD WIRE	[P0738:04: {4.0}(R17-R20)]	*NOT available in DP
24	1.0000	PC			RESISTOR;CARBON;4Kohm7;5%;1W;LEAD WIRE	[P0738:02: {1.0}(R25)]	*NOT available in DP
25	1.0000	PC			RESISTOR;CARBON;10Kohm;5%;1W;LEAD WIRE	[P0738:01: {1.0}(R93)]	*NOT available in DP
26	1.0000	PC			RESISTOR;CARBON;47Kohm;5%;1W;LEAD WIRE	[P0738:02: {1.0}(R33)]	*NOT available in DP
27	2.0000	PC			RESISTOR;CARBON;100Kohm;5%;1W;LEAD WIRE	[P0738:01: {1.0}(R82)]	*NOT available in DP
28	3.0000	PC			RESISTOR;CARBON;220Kohm;5%;1W;LEAD WIRE	[P0738:01: {1.0}(R83)]	*NOT available in DP
29	4.0000	PC			RESISTOR;CARBON;1Mohm;5%;1W;LEAD WIRE	[P0738:02: {2.0}(R29-R30)]	*NOT available in DP
30	1.0000	PC			RESISTOR;METAL;56Kohm;1%;1W;LEAD WIRE	[P0738:02: {1.0}(R35)]	*NOT available in DP
31	5.0000	PC			RESISTOR;METAL;100Kohm;1%;1W;LEAD WIRE	[P0738:02: {5.0}(R26,R28,R34,R43,R55)]	*NOT available in DP
32	1.0000	PC			RESISTOR;METAL;220Kohm;1%;1W;LEAD WIRE	[P0738:02: {1.0}(R40)]	*NOT available in DP
33	4.0000	PC			RESISTOR;CEMENT;100ohm;5%;5W;LEAD WIRE;AXIAL	[P0738:04: {4.0}(R9-R12)]	*NOT available in DP
34	3.0000	PC			RESISTOR;CEMENT;22Kohm;5%;5W;LEAD WIRE;RADIAL;PITCH:5mm;PRECUT:3mm1+/-0mm5	[P0738:02: {3.0}(R27,R37,R57)]	*NOT available in DP
35	1.0000	PC	Y04-11000-00189	I04-11000-00189	THERMISTOR;NTC;10ohm;15%;6A;DIA.;PITCH:10mm;(BQ 10D2-18 LD)	[PSU6:00: {1.0}(R1)]	(UL, JP, BR, HM, SH)

	Quantity	Unit	S.Sku	M.Sku	Description	Reference Designators	Notes
36	1.0000	PC	Y04-12000-03091	I04-12000-03091	THERMISTOR;NTC;20ohm;+/- 20%;4A;DIA;PITCH:7mm5;(THINKING SCK-20200MSY)	[PSU6:00: {1.0}(R1)]	(EU, UK, SAA, AR, RU)

### Potentiometer

	Quantity	Unit	S.Sku	M.Sku	Description	Reference Designators	Notes
1	1.0000	PC	Y03-00000-18521	I03-00000-18521	POTENTIOMETER;1 Mohm;D;20 %;MONO;0.05W;TORQUE:50-90gf.cm;SHAFT:39.6mm	[P0738:01: {1.0}(VR6)]	
2	3.0000	PC		I03-00000-18918	POTENTIOMETER;1 Mohm;A;20 %;MONO;0.05W;TORQUE:50-90gf.cm;SHAFT:39.6mm	[P0738:01: {3.0}(VR2-VR4)]	
3	1.0000	PC		I03-00000-18919	POTENTIOMETER;250 kohm;A;12 %;MONO;0.05W;TORQUE:50-90gf.cm;SHAFT:39.6mm	[P0738:01: {1.0}(VR5)]	
4	1.0000	PC		I03-00000-24052	POTENTIOMETER;500 kohm;A;12 %;MONO;0.05W;TORQUE:50-90gf.cm;SHAFT:39.6mm	[P0738:01: {1.0}(VR1)]	
5	1.0000	PC		I03-27245-05868	POTENTIOMETER;47kohm;TAPER:B;MONO;ROUND-SHAFT:22MM;W/O CC;40-70gf;HIGH TORQUE;(DELTA R0911NOAV1B473EH10A1)	[P0738:04: {1.0}(VR7)]	

### Speaker Part

	Quantity	Unit	S.Sku	M.Sku	Description	Reference Designators	Notes
1	1.0000	PC	X77-00000-85774	H77-00000-85774	WOOFER;8 OHM;POB2G;TS-12G320A8;12 inch;80 watts		
2	1.0000	PC		H77-00000-85775	WOOFER;8 OHM;POB2H;TS-12G400B8;12 inch;100 watts		
3	2.0000	PC		H79-00000-03038	DAMPER;CONEX;TRANSPARENT BLUE;LS-DP125CN01;REVA		
4	1.0000	PC		H79-00100-02378	MAGNET;MG156FE55A;MATERIAL:Y30;156mm*60mm*20mm;DST.NO:001;DPT.NO:02378;(LS-MG156FE55A-REVA.DWG)		
5	1.0000	PC	X79-00100-02653	H79-00100-02653	GASKET;GA305P6_5A;MATERIAL:BLACK PAPER;OUTER DIAMETER:305mm;THICKNESS:6mm5;DST.NO:001;DPT.NO:02653;(LS-GA305P6_5A-REVA.DWG)		
6	1.0000	PC	X79-00100-03201	H79-00100-03201	GASKET;GA304P6A;MATERIAL:PAPER;BLACK;DIAMETER:304mm;HEI GHT:6mm;DST.NO:001;DPT.NO:03201;(LS-GA304P6A-REVA.DWG)		
7	1.0000	PC		H79-00100-06312	MAGNET;MG135FE26A;MATERIAL:Y30;DIA 135x56x15H;DST.NO:001;DPT.NO:06312;(LS-MG135FE26A-REVA.DWG)		
8	2.0000	PC		H79-00100-06315	DUST CAP;DC95CL02A;MATERIAL:BLACK CLOTH;OUTER DIAMETER:95mm;HEIGHT:18mm5;DST.NO:001;DPT.NO:06315;(LS-DC95CL02A-REVA.DWG)		
9	1.0000	PC		H79-00100-14846	VOICE COIL; VC37_5NX6_8A;DST.NO:001;DPT.NO:14846;(LS-VC37_5NX6_8A[R]-REVA.DWG)		
10	1.0000	PC		H79-00100-14847	CONE PAPER, CP297P75_5D;DST.NO:001;DPT.NO:14847;(LS-CP297P75_5D[R]-REVA.DWG)		
11	1.0000	PC		H79-00100-14848	VOICE COIL; VC37_5K7A;DST.NO:001;DPT.NO:14848;(LS-VC37_5K7A[R]-REVA.DWG)		
12	1.0000	PC		H79-00100-14860	CONE PAPER, CP297P75_5E;DST.NO:001;DPT.NO:14860;(LS-CP297P75_5E[R]-REVA.DWG)		

**Switch**

	Quantity	Unit	S.Sku	M.Sku	Description	Reference Designators	Notes
1	1.0000	PC	Y77-03422-02778	I77-03422-02778	SWITCH;RADIAL;2P2T;PCB VERSION;LOCKING;NONSHORT;RAD2P	[P0738:05: {1.0}(SW3)]	
2	1.0000	PC	Y84-02222-00914	I84-02222-00914	SWITCH;ROCKER;2P2T;NO MARKING;LOCKING;NONSHORT;SOLDER LUG;APPROVAL: UL94V0;MR3-221-C2-BBNNC		
3	1.0000	PC		I85-00000-01347	SWITCH;ROTARY;1;6;LOCKING;NONSHORT;1;0;1P6T;TACTILE;W/PCB CONTACTS	[P0738:01: {1.0}(SW1)]	
4	1.0000	PC	Y86-00423-01545	I86-00423-01545	SWITCH;SLIDE;2P3T;PCB VERSION;LOCKING;NONSHORT;PBS-110-K2C21H	[P0738:06: {1.0}(SW4)]	
5	2.0000	PC	Y90-02211-03087	I90-02211-03087	SWITCH;TOGGLE;TOGGLES:1;POLE:1;LOCKING;NONSHORT;SOLDER LUG;/ARCO C3900BAAAB)		

**Transistor**

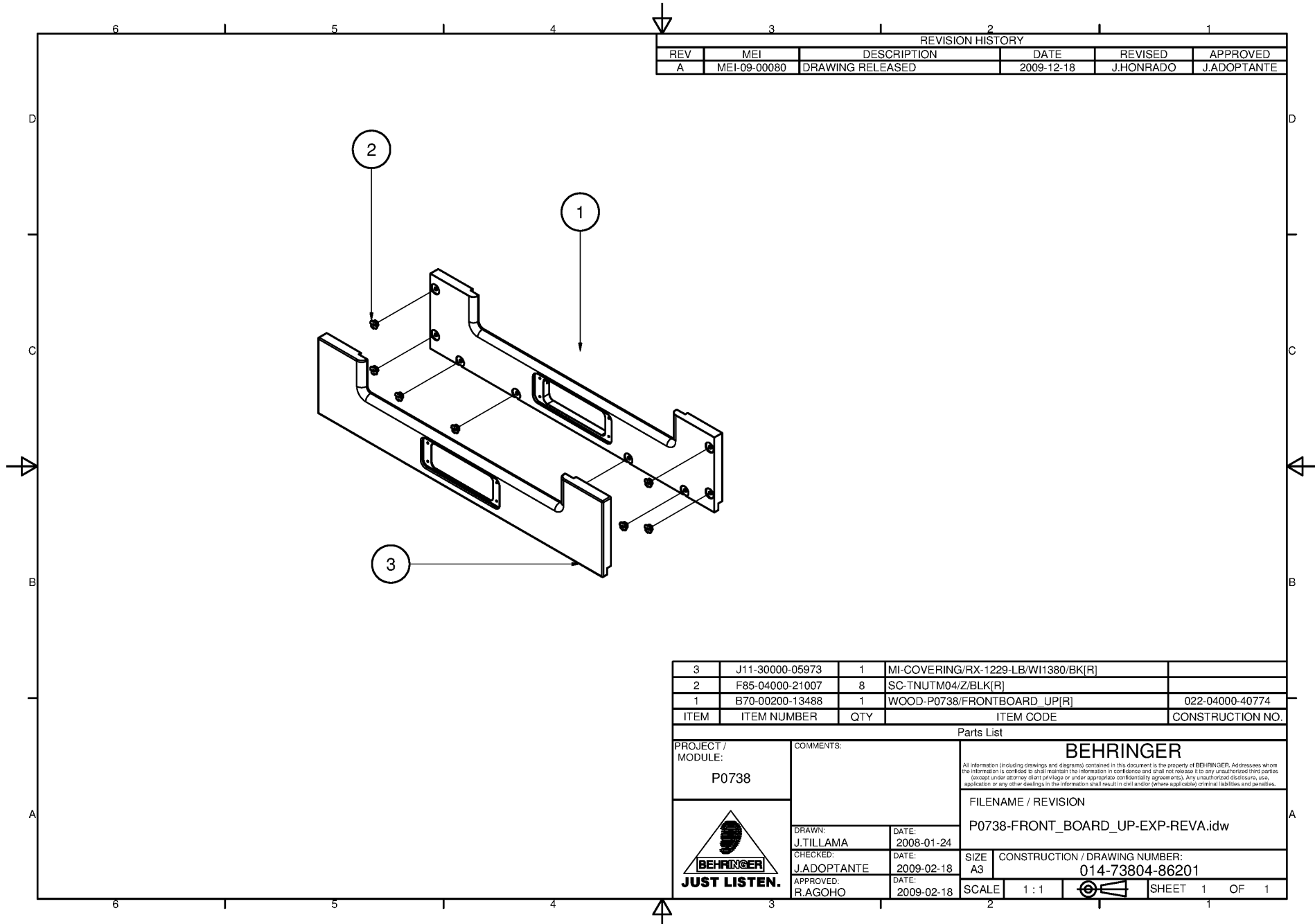
	Quantity	Unit	S.Sku	M.Sku	Description	Reference Designators	Notes
1	1.0000	PC			TRANSISTOR;BC846B;SOT;SMD	[P0738:05: {1.0}(T1)]	*NOT available in DP
2	1.0000	PC			TRANSISTOR;MPSA06;TO92;P:2.54(BENT LEAD)	[P0738:01: {1.0}(T2)]	*NOT available in DP
3	1.0000	PC			TRANSISTOR;KSP44;TO-92	[P0738:05: {1.0}(T3)]	*NOT available in DP

**Cover**

	Quantity	Unit	S.Sku	M.Sku	Description	Reference Designators	Notes
1	0.1500	YD		J11-21054-05196	PVF COVERING;ARTIFICIAL LEATHER;THICKNESS:0.7mm;WIDTH:1380mm;COLOR:IVORY WHITE		
2	1.2600	YD		J11-30000-05973	ARTIFICIAL LEATHER;RX-1229-LB;THICKNESS:0.8mm;WIDTH:1380mm;COLOR:BLACK		


**Vacuum Tube**

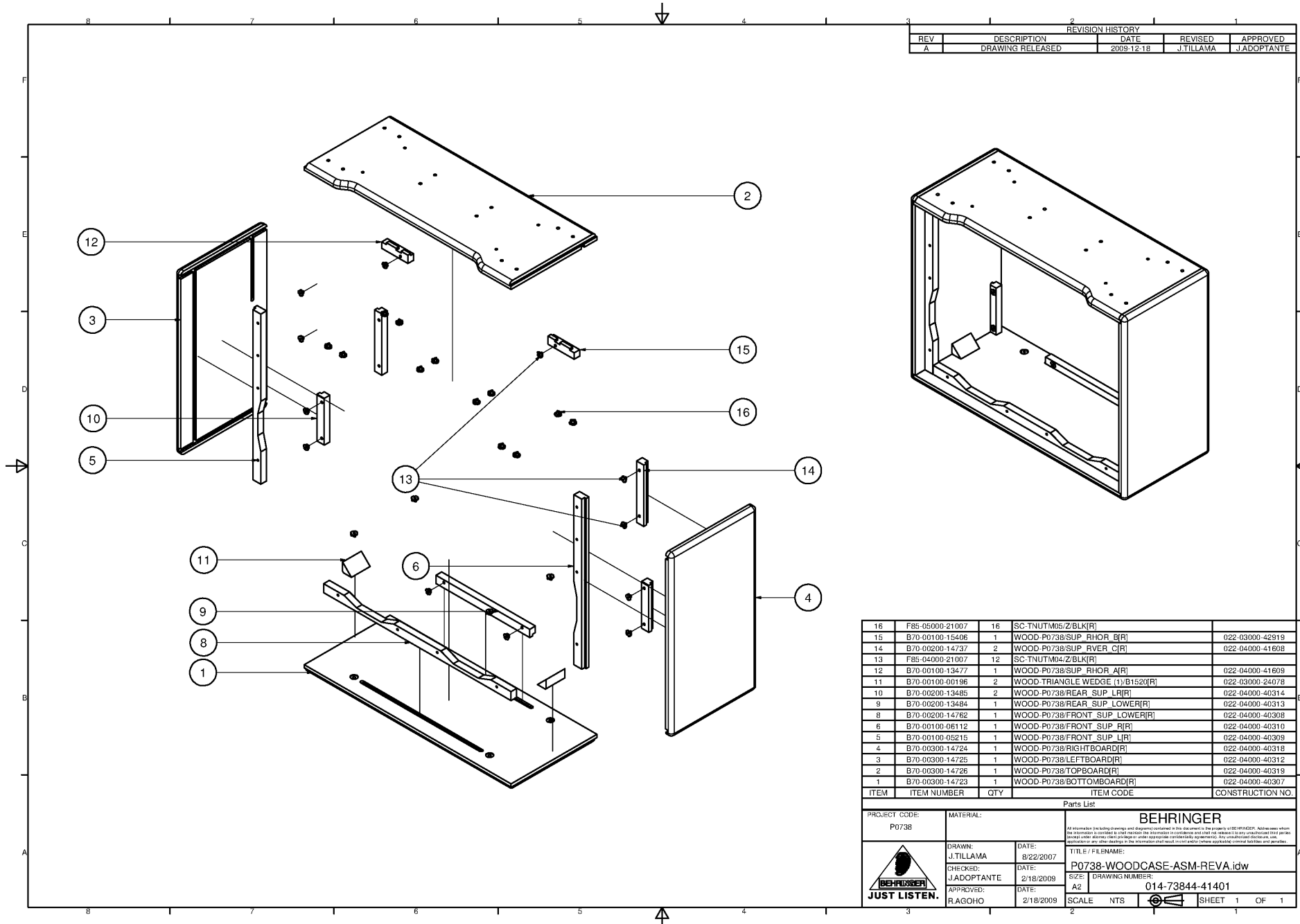
	Quantity	Unit	S.Sku	M.Sku	Description	Reference Designators	Notes
1	4.0000	PC	Z83-69018-47109	J83-69018-47109	TUBE;PENTODE;EL84;SHUGUANG		
2	4.0000	PC		J83-69018-48009	TUBE;PENTODE;EL84;SHUGUANG;NO ARTWORK		
3	2.0000	PC	Z84-17012-17109	J84-17012-17109	TUBE;DOUBLE TRIODE;12AX7A;SHUGUANG		
4	4.0000	PC	Z84-17012-78009	J84-17012-78009	TUBE;DOUBLE TRIODE;12AX7;SHUGUANG;NO ARTWORK		
5	1.0000	PC	Z84-76012-07109	J84-76012-07109	TUBE;DOUBLE TRIODE;P0962;12AX7B;SHUGUANG;FST.NO:001		
6	1.0000	PC	Z84-76012-97109	J84-76012-97109	TUBE;DOUBLE TRIODE;P0963;12AX7C;SHUGUANG;FST.NO:001		
7	1.0000	PC	Z85-85015-57105	J85-85015-57105	TUBE;DOUBLE DIODE;P0983;5AR4;SHUGUANG;FST.NO:001		
8	1.0000	PC		J85-85015-58005	TUBE;DOUBLE DIODE;5AR4;SHUGUANG;NO ARTWORK		



REVISION HISTORY					
REV	MEI	DESCRIPTION	DATE	REVISED	APPROVED
A	MEI-09-00080	DRAWING RELEASED	2009-12-18	J.HONRADO	J.ADOPTANTE

ITEM	ITEM NUMBER	QTY	ITEM CODE	CONSTRUCTION NO.
3	J11-30000-05973	1	MI-COVERING/RX-1229-LB/WI1380/BK[R]	
2	F85-04000-21007	8	SC-TNUTM04/Z/BLK[R]	
1	B70-00200-13488	1	WOOD-P0738/FRONTBOARD_UP[R]	022-04000-40774

PROJECT / MODULE: P0738		COMMENTS:		<p align="center"><b>BEHRINGER</b></p> <small>All information (including drawings and diagrams) contained in this document is the property of BEHRINGER. Addressees whom the information is confined to shall maintain the information in confidence and shall not release it to any unauthorized third parties (except under attorney client privilege or under appropriate confidentiality agreements). Any unauthorized disclosure, use, application or any other dealings in the information shall result in civil and/or (where applicable) criminal liability and penalties.</small>	
		FILENAME / REVISION P0738-FRONT_BOARD_UP-EXP-REVA.idw			
DRAWN: J.TILLAMA	DATE: 2008-01-24	CHECKED: J.ADOPTANTE	DATE: 2009-02-18	SIZE: A3	CONSTRUCTION / DRAWING NUMBER: 014-73804-86201
APPROVED: R.AGOHO	DATE: 2009-02-18	SCALE: 1 : 1		SHEET 1 OF 1	

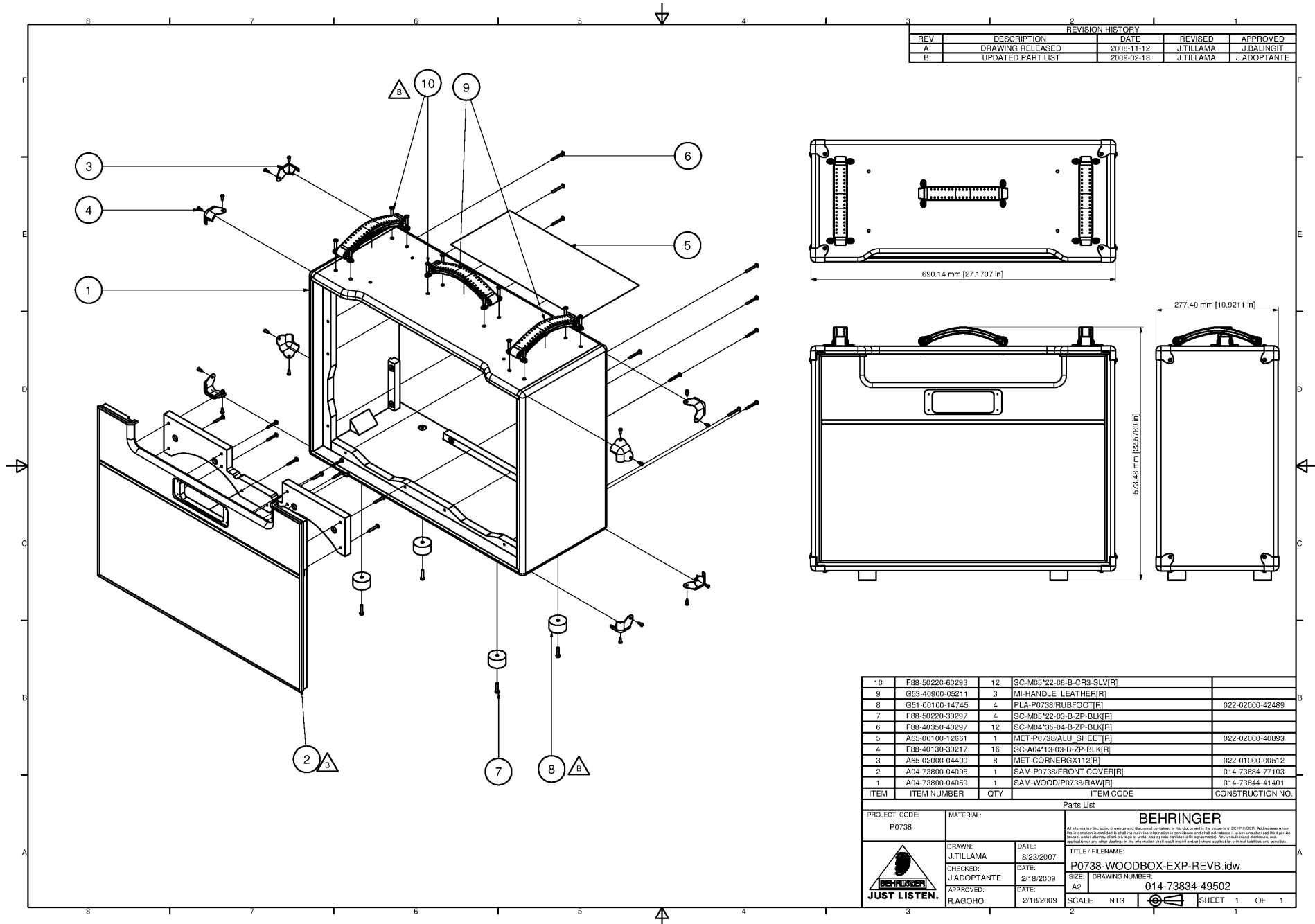


REVISION HISTORY				
REV	DESCRIPTION	DATE	REVISED	APPROVED
A	DRAWING RELEASED	2009-12-18	J.TILLAMA	J.ADOPTANTE

ITEM	ITEM NUMBER	QTY	ITEM CODE	CONSTRUCTION NO.
16	F85-05000-21007	16	SC-TNUTM05/Z/BLK[R]	
15	B70-00100-15406	1	WOOD-P0738/SUP_RHOR_B[R]	022-03000-42919
14	B70-00200-14737	2	WOOD-P0738/SUP_RVER_C[R]	022-04000-41608
13	F85-04000-21007	12	SC-TNUTM04/Z/BLK[R]	
12	B70-00100-13477	1	WOOD-P0738/SUP_RHOR_A[R]	022-04000-41609
11	B70-00100-00196	2	WOOD-TRIANGLE WEDGE (1)/B1520[R]	022-03000-24078
10	B70-00200-13485	2	WOOD-P0738/REAR_SUP_LR[R]	022-04000-40314
9	B70-00200-13484	1	WOOD-P0738/REAR_SUP_LOWER[R]	022-04000-40313
8	B70-00200-14762	1	WOOD-P0738/FRONT_SUP_LOWER[R]	022-04000-40308
6	B70-00100-06112	1	WOOD-P0738/FRONT_SUP_R[R]	022-04000-40310
5	B70-00100-05215	1	WOOD-P0738/FRONT_SUP_L[R]	022-04000-40309
4	B70-00300-14724	1	WOOD-P0738/RIGHTBOARD[R]	022-04000-40318
3	B70-00300-14725	1	WOOD-P0738/LEFTBOARD[R]	022-04000-40312
2	B70-00300-14726	1	WOOD-P0738/TOPBOARD[R]	022-04000-40319
1	B70-00300-14723	1	WOOD-P0738/BOTTOMBOARD[R]	022-04000-40307

PROJECT CODE: P0738		MATERIAL:		<b>BEHRINGER</b>	
DRAWN: J.TILLAMA		DATE: 8/22/2007		TITLE / FILENAME: P0738-WOODCASE-ASM-REVA.idw	
CHECKED: J.ADOPTANTE		DATE: 2/18/2009		SIZE: DRAWING NUMBER: A2 014-73844-41401	
APPROVED: R.AGOHO		DATE: 2/18/2009		SCALE NTS: 1 OF 1	

All information (including drawings and diagrams) contained in this document is the property of BEHRINGER. Acknowledges when the information is obtained in this manner for the purpose of reproduction and use of the information in any other form without the prior written consent of BEHRINGER. All rights reserved. BEHRINGER is not responsible for any errors or omissions in this document. BEHRINGER is not responsible for any damage or loss of information caused by the use of this document. BEHRINGER is not responsible for any damage or loss of information caused by the use of this document.



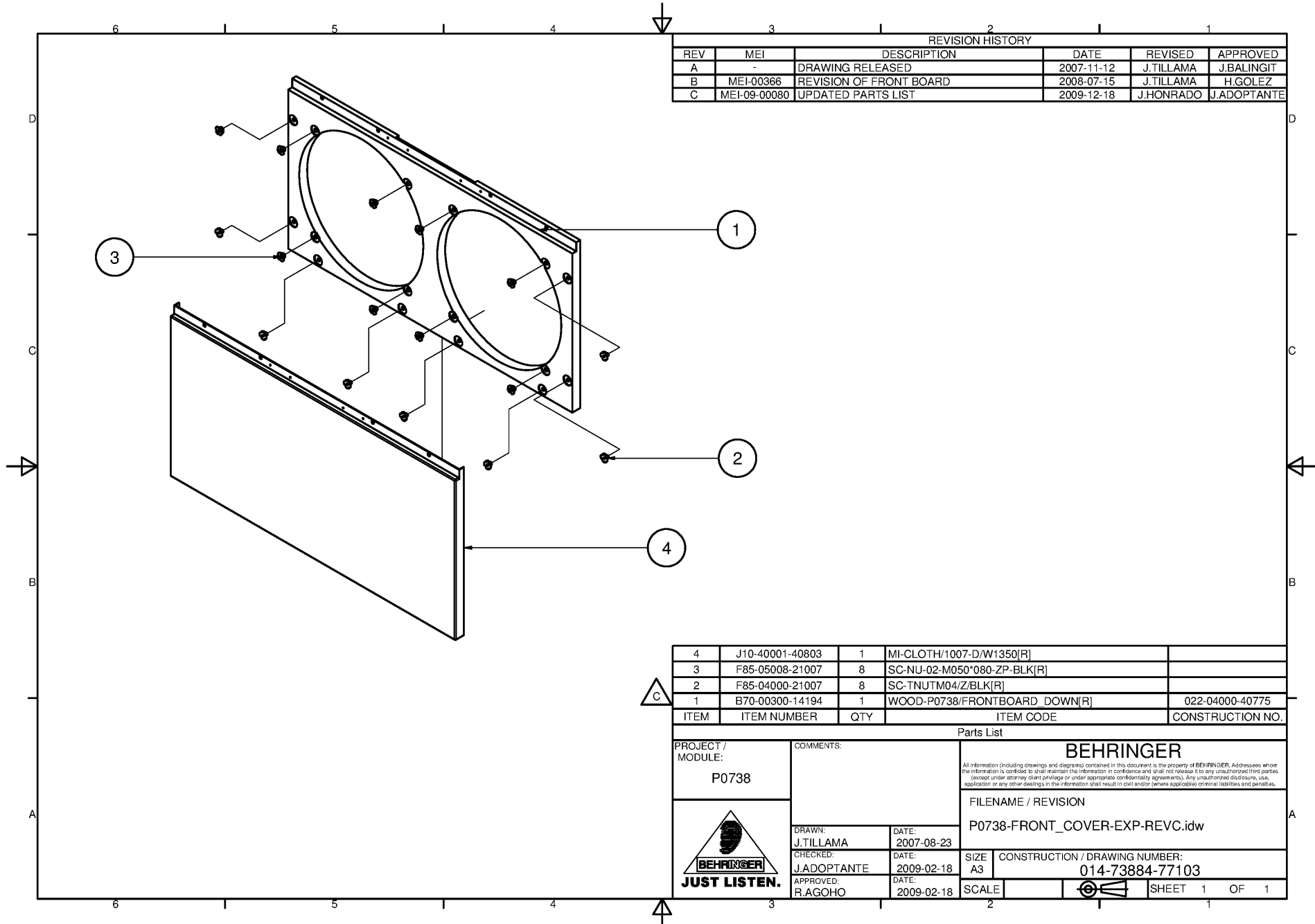
REVISION HISTORY				
REV	DESCRIPTION	DATE	REVISED	APPROVED
A	DRAWING RELEASED	2008-11-12	J.TILLAMA	J.BALINGIT
B	UPDATED PART LIST	2009-02-18	J.TILLAMA	J.ADOPTANTE

ITEM	ITEM NUMBER	QTY	ITEM CODE	CONSTRUCTION NO.
10	F88-50220-60293	12	SC-M05*22-06-B-CR3-SLV[R]	
9	G53-40900-05211	3	MI-HANDLE LEATHER[R]	
8	G51-00100-14745	4	PLA-P0738/RUBFOOT[R]	022-02000-42489
7	F88-50220-30297	4	SC-M05*22-03-B-ZP-BLK[R]	
6	F88-40360-40297	12	SC-M04*35-04-B-ZP-BLK[R]	
5	A65-00100-12661	1	MET-P0738/ALU SHEET[R]	022-02000-40893
4	F88-40130-30217	16	SC-A04*13-03-B-ZP-BLK[R]	
3	A65-02000-04400	8	MET-CORNERGX112[R]	022-01000-00512
2	A04-73800-04095	1	SAM-P0738/FRONT COVER[R]	014-73884-77103
1	A04-73800-04059	1	SAM-WOOD/P0738/RAW[R]	014-73844-41401

PROJECT CODE: P0738		MATERIAL:		Parts List <b>BEHRINGER</b>	
DRAWN: J.TILLAMA		DATE: 8/23/2007		TITLE / FILENAME: P0738-WOODBOX-EXP-REVB.idw	
CHECKED: J.ADOPTANTE		DATE: 2/18/2009		SIZE: DRAWING NUMBER: A2 014-73834-49502	
APPROVED: R.AGOHO		DATE: 2/18/2009		SCALE NTS: 1 OF 1	



All information (including drawings and diagrams) contained in this document is the property of BEHRINGER. Actual uses where the information is included in this document may vary without notice and without liability to BEHRINGER. Actual uses where the information is included in this document may vary without notice and without liability to BEHRINGER. Actual uses where the information is included in this document may vary without notice and without liability to BEHRINGER.

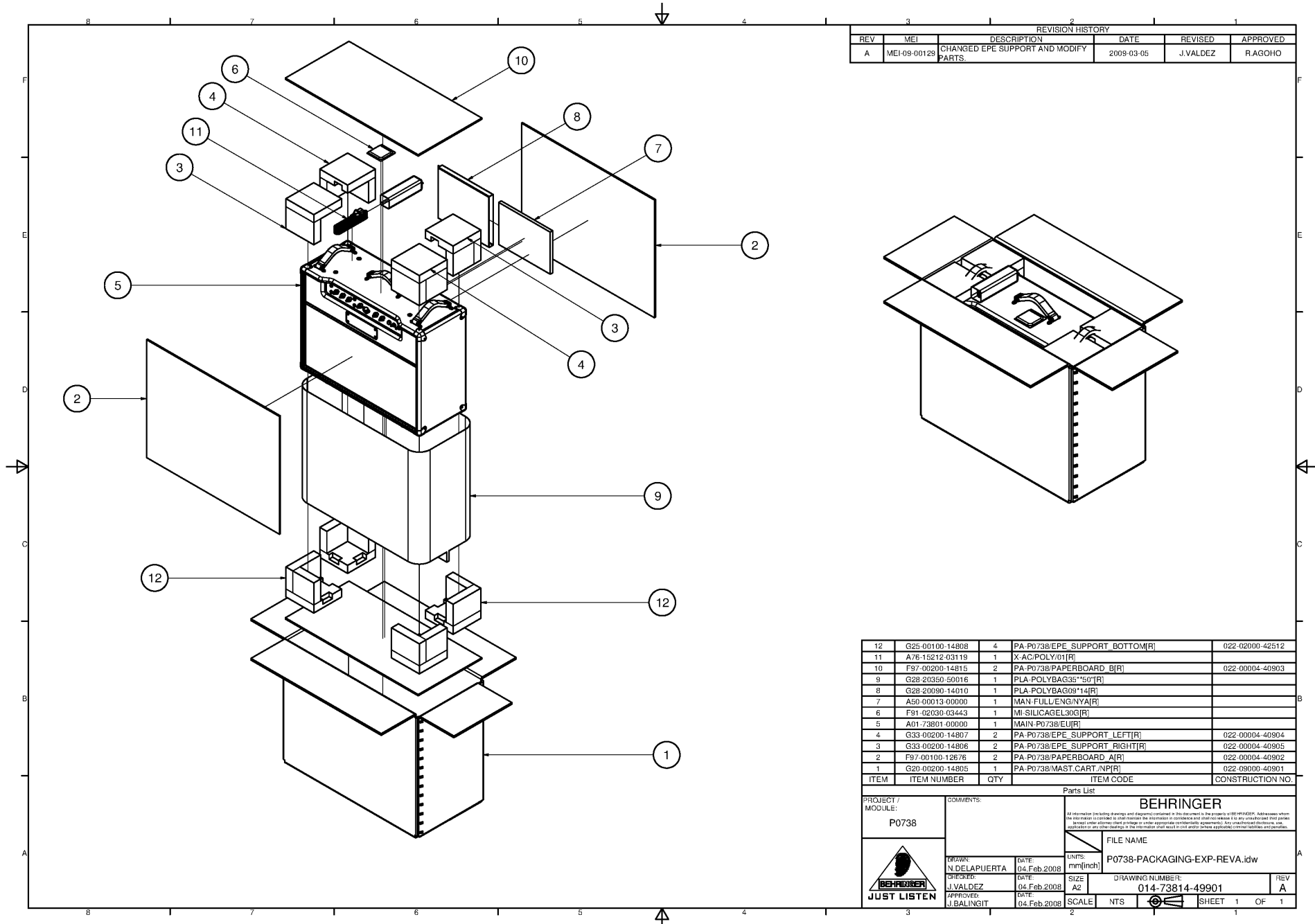




REVISION HISTORY					
REV	MEI	DESCRIPTION	DATE	REVISED	APPROVED
A	-	DRAWING RELEASED	2007-11-12	J.TILLAMA	J.BALINGIT
B	MEI-00366	REVISION OF FRONT BOARD	2008-07-15	J.TILLAMA	H.GOLEZ
C	MEI-09-00080	UPDATED PARTS LIST	2009-12-18	J.HONRADO	J.ADOPTANTE

ITEM	ITEM NUMBER	QTY	ITEM CODE	CONSTRUCTION NO.
4	J10-40001-40803	1	MI-CLOTH/1007-D/W1350[R]	
3	F85-05008-21007	8	SC-NU-02-M050*080-ZP-BLK[R]	
2	F85-04000-21007	8	SC-TNUTM04/Z/BLK[R]	
1	B70-00300-14194	1	WOOD-P0738/FRONTBOARD_DOWN[R]	022-04000-40775

PROJECT / MODULE: <b>P0738</b>		COMMENTS:		<b>BEHRINGER</b> <small>All information (including drawings and diagrams) contained in this document is the property of BEHRINGER. Addressees whom the information is confined to shall maintain the information in confidence and shall not release it to any unauthorized third parties (except under attorney client privilege or under appropriate confidentiality agreements). Any unauthorized disclosure, use, application or any other dealings in the information shall result in civil and/or (where applicable) criminal liabilities and penalties.</small>	
		FILENAME / REVISION P0738-FRONT_COVER-EXP-REVC.idw			
DRAWN: J.TILLAMA	DATE: 2007-08-23	CHECKED: J.ADOPTANTE	DATE: 2009-02-18	SIZE A3	CONSTRUCTION / DRAWING NUMBER: 014-73884-77103
APPROVED: R.AGOHO	DATE: 2009-02-18	SCALE 	SHEET 1 OF 1		

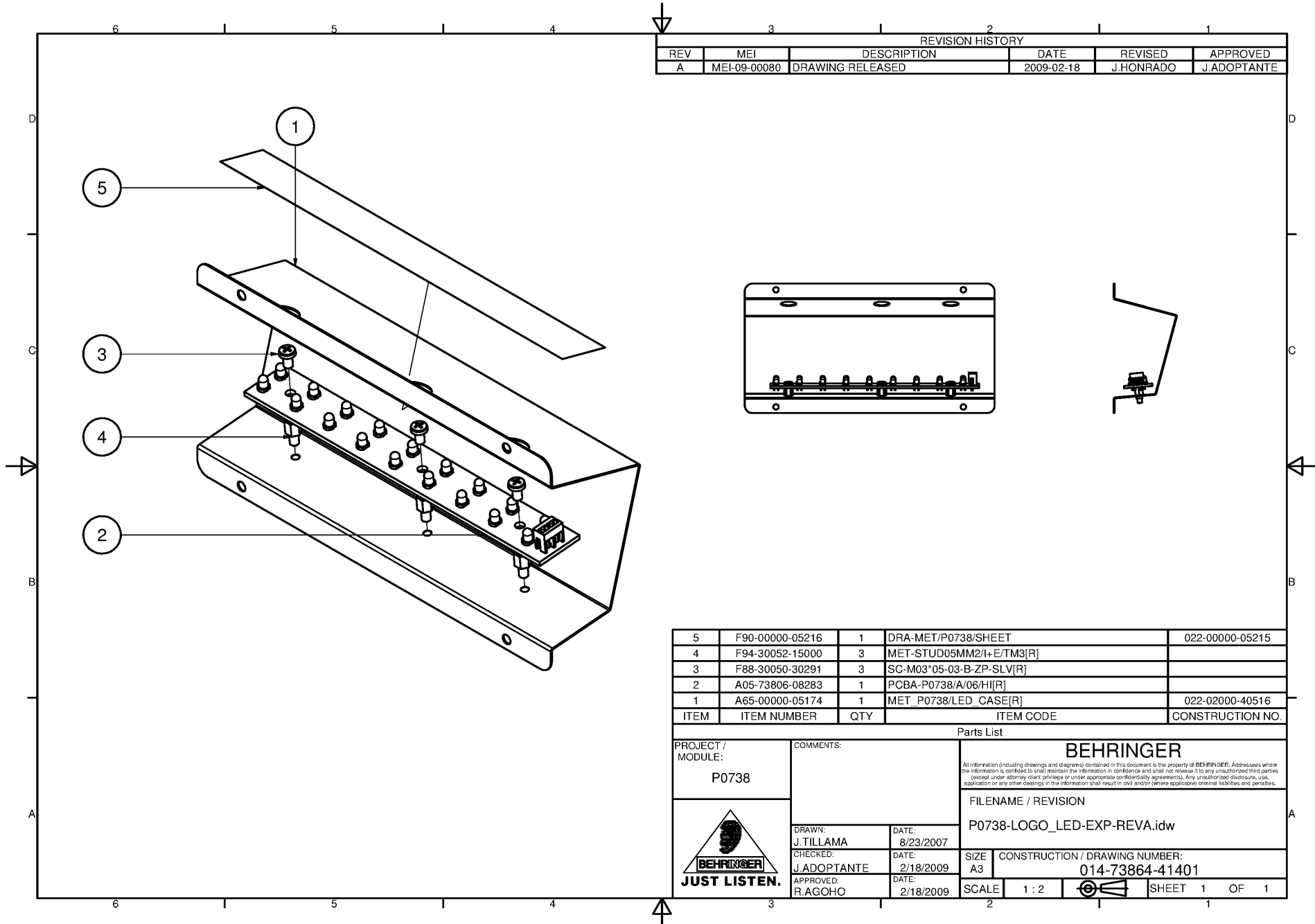


REVISION HISTORY					
REV	MEI	DESCRIPTION	DATE	REVISED	APPROVED
A	MEI-09-00128	CHANGED EPE SUPPORT AND MODIFY PARTS.	2009-03-05	J.VALDEZ	R.AGOHO

ITEM	ITEM NUMBER	QTY	ITEM CODE	CONSTRUCTION NO.
12	G25-00100-14808	4	PA-P0738/EPE_SUPPORT_BOTTOM[R]	022-02000-42512
11	A76-15212-03119	1	X-AC/POLY01[R]	
10	F97-00200-14815	2	PA-P0738/PAPERBOARD_B[R]	022-00004-40903
9	G28-20350-50016	1	PLA-POLYBAG35"50"[R]	
8	G28-20090-14010	1	PLA-POLYBAG09"14"[R]	
7	A50-00013-00000	1	MAN-FULL/ENG/NYA[R]	
6	F91-02030-03443	1	MI-SILICAGEL30G[R]	
5	A01-73801-00000	1	MAIN-P0738/EUR[R]	
4	G33-00200-14807	2	PA-P0738/EPE_SUPPORT_LEFT[R]	022-00004-40904
3	G33-00200-14806	2	PA-P0738/EPE_SUPPORT_RIGHT[R]	022-00004-40905
2	F97-00100-12676	2	PA-P0738/PAPERBOARD_A[R]	022-00004-40902
1	G20-00200-14805	1	PA-P0738/MAST.CART./NP[R]	022-09000-40901


Parts List

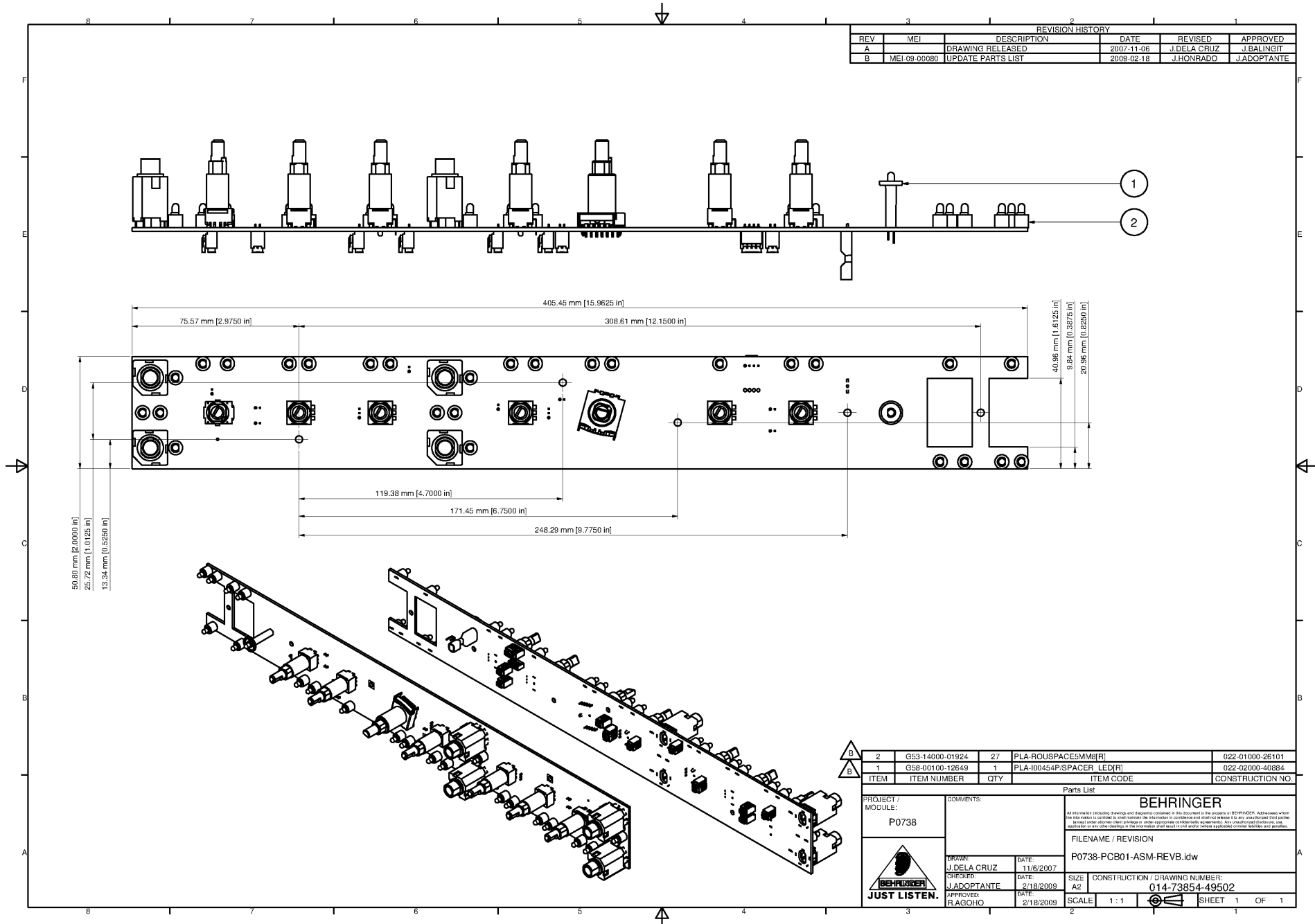
PROJECT / MODULE: P0738	COMMENTS:	<b>BEHRINGER</b> <small>All information (including drawings and documents) contained in this document is the property of BEHRINGER. Addresses where the information is provided is used to ensure the information is considered and checked for release. No any confidential third parties (except other Behringers) shall be used or reproduced without the prior written approval of BEHRINGER. Any unauthorized disclosure, use, reproduction or any other changes in the information shall result in legal action and/or where applicable criminal penalties and penalties.</small>	
	DRAWN: N.DELAPUERTA CHECKED: J.VALDEZ APPROVED: J.BALINGIT	DATE: 04.Feb.2008 DATE: 04.Feb.2008 DATE: 04.Feb.2008	UNITS: mm[inch] SIZE: A2 DRAWING NUMBER: 014-73814-49901 SCALE: NTS SHEET 1 OF 1



REVISION HISTORY					
REV	MEI	DESCRIPTION	DATE	REVISED	APPROVED
A	MEI-09-00080	DRAWING RELEASED	2009-02-18	J.HONRADO	J.ADOPTANTE

ITEM	ITEM NUMBER	QTY	ITEM CODE	CONSTRUCTION NO.
5	F90-00000-05216	1	DRA-MET/P0738/SHEET	022-00000-05215
4	F94-30052-15000	3	MET-STUD05MM2/H-E/TM3[R]	
3	F88-30050-30291	3	SC-M03*05-03-B-ZP-SLV[R]	
2	A05-73806-08283	1	PCBA-P0738/A/06/HI[R]	
1	A65-00000-05174	1	MET_P0738/LED_CASE[R]	022-02000-40516

PROJECT / MODULE: <b>P0738</b>		COMMENTS:		<b>BEHRINGER</b> <small>All information (including drawings and diagrams) contained in this document is the property of BEHRINGER. Addressee whom the information is confined to shall maintain the information in confidence and shall not release it to any unauthorized third parties (except under attorney client privilege or under appropriate confidentiality agreements). Any unauthorized disclosure, use, application or any other dealings in the information shall result in civil and/or (where applicable) criminal liabilities and penalties.</small>	
		DRAWN: J.TILLAMA CHECKED: J.ADOPTANTE APPROVED: R.AGOHO			
		DATE: 8/23/2007 DATE: 2/18/2009 DATE: 2/18/2009		SIZE: A3 CONSTRUCTION / DRAWING NUMBER: 014-73864-41401	
		SCALE: 1:2		SHEET 1 OF 1	



REVISION HISTORY						
REV	MEI	DESCRIPTION	DATE	REVISED	APPROVED	
A		DRAWING RELEASED	2007-11-06	J.DELA CRUZ	J.BALINGIT	
B	MEI-09-00080	UPDATE PARTS LIST	2009-02-18	J.HONRADO	J.ADOPTANTE	

ITEM	ITEM NUMBER	QTY	ITEM CODE	CONSTRUCTION NO.
2	G53-14000-01924	2/7	PLA-ROUSPACE5MM[R]	022-01000-26101
1	G58-00100-12649	1	PLA-100484P/SPACER_LED[R]	022-02000-40884

PROJECT / MODULE:		COMMENTS:		BEHRINGER	
P0738				All information (including drawings and diagrams) contained in this document is the property of BEHRINGER. Addresses whom the information is provided to shall maintain the information in confidence and shall not release it to any other person without the prior written consent of BEHRINGER. Any unauthorized disclosure, use, modification or any other changes in the information shall result in immediate and possibly severe discipline and penalties.	
		FILENAME / REVISION		P0738-PCB01-ASM-REV.B.idw	
DRAWN: J.DELA CRUZ		DATE: 11/6/2007		SIZE: CONSTRUCTION / DRAWING NUMBER:	
CHECKED: J.ADOPTANTE		DATE: 2/18/2009		A2 014-73854-49502	
APPROVED: R.AGOHO		DATE: 2/18/2009		SCALE: 1:1	
				SHEET 1 OF 1	



*Bugera*