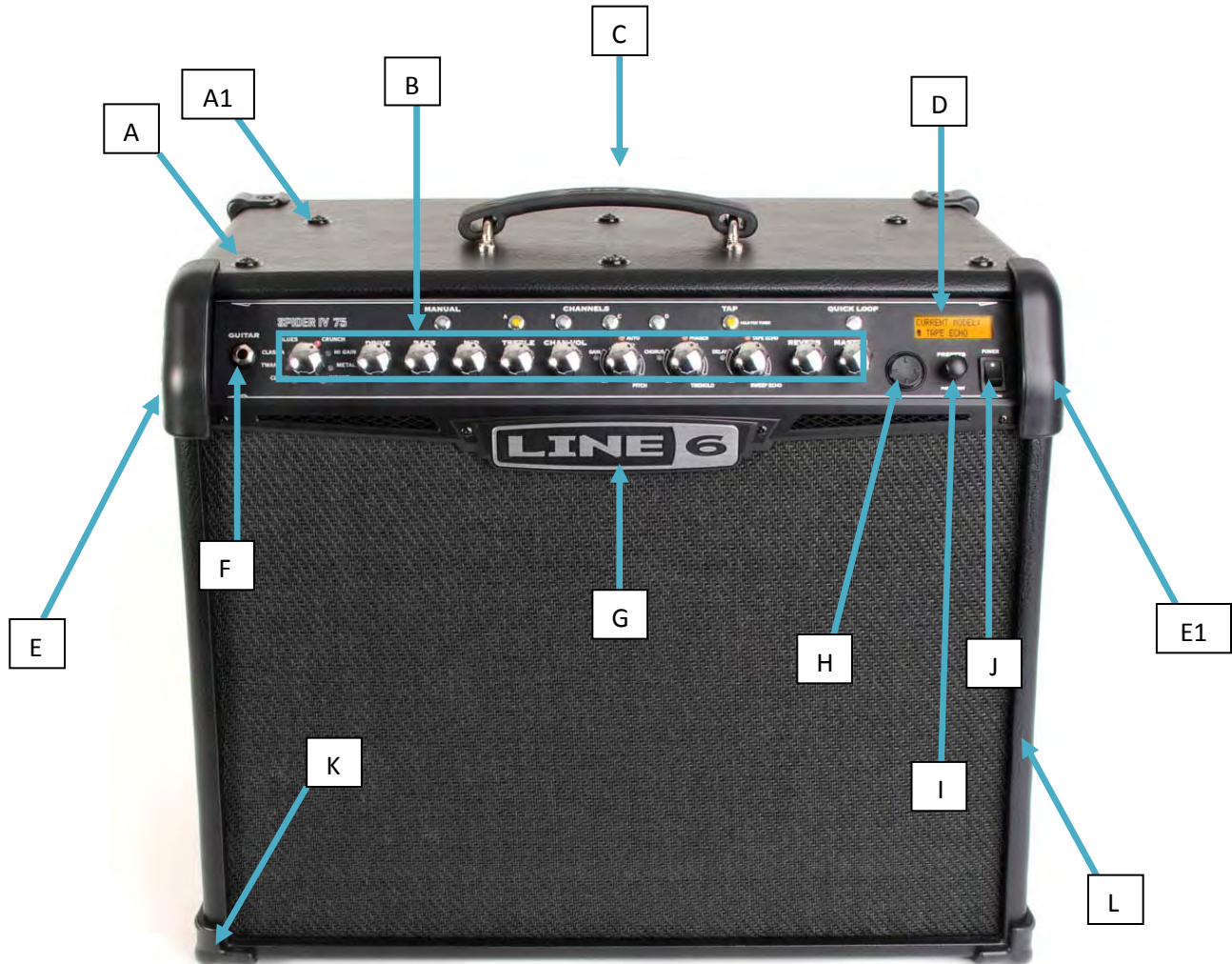




US Model # 99-010-3405
 Australian Model # 99-010-3401
 European Model # 99-010-3402
 Japanese Model # 99-010-3403
 UK Model # 99-010-3404

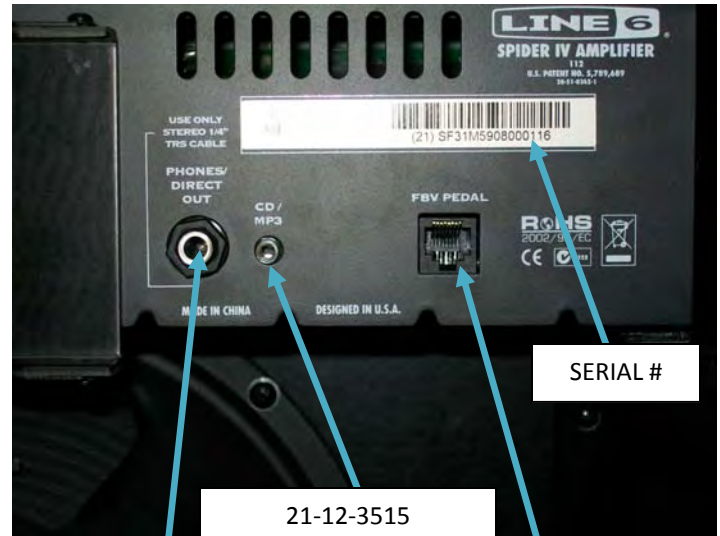
**Spider IV 75 Watt
 Combo Amplifier**
Quick View Parts Guide



A	30-00-0015	SCREW 10-24 UNC x 1.000" TRUSS-HD BLACK-OXIDE
A1	30-03-0112	WASHER FINISHING #10 FLANGED STL BLK OXIDE
B	30-45-0023	KNOB 0.77" DIA X 0.71" HT PLAS TIC CHROME PLATED
C	30-57-0008	HANDLE ASSY CABINET
D	30-42-0026-3	VERLAY UI 25.1" X 2.3" X.040" CLEAR PC
E	30-27-0351-1	CORNER FRONT RT 4.0 X 3.6 X .90 BLK PLASTIC
E1	30-27-0351-2	CORNER FRONT LEFT 4.0 X 3.6 X .90 BLK PLASTIC
F	21-00-6617	JACK 1/4" TRS PCB MOUNT 6 PIN HORIZONTAL W/CHROME HRDWARE
G	30-60-0012	LOGO FRAME LINE 6 212 HD150 HI IMPACT ABS
H	5 PC	SEE INTERFACE BOARD
I	30-45-0027	KNOB ENCODER .55 DIA X .50 HT ABS BLK
J	24-24-0607	SWITCH POWER ROCKER 6A/250V 10A/120V w/o OFF CAP
K	30-27-0352	CORNER SMALL 1.3 X 1.3 X 1.3 PLASTIC
L	50-03-0060	ASSY CABINET

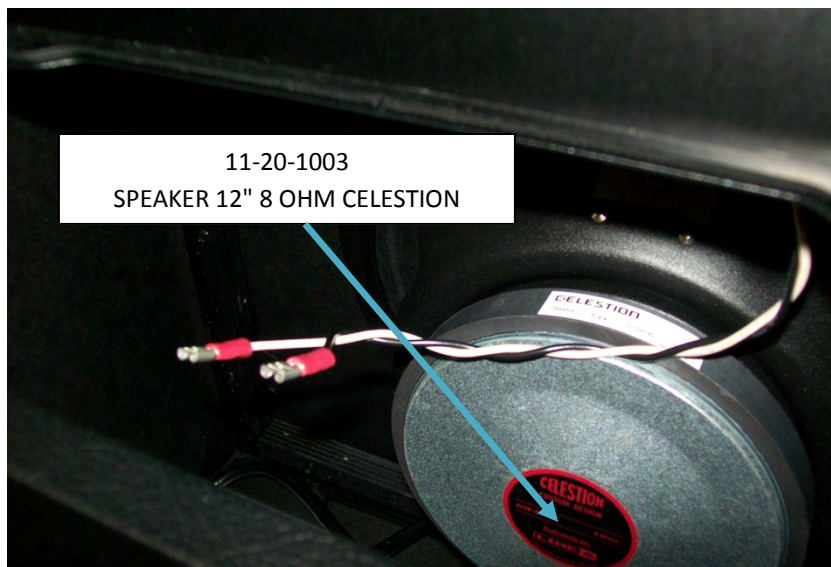


21-14-0002
 JACK IEC w/FUSE MALE 3 PIN PANEL
 MOUNT SNAP IN



21-12-3515
 JACK 3.5MM STEREO

SERIAL #



11-20-1003
 SPEAKER 12" 8 OHM CELESTION

21-16-0045
 JACK RJ-45 MOD 8/8 RT/A
 FEMALE PCB 50AU

21-00-6617
 JACK 1/4" TRS PCB MOUNT 6 PIN

11-30-0006
 XFMR 100/120VAC 50/60Hz 76MM 34VAC x 2 /
 9.8VAC 1-CONNECTOR

CHASSIS COMPLETE
 50-04-0072-1

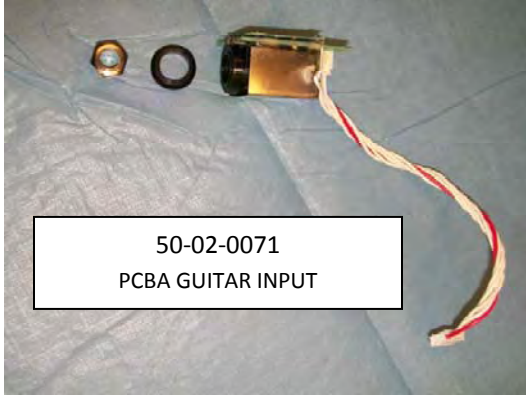




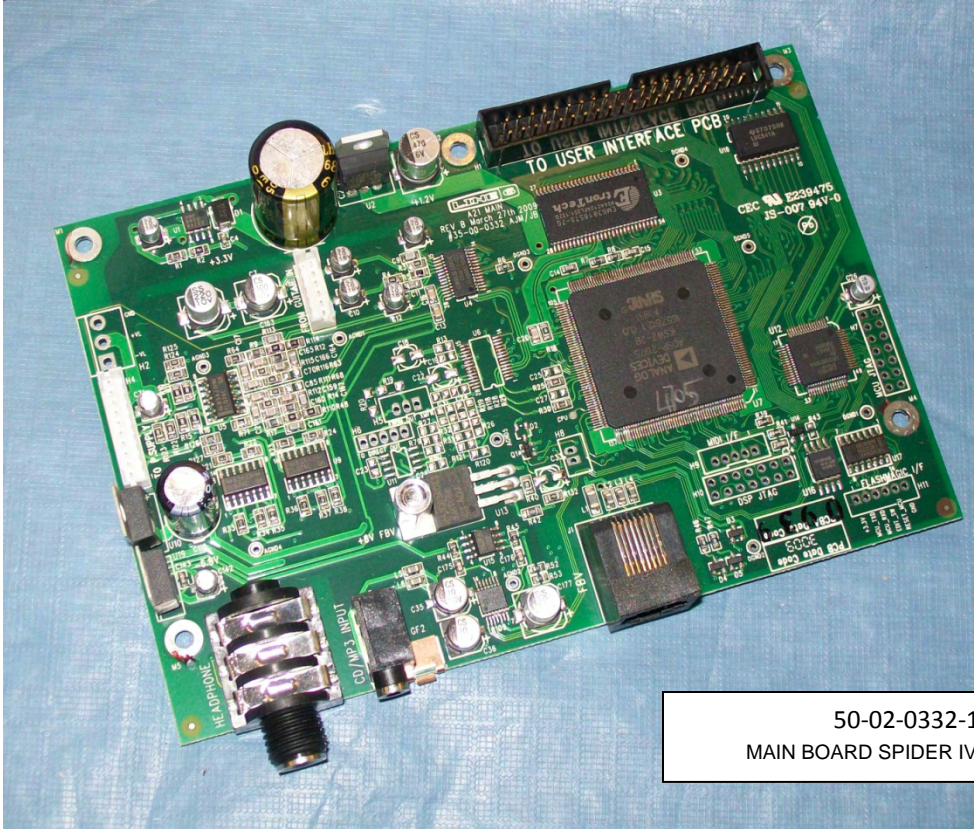
MAIN BOARD ASSY



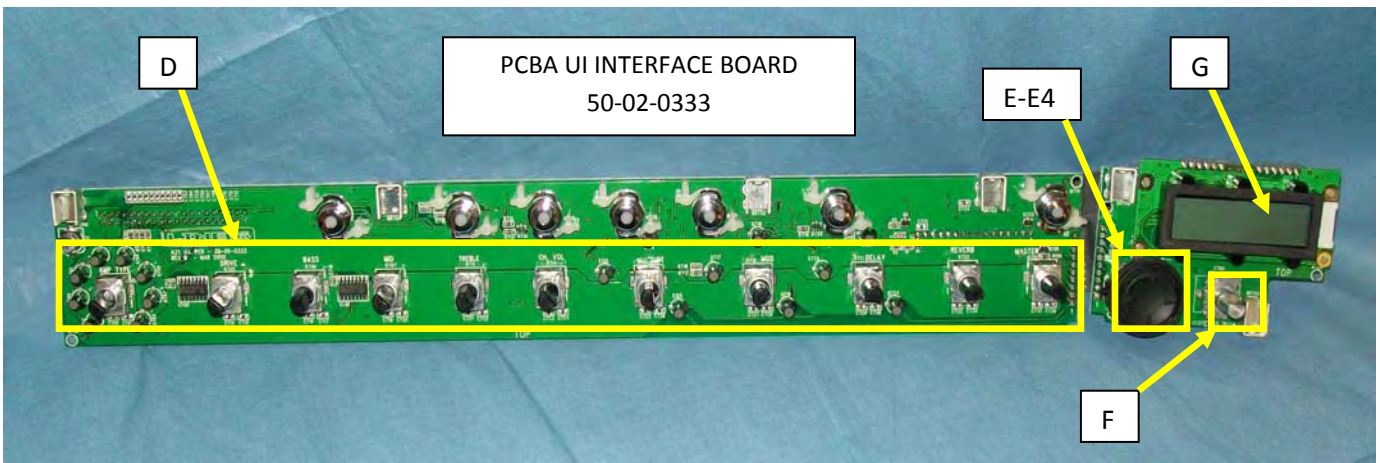
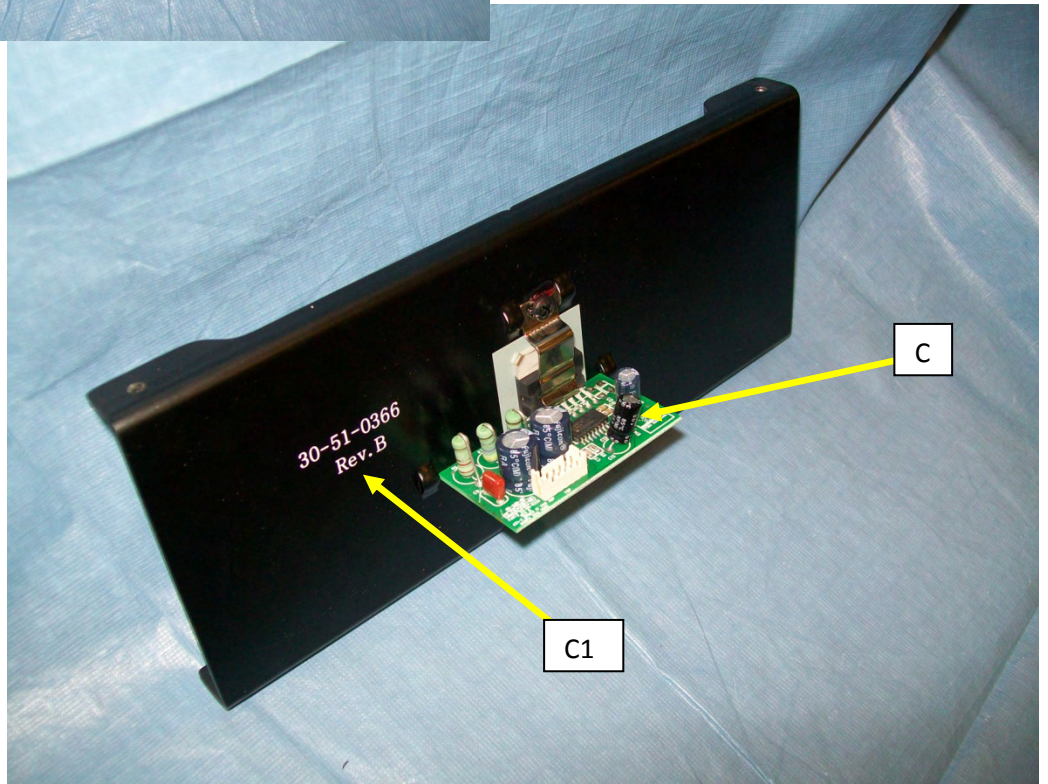
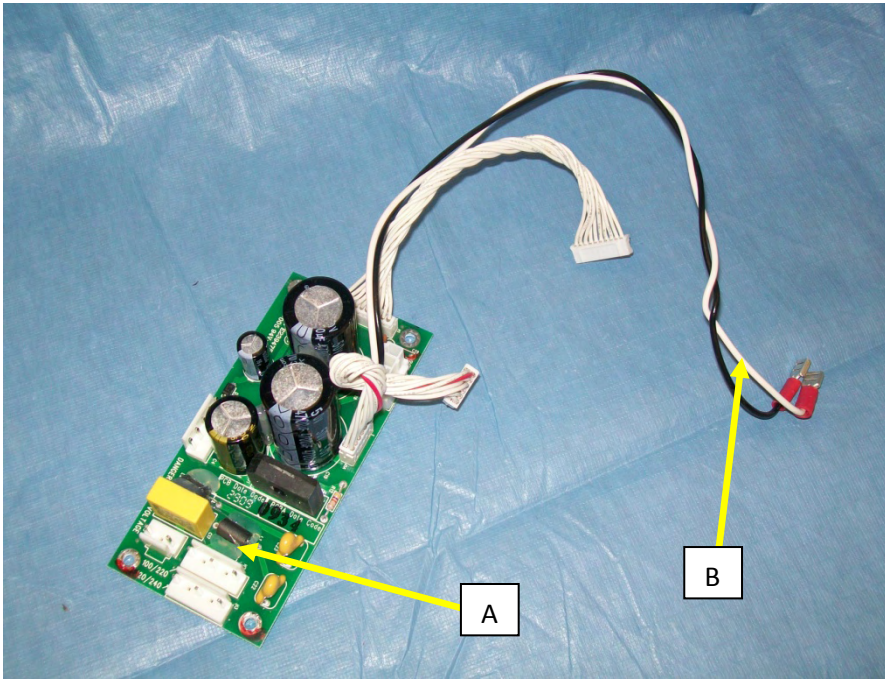
21-34-0090-1
RIBBON CABLE 40 POS



50-02-0071
PCBA GUITAR INPUT



50-02-0332-1
MAIN BOARD SPIDER IV 75 WATT

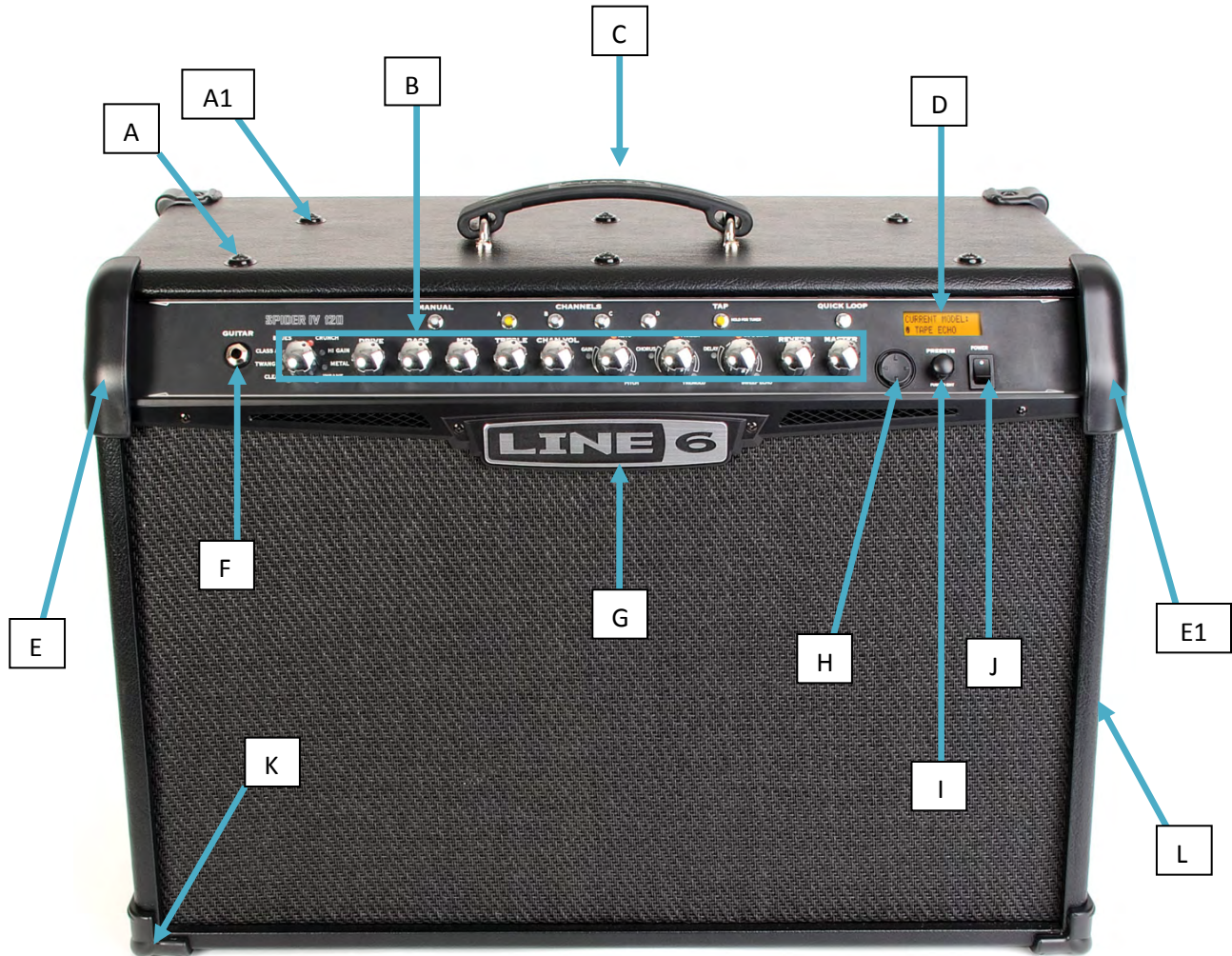


A	50-02-0335	PCBA POWER SUPPLY 75W
B	30-51-0366	PCBA SPEAKER OUT
C	50-02-0335	PCBA POWER AMP 75W
C1	30-51-0366	HEATSINK 8.0" X 3.5" ALUMINUM ALLOY BLK
D	01-48-6103	POT MONO 10KB LINEAR TAPER 25MM W/9MM NUT D-SHAFT
E	30-27-0218	BUTTON 4 WAY BOTTOM .8 DIA x 0.5 HT ABS
E1	30-27-0221	4-WAY SW PIVOT PIN .37 x .200 DIA NYLON 6/6 WHITE
E2	30-27-0363	BUTTON 4 WAY TOP .8 DIA X .4 H T ABS
E3	30-27-0364	FRAME 4-WAY 1.04 DIA X 0.7 ABS A15 A21 A23
E4	30-63-0028	FOAM RING 4-WAY SW RET PU .75 OD x .40 ID x .18 HT BLK
F	24-12-0010	ENCODER 20 STEP w/SWITCH 20MM D-SHAFT METAL V-MNT PCB
G	50-02-0083	PCBA DISPLAY LCD 2 x 16 POS CHARACTER 12-O'CLOCK AMBER



US Model # 99-010-3505
 Australian Model # 99-010-3501
 European Model # 99-010-3502
 Japanese Model # 99-010-3503
 UK Model # 99-010-3504

**Spider IV 120 Watt
 Combo Amplifier**
Quick View Parts Guide



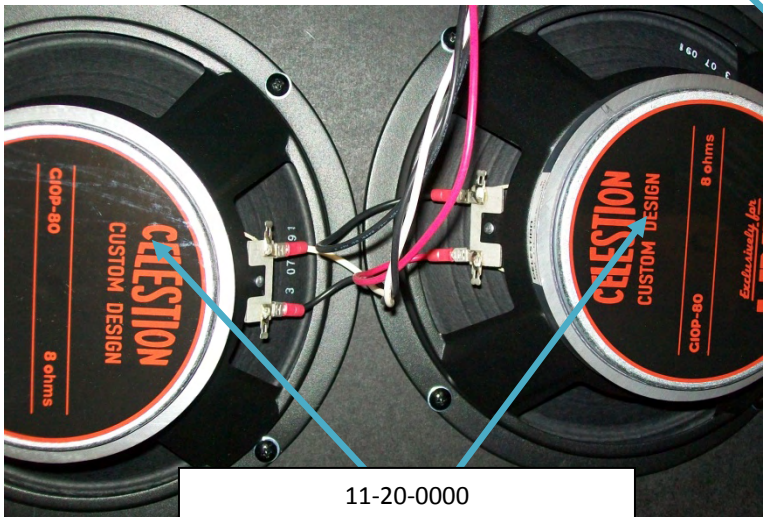
A	30-00-0015	SCREW 10-24 UNC x 1.000" TRUSS-HD BLACK-OXIDE
A1	30-03-0112	WASHER FINISHING #10 FLANGED STL BLK OXIDE
B	30-45-0023	KNOB 0.77" DIA X 0.71" HT PLAS TIC CHROME PLATED
C	30-57-0008	HANDLE ASSY CABINET
D	30-42-0026-3	VERLAY UI 25.1" X 2.3" X.040" CLEAR PC
E	30-27-0351-1	CORNER FRONT RT 4.0 X 3.6 X .90 BLK PLASTIC
E1	30-27-0351-2	CORNER FRONT LEFT 4.0 X 3.6 X .90 BLK PLASTIC
F	21-00-6617	JACK 1/4" TRS PCB MOUNT 6 PIN HORIZONTAL W/CHROME HRDWARE
G	30-60-0012	LOGO FRAME LINE 6 212 HD150 HI IMPACT ABS
H	5 PC	SEE INTERFACE BOARD
I	30-45-0027	KNOB ENCODER .55 DIA X .50 HT ABS BLK
J	24-24-0607	SWITCH POWER ROCKER 6A/250V 10A/120V w/O OFF CAP
K	30-27-0352	CORNER SMALL 1.3 X 1.3 X 1.3 PLASTIC
L	50-03-0062	ASSY CABINET SPIDER IV-150 212



NAME OF UNIT AND WATTAGE
(JUST ABOVE IS UNIT SERIAL #)

21-00-6617
JACK 1/4" TRS PCB MOUNT 6 PIN

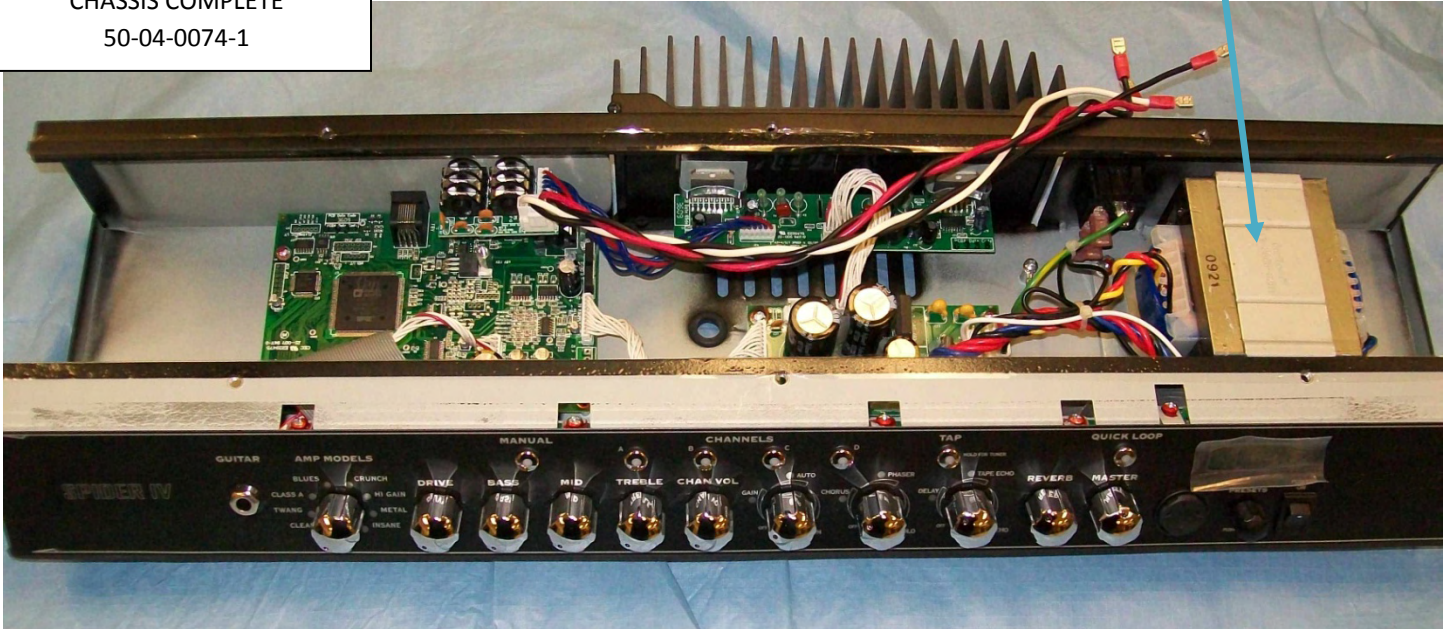
21-14-0002
JACK IEC w/FUSE MALE 3 PIN PANEL
MOUNT SNAP IN



11-20-0000
SPEAKER 12" 8 OHM CELESTION

11-30-0036
XFMR 100/120VAC 34Vx2/9V 86MM SPIDER4

CHASSIS COMPLETE
50-04-0074-1

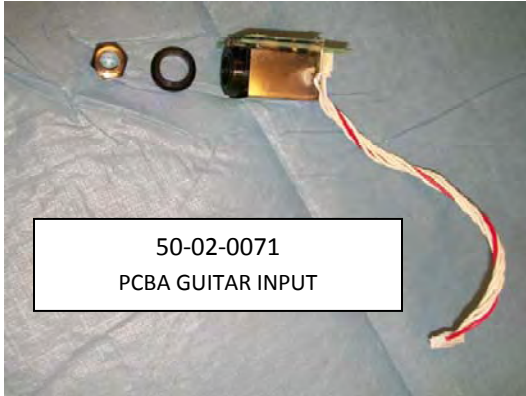




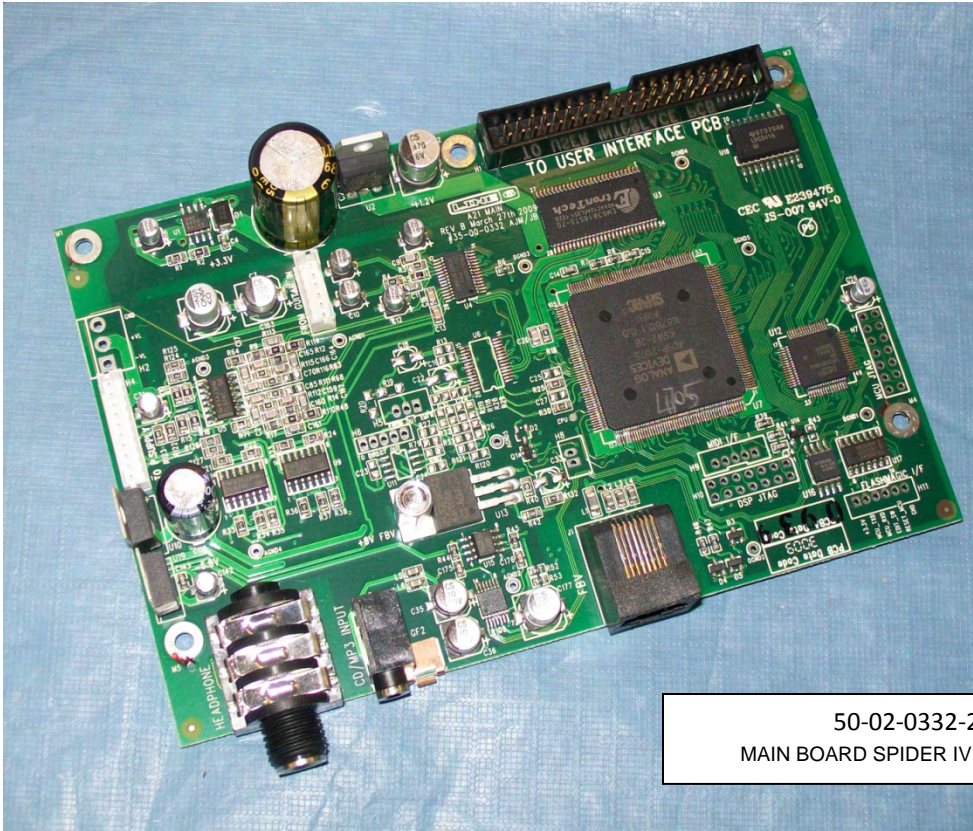
MAIN BOARD ASSY



21-34-0090-1
RIBBON CABLE 40 POS

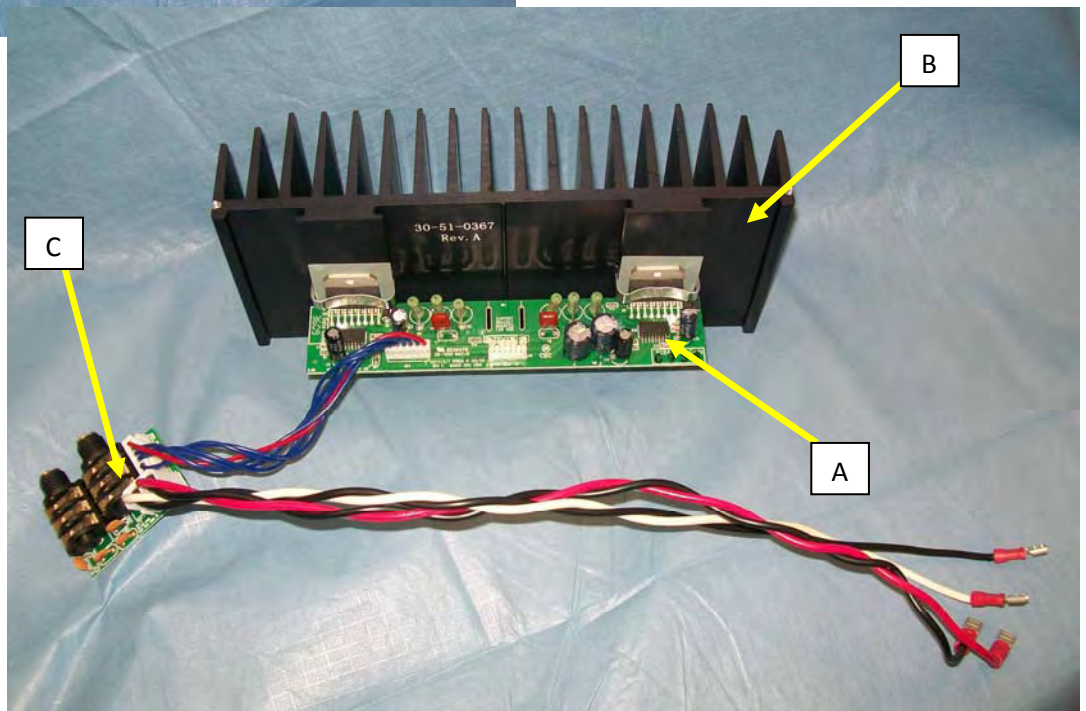
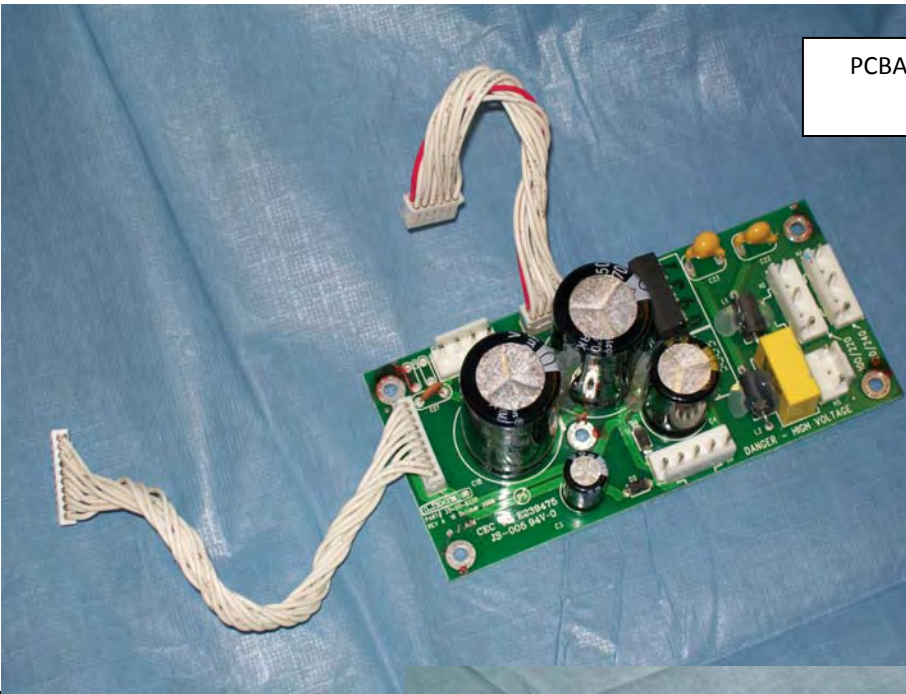


50-02-0071
PCBA GUITAR INPUT

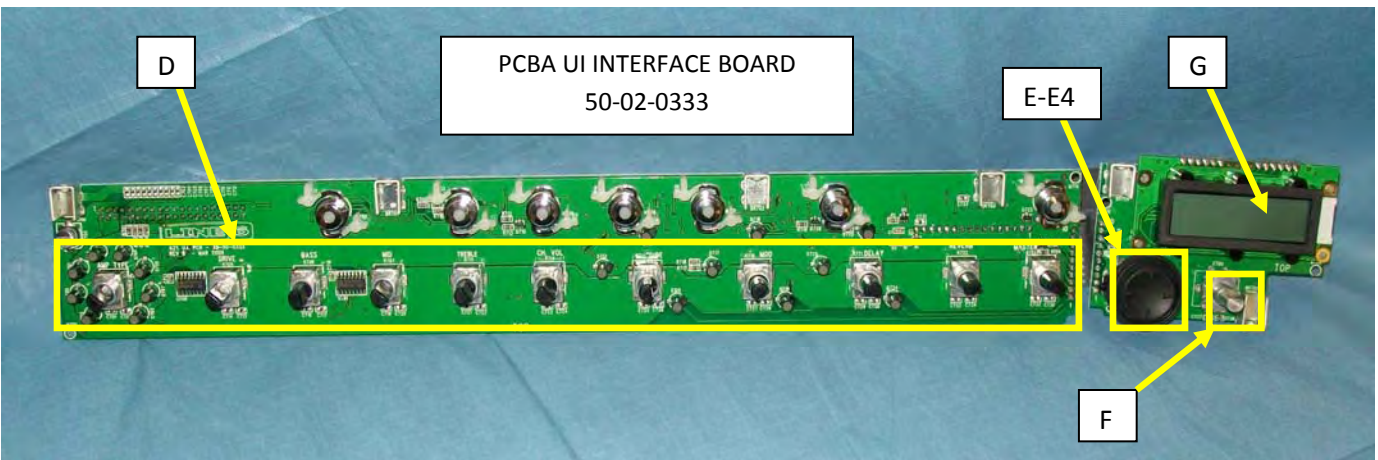


50-02-0332-2
MAIN BOARD SPIDER IV 120 WATT

PCBA POWER SUPPLY BOARD
50-02-0336



PCBA UI INTERFACE BOARD
50-02-0333

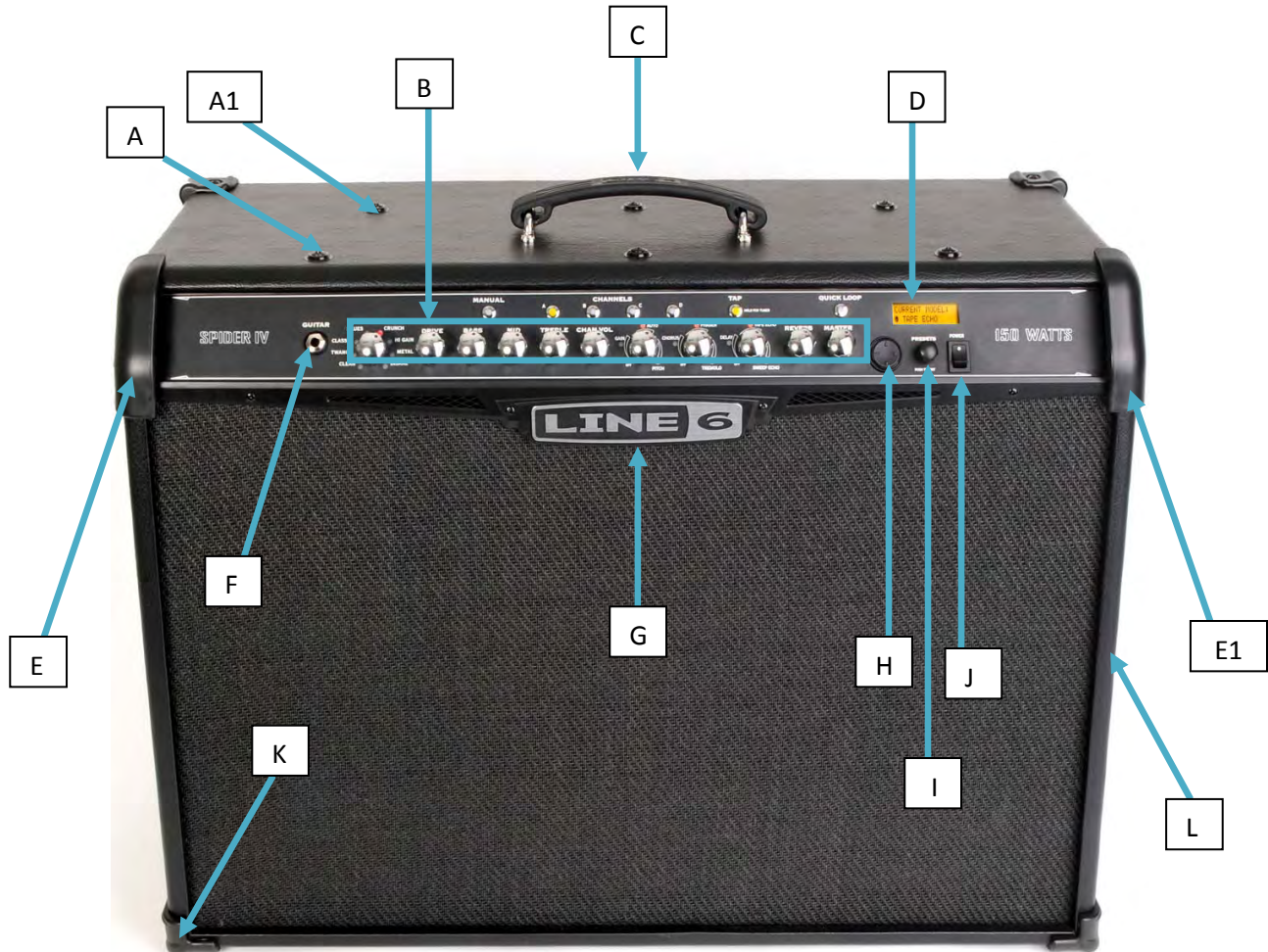


A	50-02-0334-1	PCBA POWER AMP 120W - 150W
B	30-51-0367	HEATSINK 8.0" X 3.5" ALUMINUM ALLOY BLACK ANODIZE
C	50-02-0198	PCBA SPEAKER OUT
D	01-48-6103	POT MONO 10KB LINEAR TAPER 25MM W/9MM NUT D-SHAFT
E	30-27-0218	BUTTON 4 WAY BOTTOM .8 DIA x 0.5 HT ABS
E1	30-27-0221	4-WAY SW PIVOT PIN .37 x .200 DIA NYLON 6/6 WHITE
E2	30-27-0363	BUTTON 4 WAY TOP .8 DIA X .4 H T ABS
E3	30-27-0364	FRAME 4-WAY 1.04 DIA X 0.7 ABS A15 A21 A23
E4	30-63-0028	FOAM RING 4-WAY SW RET PU .75 OD x .40 ID x .18 HT BLK
F	24-12-0010	ENCODER 20 STEP w/SWITCH 20MM D-SHAFT METAL V-MNT PCB
G	50-02-0083	PCBA DISPLAY LCD 2 x 16 POS CHARACTER 12-O'CLOCK AMBER



US Model # 99-010-3605
 Australian Model # 99-010-3601
 European Model # 99-010-3602
 Japanese Model # 99-010-3603
 UK Model # 99-010-3604

**Spider IV 150 Watt
 Combo Amplifier**
Quick View Parts Guide



A	30-00-0015	SCREW 10-24 UNC x 1.000" TRUSS-HD BLACK-OXIDE
A1	30-03-0112	WASHER FINISHING #10 FLANGED STL BLK OXIDE
B	30-45-0023	KNOB 0.77" DIA X 0.71" HT PLAS TIC CHROME PLATED
C	30-57-0008	HANDLE ASSY CABINET
D	30-42-0026-3	VERLAY UI 25.1" X 2.3" X.040" CLEAR PC
E	30-27-0351-1	CORNER FRONT RT 4.0 X 3.6 X .90 BLK PLASTIC
E1	30-27-0351-2	CORNER FRONT LEFT 4.0 X 3.6 X .90 BLK PLASTIC
F	21-00-6617	JACK 1/4" TRS PCB MOUNT 6 PIN HORIZONTAL W/CHROME HRDWARE
G	30-60-0012	LOGO FRAME LINE 6 212 HD150 HI IMPACT ABS
H	5 PC	SEE INTERFACE BOARD
I	30-45-0027	KNOB ENCODER .55 DIA X .50 HT ABS BLK
J	24-24-0607	SWITCH POWER ROCKER 6A/250V 10A/120V w/O OFF CAP
K	30-27-0352	CORNER SMALL 1.3 X 1.3 X 1.3 PLASTIC
L	50-03-0062	ASSY CABINET SPIDER IV-150 212



21-14-0002
 JACK IEC w/FUSE MALE 3 PIN PANEL
 MOUNT SNAP IN

NAME OF UNIT AND WATTAGE
 (JUST ABOVE IS UNIT SERIAL #)

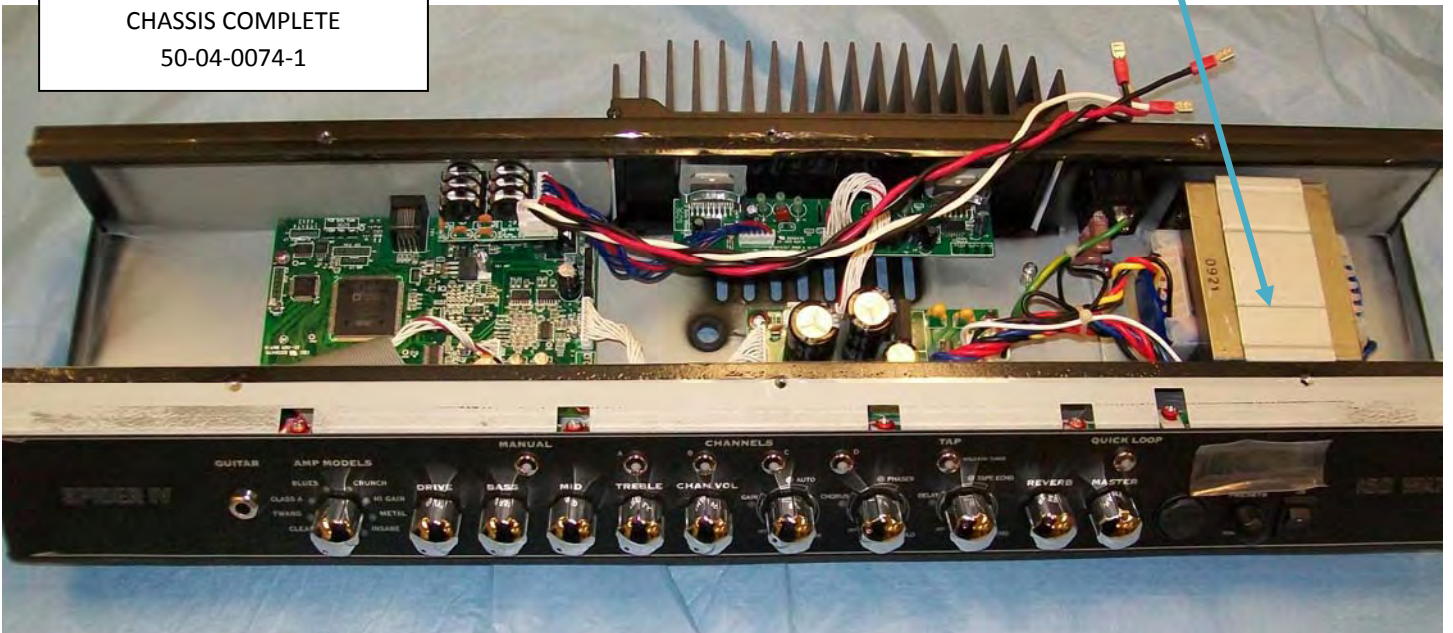
21-00-6617
 JACK 1/4" TRS PCB MOUNT 6 PIN



11-20-1003
 SPEAKER 12" 8 OHM CELESTION

11-30-0036
 XFMR 100/120VAC 34Vx2/9V 86MM SPIDER4

CHASSIS COMPLETE
 50-04-0074-1





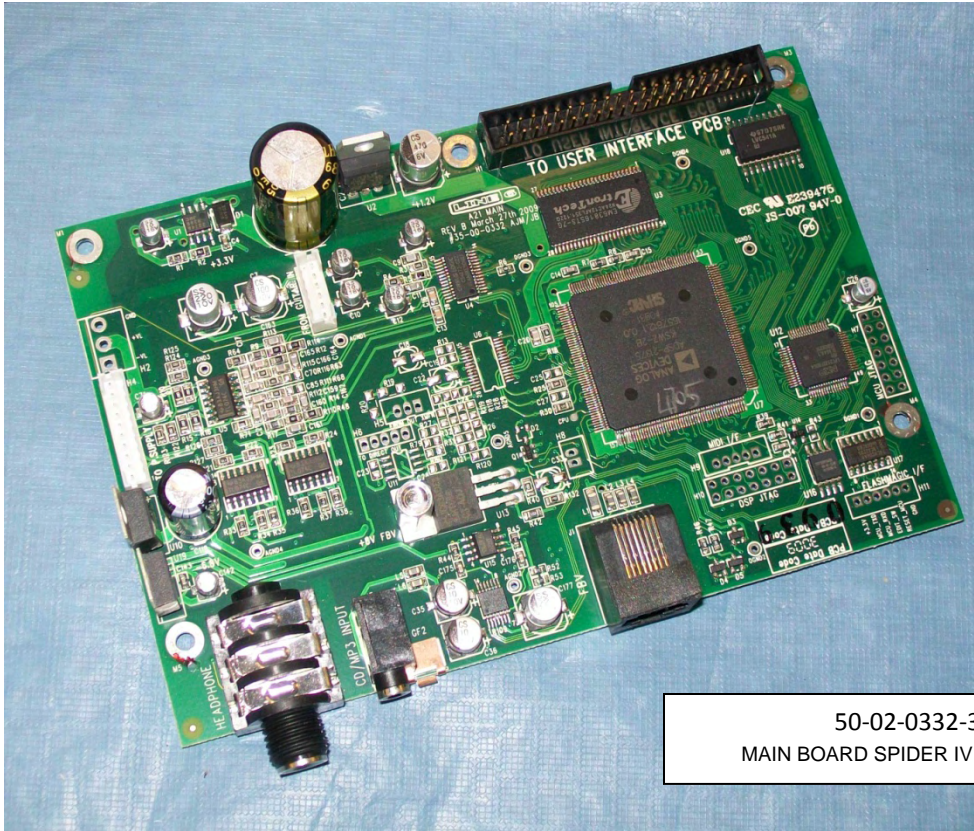
MAIN BOARD ASSY



21-34-0090-1
RIBBON CABLE 40 POS

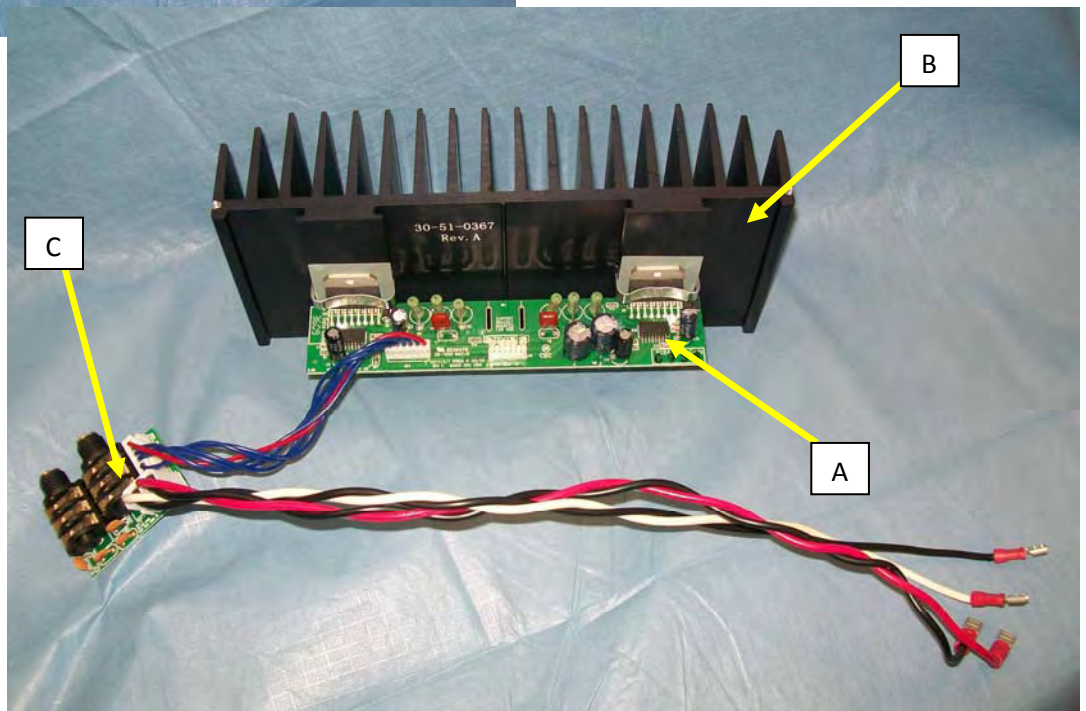
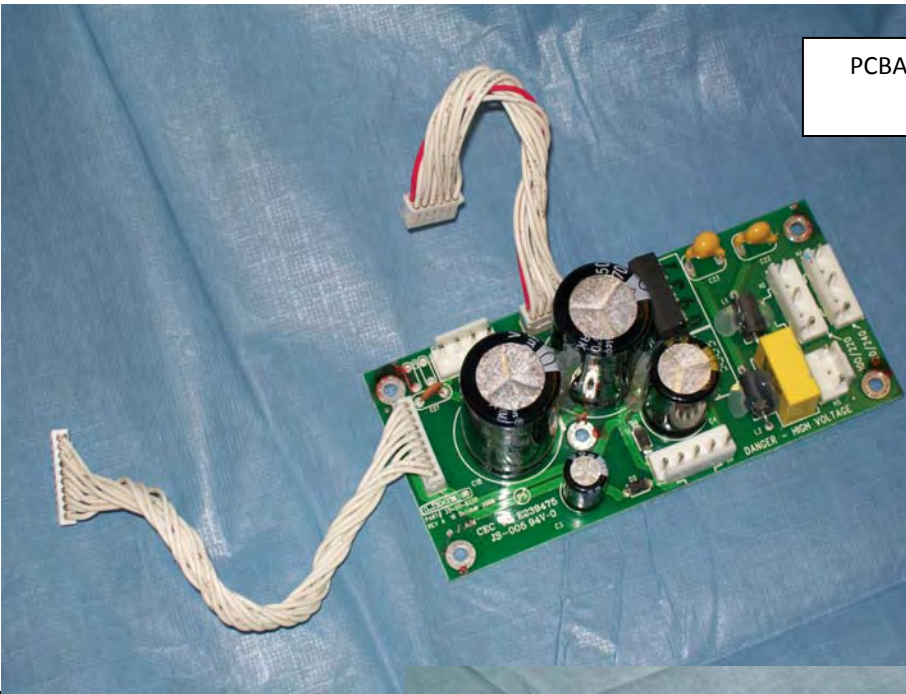


50-02-0071
PCBA GUITAR INPUT

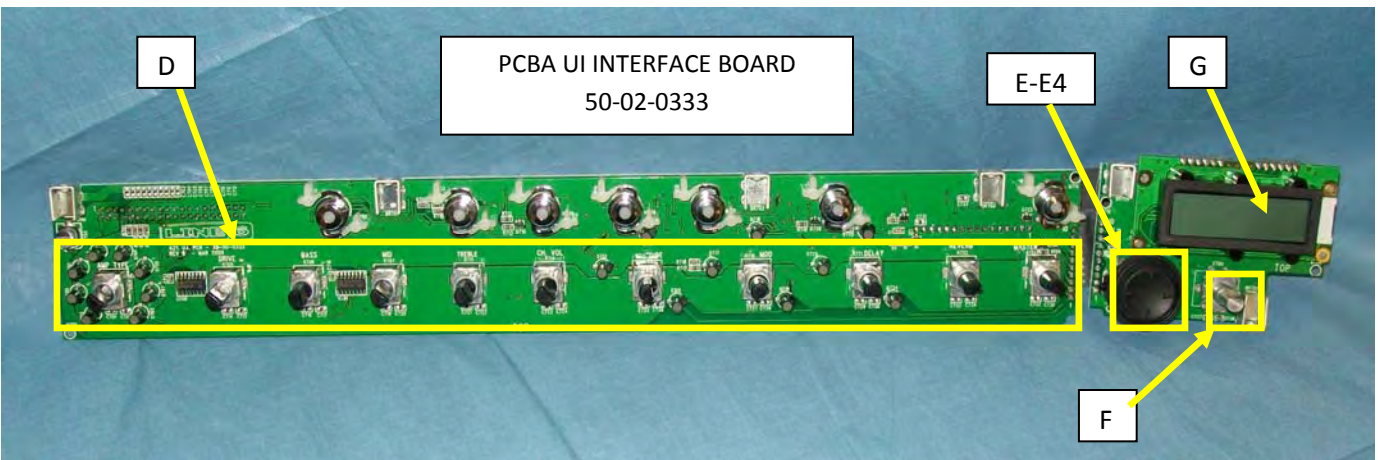


50-02-0332-3
MAIN BOARD SPIDER IV 150 WATT

PCBA POWER SUPPLY BOARD
50-02-0336



PCBA UI INTERFACE BOARD
50-02-0333

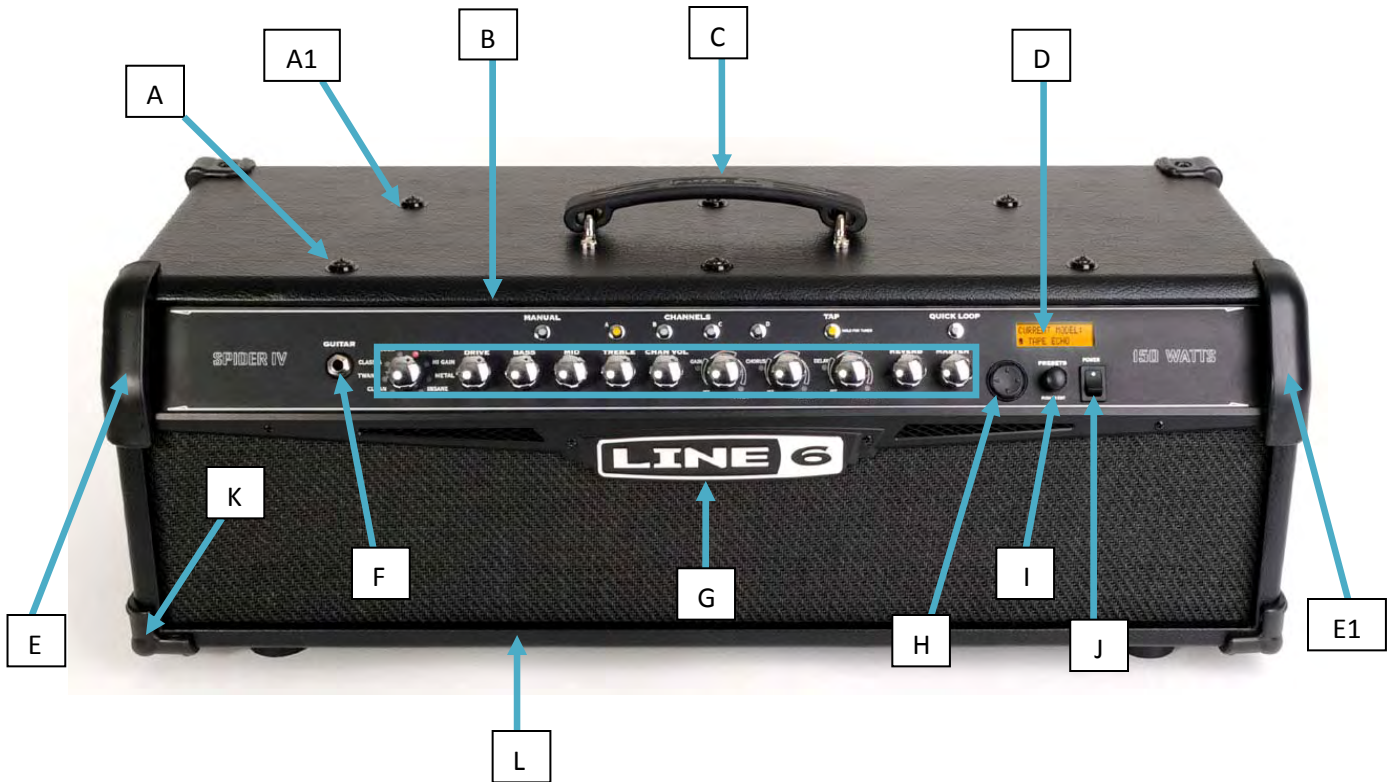


A	50-02-0334-1	PCBA POWER AMP 120W - 150W
B	30-51-0367	HEATSINK 8.0" X 3.5" ALUMINUM ALLOY BLACK ANODIZE
C	50-02-0198	PCBA SPEAKER OUT
D	01-48-6103	POT MONO 10KB LINEAR TAPER 25MM W/9MM NUT D-SHAFT
E	30-27-0218	BUTTON 4 WAY BOTTOM .8 DIA x 0.5 HT ABS
E1	30-27-0221	4-WAY SW PIVOT PIN .37 x .200 DIA NYLON 6/6 WHITE
E2	30-27-0363	BUTTON 4 WAY TOP .8 DIA X .4 H T ABS
E3	30-27-0364	FRAME 4-WAY 1.04 DIA X 0.7 ABS A15 A21 A23
E4	30-63-0028	FOAM RING 4-WAY SW RET PU .75 OD x .40 ID x .18 HT BLK
F	24-12-0010	ENCODER 20 STEP w/SWITCH 20MM D-SHAFT METAL V-MNT PCB
G	50-02-0083	PCBA DISPLAY LCD 2 x 16 POS CHARACTER 12-O'CLOCK AMBER

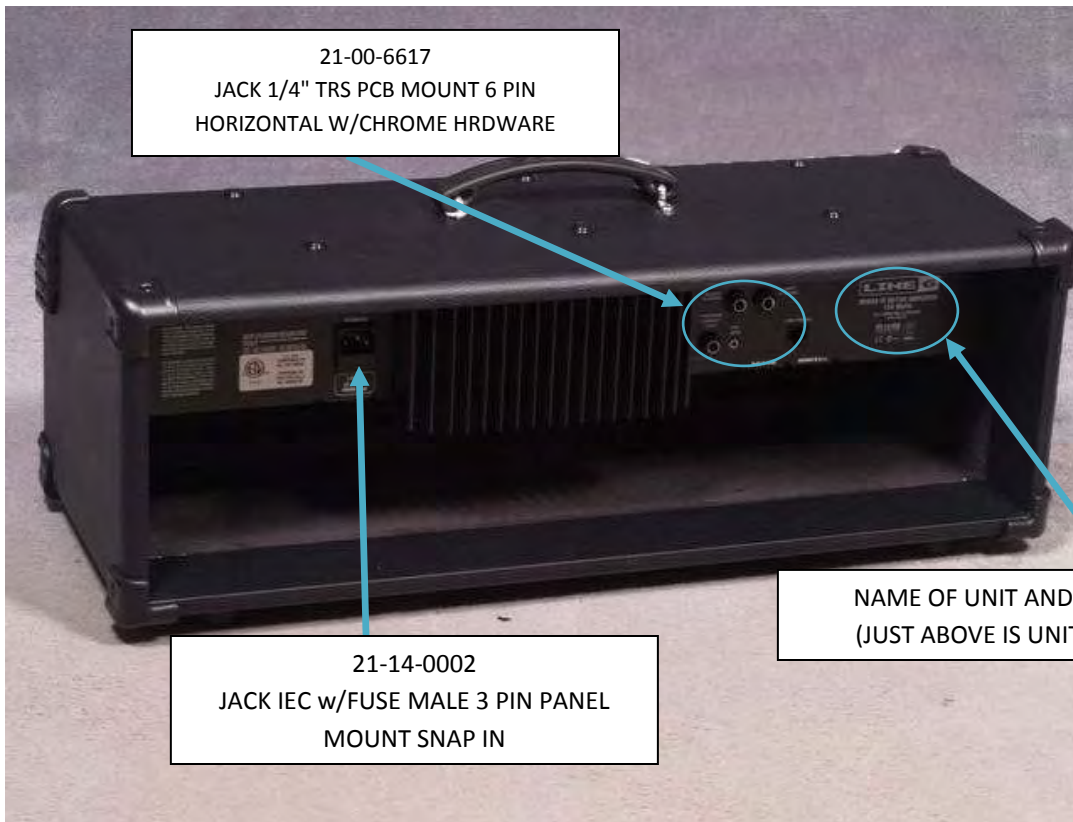


US Model # 99-020-1515
 Australian Model # 99-020-1511
 European Model # 99-020-1512
 Japanese Model # 99-020-1513
 UK Model # 99-020-1514

**Spider IV HD150 Watt
 Combo Amplifier**
Quick View Parts Guide



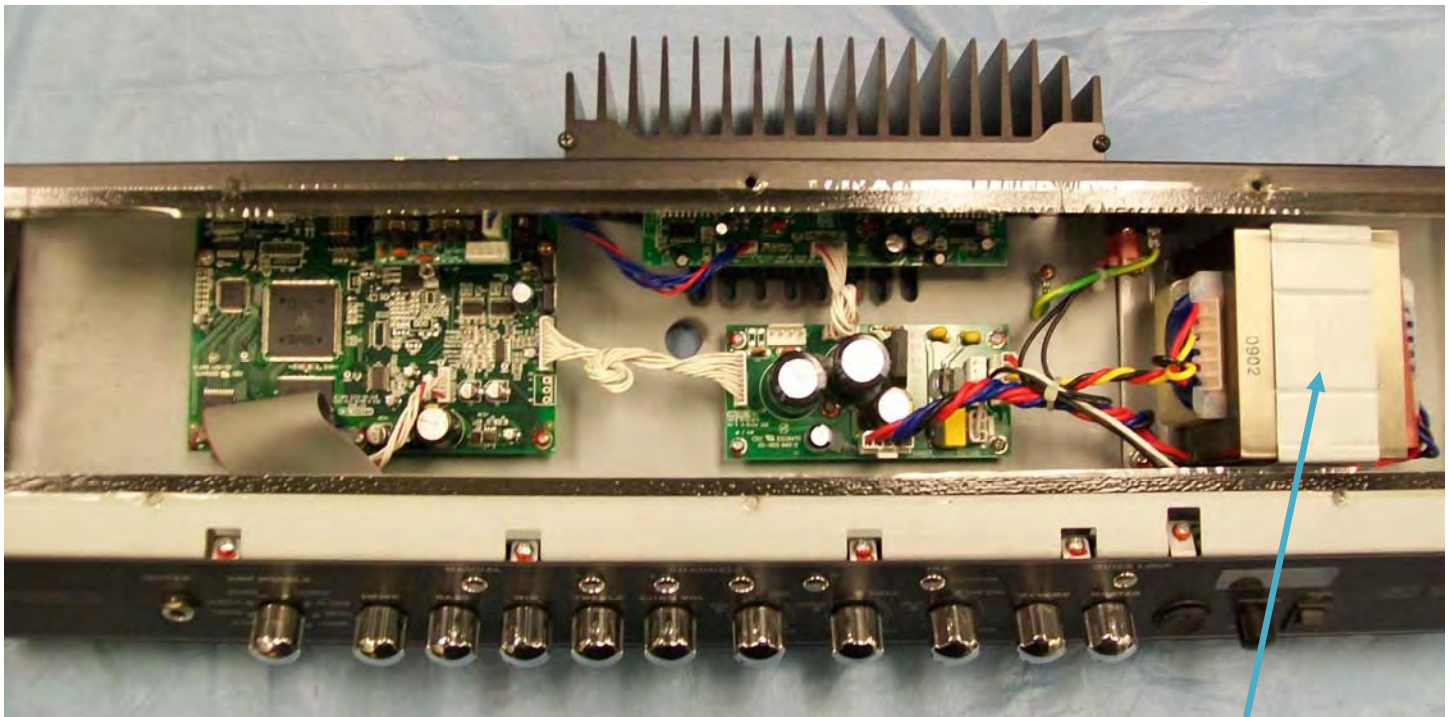
A	30-00-0015	SCREW 10-24 UNC x 1.000" TRUSS-HD BLACK-OXIDE
A1	30-03-0112	WASHER FINISHING #10 FLANGED STL BLK OXIDE
B	30-45-0023	KNOB 0.77" DIA X 0.71" HT PLAS TIC CHROME PLATED
C	30-57-0008	HANDLE ASSY CABINET
D	30-42-0026-3	VERLAY UI 25.1" X 2.3" X.040" CLEAR PC
E	30-27-0351-1	CORNER FRONT RT 4.0 X 3.6 X .90 BLK PLASTIC
E1	30-27-0351-2	CORNER FRONT LEFT 4.0 X 3.6 X .90 BLK PLASTIC
F	21-00-6617	JACK 1/4" TRS PCB MOUNT 6 PIN HORIZONTAL W/CHROME HRDWARE
G	30-60-0012	LOGO FRAME LINE 6 212 HD150 HI IMPACT ABS
H	5 PC	SEE INTERFACE BOARD
I	30-45-0027	KNOB ENCODER .55 DIA X .50 HT ABS BLK
J	24-24-0607	SWITCH POWER ROCKER 6A/250V 10A/120V w/O OFF CAP
K	30-27-0352	CORNER SMALL 1.3 X 1.3 X 1.3 PLASTIC
L	50-03-0062	ASSY CABINET SPIDER IV-150 212



21-00-6617
JACK 1/4" TRS PCB MOUNT 6 PIN
HORIZONTAL W/CHROME HRDWARE

21-14-0002
JACK IEC w/FUSE MALE 3 PIN PANEL
MOUNT SNAP IN

NAME OF UNIT AND WATTAGE
(JUST ABOVE IS UNIT SERIAL #)



COMPLETE CHASSIS
50-04-0075-1

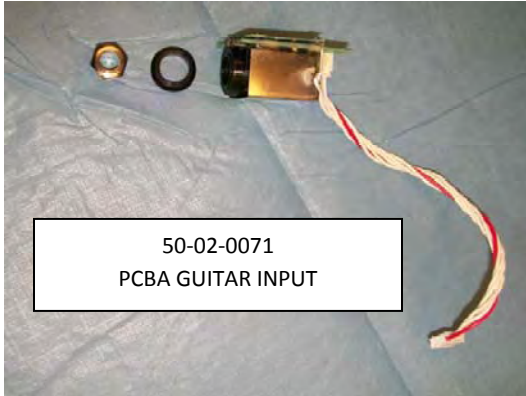
11-30-0036
XFMR 100/120VAC 34Vx2/9V 86MM SPIDER4



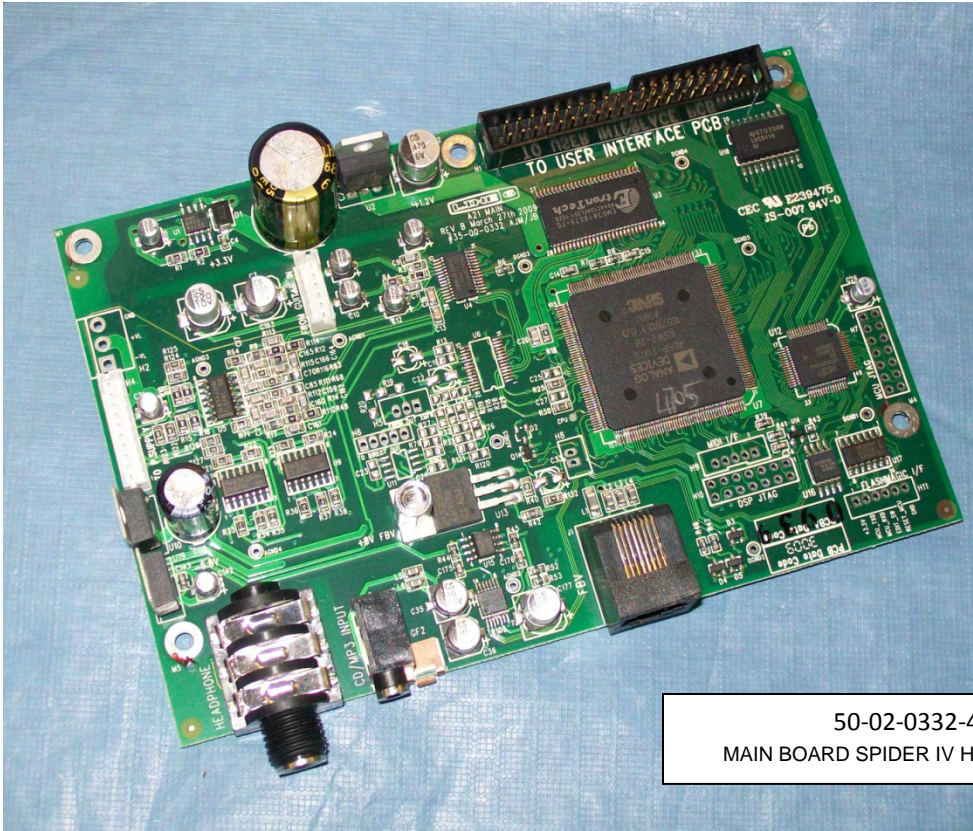
MAIN BOARD ASSY



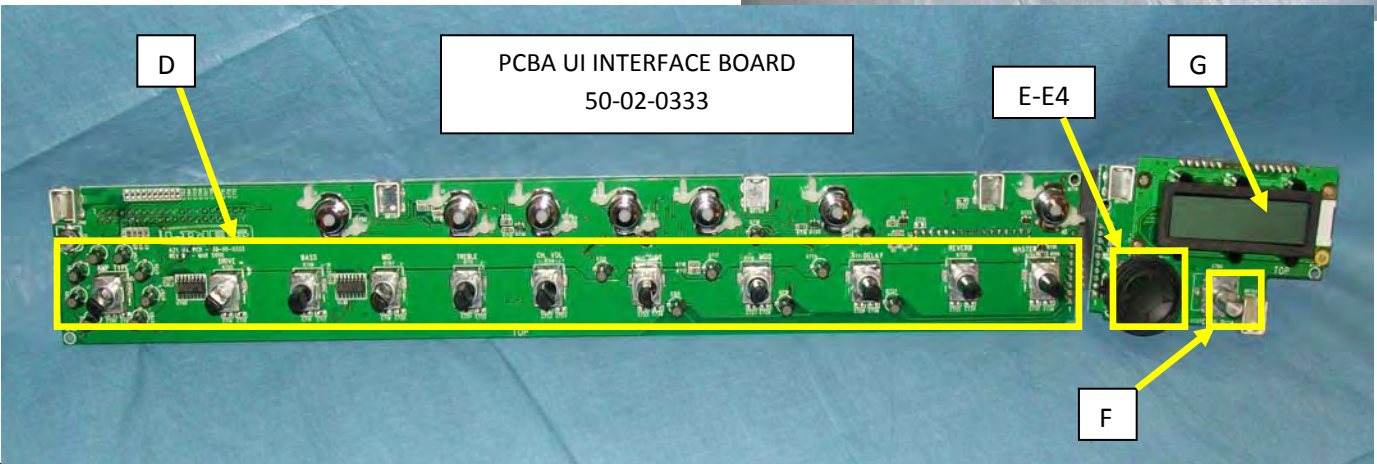
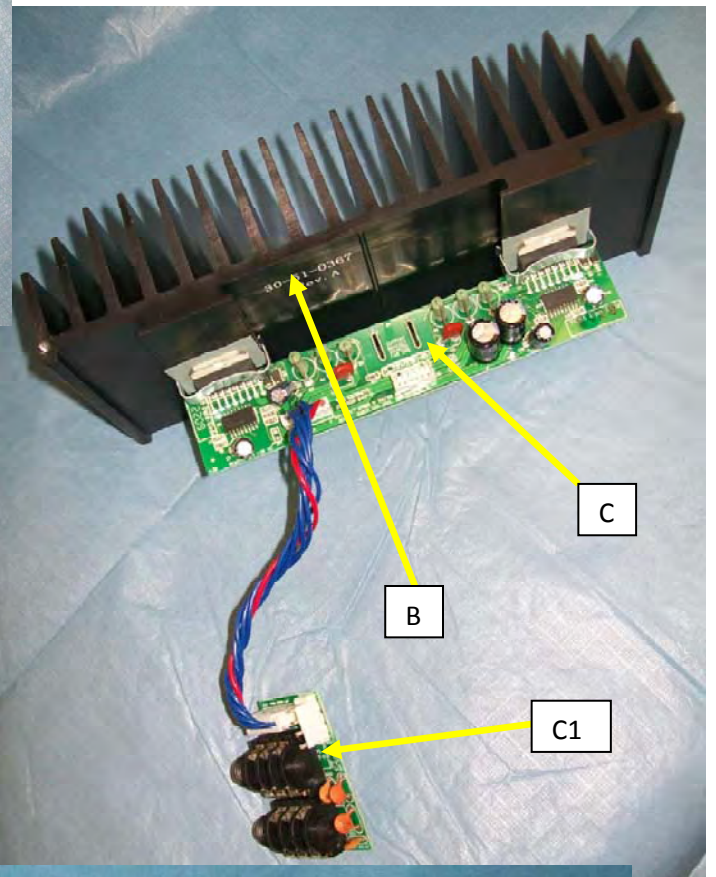
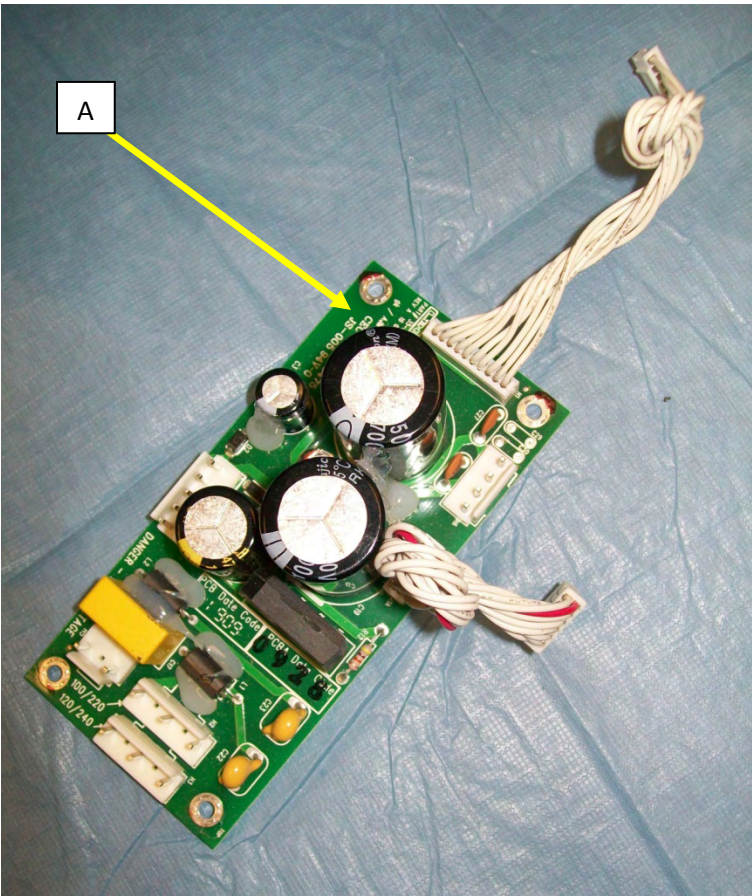
21-34-0090-1
RIBBON CABLE 40 POS



50-02-0071
PCBA GUITAR INPUT



50-02-0332-4
MAIN BOARD SPIDER IV HD 150 WATT

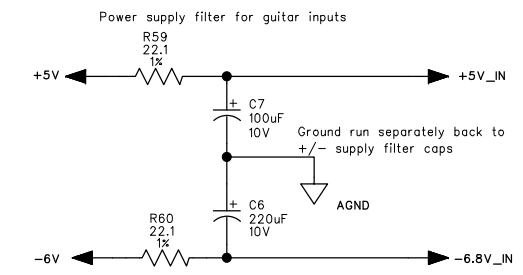
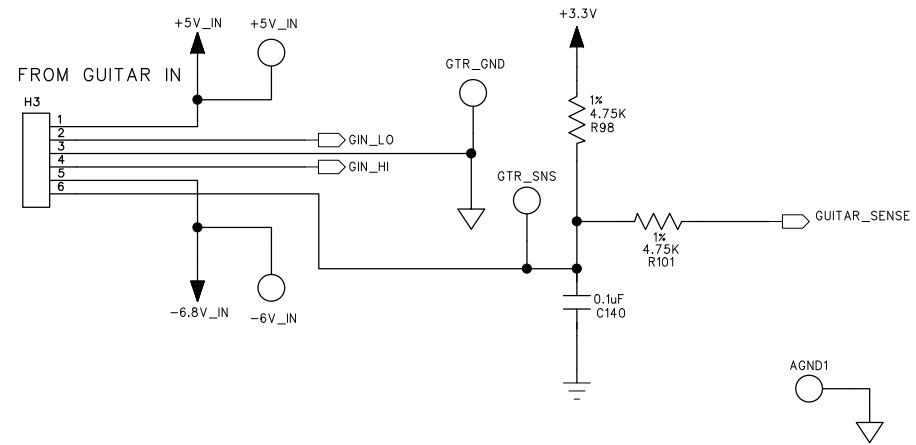
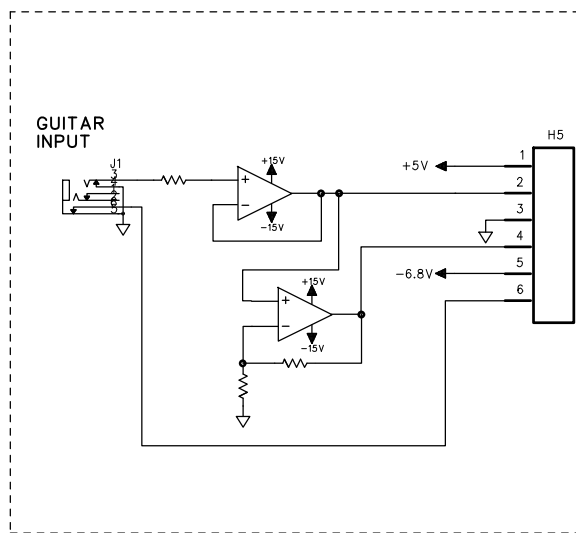


A	50-02-0335	PCBA POWER SUPPLY 150W
B	30-51-0367	HEATSINK 8.0" X 3.5" ALUMINUM ALLOY BLK
C	50-02-0334-2	PCBA POWER AMP 150W
C1	50-02-0198	PCBA SPEAKER OUT
D	01-48-6103	POT MONO 10KB LINEAR TAPER 25MM W/9MM NUT D-SHAFT
E	30-27-0218	BUTTON 4 WAY BOTTOM .8 DIA x 0.5 HT ABS
E1	30-27-0221	4-WAY SW PIVOT PIN .37 x .200 DIA NYLON 6/6 WHITE
E2	30-27-0363	BUTTON 4 WAY TOP .8 DIA X .4 H T ABS
E3	30-27-0364	FRAME 4-WAY 1.04 DIA X 0.7 ABS A15 A21 A23
E4	30-63-0028	FOAM RING 4-WAY SW RET PU .75 OD x .40 ID x .18 HT BLK
F	24-12-0010	ENCODER 20 STEP w/SWITCH 20MM D-SHAFT METAL V-MNT PCB
G	50-02-0083	PCBA DISPLAY LCD 2 x 16 POS CHARACTER 12-O'CLOCK AMBER

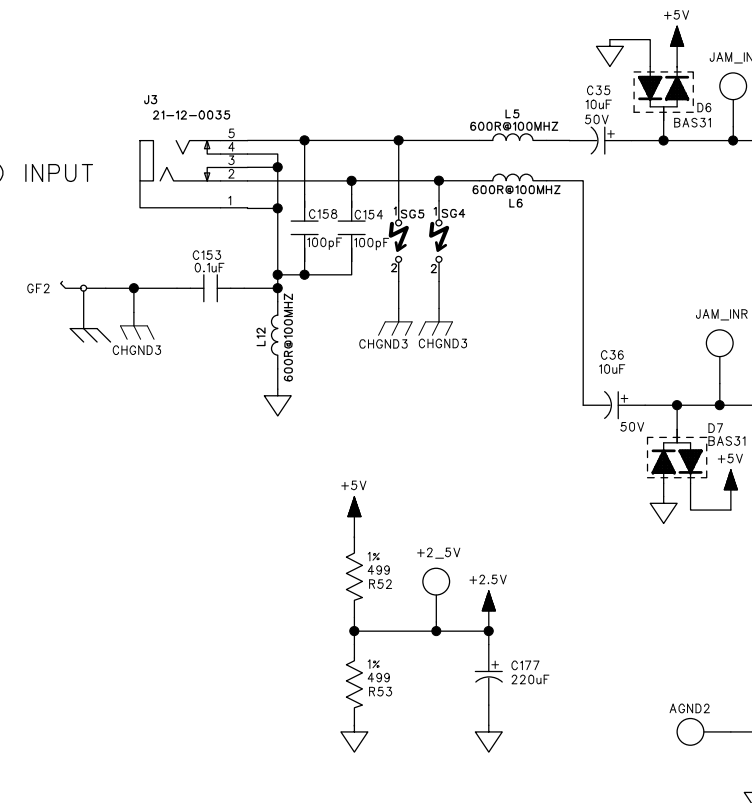
*** DO NOT INSTALL**

ECOs INCLUDED ON THIS SCHEMATIC/PCB REVISION		
ECO NO:	DATE:	DESCRIPTION:
0703704	02.06.07	Releasing Rev D. Gerber changes only.

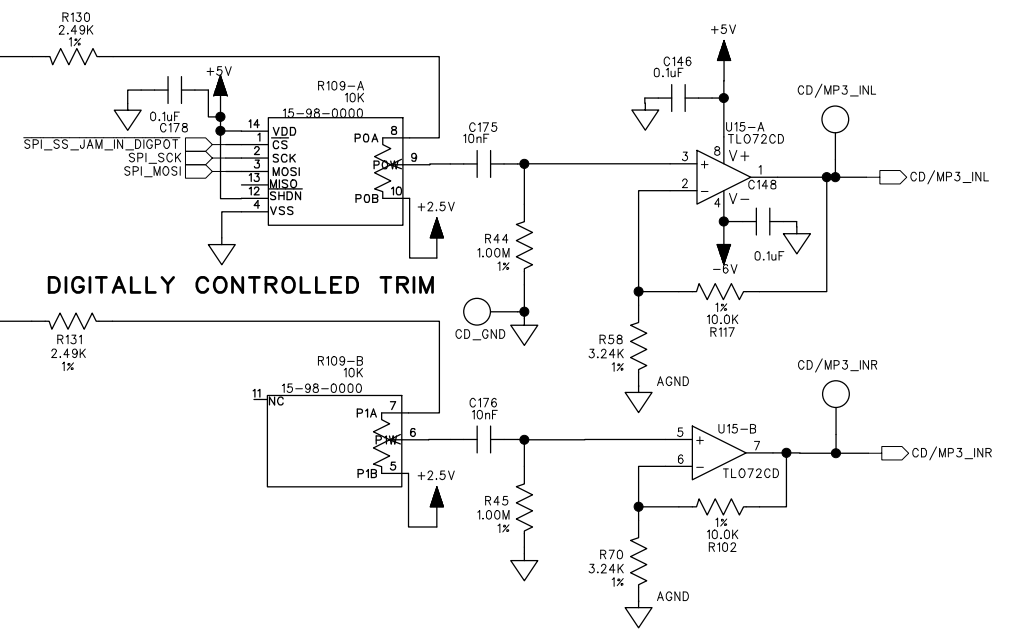
FROM GUITAR IN BRK-WY



JAM ALONG STEREO INPUT



DIGITALLY CONTROLLED TRIM

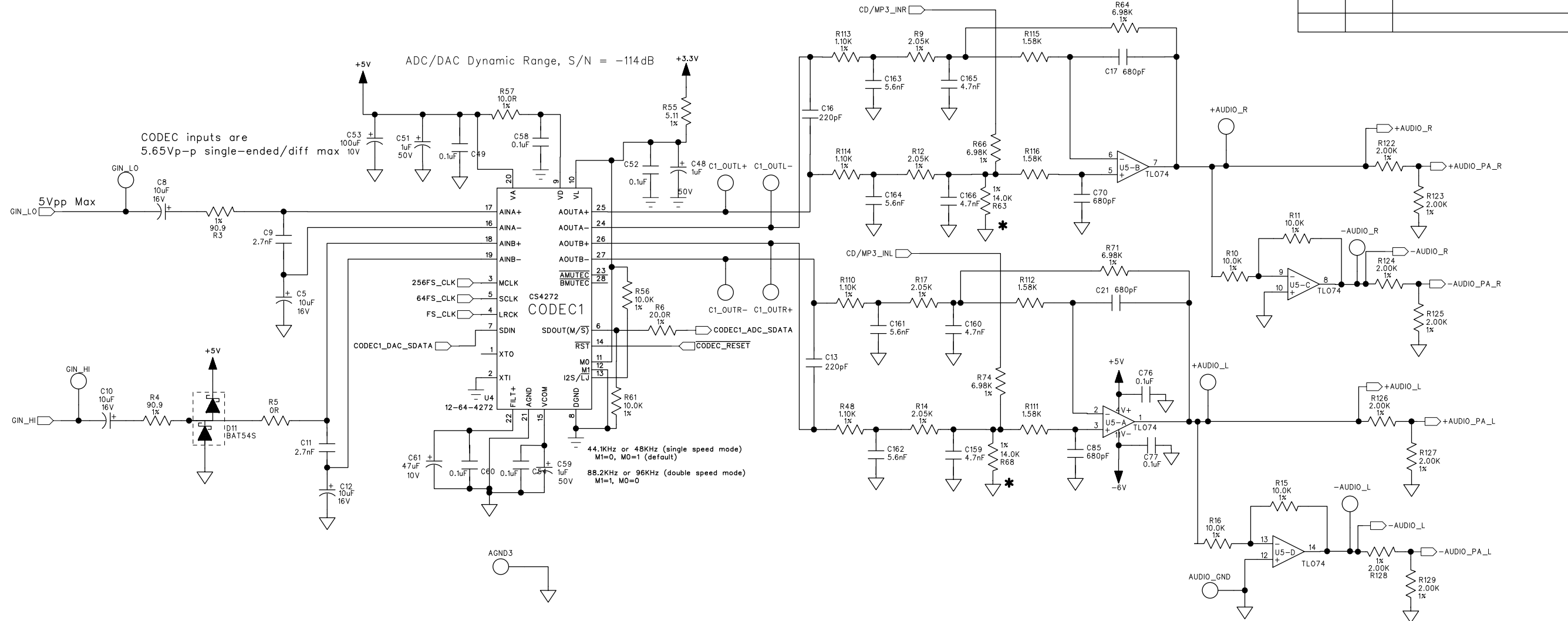


THE INFORMATION CONTAINED IN THIS DRAWING IS THE SOLE PROPERTY OF LINE 6 INC. ANY REPRODUCTION IN PART OR WHOLE WITHOUT THE WRITTEN PERMISSION OF LINE 6 INC. IS PROHIBITED

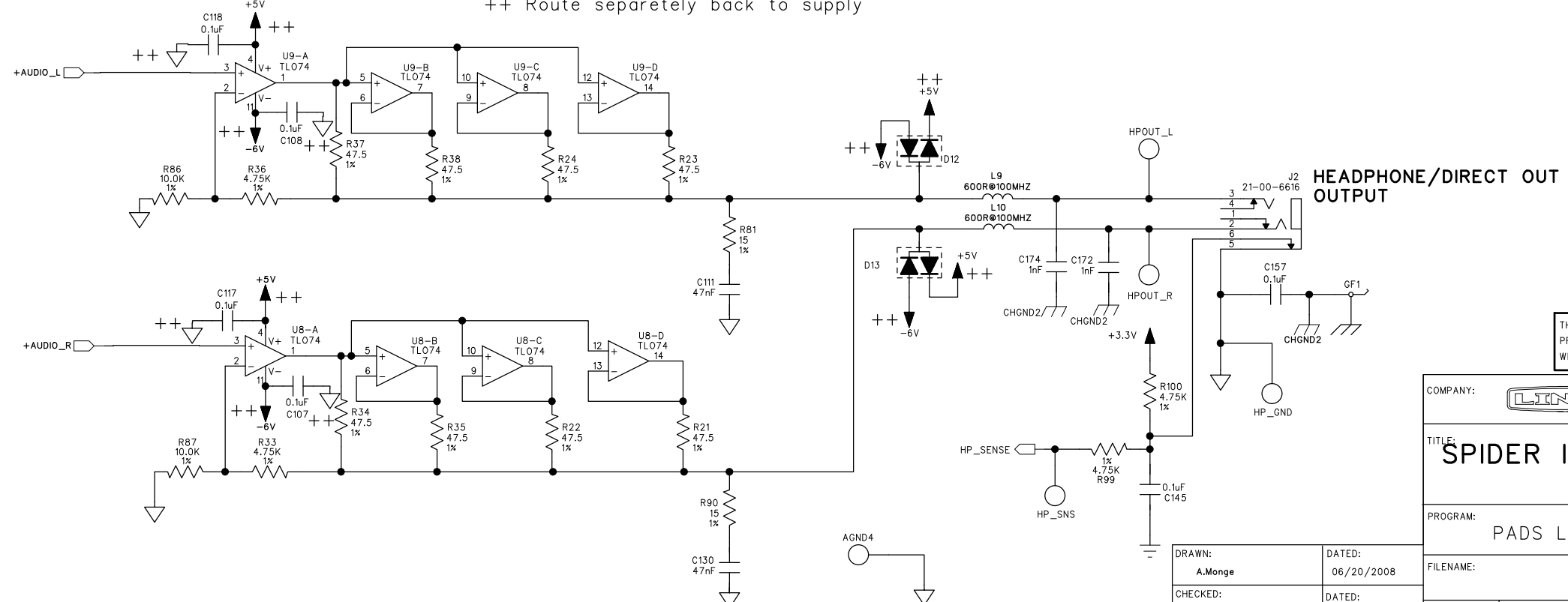
COMPANY:		LINE 6
TITLE:	SPIDER IV/SV MKII SERIES MAIN GUITAR IN/CD/MP3 IN	
PROGRAM:	PADS LOGIC 2007	REV: B
FILENAME:		
DRAWN:	A.Monge	DATED: 06/20/2008
CHECKED:	review panel	DATED:
SCALE:	1:1	SIZE: C
PART NUMBER:	35-00-0332	SHEET: 1 OF 7

CODEC1

ECOs INCLUDED ON THIS SCHEMATIC/PCB REVISION		
ECO NO:	DATE:	DESCRIPTION:



HEADPHONE AMPLIFIER



COMPANY: LINE 6		TITLE: SPIDER IV/SV MKII SERIES MAIN CODEC1/HP_AMP	
PROGRAM: PADS LOGIC 2007		REV: B	
DRAWN: A.Monge	DATED: 06/20/2008	SCALE: 1:1	SIZE: C
CHECKED: review panel	DATED:	PART NUMBER: 35-00-0332	SHEET: 2 OF 7

6

5

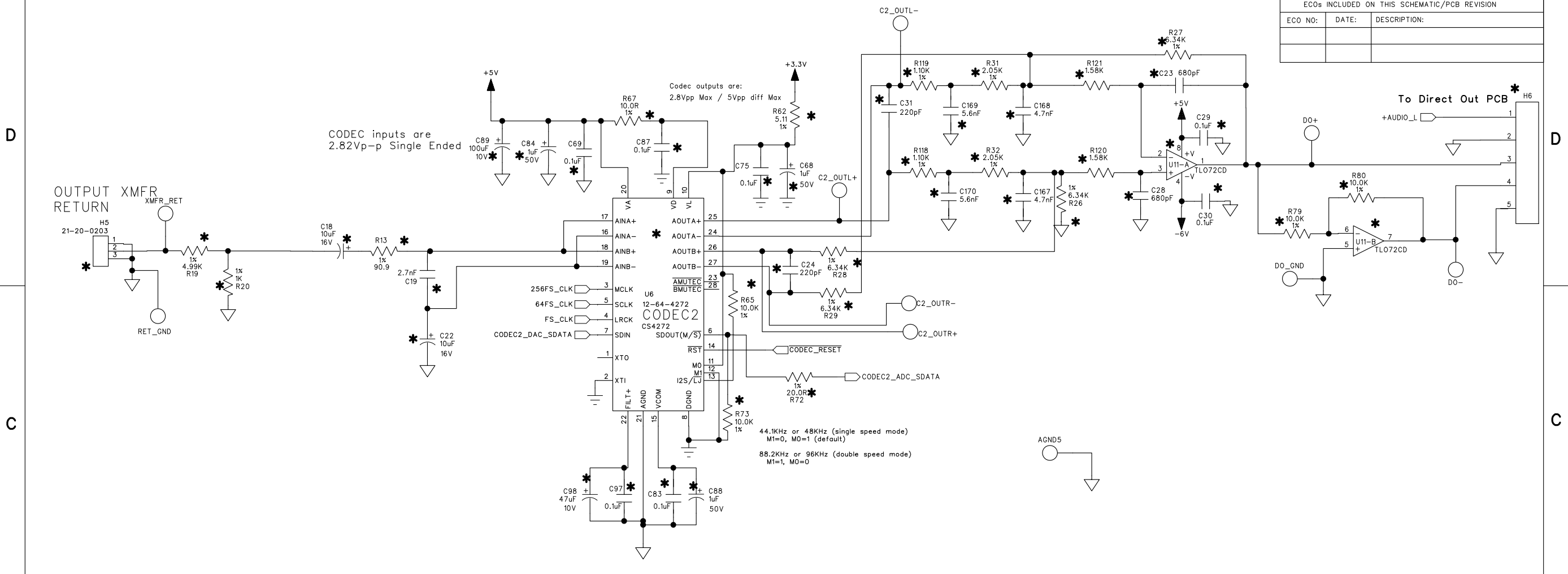
4

3

2

1

ECOs INCLUDED ON THIS SCHEMATIC/PCB REVISION		
ECO NO:	DATE:	DESCRIPTION:



***Do Not Install this page on Spider IV, for SV MKII only!!**

*** DO NOT INSTALL**

THE INFORMATION CONTAINED IN THIS DRAWING IS THE SOLE PROPERTY OF LINE 6 INC. ANY REPRODUCTION IN PART OR WHOLE WITHOUT THE WRITTEN PERMISSION OF LINE 6 INC. IS PROHIBITED

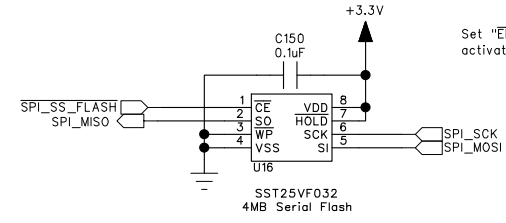
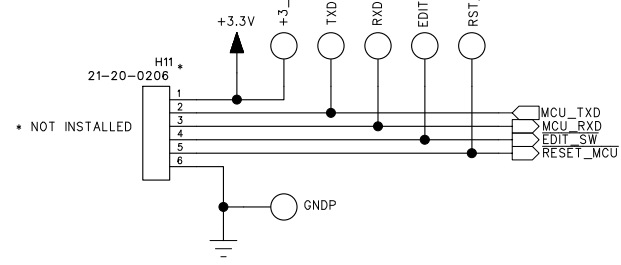
COMPANY:	LINE 6	
TITLE:	SPIDER IV/SV MKII SERIES MAIN CODEC2/SPEAKER OUT	
PROGRAM:	PADS LOGIC 2007	REV: B
FILENAME:	Product Directory/PCBs/Board Directory/File.sch	
SCALE: 1:1	SIZE: C	PART NUMBER: 35-00-0332
SHEET: 3		OF 7

PRELIMINARY DRAWINGS FOR QUOTATION PURPOSES ONLY DO NOT USE FOR PRODUCTION

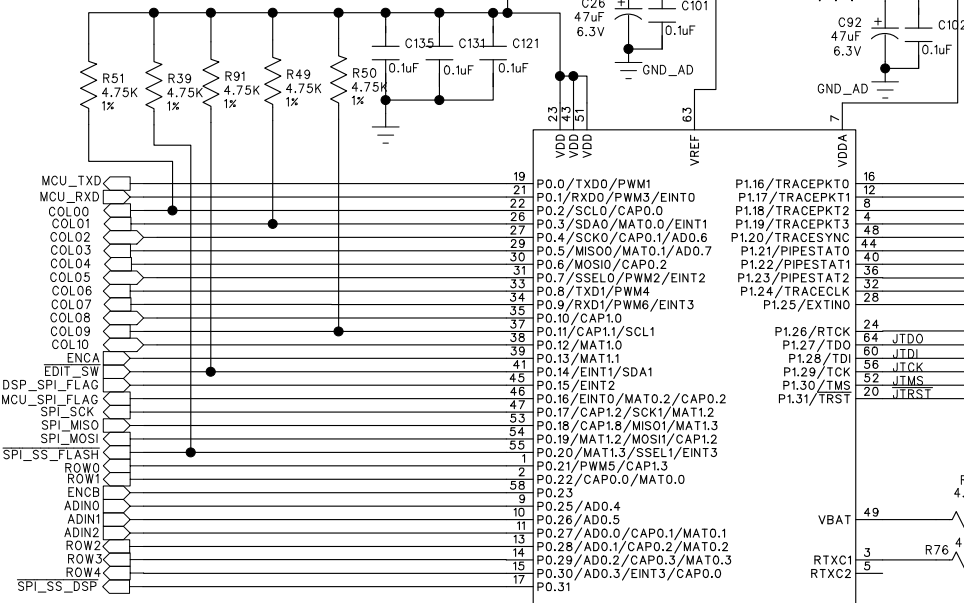
DRAWN:	A.Monge	DATED:	06/20/2008
CHECKED:	Name (F.Last)	DATED:	00/00/01

FLASH PROGRAMMER INTERFACE

Assert EDIT_SW low during reset to activate the MCU's on chip bootloader.
 !WARNING! Do NOT connect the FLASH programmer and JTAG emulator at the same time!



Set "EDIT_SW" low during reset to activate on chip bootloader.

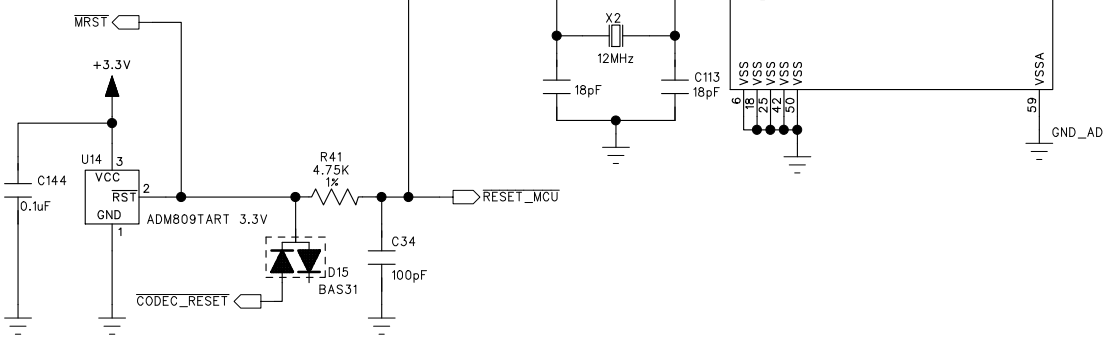
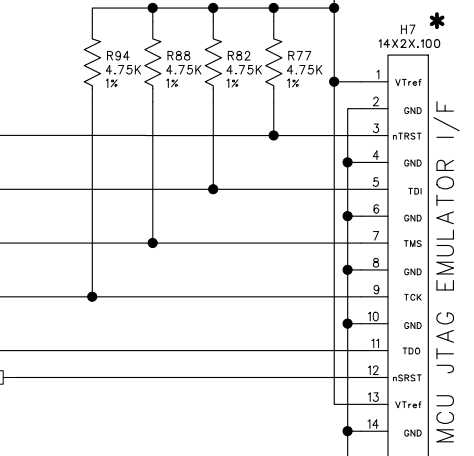
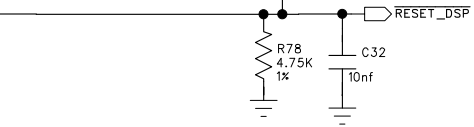


U12
 15-84-2132
 LPC2132
 Make from 15-84-2132

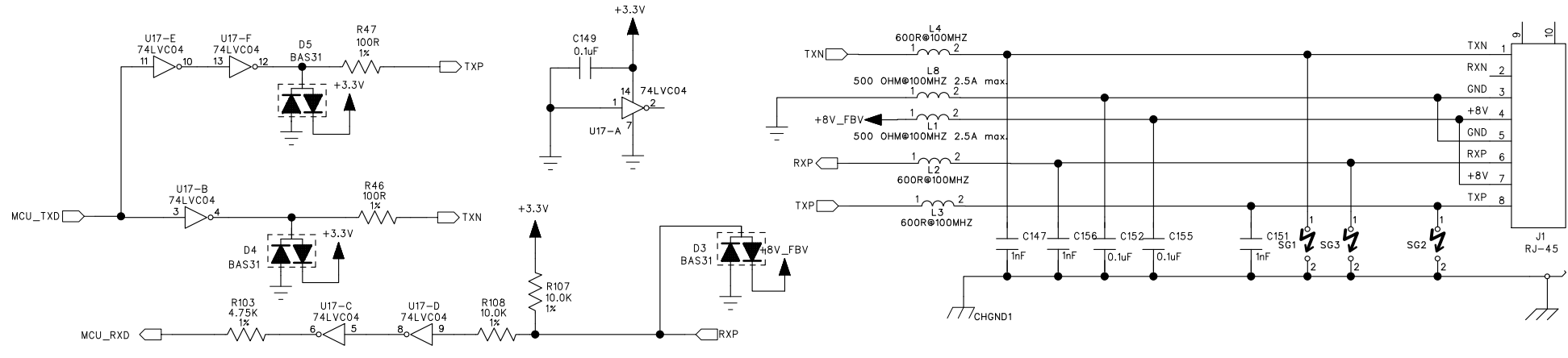
*** DO NOT INSTALL**

ECOs INCLUDED ON THIS SCHEMATIC/PCB REVISION		
ECO NO:	DATE:	DESCRIPTION:

LCD_DATA[00:031]
 LCD_DATA00, LCD_DATA01, LCD_DATA02, LCD_DATA03
 LCD_E, SPI_SS_JAM_IN_DIGPOT, LCD_RS
 ADMUX_A, ADMUX_B
 JTD0, JTD1, JTCK, JTMS, JTRST



FBV INTERFACE



THE INFORMATION CONTAINED IN THIS DRAWING IS THE SOLE PROPERTY OF LINE 6 INC. ANY REPRODUCTION IN PART OR WHOLE WITHOUT THE WRITTEN PERMISSION OF LINE 6 INC. IS PROHIBITED

COMPANY:	LINE 6	
TITLE:	SPIDER IV/SV MKII SERIES MAIN MCU	
PROGRAM:	PADS LOGIC 2007	REV: B
FILENAME:	Product Directory/PCBs/Board Directory/File.sch	
SCALE: 1:1	SIZE: C	PART NUMBER: 35-00-0332
SHEET: 4 OF 7		

PRELIMINARY DRAWINGS FOR QUOTATION PURPOSES ONLY DO NOT USE FOR PRODUCTION

DRAWN:	A.Mongie	DATED:	06/20/2008
CHECKED:	Name (F.Last)	DATED:	00/00/01

6

5

4

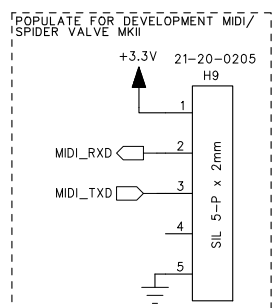
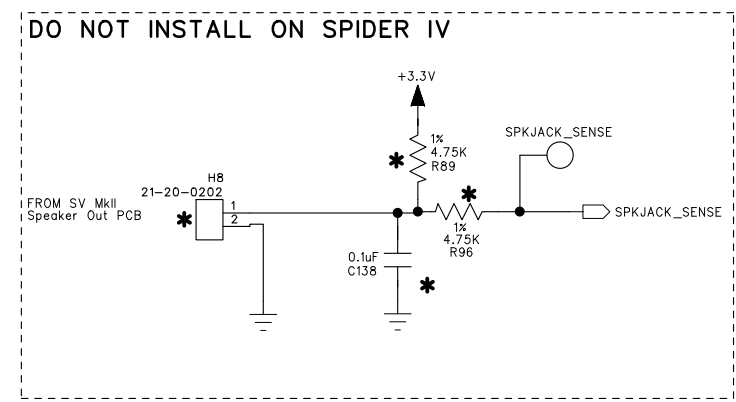
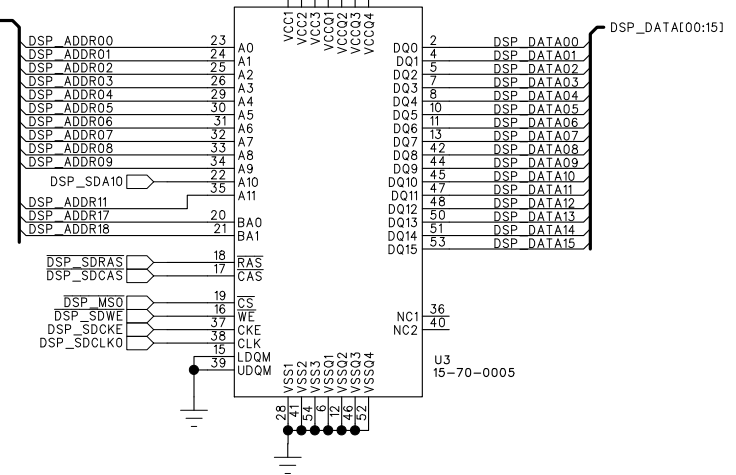
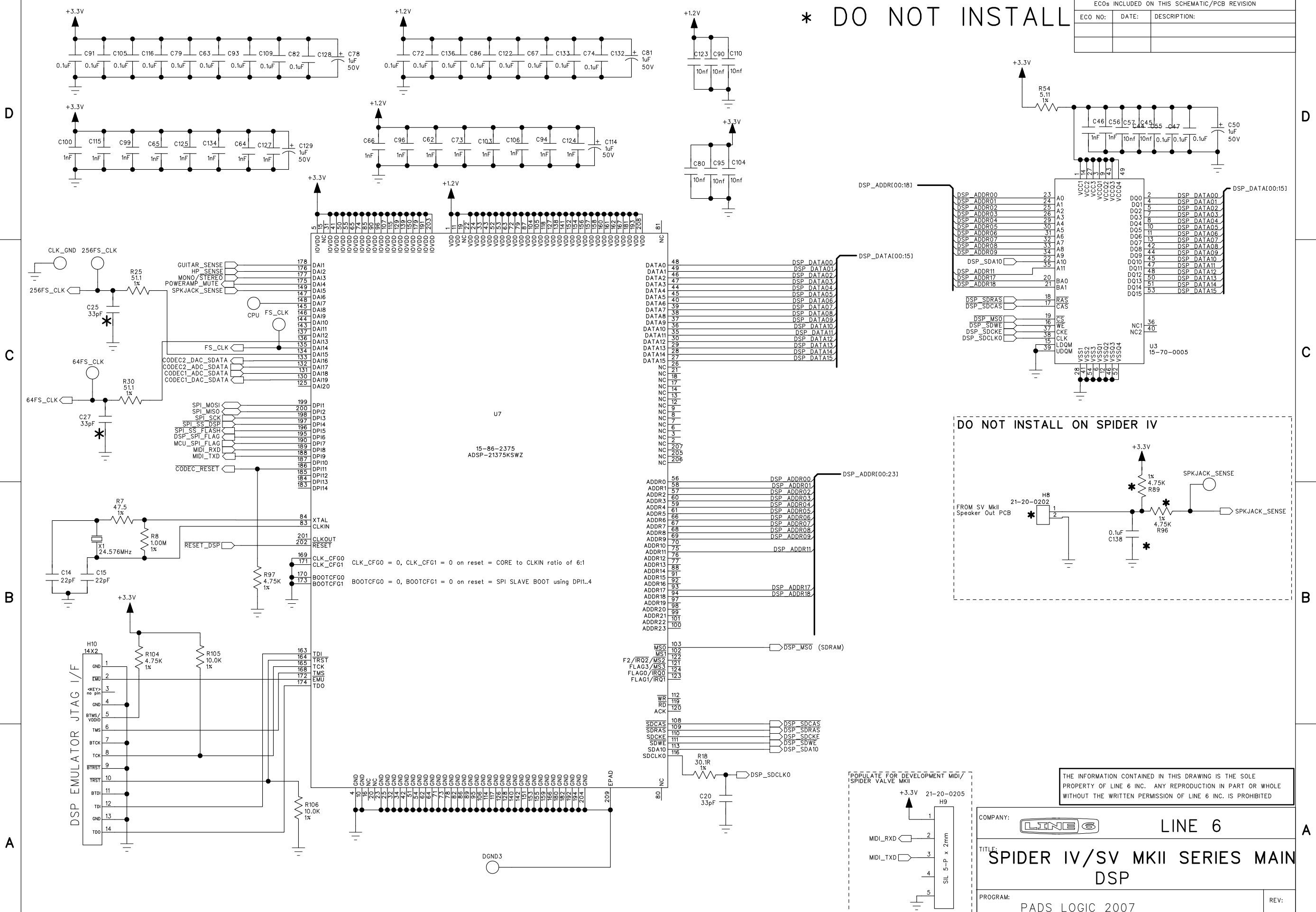
3

2

1

ECOs INCLUDED ON THIS SCHEMATIC/PCB REVISION		
ECO NO:	DATE:	DESCRIPTION:

* DO NOT INSTALL



THE INFORMATION CONTAINED IN THIS DRAWING IS THE SOLE PROPERTY OF LINE 6 INC. ANY REPRODUCTION IN PART OR WHOLE WITHOUT THE WRITTEN PERMISSION OF LINE 6 INC. IS PROHIBITED

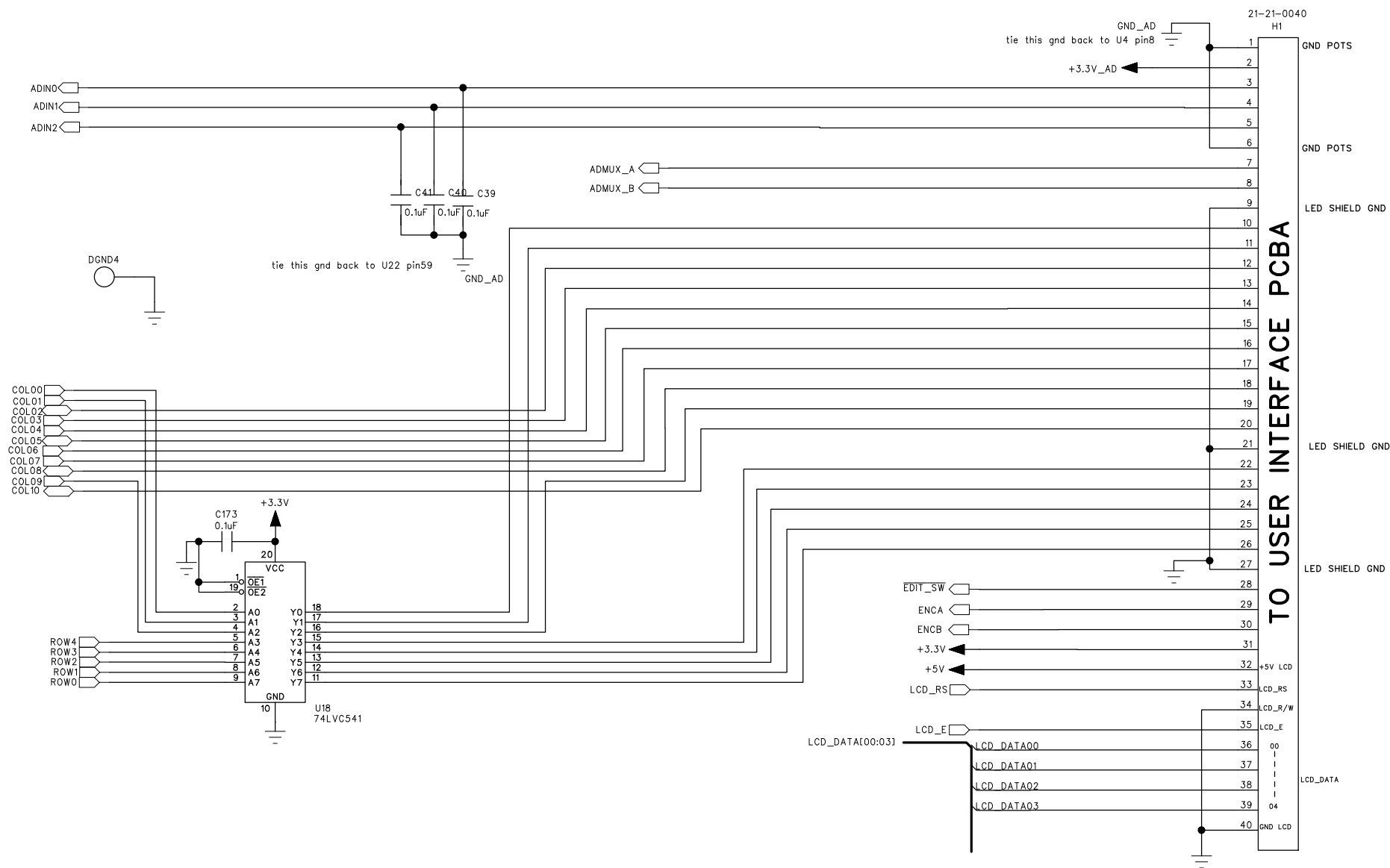
COMPANY:	LINE 6	
TITLE:	SPIDER IV/SV MKII SERIES MAIN DSP	
PROGRAM:	PADS LOGIC 2007	REV: B
FILENAME:	Product Directory/PCBs/Board Directory/File.sch	
SCALE: 1:1	SIZE: C	PART NUMBER: 35-00-0332
SHEET: 5 OF 7		

PRELIMINARY DRAWINGS FOR QUOTATION PURPOSES ONLY DO NOT USE FOR PRODUCTION

DRAWN:	A.Mongé	DATE:	06/20/2008
CHECKED:	Name (F.Last)	DATE:	00/00/01

ECOs INCLUDED ON THIS SCHEMATIC/PCB REVISION		
ECO NO:	DATE:	DESCRIPTION:

***DO NOT INSTALL**



TO USER INTERFACE PCBA

THE INFORMATION CONTAINED IN THIS DRAWING IS THE SOLE PROPERTY OF LINE 6 INC. ANY REPRODUCTION IN PART OR WHOLE WITHOUT THE WRITTEN PERMISSION OF LINE 6 INC. IS PROHIBITED

COMPANY:	LINE 6
TITLE:	SPIDER IV/SV MKII SERIES MAIN INTERFACE
PROGRAM:	PADS LOGIC 2007
REV:	B
FILENAME:	
DRAWN:	A.Monge
DATED:	06/20/2008
CHECKED:	review panel
DATED:	
SCALE:	1:1
SIZE:	C
PART NUMBER:	35-00-0332
SHEET:	6 OF 7

D

D

C

C

B

B

A

A

6

5

4

3

2

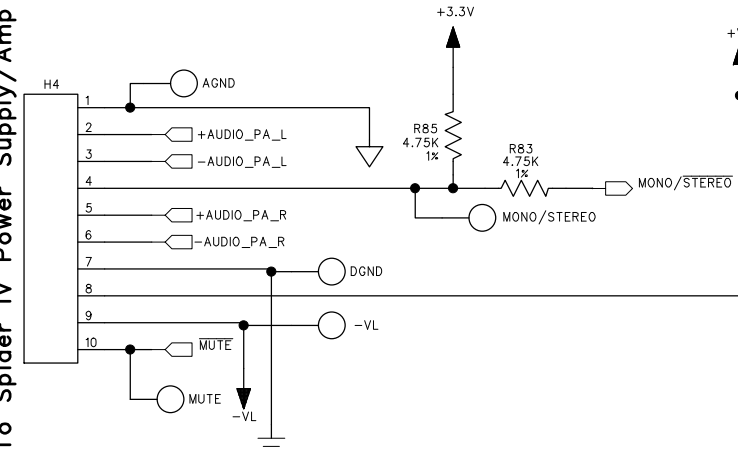
1

ECOs INCLUDED ON THIS SCHEMATIC/PCB REVISION		
ECO NO:	DATE:	DESCRIPTION:

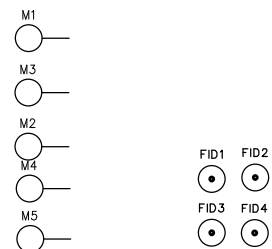
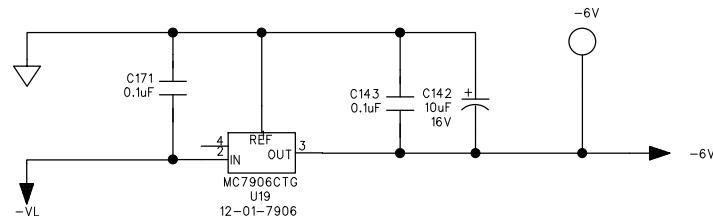
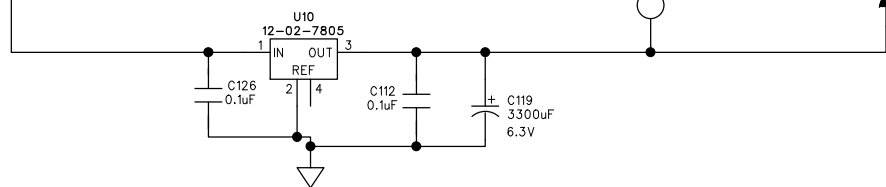
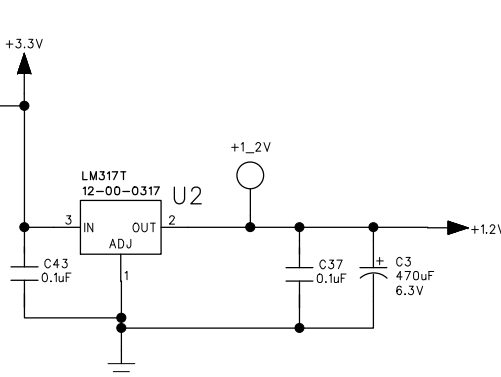
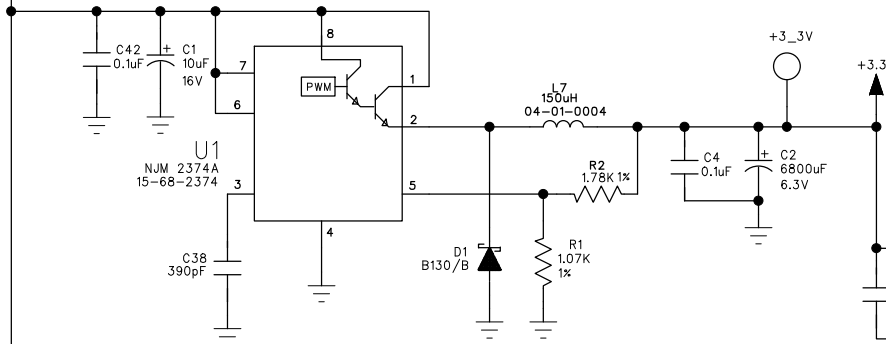
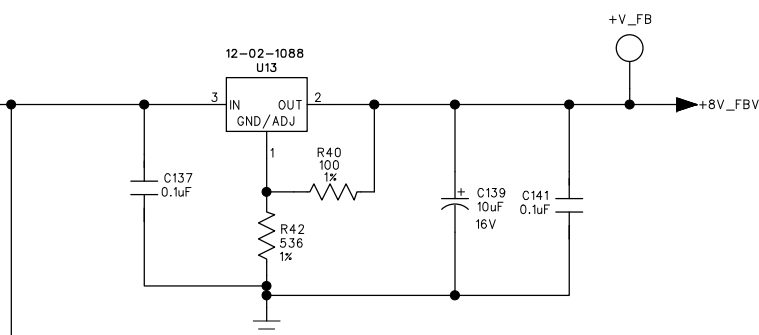
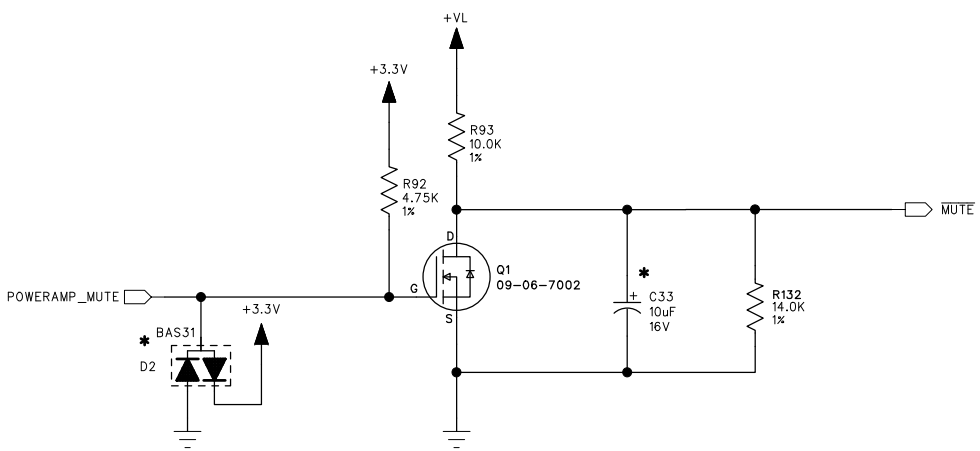
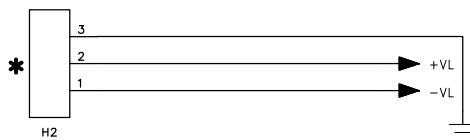
***DO NOT INSTALL**

GND and AGND connected at codecs

To Spider IV Power Supply/Amp



FROM SV POWER SUPPLY



THE INFORMATION CONTAINED IN THIS DRAWING IS THE SOLE PROPERTY OF LINE 6 INC. ANY REPRODUCTION IN PART OR WHOLE WITHOUT THE WRITTEN PERMISSION OF LINE 6 INC. IS PROHIBITED

COMPANY:	LINE 6
TITLE:	SPIDER IV/SV MKII SERIES MAIN POWER
PROGRAM:	PADS LOGIC 2007
FILENAME:	
SCALE: 1:1	SIZE: C
PART NUMBER: 35-00-0332	SHEET: 7 OF 7

DRAWN:	A.Monge	DATED:	06/20/2008
CHECKED:	review panel	DATED:	

REV: B

6

5

4

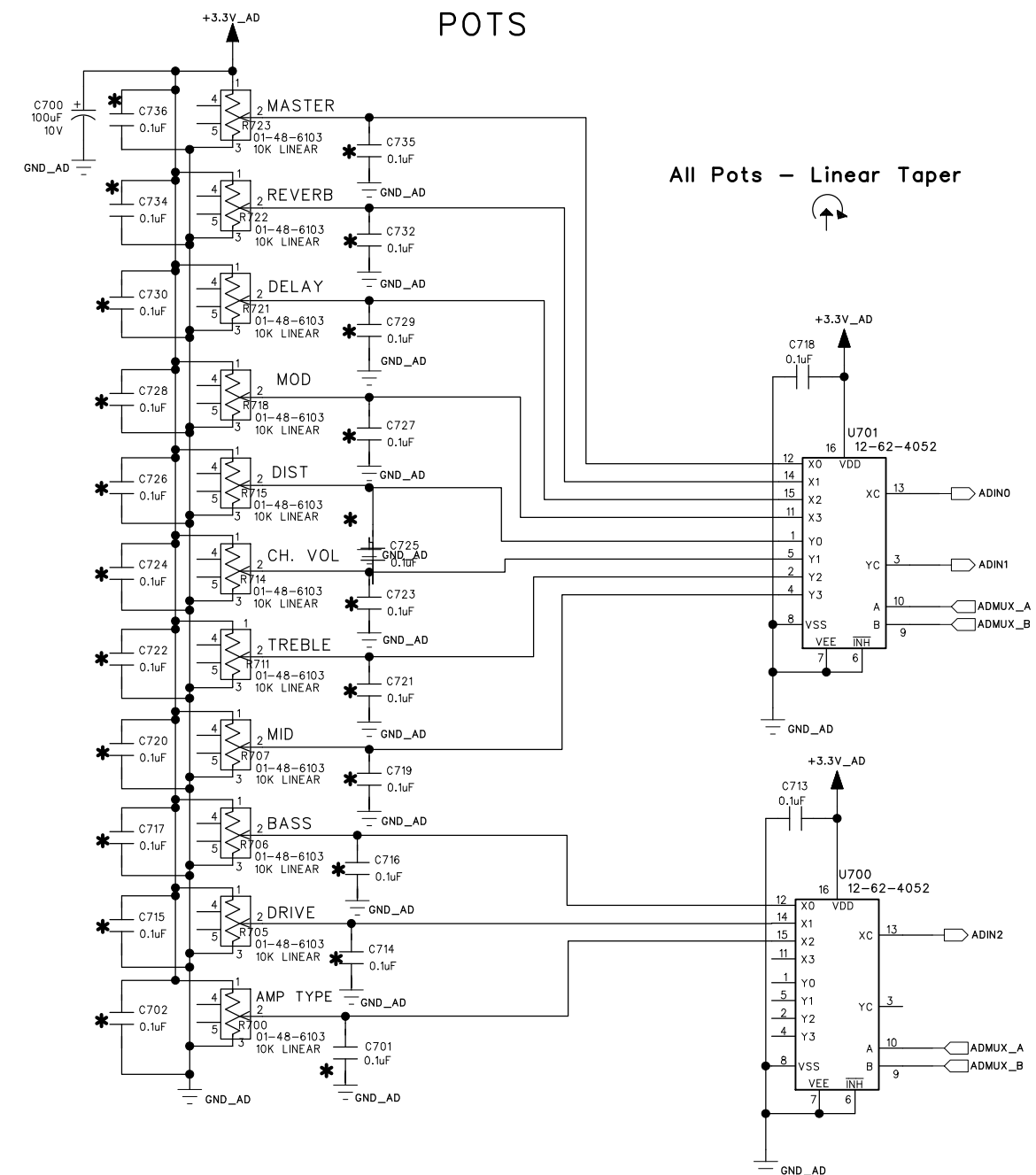
3

2

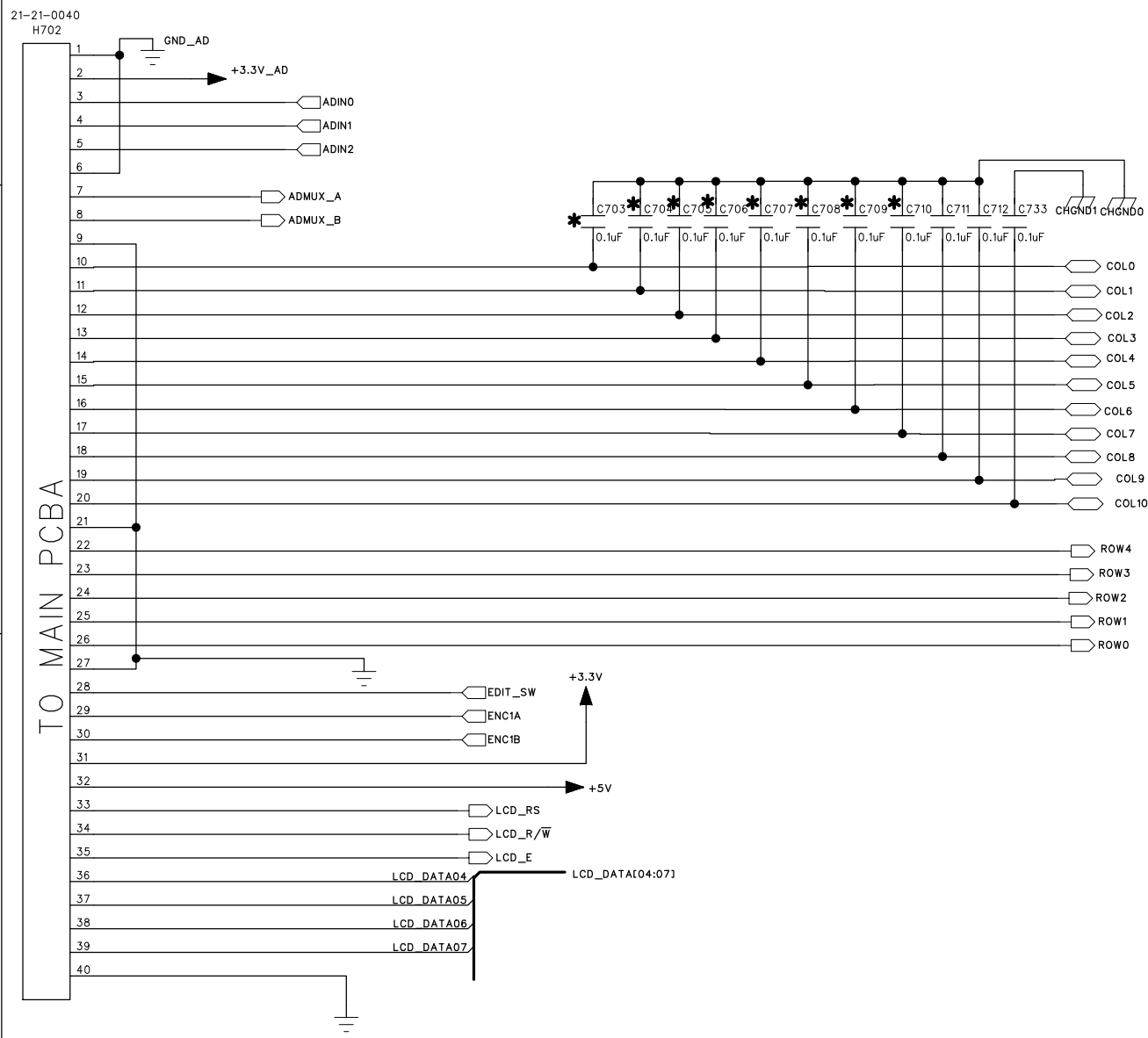
1

ECOs INCLUDED ON THIS SCHEMATIC/PCB REVISION		
ECO NO:	DATE:	DESCRIPTION:
xxxxxxx	12.xx.2008	

POTS



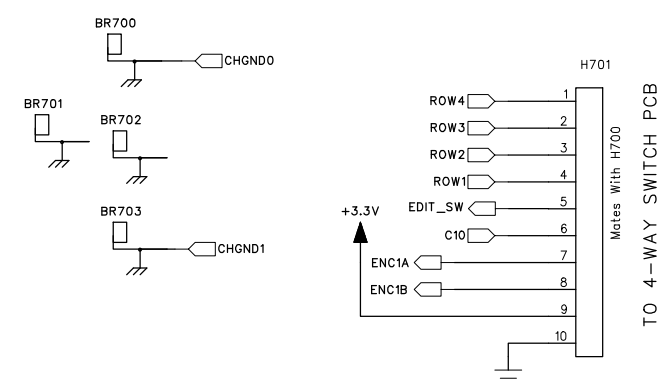
All Pots - Linear Taper



TO MAIN PCBA

B

A



TO 4-WAY SWITCH PCB

THE INFORMATION CONTAINED IN THIS DRAWING IS THE SOLE PROPERTY OF LINE 6 INC. ANY REPRODUCTION IN PART OR WHOLE WITHOUT THE WRITTEN PERMISSION OF LINE 6 INC. IS PROHIBITED

COMPANY:	LINE 6
TITLE:	A21: SPIDER IV UI PCB POTS/HEADER
PROGRAM:	PADS LOGIC 2007
FILENAME:	A21 Spider IV UI Rev B.sch
SCALE: 1:1	SIZE: C
PART NUMBER: 35-00-0333	SHEET: 1 OF 3

DRAWN:	A.Monge	DATED:	06/11/2008
CHECKED:		DATED:	

REV: B

6

5

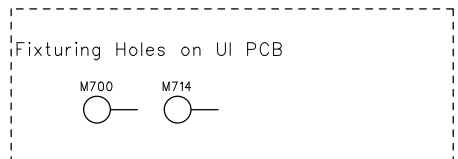
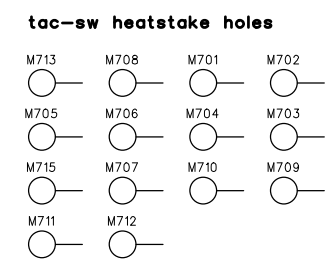
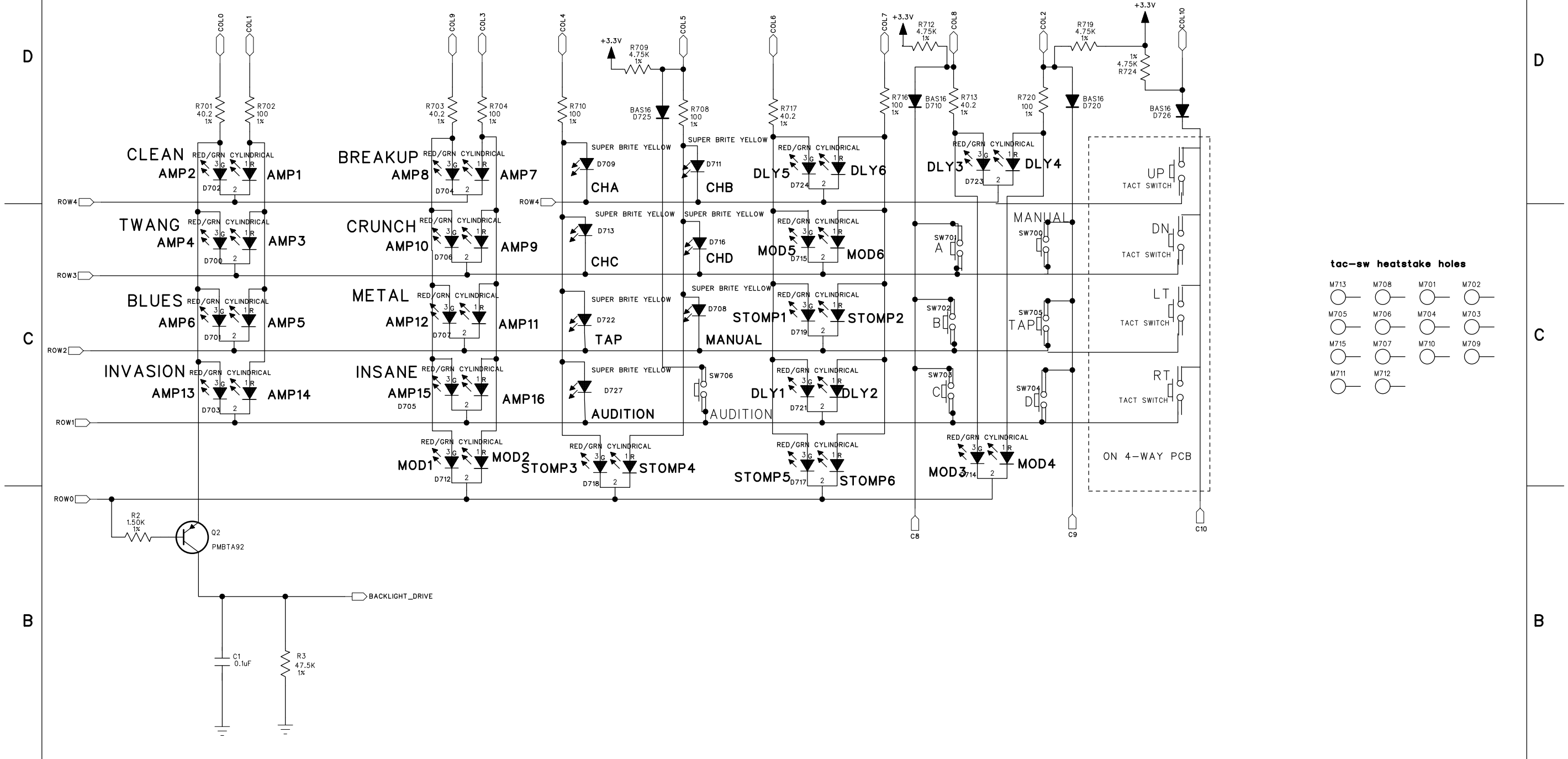
4

3

2

1

ECOs INCLUDED ON THIS SCHEMATIC/PCB REVISION		
ECO NO:	DATE:	DESCRIPTION:



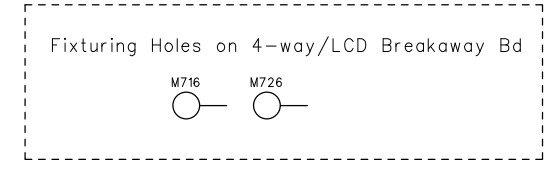
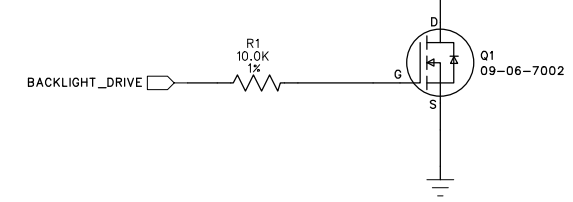
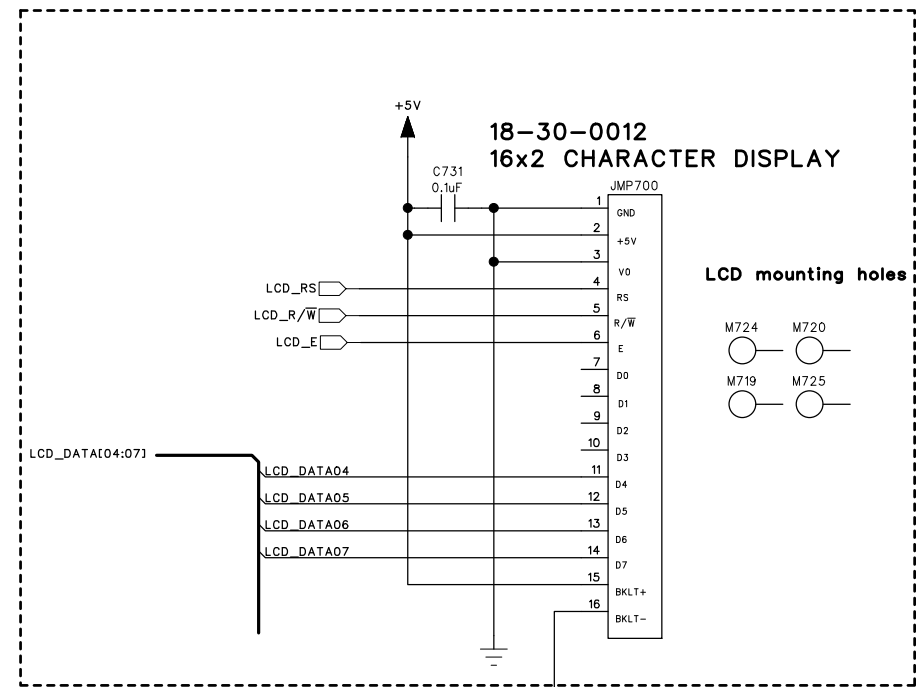
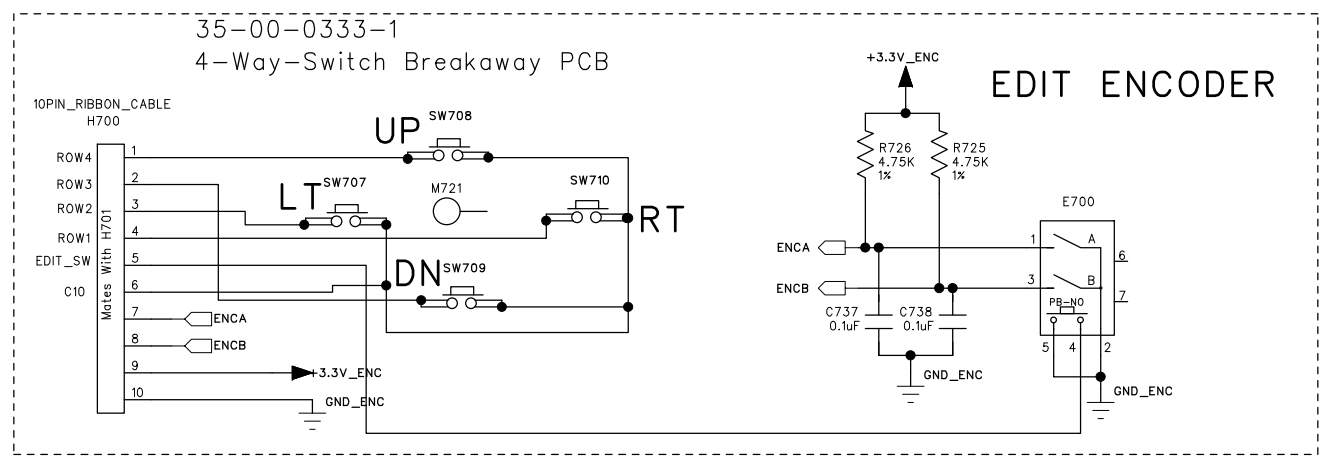
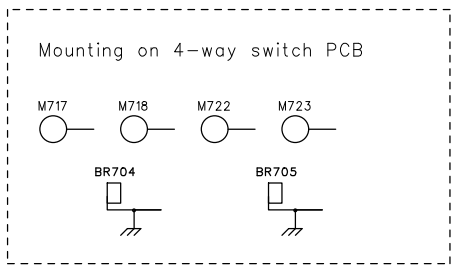
THE INFORMATION CONTAINED IN THIS DRAWING IS THE SOLE PROPERTY OF LINE 6 INC. ANY REPRODUCTION IN PART OR WHOLE WITHOUT THE WRITTEN PERMISSION OF LINE 6 INC. IS PROHIBITED

COMPANY:	LINE 6
TITLE:	A21: SPIDER IV UI PCB LEDs
PROGRAM:	PADS LOGIC 2007
FILENAME:	A21 Spider IV UI Rev B.sch
SCALE: 1:1	SIZE: C
PART NUMBER: 35-00-0333	SHEET: 2 OF 3

DRAWN:	DATED:
A.Monge/D.Blackmore	06/11/2008
CHECKED:	DATED:

REV: **B**

ECOs INCLUDED ON THIS SCHEMATIC/PCB REVISION		
ECO NO:	DATE:	DESCRIPTION:



THE INFORMATION CONTAINED IN THIS DRAWING IS THE SOLE PROPERTY OF LINE 6 INC. ANY REPRODUCTION IN PART OR WHOLE WITHOUT THE WRITTEN PERMISSION OF LINE 6 INC. IS PROHIBITED

COMPANY: **LINE 6**

TITLE: **A21: SPIDER IV UI PCB
LCD / 4-WAY BREAKAWAY**

PROGRAM: PADS LOGIC 2007

FILENAME: A21 Spider IV UI Rev B.sch

SCALE: 1:1 SIZE: C PART NUMBER: 35-00-0333-1 SHEET: 3 OF 3

DRAWN: A.Monge/D.Blackmore	DATED: 06/11/2008
CHECKED:	DATED:

REV:
B

6

5

4

3

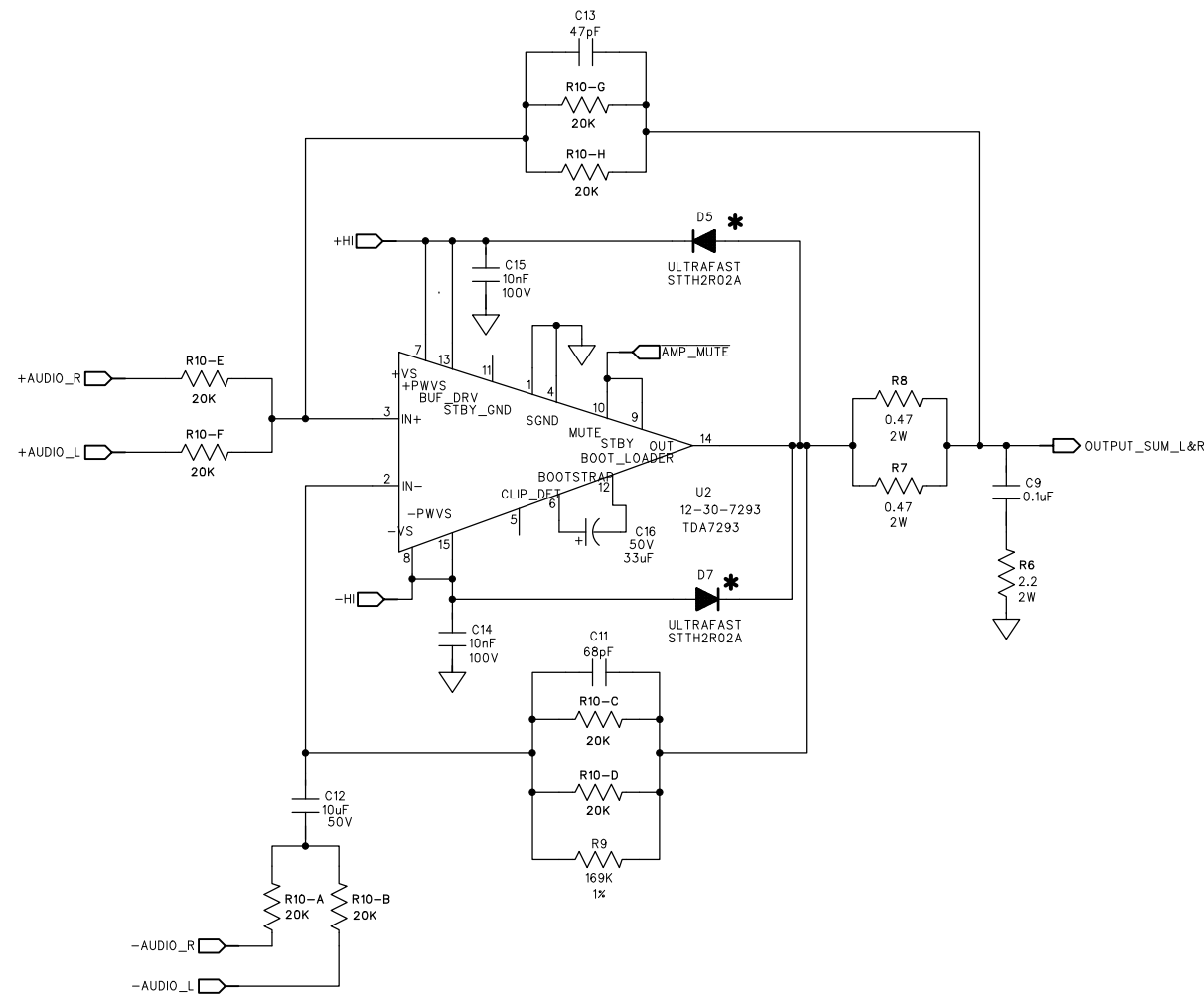
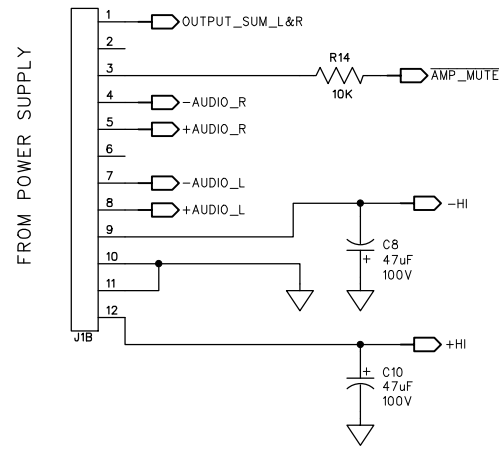
2

1

POWER AMP

* DO NOT INSTALL

ECOs INCLUDED ON THIS SCHEMATIC/PCB REVISION		
ECO NO:	DATE:	DESCRIPTION:
0314803	05.22.03	Released as rev.A to MFG - (mh)



THE INFORMATION CONTAINED IN THIS DRAWING IS THE SOLE PROPERTY OF LINE 6 INC. ANY REPRODUCTION IN PART OR WHOLE WITHOUT THE WRITTEN PERMISSION OF LINE 6 INC. IS PROHIBITED

COMPANY: **LINE 6**

TITLE: **A21-3 SPIDER IV
75W POWER AMP**

PROGRAM: PADS LOGIC 2007

FILENAME:

DRAWN: gk

DATED: 04/16/2008

CHECKED:

DATED: Date

SCALE: 1:1 SIZE: C PART NUMBER: 35-00-0335 SHEET: 1 OF 1

D

C

B

A

D

C

B

A

6

5

4

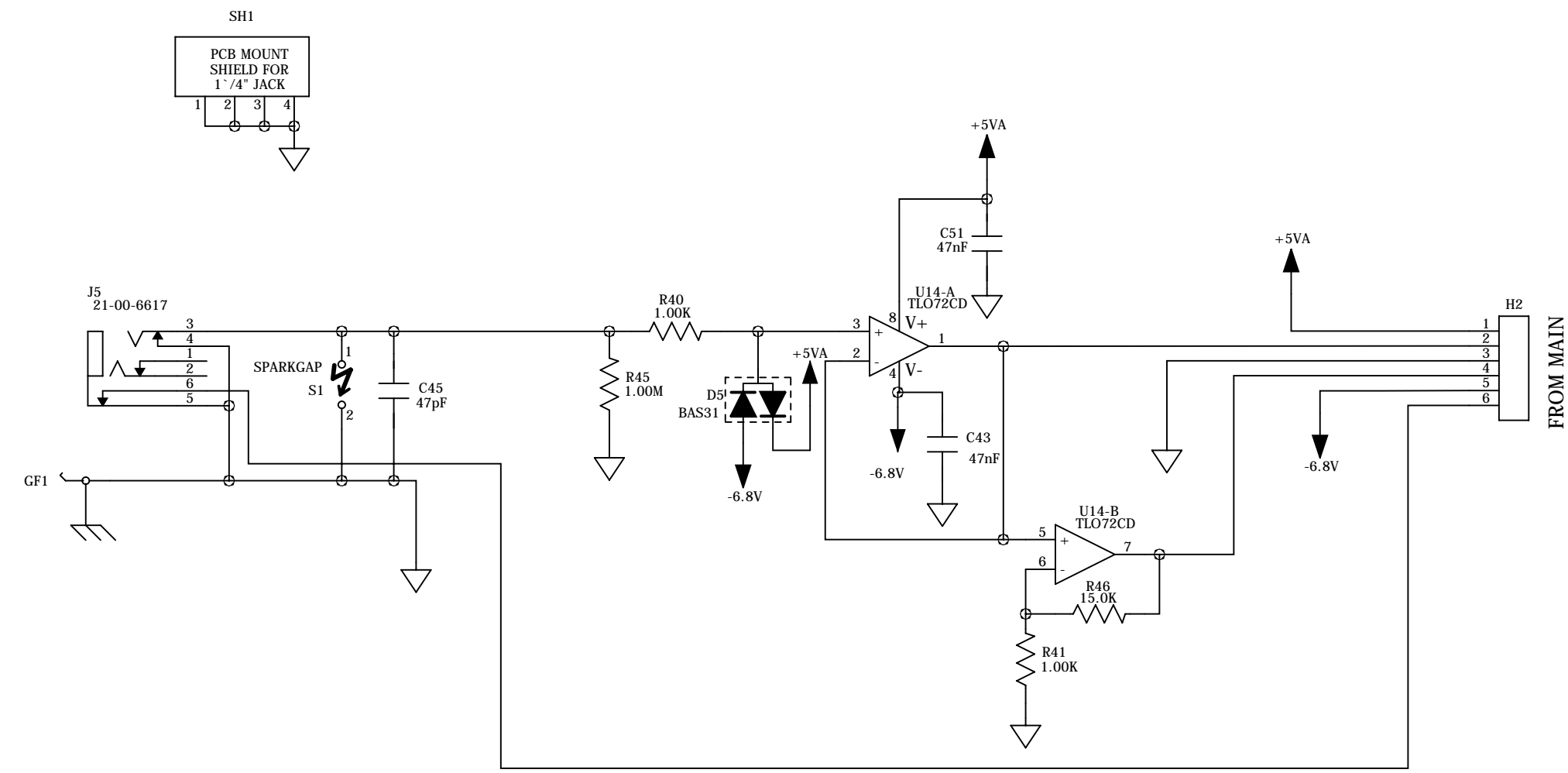
3

2


1

ECOs INCLUDED ON THIS SCHEMATIC/PCB REVISION		
ECO NO:	DATE:	DESCRIPTION:
0703704	02.06.07	Releasing Rev D. Gerber changes only.

GUITAR IN



THE INFORMATION CONTAINED IN THIS DRAWING IS THE SOLE PROPERTY OF LINE 6 INC. ANY REPRODUCTION IN PART OR WHOLE WITHOUT THE WRITTEN PERMISSION OF LINE 6 INC. IS PROHIBITED

COMPANY:  LINE 6		REV: A
TITLE: A21-3/4/5/7 SPIDER IV GUITAR INPUT		
PROGRAM: PADS LOGIC 2007		FILENAME:
DRAWN: A.Monge	DATED: 09/16/2008	
CHECKED: review panel	DATED:	SCALE: 1:1 SIZE: C PART NUMBER: 35-00-0071 SHEET: 1F 1

D

C

B

A

D

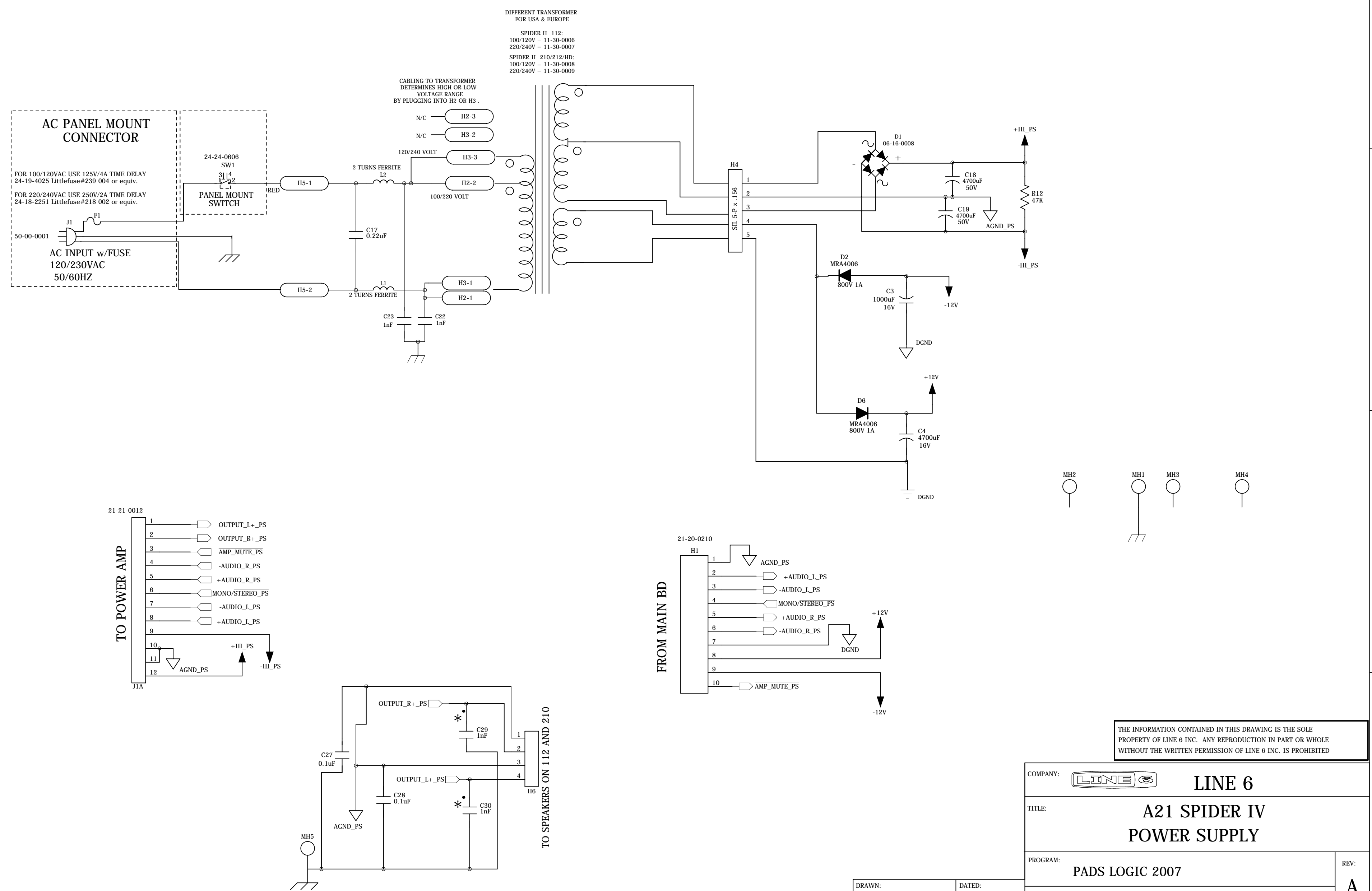
C

B

A

POWER SUPPLY

ECOs INCLUDED ON THIS SCHEMATIC/PCB REVISION		
ECO NO:	DATE:	DESCRIPTION:



* DO NOT INSTALL

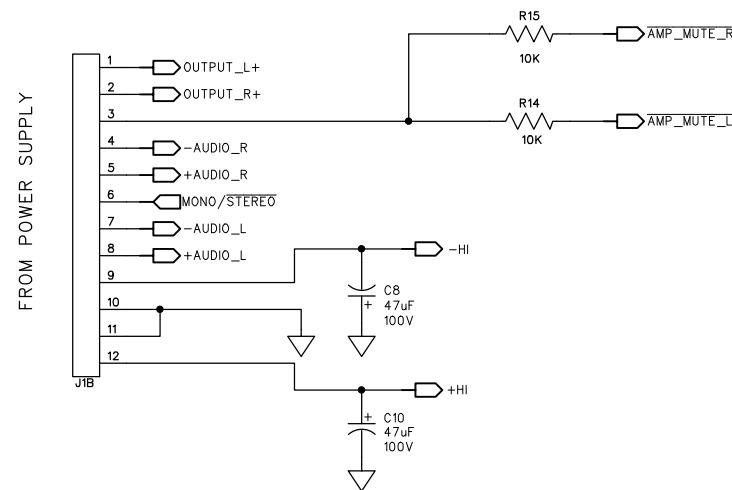
THE INFORMATION CONTAINED IN THIS DRAWING IS THE SOLE PROPERTY OF LINE 6 INC. ANY REPRODUCTION IN PART OR WHOLE WITHOUT THE WRITTEN PERMISSION OF LINE 6 INC. IS PROHIBITED

COMPANY: LINE 6	
TITLE: A21 SPIDER IV POWER SUPPLY	
PROGRAM: PADS LOGIC 2007	REV: A
FILENAME:	
SCALE: 1:1	SIZE: C
PART NUMBER: 35-00-0336	SHEET: 1F 1

DRAWN: A.Monge/G.Kirtley	DATED: 06/20/2008
CHECKED:	DATED:

POWER AMP

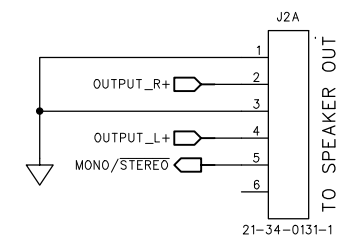
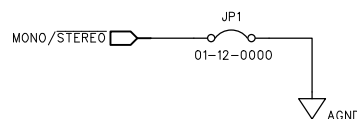
ECOs INCLUDED ON THIS SCHEMATIC/PCB REVISION		
ECO NO:	DATE:	DESCRIPTION:
0314803	05.22.03	Released to MFG as rev.A - (mh)
0634303	12.03.08	Released to MFG as rev.B - (mh)
	03.26.09	Released to MFG as rev.B2 - (JB)
	03.30.09	Released to MFG as rev.C - (JF)



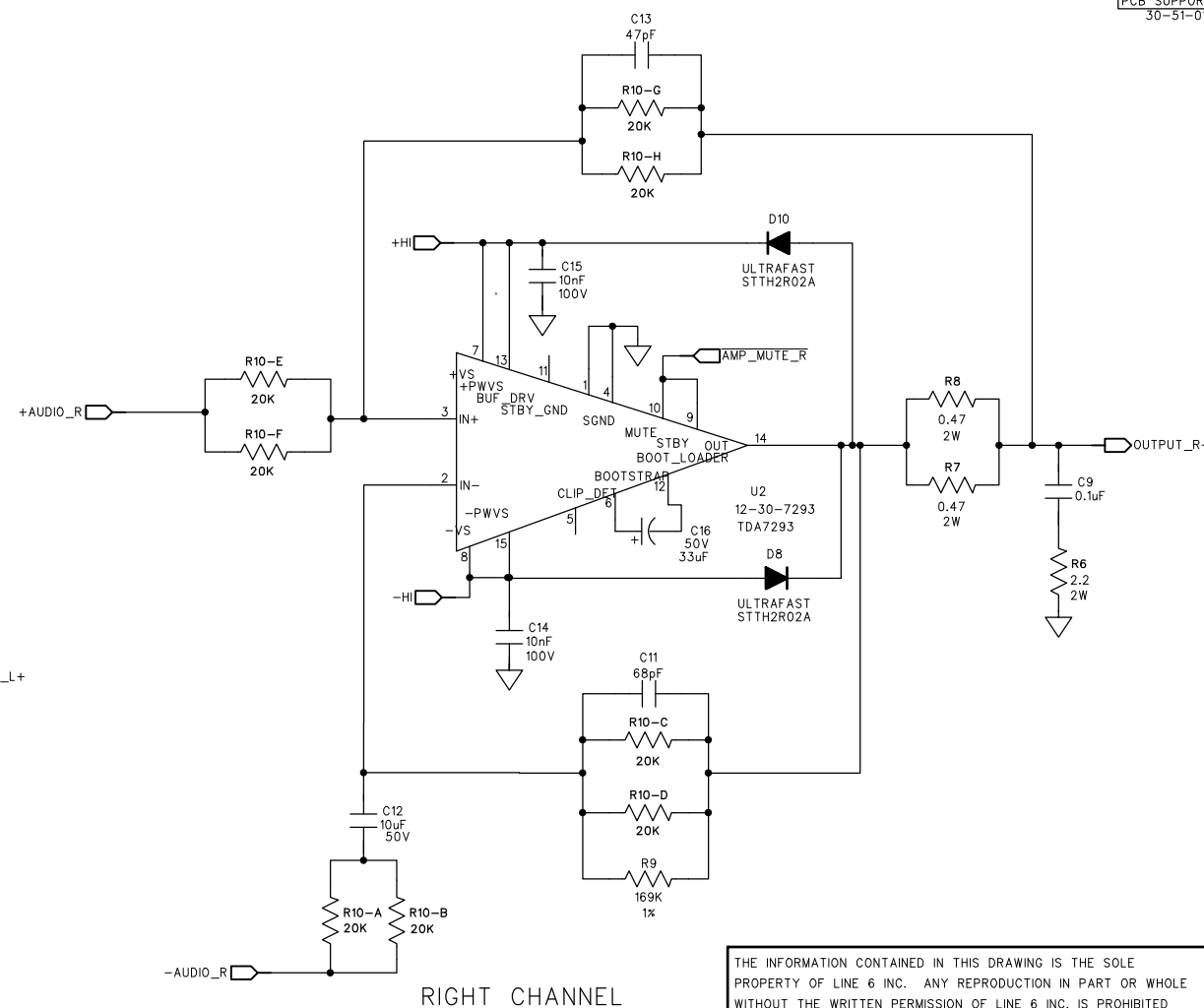
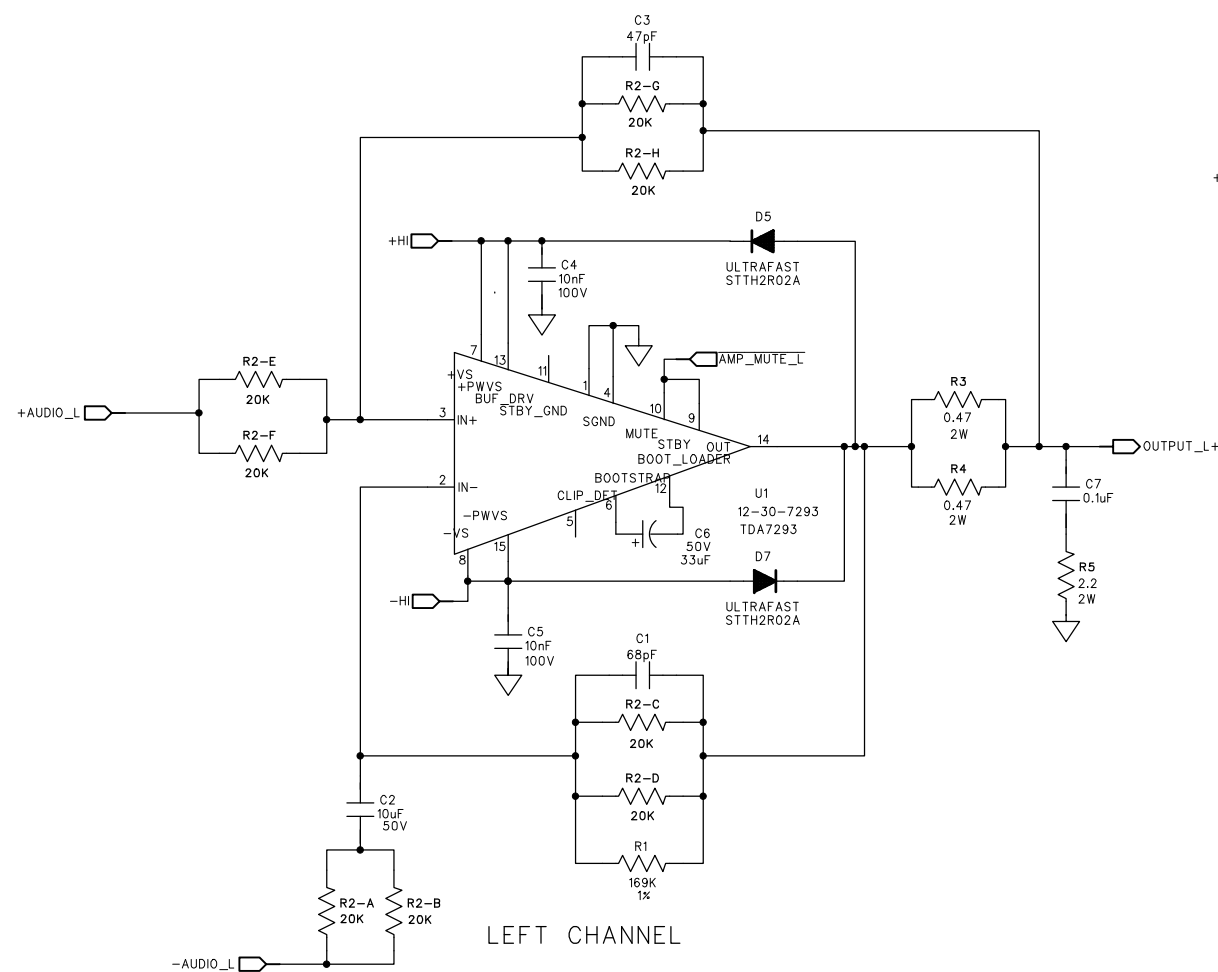
JP-1 JUMPER SELECTION

Speakers	Config.	JP-1 Status
2 X 12	STEREO	Install
2 X 10	STEREO	Install
HEAD	MONO/STEREO	Do Not Install

STEREO = LOW
 MONO = HI
 (PULL-UP ON SIGNAL AT MAIN BOARD)



BRT
 PCB SUPPORT CLIP
 30-51-0105



THE INFORMATION CONTAINED IN THIS DRAWING IS THE SOLE PROPERTY OF LINE 6 INC. ANY REPRODUCTION IN PART OR WHOLE WITHOUT THE WRITTEN PERMISSION OF LINE 6 INC. IS PROHIBITED

COMPANY: **LINE 6**

TITLE: **A21-4/5/7 SPIDER IV
 120, 150, HD150 POWER AMP**

PROGRAM: PADS LOGIC 2007

FILENAME: A21-4/5/7 SPIDER IV AMP 150 REV C.sch

DRAWN: A.Monge / gk
 CHECKED:

DATED: 06-20-08
 DATED: Date

SCALE: 1:1 SIZE: C PART NUMBER: 35-00-0334 SHEET: 1 OF 1

REV: C

Spider IV Branded Main PCBA Part Numbers

Part Number	Model Description
50-02-0332-1	PCBA MAIN SPIDER IV 75 BRANDED A21-3
50-02-0332-2	PCBA MAIN SPIDER IV 120 BRANDED A21-4
50-02-0332-3	PCBA MAIN SPIDER IV 150 BRANDED A21-4
50-02-0332-4	PCBA MAIN SPIDER IV HD150 BRANDED A21- 7

99-010-3405 - A21-3 AMP SPIDER IV 75 US 120V

Part Number	Description	Qty	Refdes
21-37-1160	CBL PWR UL/CSA SJT 8.2FT BLK E L-302 w/GND EL70	1	
40-00-0186	ADDENDUM USER SPIDER IV SERIES A21-3 A21-4 A21-5 A21-7	1	
40-00-0237	INSERT SPIDER W SHANK COLLATERALS A21	1	
40-00-1000	CARD WARRANTY LINE 6	1	
40-01-0016	CARD LICENSE-AGREEMNT END-USER ALL-PRODUCTS	1	
40-03-0031	CARD REGISTRATION UK	1	
40-03-2000	CARD REGISTRATION US	1	
40-03-2000-1	CARD REGISTRATION EUROPE	1	
40-10-0257	CARTON GIFT SPIDER IV-75 A21-3	1	
40-15-0022	SILICA GEL PACK 3.0" x 3.5"	3	
40-15-0023	ANTISEPTIC PACK (5g/package)	1	
40-15-0040	PACKAGING FOAM CORNER BOTTOM 6.5" 5.6" 6.5" A21	8	
40-15-0048	INSERT CARDBOARD SHIPPING CARTON 14.5" 24.5"	1	
40-20-0009	BAG PLASTIC SPIDER 112 800MM 600MM IMM	1	
40-20-0011	BAG PLASTIC 10 x 16 2 mil	1	
40-25-0020	LABEL INSPECTION QUALITY	1	
40-25-0024	STICKER ART SEAL EULA	1	
40-25-0100	LABEL BAR CODE SERIAL NUMBER 4-PANEL LABEL	1	
59-00-0047-1	ASSY UNIT COMPLETE SPIDER IV- 75 112 100W/120V A21-3	1	

59-00-0047-1 ASSY UNIT COMPLETE SPIDER IV- 75 112 100W/120V A21-3

Part Number	Description	Qty	Refdes
11-20-1003	SPEAKER 12" 8 OHM CELESTION T5648A	1	
30-00-0015	SCREW 10-24 UNC x 1.000" TRUSS-HD BLACK-OXIDE	4	
30-00-0158	SCREW 10-32 x 1.25 OVAL PH w/ PILOT TIP	6	
30-00-8112	SCREW WOOD #8 x 1 1/2" OVAL PH H STL BLK OXIDE	9	
30-03-0035	WASHER #10 SPLIT LK WASH ZINC	4	
30-03-0112	WASHER FINISHING #10 FLANGED STL BLK OXIDE	13	
30-03-1010	WASHER #10 FLAT .20-.25 ID .45-.55 OD .04-.05 THK ZINC	4	
30-63-0030-9	FOAM W/ADHESIVE 1 SIDE 2.4" X .25" X .35" A21	2	
30-63-0600-2	FOAM W/ADHESIVE 5.0" X 0.25" X 0.06" VOLARAPOLEFIN	1	
40-25-0132	STICKER SPEAKER-GRILL PROMO SPIDER IV-75 A21-3	1	
40-25-0136	LABEL CLING DEMO SPIDER IV A21	1	
40-25-0168	LABEL ETL SUGA 2"X 1" INTERTERK CHINA	1	
50-03-0060	ASSY CABINET 112 SPIDER IV-75 A21-3	1	

50-03-0060 ASSY CABINET 112 SPIDER IV-75 A21-3

Part Number	Description	Qty	Refdes
30-00-0151	SCREW 10-24 x .75 PAN HD PHIL ZINC	4	
30-00-0676	SCREW WOOD NO.6 x 3/4" PHIL OVAL HD BLK	4	
30-00-0812	SCREW w/WAX 8 x 3/4 FTB	16	
30-00-0858	SCREW #8 x 5/BIN PHIL-TRUSS BLACK w/WAX	4	
30-00-8112	SCREW WOOD #8 x 1 1/2" OVAL PH H STL BLK OXIDE	9	
30-06-1024	NUT-T 10-24 X 5/16 STEEL	8	
30-27-0351-1	CORNER FRONT RT 4.0 X 3.6 X .90 BLK PLASTIC A21	1	
30-27-0351-2	CORNER FRONT LEFT 4.0 X 3.6 X .90 BLK PLASTIC A21	1	
30-27-0352	CORNER SMALL 1.3 X 1.3 X 1.3 PLASTIC A21	6	
30-36-0005	COVER VINYL TEXTURED BLACK SEMI GLOSS	5.25P/FT	
30-39-0005	GRILL CLOTH TAN/BROWN/BLACK BASKET WEAVE	1.25P/FT	
30-39-0026	VIBRATION DAMPENER 5.8 IN 2.25 IN .10 IN	2	
30-51-0361	TOPE BAR 18.3 X 1.5 ELEC GALV STL 112 A21-3	1	
30-57-0008	HANDLE ASSY CABINET A21	1	
30-60-0010	LOGO FRAME LINE 6 112 HI IMPACT ABS A21-3	1	
40-25-0083	STICKER CARB WOOD CABINET	1	
50-04-0072-1	ASSY E/M CHASSIS SPIDER IV-75 100W/120V A21-3	1	

50-04-0072-1 ASSY E/M CHASSIS SPIDER IV-75 100W/120V A21-3

Part Number	Description	Qty	Refdes
11-30-0006	XFMR 100/120VAC 50/60Hz 76MM 34VAC x 2 / 9.8VAC 1-CONNECTOR	1	
21-34-0037	CBL ASSY 2 PIN 13.5" LG	1	
21-34-0087-2	CBL ASSY 10 COND 26AWG F/F X 6 .0" WHITE	1	
21-34-0090-1	CBL ASSY RIBBON 40 POS 28AWG 2 0 X 2 E/F X 5"	1	
21-34-0111	CBL ASSY 6 COND 26AWG F/F X 6	1	
21-34-0120-1	CBL DIL 12 COND 26AWG 2MM F-F JST 4.5"	1	
21-34-0121-1	CBL SIL 18AWG 3PIN 2 COND .256 107/13" .187-RCPT F	1	
21-34-1022	CBL FSTN .187-RCPT X 2 1-COND 18AWG STRAND 18AWG BK	1	
24-19-4025	FUSE 4A 125V 5MM x 20MM TIME L AG	1	
24-24-0607	SWITCH POWER ROCKER 6A/250V 10 A/120V w/O OFF CAP PRINT	1	
30-00-0043	SCREW 6-32 X 5/16 LG WITH LOCK WASHER PHIL PAN ZINC-PLATED STEEL	8	
30-00-0128	SCREW 6-32 x .375 W/LK WASH PP H BLK	1	
30-00-0150	SCREW 4-40 x .3125 w/LK WASH PAN HD PHIL ZINC	10	
30-00-9818	SCREW #6-32 UNF PAN HD WEXT TOOTH LK WASH .1875 STEEL BLK OXIDE	4	
30-06-0832	NUT .335 HEX 8-32 STL ZINC W/ TOOTH WASHER	4	
30-15-0004	SPACER .13 THICK x .630D NYLON	1	
30-24-0003	CABLE TIE 4" CLEAR	3	
30-42-0026-1	OVERLAY UJ 18" X 2.3" X .040" CLEAR PC A21-3 (112)	1	
41-00-0218	ARTWORK SILKSCREEN FRONT PANEL SPIDER4-75 A21-3	1	
30-45-0023	KNOB 0.77" DIA X 0.71" HT PLAS TIC CHROME PLATED A21	11	
30-45-0027	KNOB ENCODER .55 DIA X .50 HT ABS BLK A21 A23	1	
30-51-0365-1	CHASSIS 18.3 X 3.6 X 6.6 STEEL 0.040 THK A21-3	1	
41-00-0208	ARTWORK SILKSCREEN CHASSIS REAR SPIDER IV-75 A21-3	1	
30-51-0366	HEATSINK 8.0" X 3.5" ALUMINUM ALLOY BLK ANODIZE A21-3	1	
30-51-0385	CLIP IC SCREW-MOUNT .5" X 1.2" STEEL A21-3	1	
30-63-0006	PAD THERMAL GMIL 25MM x 30MM w/ADHESIVE 4KVAC VTM-0	1	
30-63-0010	FOAM w/ADHSV 26.5x 1/4x 1/16" VOLARAPOLEFIN	2	
30-63-0030-4	FOAM W/ADHESIVE 1 SIDE 18.25" X .25" X .35" A21-3	1	
30-63-0050	HEAT SHRINK TUBING VEP-876 2.5MM DIA X .4.7MM LONG	17	
30-63-0600-4	FOAM W/ADHESIVE 0.6" X 0.25" X 0.06" VOLARAPOLEFIN	1	
30-75-9600	GROMMET RUBBER 7/16-D x 1/16 GRV x 3/4" GRV-DIA BLACK	1	

50-00-0001 ASSY RECEPTACLE-A/C W/GND WIRE SNAP-IN		1	
Part Number	Description	Qty	Refdes
21-34-0002	JACK IEC w/FUSE MALE 3 PIN PAN EL MOUNT SNAP IN VERT	1	J
21-34-1116	CBL EARTHING w/EYELET 16AWG 5' GREEN w/YELLOW STRIPE	1	J
50-02-0071	PCBA GUITAR INPUT SPIDER IV A21	1	
01-24-1001	RES 1.00K 1% 0805	2	R40,R41
01-24-1004	RES 1.00M 1% 0805	1	R45
01-24-1502	RES 15.0K 1% 0805	1	R46
03-52-0470	CAP X7R 47uF 50V 10% 0805	1	C45
03-52-0473	CAP X7R 47nF 50V 10% 0805	2	C43,C51
06-34-0031	DIODE GEN PUR DUAL 120V 600mA 50ns SOT-23 SM	1	D5
12-54-0072	IC OP AMP DUAL TL072 SM	1	U14
21-00-6617	JACK 1/4" TRS PCB MOUNT 6 PIN HORIZONTAL W/CHROME HRDWARE TH	1	J5
21-20-0206	HDR SIL PCB-MTG 6 PIN X 2MM MAL E SHRD VERT MT TH	1	H2
30-18-3030	CLIP GROUND PCB 30 x 30 x 0.7	1	GF1
30-51-0146	SHIELD PCB MT FOR 1/4 JACK 1.00 Hx1.25Wx.013THK BERYL COP	1	SH1
50-00-0001	ASSY RECEPTACLE-A/C W/GND WIRE SNAP-IN	1	
50-02-0083 PCBA DISPLAY LCD 2 X 16 POS CHARACTER 12-O'CLOCK AMBER		1	
Part Number	Description	Qty	Refdes
50-02-0083	PCBA DISPLAY LCD 2 X 16 POS CHARACTER 12-O'CLOCK AMBER	1	
18-30-0012	DISPLAY LCD MODULE 2X16 POS CHARACTER 12-O'CLOCK AMBER A21	1	
21-30-0015-7	CBL RIBBON SIL 6 COND 26AWG 2.54MM 5.0' W/SPLIT ENDS S/T	1	
21-30-0015-8	CBL RIBBON SIL 6 COND 26AWG 2.54MM 7.0' W/SPLIT ENDS S/T	1	
30-27-0283	SPRT DUAL LKG CAT 80 TEARDROP .156 LG 6/6 NYLON NAT A15	4	
50-02-0332	PCBA MAIN SPIDER IV A21	1	
Part Number	Description	Qty	Refdes
50-02-0332	PCBA MAIN SPIDER IV A21	1	
01-24-0000	RES 0R 1% 0805	1	R5
01-24-1000	RES 100R 1% 0805	1	R40
01-24-1002	RES 10.0K 1% 0805	6	R10,R11,R15,R16,R86,R87
01-24-1071	RES 1.07K 1% 0805	1	R1
01-24-1080	RES 10.0R 1% 0805	2	R69,R75
01-24-1101	RES 1.10K 1% 0805	4	R48,R110,R113,R114
01-24-1402	RES 14.0K 1% 0805	1	R132
01-24-1581	RES 1.58K 1% 0805	4	R111,R112,R115,R116
01-24-1580	RES 15R 1% 0805	2	R81,R90
01-24-1781	RES 1.78K 1% 0805	1	R2
01-24-2001	RES 2.00K 1% 0805	8	R122,R123,R124,R125,R126,R127,R128,R129
01-24-2051	RES 2.05K 1% 0805	4	R9,R12,R14,R17
01-24-2281	RES 22.1R 1% 0805	2	R59,R60
01-24-2491	RES 2.49K 1% 0805	2	R130,R131
01-24-30R1	RES 30.1R 1% 0805	1	R18
01-24-4751	RES 4.75K 1% 0805	2	R33,R36
01-24-4785	RES 47.5R 1% 0805	8	R21,R24,R34,R35,R37,R38
01-24-5181	RES 51.1R 1% 0805	2	R25,R30
01-24-5360	RES 536R 1% 0805	1	R42
01-24-5811	RES 5.11R 1% 0805	2	R54,R55
01-24-6981	RES 6.98R 1% 0805	4	R64,R66,R71,R74
01-24-9089	RES 90.9R 1% 0805	2	R5,R4
01-25-1000	RES 100R 1% 0603	2	R46-R47
01-25-1002	RES 10.0K 1% 0603	9	R56,R61,R93,R102,R105,R106,R107,R108,R117
01-25-1004	RES 1.00M 1% 0603	3	R8,R44,R45
01-25-1080	RES 10.0R 1% 0603	1	R57
01-25-2080	RES 20.0R 1% 0603	1	R6
01-25-3241	RES 3.24K 1% 0603	2	R58,R70
01-25-4751	RES 4.75K 1% 0603	24	R39,R41,R49,R50,R51,R76,R77,R78,R82,R83,R84,R85,R88,R91,R92,R94,R95,R97,R98,R99,R100,R101,R103,R104
01-25-4785	RES 47.5R 1% 0603	1	R7
01-25-4990	RES 499R 1% 0603	2	R52,R53
03-10-0338	CAP ELEC 330uF 6.3V 20% RADIAL 10/20/5	1	C19
03-11-2688	CAP ELEC RADIAL LOW-Z 6800UF 6.3V 20% 105C 0.014R 16.0MM 25.0MM 7.5MM TH	1	C2
03-50-0272	CAP NPO 2.7nF 50V 5% 0805	2	C9,C11
03-50-0330	CAP NPO 33pF 50V 5% 0805	1	C20
03-50-0391	CAP NPO 390pF 50V 5% 0805	1	C38
03-50-0472	CAP NPO 4.7nF 25V 5% 0805	4	C159,C160,C165,C166
03-50-0562	CAP NPO 5.6nF 50V 10% 0805	4	C161,C162,C163,C164
03-50-0681	CAP NPO 680pF 50V 5% 0805	4	C17,C21,C70,C85
03-52-0104	CAP X7R 0.1uF 50V 10% 0805	2	C150,C153
03-52-0221	CAP X7R 220pF 50V 10% 0805	2	C13,C16
03-52-0473	CAP X7R 47nF 50V 10% 0805	8	C111,C130
03-56-0101	CAP NPO 100pF 50V 5% 0603	3	C34,C154,C158
03-56-0102	CAP NPO 1nF 50V 5% 0603	2	C172,C174
03-56-0103	CAP NPO 10nF 50V 5% 0603	2	C175,C176
03-56-0180	CAP NPO 18pF 50V 5% 0603	2	C113,C120
03-56-0230	CAP NPO 22pF 50V 5% 0603	2	C14,C15
03-58-0102	CAP X7R 1nF 50V 10% 0603	21	C46,C56,C62,C64,C65,C66,C73,C94,C96,C99,C100,C103,C106,C115,C124,C125,C127,C134,C147,C151,C156
03-58-0103	CAP X7R 10nF 50V 10% 0603	9	C32,C45,C57,C80,C90,C95,C104,C110,C123
03-58-0104	CAP X7R 0.1uF 25V 10% 0603	60	C4,C37,C39,C40,C41,C42,C43,C44,C47,C49,C52,C54,C55,C58,C60,C63,C67,C72,C74,C76,C77,C79,C82,C86,C91,C93,C101,C102,C105,C107,C108,C109,C112,C116,C117,C118,C121,C122,C126,C128,C131,C132,C133,C135,C136,C137,C140,C141,C143,C144,C145,C146,C148,C149,C152,C155,C157,C171,C173,C178
03-80-0107	CAP ELEC 100uF 10V 20% SM 6.3/5.4/7.8	2	C7,C59
03-80-0227	CAP ELEC 220uF 10V 20% SM 8.6/2.8/5	2	C6,C177
03-80-0476	CAP ELEC 47uF 10V 20% SM 5/5.4/6.5	1	C61
03-80-1476	CAP ELEC 47uF 6.3V 20% SM 5.5/4/5.4	2	C26,C92
03-80-1477	CAP ELEC 470uF 6.3V 20% VS SM	1	C3
03-82-0106	CAP ELEC 10uF 16V 20% SM 4/5.4/5.5	8	C1,C3,C8,C10,C12,C71,C139,C142
03-88-0105	CAP ELEC 1uF 50V 20% VS SM	8	C48,C50,C51,C59,C78,C81,C114,C129
03-88-0106	CAP ELEC 10uF 50V 20% VS SM	2	C35-C36
04-01-0004	INDUCTOR CHOKI 150uH 0.4R 1A SM SHIELDED	1	L7
06-23-0054	DIODE SCHOTTKY DUAL 30V 200mA 5ns SOT-23 SM	1	D11
06-32-0130	DIODE SCHOTTKY 1A 30V 5MB SM	1	D1
06-34-0031	DIODE GEN PUR DUAL 120V 600mA 50ns SOT-23 SM	8	D3,D4,D5,D6,D7,D12,D13,D15

50-02-0332		PCBA MAIN SPIDER IV A21		1	
Part Number	Description	Qty	Refdes		
09-06-7002	TRANS MOSFET N-CHAN 60V 78S SOT-23 SM		1	C1	
11-00-0012	CRYSTAL 12MHz SM HC49 FOXSDF		1	C2	
11-00-1003	CRYSTAL 24.576MHz HC495 2PIN SM		1	X1	
11-10-0501	FERRITE BEAD 500R @100MHz 2.5A 1206 SM		2	L1,L8	
11-10-2012	FERRITE BEAD 600R @ 100MHz 300 mA 0805 SM		8	L2,L3,L4,L5,L6,L9,L10,L12	
12-00-0317	IC VREG ADJ 1.2V-37V 1.5 AMP TO-220 LM317 TH		1	U2	
12-01-7806	IC REG -5V 1.5A TO-220 TH		1	U19	
12-02-1088	IC REG ADJ TO-220 TH		1	U13	
12-02-7805	IC REG +5V 1.5 AMP TH		1	U10	
12-54-0072	IC OP AMP DUAL TL072 SM		1	U15	
12-54-0074	IC OP AMP TL074 SM		3	U5,U8,U9	
12-64-4272	IC STEREO AUDIO CODEC 24 BIT 192 KHz CS4272 SM		1	U4	
15-52-0541	IC 74LVCS41A LOW VOLT OCTAL BU FFER/DRIVER SOIC-20 SM		1	U18	
15-65-0004	IC 74LVCS4 LOW VOLTAGE HEX INV ERTER SO-14 SM		1	U17	
15-68-2374	IC PWM DC/DC CONVERTER DMP8 SM		1	U1	
15-70-0005	IC SDRAM 3.3V 64MB 1M x 16 x 4 EM638165TS-76 TSOP-54 SM		1	U3	
15-86-2375	IC DSP SHARC PROCESSOR 32 BIT ADSP-21375 LQFP208EP SM		1	U7	
15-92-5811	IC RESET PUSH PULL OUTPUT 3.3V ACTIVE LOW SOT-23 SM		1	U14	
15-98-0000	IC POT DIGITAL NON-VOL DUAL 10K SPI 2.7-5.5V 7BIT 129 14TSSOP SM		1	R109	
21-00-6616	JACK 1/4" TRS PCB MOUNT 6 PIN HORIZONTAL TH		1	J2	
21-12-0035	JACK 3.5MM STEREO 5 PIN CRIMPE D LEADS NON-THREADED		1	J3	
21-16-0045	JACK 8-45 MOD 8/8 RTIA FEMALE PCB 50AU		1	J1	
21-20-0206	HDR SIL PCB-MT 6 PIN x 2MM MALE SHRD VERT MT TH		1	H3	
21-20-0210	HDR SIL PCB-MT 10 PIN x 2MM MALE SHRD VERT MNT TH		1	H4	
21-21-0040	HDR DIL PCB-MT 40 PIN 2 x 20 x .100 MALE SHRD VERT MNT TH		1	H1	
30-00-0043	SCREW 6-32 X 5/16 LG WITH LOCK WASHER PHIL PAN ZINC-PLATED STEEL		1		
30-12-2210	STANDOFF HEX .250 6-32 F.F. 500 LG AL		1		
30-18-3030	CLIP GROUND PCB .30 x .30 x 0.7		3	GF1,GF2,GF3	
35-00-0332	PCB MAIN SPIDER IV A21-3/4/5/7		1		
45-01-0042	IC PROGRAMMED MCU SPIDER IV A21-3 A21-4 A21-5 A21-7		1	U12	
15-84-2132	IC MCU 16/32BH ARM7DMI w/ 64KB FLASH 16K SRAM LQFP64 SM		1	U121	
45-02-0056	IC PROGRAMMED FLASH A21-3/A21-4/A21-5/A21-7		1	U16	
15-78-2532	IC FLASH 32Mbit SPI SERIAL SOIC-8 200mil SM		1		
50-02-0333		PCBA UI SPIDER IV A21		1	
Part Number	Description	Qty	Refdes		
50-02-0333	PCBA UI SPIDER IV A21		1		
01-24-1000	RES 100R 1% 0805		4	R702,R704,R708,R710,R716,R720	
01-24-1002	RES 10.0K 1% 0805		1	R1	
01-24-1501	RES 1.50K 1% 0805		1	R2	
01-24-40R2	RES 40.2R 1% 0805		4	R701,R703,R713,R717	
01-24-4751	RES 4.75K 1% 0805		4	R705,R712,R719,R724	
01-24-4752	RES 47.5K 1% 0805		1	R3	
01-48-6103	POT MONO 10KB LINEAR TAPER 25MM W/9MM NUT D-SHAFT		11	R700,R705,R706,R707,R711,R714,R715,R718,R721,R722,R723	
03-52-0104	CAP X7R 0.1uF 50V 10% 0805		1	C1	
03-58-0104	CAP X7R 0.1uF 25V 10% 0603		4	C713,C718,C737,C738	
03-80-0107	CAP ELEC 100uF 10V 20% SM 6.3/5.4/7.8		1	C700	
06-34-0016	DIODE SWITCHING 75V 200mA 6ns SOT-23 SM		4	C710,C720,C725,C726	
09-06-7002	TRANS MOSFET N-CHAN 60V 78S SOT-23 SM		1	Q1	
09-10-0092	TRANS PNP HI VOLTAGE SOT-23 SM		1	Q2	
12-62-4052	IC SWITCH ANALOG 4052 SO-16 SM		2	U700,U701	
18-02-0003	LED YELLOW SUPER BRIGHT T-1.3M M DIFFUSED TH		1	D708,D709,D711,D713,D716,D723,D727	
18-06-0003	LED RED/GRN CYLINDRICAL T-1.3M M 3-PIN COM-CAH 627/565MM TH		1	D700,D701,D702,D703,D704,D705,D706,D707,D712,D714,D715,D717,D718,D719,D721,D723,D724	
21-18-0002	TERMINAL SCREW PCB MOUNT RIGHT ANGLE SNAP-IN 6-32 THREAD		6	BR700,BR701,BR702,BR703,BR704,BR705	
21-21-0040	HDR DIL PCB-MT 40 PIN 2 x 20 x .100 MALE SHRD VERT MNT TH		1	H702	
21-30-0012	CBL SIL 10 PIN 26AWG 2.54MM x 40MM S/T		1		
24-12-0010	ENCODER 20 STEP W/SWITCH 20MM D-SHAFT METAL V-MNT PCB		1	E700	
24-31-1105	SWITCH TACT 6MM SQ 4 PIN TH		1	SW700,SW701,SW702,SW703,SW704,SW705,SW706,SW707,SW708,SW709,SW710	
30-15-0035-3	SPACER LED 4.5MM DIA X 1.5MM NYLON KANG YANG LEDH-1.5		17		
30-27-0218	BUTTON 4 WAY BOTTOM .8 DIA x 0.5 HT ABS		1		
30-27-0221	4-WAY SW PIVOT PIN .37 x .200 DIA NYLON 6/6 WHITE		1		
30-27-0353	BUTTON PLASTIC CLEAR W/CHROME TOP A21		1		
30-27-0363	BUTTON 4 WAY TOP .8 DIA x 4.1 HT ABS		1		
30-27-0364	FRAME 4-WAY 1.04 DIA X 0.7 ABS A15 A21 A23		1		
30-63-0028	FOAM RING 4-WAY SW RET PU .75 OD x .40 ID x .18 HT BLK		1		
35-00-0333	PCB UI SPIDER IV A21-3/4/5/7		1		
35-00-0333-1	PCB 4-WAY SW/LED BREAK-AWAY SPIDER IV A21-3/4/5/7		1		
50-02-0335		PCBA POWER AMP 75W SPIDER IV A21-3		1	
Part Number	Description	Qty	Refdes		
50-02-0335	PCBA POWER AMP 75W SPIDER IV A21-3		1		
01-00-0103	RES 10K 5% 0805		1	R14	
01-22-02R2	RES METAL OXIDE 2.2R 2W 5% TH		1	R6	
01-22-0847	RES METAL OXIDE 0.47R 2W 5% TH		1	R7,R8	
01-24-1693	RES 169K 1% 0805		1	R9	
01-60-0203	RES NETWORK ISOLATED 20K 16P BR .3W 2% CER SOP-16 SM		1	R10	
03-18-0336	CAP ELEC 33uF 50V 20% RADIAL 5/11/5		1	C16	
03-18-1106	CAP ELEC 10uF 50V 20% BI-POLAR RADIAL 6.3/11.2/5		1	C12	
03-22-0476	CAP ELEC 47uF 100V 20% RADIAL 10/15/5		2	C8,C10	
03-24-1104	CAP MET POLY 0.1uF 100VDC 5% TH 4.5/7.5/7/5		1	C9	
03-52-0470	CAP X7R 47pF 50V 10% 0805		1	C13	
03-52-0680	CAP X7R 68pF 50V 10% 0805		1	C11	
03-52-1103	CAP X7R 40nF 100V 10% 0805		2	C14,C15	
12-30-7293	IC POWER AMP 100W TDA7293 TO-220/15 TH		1	U12	
21-21-0012	HDR DIL PCB-MT 12 PIN 2 x 6 x 2MM MALE SHRD VERT JST TH		1	J18	
35-00-0335	PCB POWER AMP 75W SPIDER IV A21-3		1		
50-02-0336	PCBA SUPPLY 75W - 150W SPIDER IV A21-3/4/5/7		1		
01-12-0473	RES CARBON FILM 47K 1/4W 5% TH		1	R12	
03-00-0104	CAP CER DISC 0.1uF 50V 20% TH		2	C27,C28	
03-12-0478	CAP ELEC 4700uF 16V 20% RADIAL		1	C4	
03-12-0108	CAP ELEC 1000uF 16V 20% RADIAL 10/16/5		1	C3	
03-18-0478	CAP ELEC 4700uF 50V 20% RADIAL 25/40/10 OR 22/35/10		2	C18,C19	
03-18-0324	CAP X-CAP 0.22uF 275VAC 20% POLYPROPYLENE 18/9.5/17.5/15		1	C17	
03-75-0102	CAP X-CAP 1uF 250VAC 20% TH CER DISC 70/7/7/5		2	C22,C23	
06-16-0008	DIODE BRIDGE RECTIFIER 600V 8A 4 PIN SIL TH		1	D1	
06-32-4006	DIODE RECTIFIER 800V 1A SMA SM		2	D2,D6	
11-10-2020	CHOKE WIDE BAND 1-5 TURNS		2	L1,L2	
21-20-0210	HDR SIL PCB-MT 10 PIN x 2MM MALE SHRD VERT MNT TH		1	H1	
21-20-1564	HDR SIL PCB-MT 4 PIN x .156 MALE LE VERT MNT FRIC LOCK		1	H6	
21-20-1565	HDR SIL PCB-MT 5 PIN x .156 MALE LE VERT MNT FRIC LOCK		1	H4	
21-20-3122	HDR SIL PCB-MT 2 PIN x 7.92MM MALE VERT MNT FRIC LOCK		1	H5	
21-20-3123	HDR SIL PCB-MT 3 PIN x 7.92MM MALE VERT MNT FRIC LOCK		2	H2,H3	
21-21-0012	HDR DIL PCB-MT 12 PIN 2 x 6 x 2MM MALE SHRD VERT JST TH		1	J1A	
35-00-0336	PCB SUPPLY 75W-150W SPIDER IV A21-3/4/5/7 REV A		1		

99-010-3505 Spider IV 120 US

Part Number	Description	Qty	Refdes
21-37-1160	CBL PWR UL/CSA SJT 8.2FT BLK E L-302 w/GND EL70	1	
40-00-0186	ADDENDUM USER SPIDER IV SERIES A21-3 A21-4 A21-5 A21-7	1	
40-00-0237	INSERT SPIDER IV SHARC COLLATERALS A21	1	
40-00-1000	CARD WARRANTY LINE 6	1	
40-01-0016	CARD LICENSE-AGREEMENT END-USER ALL-PRODUCTS	1	
40-03-2000	CARD REGISTRATION US	1	
40-03-2000-1	CARD REGISTRATION EUROPE	1	
40-10-0258	CARTON GIFT SPIDER IV-120 A21-4	1	
40-15-0022	SILICA GEL PACK 3.0" x 3.5"	3	
40-15-0023	ANTISEPTIC PACK (5g/package)	1	
40-15-0040	PACKAGING FOAM CORNER BOTTOM 6.5" 5.6" 6.5" A21	8	
40-15-0049	INSERT CARDBOARD SHIPPING CARTON 14.5" 27.5"	2	
40-20-0011	BAG PLASTIC 10 x 16 2 mil	1	
40-20-0027	BAG PLASTIC 840MM 580MM .1MM SPIDER 210	1	
40-25-0020	LABEL INSPECTION QUALITY	1	
40-25-0024	STICKER ART SEAL EULA	1	
40-25-0100	LABEL BAR CODE SERIAL NUMBER 4-PANEL LABEL	1	
59-00-0048-1	ASSY UNIT COMPLETE SPIDER IV- 120 210 100V/120V A21-4	1	
59-00-0048-1	ASSY UNIT COMPLETE SPIDER IV- 120 210 100V/120V A21-4	1	
Part Number	Description	Qty	Refdes
11-20-0000	SPEAKER 10" 8 OHM CELESTION TS 345	2	
30-00-0015	SCREW 10-24 UNC x 1.000" TRUSS-HD BLACK-OXIDE	8	
30-00-0158	SCREW 10-32 x 1.25 OVAL PH w/ PILOT TIP	6	
30-00-8112	SCREW WOOD #8 x 1 1/2" OVAL PH H STL BLK OXIDE	9	
30-03-0035	WASHER #10 SPLIT LK WASH ZINC	8	
30-03-0112	WASHER FINISHING #10 FLANGED STL BLK OXIDE	13	
30-03-1010	WASHER #10 FLAT .20-.25 ID, .45-.55 OD, .04-.05 THK ZINC	8	
30-63-0030-9	FOAM W/ADHESIVE 1 SIDE 2.4" X .25" X .15" A21	2	
30-63-0600-2	FOAM W/ADHESIVE 5.0" X 0.25" X 0.06" VOLARAPOLOLEFIN	1	
40-25-0133	STICKER SPEAKER-GRILL PROMO SPIDER IV-120 A21-4	1	
40-25-0136	LABEL CLING DEMO SPIDER IV A21	1	
40-25-0168	LABEL ETL SUGA 2"X 1" INTERTEK CHINA	1	
50-03-0061	ASSY CABINET SPIDER IV-120 210 A21-4	1	
30-00-0151	SCREW 10-24 x .75 PAN HD PHIL ZINC	4	
30-00-0676	SCREW WOOD NO.6 x 3/4" PHIL OVAL HD BLK	4	
30-00-0812	SCREW w/WAX 8 x 3/4 PTB	16	
30-00-0858	SCREW #8 x 5/8IN PHIL-TRUSS BLACK w/WAX	4	
30-00-8112	SCREW WOOD #8 x 1 1/2" OVAL PH H STL BLK OXIDE	9	
30-06-1024	NUT-T 10-24 X 5/16 STEEL	12	
30-27-0351-1	CORNER FRONT RT 4.0 X 3.6 X .90 BLK PLASTIC A21	1	
30-27-0351-2	CORNER FRONT LEFT 4.0 X 3.6 X .90 BLK PLASTIC A21	1	
30-27-0352	CORNER SMALL 1.3 X 1.3 X 1.3 PLASTIC A21	6	
30-36-0005	COVER VINYL TEXTURED BLACK SEMI GLOSS	0.7 SQ m	
30-39-0005	GRILL CLOTH TAN/BROWN/BLACK BASKET WEAVE	0.2 SQ m	
30-39-0026	VIBRATION DAMPENER 5.8 IN 2.25 IN .10 IN	2	
30-51-0363	STONE BAR 21.9 X 1.5 ELEC GALV STL 210 A21-4	1	
30-57-0008	HANDLE ASSY CABINET A21	1	
30-60-0011	LOGO FRAME LINE 6 210 HI IMPACT ABS A21-4	1	
40-25-0083	STICKER CARB WOOD CABINET	1	
50-04-0073-1	ASSY E/M CHASSIS SPIDER IV-120 100V/120V A21-4	1	

50-04-0073-1		ASSY E/M CHASSIS SPIDER IV-120 100V/120V A21-4	1
Part Number	Description	Qty	Refdes
11-30-0036	XFMR 100/120VAC 34Vx2/9V 86MM SPIDER4 - 210/212/HD (A21)	1	
21-34-0020-2	CBL SIL 4 PIN .156 x 15"	1	
21-34-0087-2	CBL ASSY 10 COND 26AWG F/F X 6. 0" WHITE	1	
21-34-0090-1	CBL ASSY RIBBON 40 POS 28AWG 2 0 X 2 F/F X 5"	1	
21-34-0111	CBL ASSY 6 COND 26AWG F/F X 6	1	
21-34-0120-1	CBL DIL 12 COND 26AWG 2MM F-F JST 4.5"	1	
21-34-0122-1	CBL SIL 18AWG 3PIN 2 COND .256 7.5"/10" .187-F FLAG/.187-RCPT	1	
21-34-1015	CBL FSTN .187-RCPT/.250-F FLAG 1-COND 161.34MM STRND 18AWG BK	1	
21-34-1024-1	CBL FSTN .187-RCPT/.187-F FLAG 1-COND 11.5 IN STRND 18AWG BLK	1	
24-19-4025	FUSE 4A 125V 5MM x 20MM TIME LAG	1	
24-24-0607	SWITCH POWER ROCKER 6A/250V 10 A/120V w/O OFF CAP PRINT	1	
30-00-0043	SCREW 6-32 X 5/16 LG WITH LOCK WASHER PHIL PAN ZINC-PLATED STEEL	8	
30-00-0150	SCREW 4-40 x .3125 w/LK WASH PAN HD PHIL ZINC	10	
30-00-0181	SCREW 6-32 UNC x 0.375" PAN-HD BLK SELF-TAP	4	
30-06-0832	NUT .335 HEX 8-32 STL ZINC W/ TOOTH WASHER	4	
30-15-0004	SPACER .13 THICK x .630D NYLON	1	
30-24-0003	CABLE TIE 4" CLEAR	3	
30-27-0218	BUTTON 4 WAY BOTTOM .8 DIA x 0.5 HT ABS	1	
30-27-0221	4-WAY SW PIVOT PIN .37 x .200 DIA NYLON 6/6 WHITE	1	
30-27-0363	BUTTON 4 WAY TOP .8 DIA X .4 H T ABS	1	
30-27-0364	FRAME 4-WAY 1.04 DIA X 0.7 ABS A15 A21 A23	1	
30-42-0026-2	OVERLAY UI 21.7" X 2.3" X .040 " CLEAR PC A21-4 (210)	1	
41-00-0219	ARTWORK SILKSCREEN FRONT PANEL SPIDER4-120 A21-4	1	
30-45-0023	KNOB 0.77" DIA X 0.71" HT PLAS TIC CHROME PLATED A21	11	
30-45-0027	KNOB ENCODER .55 DIA X .50 HT ABS BLK A21 A23	1	
30-51-0365-2	CHASSIS 21.7 X 3.6 X 6.6 STEEL 0.040 THK A21-4	1	
41-00-0216	ARTWORK SILKSCREEN CHASSIS REAR SPIDER IV-120 A21-4	1	
30-51-0367	HEATSINK 8.0" X 3.5" ALUMINUM ALLOY BLACK ANODIZE A21-4/5/7	1	
30-51-0386	CLIP IC SNAP .5" X 1.2" STEEL A21-4 -5 -7	1	
30-63-0006	PAD THERMAL 6MIL 25MM x 30MM w/ADHESIVE 4KVAC VTM-O	1	
30-63-0010	FOAM w/ADHSV 26.5x 1/4x 1/16" VOLARAPOLEFIN	5	
30-63-0028	FOAM RING 4-WAY SW RET PU .75 OD x .40 ID x .18 HT BLK	1	
30-63-0030-5	FOAM W/ADHESIVE 1 SIDE 21.7" X .25" X .15" A21-4	1	
30-63-0050	HEAT SHRINK TUBING VFP-876 2.5MM DIA X 4.7MM LONG	17	
30-63-0600-4	FOAM W/ADHESIVE 0.6" X 0.25" X 0.06" VOLARAPOLEFIN	1	
30-75-9600	GROMMET RUBBER 7/16-D x 1/16 GRV x 3/4" GRV-DIA BLACK	1	
50-00-0001	ASSY RECEPTACLE-A/C W/GND WIRE SNAP-IN	1	
50-00-0001		ASSY RECEPTACLE-A/C W/GND WIRE SNAP-IN	1
Part Number	Description	Qty	Refdes
21-14-0002	JACK IEC w/FUSE MALE 3 PIN PAN EL MOUNT SNAP IN VERT	1	
21-34-1116	CBL EARTHING w/EYELET 16AWG 5" GREEN w/YELLOW STRIPE	1	
50-02-0071	PCBA GUITAR INPUT SPIDER IV A21	1	
01-24-1001	RES 1.00K 1% 0805	2	R40,R41
01-24-1004	RES 1.00M 1% 0805	1	R45
01-24-1502	RES 15.0K 1% 0805	1	R46
03-52-0470	CAP X7R 47pF 50V 10% 0805	1	C45
03-52-0473	CAP X7R 47nF 50V 10% 0805	2	C43 C51
06-34-0031	DIODE GEN PUR DUAL 120V 600mA 50nS SOT-23 SM	1	D5
12-54-0072	IC OP AMP DUAL TL072 SM	1	U14
21-00-6617	JACK 1/4" TRS PCB MOUNT 6 PIN HORIZONTAL W/CHROME HRDWARE TH	1	J5
21-20-0206	HDR SIL PCB-MT 6 PIN x 2MM MAL E SHRD VERT MT TH	1	H2
30-18-3030	CLIP GROUND PCB .30 x .30 x .07	1	GF1
30-51-0146	SHIELD PCB MT FOR 1/4 JACK 1.00 Hx1.25Wx.013THK BERYL COP	1	SH1
35-00-0071	PCB GUITAR INPUT SPIDER IV A21 REV A	1	
35-00-0266	PCB INPUT SHIELD SPIDER IV REV.A A21-3 -4 -5 -7	1	

Part Number	Description	Qty	Refdes
50-02-0083	PCBA DISPLAY LCD 2 X 16 POS CHARACTER 12-O'CLOCK AMBER	1	
50-02-0083	PCBA DISPLAY LCD 2 X 16 POS CHARACTER 12-O'CLOCK AMBER	1	
18-30-0012	DISPLAY LCD MODULE 2X16 POS CHARACTER 12-O'CLOCK AMBER A21	1	
21-30-0015-7	CBL RIBBON SIL 6 COND 26AWG 2.54MM 5.0" W/SPLIT ENDS S/T	1	
21-30-0015-8	CBL RIBBON SIL 6 COND 26AWG 2.54MM 7.0" W/SPLIT ENDS S/T	1	
30-27-0283	SPRT DUAL LKG CKT BD TEARDROP .156 LG 6/6 NYLON NAT A15	4	
50-02-0332	PCBA MAIN SPIDER IV A21	1	
01-24-0000	RES OR 1% 0805	1	R5
01-24-1000	RES 100R 1% 0805	1	R40
01-24-1002	RES 10.0K 1% 0805	6	R10,R11,R15,R16,R86,R87
01-24-1071	RES 1.07K 1% 0805	1	R1
01-24-10R0	RES 10.0R 1% 0805	2	R69,R75
01-24-1101	RES 1.10K 1% 0805	4	R48,R110,R113,R114
01-24-1402	RES 14.0K 1% 0805	1	R132
01-24-1581	RES 1.58K 1% 0805	4	R111,R112,R115,R116
01-24-15R0	RES 15R 1% 0805	2	R81,R90
01-24-1781	RES 1.78K 1% 0805	1	R2
01-24-2001	RES 2.00K 1% 0805	8	R122-R129
01-24-2051	RES 2.05K 1% 0805	4	R9,R12,R14,R17
01-24-22R1	RES 22.1R 1% 0805	2	R59,R60
01-24-2491	RES 2.49K 1% 0805	2	R130,R131
01-24-30R1	RES 30.1R 1% 0805	1	R18
01-24-4751	RES 4.75K 1% 0805	2	R33,R36
01-24-47R5	RES 47.5R 1% 0805	8	R21,R22,R23,R24,R34,R35,R37,R38
01-24-51R1	RES 51.1R 1% 0805	2	R25,R30
01-24-5360	RES 536R 1% 0805	1	R42
01-24-5R11	RES 5.11R 1% 0805	2	R54,R55
01-24-6981	RES 6.98K 1% 0805	4	R64,R66,R71,R74
01-24-90R9	RES 90.9R 1% 0805	2	R3-R4
01-25-1000	RES 100R 1% 0603	2	R46-R47
01-25-1002	RES 10.0K 1% 0603	9	R56,R61,R93,R102,R105,R106,R107,R108,R117
01-25-1004	RES 1.00M 1% 0603	3	R8,R44,R45
01-25-10R0	RES 10.0R 1% 0603	1	R57
01-25-20R0	RES 20.0R 1% 0603	1	R6
01-25-3241	RES 3.24K 1% 0603	2	R58,R70
01-25-4751	RES 4.75K 1% 0603	24	R39,R41,R49,R50,R51,R76,R77,R78,R82,R84,R85,R88,R91,R92,R94,R95,R97,R98,R99,R100,R101,R103,R104
01-25-47R5	RES 47.5R 1% 0603	1	R7
01-25-4990	RES 499R 1% 0603	2	R52,R53
03-10-0338	CAP ELEC 3300uF 6.3V 20% RADIAL 10/20/5	1	C119
03-11-2688	CAP ELEC RADIAL LOW-Z 6800UF 6.3V 20% 105C 0.014R 16.0MM 25.0MM 7.5MM TH	1	C2
03-50-0272	CAP NPO 2.7nF 50V 5% 0805	2	C9,C11
03-50-0330	CAP NPO 33pF 50V 5% 0805	1	C20
03-50-0391	CAP NPO 390pF 50V 5% 0805	1	C38
03-50-0472	CAP NPO 4.7nF 25V 5% 0805	4	C159,C160,C165,C166
03-50-0562	CAP NPO 5.6nF 50V 10% 0805	4	C161,C162,C163,C164
03-50-0681	CAP NPO 680pF 50V 5% 0805	4	C17,C21,C70,C85
03-52-0104	CAP X7R 0.1uF 50V 10% 0805	2	C150,C153
03-52-0221	CAP X7R 220pF 50V 10% 0805	2	C13,C16
03-52-0473	CAP X7R 47nF 50V 10% 0805	2	C111,C130
03-56-0101	CAP NPO 100pF 50V 5% 0603	3	C34,C154,C158
03-56-0102	CAP NPO 1nF 50V 5% 0603	2	C172,C174
03-56-0103	CAP NPO 10nF 50V 5% 0603	2	C175,C176
03-56-0180	CAP NPO 18pF 50V 5% 0603	2	C113,C120
03-56-0220	CAP NPO 22pF 50V 5% 0603	2	C14,C15
03-58-0102	CAP X7R 1nF 50V 10% 0603	21	C46,C56,C62,C64,C65,C66,C73,C94,C96,C99,C100,C103,C106,C115,C124,C125,C127,C134,C147,C151,C156

50-02-0332	PCBA MAIN SPIDER IV A21	1
Part Number	Description	Qty Refdes
03-58-0103	CAP X7R 10nF 50V 10% 0603	9 C32,C45,C57,C80,C90,C95,C104,C110,C123
03-58-0104	CAP X7R 0.1uF 25V 10% 0603	60 C4,C37,C39,C40,C41,C42,C43,C44,C47,C49,C52,C54,C55,C58,C60,C63,C67,C72,C74,C76,C77,C79,C82,C86,C91,C93,C101,C102,C105,C107,C108,C109,C112,C116,C117,C118,C121,C122,C126,C128,C131,C132,C133,C135,C136,C137,C140,C141,C143,C144,C145,C146,C148,C149,C152,C155,C157,C171,C173,C178
03-80-0107	CAP ELEC 100uF 10V 20% SM 6.3/5.4/7.8	2 C7,C53
03-80-0227	CAP ELEC 220uF 10V 20% SM 8/6.2/9.5	2 C6,C177
03-80-0476	CAP ELEC 47uF 10V 20% SM 5/5.4/6.5	1 C61
03-80-1476	CAP ELEC 47uF 6.3V 20% SM 5.5/4/5.4	2 C26,C92
03-80-1477	CAP ELEC 470uF 6.3V 20% VS SM	1 C3
03-82-0106	CAP ELEC 10uF 16V 20% SM 4/5.4/5.5	8 C1,C5,C8,C10,C12,C71,C139,C142
03-88-0105	CAP ELEC 1uF 50V 20% VS SM	8 C48,C50,C51,C59,C78,C81,C114,C129
03-88-0106	CAP ELEC 10uF 50V 20% VS SM	2 C35-C36
04-01-0004	INDUCTOR CHOKE 150uH 0.4R 1A SM SHIELDED	1 L7
06-23-0054	DIODE SCHOTTKY DUAL 30V 200mA SnS SOT-23 SM	1 D11
06-32-0130	DIODE SCHOTTKY 1A 30V SMB SM	1 D1
06-34-0031	DIODE GEN PUR DUAL 120V 600mA 50ns SOT-23 SM	8 D3,D4,D5,D6,D7,D12,D13,D15
09-06-7002	TRANS MOSFET N-CHAN 60V 7R5 SOT-23 SM	1 Q1
11-00-0012	CRYSTAL 12MHz SM HC49 FOXSDLF	1 X2
11-00-1003	CRYSTAL 24.576MHz HC49S 2PIN SM	1 X1
11-10-0501	FERRITE BEAD 500R @100MHz 2.5A 1206 SM	2 L1,L8
11-10-2012	FERRITE BEAD 600R @ 100MHz 300 mA 0805 SM	8 L2,L3,L4,L5,L6,L9,L10,L12
12-00-0317	IC VREG ADJ 1.2V-37V 1.5 AMP TO-220 LM317 TH	1 U2
12-01-7906	IC REG -6V 1.5A TO-220 TH	1 U19
12-02-1088	IC REG ADJ TO-220 TH	1 U13
12-02-7805	IC REG +5V 1.5 AMP TH	1 U10
12-54-0072	IC OP AMP DUAL TL072 SM	1 U15
12-54-0074	IC OP AMP TL074 SM	3 U5,U8,U9
12-64-4272	IC STEREO AUDIO CODEC 24 BIT 192 Khz CS4272 SM	1 U4
15-52-0541	IC 74LVC541A LOW VOLT OCTAL BU FFER/DRIVER SOIC-20 SM	1 U18
15-65-0004	IC 74LVC04 LOW VOLTAGE HEX INV ERTER SO-14 SM	1 U17
15-68-2374	IC PWM DC/DC CONVERTER DMP8 SM	1 U1
15-70-0005	IC SDRAM 3.3V 64MB 1M x 16 x 4 EM638165TS-7G TSOP-54 SM	1 U3
15-86-2375	IC DSP SHARC PROCESSOR 32 BIT ADSP-21375 LQFP208EP SM	1 U7
15-92-5811	IC RESET PUSH PULL OUTPUT 3.3V ACTIVE LOW SOT-23 SM	1 U14
15-98-0000	IC POT DIGITAL NON-VOL DUAL 10K SPI 2.7-5.5V 7BIT 129 14TSSOP SM	1 R109
21-00-6616	JACK 1/4" TRS PCB MOUNT 6 PIN HORIZONTAL TH	1 J2
21-12-0035	JACK 3.5MM STEREO 5 PIN CRIMPE D LEADS NON-THREADED	1 J3
21-16-0045	JACK RJ-45 MOD 8/8 RT/A FEMALE PCB 50AU	1 J1
21-20-0206	HDR SIL PCB-MT 6 PIN x 2MM MALE SHRD VERT MT TH	1 H3
21-20-0210	HDR SIL PCB-MT 10 PIN x 2MM MALE SHRD VERT MNT TH	1 H4
21-21-0040	HDR DIL PCB-MT 40 PIN 2 x 20 x .100 MALE SHRD VERT MNT TH	1 H1
30-00-0043	SCREW 6-32 X 5/16 LG WITH LOCK WASHER PHIL PAN ZINC-PLATED STEEL	1
30-12-2210	STANDOFF HEX .250 6-32 F-F .500 LG AL	1
30-18-3030	CLIP GROUND PCB .30 x .30 x .07	3 GF1,GF2,GF3
50-02-0332	PCBA MAIN SPIDER IV A21	1
45-01-0042	IC PROGRAMMED MCU SPIDER IV A21-3 A21-4 A21-5 A21-7	1 U12
15-84-2132	IC MCU 16/32BIT ARM7TDMI w/ 64KB FLASH 16K SRAM LQFP64 SM	1 (U12)
45-02-0056	IC PROGRAMMED FLASH A21-3/A21-4/A21-5/A21-7	1 U16
15-78-2532	IC FLASH 32Mbit SPI SERIAL SOIC-8 200mil SM	1

50-02-0333		PCBA UI SPIDER IV A21	1
Part Number	Description	Qty	Refdes
50-02-0333	PCBA UI SPIDER IV A21	1	
01-24-1000	RES 100R 1% 0805	6	R702,R704,R708,R710,R716,R720
01-24-1002	RES 10.0K 1% 0805	1	R1
01-24-1501	RES 1.50K 1% 0805	1	R2
01-24-40R2	RES 40.2R 1% 0805	4	R701,R703,R713,R717
01-24-4751	RES 4.75K 1% 0805	4	R709,R712,R719,R724
01-24-4752	RES 47.5K 1% 0805	1	R3
01-48-6103	POT MONO 10KB LINEAR TAPER 25MM W/9MM NUT D-SHAFT	11	R700,R705,R706,R707,R711,R714,R715,R718,R721,R722,R723
03-52-0104	CAP X7R 0.1uF 50V 10% 0805	1	C1
03-58-0104	CAP X7R 0.1uF 25V 10% 0603	4	C713,C718,C737,C738
03-80-0107	CAP ELEC 100uF 10V 20% SM 6.3/5.4/7.8	1	C700
06-34-0016	DIODE SWITCHING 75V 200mA 6NS SOT-23 SM	4	C710,C720,C725,C726
09-06-7002	TRANS MOSFET N-CHAN 60V 7R5 SOT-23 SM	1	Q1
09-10-0092	TRANS PNP HI VOLTAGE SOT-23 SM	1	Q2
12-62-4052	IC SWITCH ANALOG 4052 SO-16 SM	2	U700,U701
18-02-0003	LED YELLOW SUPER BRIGHT T-1 3M M DIFFUSED TH	7	D708,D709,D711,D713,D716,D722,D727
18-06-0003	LED RED/GRN CYLINDRICAL T-1 3M M 3-PIN COM-CATH 627/565nm TH	17	D700-D707,D712,D714,D715,D717,D718,D719,D721,D723,D724
21-18-0002	TERMINAL SCREW PCB MOUNT RIGHT ANGLE SNAP-IN 6-32 THREAD	6	BR700,BR701,BR702,BR703,BR704,BR705
21-21-0040	HDR DIL PCB-MT 40 PIN 2 x 20 x .100 MALE SHRD VERT MNT TH	1	H702
21-30-0012	CBL SIL 10 PIN 26AWG 2.54MM x 40MM 5/T	1	
24-12-0010	ENCODER 20 STEP w/SWITCH 20MM D-SHAFT METAL V-MNT PCB	1	E700
24-31-1105	SWITCH TACT 6MM SQ.4 PIN TH	11	SW700,SW701,SW702,SW703,SW704,SW705,SW706,SW707,SW708,SW709,SW710
30-15-0035-3	SPACER LED 4.5MM DIA X 1.5MM NYLON KANG YANG LEDH-1.5	17	
30-27-0218	BUTTON 4 WAY BOTTOM .8 DIA x 0.5 HT ABS	1	
30-27-0221	4-WAY SW PIVOT PIN .37 x .200 DIA NYLON 6/6 WHITE	1	
30-27-0353	BUTTON PLASTIC CLEAR W/CHROME TOP A21	7	
30-27-0363	BUTTON 4 WAY TOP .8 DIA X .4 H T ABS	1	
30-27-0364	FRAME 4-WAY 1.04 DIA X 0.7 ABS A15 A21 A23	1	
30-63-0028	FOAM RING 4-WAY SW RET PU .75 OD x .40 ID x .18 HT BLK	1	
35-00-0333	PCB UI SPIDER IV A21-3/4/5/7	1	
35-00-0333-1	PCB 4-WAY SW/LCD BREAK-AWAY SPIDER IV A21-3/4/5/7	1	
50-02-0334		PCBA POWER AMP 120W - 150W SPIDER IV A21-4 A21-5 A21-7	1
Part Number	Description	Qty	Refdes
01-00-0103	RES 10K 5% 0805	2	R14,R15
01-12-0000	RES CARBON FILM OR 1/4W 5% TH	1	JP1
01-22-02R2	RES METAL OXIDE 2.2R 2W 5% TH	2	R5,R6
01-22-0R47	RES METAL OXIDE 0.47R 2W 5% TH	4	R3,R4,R7,R8
01-24-1693	RES 169K 1% 0805	2	R1,R9
01-60-0203	RES NETWORK ISOLATED 20K 16P 8R .3W 2% CER SOP-16 SM	2	R2,R10
03-18-0336	CAP ELEC 33uF 50V 20% RADIAL 5/11/5	2	C6,C16
03-18-1106	CAP ELEC 10uF 50V 20% BI-POLAR RADIAL 6.3/11.2/5	2	C2,C12
03-22-0476	CAP ELEC 47uF 100V 20% RADIAL 10/15/5	2	C8,C10
03-24-1104	CAP MET POLY 0.1uF 100VDC 5% TH 4.5/7.5/7/5	2	C7,C9
03-52-0470	CAP X7R 47pF 50V 10% 0805	2	C3,C13
03-52-0680	CAP X7R 68pF 50V 10% 0805	2	C1,C11
03-52-1103	CAP X7R 10nF 100V 10% 0805	4	C4,C5,C14,C15
06-22-0001	DIODE ULTRAFast 200V 2A 15ns SMA	4	D5,D7,D8,D10
12-30-7293	IC POWER AMP 100W TDA7293 TO-220/15 TH	2	U1,U2
21-21-0012	HDR DIL PCB-MT 12 PIN 2 x 6 x 2MM MALE SHRD VERT JST TH	1	J1B
35-00-0334	PCB POWER AMP 120W - 150W SPIDER IV A21-4/5/7	1	
50-02-0336	PCBA SUPPLY 75W - 150W SPIDER IV A21-3/4/5/7	1	
01-12-0473	RES CARBON FILM 47K 1/4W 5% TH	1	R12
03-00-0104	CAP CER DISC 0.1uF 50V 20% TH	2	C27,C28
03-12-0478	CAP ELEC 4700uF 16V 20% RADIAL	1	C4
03-12-0108	CAP ELEC 1000uF 16V 20% RADIAL 10/16/5	1	C3
03-18-0478	CAP ELEC 4700uF 50V 20% RADIAL 25/40/10 OR 22/35/10	2	C18,C19
03-41-0224	CAP X-CAP 0.22uF 275VAC 20% POLYPROPYLENE 18/9.5/17.5/15	1	C17
03-75-0102	CAP Y-CAP 1nF 250VAC 20% TH CER DISC 7D/7/7.5	2	C22,C23
06-16-0008	DIODE BRIDGE RECTIFIER 600V 8A 4 PIN SIL TH	1	D1
06-32-4006	DIODE RECTIFIER 800V 1A SMA SM	2	D2,D6
11-10-2020	CHOKE WIDE BAND 1-5 TURNS	2	L1,L2
21-20-0210	HDR SIL PCB-MT 10 PIN x 2MM MA LE SHRD VERT MNT TH	1	H1
21-20-1564	HDR SIL PCB-MT 4 PIN x .156 MA LE VERT MNT FRIC LOCK	1	H6
21-20-1565	HDR SIL PCB-MT 5 PIN x .156 MA LE VERT MNT FRIC LOCK	1	H4
21-20-3122	HDR SIL PCB-MT 2 PIN x 7.92MM MALE VERT MNT FRIC LOCK	1	H5
21-20-3123	HDR SIL PCB-MT 3 PIN x 7.92MM MALE VERT MNT FRIC LOCK	2	H2,H3
21-21-0012	HDR DIL PCB-MT 12 PIN 2 x 6 x 2MM MALE SHRD VERT JST TH	1	J1A
50-02-0334	PCBA POWER AMP 120W - 150W SPIDER IV A21-4 A21-5 A21-7	1	

99-010-3605 Spider IV 212 150			
Part Number	Description	Qty	Refdes
21-37-1160	CBL PWR UL/CSA SJT 8.2FT BLK E L-302 w/GND EL70	1	
40-00-0186	ADDENDUM USER SPIDER IV SERIES A21-3 A21-4 A21-5 A21-7	1	
40-00-0237	INSERT SPIDER IV SHARC COLLATERALS A21	1	
40-00-1000	CARD WARRANTY LINE 6	1	
40-01-0016	CARD LICENSE-AGREEMNT END-USER ALL-PRODUCTS	1	
40-03-2000	CARD REGISTRATION US	1	
40-03-2000-1	CARD REGISTRATION EUROPE	1	
40-10-0259	CARTON GIFT SPIDER IV-150 A21-5	1	
40-15-0022	SILICA GEL PACK 3.0" x 3.5"	3	
40-15-0023	ANTISEPTIC PACK (5g/package)	1	
40-15-0040	PACKAGING FOAM CORNER BOTTOM 6.5" 5.6" 6.5" A21	8	
40-15-0050	INSERT CARDBOARD SHIPPING CARTON 14.5" 31"	2	
40-20-0011	BAG PLASTIC 10 x 16 2 mil	1	
40-20-0014	BAG PLASTIC SPIDER 212 900MM 750MM .1MM	1	
40-25-0020	LABEL INSPECTION QUALITY	1	
40-25-0024	STICKER ART SEAL EULA	1	
40-25-0100	LABEL BAR CODE SERIAL NUMBER 4-PANEL LABEL	1	
59-00-0049-1	ASSY UNIT COMPLETE SPIDER IV- 150 212 100V/120V A21-5	1	
59-00-0049-1	ASSY UNIT COMPLETE SPIDER IV- 150 212 100V/120V A21-5		
Part Number	Description	Qty	Refdes
11-20-1003	SPEAKER 12" 8 OHM CELESTION T5648A	2	
30-00-0015	SCREW 10-24 UNC x 1.000" TRUSS-HD BLACK-OXIDE	8	
30-00-0122	SCREW 10-24 x 0.7 OVH PHILLIPS NI PLD / CRM	4	
30-00-0158	SCREW 10-32 x 1.25 OVAL PH w/ PILOT TIP	6	
30-00-8112	SCREW WOOD #8 x 1 1/2" OVAL PH H STL BLK OXIDE	10	
30-03-0035	WASHER #10 SPLIT LK WASH ZINC	8	
30-03-0112	WASHER FINISHING #10 FLANGED STL BLK OXIDE	16	
30-03-1010	WASHER #10 FLAT .20-.25 ID, .45-.55 OD, .04-.05 THK ZINC	8	
30-63-0030-9	FOAM W/ADHESIVE 1 SIDE 2.4" X .25" X .15" A21	2	
30-63-0600-2	FOAM W/ADHESIVE 5.0" X 0.25" X 0.06" VOLARAPOLELEFIN	1	
40-25-0134	STICKER SPEAKER-GRILL PROMO SPIDER IV-150 A21-5	1	
40-25-0136	LABEL CLING DEMO SPIDER IV A21	1	
40-25-0168	LABEL ETL SUGA 2"X 1" INTERTEK CHINA	1	
50-03-0062	ASSY CABINET SPIDER IV-150 212 A21-5	1	
50-03-0062	ASSY CABINET SPIDER IV-150 212 A21-5		
Part Number	Description	Qty	Refdes
30-00-0151	SCREW 10-24 x .75 PAN HD PHIL ZINC	4	
30-00-0156	SCREW WOOD #6 x 1/2" OVAL HD PH BLK OXIDE	2	
30-00-0676	SCREW WOOD NO.6 x 3/4" PHIL OVAL HD BLK	2	
30-00-0812	SCREW w/WAX 8 x 3/4 PTB	16	
30-00-0858	SCREW #8 x 5/8IN PHIL-TRUSS BLACK w/WAX	4	
30-00-8112	SCREW WOOD #8 x 1 1/2" OVAL PH H STL BLK OXIDE	10	
30-06-1024	NUT-T 10-24 X 5/16 STEEL	12	
30-27-0351-1	CORNER FRONT RT 4.0 X 3.6 X .90 BLK PLASTIC A21	1	
30-27-0351-2	CORNER FRONT LEFT 4.0 X 3.6 X .90 BLK PLASTIC A21	1	
30-27-0352	CORNER SMALL 1.3 X 1.3 X 1.3 PLASTIC A21	6	
30-36-0005	COVER VINYL TEXTURED BLACK SEMI GLOSS	1	
30-39-0005	GRILL CLOTH TAN/BROWN/BLACK BASKET WEAVE	1	
30-39-0026	VIBRATION DAMPENER 5.8 IN 2.25 IN .10 IN	2	
30-51-0364	TONE BAR 26.5 X 1.5 ELEC GALV STL 212 A21-5	1	
30-57-0008	HANDLE ASSY CABINET A21	1	
30-60-0012	LOGO FRAME LINE 6 212 HD150 HI IMPACT ABS A21-5 A21-7	1	
40-25-0083	STICKER CARB WOOD CABINET	1	
50-04-0074-1	ASSY E/M CHASSIS SPIDER IV-150 100V/120V A21-5	1	

50-04-0074-1 ASSY E/M CHASSIS SPIDER IV-150 100V/120V A21-5			
Part Number	Description	Qty	Refdes
11-30-0036	XFMR 100/120VAC 34Vx2/9V 86MM SPIDER4 - 210/212/HD (A21)	1	
21-34-0020-2	CBL SIL 4 PIN .156 x 15"	1	
21-34-0087-2	CBL ASSY 10 COND 26AWG F/F X 6 .0" WHITE	1	
21-34-0090-1	CBL ASSY RIBBON 40 POS 28AWG 2 0 X 2 F/F X 5"	1	
21-34-0111	CBL ASSY 6 COND 26AWG F/F X 6	1	
21-34-0120-1	CBL DIL 12 COND 26AWG 2MM F-F JST 4.5"	1	
21-34-0122-1	CBL SIL 18AWG 3PIN 2 COND .256 7.5"/10" .187-F FLAG/.187-RCPT	1	
21-34-1015	CBL FSTN .187-RCPT/.250-F FLAG 1-COND 161.34MM STRND 18AWG BK	1	
21-34-1024-1	CBL FSTN .187-RCPT/.187-F FLAG 1-COND 11.5 IN STRND 18AWG BLK	1	
24-19-4025	FUSE 4A 125V 5MM x 20MM TIME LAG	1	
24-24-0607	SWITCH POWER ROCKER 6A/250V 10 A/120V w/O OFF CAP PRINT	1	
30-00-0043	SCREW 6-32 X 5/16 LG WITH LOCK WASHER PHIL PAN ZINC-PLATED STEEL	8	
30-00-0150	SCREW 4-40 x .3125 w/LK WASH PAN HD PHIL ZINC	10	
30-00-0181	SCREW 6-32 UNC x 0.375" PAN-HD BLK SELF-TAP	4	
30-06-0832	NUT .335 HEX 8-32 STL ZINC W/ TOOTH WASHER	4	
30-15-0004	SPACER .13 THICK x .630D NYLON	1	
30-24-0003	CABLE TIE 4" CLEAR	3	
30-27-0218	BUTTON 4 WAY BOTTOM .8 DIA x 0.5 HT ABS	1	
30-27-0221	4-WAY SW PIVOT PIN .37 x .200 DIA NYLON 6/6 WHITE	1	
30-27-0363	BUTTON 4 WAY TOP .8 DIA X .4 H T ABS	1	
30-27-0364	FRAME 4-WAY 1.04 DIA X 0.7 ABS A15 A21 A23	1	
30-42-0026-3	OVERLAY UI 25.1" X 2.3" X.040" CLEAR PC A21-5 A21-7 (212/HD)	1	
41-00-0220	ARTWORK SILKSCREEN FRONT PANEL SPIDER4-150 A21-5/7	1	
30-45-0023	KNOB 0.77" DIA X 0.71" HT PLAS TIC CHROME PLATED A21	11	
30-45-0027	KNOB ENCODER .55 DIA X .50 HT ABS BLK A21 A23	1	
30-51-0365-3	CHASSIS 25.1 X 3.6 X 6.6 STEEL 0.040 THK A21-5 A21-7	1	
41-00-0217	ARTWORK SILKSCREEN CHASSIS REAR SPIDER IV-150 A21-5/7	1	
30-51-0367	HEATSINK 8.0" X 3.5" ALUMINUM ALLOY BLACK ANODIZE A21-4/5/7	1	
30-51-0386	CLIP IC SNAP .5" X 1.2" STEEL A21-4 -5 -7	2	
30-63-0006	PAD THERMAL 6MIL 25MM x 30MM w/ADHESIVE 4KVAC VTM-O	2	
30-63-0010	FOAM w/ADHSV 26.5x 1/4x 1/16" VOLARAPOLEFIN	2	
30-63-0028	FOAM RING 4-WAY SW RET PU .75 OD x .40 ID x .18 HT BLK	1	
30-63-0030-6	FOAM W/ADHESIVE 1 SIDE 25.1" X .25" X .15" A21-5 A21-7	1	
30-63-0050	HEAT SHRINK TUBING VFP-876 2.5MM DIA X 4.7MM LONG	17	
30-63-0600-4	FOAM W/ADHESIVE 0.6" X 0.25" X 0.06" VOLARAPOLEFIN	1	
30-75-9600	GROMMET RUBBER 7/16-D x 1/16 GRV x 3/4" GRV-DIA BLACK	1	
50-00-0001	ASSY RECEPTACLE-A/C W/GND WIRE SNAP-IN	1	
50-00-0001 ASSY RECEPTACLE-A/C W/GND WIRE SNAP-IN			
Part Number	Description	Qty	Refdes
21-14-0002	JACK IEC w/FUSE MALE 3 PIN PAN EL MOUNT SNAP IN VERT	1	
21-34-1116	CBL EARTHING w/EYELET 16AWG 5" GREEN w/YELLOW STRIPE	1	
50-02-0071 PCBA GUITAR INPUT SPIDER IV A21			
Part Number	Description	Qty	Refdes
01-24-1001	RES 1.00K 1% 0805	2	R40,R41
01-24-1004	RES 1.00M 1% 0805	1	R45
01-24-1502	RES 15.0K 1% 0805	1	R46
03-52-0470	CAP X7R 47pF 50V 10% 0805	1	C45
03-52-0473	CAP X7R 47nF 50V 10% 0805	2	C43,C51
06-34-0031	DIODE GEN PUR DUAL 120V 600mA 50ns SOT-23 SM	1	D5
12-54-0072	IC OP AMP DUAL TL072 SM	1	U14
21-00-6617	JACK 1/4" TRS PCB MOUNT 6 PIN HORIZONTAL W/CHROME HRDWARE TH	1	J5
21-20-0206	HDR SIL PCB-MT 6 PIN x 2MM MAL E SHRDR VERT MT TH	1	H2
30-18-3030	CLIP GROUND PCB .30 x .30 x .07	1	GF1
30-51-0146	SHIELD PCB MT FOR 1/4 JACK 1.00 Hx1.25Wx.013THK BERYL COP	1	SH1
50-02-0071	PCB GUITAR INPUT SPIDER IV A21 REV A	1	
50-02-0083	PCBA DISPLAY LCD 2 X 16 POS CHARACTER 12-O'CLOCK AMBER	1	
18-30-0012	DISPLAY LCD MODULE 2X16 POS CHARACTER 12-O'CLOCK AMBER A21	1	
21-30-0015-7	CBL RIBBON SIL 6 COND 26AWG 2.54MM 5.0" W/SPLIT ENDS S/T	1	
21-30-0015-8	CBL RIBBON SIL 6 COND 26AWG 2.54MM 7.0" W/SPLIT ENDS S/T	1	
30-27-0283	SPRT DUAL LKG CKT BD TEARDROP .156 LG 6/6 NYLON NAT A15	4	

50-02-0332 PCBA MAIN SPIDER IV A21			
Part Number	Description	Qty	Refdes
01-24-0000	RES 0R 1% 0805	1	R5
01-24-1000	RES 100R 1% 0805	1	R40
01-24-1002	RES 10.0K 1% 0805	6	R10,R11,R15,R16,R86,R87
01-24-1071	RES 1.07K 1% 0805	1	R1
01-24-10R0	RES 10.0R 1% 0805	2	R69,R75
01-24-1101	RES 1.10K 1% 0805	4	R48,R110,R113,R114
01-24-1402	RES 14.0K 1% 0805	1	R132
01-24-1581	RES 1.58K 1% 0805	4	R111,R112,R115,R116
01-24-15R0	RES 15R 1% 0805	2	R81,R90
01-24-1781	RES 1.78K 1% 0805	1	R2
01-24-2001	RES 2.00K 1% 0805	8	R122,R129
01-24-2051	RES 2.05K 1% 0805	4	R9,R12,R14,R17
01-24-22R1	RES 22.1R 1% 0805	2	R59,R60
01-24-2491	RES 2.49K 1% 0805	2	R130,R131
01-24-30R1	RES 30.1R 1% 0805	1	R18
01-24-4751	RES 4.75K 1% 0805	2	R33,R36
01-24-47R5	RES 47.5R 1% 0805	8	R21,R22,R23,R24,R34,R35,R37,R38
01-24-51R1	RES 51.1R 1% 0805	2	R25,R30
01-24-5360	RES 536R 1% 0805	1	R42
01-24-5R11	RES 5.11R 1% 0805	2	R54,R55
01-24-6981	RES 6.98K 1% 0805	4	R64,R66,R71,R74
01-24-90R9	RES 90.9R 1% 0805	2	R3,R4
01-25-1000	RES 100R 1% 0603	2	R46,R47
01-25-1002	RES 10.0K 1% 0603	9	R56,R61,R93,R102,R105,R107,R108,R117
01-25-1004	RES 1.00M 1% 0603	3	R8,R44,R45
01-25-10R0	RES 10.0R 1% 0603	1	R57
01-25-20R0	RES 20.0R 1% 0603	1	R6
01-25-3241	RES 3.24K 1% 0603	2	R58,R70
01-25-4751	RES 4.75K 1% 0603	24	R39,R41,R49,R50,R51,R76,R77,R78,R82,R83,R84,R85,R88,R91,R92,R94,R95,R97,R98,R99,R100,R101,R103,R104
01-25-47R5	RES 47.5R 1% 0603	1	R7
01-25-4990	RES 499R 1% 0603	2	R52,R53
03-10-0338	CAP ELEC 3300uF 6.3V 20% RADIAL 10/20/5	1	C119
03-11-2688	CAP ELEC RADIAL LOW-Z 6800UF 6.3V 20% 105C 0.014R 16.0MM 25.0MM 7.5MM TH	1	C2
03-50-0272	CAP NPO 2.7nF 50V 5% 0805	2	C9,C11
03-50-0330	CAP NPO 33pF 50V 5% 0805	1	C20
03-50-0391	CAP NPO 390pF 50V 5% 0805	1	C38
03-50-0472	CAP NPO 4.7nF 25V 5% 0805	4	C159,C160,C165CC166
03-50-0562	CAP NPO 5.6nF 50V 10% 0805	4	C161,C162,C163,C164
03-50-0681	CAP NPO 680pF 50V 5% 0805	4	C17,C21,C70,C85
03-52-0104	CAP X7R 0.1uF 50V 10% 0805	2	C150,C153
03-52-0221	CAP X7R 220pF 50V 10% 0805	2	C13,C16
03-52-0473	CAP X7R 47nF 50V 10% 0805	2	C111,C130
03-56-0101	CAP NPO 100pF 50V 5% 0603	3	C34,C154,C158
03-56-0102	CAP NPO 1nF 50V 5% 0603	2	C172,C174
03-56-0103	CAP NPO 10nF 50V 5% 0603	2	C175,C176
03-56-0180	CAP NPO 18pF 50V 5% 0603	2	C113,C120
03-56-0220	CAP NPO 22pF 50V 5% 0603	2	C14,C15
03-58-0102	CAP X7R 1nF 50V 10% 0603	21	C46,C56,C62,C64,C65,C66,C73,C94,C96,C99,C100,C103,C106,C115,C124,C125,C127,C134,C147,C151,C156
03-58-0103	CAP X7R 10nF 50V 10% 0603	9	C32,C45,C57,C80,C90,C95,C104,C110,C123
03-58-0104	CAP X7R 0.1uF 25V 10% 0603	60	C4,C37,C39,C40,C41,C42,C43,C44,C47,C49,C52,C54,C55,C58,C60,C63,C67,C72,C74,C76,C77,C79,C82,C86,C91,C93,C101,C102,C105,C107,C108,C109,C112,C116,C117CC118,C121,C122,C126,C128,C131,C132,C133,C135,C136,C137,C140,C141,C143,C144,C145,C146,C148,C149,C152,C155,C157,C171,C173,C178
03-80-0107	CAP ELEC 100uF 10V 20% SM 6.3/5.4/7.8	2	C7,C53
03-80-0227	CAP ELEC 220uF 10V 20% SM 8/6.2/9.5	2	C6,C177
03-80-0476	CAP ELEC 47uF 10V 20% SM 5/5.4/6.5	1	C61
03-80-1476	CAP ELEC 47uF 6.3V 20% SM 5.5/4/5.4	2	C26,C92
03-80-1477	CAP ELEC 470uF 6.3V 20% VS SM	1	C3
03-82-0106	CAP ELEC 10uF 16V 20% SM 4/5.4/5.5	8	C1,C5,C8,C10,C12,C71,C139,C142
03-88-0105	CAP ELEC 1uF 50V 20% VS SM	8	C48,C50,C51,C59,C78,C81,C114,C129
03-88-0106	CAP ELEC 10uF 50V 20% VS SM	2	C35,C36

50-02-0332 PCBA MAIN SPIDER IV A21			
Part Number	Description	Qty	Refdes
04-01-0004	INDUCTOR CHOKE 150uH 0.4R 1A 5M SHIELDED	1	L7
06-23-0054	DIODE SCHOTTKY DUAL 30V 200mA 5ns SOT-23 SM	1	D11
06-32-0130	DIODE SCHOTTKY 1A 30V SMB SM	1	D1
06-34-0031	DIODE GEN PUR DUAL 120V 600mA 50ns SOT-23 SM	8	D3,D4,D5,D6,D7,D12,D13,D15
09-06-7002	TRANS MOSFET N-CHAN 60V 7R5 SOT-23 SM	1	Q1
11-00-0012	CRYSTAL 12MHz SM HC49 FOXSDLF	1	X2
11-00-1003	CRYSTAL 24.576MHz HC49S 2PIN SM	1	X1
11-10-0501	FERRITE BEAD 500R @100MHz 2.5A 1206 SM	2	L1,L8
11-10-2012	FERRITE BEAD 600R @ 100MHz 300 mA 0805 SM	8	L2,L3,L4,L5,L6,L9,L10,L12
12-00-0317	IC VREG ADJ 1.2V-37V 1.5 AMP TO-220 LM317 TH	1	U2
12-01-7906	IC REG -6V 1.5A TO-220 TH	1	U19
12-02-1088	IC REG ADJ TO-220 TH	1	U13
12-02-7805	IC REG +5V 1.5 AMP TH	1	U10
12-54-0072	IC OP AMP DUAL TL072 SM	1	U15
12-54-0074	IC OP AMP TL074 SM	3	U5,U8,U9
12-64-4272	IC STEREO AUDIO CODEC 24 BIT 192 Khz CS4272 SM	1	U4
15-52-0541	IC 74LVC541A LOW VOLT OCTAL BU FFER/DRIVER SOIC-20 SM	1	U18
15-65-0004	IC 74LVC04 LOW VOLTAGE HEX INV ERTER SO-14 SM	1	U17
15-68-2374	IC PWM DC/DC CONVERTER DMP8 SM	1	U1
15-70-0005	IC SDRAM 3.3V 64MB 1M x 16 x 4 EM638165TS-7G TSOP-54 SM	1	U3
15-86-2375	IC DSP SHARC PROCESSOR 32 BIT ADSP-21375 LQFP208EP SM	1	U7
15-92-5811	IC RESET PUSH PULL OUTPUT 3.3V ACTIVE LOW SOT-23 SM	1	U14
15-98-0000	IC POT DIGITAL NON-VOL DUAL 10K SPI 2.7-5.5V 7BIT 129 14TSSOP SM	1	R109
21-00-6616	JACK 1/4" TRS PCB MOUNT 6 PIN HORIZONTAL TH	1	J2
21-12-0035	JACK 3.5MM STEREO 5 PIN CRIMPE D LEADS NON-THREADED	1	J3
21-16-0045	JACK RJ-45 MOD 8/8 RT/A FEMALE PCB 50AU	1	J1
21-20-0206	HDR SIL PCB-MT 6 PIN x 2MM MAL E SHRD VERT MT TH	1	H3
21-20-0210	HDR SIL PCB-MT 10 PIN x 2MM MA LE SHRD VERT MNT TH	1	H4
21-21-0040	HDR DIL PCB-MT 40 PIN 2 x 20 x .100 MALE SHRD VERT MNT TH	1	H1
30-00-0043	SCREW 6-32 X 5/16 LG WITH LOCK WASHER PHIL PAN ZINC-PLATED STEEL	1	
30-12-2210	STANDOFF HEX .250 6-32 F-F .500 LG AL	1	
30-18-3030	CLIP GROUND PCB .30 x .30 x .07	3	GF1,GF2,GF3
50-02-0332	PCBA MAIN SPIDER IV A21	1	
45-01-0042	IC PROGRAMMED MCU SPIDER IV A21-3 A21-4 A21-5 A21-7	1	U12
45-02-0056	IC PROGRAMMED FLASH A21-3/A21-4/A21-5/A21-7	1	U16
15-78-2532	IC FLASH 32Mbit SPI SERIAL SOIC-8 200mil SM	1	
50-02-0333 PCBA UI SPIDER IV A21			
Part Number	Description	Qty	Refdes
01-24-1000	RES 100R 1% 0805	6	R702,R704,R708,R710,R716,R720
01-24-1002	RES 10.0K 1% 0805	1	R1
01-24-1501	RES 1.50K 1% 0805	1	R2
01-24-40R2	RES 40.2R 1% 0805	4	R701,R703,R713,R717
01-24-4751	RES 4.75K 1% 0805	4	R709,R712,R719,R724
01-24-4752	RES 47.5K 1% 0805	1	R3
01-48-6103	POT MONO 10K LINEAR TAPER 25MM W/9MM NUT D-SHAFT	11	R700,R705,R706,R707,R711,R714,R715,R718,R721,R722,R723
03-52-0104	CAP X7R 0.1uF 50V 10% 0805	1	C1
03-58-0104	CAP X7R 0.1uF 25V 10% 0603	4	C713,C718,C737,C738
03-80-0107	CAP ELEC 100uF 10V 20% SM 6.3/5.4/7.8	1	C700
06-34-0016	DIODE SWITCHING 75V 200mA 6ns SOT-23 SM	4	C710,C720,C725,C726
09-06-7002	TRANS MOSFET N-CHAN 60V 7R5 SOT-23 SM	1	Q1
09-10-0092	TRANS PNP HI VOLTAGE SOT-23 SM	1	Q2
12-62-4052	IC SWITCH ANALOG 4052 SO-16 SM	2	U700,U701
18-02-0003	LED YELLOW SUPER BRIGHT T-1 3M M DIFFUSED TH	7	D708,D709,D711,D713,D716,D722,D727
18-06-0003	LED RED/GRN CYLINDRICAL T-1 3M M 3-PIN COM-CATH 627/565nm TH	17	D700,D701,D702,D703,D704,D705,D706,D707,D712,D714,D715,D717,D718,D719,D721,D723,D724
21-18-0002	TERMINAL SCREW PCB MOUNT RIGHT ANGLE SNAP-IN 6-32 THREAD	6	BR700,BR701,BR702,BR703,BR704,BR705
21-21-0040	HDR DIL PCB-MT 40 PIN 2 x 20 x .100 MALE SHRD VERT MNT TH	1	H702
21-30-0012	CBL SIL 10 PIN 26AWG 2.54MM x 40MM S/T	1	
24-12-0010	ENCODER 20 STEP w/SWITCH 20MM D-SHAFT METAL V-MNT PCB	1	E700
24-31-1105	SWITCH TACT 6MM SQ 4 PIN TH	11	SW700,SW701,SW702,SW703,SW704,SW705,SW706,SW707,SW708,SW709,SW710
30-15-0035-3	SPACER LED 4.5MM DIA X 1.5MM NYLON KANG YANG LEDH-1.5	17	
30-27-0218	BUTTON 4 WAY BOTTOM .8 DIA x 0.5 HT ABS	1	
30-27-0221	4-WAY SW PIVOT PIN .37 x .200 DIA NYLON 6/6 WHITE	1	
30-27-0353	BUTTON PLASTIC CLEAR W/CHROME TOP A21	7	
30-27-0363	BUTTON 4 WAY TOP .8 DIA X .4 H T ABS	1	
30-27-0364	FRAME 4-WAY 1.04 DIA X 0.7 ABS A15 A21 A23	1	
30-63-0028	FOAM RING 4-WAY SW RET PU .75 OD x .40 ID x .18 HT BLK	1	
50-02-0333	PCBA UI SPIDER IV A21	1	

50-02-0334-1 PCBA POWER AMP 120W - 150W SPIDER IV-150 A21-5			
Part Number	Description	Qty	Refdes
01-00-0103	RES 10K 5% 0805	2	R14,R15
01-12-0000	RES CARBON FILM 0R 1/4W 5% TH	1	JP1
01-22-02R2	RES METAL OXIDE 2.2R 2W 5% TH	2	R5,R6
01-22-0R47	RES METAL OXIDE 0.47R 2W 5% TH	4	R3,R4,R7,R8
01-24-1693	RES 169K 1% 0805	2	R1,R9
01-60-0203	RES NETWORK ISOLATED 20K 16P 8R .3W 2% CER SOP-16 SM	2	R2,R10
03-18-0336	CAP ELEC 33uF 50V 20% RADIAL 5/11/5	2	C6,C16
03-18-1106	CAP ELEC 10uF 50V 20% BI-POLAR RADIAL 6.3/11.2/5	2	C2,C12
03-22-0476	CAP ELEC 47uF 100V 20% RADIAL 10/15/5	2	C8,C10
03-24-1104	CAP MET POLY 0.1uF 100VDC 5% TH 4.5/7.5/7/5	2	C7,C9
03-52-0470	CAP X7R 47pF 50V 10% 0805	2	C3,C13
03-52-0680	CAP X7R 68pF 50V 10% 0805	2	C1,C11
03-52-1103	CAP X7R 10nF 100V 10% 0805	4	C4,C5,C14,C15
06-22-0001	DIODE ULTRAFAST 200V 2A 15ns SMA	4	D5,D7,D8,D10
12-30-7293	IC POWER AMP 100W TDA7293 TO-220/15 TH	2	U1,U2
21-21-0012	HDR DIL PCB-MT 12 PIN 2 x 6 x 2MM MALE SHRD VERT JST TH	1	J1B
21-34-0131-1	CBL ASSY SIL 6 COND 22 AWG BLUE X 6 INCH	1	J2A
50-02-0334-1	PCBA POWER AMP 120W - 150W SPIDER IV-150 A21-5	1	
50-02-0198 PCBA SPEAKER OUT SPIDER IV A21-5 A21-7			
Part Number	Description	Qty	Refdes
03-00-0104	CAP CER DISC 0.1uF 50V 20% TH	2	C601,C602
03-00-0680	CAP CER DISC 68pF 50V 20% TH	2	C600,C603
21-00-6616	JACK 1/4" TRS PCB MOUNT 6 PIN HORIZONTAL TH	2	J600,J601
21-20-1564	HDR SIL PCB-MT 4 PIN x .156 MA LE VERT MNT FRIC LOCK	1	H600
21-20-0036	HEADER 6 PIN 2.5MM MALE SHROUDED KEVED VERTICLE TH	1	J602
30-18-3030	CLIP GROUND PCB .30 x .30 x .07	2	GF600,GF601
50-02-0198	PCBA SPEAKER OUT SPIDER IV A21-5 A21-7	1	
50-02-0336 PCBA SUPPLY 75W - 150W SPIDER IV A21-3/4/5/7			
Part Number	Description	Qty	Refdes
01-12-0473	RES CARBON FILM 47K 1/4W 5% TH	1	R12
03-00-0104	CAP CER DISC 0.1uF 50V 20% TH	2	C27,C28
03-12-0478	CAP ELEC 4700uF 16V 20% RADIAL	1	C4
03-12-0108	CAP ELEC 1000uF 16V 20% RADIAL 10/16/5	1	C3
03-18-0478	CAP ELEC 4700uF 50V 20% RADIAL 25/40/10 OR 22/35/10	2	C18,C19
03-41-0224	CAP X-CAP 0.22uF 275VAC 20% POLYPROPYLENE 18/9.5/17.5/15	1	C17
03-75-0102	CAP Y-CAP 1nF 250VAC 20% TH CER DISC 7D/7/7.5	2	C22,C23
06-16-0008	DIODE BRIDGE RECTIFIER 600V 8A 4 PIN SIL TH	1	D1
06-32-4006	DIODE RECTIFIER 800V 1A SMA SM	2	D2,D6
11-10-2020	CHOKE WIDE BAND 1-5 TURNS	2	L1,L2
21-20-0210	HDR SIL PCB-MT 10 PIN x 2MM MA LE SHRD VERT MNT TH	1	H1
21-20-1564	HDR SIL PCB-MT 4 PIN x .156 MA LE VERT MNT FRIC LOCK	1	H6
21-20-1565	HDR SIL PCB-MT 5 PIN x .156 MA LE VERT MNT FRIC LOCK	1	H4
21-20-3122	HDR SIL PCB-MT 2 PIN x 7.92MM MALE VERT MNT FRIC LOCK	1	H5
21-20-3123	HDR SIL PCB-MT 3 PIN x 7.92MM MALE VERT MNT FRIC LOCK	2	H2,H3
21-21-0012	HDR DIL PCB-MT 12 PIN 2 x 6 x 2MM MALE SHRD VERT JST TH	1	J1A
50-02-0336	PCBA SUPPLY 75W - 150W SPIDER IV A21-3/4/5/7	1	

99-020-1515 - A21-7 AMP SPIDER IV HD150 US 120V

Part Number	Description	Qty	Refdes
21-37-1160	CBL PWR UL/CSA SJT 8.2FT BLK E L-302 w/GND EL70	1	
40-00-0186	ADDENDUM USER SPIDER IV SERIES A21-3 A21-4 A21-5 A21-7	1	
40-00-0237	INSERT SPIDER IV SHARC COLLATERALS A21	1	
40-00-1000	CARD WARRANTY LINE 6	1	
40-01-0016	CARD LICENSE-AGREEMNT END-USER ALL-PRODUCTS	1	
40-03-0031	CARD REGISTRATION UK	1	
40-03-2000	CARD REGISTRATION US	1	
40-03-2000-1	CARD REGISTRATION EUROPE	1	
40-10-0260	CARTON GIFT SPIDER IV-HD150 A21-7	1	
40-15-0022	SILICA GEL PACK 3.0" x 3.5"	3	
40-15-0023	ANTISEPTIC PACK (5g/package)	1	
40-15-0040	PACKAGING FOAM CORNER BOTTOM 6.5" 5.6" 6.5" A21	8	
40-15-0050	INSERT CARDBOARD SHIPPING CARTON 14.5" 31"	2	
40-20-0010-3	POLYBAG 10PE 1090MM x 700MM	1	
40-20-0011	BAG PLASTIC 10 x 16 2 mil	1	
40-25-0020	LABEL INSPECTION QUALITY	1	
40-25-0024	STICKER ART SEAL EULA	1	
40-25-0100	LABEL BAR CODE SERIAL NUMBER 4-PANEL LABEL	1	
59-00-0052-1	ASSY UNIT COMPLETE SPIDER IV- HD150 100V/120V A21-7	1	
59-00-0052-1	ASSY UNIT COMPLETE SPIDER IV- HD150 100V/120V A21-7	1	
Part Number	Description	Qty	Refdes
30-00-0158	SCREW 10-32 x 1.25 OVAL PH w/ PILOT TIP	6	
30-03-0112	WASHER FINISHING #10 FLANGED STL BLK OXIDE	6	
30-63-0030-9	FOAM W/ADHESIVE 1 SIDE 2.4" X .25" X .15" A21	2	
30-63-0600-2	FOAM W/ADHESIVE 5.0" X 0.25" X 0.06" VOLARAPOLELEFIN	1	
40-25-0135	STICKER SPEAKER-GRILL PROMO SPIDER IV-HD150 A21-7	1	
40-25-0136	LABEL CLING DEMO SPIDER IV A21	1	
40-25-0168	LABEL ETL SUGA 2"X 1" INTERTEK CHINA	1	
50-03-0065	ASSY CABINET SPIDER IV-HD150 A21-7	1	
30-00-0151	SCREW 10-24 x .75 PAN HD PHIL ZINC	4	
30-00-0676	SCREW WOOD NO.6 x 3/4" PHIL OVAL HD BLK	2	
30-00-0812	SCREW w/WAX 8 x 3/4 PTB	16	
30-00-6839	SCREW WOOD 10-12 x 7/8" PPZ	4	
30-00-8112	SCREW WOOD #8 x 1 1/2" OVAL PH H STL BLK OXIDE	9	
30-06-1024	NUT-T 10-24 X 5/16 STEEL	4	
30-27-0351-1	CORNER FRONT RT 4.0 X 3.6 X .90 BLK PLASTIC A21	1	
30-27-0351-2	CORNER FRONT LEFT 4.0 X 3.6 X .90 BLK PLASTIC A21	1	
30-27-0352	CORNER SMALL 1.3 X 1.3 X 1.3 PLASTIC A21	6	
30-36-0005	COVER VINYL TEXTURED BLACK SEMI GLOSS	1	
30-39-0005	GRILL CLOTH TAN/BROWN/BLACK BASKET WEAVE	1	
30-39-0026	VIBRATION DAMPENER 5.8 IN 2.25 IN .10 IN	2	
30-57-0008	HANDLE ASSY CABINET A21	1	
30-60-0012	LOGO FRAME LINE 6 212 HD150 HI IMPACT ABS A21-5 A21-7	1	
30-75-0008	RUBBER FOOT 1.50" I.D. X .75"H BLACK	4	
30-00-0156	SCREW WOOD #6 x 1/2" OVAL HD PH BLK OXIDE	2	
40-25-0083	STICKER CARB WOOD CABINET	1	
50-04-0075-1	ASSY E/M CHASSIS SPIDER IV- HD150 100V/120V A21-7	1	

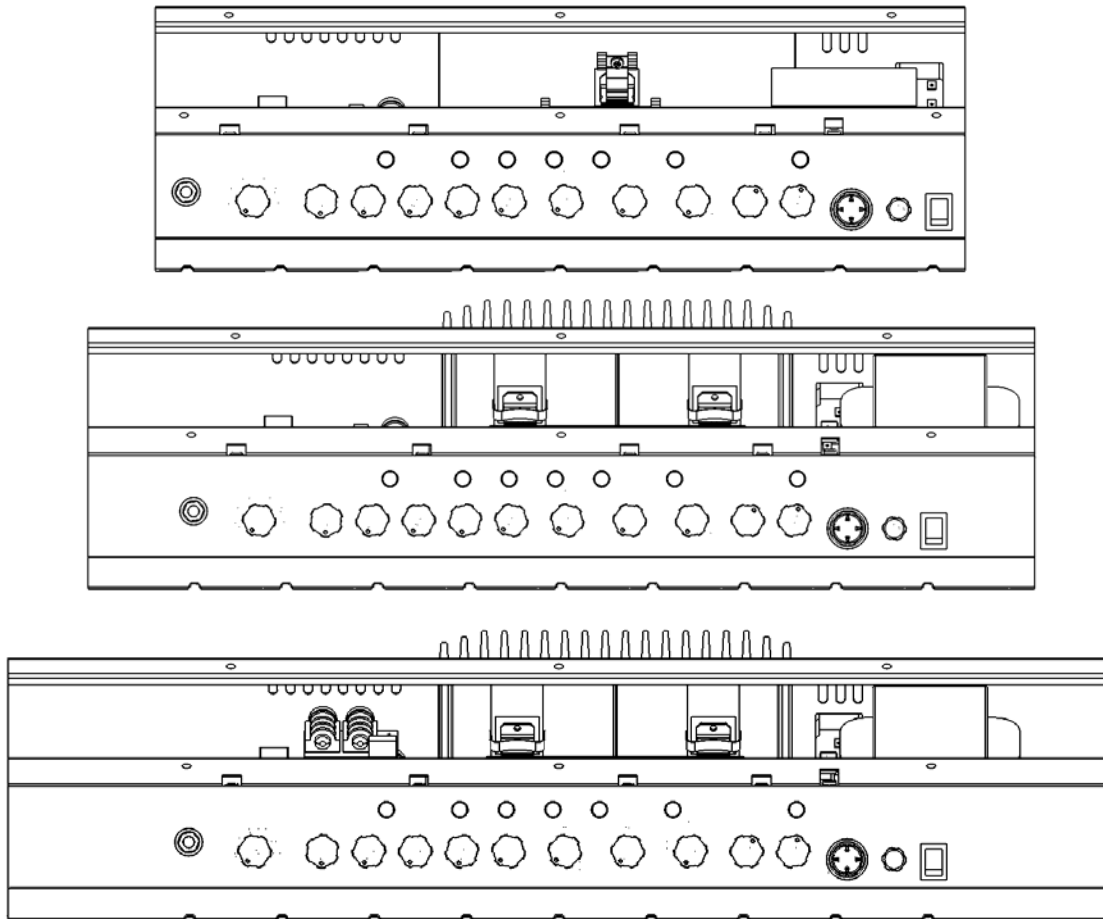
50-04-0075-1 ASSY E/M CHASSIS SPIDER IV- HD150 100V/120V A21-7			
Part Number	Description	Qty	Refdes
		1	
11-30-0036	XFMR 100/120VAC 34Vx2/9V 86MM SPIDER4 - 210/212/HD (A21)	1	
21-34-0087-2	CBL ASSY 10 COND 26AWG F/F X 6 .0" WHITE	1	
21-34-0090-1	CBL ASSY RIBBON 40 POS 28AWG 2 0 X 2 F/F X 5"	1	
21-34-0111	CBL ASSY 6 COND 26AWG F/F X 6	1	
21-34-0120-1	CBL DIL 12 COND 26AWG 2MM F-F JST 4.5"	1	
21-34-0122-1	CBL SIL 18AWG 3PIN 2 COND .256 7.5"/10" .187-F FLAG/.187-RCPT	1	
21-34-1015	CBL FSTN .187-RCPT/.250-F FLAG 1-COND 161.34MM STRND 18AWG BK	1	
21-34-1024-1	CBL FSTN .187-RCPT/.187-F FLAG 1-COND 11.5 IN STRND 18AWG BLK	1	
24-19-4025	FUSE 4A 125V 5MM x 20MM TIME L AG	1	
24-24-0607	SWITCH POWER ROCKER 6A/250V 10 A/120V w/O OFF CAP PRINT	1	
30-00-0043	SCREW 6-32 X 5/16 LG WITH LOCK WASHER PHIL PAN ZINC-PLATED STEEL	8	
30-00-0150	SCREW 4-40 x .3125 w/LK WASH PAN HD PHIL ZINC	10	
30-00-0181	SCREW 6-32 UNC x 0.375" PAN-HD BLK SELF-TAP	4	
30-06-0832	NUT .335 HEX 8-32 STL ZINC W/ TOOTH WASHER	4	
30-15-0004	SPACER .13 THICK x .630D NYLON	1	
30-24-0003	CABLE TIE 4" CLEAR	3	
30-27-0218	BUTTON 4 WAY BOTTOM .8 DIA x 0.5 HT ABS	1	
30-27-0221	4-WAY SW PIVOT PIN .37 x .200 DIA NYLON 6/6 WHITE	1	
30-27-0363	BUTTON 4 WAY TOP .8 DIA X .4 H T ABS	1	
30-27-0364	FRAME 4-WAY 1.04 DIA X 0.7 ABS A15 A21 A23	1	
30-42-0026-3	OVERLAY UI 25.1" X 2.3" X.040" CLEAR PC A21-5 A21-7 (212/HD)	1	
41-00-0220	ARTWORK SILKSCREEN FRONT PANEL SPIDER4-150 A21-5/7	1	
30-45-0023	KNOB 0.77" DIA X 0.71" HT PLAS TIC CHROME PLATED A21	11	
30-45-0027	KNOB ENCODER .55 DIA X .50 HT ABS BLK A21 A23	1	
30-51-0365-4	CHASSIS 25.1 X 3.6 X 6.6 STEEL 0.040 THK A21-7	1	
41-00-1043	ARTWORK SILKSCREEN CHASSIS REAR SPIDER IV-HD150 A21-7	1	
30-51-0367	HEATSINK 8.0" X 3.5" ALUMINUM ALLOY BLACK ANODIZE A21-4/5/7	1	
30-51-0386	CLIP IC SNAP .5" X 1.2" STEEL A21-4 -5 -7	2	
30-63-0006	PAD THERMAL 6MIL 25MM x 30MM w/ADHESIVE 4KVAC VTM-O	2	
30-63-0010	FOAM w/ADHSV 26.5x 1/4x 1/16" VOLARAPOLELEFIN	2	
30-63-0028	FOAM RING 4-WAY SW RET PU .75 OD x .40 ID x .18 HT BLK	1	
30-63-0030-6	FOAM W/ADHESIVE 1 SIDE 25.1" X .25" X .15" A21-5 A21-7	1	
30-63-0050	HEAT SHRINK TUBING VFP-876 2.5MM DIA X 4.7MM LONG	17	
30-63-0600-4	FOAM W/ADHESIVE 0.6" X 0.25" X 0.06" VOLARAPOLELEFIN	1	
50-00-0001 ASSY RECEPTACLE-A/C W/GND WIRE SNAP-IN			
		1	
Part Number	Description	Qty	Refdes
21-14-0002	JACK IEC w/FUSE MALE 3 PIN PAN EL MOUNT SNAP IN VERT	1	
21-34-1116	CBL EARTHING w/EYELET 16AWG 5" GREEN w/YELLOW STRIPE	1	
50-02-0071 PCBA GUITAR INPUT SPIDER IV A21			
		1	
Part Number	Description	Qty	Refdes
01-24-1001	RES 1.00K 1% 0805	2	R40,R41
01-24-1004	RES 1.00M 1% 0805	1	R45
01-24-1502	RES 15.0K 1% 0805	1	R46
03-52-0470	CAP X7R 47pF 50V 10% 0805	1	C45
03-52-0473	CAP X7R 47nF 50V 10% 0805	2	C43,C51
06-34-0031	DIODE GEN PUR DUAL 120V 600mA 50nS SOT-23 SM	1	D5
12-54-0072	IC OP AMP DUAL TL072 SM	1	U14
21-00-6617	JACK 1/4" TRS PCB MOUNT 6 PIN HORIZONTAL W/CHROME HRDWARE TH	1	J5
21-20-0206	HDR SIL PCB-MT 6 PIN x 2MM MALE SHRD VERT MT TH	1	H2
30-18-3030	CLIP GROUND PCB .30 x .30 x .0 7	1	GF1
30-51-0146	SHIELD PCB MT FOR 1/4 JACK 1.00 Hx1.25Wx.013THK BERYL COP	1	SH1
35-00-0071	PCB GUITAR INPUT SPIDER IV A21 REV A	1	
35-00-0266	PCB INPUT SHIELD SPIDER IV REV.A A21-3 -4 -5 -7	1	

50-02-0083 PCBA DISPLAY LCD 2 X 16 POS CHARACTER 12-O'CLOCK AMBER		1	
Part Number	Description	Qty	Refdes
18-30-0012	DISPLAY LCD MODULE 2X16 POS CHARACTER 12-OCLOCK AMBER A21	1	
21-30-0015-7	CBL RIBBON SIL 6 COND 26AWG 2. 54MM 5.0" W/SPLIT ENDS S/T	1	
21-30-0015-8	CBL RIBBON SIL 6 COND 26AWG 2. 54MM 7.0" W/SPLIT ENDS S/T	1	
30-27-0283	SPRT DUAL LKG CKT BD TEARDROP .156 LG 6/6 NYLON NAT A15	4	
50-02-0332 PCBA MAIN SPIDER IV A21		1	
Part Number	Description	Qty	Refdes
01-24-0000	RES OR 1% 0805	1	R5
01-24-1000	RES 100R 1% 0805	1	R40
01-24-1002	RES 10.0K 1% 0805	6	R10,R11,R15,R16,R86,R87
01-24-1071	RES 1.07K 1% 0805	1	R1
01-24-10R0	RES 10.0R 1% 0805	2	R69,R75
01-24-1101	RES 1.10K 1% 0805	4	R48,R110,R113,R114
01-24-1402	RES 14.0K 1% 0805	1	R132
01-24-1581	RES 1.58K 1% 0805	4	R111,R112,R115,R116
01-24-15R0	RES 15R 1% 0805	2	R81,R90
01-24-1781	RES 1.78K 1% 0805	1	R2
01-24-2001	RES 2.00K 1% 0805	8	R122,R123,R124,R125,R126,R127,R128,R129
01-24-2051	RES 2.05K 1% 0805	4	R9,R12,R14,R17
01-24-22R1	RES 22.1R 1% 0805	2	R59,R60
01-24-2491	RES 2.49K 1% 0805	2	R130,R131
01-24-30R1	RES 30.1R 1% 0805	1	R18
01-24-4751	RES 4.75K 1% 0805	2	R33,R36
01-24-47R5	RES 47.5R 1% 0805	8	R21,R22,R23,R24,R34,R35,R37,R38
01-24-51R1	RES 51.1R 1% 0805	2	R25,R30
01-24-5360	RES 536R 1% 0805	1	R42
01-24-5R11	RES 5.11R 1% 0805	2	R54,R55
01-24-6981	RES 6.98K 1% 0805	4	R64,R66,R71,R74
01-24-90R9	RES 90.9R 1% 0805	2	R3,R4
01-25-1000	RES 100R 1% 0603	2	R46,R47
01-25-1002	RES 10.0K 1% 0603	9	R56,R61,R93,R102,R105,R106,R107,R108,R117
01-25-1004	RES 1.00M 1% 0603	3	R8,R44,R45
01-25-10R0	RES 10.0R 1% 0603	1	R57
01-25-20R0	RES 20.0R 1% 0603	1	R6
01-25-3241	RES 3.24K 1% 0603	2	R58,R70
01-25-4751	RES 4.75K 1% 0603	24	R39,R41,R49,R50,R51,R76,R77,R78,R82,R83,R84,R85,R88,R91,R92,R94,R95,R97,R98,R99,R100,R101,R103,R104
01-25-47R5	RES 47.5R 1% 0603	1	R7
01-25-4990	RES 499R 1% 0603	2	R52,R53
03-10-0338	CAP ELEC 3300uF 6.3V 20% RADIAL 10/20/5	1	C119
03-11-2688	CAP ELEC RADIAL LOW-Z 6800UF 6.3V 20% 105C 0.014R 16.0MM 25.0MM 7.5MM TH	1	C2
03-50-0272	CAP NPO 2.7nF 50V 5% 0805	2	C9,C11
03-50-0330	CAP NPO 33pF 50V 5% 0805	1	C20
03-50-0391	CAP NPO 390pF 50V 5% 0805	1	C38
03-50-0472	CAP NPO 4.7nF 25V 5% 0805	4	C159,C160,C165,C166
03-50-0562	CAP NPO 5.6nF 50V 10% 0805	4	C161,C162,C163,C164
03-50-0681	CAP NPO 680pF 50V 5% 0805	4	C17,C21,C70,C85
03-52-0104	CAP X7R 0.1uF 50V 10% 0805	2	C150,C153
03-52-0221	CAP X7R 220pF 50V 10% 0805	2	C13,C16
03-52-0473	CAP X7R 47nF 50V 10% 0805	2	C111,C130
03-56-0101	CAP NPO 100pF 50V 5% 0603	3	C34,C154,C158
03-56-0102	CAP NPO 1nF 50V 5% 0603	2	C172,C174
03-56-0103	CAP NPO 10nF 50V 5% 0603	2	C175,C176
03-56-0180	CAP NPO 18pF 50V 5% 0603	2	C113,C120

50-02-0332 PCBA MAIN SPIDER IV A21		1
Part Number	Description	Qty Refdes
03-56-0220	CAP NPO 22pF 50V 5% 0603	2 C14,C15
03-58-0102	CAP X7R 1nF 50V 10% 0603	21 C46,C56,C62,C64,C65,C66,C73,C94,C96,C99,C100,C103,C106,C115,C124,C125,C127,C134,C147,C151,C156
03-58-0103	CAP X7R 10nF 50V 10% 0603	9 C32,C45,C57,C80,C90,C95,C104,C110,C123
03-58-0104	CAP X7R 0.1uF 25V 10% 0603	60 C4,C37,C39,C40,C41,C42,C43,C44,C47,C49,C52,C54,C55,C58,C60,C63,C67,C72,C74,C76,C77,C79,C82,C86,C91,C93,C101,C102,C105,C107,C108,C109,C112,C116,C117,C118,C121,C122,C126,C128,C131,,C132,C133,C135,C136,C137,C140,C141,C143,C144,C145,C146,C148,C149,C152,C155,C157,C171,C173,C17
03-80-0107	CAP ELEC 100uF 10V 20% SM 6.3/5.4/7.8	2 C7,C53
03-80-0227	CAP ELEC 220uF 10V 20% SM 8/6.2/9.5	2 C6,C177
03-80-0476	CAP ELEC 47uF 10V 20% SM 5/5.4/6.5	1 C61
03-80-1476	CAP ELEC 47uF 6.3V 20% SM 5.5/4/5.4	2 C26,C92
03-80-1477	CAP ELEC 470uF 6.3V 20% VS SM	1 C3
03-82-0106	CAP ELEC 10uF 16V 20% SM 4/5.4/5.5	8 C1,C5,C8,C10,C12,C71,C139,C142
03-88-0105	CAP ELEC 1uF 50V 20% VS SM	8 C48,C50,C51,C59,C78,C81,C114,C129
03-88-0106	CAP ELEC 10uF 50V 20% VS SM	2 C35,C36
04-01-0004	INDUCTOR CHOKE 150uH 0.4R 1A SM SHIELDED	1 L7
06-23-0054	DIODE SCHOTTKY DUAL 30V 200mA 5nS SOT-23 SM	1 D11
06-32-0130	DIODE SCHOTTKY 1A 30V SMB SM	1 D1
06-34-0031	DIODE GEN PUR DUAL 120V 600mA 50nS SOT-23 SM	8 D3,D4,D5,D6,D7,D12,D13,D15
09-06-7002	TRANS MOSFET N-CHAN 60V 7R5 SOT-23 SM	1 Q1
11-00-0012	CRYSTAL 12MHz SM HC49 FOXSDLF	1 X2
11-00-1003	CRYSTAL 24.576MHz HC49S 2PIN SM	1 X1
11-10-0501	FERRITE BEAD 500R @100MHz 2.5A 1206 SM	2 L1,L8
11-10-2012	FERRITE BEAD 600R @ 100MHz 300 mA 0805 SM	8 L2,L3,L4,L5,L6,L9,L10,L12
12-00-0317	IC VREG ADJ 1.2V-37V 1.5 AMP TO-220 LM317 TH	1 U2
12-01-7906	IC REG -6V 1.5A TO-220 TH	1 U19
12-02-1088	IC REG ADJ TO-220 TH	1 U13
12-02-7805	IC REG +5V 1.5 AMP TH	1 U10
12-54-0072	IC OP AMP DUAL TL072 SM	1 U15
12-54-0074	IC OP AMP TL074 SM	3 U5,U8,U9
12-64-4272	IC STEREO AUDIO CODEC 24 BIT 192 KHz CS4272 SM	1 U4
15-52-0541	IC 74LVCS41A LOW VOLT OCTAL BU FFER/DRIVER SOIC-20 SM	1 U18
15-65-0004	IC 74LVC04 LOW VOLTAGE HEX INV ERTER SO-14 SM	1 U17
15-68-2374	IC PWM DC/DC CONVERTER DMP8 SM	1 U1
15-70-0005	IC SDRAM 3.3V 64MB 1M x 16 x 4 EM638165TS-7G TSOP-54 SM	1 U3
15-86-2375	IC DSP SHARC PROCESSOR 32 BIT ADSP-21375 LQFP208EP SM	1 U7
15-92-5811	IC RESET PUSH PULL OUTPUT 3.3V ACTIVE LOW SOT-23 SM	1 U14
15-98-0000	IC POT DIGITAL NON-VOL DUAL 10K SPI 2.7-5.5V 7BIT 129 14TSSOP SM	1 R109
21-00-6616	JACK 1/4" TRS PCB MOUNT 6 PIN HORIZONTAL TH	1 J2
21-12-0035	JACK 3.5MM STEREO 5 PIN CRIMPE D LEADS NON-THREADED	1 J3
21-16-0045	JACK RJ-45 MOD 8/8 RT/A FEMALE PCB 50AU	1 J1
21-20-0206	HDR SIL PCB-MT 6 PIN x 2MM MALE SHRD VERT MT TH	1 H3
21-20-0210	HDR SIL PCB-MT 10 PIN x 2MM MALE SHRD VERT MNT TH	1 H4
21-21-0040	HDR DIL PCB-MT 40 PIN 2 x 20 x .100 MALE SHRD VERT MNT TH	1 H1
30-00-0043	SCREW 6-32 X 5/16 LG WITH LOCK WASHER PHIL PAN ZINC-PLATED STEEL	1
30-12-2210	STANDOFF HEX .250 6-32 F-F .500 LG AL	1
30-18-3030	CLIP GROUND PCB .30 x .30 x .0 7	3 GF1,GF2,GF3
35-00-0332	PCB MAIN SPIDER IV A21-3/4/5/7	1
45-01-0042	IC PROGRAMMED MCU SPIDER IV A21-3 A21-4 A21-5 A21-7	1 U12
15-84-2132	IC MCU 16/32Bit ARM7TDMI w/ 64KB FLASH 16K SRAM LQFP64 SM	1 (U12)
45-02-0056	IC PROGRAMMED FLASH A21-3/A21-4/A21-5/A21-7	1 U16
15-78-2532	IC FLASH 32Mbit SPI SERIAL SOIC-8 200mil SM	1

50-02-0333 PCBA UI SPIDER IV A21		1	
Part Number	Description	Qty	Refdes
01-24-1000	RES 100R 1% 0805	6	R702,R704,R708,R710,R716,R720
01-24-1002	RES 10.0K 1% 0805	1	R1
01-24-1501	RES 1.50K 1% 0805	1	R2
01-24-40R2	RES 40.2R 1% 0805	4	R701,R703,R713,R717
01-24-4751	RES 4.75K 1% 0805	4	R709,R712,R719,R724
01-24-4752	RES 47.5K 1% 0805	1	R3
01-48-6103	POT MONO 10KB LINEAR TAPER 25MM W/9MM NUT D-SHAFT	11	R700,R705,R706,R707,R711,R714,R715,R718,R721,R722,R723
03-52-0104	CAP X7R 0.1uF 50V 10% 0805	1	C1
03-58-0104	CAP X7R 0.1uF 25V 10% 0603	4	C713,C718,C737,C738
03-80-0107	CAP ELEC 100uF 10V 20% SM 6.3/5.4/7.8	1	C700
06-34-0016	DIODE SWITCHING 75V 200mA 6ns SOT-23 SM	4	C710,C720,C725,C726
09-06-7002	TRANS MOSFET N-CHAN 60V 7R5 SOT-23 SM	1	Q1
09-10-0092	TRANS PNP HI VOLTAGE SOT-23 SM	1	Q2
12-62-4052	IC SWITCH ANALOG 4052 SO-16 SM	2	U700,U701
18-02-0003	LED YELLOW SUPER BRIGHT T-1 3M M DIFFUSED TH	7	D708,D709,D711,D713,D716,D722,D727
18-06-0003	LED RED/GRN CYLINDRICAL T-1 3M M 3-PIN COM-CATH 627/565nm TH	17	D700,D701,D702,D703,D704,D705,D706,D707,D712,D714,D715,D717,D718,D719,D721,D723,D724
21-18-0002	TERMINAL SCREW PCB MOUNT RIGHT ANGLE SNAP-IN 6-32 THREAD	6	BR700,BR701,BR702,BR703,BR704,BR705
21-21-0040	HDR DIL PCB-MT 40 PIN 2 x 20 x .100 MALE SHRD VERT MNT TH	1	H702
21-30-0012	CBL SIL 10 PIN 26AWG 2.54MM x 40MM S/T	1	
24-12-0010	ENCODER 20 STEP w/SWITCH 20MM D-SHAFT METAL V-MNT PCB	1	E700
24-31-1105	SWITCH TACT 6MM SQ 4 PIN TH	11	SW700,SW701,SW702,SW703,SW704,SW705,SW706,SW707,SW708,SW709,SW710
30-15-0035-3	SPACER LED 4.5MM DIA X 1.5MM NYLON KANG YANG LEDH-1.5	17	
30-27-0218	BUTTON 4 WAY BOTTOM .8 DIA x 0.5 HT ABS	1	
30-27-0221	4-WAY SW PIVOT PIN .37 x .200 DIA NYLON 6/6 WHITE	1	
30-27-0353	BUTTON PLASTIC CLEAR W/CHROME TOP A21	7	
30-27-0363	BUTTON 4 WAY TOP .8 DIA x .4 H T ABS	1	
30-27-0364	FRAME 4-WAY 1.04 DIA X 0.7 ABS A15 A21 A23	1	
30-63-0028	FOAM RING 4-WAY SW RET PU .75 OD x .40 ID x .18 HT BLK	1	
35-00-0333	PCB UI SPIDER IV A21-3/4/5/7	1	
35-00-0333-1	PCB 4-WAY SW/LCD BREAK-AWAY SPIDER IV A21-3/4/5/7	1	
50-02-0334-2 PCBA POWER AMP 120W - 150W SPIDER IV-HD150 A21-7		1	
Part Number	Description	Qty	Refdes
01-00-0103	RES 10K 5% 0805	2	R14,R15
01-22-02R2	RES METAL OXIDE 2.2R 2W 5% TH	2	R5,R6
01-22-0R47	RES METAL OXIDE 0.47R 2W 5% TH	4	R3,R4,R7,R8
01-24-1693	RES 169K 1% 0805	2	R1,R9
01-60-0203	RES NETWORK ISOLATED 20K 16P 8R .3W 2% CER SOP-16 SM	2	R2,R10
03-18-0336	CAP ELEC 33uF 50V 20% RADIAL 5/11/5	2	C6,C16
03-18-1106	CAP ELEC 10uF 50V 20% BI-POLAR RADIAL 6.3/11.2/5	2	C2,C12
03-22-0476	CAP ELEC 47uF 100V 20% RADIAL 10/15/5	2	C8,C10
03-24-1104	CAP MET POLY 0.1uF 100VDC 5% TH 4.5/7.5/7/5	2	C7,C9
03-52-0470	CAP X7R 47pF 50V 10% 0805	2	C3,C13
03-52-0680	CAP X7R 68pF 50V 10% 0805	2	C1,C11
03-52-1103	CAP X7R 10nF 100V 10% 0805	4	C4,C5,C14,C15
06-22-0001	DIODE ULTRAFast 200V 2A 15ns SMA	4	D5,D7,D8,D10
12-30-7293	IC POWER AMP 100W TDA7293 TO- 220/15 TH	2	U1,U2
21-21-0012	HDR DIL PCB-MT 12 PIN 2 x 6 x 2MM MALE SHRD VERT JST TH	1	J1B
21-34-0131-1	CBL ASSY SIL 6 COND 22 AWG BLUE X 6 INCH	1	J2A
35-00-0334	PCB POWER AMP 120W - 150W SPIDER IV A21-4/5/7	1	

50-02-0198 PCBA SPEAKER OUT SPIDER IV A21-5 A21-7		1	
Part Number	Description	Qty	Refdes
03-00-0104	CAP CER DISC 0.1uF 50V 20% TH	2	C601,C602
03-00-0680	CAP CER DISC 68pF 50V 20% TH	2	C600,C603
21-00-6616	JACK 1/4" TRS PCB MOUNT 6 PIN HORIZONTAL TH	2	J600,J601
21-20-1564	HDR SIL PCB-MT 4 PIN x .156 MA LE VERT MNT FRIC LOCK	1	H600
21-20-0036	HEADER 6 PIN 2.5MM MALE SHROUDED KEYED VERTICLE TH	1	J602
30-18-3030	CLIP GROUND PCB .30 x .30 x .07	2	GF600,GF601
35-00-0198	PCB SPEAKER OUT SPIDER IV A21-5 A21-7 2-LAYER 1.5" X 2"	1	
50-02-0336 PCBA SUPPLY 75W - 150W SPIDER IV A21-3/4/5/7		1	
Part Number	Description	Qty	Refdes
01-12-0473	RES CARBON FILM 47K 1/4W 5% TH	1	R12
03-00-0104	CAP CER DISC 0.1uF 50V 20% TH	2	C27,C28
03-12-0478	CAP ELEC 4700uF 16V 20% RADIAL	1	C4
03-12-0108	CAP ELEC 1000uF 16V 20% RADIAL 10/16/5	1	C3
03-18-0478	CAP ELEC 4700uF 50V 20% RADIAL 25/40/10 OR 22/35/10	2	C18,C19
03-41-0224	CAP X-CAP 0.22uF 275VAC 20% POLYPROPYLENE 18/9.5/17.5/15	1	C17
03-75-0102	CAP Y-CAP 1nF 250VAC 20% TH CER DISC 7D/7/7.5	2	C22,C23
06-16-0008	DIODE BRIDGE RECTIFIER 600V 8A 4 PIN SIL TH	1	D1
06-32-4006	DIODE RECTIFIER 800V 1A SMA SM	2	D2,D6
11-10-2020	CHOKE WIDE BAND 1-5 TURNS	2	L1,L2
21-20-0210	HDR SIL PCB-MT 10 PIN x 2MM MA LE SHRD VERT MNT TH	1	H1
21-20-1564	HDR SIL PCB-MT 4 PIN x .156 MA LE VERT MNT FRIC LOCK	1	H6
21-20-1565	HDR SIL PCB-MT 5 PIN x .156 MA LE VERT MNT FRIC LOCK	1	H4
21-20-3122	HDR SIL PCB-MT 2 PIN x 7.92MM MALE VERT MNT FRIC LOCK	1	H5
21-20-3123	HDR SIL PCB-MT 3 PIN x 7.92MM MALE VERT MNT FRIC LOCK	2	H2,H3
21-21-0012	HDR DIL PCB-MT 12 PIN 2 x 6 x 2MM MALE SHRD VERT JST TH	1	J1A
35-00-0336	PCB SUPPLY 75W-150W SPIDER IV A21-3/4/5/7 REV A	1	



Forward and Notes

The information in this booklet applies to the Spider IV Chassis E/M Assembly (A21). It is suggested that the steps for assembly follow the order presented in these instructions.

These instructions deal with the assembling of the major subassemblies, the final product, and quality/inspection considerations. See also the Related Electrical assembly documentation for major considerations in assembling the electrical components of the PCBs (through the soldering process and preparation of the board for addition of custom components).

A note on the text: the illustrations in this book are for reference only. In some cases, color and geometry of illustrations may not accurately reflect the color or exact geometry of actual parts.

- Unless otherwise noted, all dimensions are in inches.
- Drawings are not to scale.
- Torque value tolerance +/- .5 in.-lbs. Do not over tighten any components.
- For clarity, not all component details are shown. This is especially true with respect to cable assemblies. They are often omitted from views to provide a clearer picture of the material discussed. Do not be confused by the absence (or unexpected presence) of any component in the illustrations in this book.



Revision Comment Sheet

Revision	Changes
X0	N/A
A	ECO 0831803. Initial release.
B	<p>ECO 0835201.</p> <p>Step 1 – Added 30-51-0365-4 Chassis to part number table.</p> <p>Step 8 – Removed 30-15-0004 SPACER.</p> <p>Step 9 – Removed WASHER and CHROME NUT (incl with ¼” jack). Specified black plastic nut.</p> <p>Step 21 – Removed 30-15-0004 SPACERS.</p> <p>Step 22 – Removed WASHER and CHROME NUTS (incl with ¼” jacks). Specified black plastic nuts.</p>
C	<p>ECO 0908404.</p> <p>Step 2a – Added qty 17 of HEAT SHRINK TUBING for LEDs.</p> <p>Step 3 – Removed POTENTIOMETER WASHERS from assembly.</p> <p>Step 6 – Updated EU Voltage Label P/N to 40-25-0172 (was 40-25-0142).</p> <p>Step 8 – Added FOAM STRIP and recommendation for SHOP AID.</p> <p>Step 9 – Added details for using SHOP AID to install PCBA MAIN.</p> <p>Step 11 – Removed 30-27-0403 SHOULDER WASHER.</p> <p>Step 17 – Added CABLE ASSY to this step (moved from Step 26).</p> <p>Step 18 – Added CABLE ASSY to this step (moved from Step 26).</p> <p>Step 21 – Updated to specify the 21-34-0131-1 cable. Ref ECO 0903505.</p> <p>Step 22a – Deleted. This step combined with Step 21.</p>



Revision Comment Sheet Continued

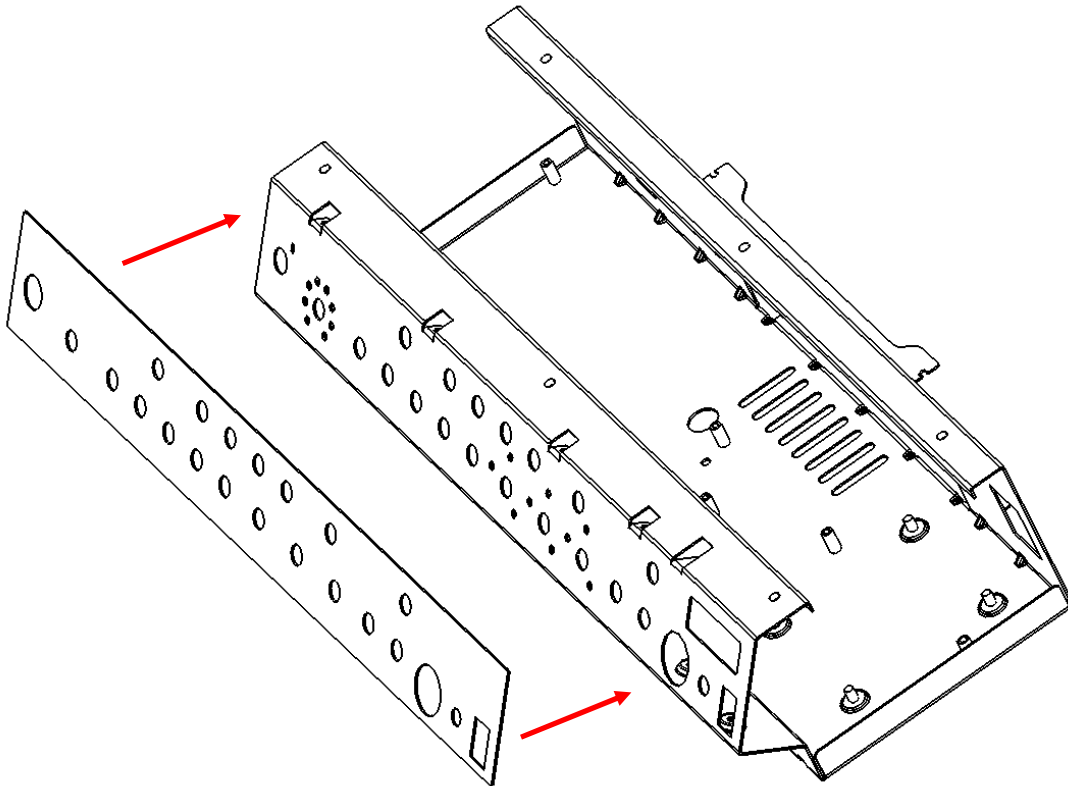
Revision	Changes
C (cont'd)	Step 23 – Revised cable part number to 21-34-0111 (was 21-34-0111-1). Step 24 – Added RTV application to 40-pin ribbon cable (4 PL). Step 26 – Clarified sequence of cable installation. Steps 27, 28, 29, 30 – Added new pictures for clarification. Step 35 – Revised encoder knob part number to 30-45-0027. (was 30-27-0222-1) Step 37 – Clarified positioning of FOAM STRIP. Step 39 – Revised the placement location of the ETL label for each model.
D	ECO 0000871. Step 38b – Added clear scotch tape application.
E	ECO 0000901. Steps 38a and 38b – Updated picture and position spec of front foam strip.

STEP 1

P/N required:

Model	Chassis Part Number	Overlay Part Number
112	30-51-0365-1	30-42-0026-1
210	30-51-0365-2	30-42-0026-2
212	30-51-0365-3	30-42-0026-3
HD150	30-51-0365-4	30-42-0026-3

Remove the protective backing from the UI OVERLAY and press it into place on the CHASSIS face as shown. Care shall be taken to align the UI OVERLAY with edges and cutouts on the CHASSIS face.



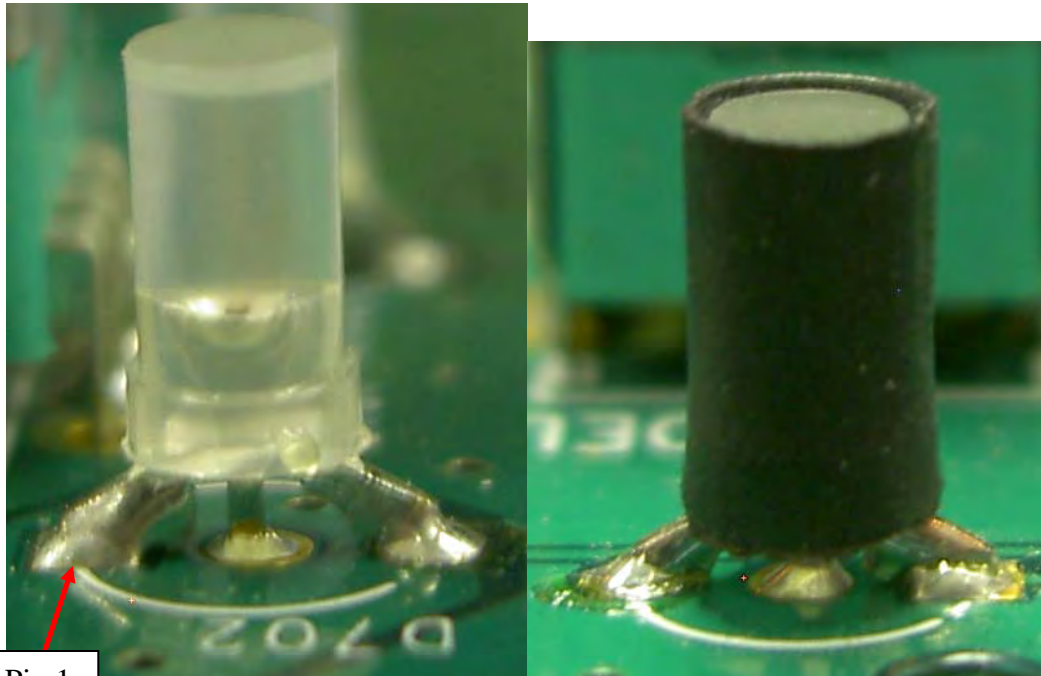
STEP 2a

P/N required:

1 each **50-02-0333** PCBA UI

17 each **30-63-0050** HEAT SHRINK TUBING

Insert HEAT SHRINK TUBING on top of each LED. Push the HEAT SHRINK TUBING all the way down so that it does not block the top of the LED and impede the light.



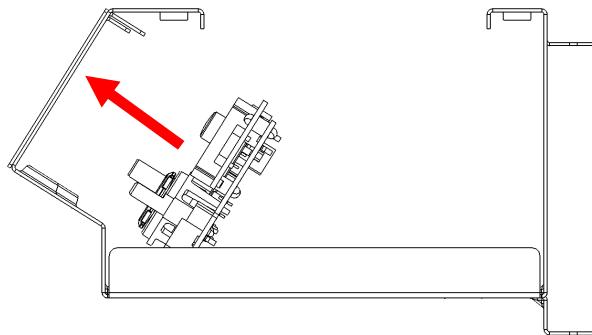
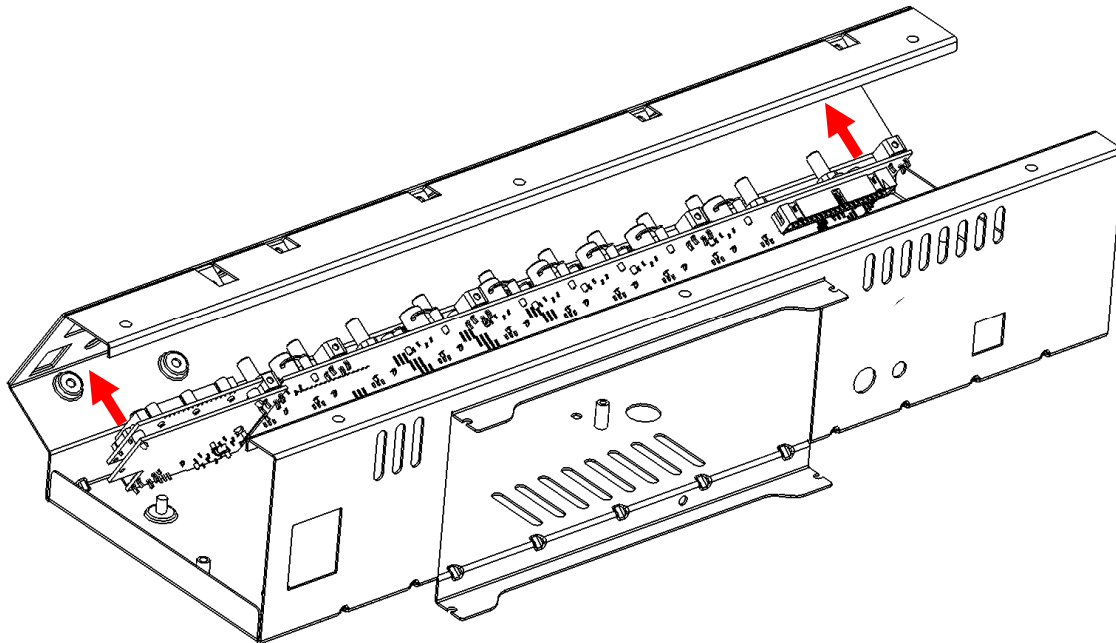
Pin 1

STEP 2b

P/N required:

7 each **30-00-0043** SCREW 6-32 x 5/16" WITH STAR WASHER

Insert the PCBA UI through the holes in the CHASSIS as shown.

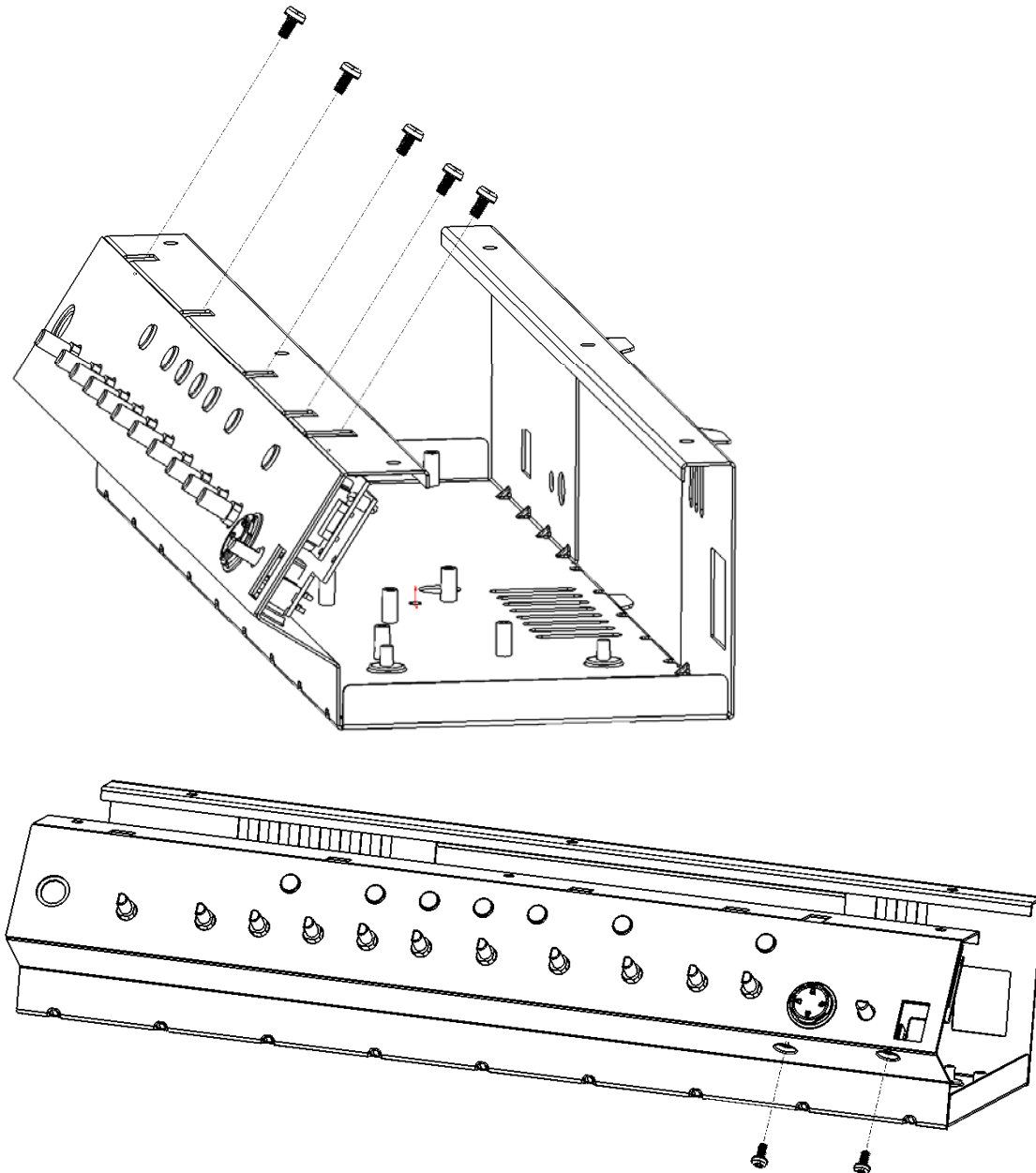


Step 2b is continued on next page

STEP 2b CONT'D

Secure PCBA UI to the CHASSIS with seven (7) SCREWS.

Torque each SCREW to 8 – 10 inch-pounds. Apply loctite to the top of each screw after tightening.



STEP 3

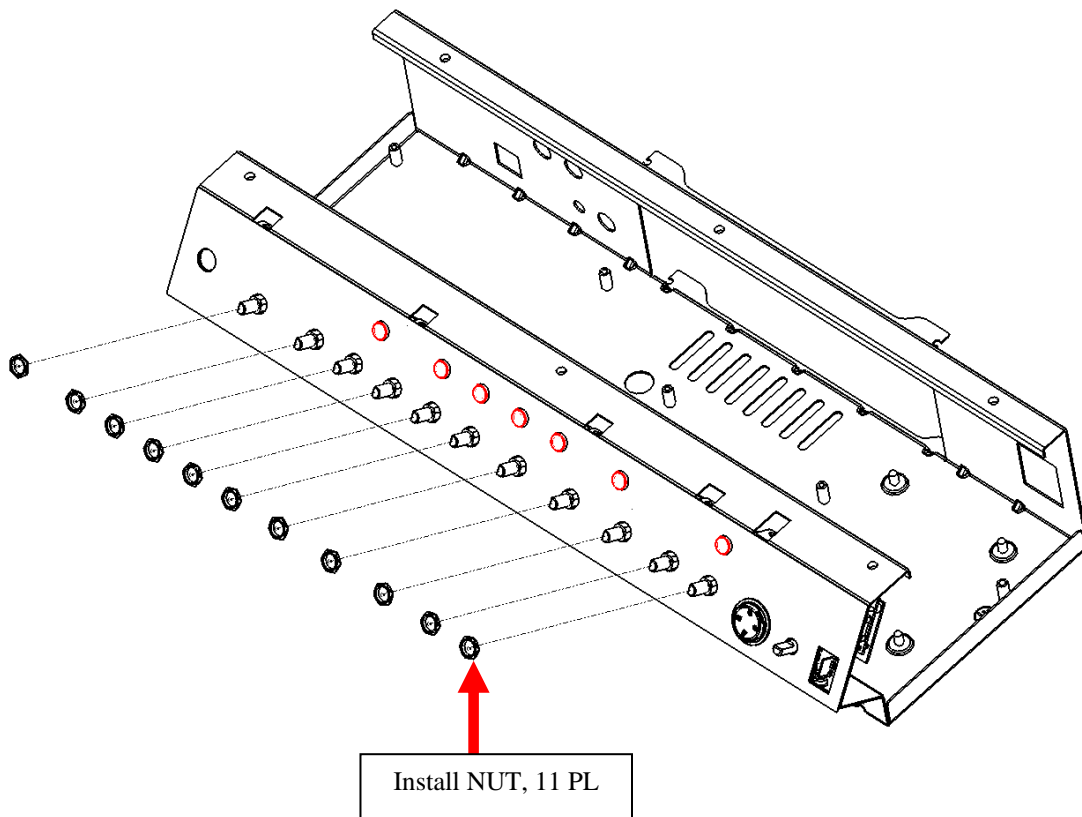
P/N required:

11 each NUT (included with POTENTIOMETER)

Insert one NUT over each potentiometer shaft. Note – the washer that comes with potentiometer should not be used in the assembly.

Torque each NUT to 4 – 6 inch-pounds.

Remove Overlay protective covering before installing nuts. Use caution in handling Chassis to prevent scratches or other defects.





STEP 4a (for 112 model only)

Note – this step only applies to a 112 chassis assembly. If building a 210, 212 or HD150, proceed to Step 4b.

P/N required:

4 each **30-06-0832** HEX NUT #8-32 w/TOOTH WASHER

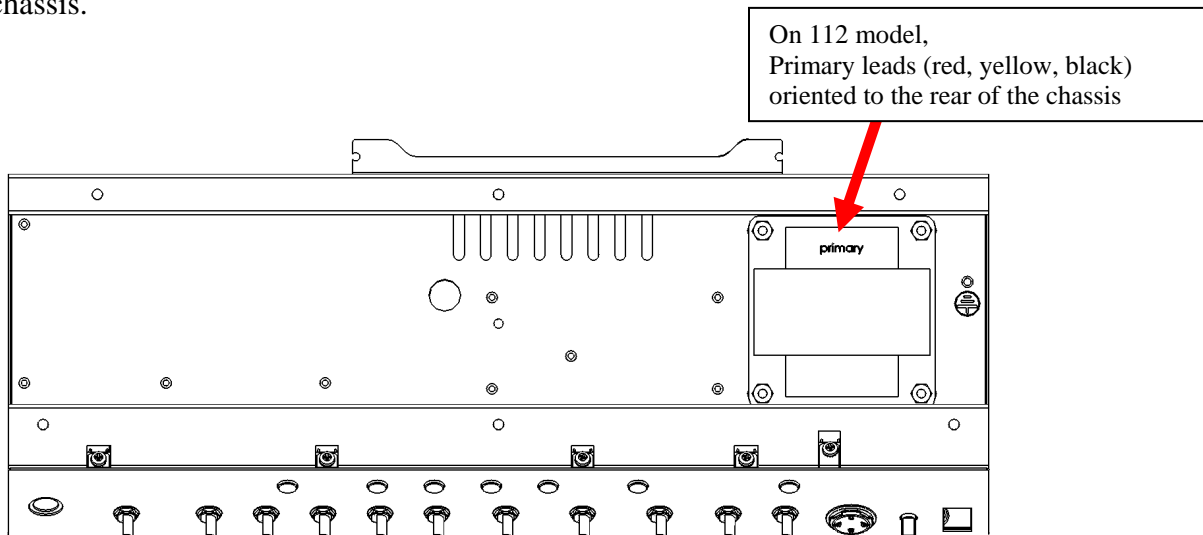
1 each **11-30-XXXX** TRANSFORMER (per table below)

For 112 model (Chassis P/N 30-51-0365-1):

A/C Voltage	Transformer P/N
100/120 VAC (US, JA)	11-30-0006
220/240 VAC (AU, UK, EU)	11-30-0007

Install the transformer to chassis, oriented as shown.

The primary leads (Red/Yellow/Black) of transformer face towards the rear of the chassis.



Secure the TRANSFORMER to chassis using four (4) HEX NUTS.

Torque each nut to 8-10 inch-pounds. Apply loctite to the top of each nut after tightening.

STEP 4b (for 210, 212 and HD150 models only)

Note – this step only applies to a 210, 212 or HD150 chassis assembly. If building a 112, please follow step 4a.

P/N required:

4 each **30-06-0832** HEX NUT #8-32 w/TOOTH WASHER

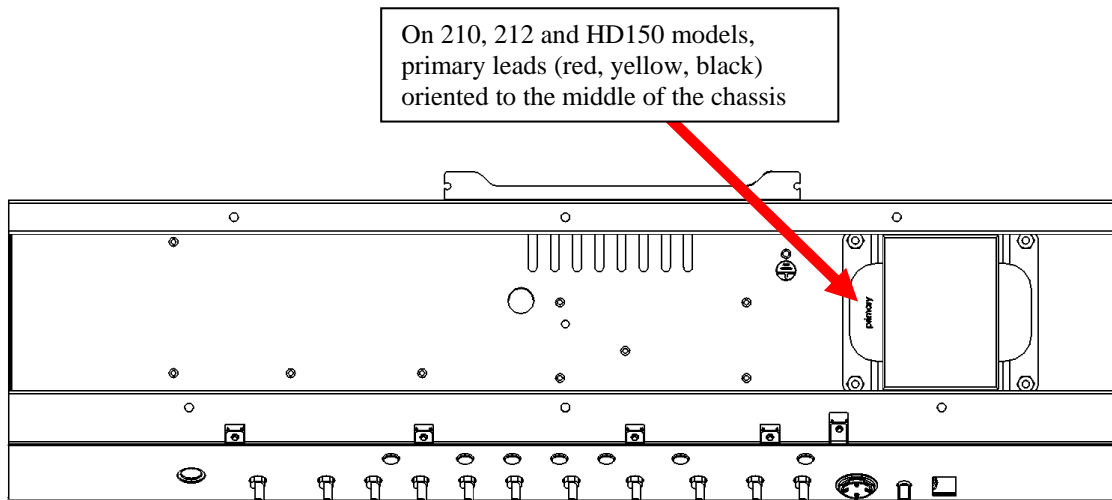
1 each **11-30-XXXX** TRANSFORMER (per table below)

For 210, 212 and HD150 models (Chassis P/N 30-51-0365-2 and 30-51-0365-3):

A/C Voltage	Transformer P/N
100/120 VAC (US, JA)	11-30-0036
220/240 VAC (AU, UK, EU)	11-30-0037

Install the transformer to chassis, oriented as shown.

The primary leads (Red/Yellow/Black) of transformer towards the middle of the chassis.



Secure the TRANSFORMER to chassis using four (4) HEX NUTS.

Torque each nut to 8-10 inch-pounds. Apply loctite to the top of each nut after tightening.

STEP 5

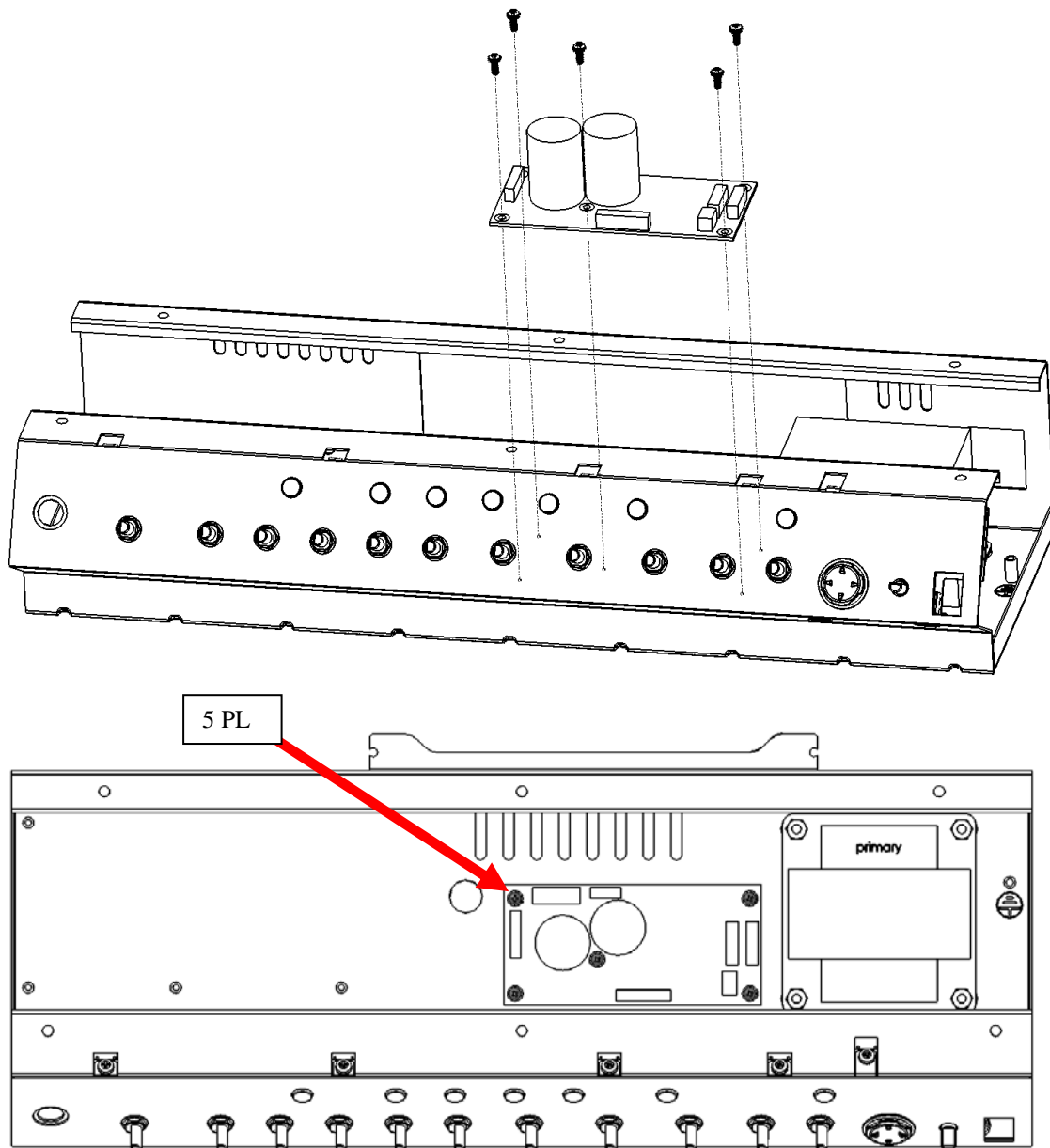
P/N required:

1 each **50-02-0336** PCBA POWER SUPPLY.

5 each **30-00-0150** SCREW 4-40 x 5/16" WITH STAR WASHER

Secure the PCBA POWER SUPPLY to the chassis with five (5) SCREWS.

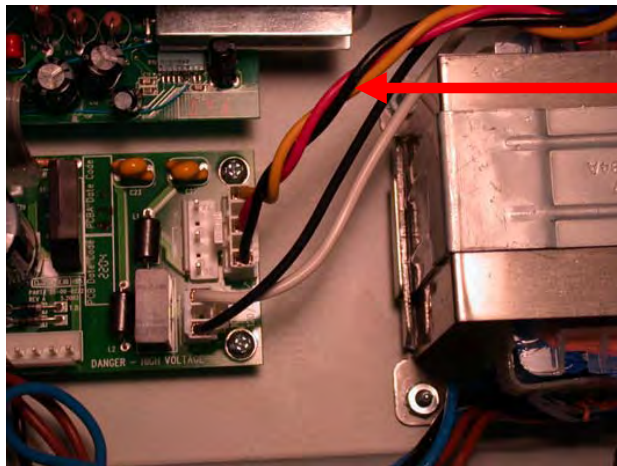
Torque each SCREW to 6 – 8 inch-pounds. Apply loctite to each screw after tightening.



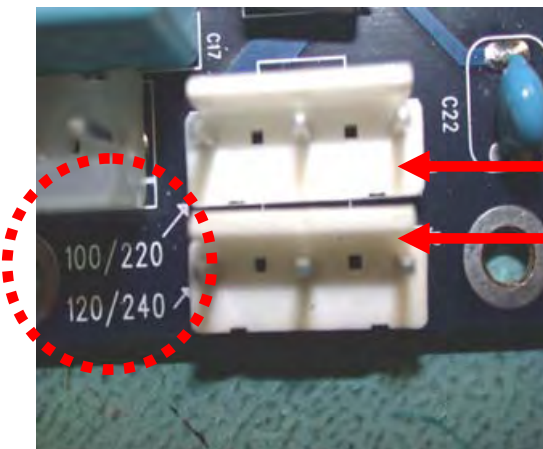
STEP 6

Twist the PRIMARY transformer wires (1 twist per 2.54cm). Connect transformer PRIMARY cables to PCBA POWER SUPPLY header (H2 or H3). See table below for appropriate header connection.

A/C Voltage	Header on PCBA Power Supply	Voltage Label P/N
100 VAC (JA)	H2	40-25-0141
120 VAC (US)	H3	(no label)
220 VAC (EU)	H2	40-25-0172
240 VAC (AU, UK)	H3	40-25-0143



Primary wires (red, yellow, black)



H2

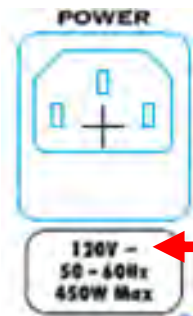
H3

Step 6 is continued on next page

STEP 6 CONT'D

Apply the appropriate LABEL VOLTAGE sticker to indicated area on the Chassis Rear U/I.

The appropriate LABEL can be determined from the table on the previous page.



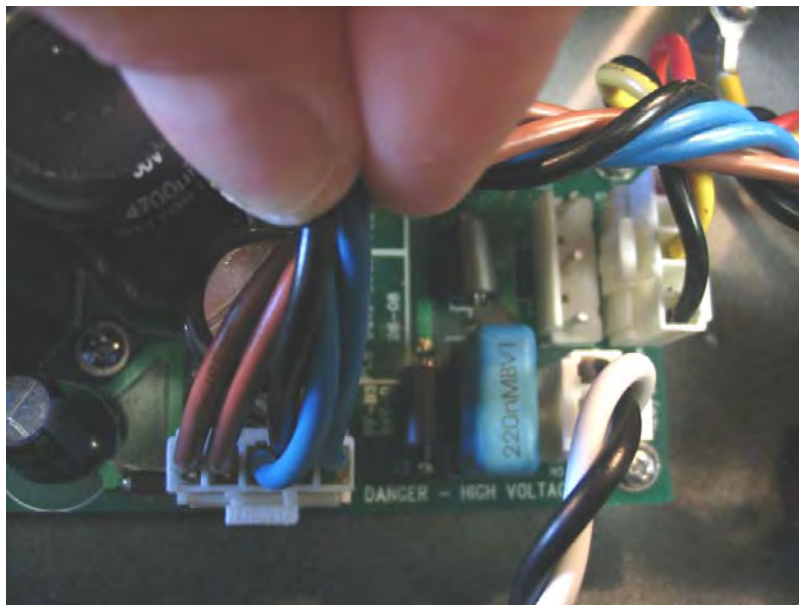
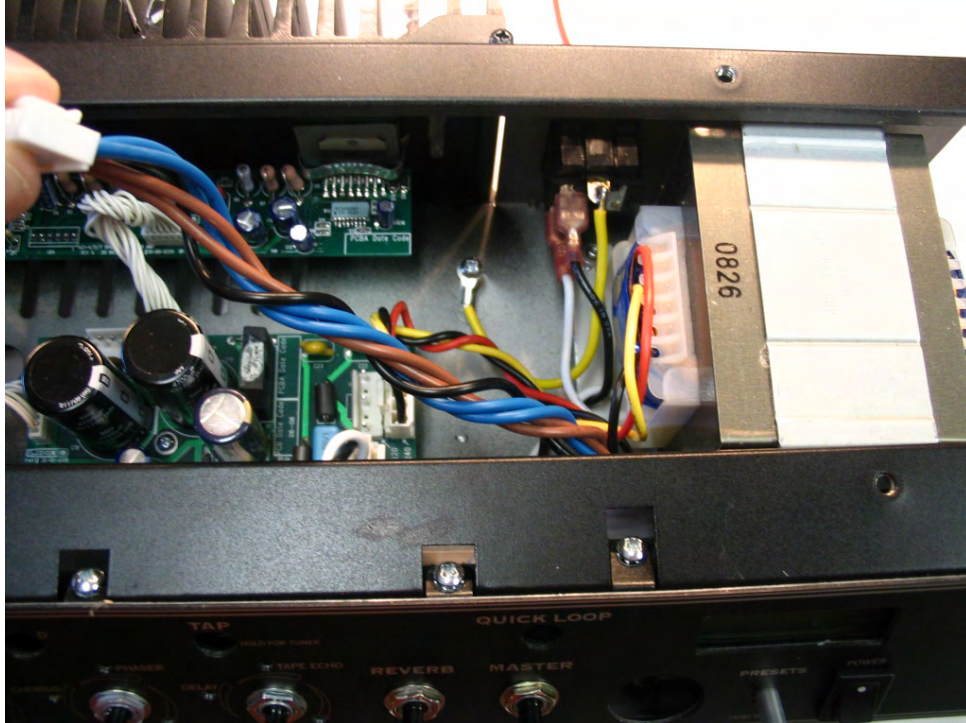
Apply LABEL on 100V, 220V and 240V units, per
Table (see previous page)

Sticker shall cover the "120V ~" font

APPLY LABEL HERE
(over the 120V ~)

STEP 7

Twist the SECONDARY transformer wires (1 twist per 2.54cm). Connect transformer SECONDARY cables to PCBA POWER SUPPLY header H4.



STEP 8

P/N required:

1 each **30-63-0600-4** FOAM STRIP

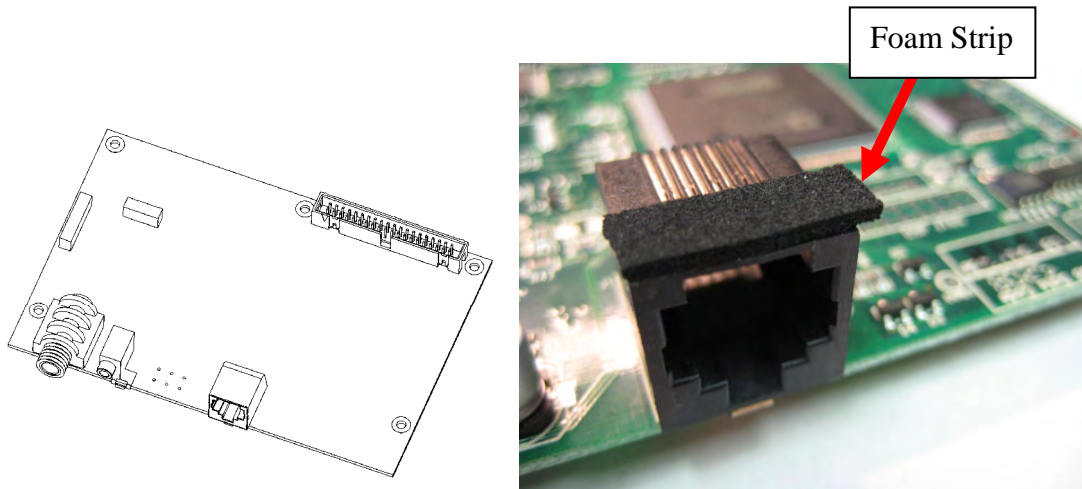
For 112, 210 and 212:

1 each **50-02-0332-1** PCBA MAIN

For HD150:

1 each **50-02-0332-2** PCBA MAIN

Apply FOAM STRIP to the top of the RJ45 Jack. Align front edge of FOAM STRIP with front edge of RJ45 Jack.



Line 6 also recommends using a SHOP AID for installing the PCBA MAIN to the chassis, similar to this:



Recommendations for SHOP AID (not requirements):

Material: aluminum or steel.

Outer diameter: 7.45mm

Inner diameter: 6.25mm

STEP 9

P/N required:

5 each **30-00-0150** SCREW 4-40 x 5/16" WITH STAR WASHER

1 each **BLK PLASTIC NUT** (included with 1/4" jack)

Insert SHOP AID around CD/MP3 jack as shown.



Secure the PCBA MAIN to the chassis with five (5) SCREWS.



Torque each SCREW to 6 – 8 inch-pounds. Apply loctite to each screw after tightening.

Step 9 is continued on next page

STEP 9 CONT'D

Install the PLASTIC NUT as shown.



Torque the PLASTIC NUT to 4 – 5 inch-pounds.

Remove SHOP AID.

The CD/MP3 jack should be concentric to the hole in the chassis as shown below.



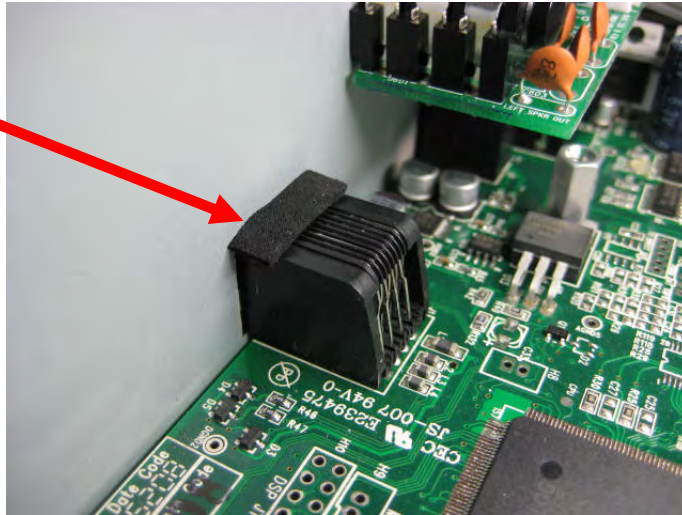
Jack should be
concentric to hole in
chassis

Step 9 is continued on next page

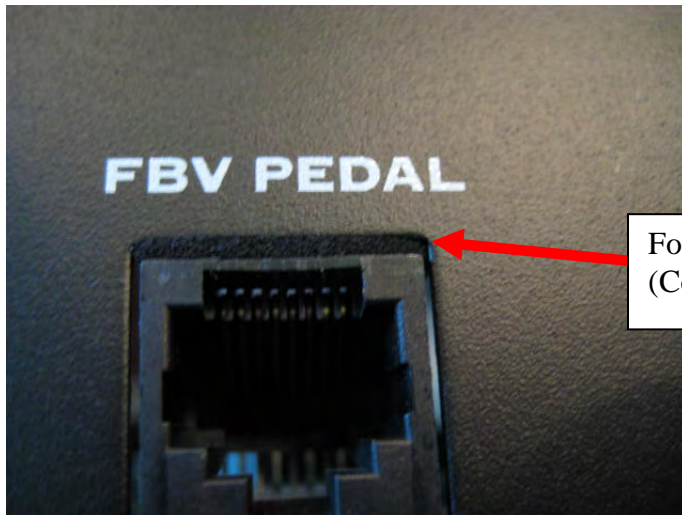
STEP 9 CONT'D

The FOAM STRIP should be wedged between the chassis and the jack.

Foam Strip
(fits between
chassis and jack)



The FOAM strip should be compressed against the chassis as shown.



Foam Strip
(Compressed)

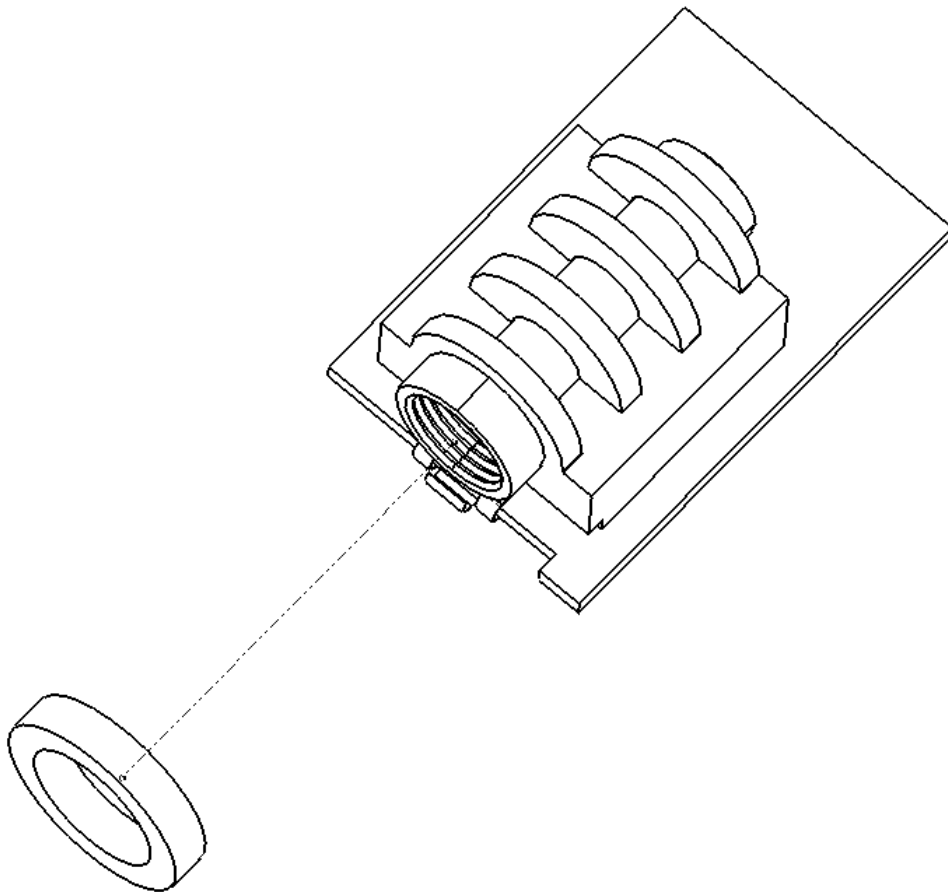
STEP 10

P/N required:

1 each **50-02-0071** PCBA GUITAR INPUT

1 each **30-15-0004** SPACER

Insert the SPACER over the 1/4" jack as shown.



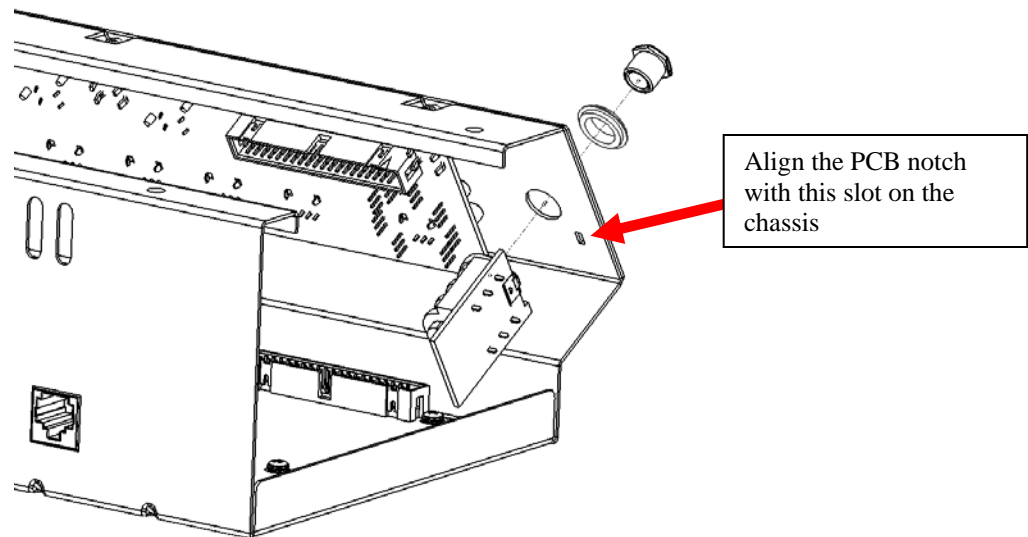
STEP 11

P/N required:

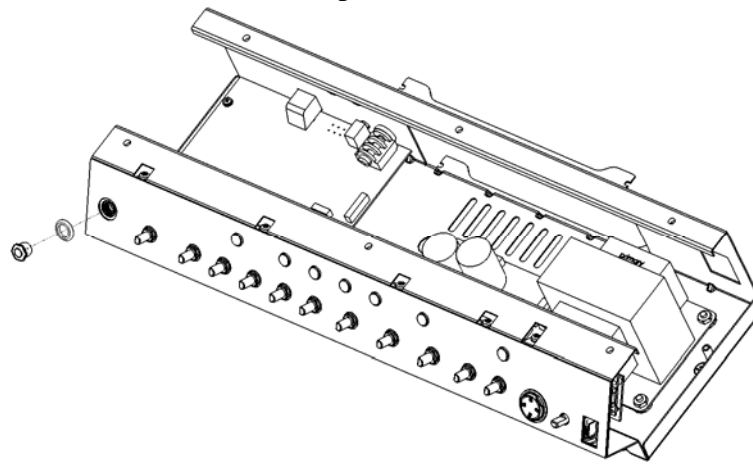
1 each **SHOULDER WASHER** (included with 1/4" jack)

1 each **CHROME NUT** (included with 1/4" jack)

Install the PCBA GUITAR INPUT to the chassis as shown below. Align the anti-rotation notch on the PCB with the slot on the chassis.



Install the SHOULDER WASHER and CHROME NUT in the order shown below.
Torque the CHROME NUT to 4 – 5 inch-pounds.



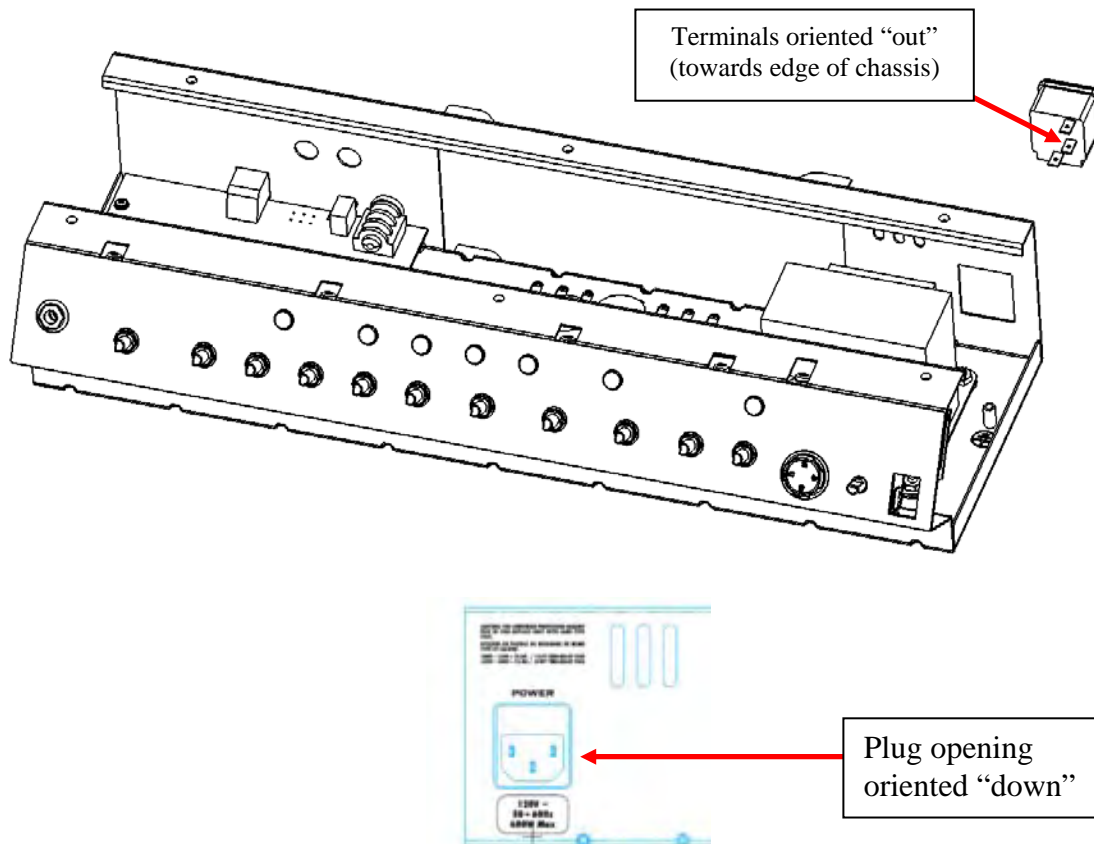
STEP 12

P/N required:

1 each **50-00-0001** A/C RECEPTACLE

Insert the A/C RECEPTACLE into the chassis as shown. Note the orientation of the A/C RECEPTACLE. Also note that the 21-34-1116 Earthing Cable (not shown) shall be soldered to the A/C RECEPTACLE prior to installation.

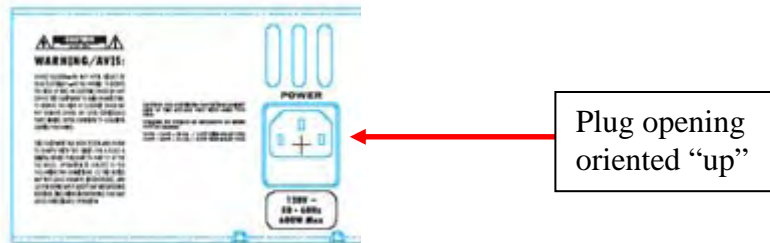
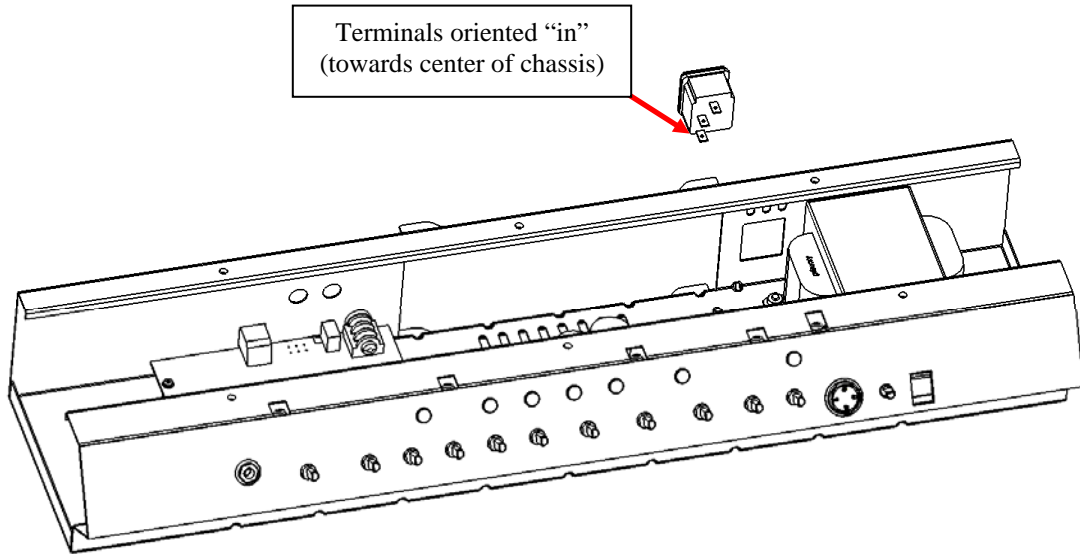
For the 112 model (chassis P/N 30-51-0365-1), the A/C RECEPTACLE shall be oriented as shown.



Step 12 is continued on the next page

STEP 12 CONT'D

For the 210, 212 and HD150 models (chassis P/N 30-51-0365-2 and 30-51-0365-3), the A/C RECEPTACLE shall be oriented as shown.



STEP 13

P/N required:
1 each **FUSE** (see table below)

A/C Voltage	Fuse P/N
100 VAC (JA)	24-19-4025 (4A/125V)
120 VAC (US)	24-19-4025 (4A/125V)
220/240 VAC (AU, UK, EU)	24-18-2251 (2A/250V)

Open and remove fuse holder. Install correct FUSE. Install fuse holder back into A/C Receptacle.



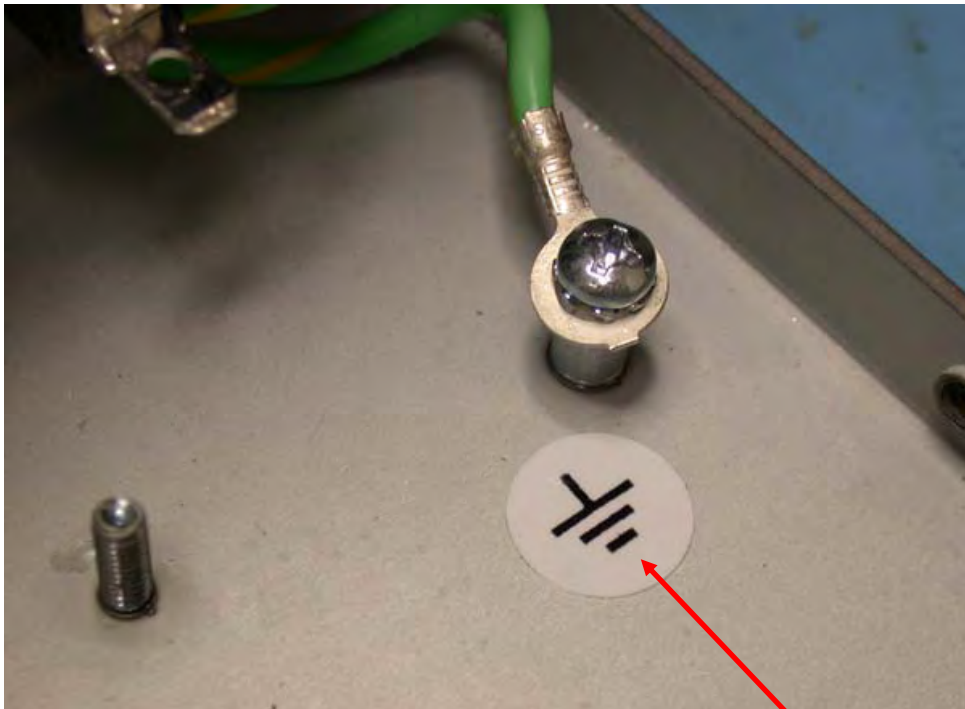
STEP 14

P/N required:

1 each **30-00-0043** SCREW 6-32 x 5/16" WITH STAR WASHER

Secure the earth ground wire (from the A/C Receptacle) to the chassis ground standoff as shown below using one (1) SCREW.

Torque the SCREW to 8-10 inch-pounds. Apply loctite after tightening.



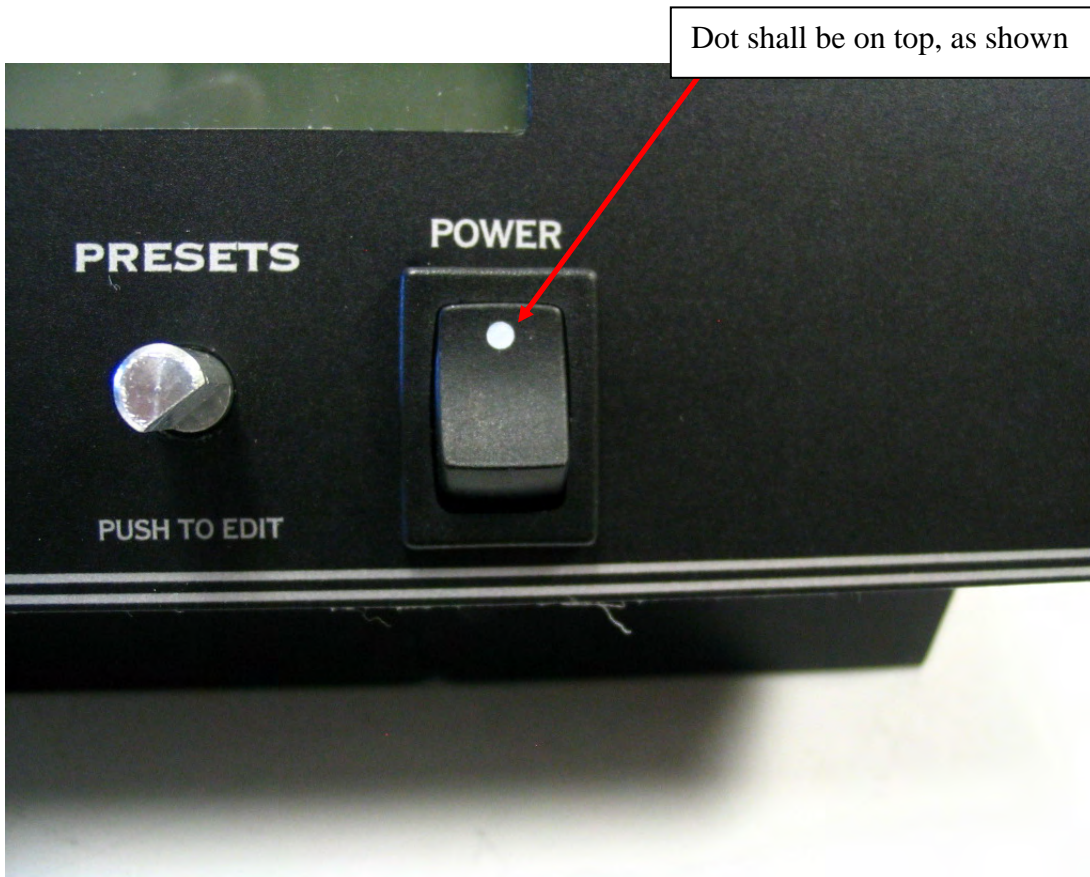
Note – this sticker is not required. Chassis has ground symbol ink stamped on it.

STEP 15

P/N required:

1 each **24-24-0607** ROCKER SWITCH

Insert the ROCKER SWITCH as shown below. Note the orientation of the switch. The dot shall be “up” or “on top”, as shown.



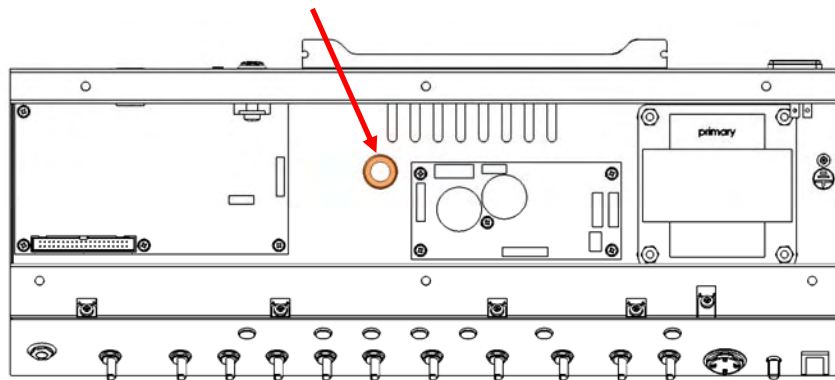
STEP 16 (for 112, 210 and 212 models only)

P/N required:

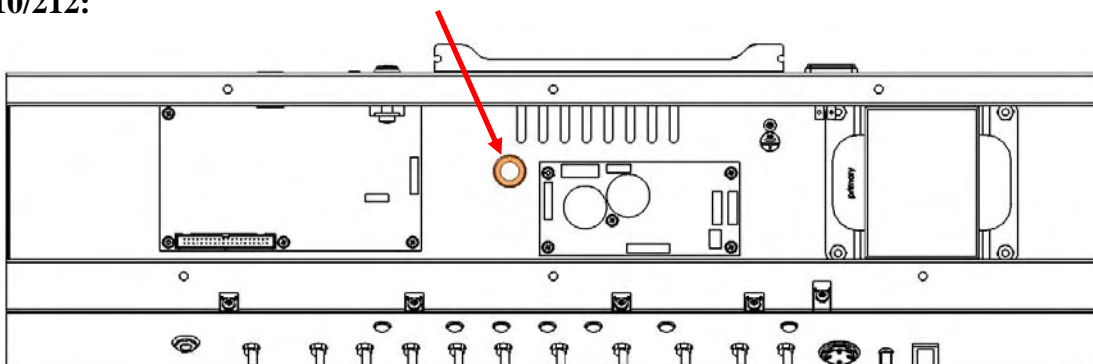
1 each **30-75-9600** GROMMET

Install the GROMMET as shown below.

112:



210/212:



HD150: Do not install this part.

STEP 17 (for 112 model only)

P/N required:

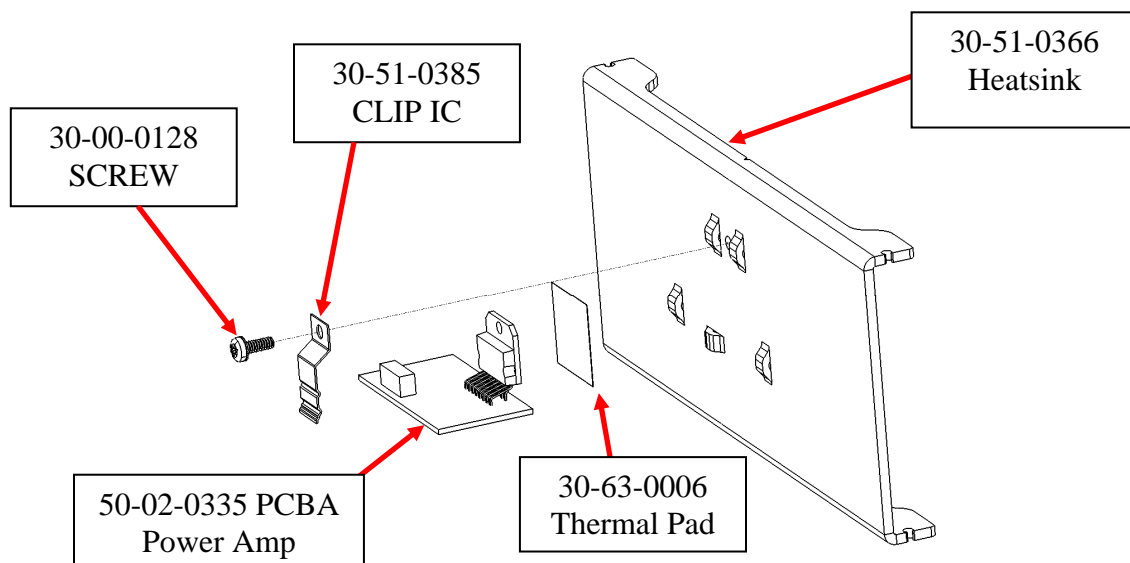
- 1 each **30-51-0366** HEATSINK
- 1 each **30-51-0385** CLIP IC SCREW-MOUNT
- 1 each **30-00-0128** SCREW 6-32 x 0.375 w/LK WASHER
- 1 each **30-63-0006** THERMAL PAD
- 1 each **50-02-0335** PCBA POWER AMP 75W
- 1 each **21-34-0120-1** CABLE ASSY 12-COND DIL

Connect one end of the CABLE ASSY 12-COND DIL to the J1B header on the PCBA POWER AMP.



Connect CABLE
ASSY here

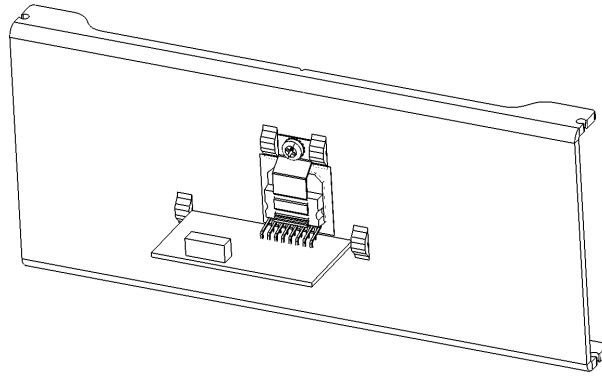
Assemble the heatsink/power amp 75W components as shown.





STEP 17 CONTINUED (for 112 model only)

Torque the SCREW to 8-10 inch-pounds. Apply loctite after tightening.



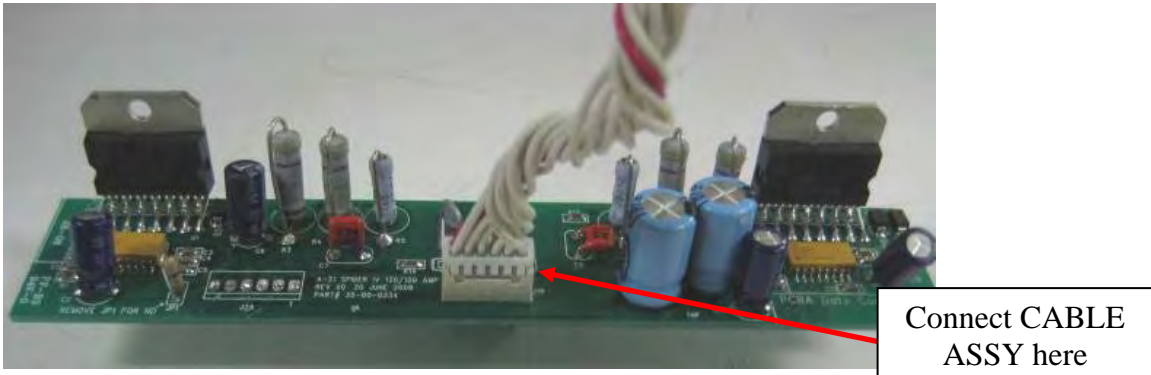
Reference view of completed sub-assembly

STEP 18 (for 210, 212 and HD150 models only)

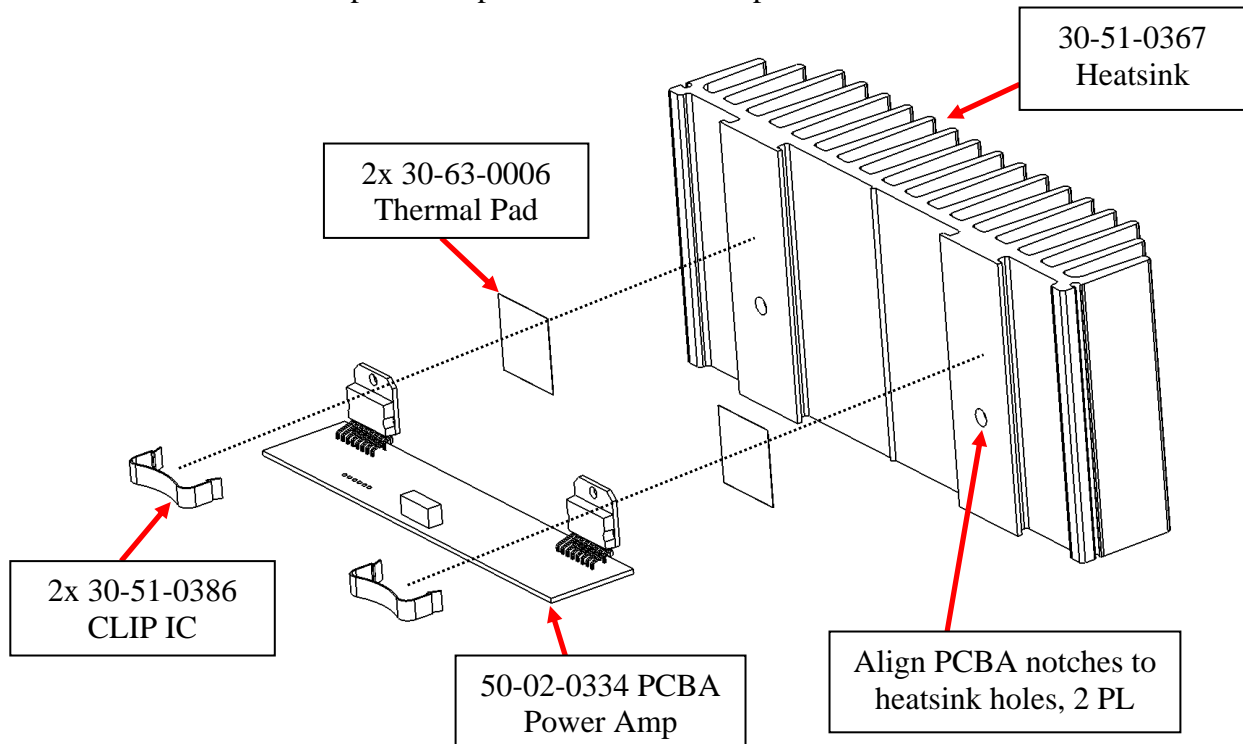
P/N required:

- 1 each **30-51-0367** HEATSINK
- 2 each **30-51-0386** CLIP IC SNAP
- 2 each **30-63-0006** THERMAL PAD
- 1 each **50-02-0334** PCBA POWER AMP 120W – 150W
- 1 each **21-34-0120-1** CABLE ASSY 12-COND DIL

Connect one end of the CABLE ASSY 12-COND DIL to the J1B header on the PCBA POWER AMP.

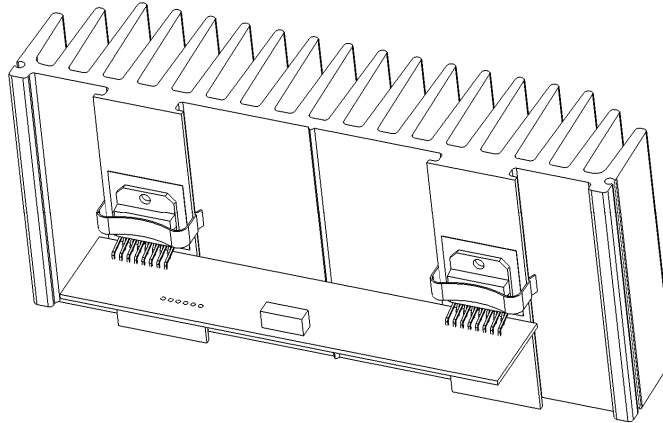


Assemble the heatsink/power amp 120W – 150W components as shown.





STEP 18 CONTINUED (for 210, 212 and HD150 models only)



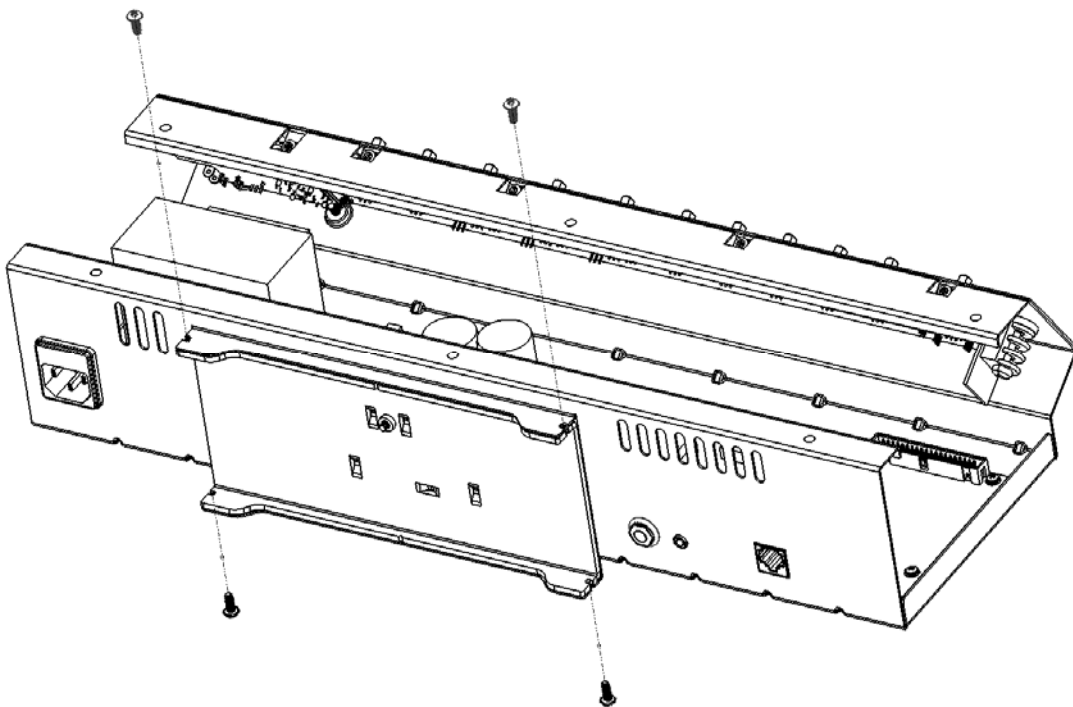
Reference view of completed sub-assembly

STEP 19 (for 112 model only)

P/N required:

4 each **30-00-9818** SCREW 6-32 x 3/16" w/EXT TOOTH LK WASHER BLK

112 Model: install the flat heatsink sub-assembly (from Step 17) into the CHASSIS.
Secure with four (4) SCREWS.



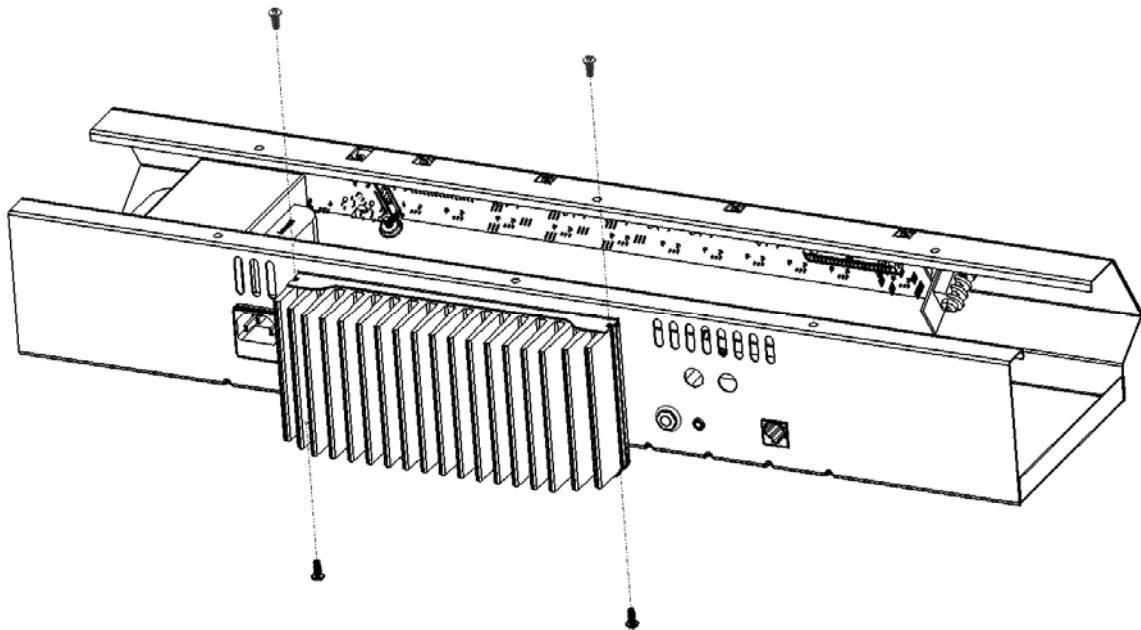
Turn screws until fully seated.

STEP 20 (for 210, 212 and HD150 models only)

P/N required:

4 each **30-00-0181** SCREW 6-32 x 0.375 SELF-TAP BLK

210, 212 and HD150 Models: install the finned heatsink sub-assembly (from Step 18) into the CHASSIS. Secure with four (4) SCREWS.



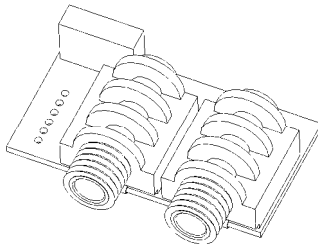
Turn screws until fully seated.

STEP 21 (for 212 and HD150 models only)

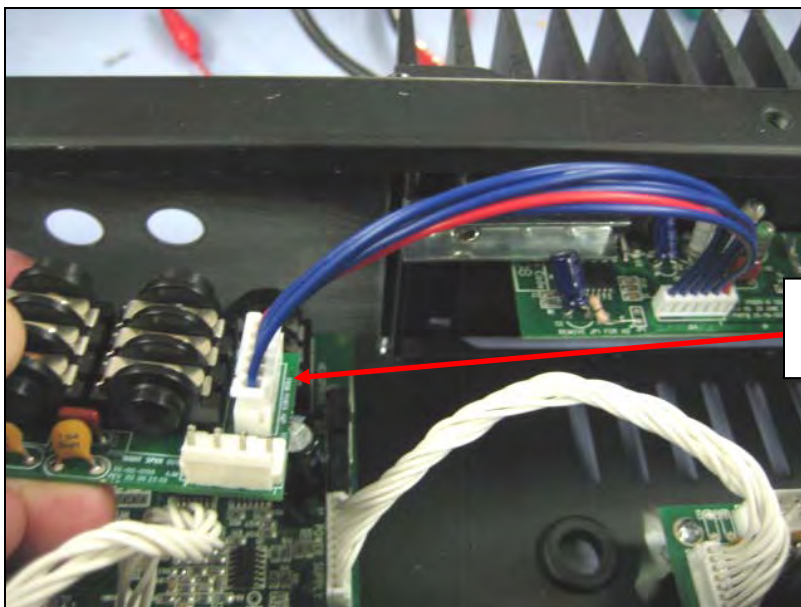
Note – this step is only required for the 212 and HD150 models. If building a 112 or 210 model, this step can be skipped.

P/N required:

1 each **50-02-0198** PCBA SPEAKER OUTS



Connect the free end of the 21-34-0131-1 CABLE ASSY to the header on the PCBA SPEAKER OUTS.



Connect free end of cable to
PCBA SPEAKER OUTS

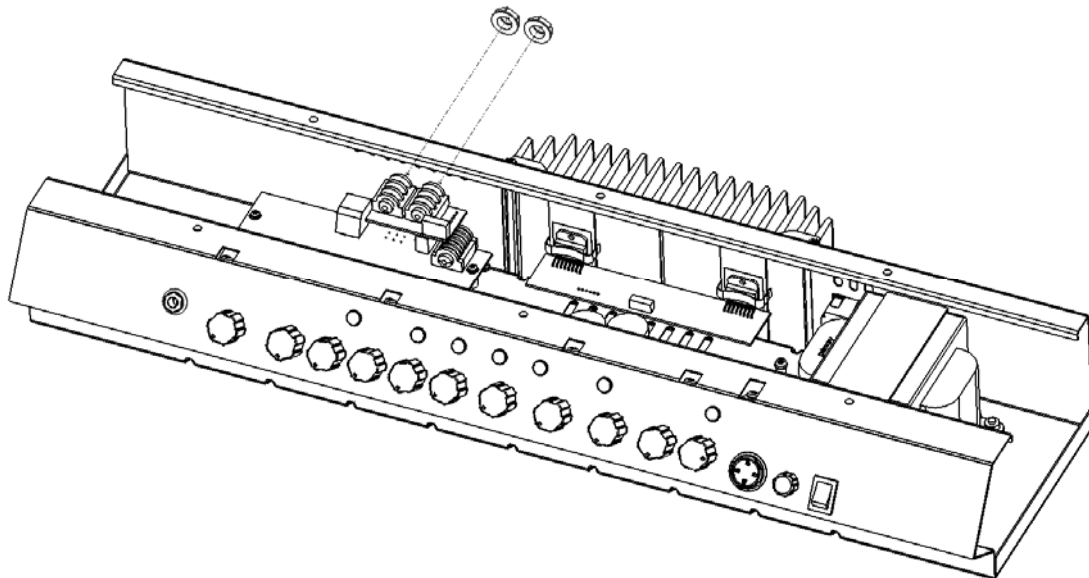
STEP 22 (for 212 and HD150 models only)

Note – this step is only required for the 212 and HD150 models. If building a 112 or 210 model, this step can be skipped.

P/N required:

2 each **BLK PLASTIC NUT** (included with 1/4" jack)

Insert the PCBA SPEAKER OUTS into the chassis, oriented as shown. Install the PLASTIC NUTS as shown below.



Torque each PLASTIC NUT to 4 – 5 inch-pounds.

STEP 23

P/N required:

1 each **21-34-0111** CABLE ASSY 6-COND

Connect the CABLE ASSY from header H2 on the PCBA GUITAR INPUT to header H3 on the PCBA MAIN.

Twist prior to installation.



STEP 24

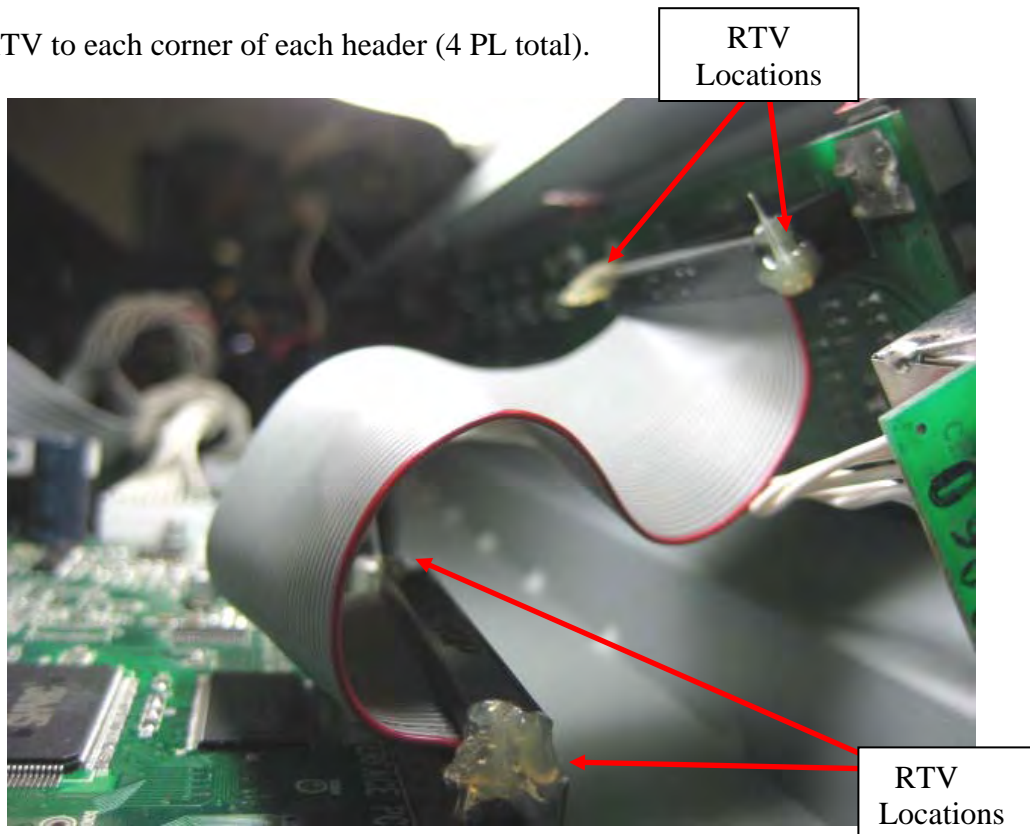
P/N required:

1 each **21-34-0090-1** CABLE ASSY RIBBON 40-POSITION

Connect the CABLE ASSY from header H7 on the PCBA UI to header H1 on the PCBA MAIN. Do not fold cable. **NOTE – PUSH FIRMLY AND CONFIRM HEADERS ARE FULLY SEATED AND SECURE BEFORE APPLYING RTV.**



Add RTV to each corner of each header (4 PL total).



STEP 25

P/N required:

1 each **21-34-0087-2** CABLE ASSY 10-COND

Connect the CABLE ASSY from header H1 on the PCBA POWER SUPPLY to header H4 on the PCBA MAIN.

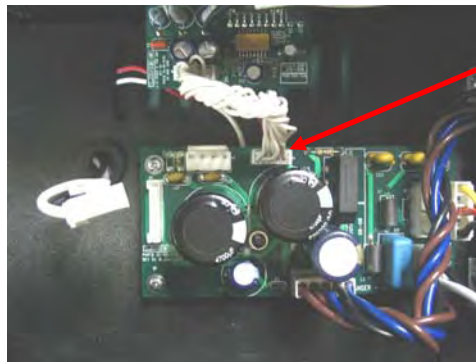
Twist prior to installation.



STEP 26

On the 112:

Connect the free end of the **21-34-0120-1** CABLE ASSY 12-COND DIL to header J1A on the PCBA POWER SUPPLY. Twist prior to installation.

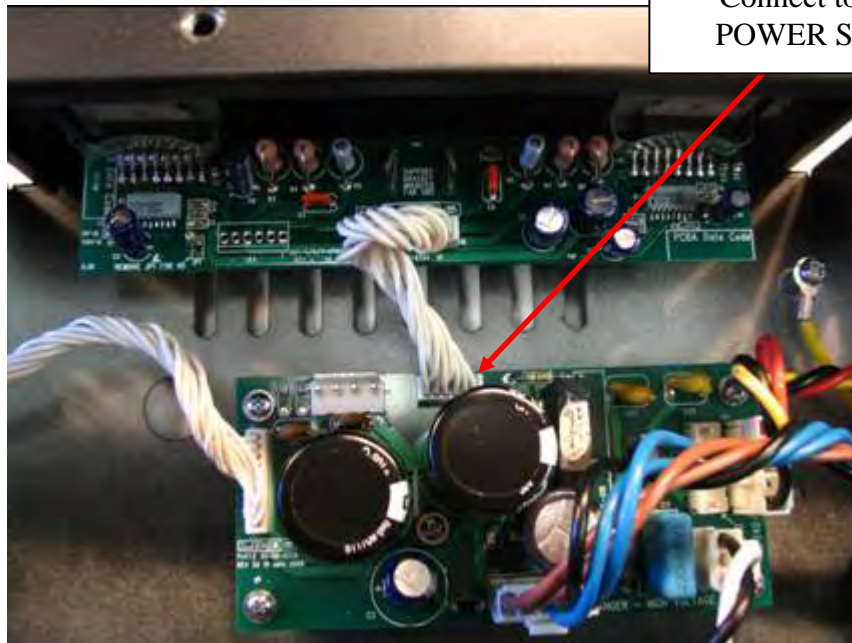


Connect to PCBA
POWER SUPPLY

On the 210, 212, HD150:

Connect the free end of the **21-34-0120-1** CABLE ASSY 12-COND DIL to header J1A on the PCBA POWER SUPPLY.

Twist prior to installation.



Connect to PCBA
POWER SUPPLY

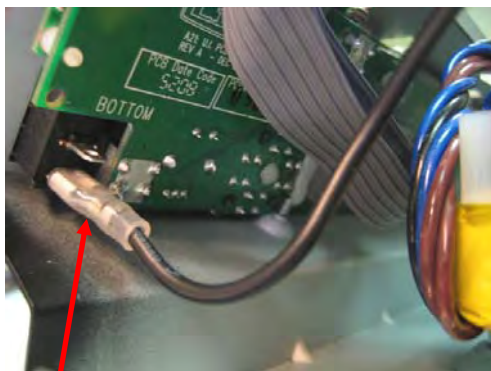
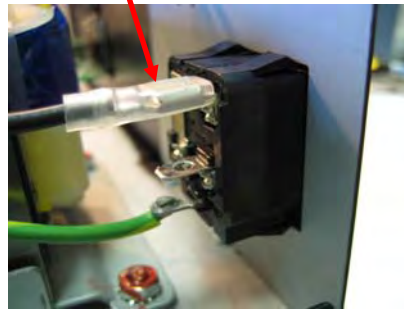
STEP 27 (112 Model ONLY)

P/N required:

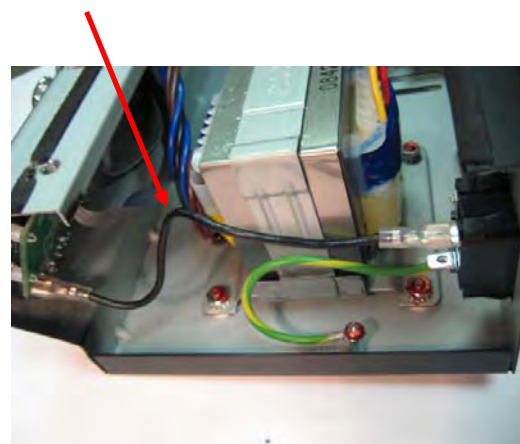
1 each **21-34-1022** CABLE ASSY 1-COND BLACK

Connect CABLE ASSY between upper terminal on the A/C receptacle and the lower terminal of power switch.

Upper terminal of A/C Receptacle



Lower terminal of power switch



STEP 28 (112 Model ONLY)

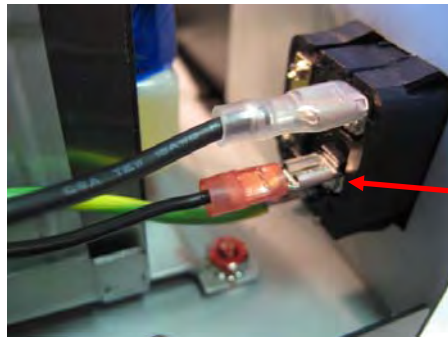
P/N required:

1 each **21-34-0121-1** CABLE ASSY 3-PIN 2-COND

Connect the header end of the CABLE ASSY to header H5 on the PCBA POWER SUPPLY.



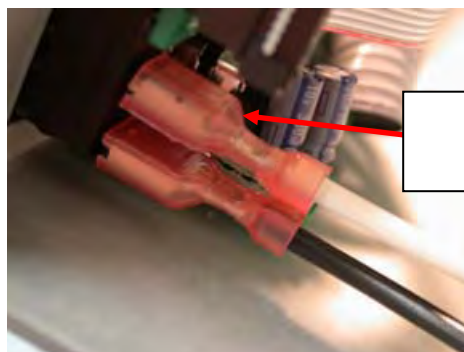
Connect the black wire to the middle terminal on the A/C receptacle.



Connect black wire to middle terminal of A/C Receptacle.

Note – terminal should have insulator jacket.

Connect the white wire to the upper terminal on the power switch.



Connect white wire to upper terminal of power switch

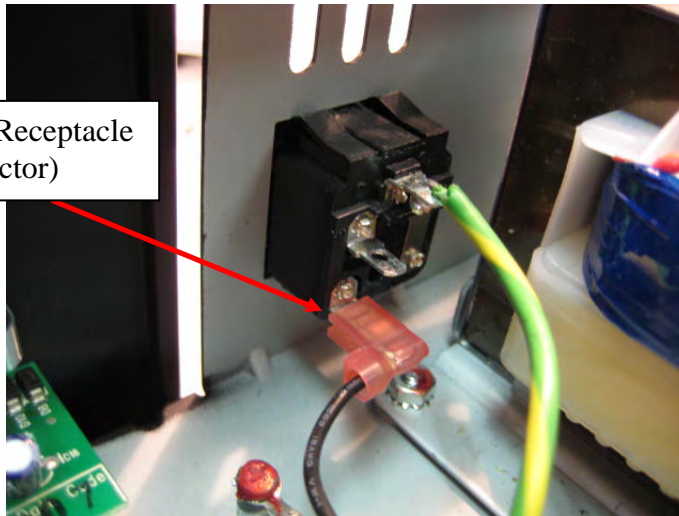
STEP 29 (210, 212, HD150 Models ONLY)

P/N required:

1 each **21-34-1024-1** CABLE ASSY 1-COND BLACK

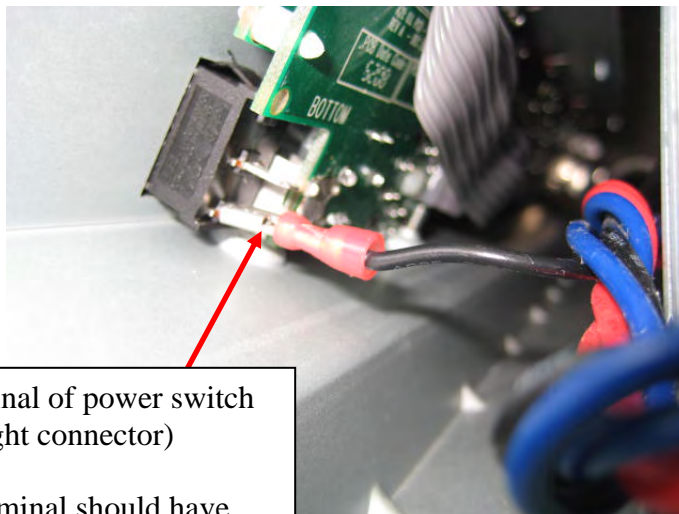
Connect the right-angle connector of the CABLE ASSY to the lower terminal on the A/C receptacle. Connect the straight connector of the CABLE ASSY to the lower terminal of power switch.

Lower terminal of A/C Receptacle
(right angle connector)



Lower terminal of power switch
(straight connector)

Note – terminal should have
insulator jacket.



STEP 30 (210, 212, HD150 Models ONLY)

P/N required:

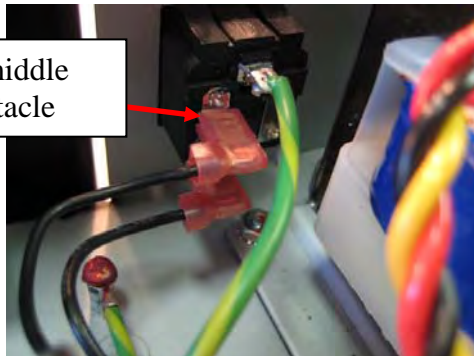
1 each **21-34-0122-1** CABLE ASSY 3-PIN 2-COND

Connect the header end of the CABLE ASSY to header H5 on the PCBA POWER SUPPLY.



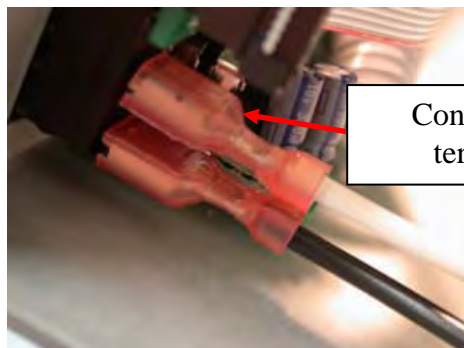
Connect the black wire (w/right-angle connector) to the middle terminal on the A/C receptacle.

Connect black wire to middle terminal of A/C Receptacle



Connect the white wire to the upper terminal on the power switch.

Connect white wire to upper terminal of power switch

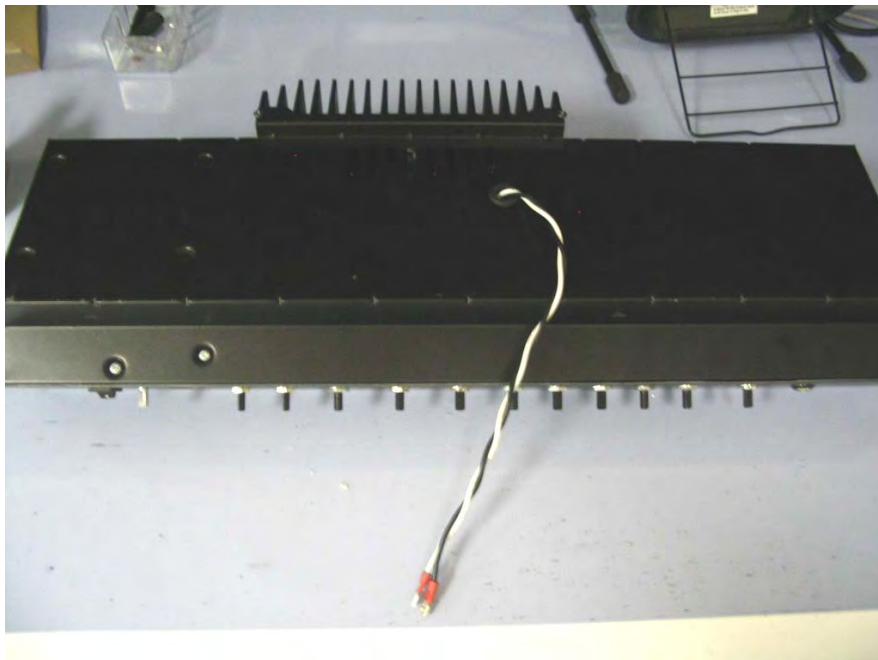
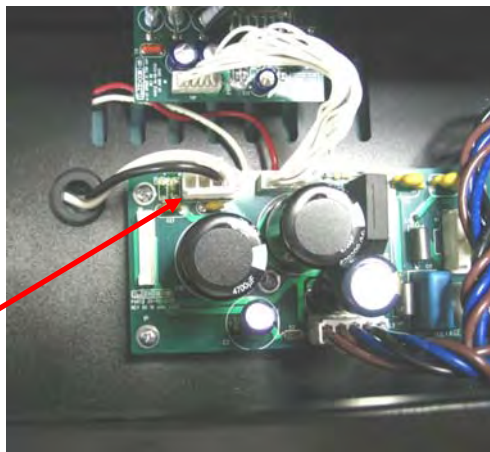


STEP 31 (112 Model ONLY)

P/N required:

1 each **21-34-0037** CABLE ASSY

Connect the header end of the CABLE ASSY to header H6 on the PCBA POWER SUPPLY. Route the two (2) wires through the GROMMET so that they are dangling outside the chassis assembly.



STEP 32 (210 Model ONLY)

P/N required:
1 each **21-34-0020-2** CABLE ASSY

On the 210:

Connect the header end of the CABLE ASSY to header H6 on the PCBA POWER SUPPLY. Route the four (4) wires through the GROMMET so that they are dangling outside the chassis assembly.



STEP 33 (212 Model ONLY)

P/N required:

1 each **21-34-0020-2** CABLE ASSY

On the 212 Model:

Connect the header end of the CABLE ASSY to PCBA SPEAKER OUTS. Route the four (4) wires through the GROMMET so that they are dangling outside the chassis assembly.



Connect header to PCBA
SPEAKER OUTS



On the HD150 Model:

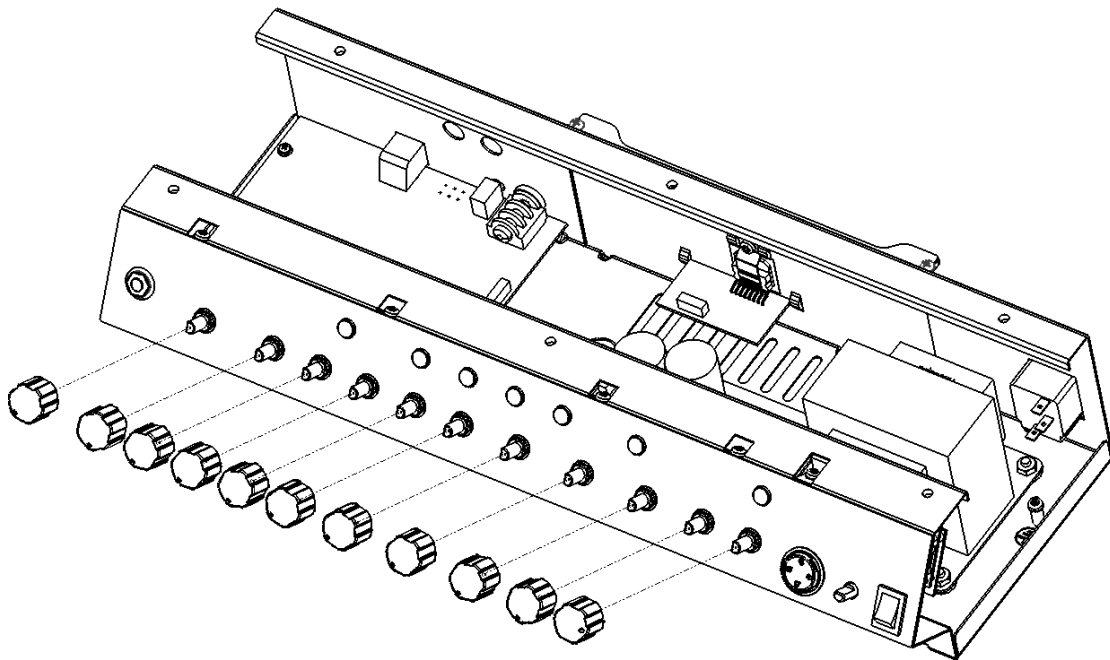
This cable is not required. Do not install.

STEP 34

P/N required:
11 each **30-45-0023** KNOB

Insert one (1) KNOB over each potentiometer shaft.

Push each KNOB until fully seated.



STEP 35

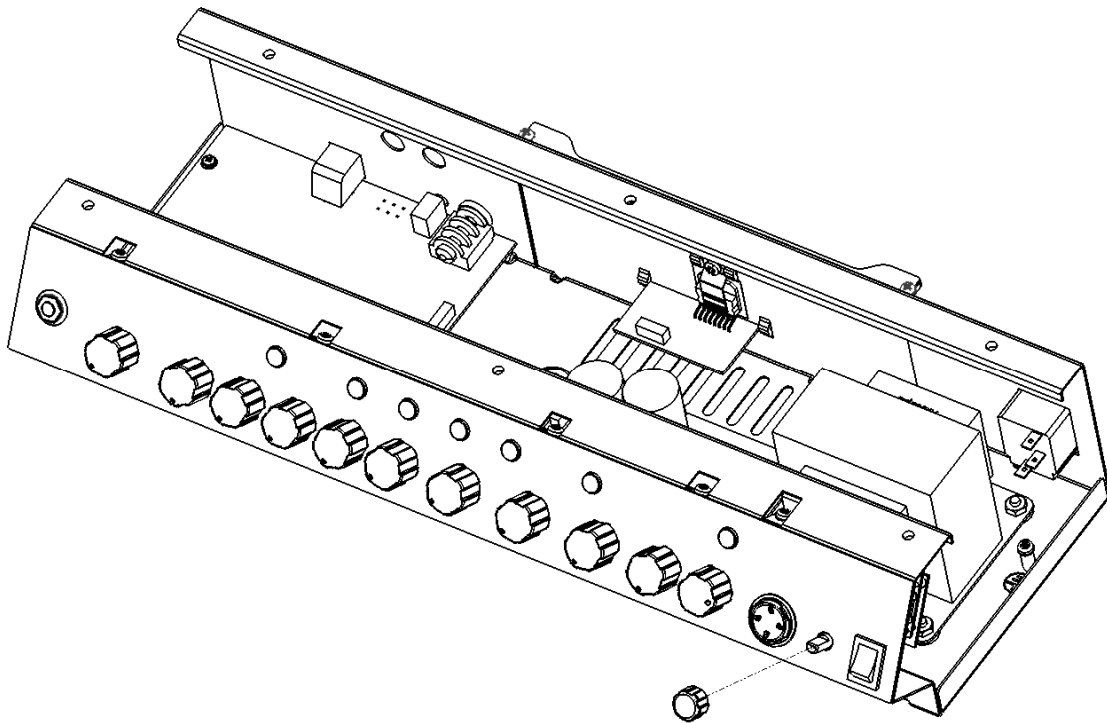
P/N required:

1 each **30-45-0027** KNOB

Insert the KNOB over the encoder shaft.

Push the KNOB until fully seated.

Note – If the 30-45-0027 Knob is not available for production, part number 30-27-0222-1 can be used as an alternate. Reference ECO 0907101.

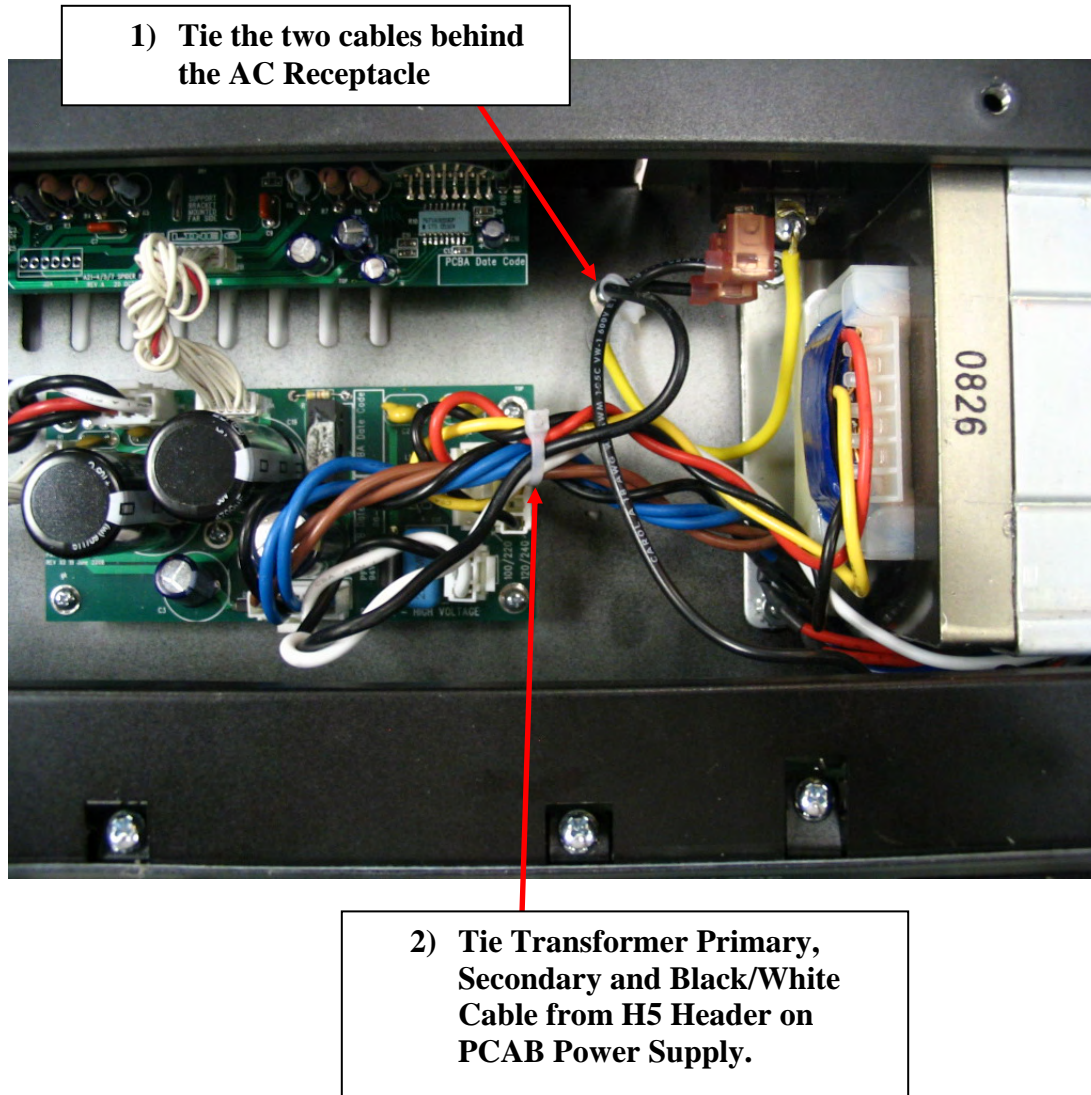


STEP 36

P/N required:

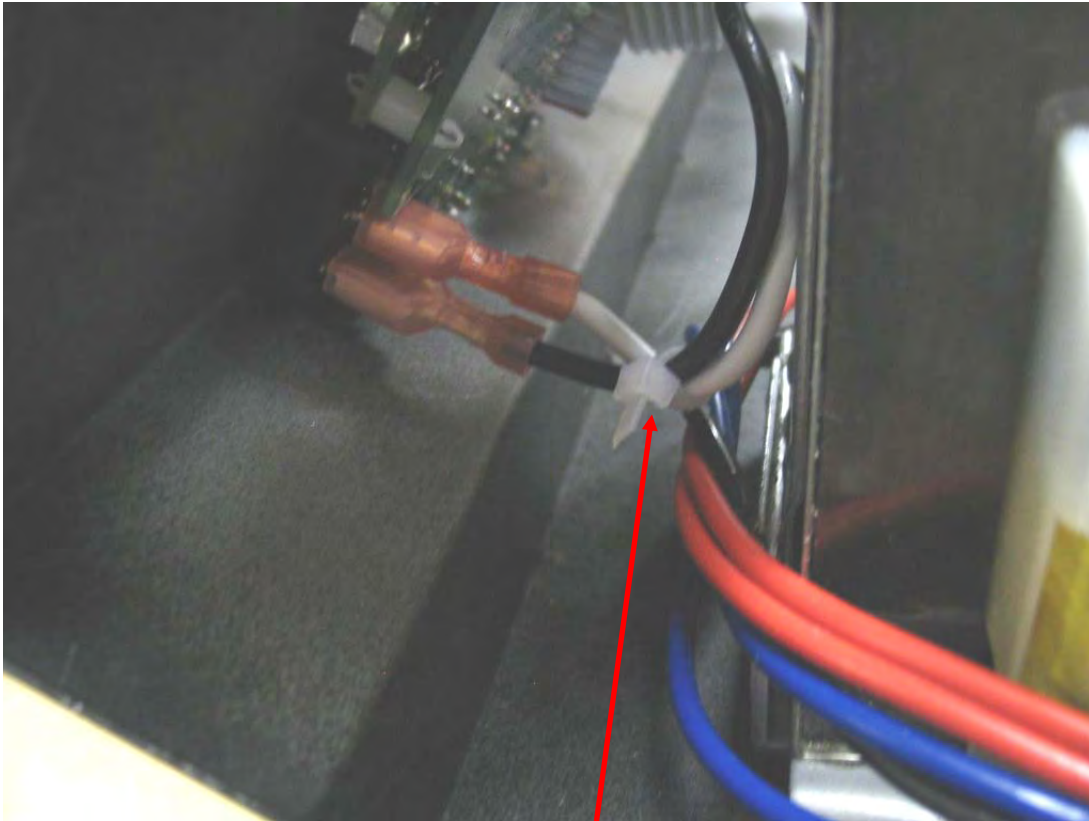
3 each **30-24-0003** CABLE TIE

Install cable ties in the indicated locations. Trim and remove excess.



Step 36 is continued on next page

STEP 36 CONT'D



**3) Tie black and white cables
behind ROCKER SWITCH**

STEP 37

P/N required:

For 112:

1 each **30-63-0030-4** FOAM w/ADHESIVE 1-SIDE 18.25" x .25" x .15"

For 210:

1 each **30-63-0030-5** FOAM w/ADHESIVE 1-SIDE 21.7" x .25" x .15"

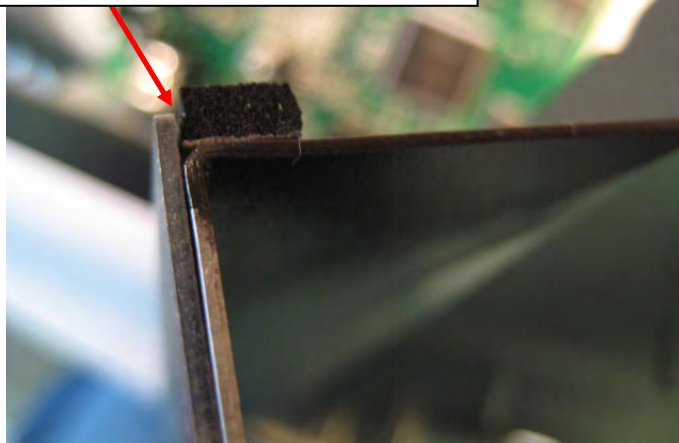
For 212 and HD150:

1 each **30-63-0030-6** FOAM w/ADHESIVE 1-SIDE 25.1" x .25" x .15"

Install under chassis in the position shown. Front edge of FOAM should be flush with the front face of the CHASSIS.



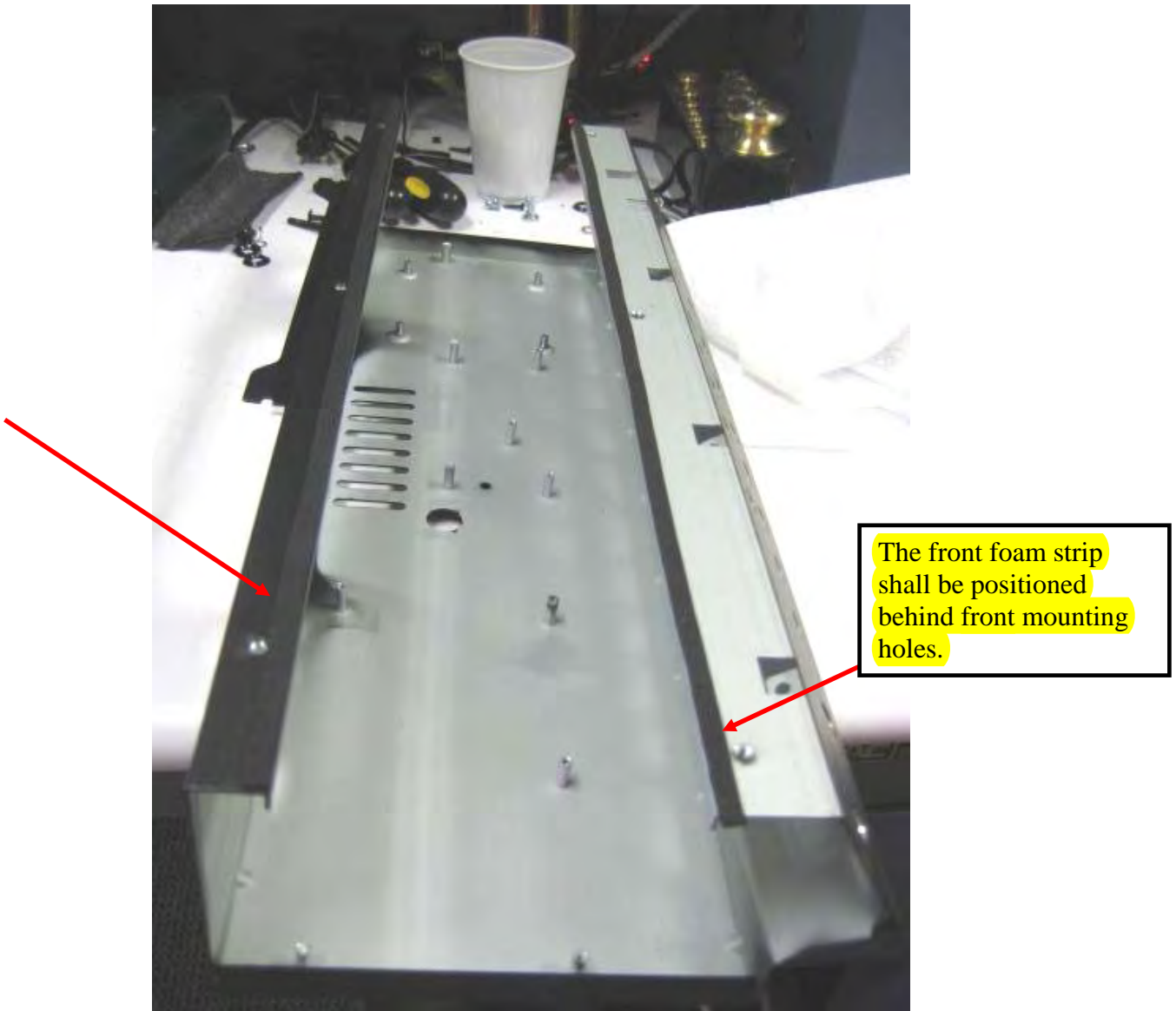
FOAM should be tucked behind Overlay



STEP 38a

P/N required:
2 each **30-63-0010** FOAM w/ADH VOLARAPOLOEFIN

Install FOAM as shown. Trim and discard any excess material.

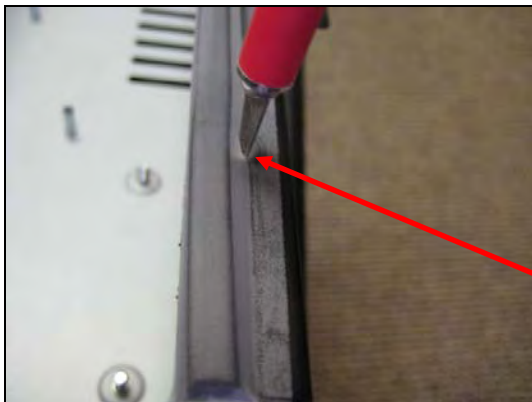
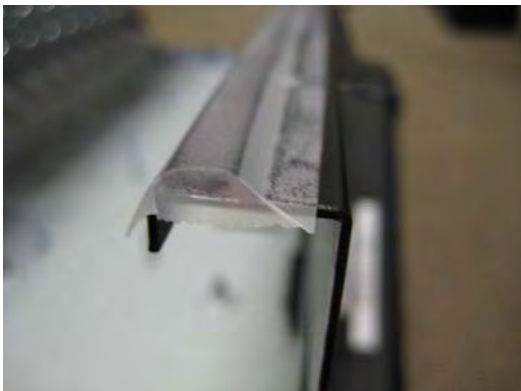


STEP 38b

P/N required:
13-19.5mm wide CLEAR SCOTCH TAPE (no Line 6 part number).

Install CLEAR SCOTCH TAPE as shown over foam strips.

Note – the front foam strip will be positioned behind front mounting holes (different than this picture).



Cut tape above mounting holes



STEP 39

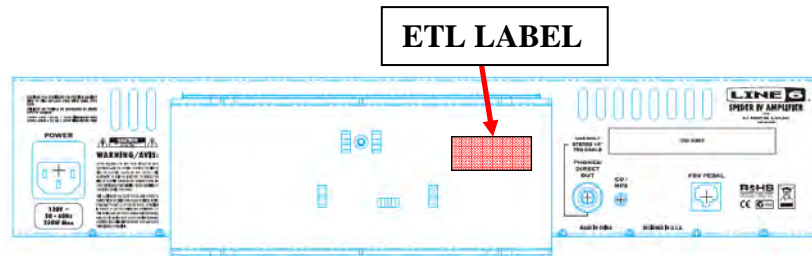
P/N required:
1 each **ETL LABEL**



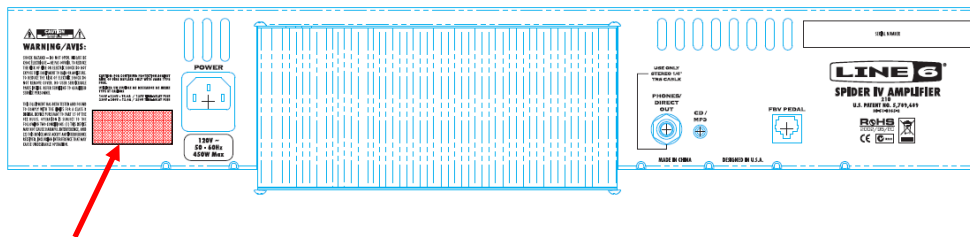
Note – Line 6 must complete all safety certification testing before the ETL label can be applied. Do not apply ETL label until an ECO has been issued to add the label.

Apply the ETL LABEL in the approximate location shown.

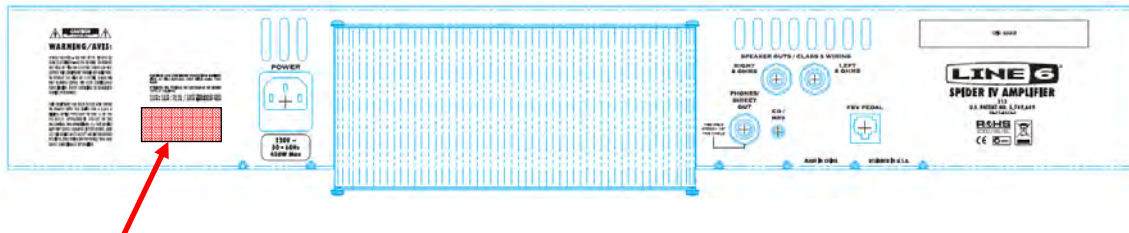
112:



210:



212/HD150:



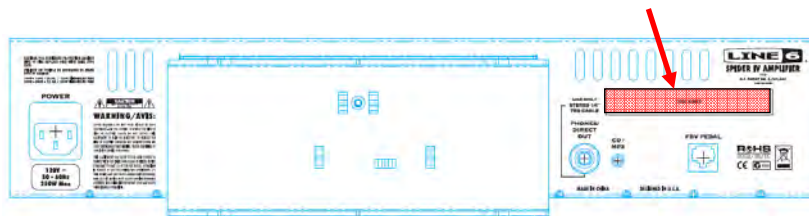


STEP 40

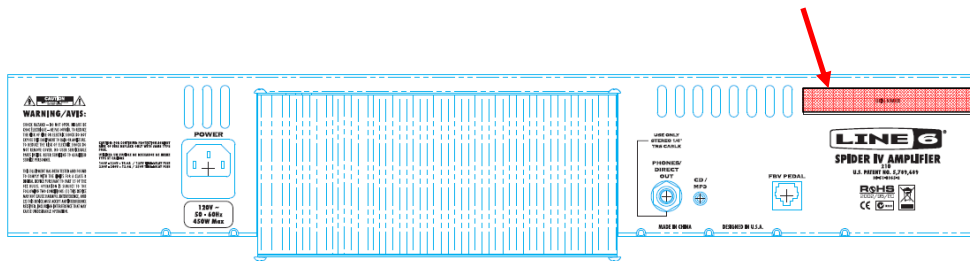
P/N required:
1 each **40-25-0100 LABEL BAR CODE S/N 4-PNL**

Apply the LABEL BAR CODE in the box labeled 'Serial Number' on the silkscreen.

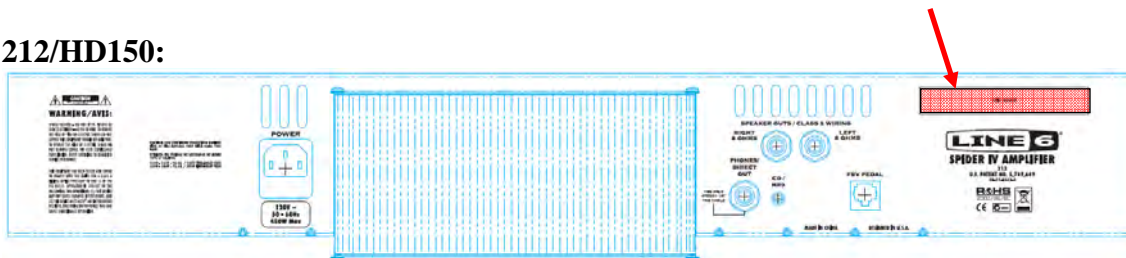
112:



210:

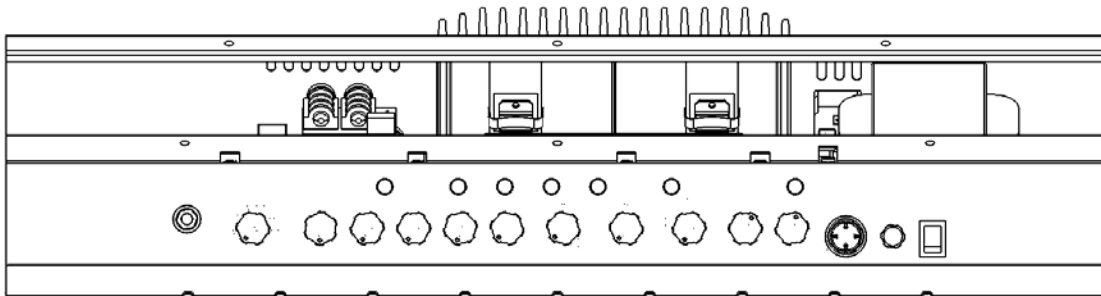
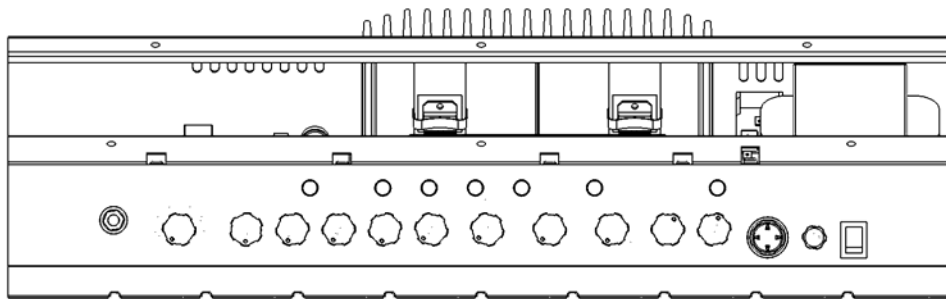
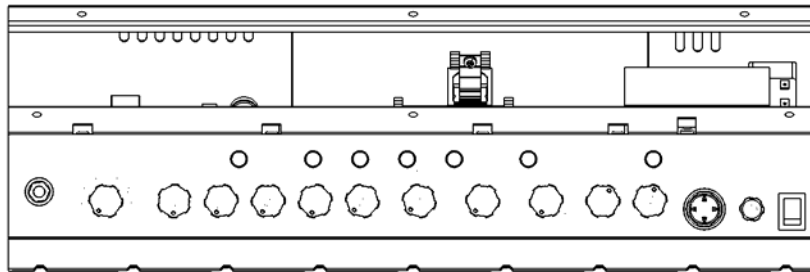


212/HD150:



The Spider IV Chassis Assemblies are now complete.

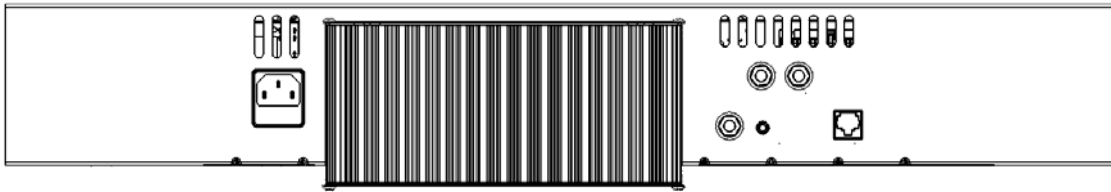
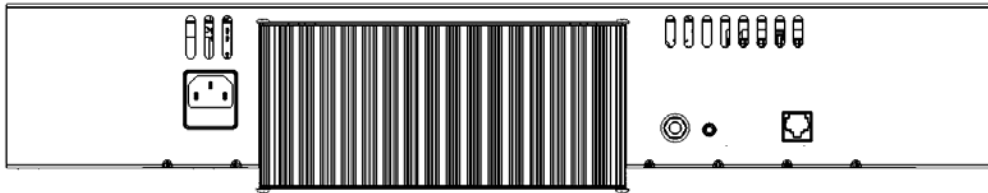
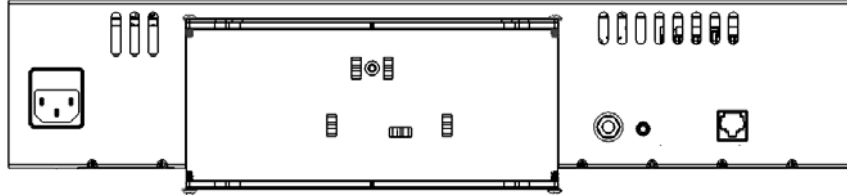
Completed Views (Reference)



Completed Views (Reference)



Completed Views (Reference)



Completed Views (Reference)