

Service Manual

SR-18 U, K, KS

AV Surround Receiver

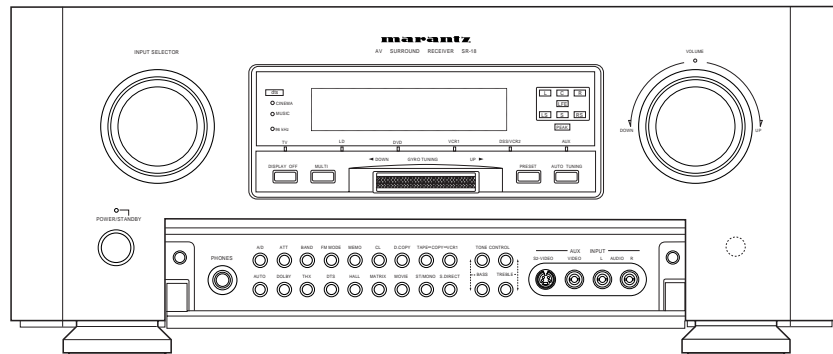


TABLE OF CONTENTS

SECTION	PAGE
1. TECHNICAL SPECIFICATIONS	1
2. WIRING DIAGRAM	3
3. BLOCK DIAGRAM	5
4. SCHEMATIC DIAGRAM	7
5. PARTS LOCATION (Pattern Side)	25
6. IC DATA	45
7. EXPLODED VIEW AND PARTS LIST	53
8. SERVICE PROGRAM	57
9. ELECTRICAL ADJUSTMENTS	59
10. ALIGNMENT PROCEDURES	61
11. TROUBLE SHOOTING	63
12. TECHNICAL DESCRIPTION FOR DECODER	66
13. ELECTRICAL PARTS LIST	68

Please use this service manual with referring to the user guide (D.F.U) without fail.

marantz®

model SR-18

MARANTZ DESIGN AND SERVICE

Using superior design and selected high grade components, **MARANTZ** company has created the ultimate in stereo sound. Only original **MARANTZ** parts can insure that your **MARANTZ** product will continue to perform to the specifications for which it is famous.

Parts for your **MARANTZ** equipment are generally available to our National Marantz Subsidiary or Agent.

ORDERING PARTS :

Parts can be ordered either by mail or by Fax.. In both cases, the correct part number has to be specified.

The following information must be supplied to eliminate delays in processing your order :

1. Complete address
2. Complete part numbers and quantities required
3. Description of parts
4. Model number for which part is required
5. Way of shipment
6. Signature : any order form or Fax. must be signed, otherwise such part order will be considered as null and void.

USA

MARANTZ AMERICA, INC.
440 MEDINAH ROAD
ROSELLE, ILLINOIS 60172
USA
PHONE : 630 - 307 - 3100
FAX : 630 - 307 - 2687

EUROPE / TRADING

MARANTZ EUROPE B.V.
P.O.BOX 80002, BUILDING SFF2
5600 JB EINDHOVEN
THE NETHERLANDS
PHONE : +31 - 40 - 2732241
FAX : +31 - 40 - 2735578

BRAZIL

MARANTZ BRAZIL
CAIXA POSTAL 21462
CEP 04698-970
SAO PAULO, SP, BRAZIL
PHONE : 0800 - 123123(Discagem Direta Gratuita)
FAX : +55 11 534. 8988

PROFESSIONAL AMERICAS

SUPERSCOPE TECHNOLOGIES, INC.
MARANTZ PROFESSIONAL PRODUCTS
2640 WHITE OAK CIRCLE, SUITE A
AURORA, ILLINOIS 60504 USA
PHONE : 630 - 820 - 4800
FAX : 630 - 820 - 8103

CANADA

LENBROOK INDUSTRIES LIMITED
633 GRANITE COURT,
PICKERING, ONTARIO L1W 3K1
CANADA
PHONE : 905 - 831 - 6333
FAX : 905 - 831 - 6936

AUSTRALIA

SCAN AUDIO PTY. LTD.
52 CROWN STREET, RICHMOND 3121
VICTORIA
AUSTRALIA
PHONE : +61 - 3 - 9429 - 2199
FAX : +61 - 3 - 9429 - 9309

THAILAND

MRZ STANDARD CO.,LTD
746 - 754 MAHACHAI ROAD.,
WANGBURAPAPIROM, PHRANAKORN,
BANGKOK, 10200 THAILAND
PHONE : +66 - 2 - 222 9181
FAX : +66 - 2 - 224 6795

SINGAPORE

WO KEE HONG (S) PTE LTD
WO KEE HONG CENTRE
NO.23, LORONG 8, TOA PAYOH
SINGAPORE 319257
PHONE : +65 2544555
FAX : +65 2502213

NEW ZEALAND

SCAN AUDIO PTY. LTD.
8C PIERMARK DRIVE, ALBANY.
NORTH SHORE, AUCKLAND.
NEW ZEALAND
PHONE : +64 - 9444 - 4710
FAX : +64 - 9444 - 1346

TAIWAN

PAI- YUING CO., LTD.
6 TH FL NO, 148 SUNG KIANG ROAD,
TAIPEI, 10429, TAIWAN R.O.C.
PHONE : +886 - 2 - 25221304
FAX : +886 - 2 - 25630415

MALAYSIA

WO KEE HONG ELECTRONICS SDN. BHD.
NO. 102 JALAN SS 21/35, DAMANSARA
UTAMA, 47400 PETALING JAYA
SELANGOR DARUL EHSAN, MALAYSIA
PHONE : +60 3 - 7184666
FAX : +60 3 - 7173828

JAPAN *Technical*

MARANTZ JAPAN, INC.
35- 1, 7- CHOME, SAGAMIONO
SAGAMIHARA - SHI, KANAGAWA
JAPAN 228-8505
PHONE : +81 42 748 1013
FAX : +81 42 748 9190

日本マランツ株式会社

本社 〒228-8505
神奈川県相模原市相模大野7-35-1
営業本部 〒150-0022
東京都渋谷区恵比寿南1-11-9

KOREA

MK ENTERPRISES LTD.
ROOM 604/605, ELECTRO-OFFICETEL, 16-58,
3GA, HANGANG-RO, YONGSAN-KU, SEOUL
KOREA
PHONE : +822 - 3232 - 155
FAX : +822 - 3232 - 154

SHOCK, FIRE HAZARD SERVICE TEST :

CAUTION : After servicing this appliance and prior to returning to customer, measure the resistance between either primary AC cord connector pins (with unit NOT connected to AC mains and its Power switch ON), and the face or Front Panel of product and controls and chassis bottom.

Any resistance measurement less than 1 Megohms should cause unit to be repaired or corrected before AC power is applied, and verified before it is return to the user/customer.

Ref. UL Standard N0. 1492.

In case of difficulties, do not hesitate to contact the Technical
Department at above mentioned address.

1. TECHNICAL SPECIFICATIONS

FM TUNER SECTION

Frequency Range 87.5 – 108.0 MHz
Usable Sensitivity IHF 1.8 μ V/16.4 dBf
Signal to Noise Ratio Mono/Stereo 76/72 dB
Distortion Mono/Stereo 0.2 / 0.3 %
Stereo Separation 1 kHz 45 dB
Alternate Channel Selectivity \pm 400 kHz 60 dB (U version)
 \pm 300 kHz 60 dB (K, KS version)
Image Rejection 98 MHz 70dB
Tuner Output Level 1 kHz, 75 kHz Dev 800 mV (U version)
1 kHz, 40 kHz Dev 800 mV (K, KS version)

AM TUNER SECTION

Frequency Range 520 – 1710 kHz (U version)
531 – 1602 or 520 – 1710 kHz (K version)
531 – 1602 kHz (KS version)
Signal to Noise Ratio 50 dB
Usable Sensitivity Loop 400 μ V
Distortion 400 Hz, 30% Mod. 0.5%
Selectivity \pm 20 kHz 70 dB (U version)
 \pm 18 kHz 70 dB (K, KS version)

AUDIO SECTION

Rated Power
Stereo Mode FRONT (20 Hz – 20 kHz) 8 ohms 140W / Ch (2ch driven)
Center (40 Hz – 20 kHz) 8 ohms 140W / Ch
Surround 8 ohms 140W / Ch
THD Front (20 Hz – 20 kHz) 8 ohms 0.05%
Input Sensitivity/Impedance
Linear 350mV/47 kohms
Signal to Noise Rate (IHF A)
Linear 85 dB
Dolby Surround Adjacent Channels Separation 55 dB

VIDEO

Television Format NTSC (U version)
PAL/NTSC (K, KS version)
Input Level/Impedance 1 Vp-p/75 ohms
Output Level/Impedance 1 Vp-p/75 ohms
Video Frequency Response 5 Hz to 8 MHz (– 1 dB)
S/N 60 dB

GENERAL

Power Requirement AC 120V 60 Hz (U version)
AC 220 50/60 Hz (K version)
AC 230V 50 Hz (KS version)
Power Consumption 470W
Dimension (MAX)
Width 18 inches (458 mm)
Height 7- $\frac{1}{2}$ inches (190 mm)
Depth 19- $\frac{1}{2}$ inches (496 mm)
Weight 49.7 lds. (22.5 kg)

ACCESSORIES

Remote Control Unit RC-18SR 1

Dolby Digital(AC-3) SECTION

Output Level (Master Volume is set 0dB)
Front L/R, CENTER, SURROUND L/R
1 KHz, 0 dB FS INPUT 1.1V
SUBWOOFER
40 Hz, 0 dB FS INPUT 3.8V

Frequency Response

Front L/R, CENTER, SURROUND L/R (LARGE)
20 Hz – 20 KHz -1dB

Total Harmonic Distortion

Front L/R, CENTER, SURROUND L/R (1 KHz) 0.01% or less
SUBWOOFER (40 Hz) 0.07% or less
Signal to Noise Ratio (IHF-A) 96 dB
Channel Separation (1 KHz) 70 dB

Specifications subject to change without prior notice.

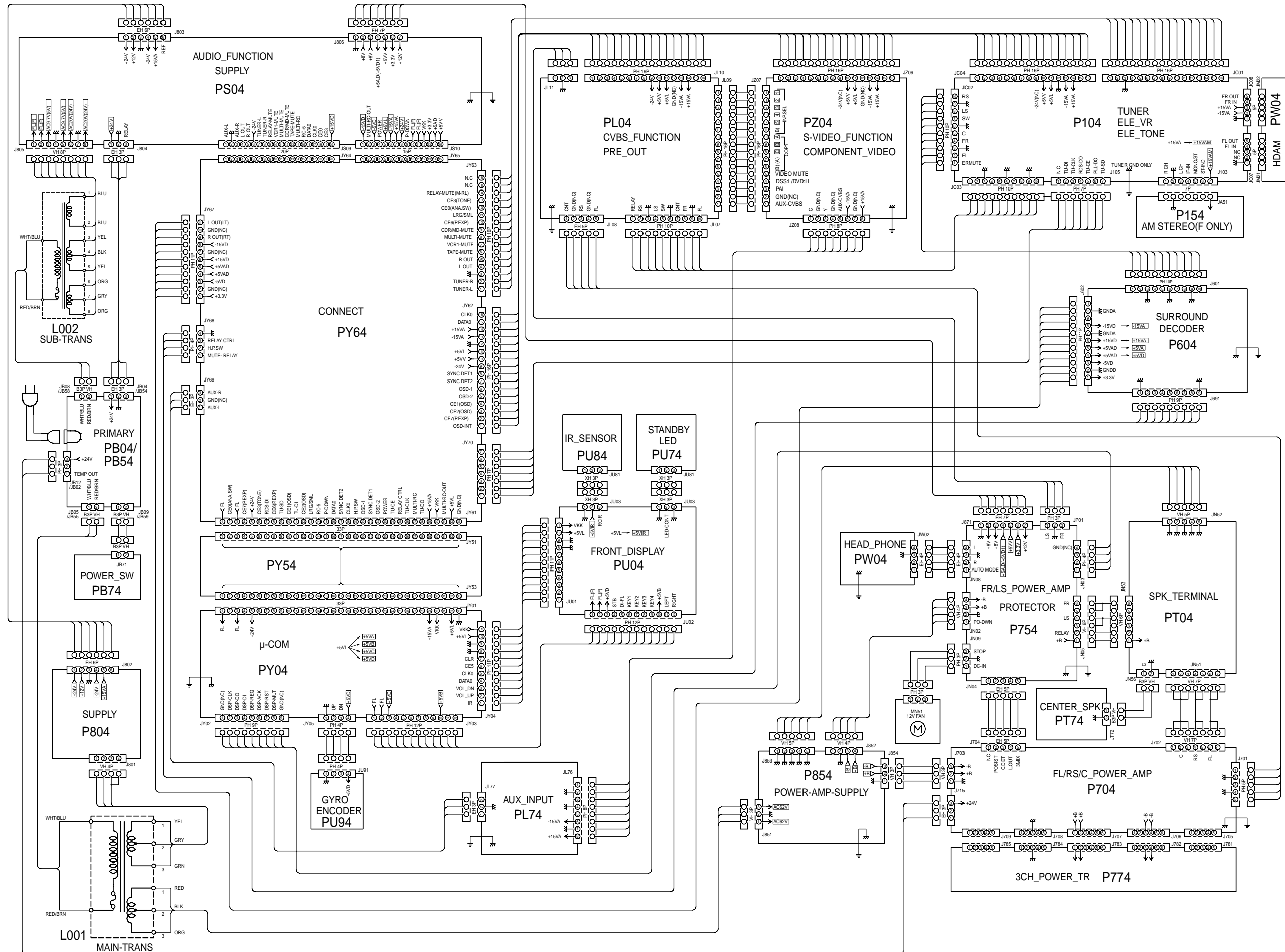
Remark : Bass signal output from Sub Woofer terminal for SR-18

Sub woofer output is not active while all surround modes. Please refer to the following table.

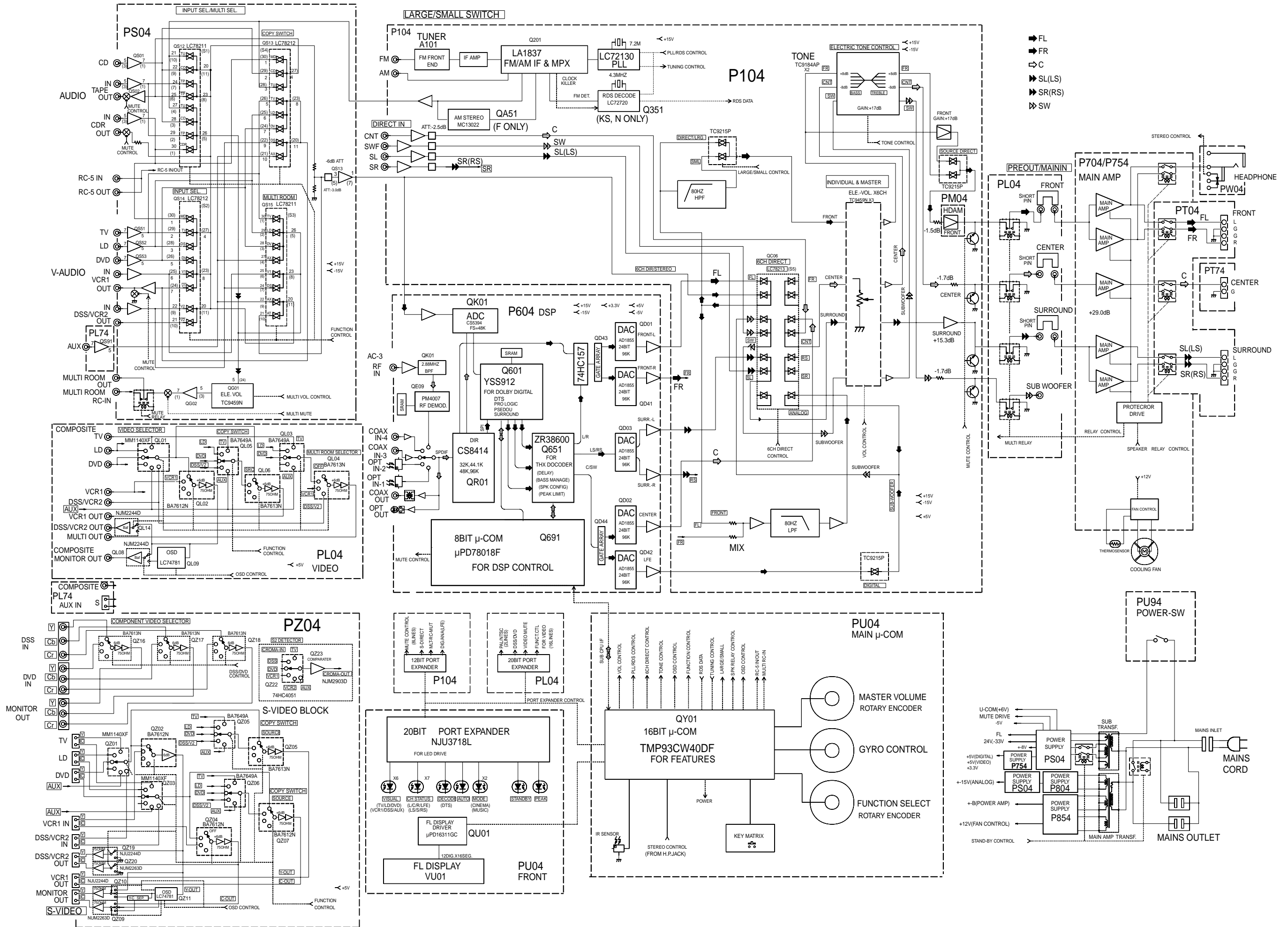
SPK setup				SubWoofer Output by Surround mode										
Sub Woofer	Front	Center	Rear	THX cinema (5.1ch decoding)	DOLBY or DTS (5.1ch decoding)	THX cinema (Pro Logic decoding)	DOLBY (Pro Logic decoding)	STEREO	AUTO (5.1ch decoding)	AUTO (Stereo decoding)	Mono			
ON	Large	Large	Large	LFE	LFE	none	none	L+R	LFE	L+R	none			
			Small	LFE+LS+RS	LFE+LS+RS	none	none	L+R	LFE+LS+RS	L+R	none			
			None	LFE	LFE	none	none	L+R	LFE	L+R	none			
		Small	Large	LFE+C	LFE+C	C	C	L+R	LFE+C	L+R	C			
			Small	LFE+C+LS+RS	LFE+C+LS+RS	C	C	L+R	LFE+C+LS+RS	L+R	C			
			None	LFE+C	LFE+C	C	C	L+R	LFE+C	L+R	C			
		None	Large	LFE	LFE	none	none	L+R	LFE	L+R	none			
			Small	LFE+LS+RS	LFE+LS+RS	none	none	L+R	LFE+LS+RS	L+R	none			
			None	LFE	LFE	none	none	L+R	LFE	L+R	none			
		Small	Large	Large	LFE+L+R	LFE+L+R	L+R	L+R	L+R	LFE+L+R	L+R	none		
				Small	LFE+L+R+LS+RS	LFE+L+R+LS+RS	L+R	L+R	L+R	LFE+L+R+LS+RS	L+R	none		
				None	LFE+L+R	LFE+L+R	L+R	L+R	L+R	LFE+L+R	L+R	none		
	Small		Large	LFE+L+R+C	LFE+L+R+C	L+R+C	L+R+C	L+R	LFE+L+R+C	L+R	C			
			Small	LFE+L+R+C+LS+RS	LFE+L+R+C+LS+RS	L+R+C	L+R+C	L+R	LFE+L+R+C+LS+RS	L+R	C			
			None	LFE+L+R+C	LFE+L+R+C	L+R+C	L+R+C	L+R	LFE+L+R+C	L+R	C			
	None		Large	LFE+L+R	LFE+L+R	L+R	L+R	L+R	LFE+L+R	L+R	C			
			Small	LFE+LS+RS	LFE+LS+RS	L+R	L+R	L+R	LFE+LS+RS	L+R	C			
			None	LFE+L+R	LFE+L+R	L+R	L+R	L+R	LFE+L+R	L+R	C			
	OFF		Large	Large	Large	none	none	none	none	none	none	none	none	
					Small	none	none	none	none	none	none	none	none	
					None	none	none	none	none	none	none	none	none	
		Small		Large	none	none	none	none	none	none	none	none	none	
				Small	none	none	none	none	none	none	none	none	none	
				None	none	none	none	none	none	none	none	none	none	
		None		Large	Large	none	none	none	none	none	none	none	none	none
					Small	none	none	none	none	none	none	none	none	none
					None	none	none	none	none	none	none	none	none	none
Small				Large	Prohibited	Prohibited	Prohibited	Prohibited	Prohibited	Prohibited	Prohibited	Prohibited	Prohibited	
				Small	Prohibited	Prohibited	Prohibited	Prohibited	Prohibited	Prohibited	Prohibited	Prohibited	Prohibited	
				None	Prohibited	Prohibited	Prohibited	Prohibited	Prohibited	Prohibited	Prohibited	Prohibited	Prohibited	
None			Large	Large	Prohibited	Prohibited	Prohibited	Prohibited	Prohibited	Prohibited	Prohibited	Prohibited	Prohibited	
				Small	Prohibited	Prohibited	Prohibited	Prohibited	Prohibited	Prohibited	Prohibited	Prohibited	Prohibited	
				None	Prohibited	Prohibited	Prohibited	Prohibited	Prohibited	Prohibited	Prohibited	Prohibited	Prohibited	
None		Small	Large	Prohibited	Prohibited	Prohibited	Prohibited	Prohibited	Prohibited	Prohibited	Prohibited	Prohibited		
			Small	Prohibited	Prohibited	Prohibited	Prohibited	Prohibited	Prohibited	Prohibited	Prohibited	Prohibited		
			None	Prohibited	Prohibited	Prohibited	Prohibited	Prohibited	Prohibited	Prohibited	Prohibited	Prohibited		

Note : These configuration have been effective since the version of main CPU (QY01) is 990531 & the version of sub CPU (Q691) is 990528-02.

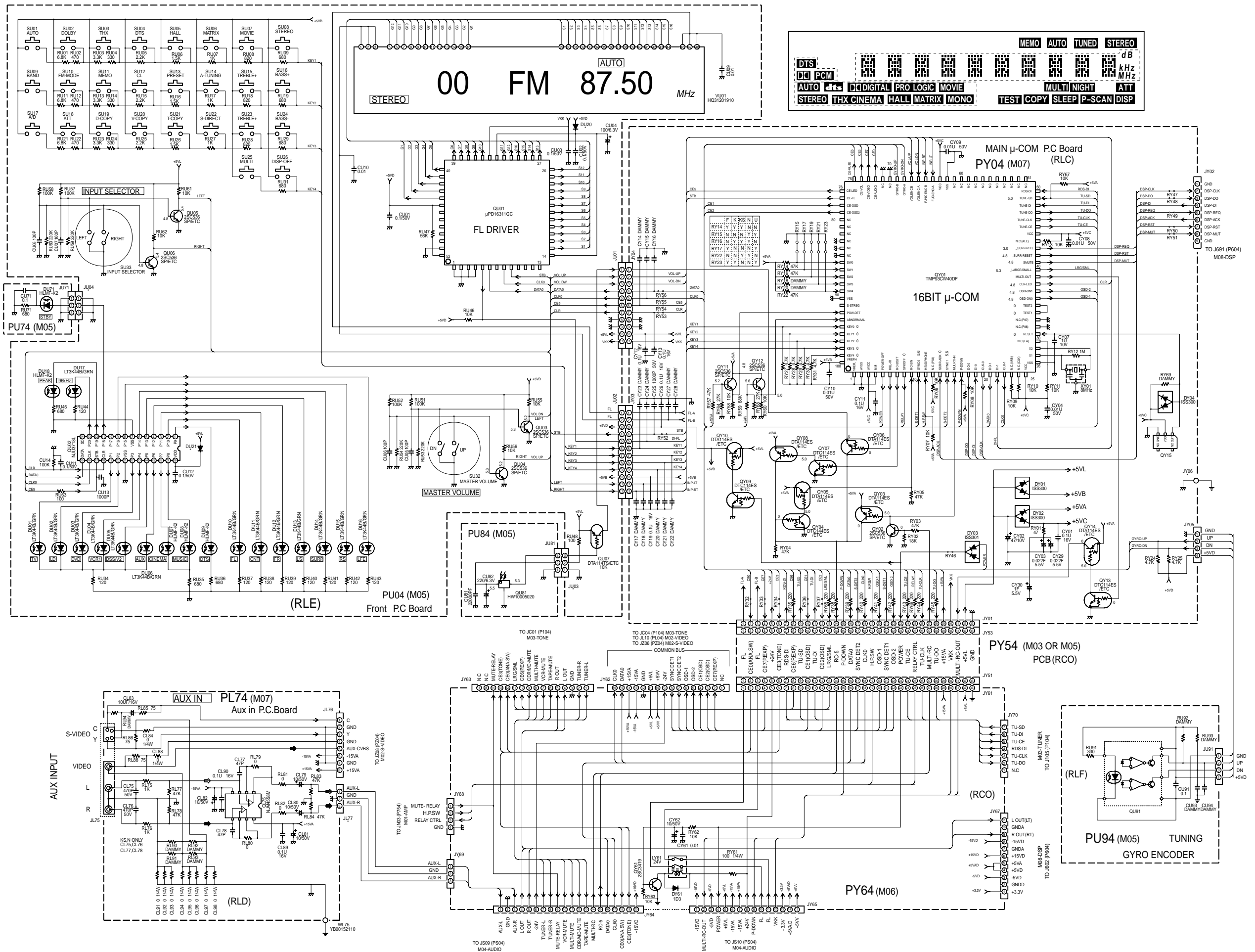
2. WIRING DIAGRAM

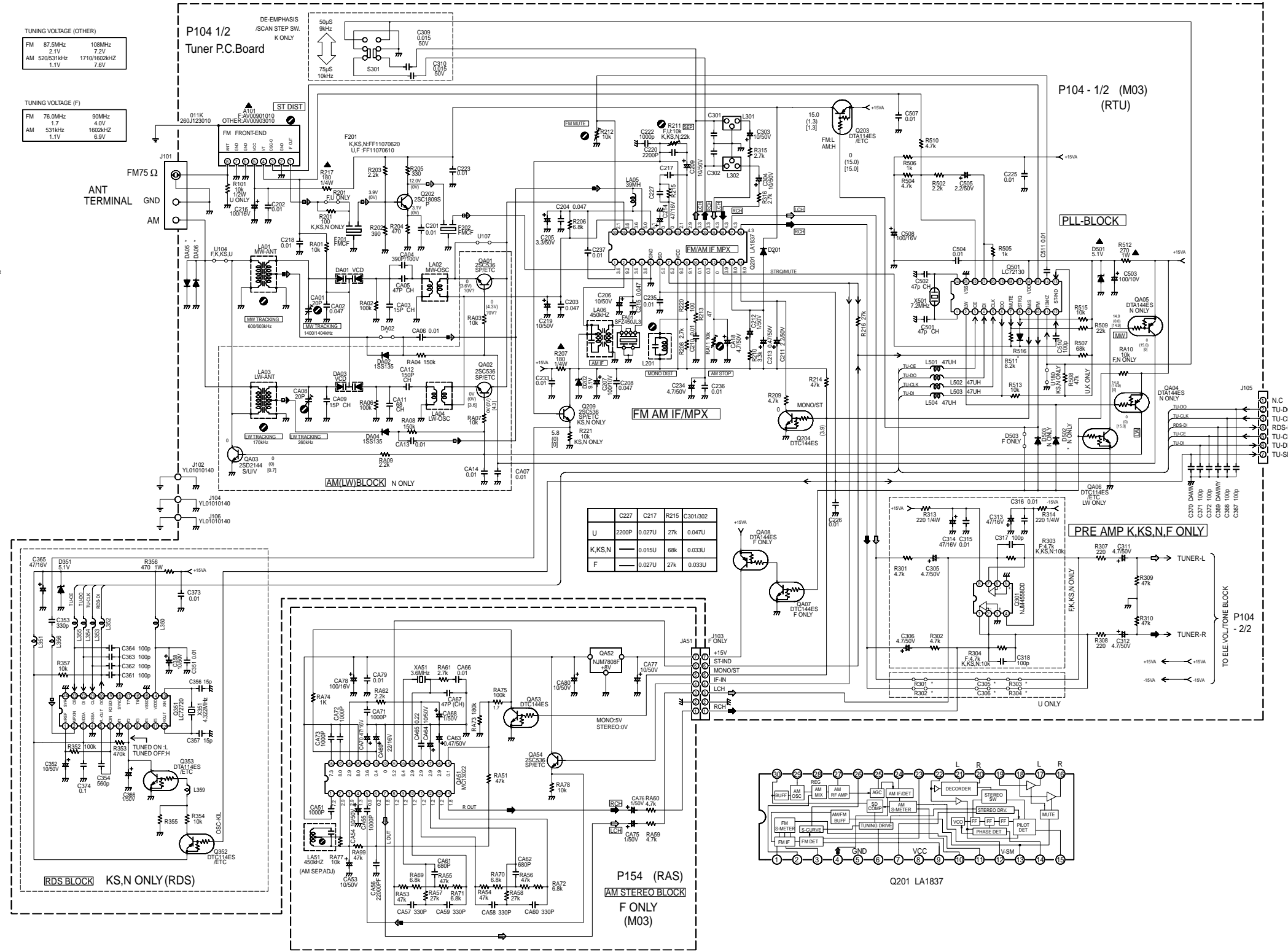


3. BLOCK DIAGRAM



4. SCHEMATIC DIAGRAM

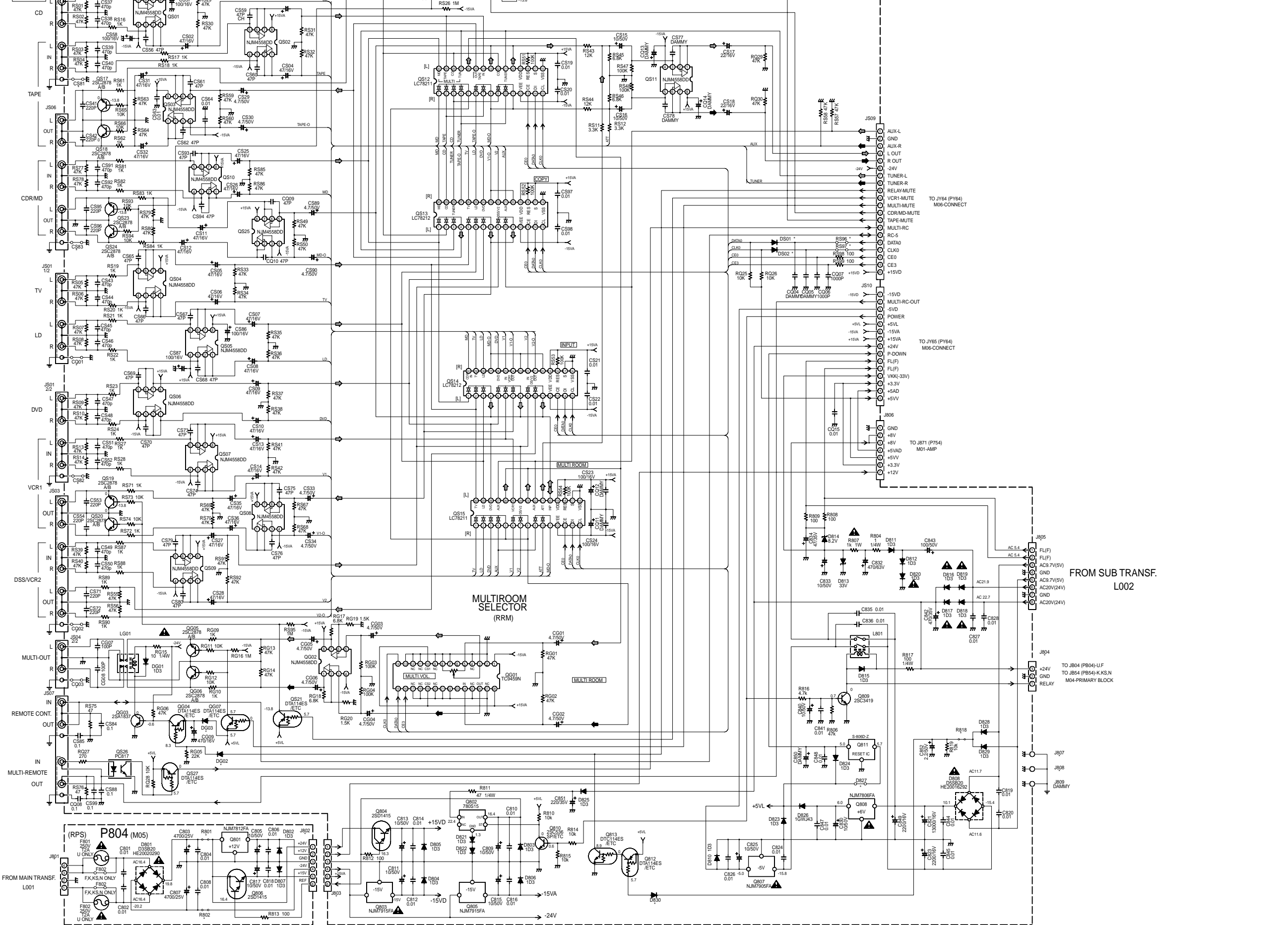


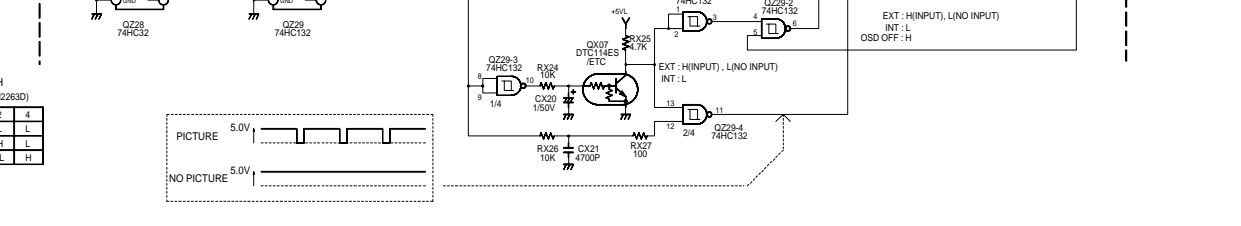
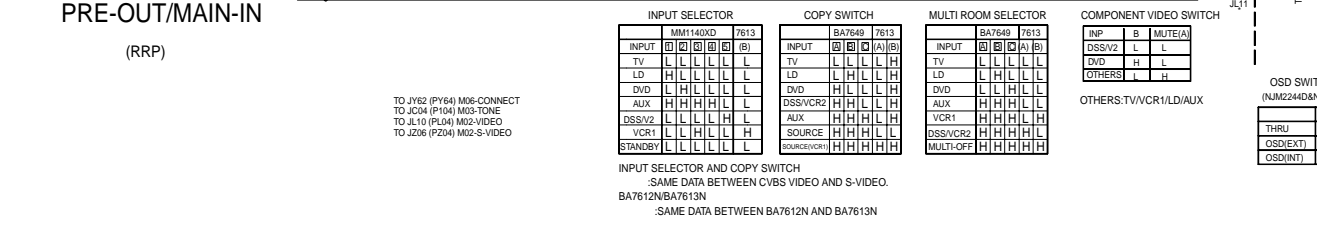
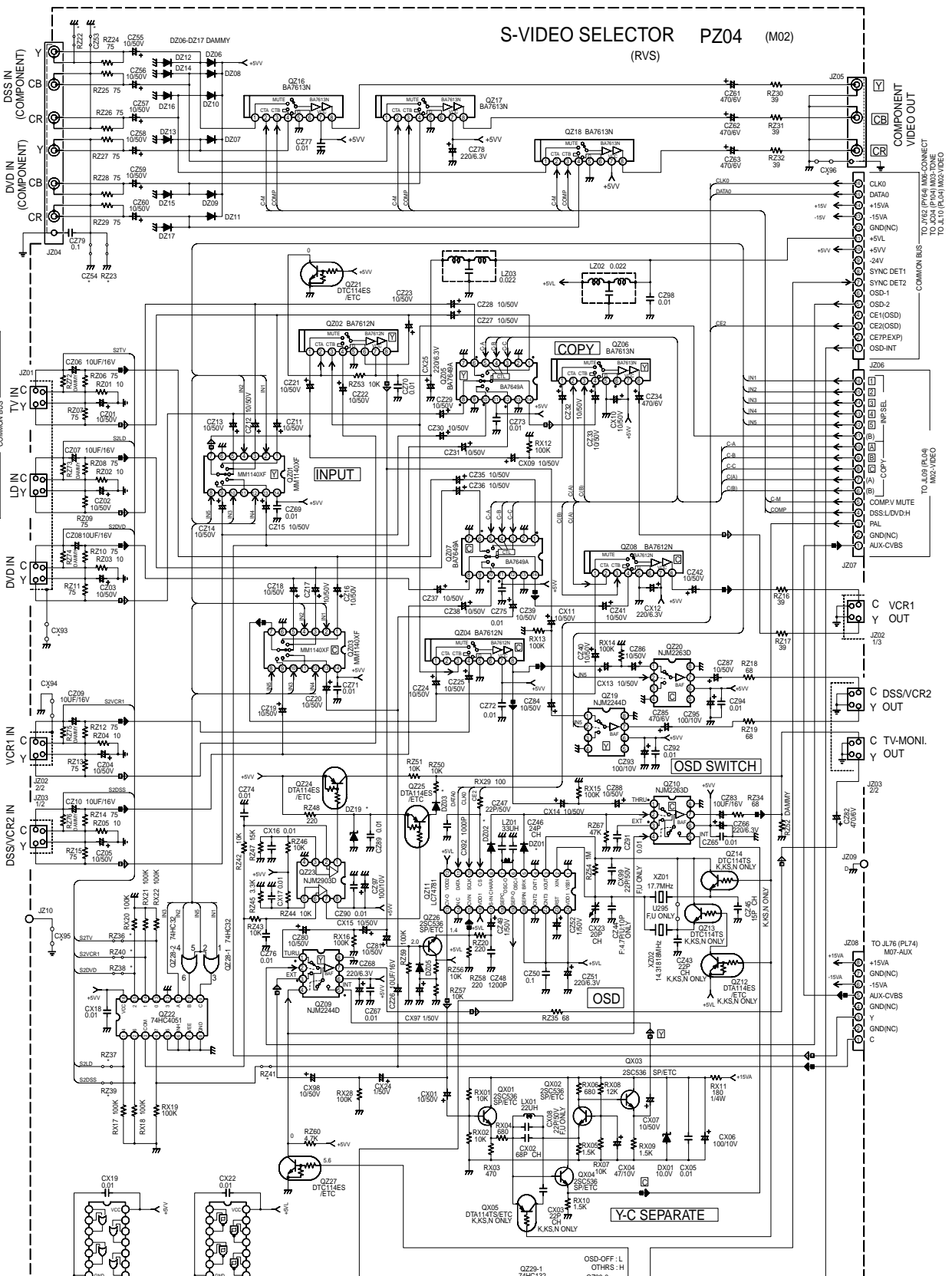
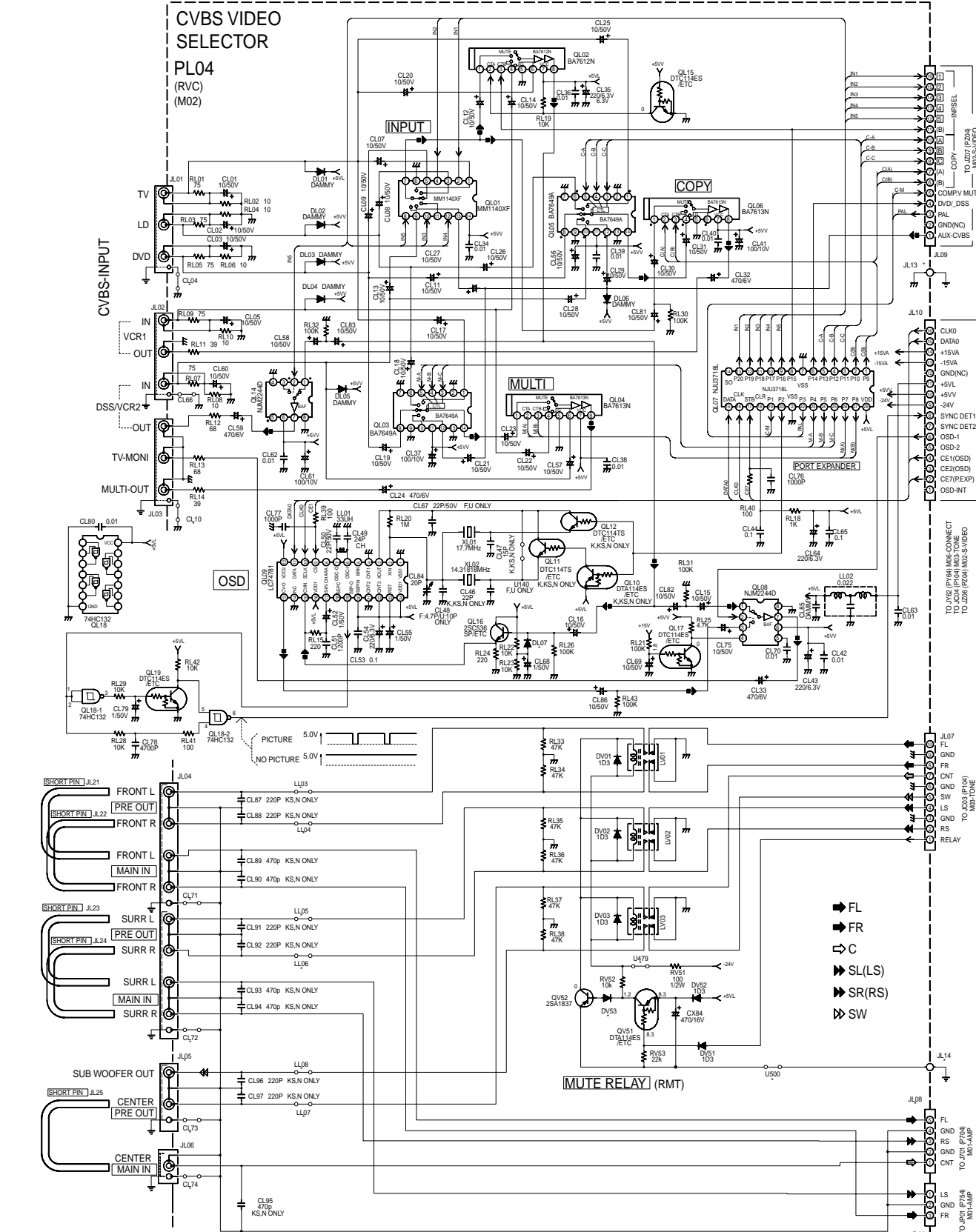


TO JY70 (PY64)
M06-CONNECT

KS,N ONLY

- CG07,CG08
- CS37-CS36
- CS59-CS62
- CS65-CS80
- CS91-CS96
- CO09,CO10





INPUT SELECTOR			
INPUT	MM140XD	7613	
TV	L	L	L
LD	L	L	L
DVD	L	L	L
AUX	L	L	L
DSS/V2	L	L	L
VCR1	L	L	L
STANDBY	L	L	L

COPY SWITCH			
INPUT	BA7649	7613	
TV	L	L	L
LD	L	L	L
DVD	L	L	L
AUX	L	L	L
SOURCE	L	L	L

MULTI ROOM SELECTOR			
INPUT	BA7649	7613	
TV	L	L	L
LD	L	L	L
DVD	L	L	L
AUX	L	L	L
VCR1	L	L	L
DSS/VCR2	L	L	L
MULTI-OFF	L	L	L

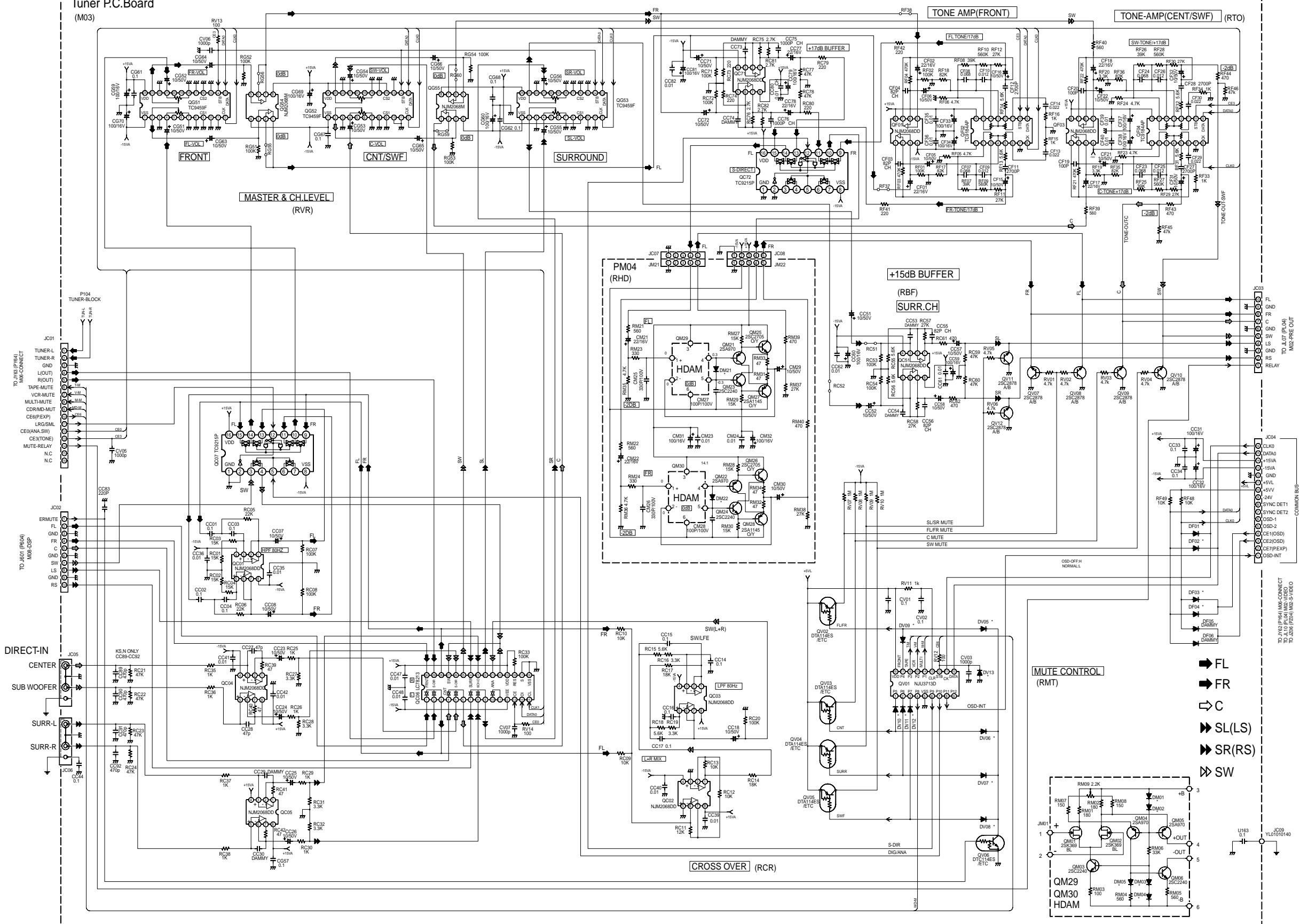
COMPONENT VIDEO SWITCH			
INP	B	MUTE(A)	
DSS/V2	L	L	
OTHERS	L	L	

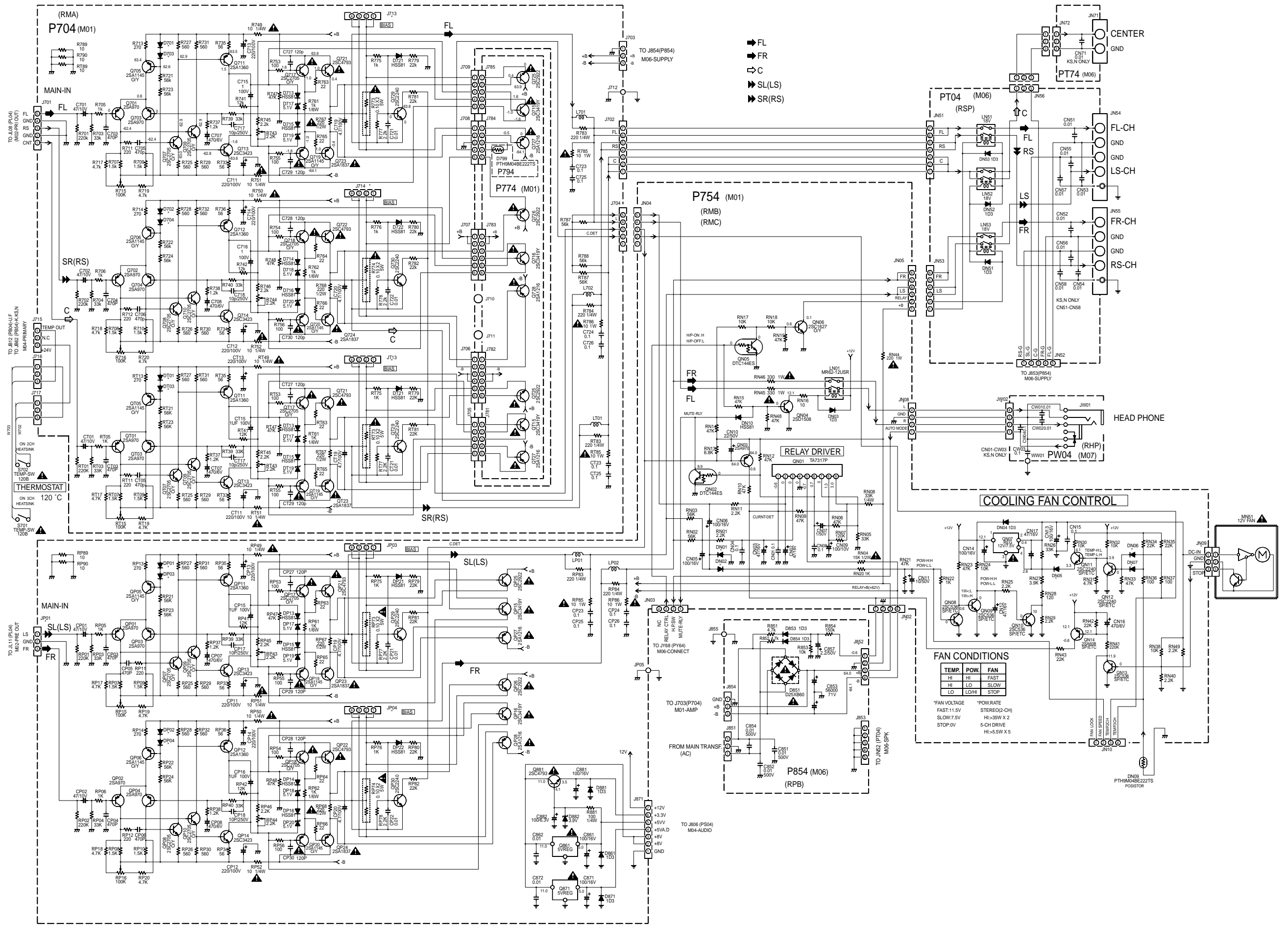
OSD SWITCH (NM2244D/NM2263D)			
THRU	2	4	
OSD(EXT)	L	L	
OSD(INT)	L	L	

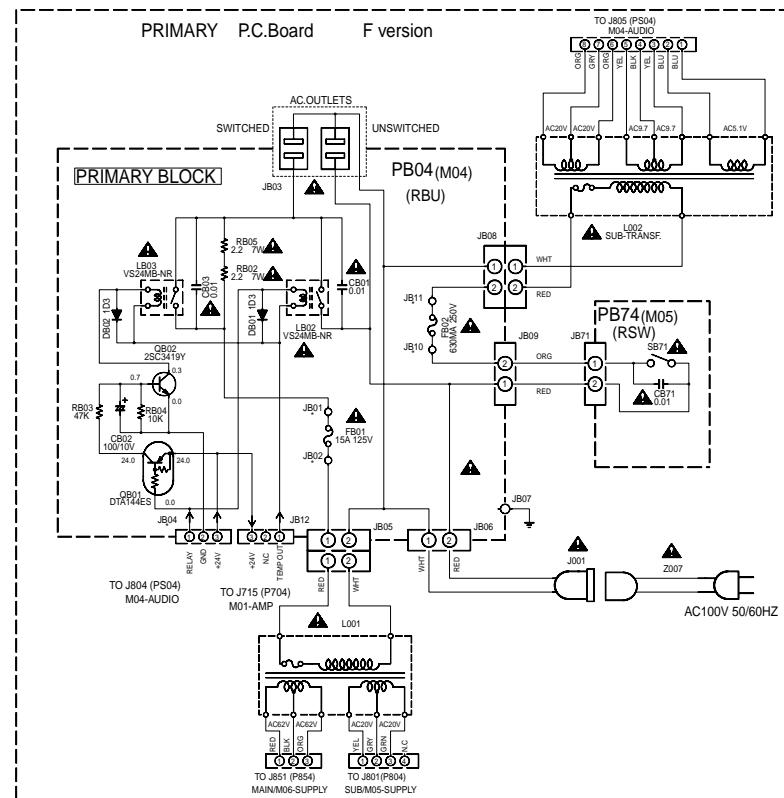
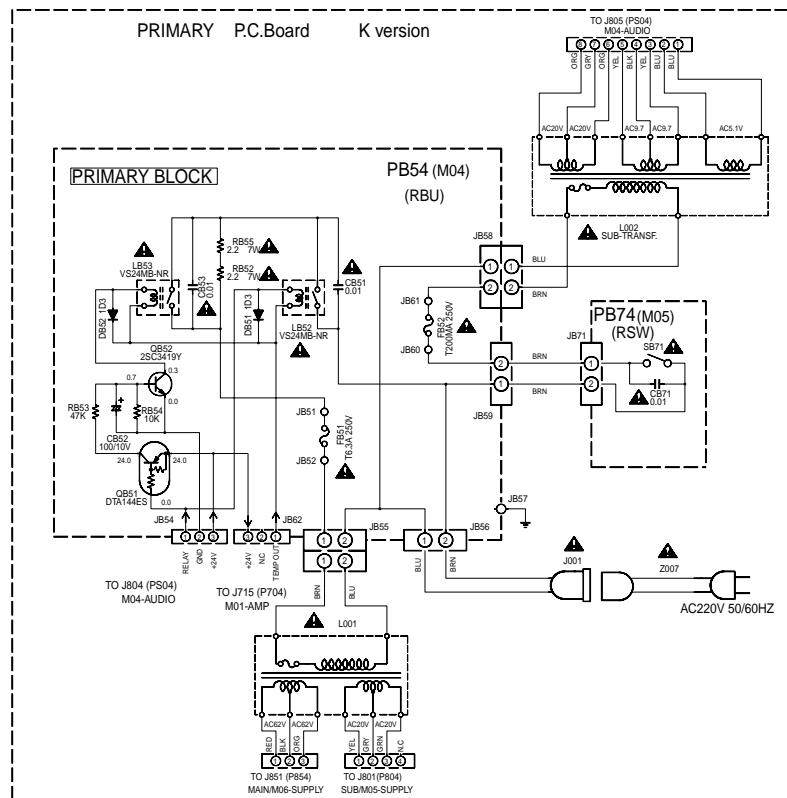
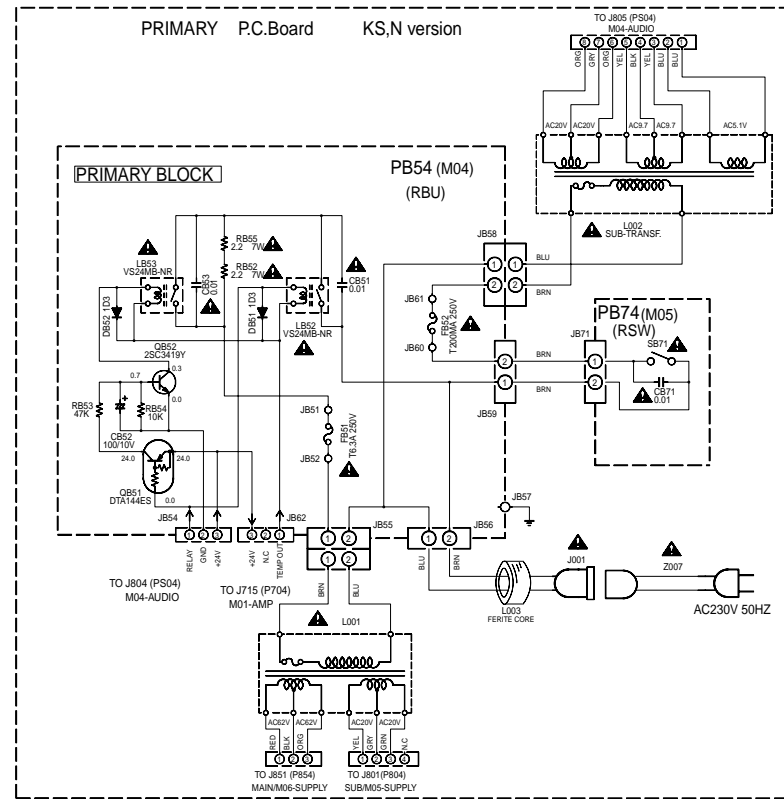
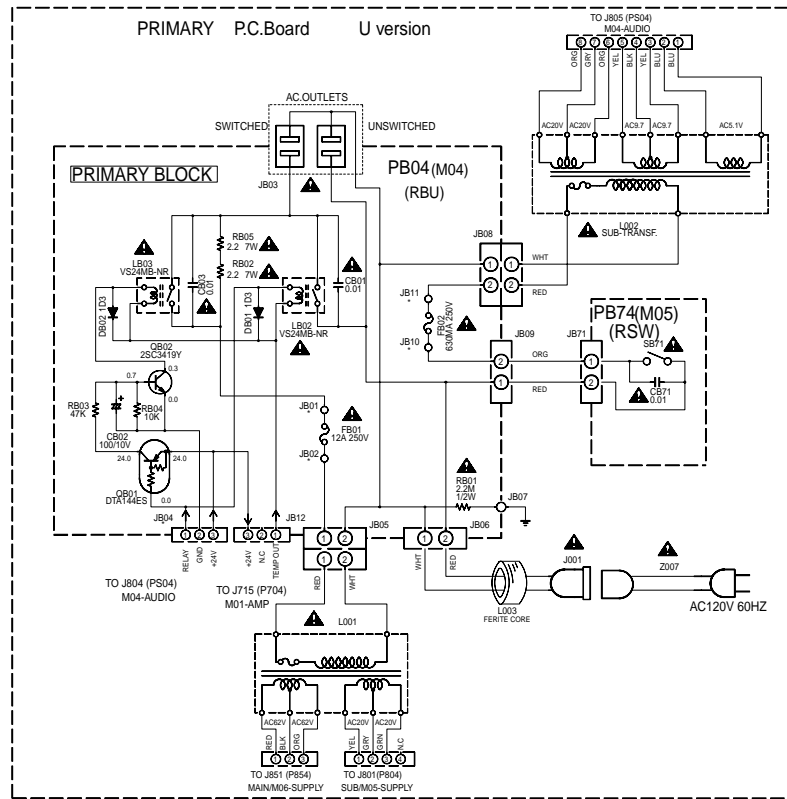
INPUT SELECTOR AND COPY SWITCH
 SAME DATA BETWEEN CVBS VIDEO AND S-VIDEO.
 BA7612N/BA7613N
 SAME DATA BETWEEN BA7612N AND BA7613N

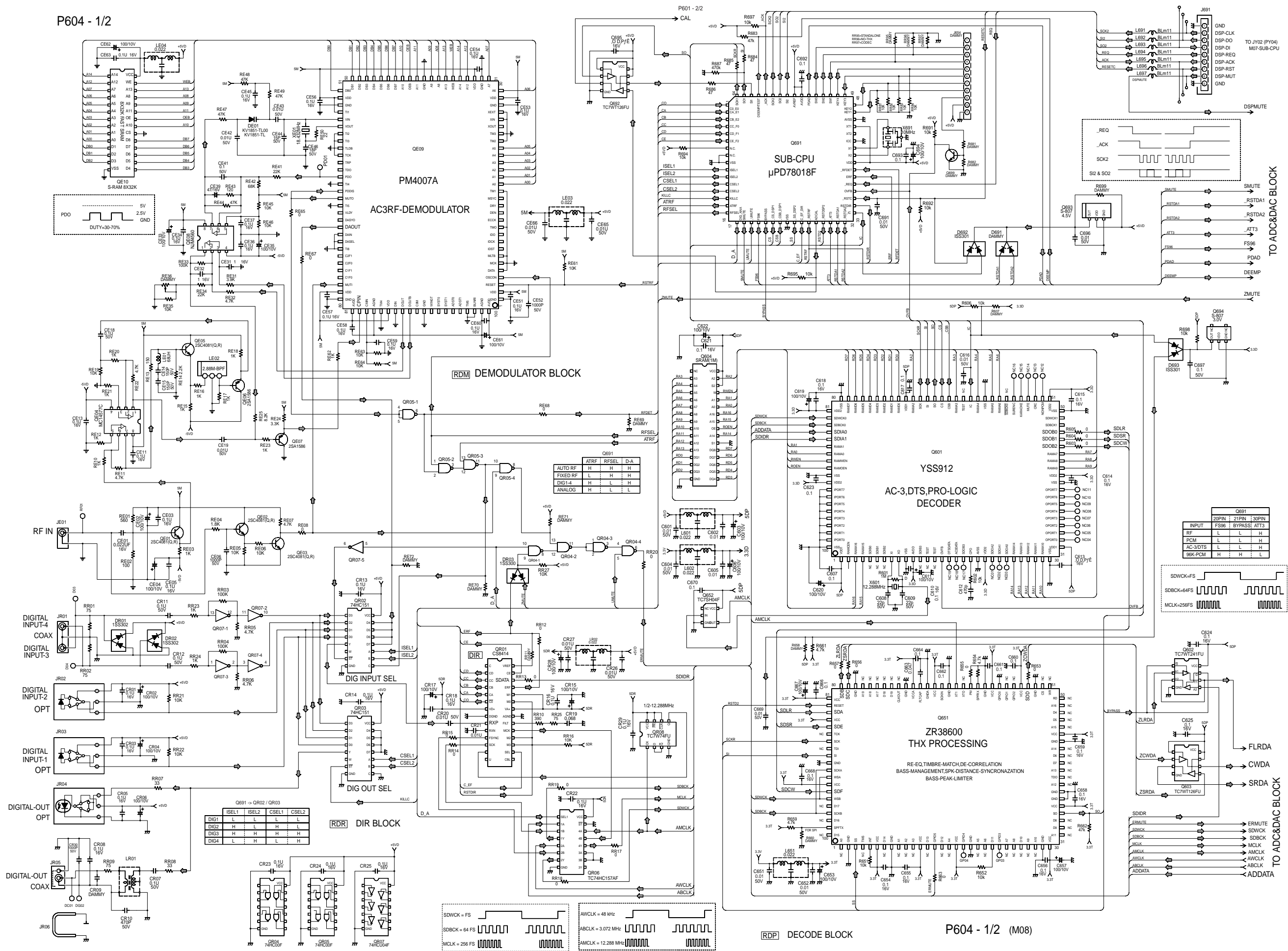
P104 2/2
Tuner P.C.Board
(M03)

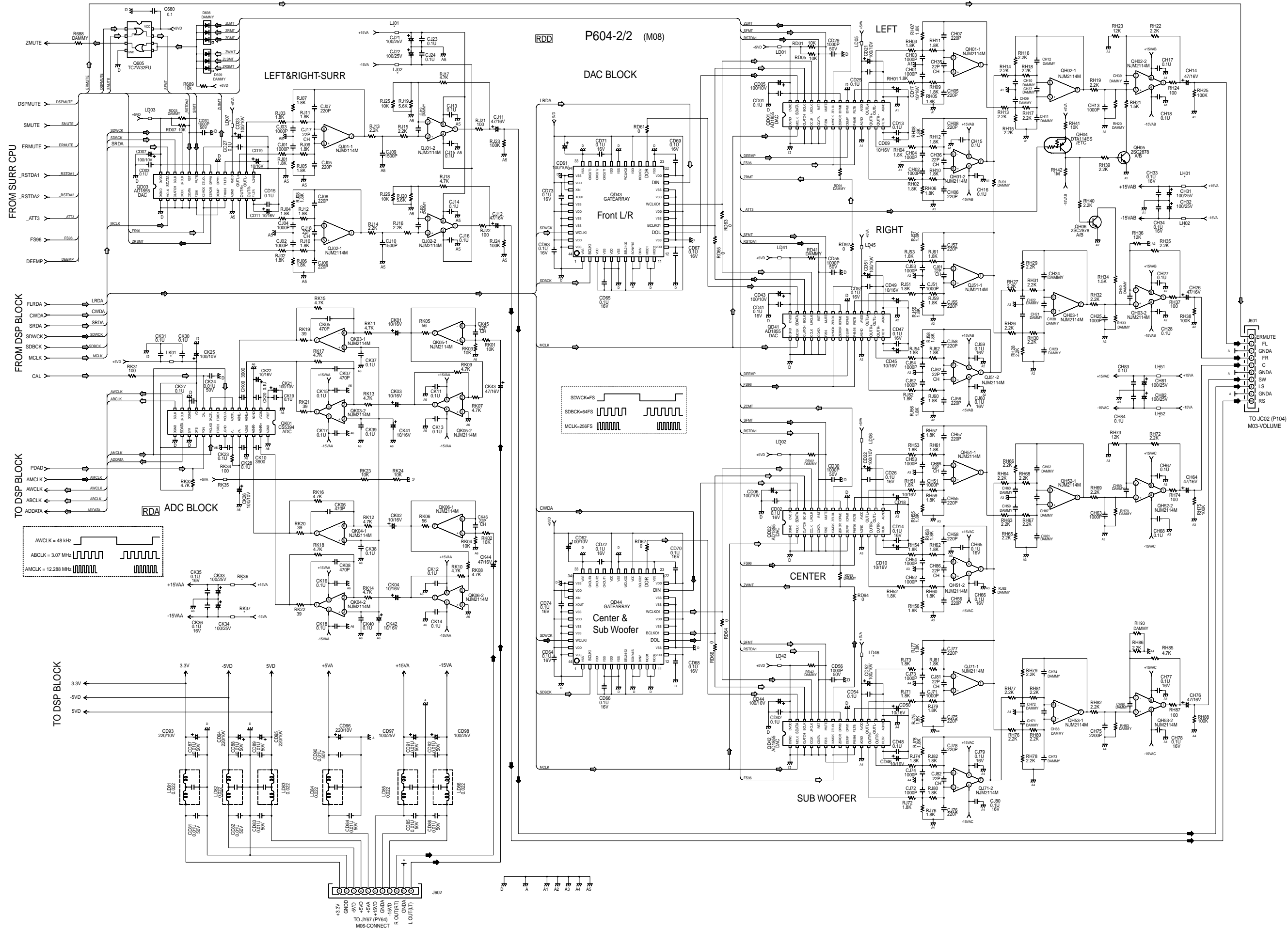
TONE/CROSS OVER/VOLUME/MUTE CIRCUIT BLOCK



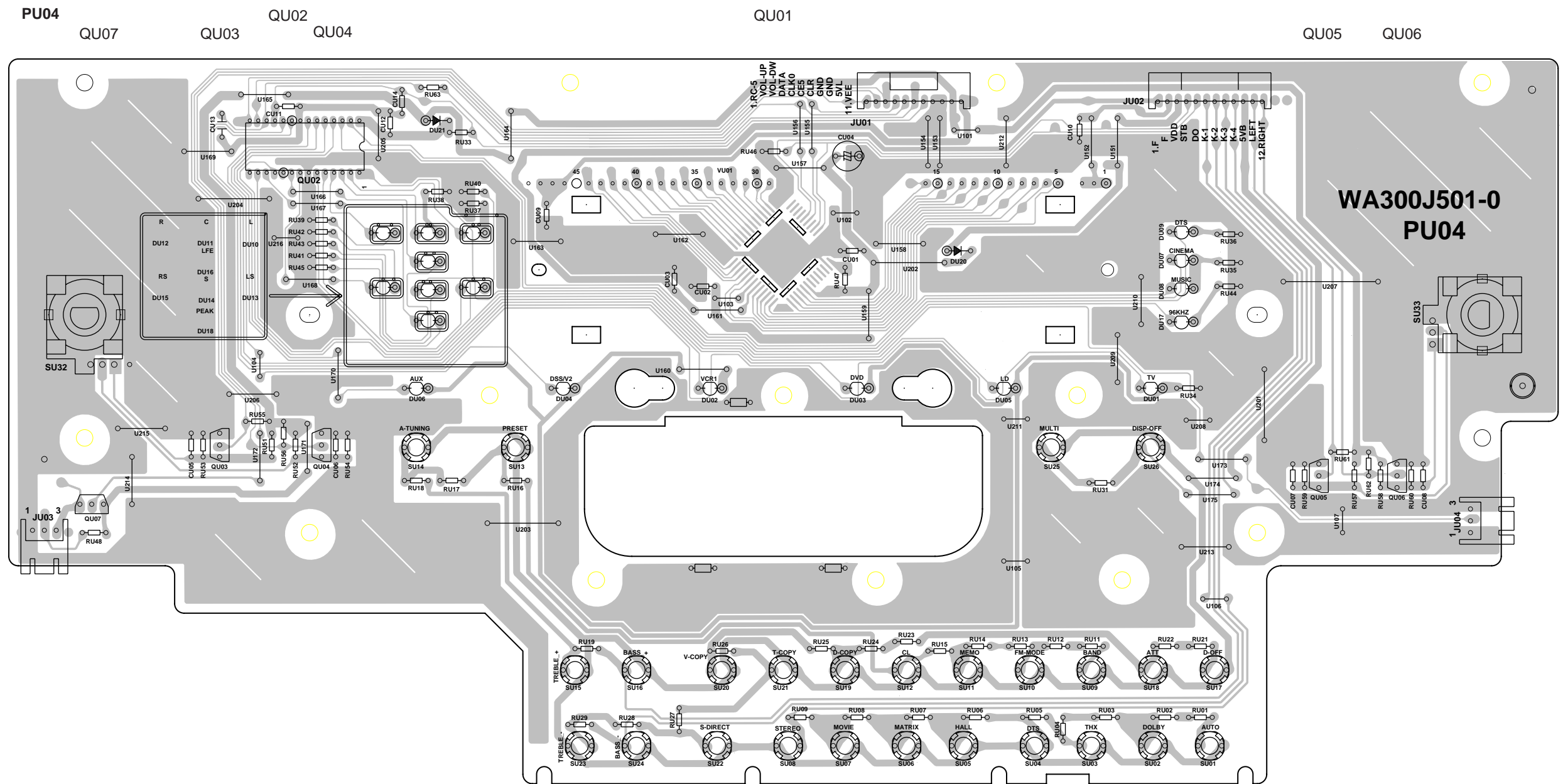




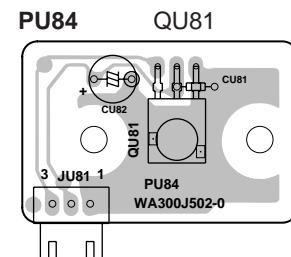
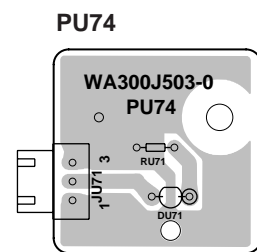




5. PARTS LOCATION (Pattern Side)

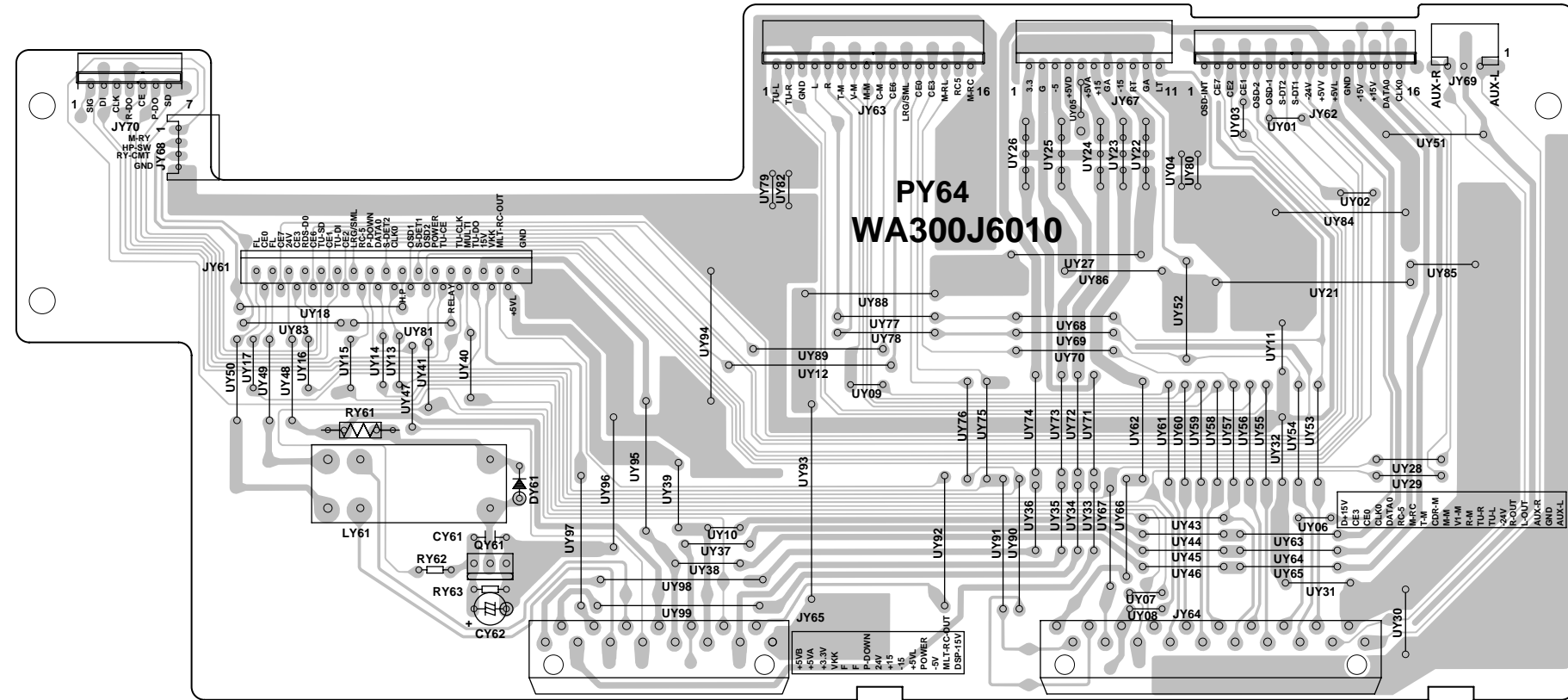


WA300J501-0
PU04



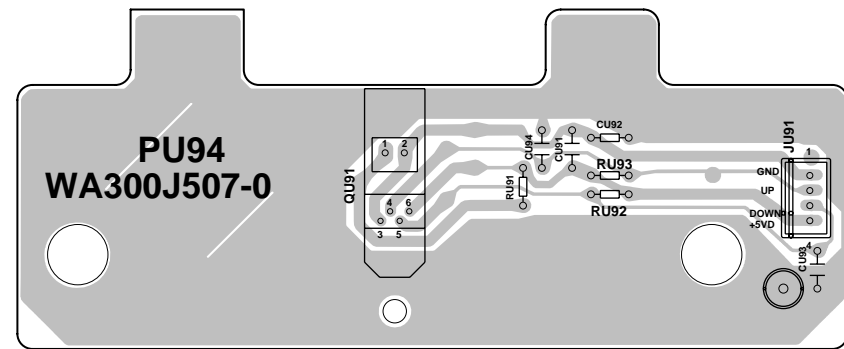
PY64

QY61



PU94

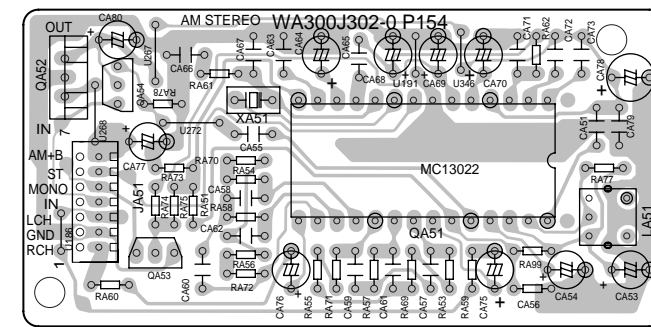
QU91



P154

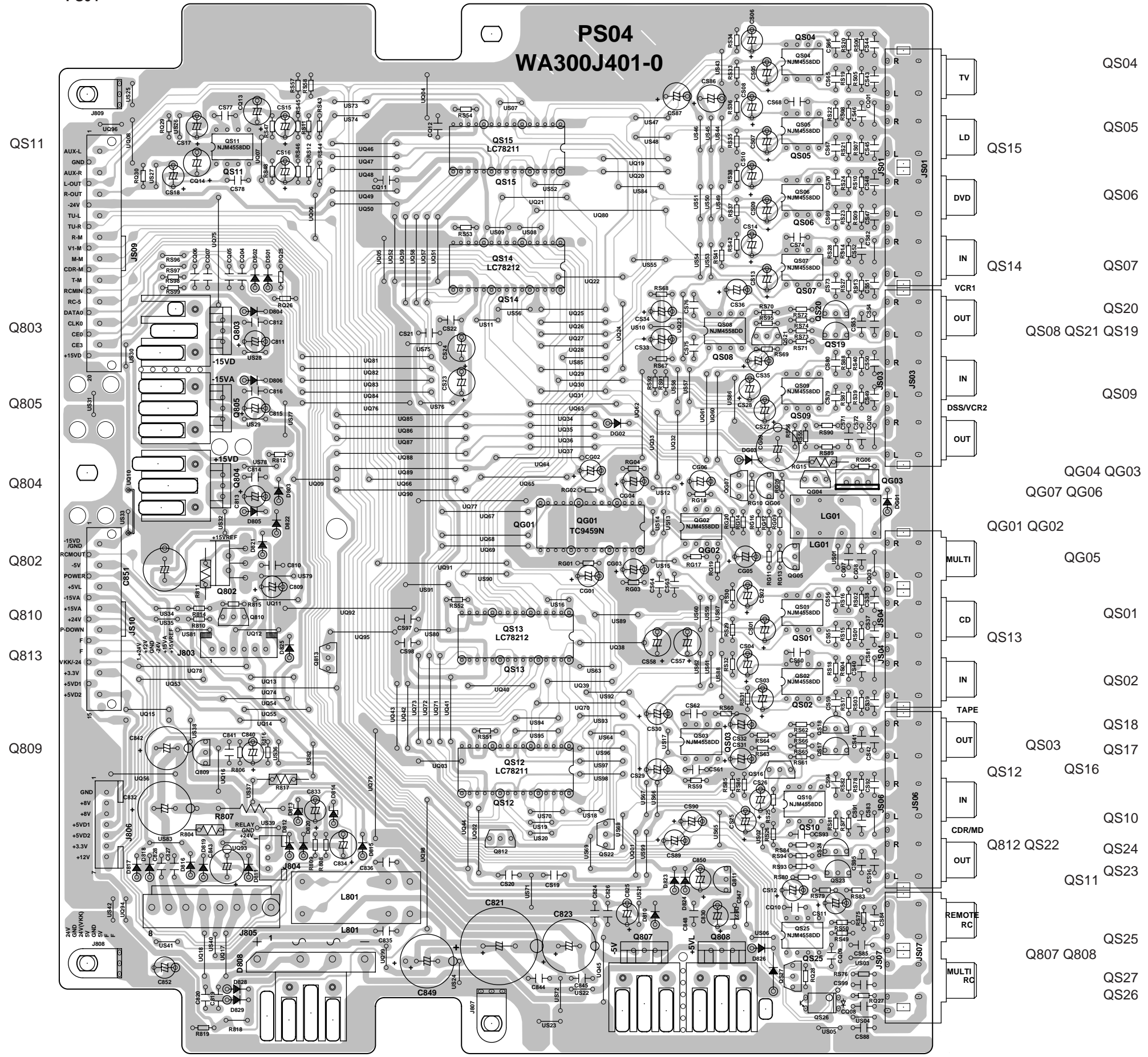
QA54
QA53

QA51



PS04

PS04
WA300J401-0



QS11

Q803

Q805

Q804

Q802

Q810

Q813

Q809

TV QS04

LD QS05

QS15

DVD QS06

IN QS14

QS07

OUT QS20

QS08 QS21 QS19

IN QS09

DSS/VCR2

OUT

QG04 QG03

QG07 QG06

QG01 QG02

MULTI QG05

CD QS01

QS13

IN QS02

TAPE QS18

OUT QS03

QS17

QS12 QS16

IN QS10

CDR/MD QS24

OUT Q812 QS22

QS23

QS11

REMOTE

RC QS25

Q807 Q808

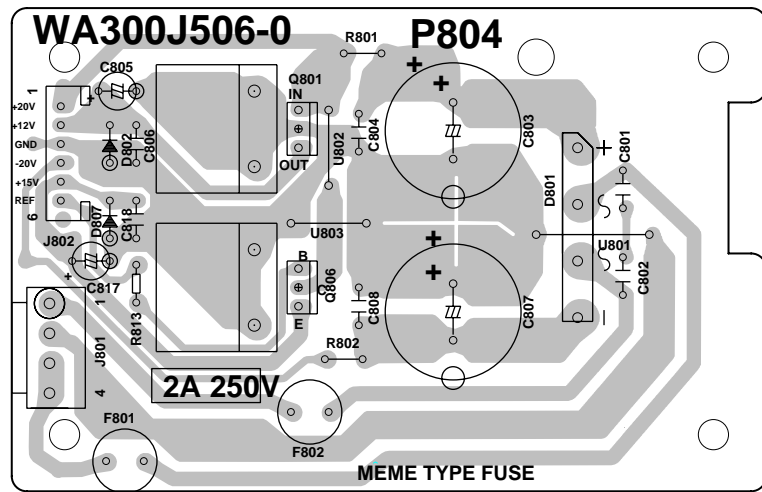
MULTI

RC QS27

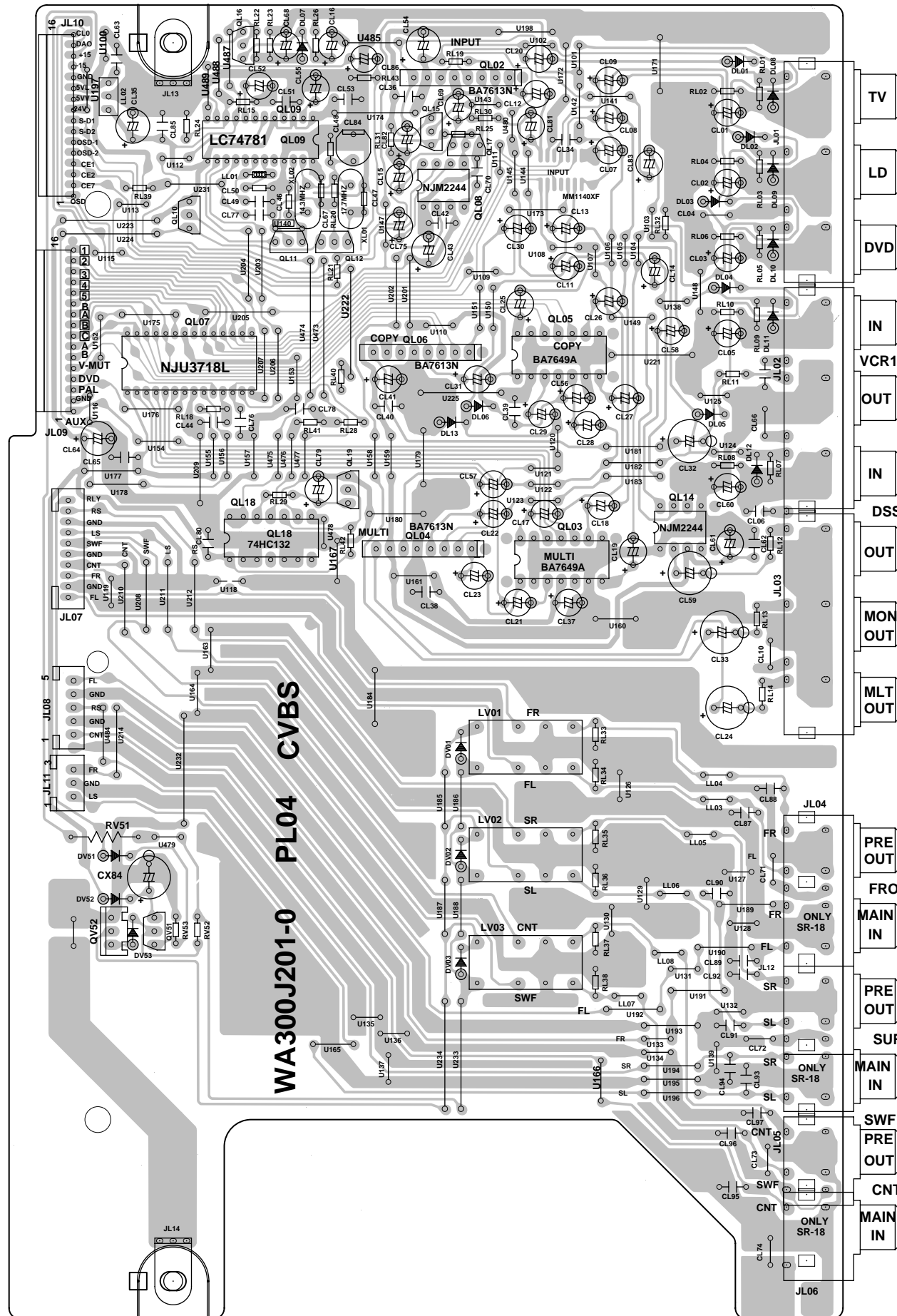
QS26

P804

Q801
Q806



PL04



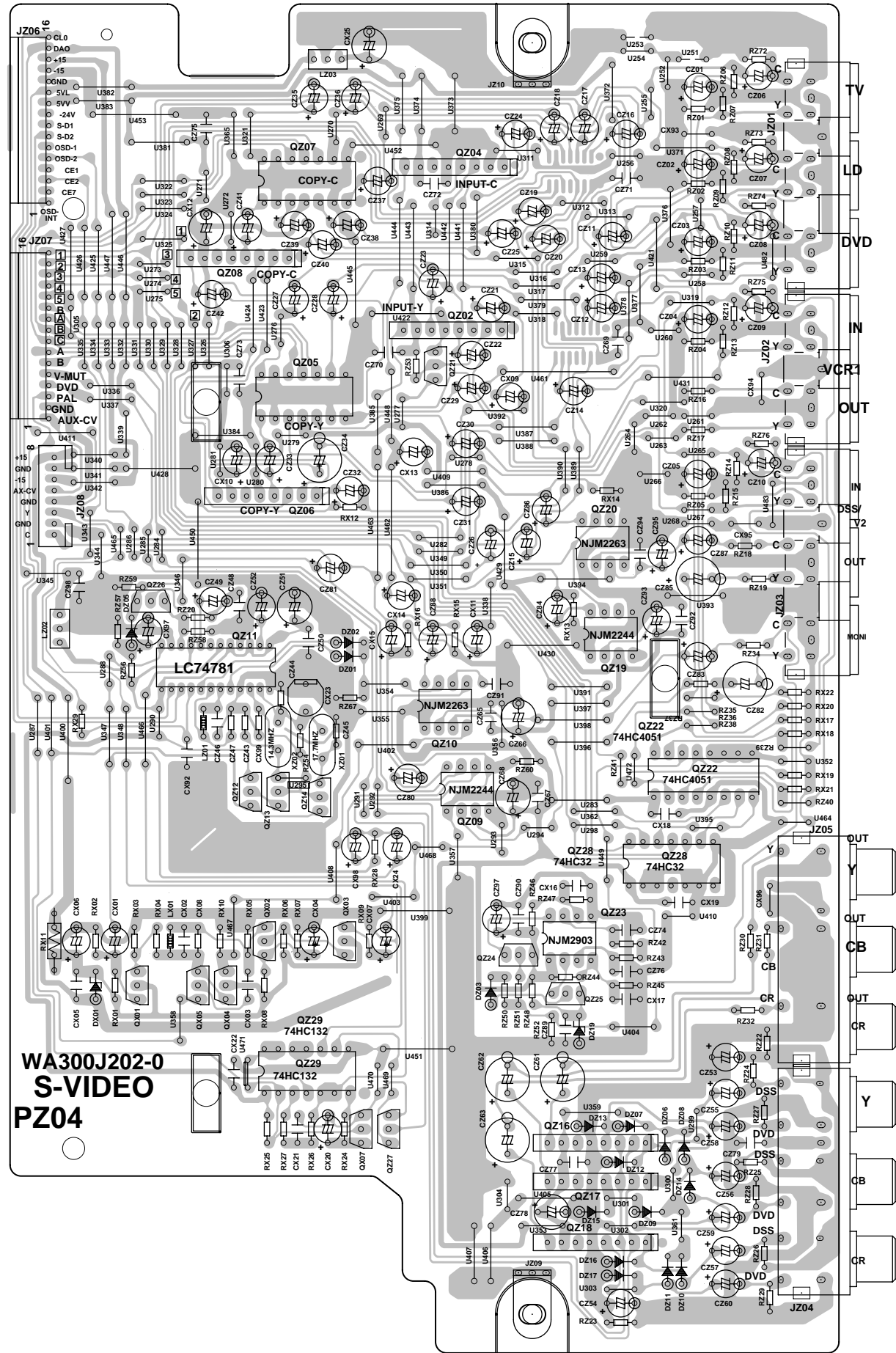
QL16
QL02
QL09 QL15 QL17

QL08
QL10
QL11 QL12

QL07 QL06 QL05

QL19
QL18 QL04 QL03

QV52 QV51



WA300J202-0
S-VIDEO
PZ04

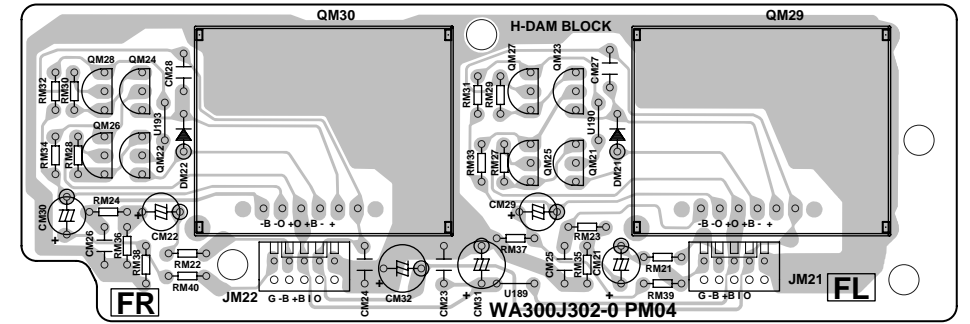
- QZ07 QZ04
- QZ08
- QZ02
- QZ21
- QZ05
- QZ06
- QZ20
- QZ26
- QZ11
- QZ10
- QZ22
- QZ12 QZ13 QZ14 QZ09
- QZ28
- QX02 QX03 QZ23
- QZ24
- QX01 QX05 QX04 QZ25
- QZ29
- QX07 QX27 QZ16
- QZ17
- QZ18

PM04

QM28 QM24
QM26 QM22

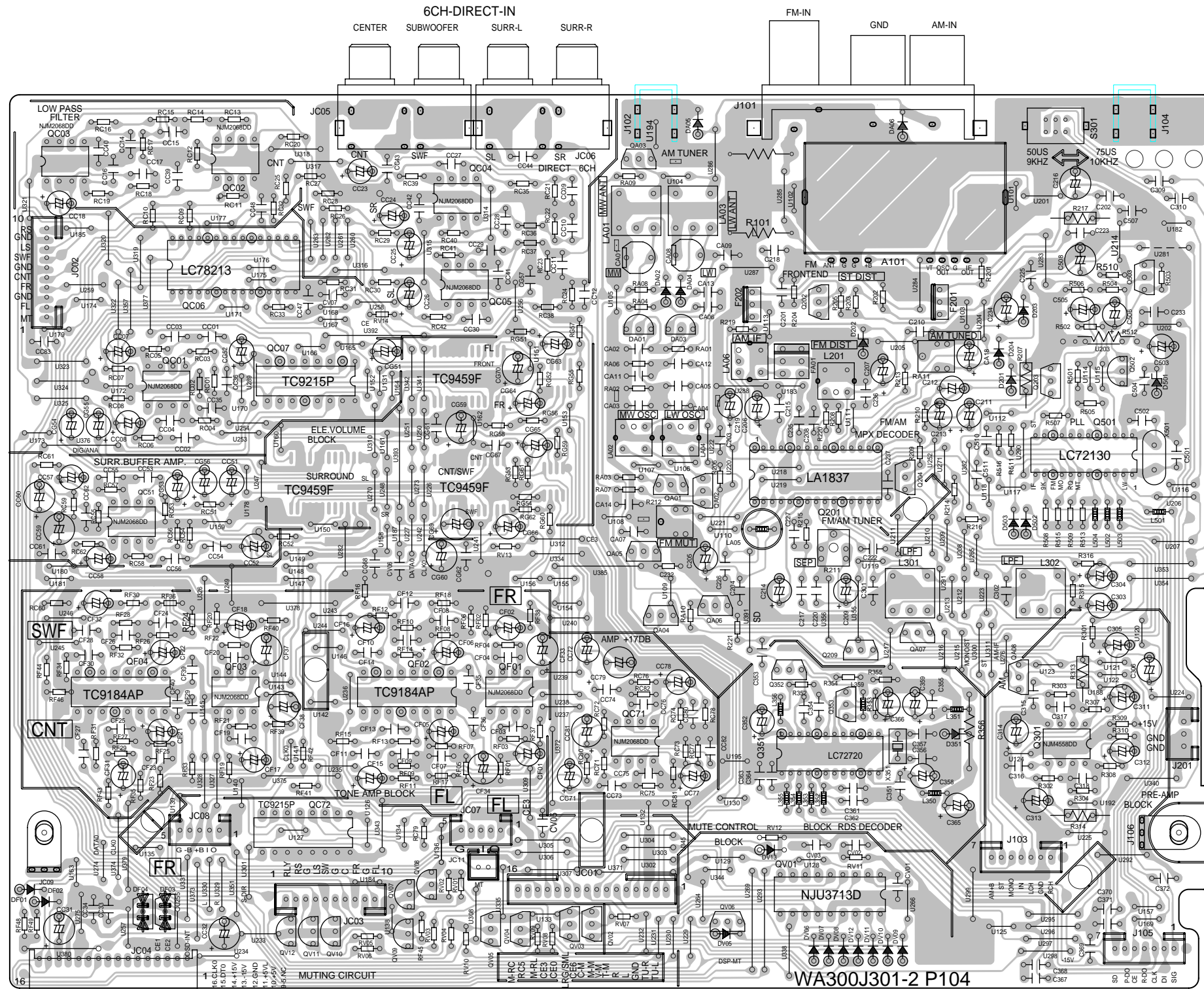
QM30

QM29

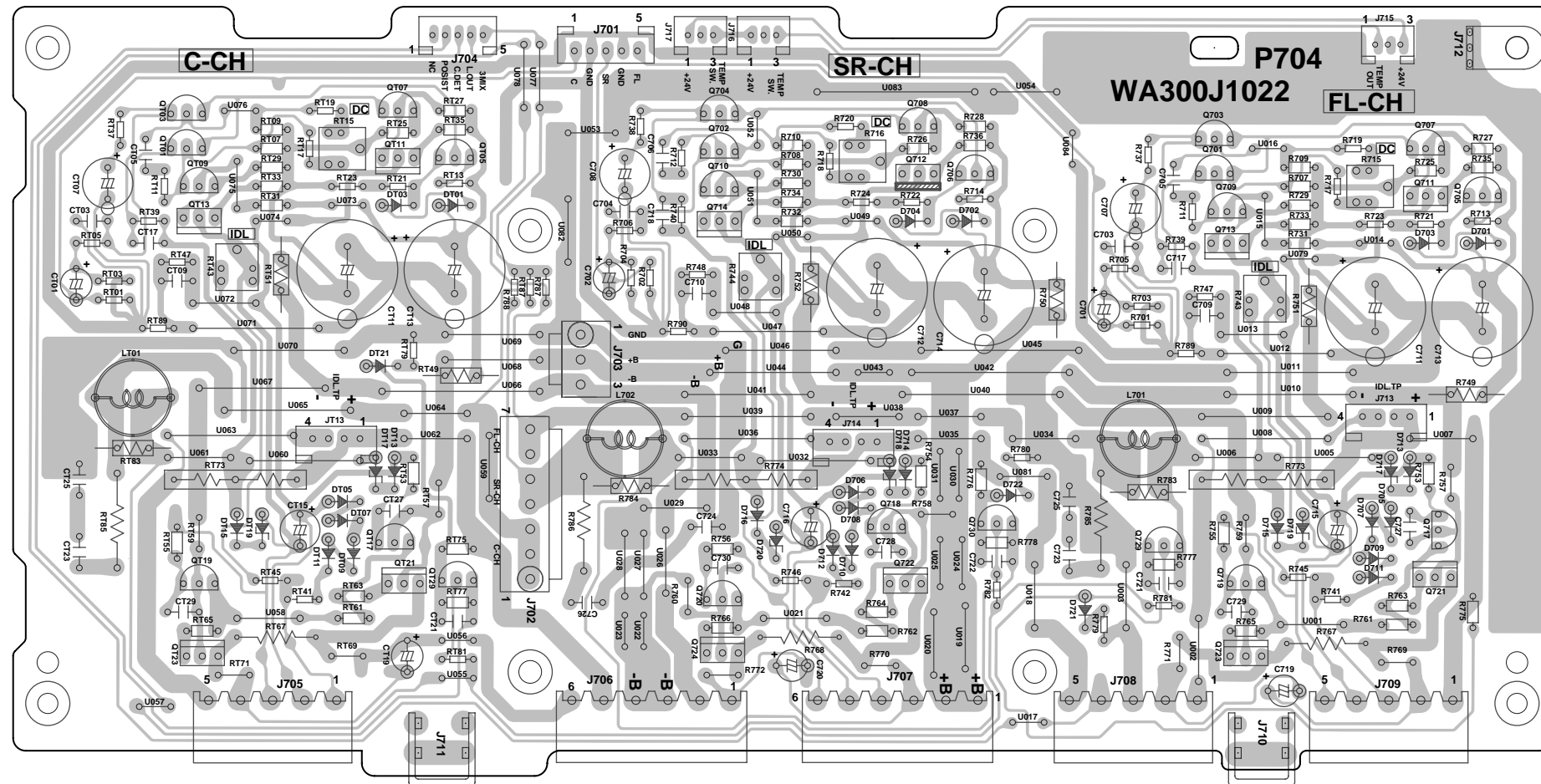


P104

QC03 QC02 QC04 QA03 Q202 Q503
 QC01 QC07 QC05 QG51 Q201 Q204 Q203 Q502
 QC51 QG53 QF02 QG52 QF01 QA05 QA01 QA02 Q352 Q353 Q209 QA07 QA08 Q501
 QF04 QF03 QV07 QV08 QC71 QA04 QA06 QV06 QV01 Q301
 QV12 QV11 QV10 QV09 QV05 QV04 QV03 QV02

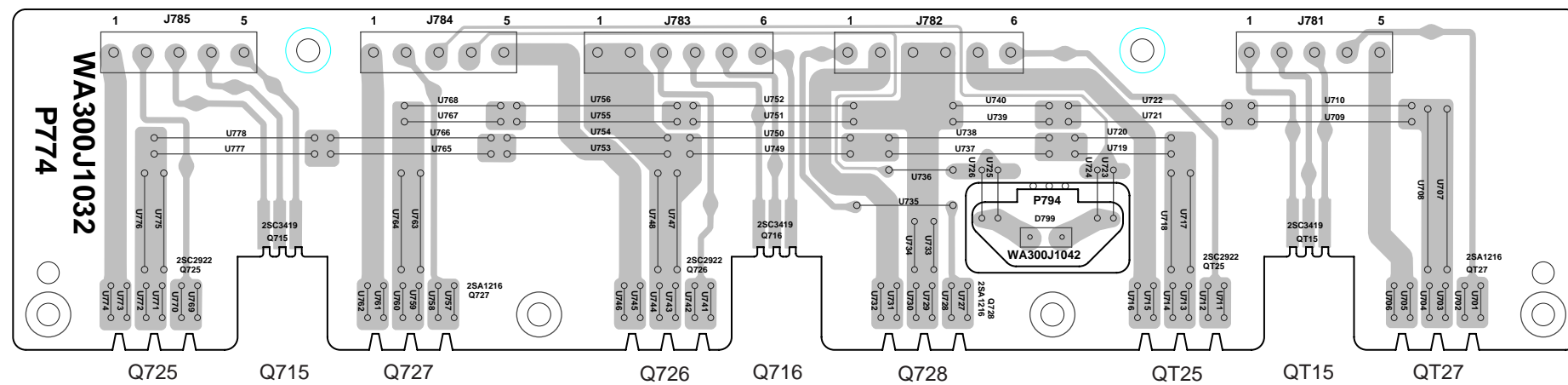


P704	QT03 QT01 QT09 QT13 QT19 QT23	QT07 QT11 QT05 QT17 QT21 QT29	Q704 Q702 Q710 Q714 Q720 Q724	Q708 Q712 Q706 Q718 Q722 Q730	Q703 Q701 Q709 Q713 Q728 Q719	Q707 Q711 Q705 Q717 Q721
-------------	-------------------------------------	-------------------------------------	-------------------------------------	-------------------------------------	-------------------------------------	--------------------------------

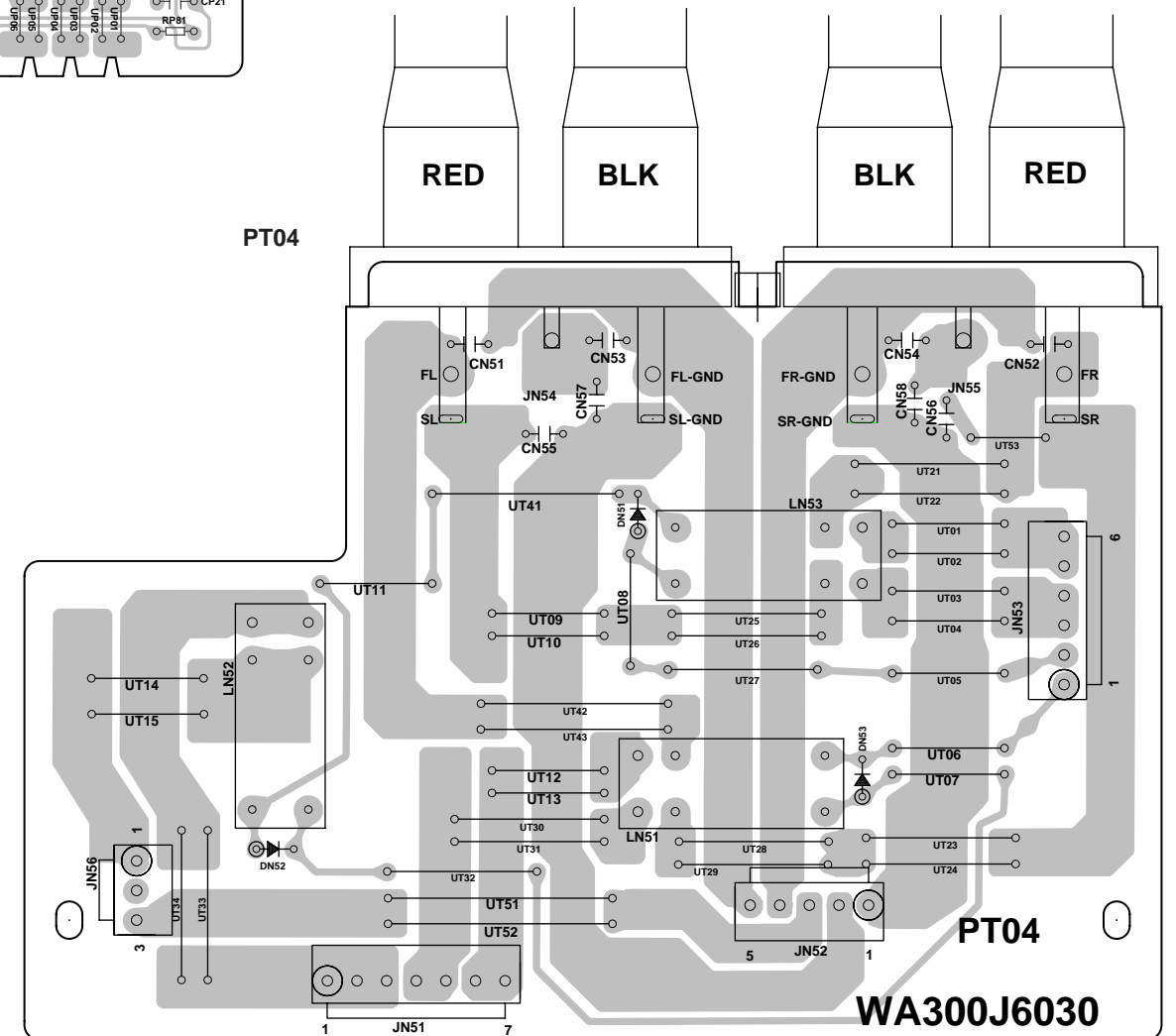
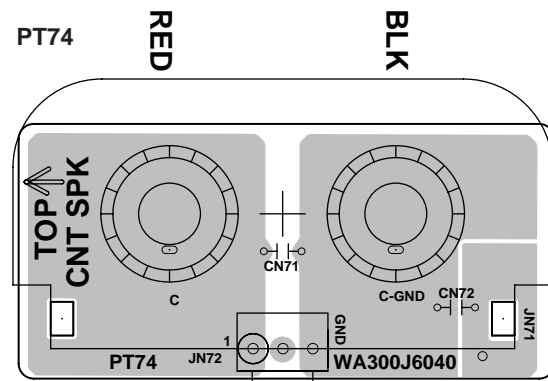
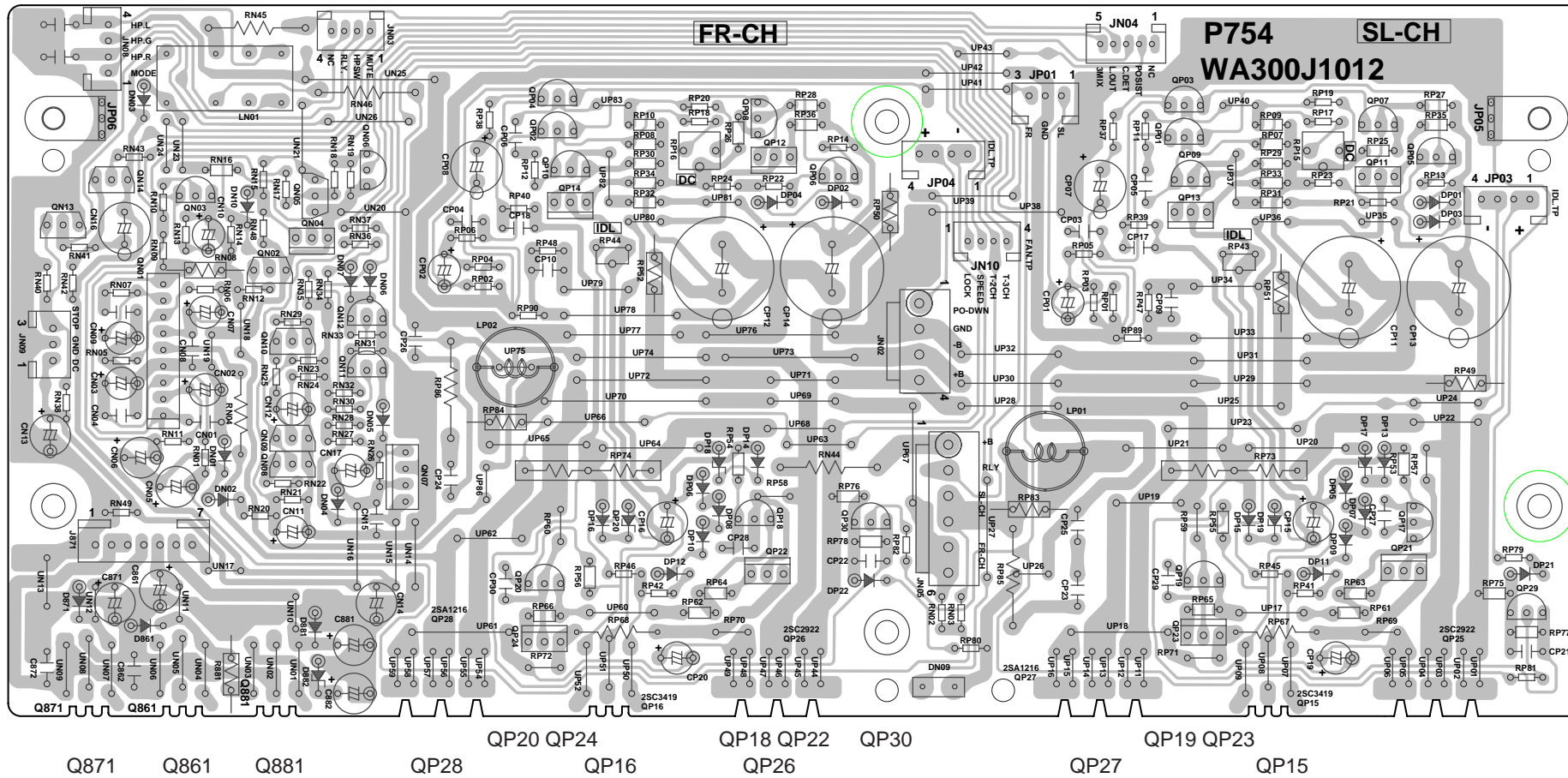


P774

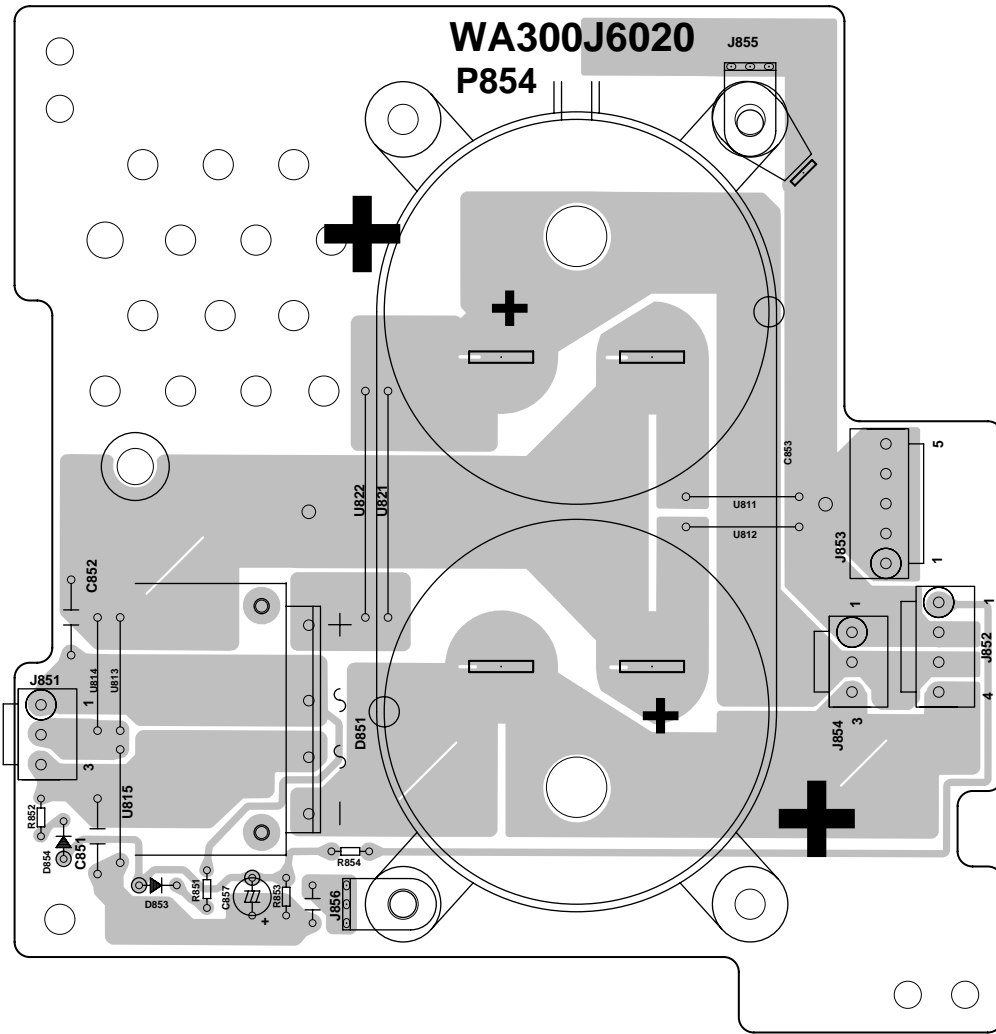
P794



P754 QN14 QN05 QN04 QN06 QP04 QP02 QP08 QP03 QP01 QP07
 QN13 QN03 QN02 QN10 QN12 QN11 QP10 QP14 QP12 QP06 QP09 QP13 QP11 QP05

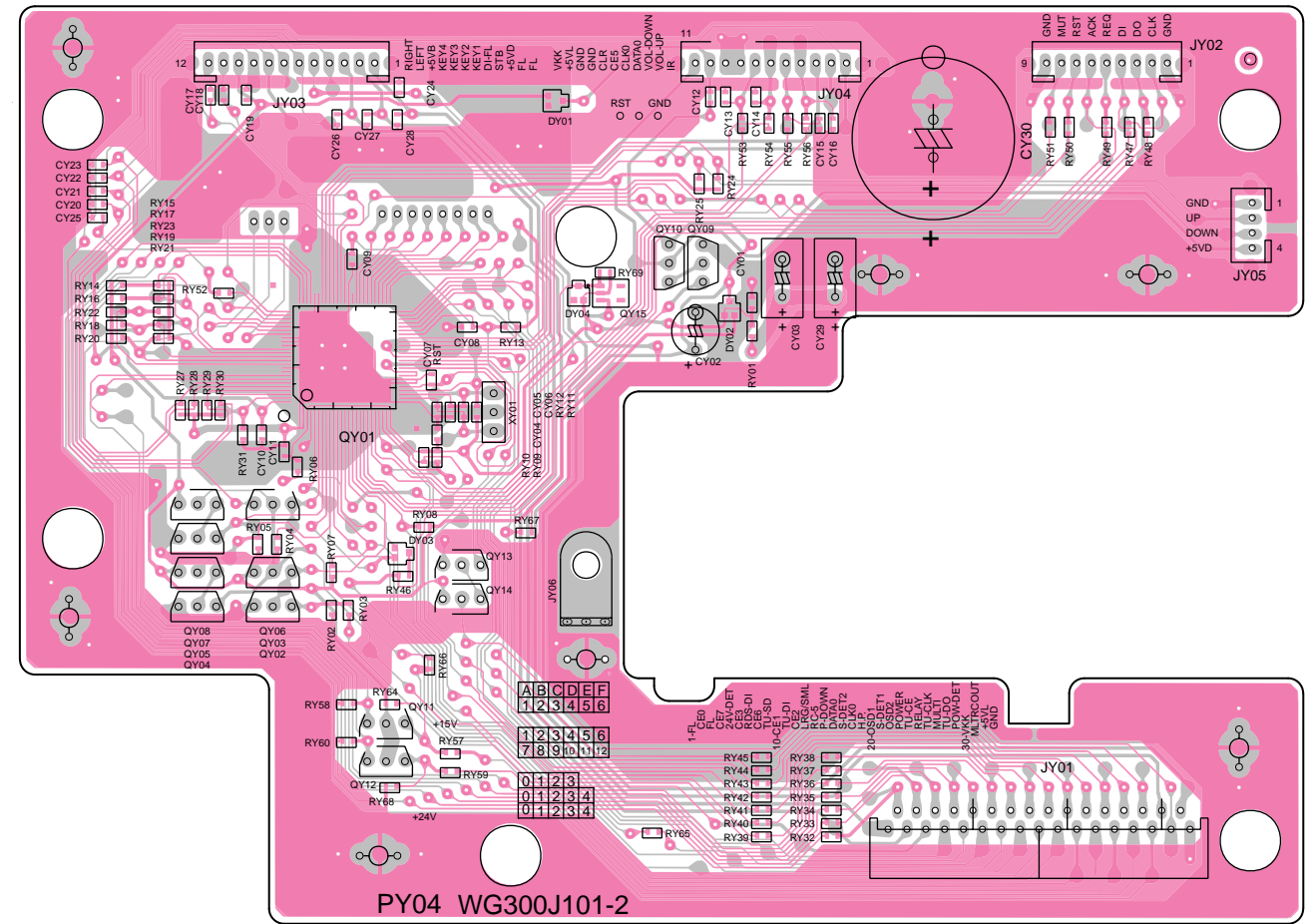


P854



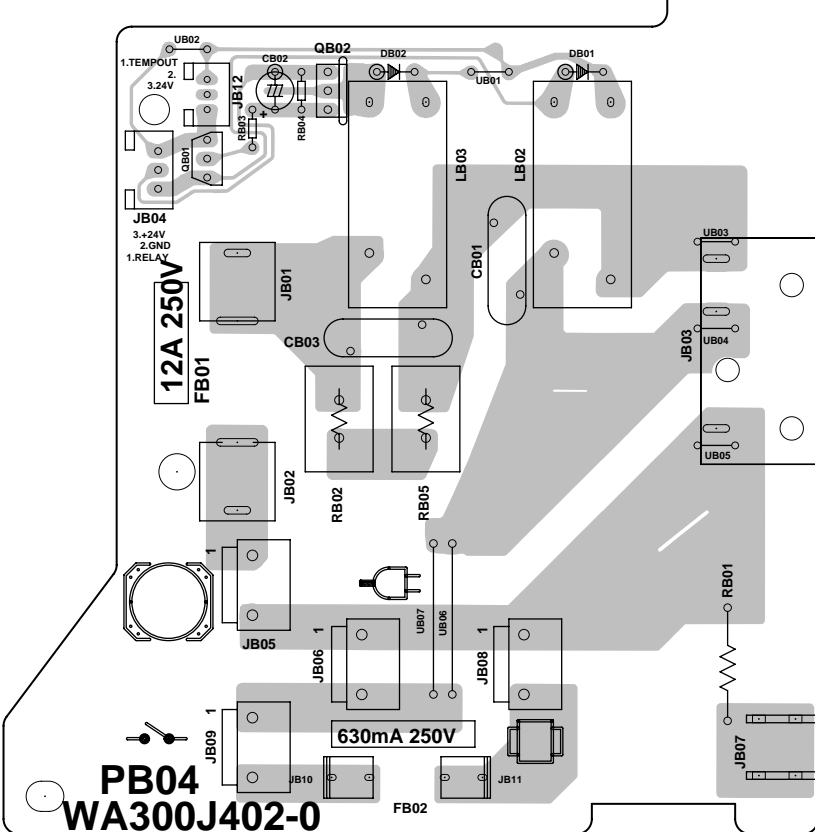
PY04

QY01 QY13 QY14 QY15 QY10 QY09
QY02 - QY08 QY11 QY12



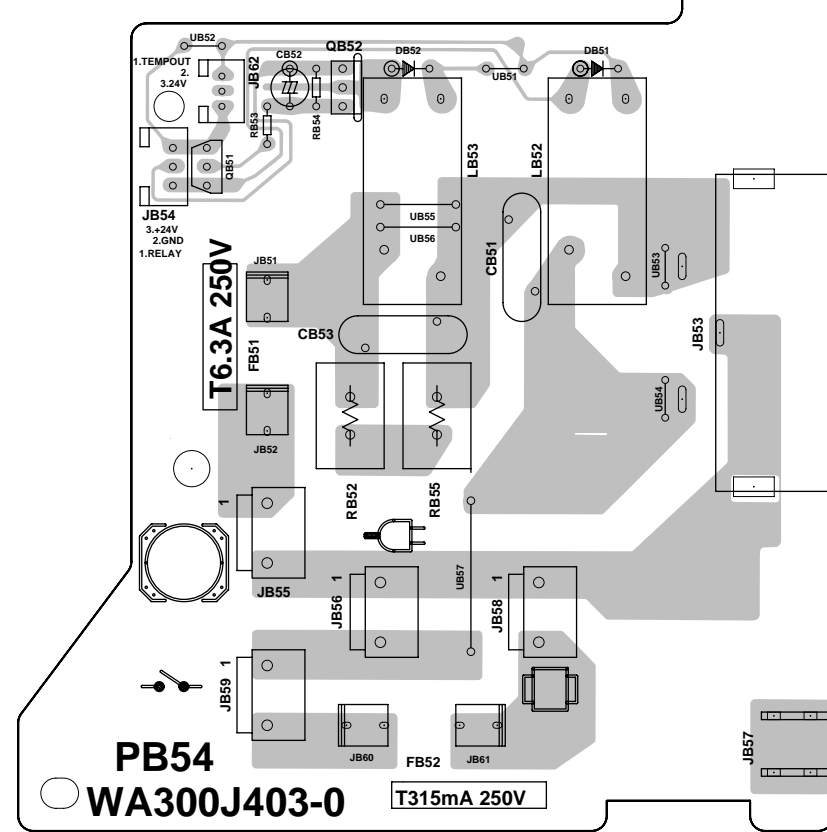
PB04

QB01 QB02

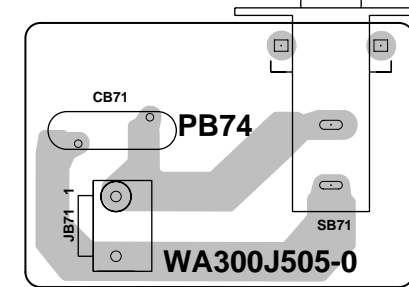


PB54

QB51 QB52

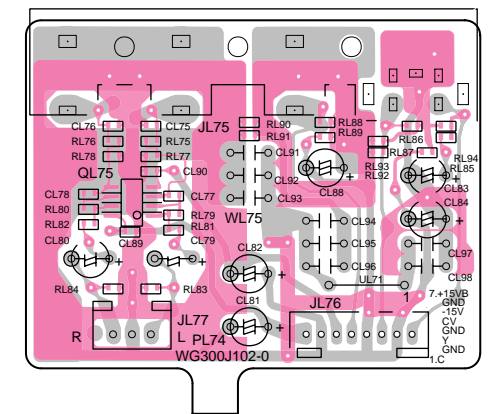


PB74

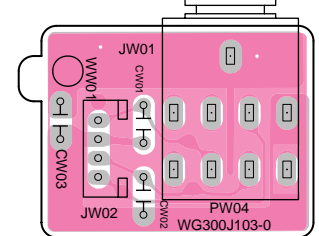


PL74

QL75



PW04



P604

QK05
QK03
QK01

QK06
QK04

QJ01

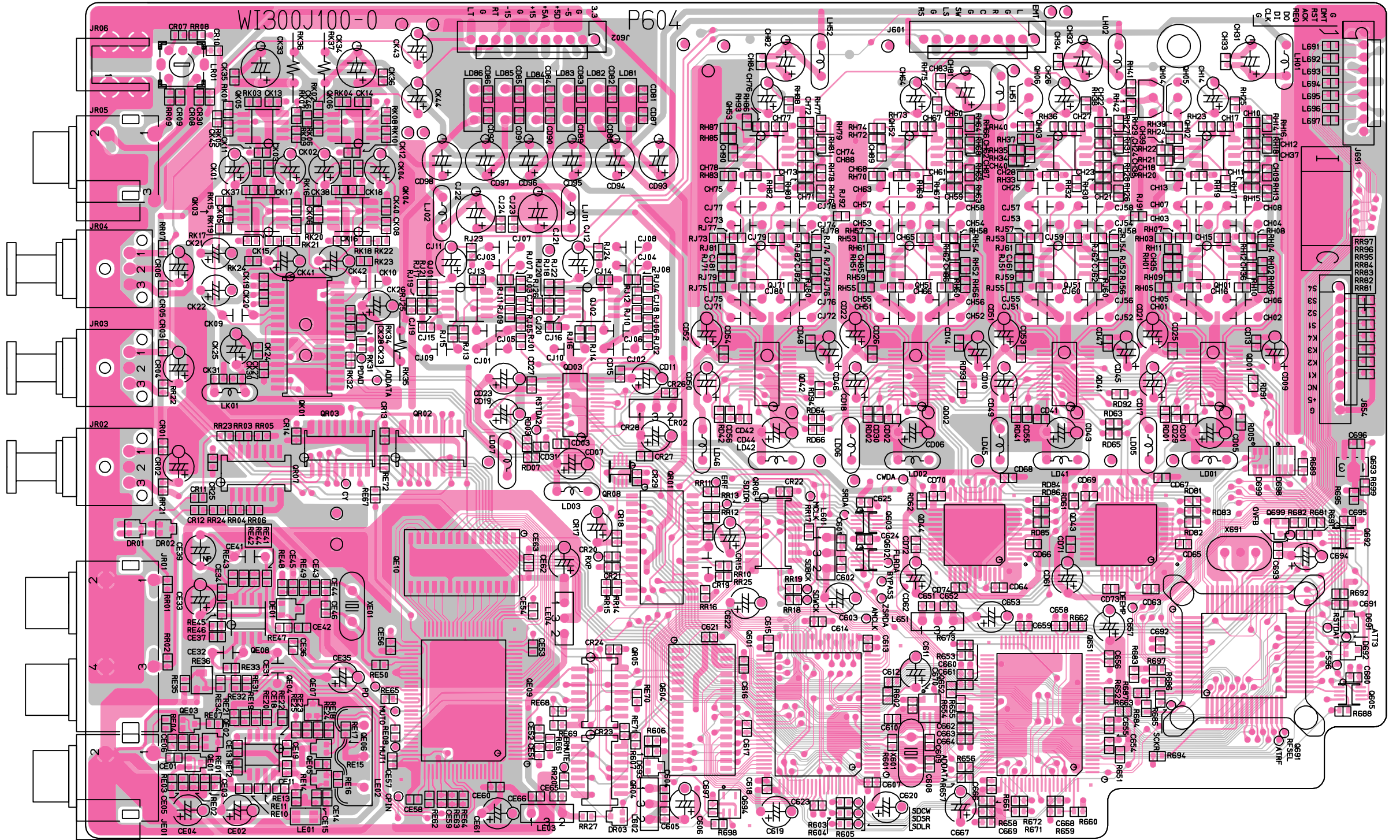
QJ02
QD03

QH53
QJ71
QD42

QH52
QH51
QD02

QH06 QH03
QJ51
QD41

QH04 QH05 QH02
QH01
QD01



QR07 QR03
QE08 QE01
QE01 - QE04 - QE07

QR02
QE10
QE09

QR08 QR01
QR05
QR04

Q604
Q694

QR06
Q601
Q602

Q603
Q602
Q652

QD04
Q651

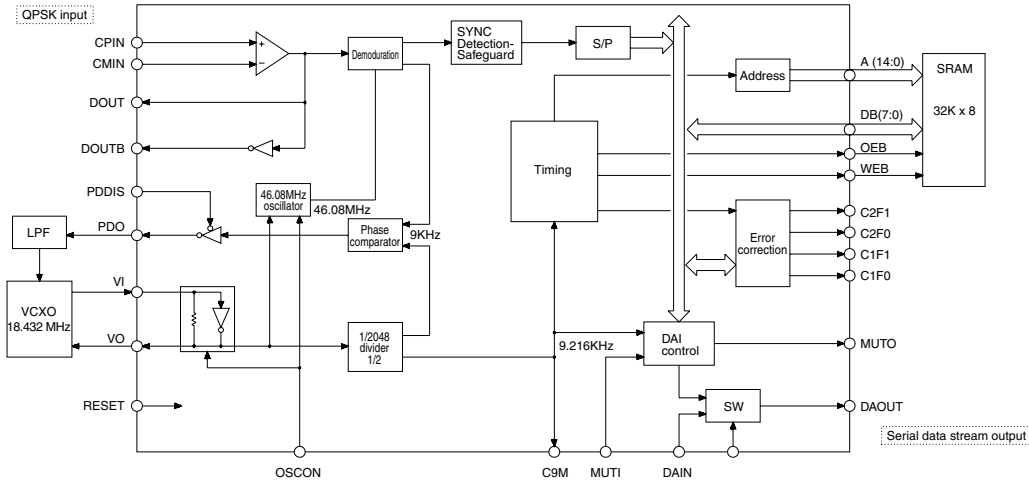
QD43

Q966
Q691

Q693
Q692
Q605

6. IC DATA

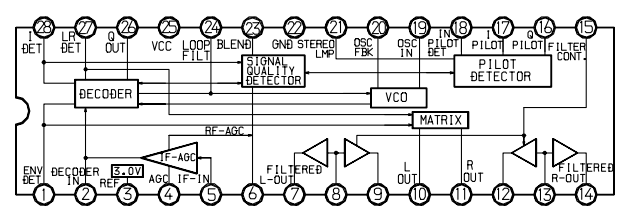
QM09:PM4007A



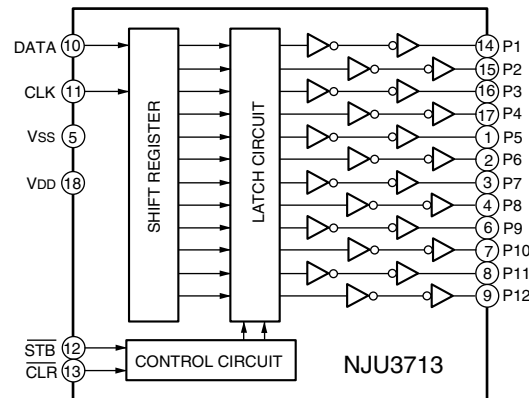
No.	Name	I/O	Function
1	GND	-	GND
2	VDD	-	+5V
3	RESET	I	System Reset At "L" reset
4	OSCON	I	Oscillator control At "H" during normal operation At "L" during standby
5	DATA	I	TEST
6	MCK	I	TEST
7	MLTB	I	TEST
8	IDST	O	TEST
9	IDCK	O	TEST
10	IDO	O	TEST
11	TM0	I	TEST
12	ECCK	O	TEST
13	DEN	O	TEST
14	DRY	O	TEST
15	MSYC	O	TEST
16	TM1	I	TEST
17	A0	O	RAM A0
18	A1	O	RAM A1
19	A2	O	RAM A2
20	A3	O	RAM A3
21	A4	O	RAM A4
22	A5	O	RAM A5
23	TM2	I	TEST
24	TM3	I	TEST
25	XOUT	O	TEST
26	XIN	I	TEST
27	XEXT	I	TEST
28	GND	-	GND
29	VDD	-	+5V
30	A6	O	RAM A6
31	A7	O	RAM A7
32	GND	-	GND
33	VDD	-	+5V
34	A12	O	RAM A12
35	A14	O	RAM A14
36	WEB	O	RAM WEB
37	A13	O	RAM A13
38	A8	O	RAM A8
39	A9	O	RAM A9
40	GND	-	GND
41	A11	O	RAM A11
42	OEB	O	RAM OE
43	A10	O	RAM A10
44	DB7	B	RAM D7
45	DB6	B	RAM D6
46	DB5	B	RAM D5
47	DB4	B	RAM D4
48	DB3	B	RAM D3
49	DB2	B	RAM D2
50	DB1	B	RAM D1

No.	Name	I/O	Function
51	DB0	B	RAM D0
52	VDD	-	+5V
53	GND	-	GND
54	TI1	I	TEST
55	VIN	I	VCXO input
56	VOU	O	VCXO output
57	TI2	I	TEST
58	TI3	I	TEST
59	TLDB	I	TEST
60	TCK	I	TEST
61	TRP	O	TEST
62	TDO	O	TEST
63	PDO	O	Phase comparator output (3-state)
64	TI4	I	TEST
65	PDDIS	I	Control input for PDO out At "L" Output ON
66	MUTO	O	Muting output. Mutes at "H". Sets to "H" when MUTI = H or the AC-3 period cannot be received.
67	TI5	I	TEST
68	VLDY	O	TEST
69	DASYO	O	TEST
70	DAOUT	O	Digital OUT (serial data stream output)
71	DAIN	I	Digital external input : Sets to DAOUT when DASEL is at "H"
72	DASEL	I	Selects digital OUT
73	TI8	I	TEST
74	C2F1	O	N.C.
75	C2F0	O	N.C.
76	C1F1	O	N.C.
77	C1F0	O	Displays C1 correction error status. Outputs error count at C1.
78	MUTI	I	Muting input. Mutes at "H".
79	VDD	-	+5V
80	GND	-	GND
81	AVDD	I	+5V
82	CPIN	I	Analog converter inverted input
83	CMIN	I	Analog converter inverted input
84	AGND	-	GND
85	TM4	I	TEST
86	VDD	-	+5V
87	DIN	I	TEST
88	DOUT	O	Analog converter inverted output
89	DOU	O	Analog converter inverted reverse output
90	C9M	O	N.C.
91	GND	-	GND
92	WINGT	O	TEST
93	SYST0	O	TEST
94	SYST1	O	TEST
95	ADST0	O	TEST
96	ADST1	O	TEST
97	TM5	I	TEST
98	BUNRI	I	TEST
99	AGND	-	GND
100	AVDD	-	+5V

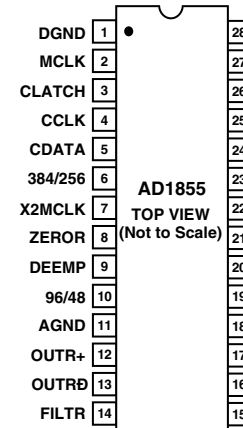
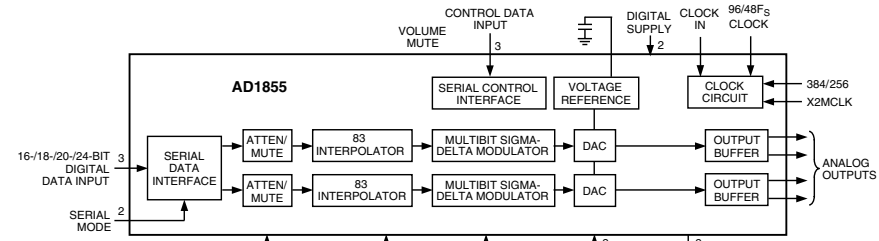
QA51:MC13022



QV01:NJU3713

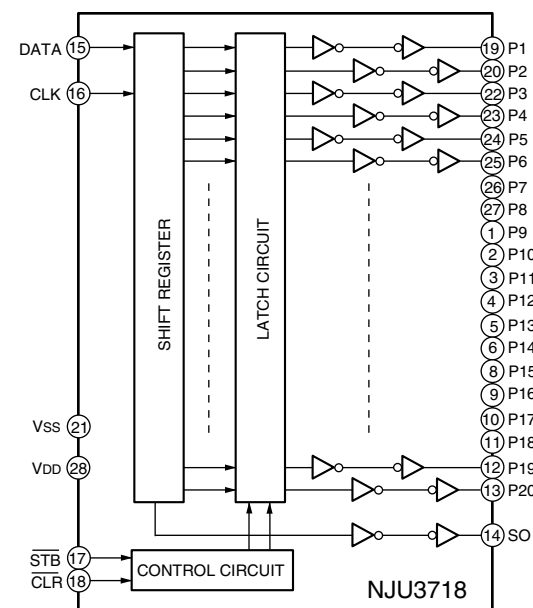


QD01/QD03/QD41/QD43:AD1855

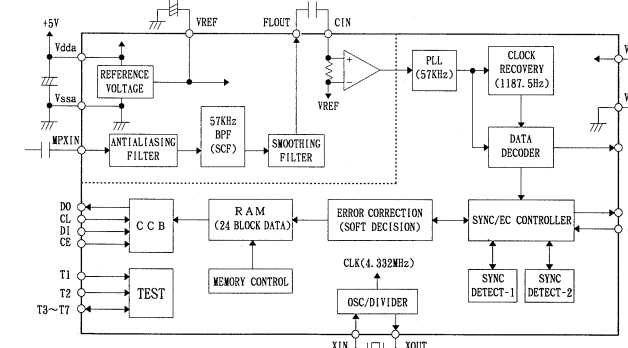


Pin	Input/Output	Pin Name	Description
1	I	DGND	Digital Ground.
2	I	MCLK	Master Clock Input. Connect to an external clock source at either 256, 384 or 512 Fs.
3	I	CLATCH	Latch input for control data. This input is rising-edge sensitive.
4	I	CCLK	Control clock input for control data. Control input data must be valid on the rising edge of CCLK. CCLK may be continuous or gated.
5	I	CDATA	Serial control input, MSB first, containing 16 bits of unsigned data per channel. Used for specifying channel specific attenuation and mute.
6	I	384/256	Selects the master clock mode as either 384 times the intended sample frequency (HI) or 256 times the intended sample frequency (LO). The state of this input should be hardwired to logic HI or logic LO, or may be changed while the AD1855 is in power-down/reset. It must not be changed while the AD1855 is operational.
7	I	X2MCLK	Selects internal clock doubler (LO) or internal clock = MCLK (HI).
8	O	ZEROR	Right Channel Zero Flag Output. This pin goes HI when Right Channel has no signal input for more than 1024 LR Clock Cycles.
9	I	DEEMP	De-Emphasis. Digital de-emphasis is enabled when this input signal is HI. This is used to impose a 50ms/15ms response characteristic on the output audio spectrum at an assumed 44.1 kHz sample rate.
10	I	96/48	Selects 48 kHz (LO) or 96 kHz Sample Frequency Control.
11, 15	I	AGND	Analog Ground.
12	O	OUTR+	Right Channel Positive line level analog output.
13	O	OUTRD	Right Channel Negative line level analog output.
14	O	FILTR	Voltage Reference Filter Capacitor Connection. Bypass and decouple the voltage reference with parallel 10m F and 0.1 m F capacitors to the AGND.
16	O	OUTLB	Left Channel Negative line level analog output.
17	O	OUTL+	Left Channel Positive line level analog output.
18	I	AVDD	Analog Power Supply. Connect to analog +5 V supply.
19	O	FILTB	Filter Capacitor connection. connect 10 m F capacitor to AGND.
20	I	IDPM1	Input serial data port mode control one. With IDPM0, defines one of four serial modes.
21	I	IDPM0	Input serial data port mode control zero. With IDPM1, defines one of four serial modes.
22	O	ZEROL	Left Channel Zero Flag output. This pin goes HI when Left Channel has no signal input for more than 1024 LR Clock Cycles.
23	I	MUTE	Mute. Assert HI to mute both stereo analog outputs. Deassert LO for normal operation.
24	I	PD/RST	Power-Down/Reset. The AD1855 is placed in a low power consumption mode when this pin is held LO. The AD1855 is reset on the rising edge of this signal. The serial control port registers are reset to the default values. Connect HI for normal operation.
25	I	L/RCLK	Left/Right clock input for input data. Must run continuously.
26	I	BCLK	Bit clock input for input data. Need not run continuously; may be gated or used in a burst fashion.
27	I	SDATA	Serial input, MSB first, containing two channels of 16, 18, 20, and 24 bits of two complement data per channel.
28	I	DVDD	Digital Power Supply Connect to digital +5 V supply.

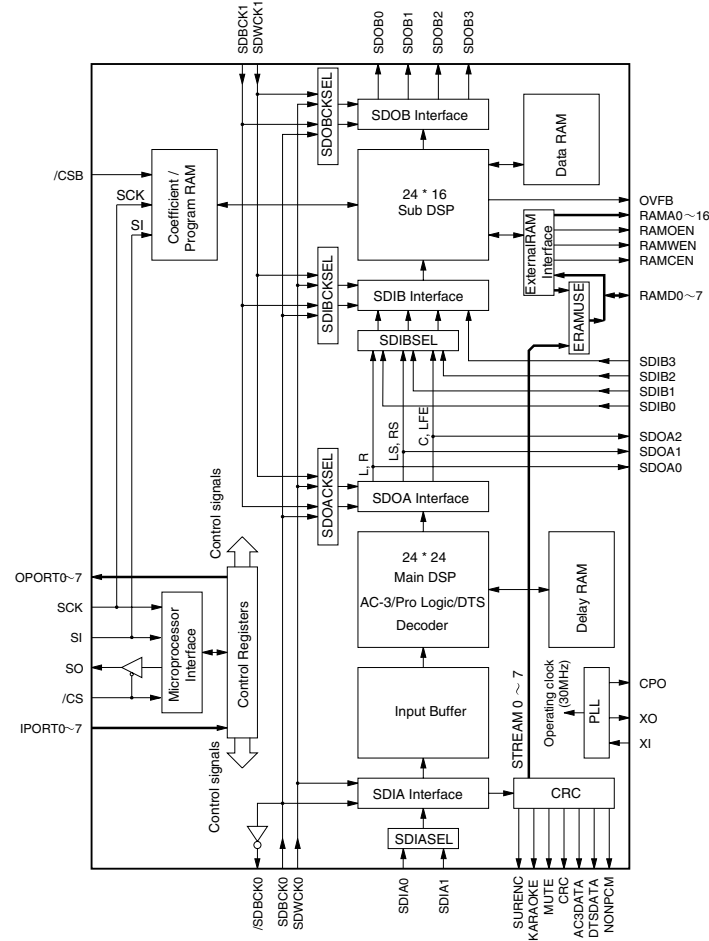
QL07/QU02:NJU3718



Q351:LC72720



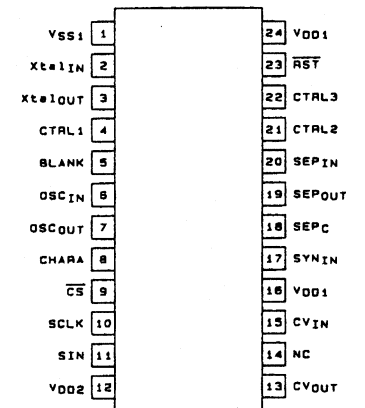
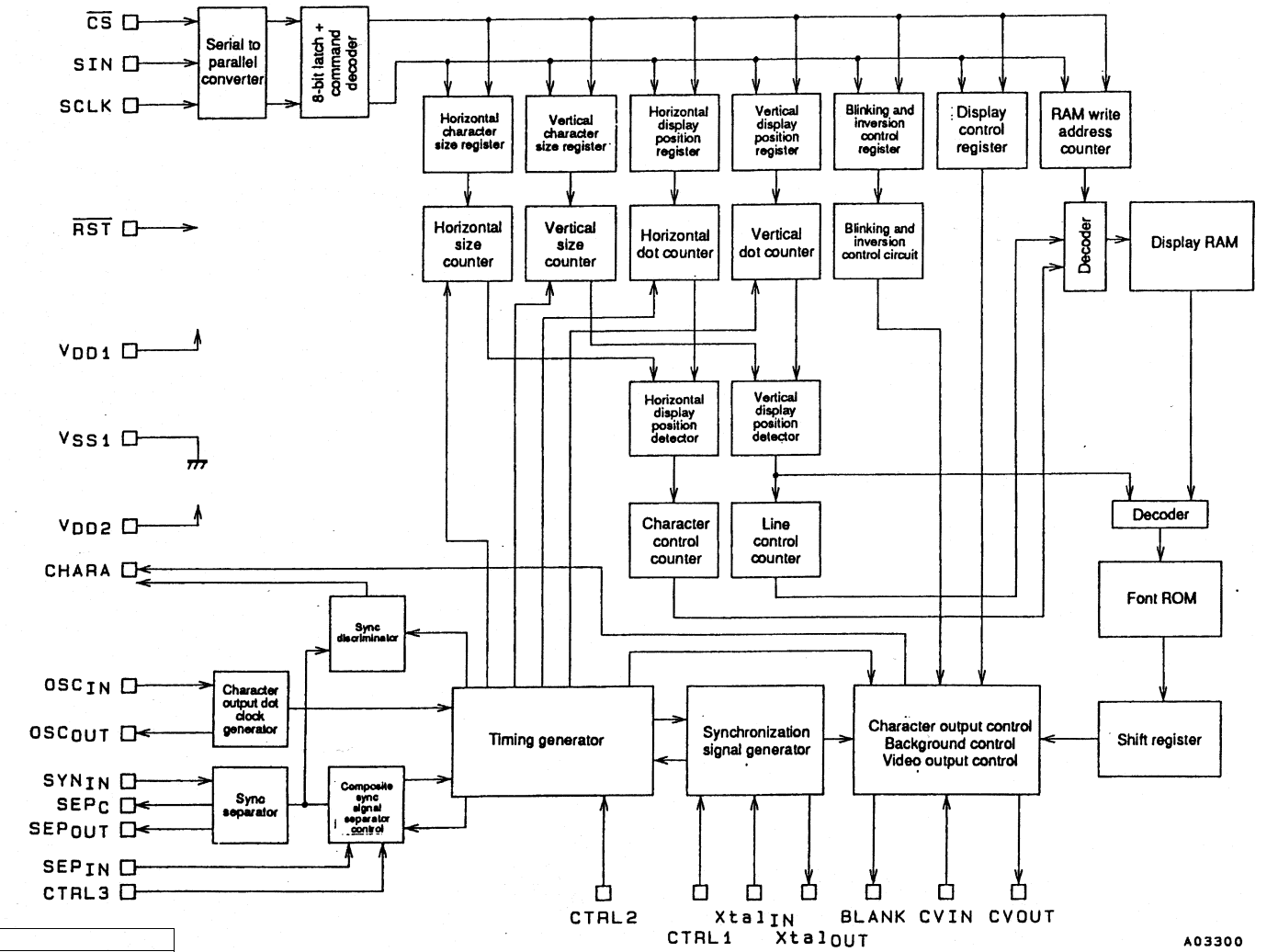
VREF	1	24	SVR
MPXIN	2	23	CE
Vdda	3	22	DI
Vssa	4	21	CL
FLOUT	5	20	DO
CIN	6	19	RDS-ID
T1	7	18	SYNC
T2	8	17	T7(CORREC/ARI-ID/BE0)
T3(CORCL)	9	16	T6(ERROR/57K/BE1)
T4(CORDA)	10	15	Vssd
T5(CSFT)	11	14	Vddi
		13	XIN

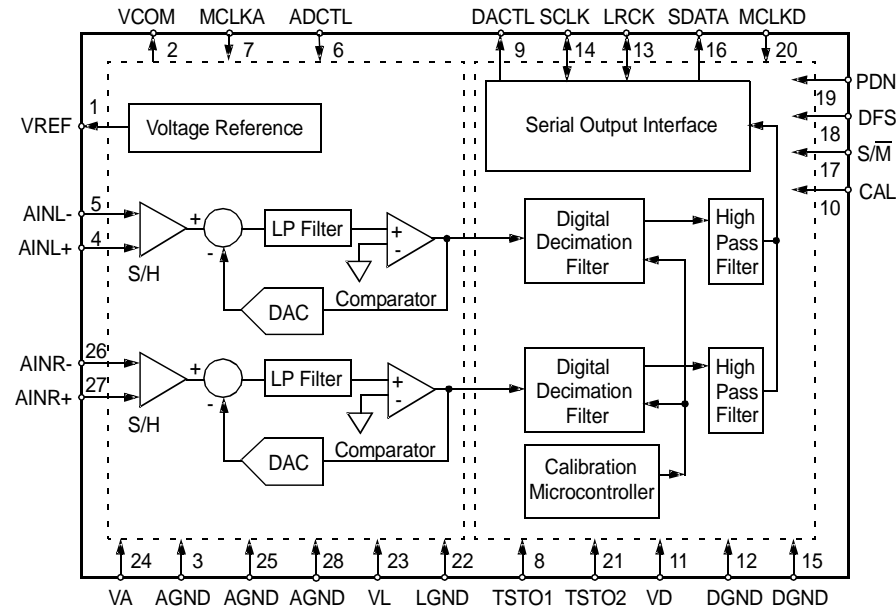


No.	NAME	I/O	FUNCTION
1	VDD1	-	+5V power supply (for I/Os)
2	RAMCEN	O	External SRAM Interface /CE
3	RAMA16	O	External SRAM Interface address 16
4	RAMA15	O	External SRAM Interface address 15
5	SDIB0	I+	PCM input 0 to Sub DSP
6	SDIB1	I+	PCM input 1 to Sub DSP
7	SDIB2	I+	PCM input 2 to Sub DSP
8	XI	I	Crystal oscillator connection or input external clock (12.288 MHz)
9	XO	O	Crystal oscillator connection
10	VSS	-	Ground
11	AVDD	-	+3.3V power supply (for PLL circuit)
12	SDIB3	I+	PCM input 3 to Sub DSP
13	TEST	O	Test terminal (to be open in normal use)
14	TEST	O	Test terminal (to be open in normal use)
15	OVFB	O	Detection of overflow at Sub DSP
16	DTSDATA	O	DTS data detection (Refer to "Status Register".)
17	AC3DATA	O	AC-3 data detection (Refer to "Status Register".)
18	SDOB3	O	PCM output from Sub DSP
19	CPO	A	Output terminal for PLL, to be connected to ground through the external analog filter circuit. (Refer to "External Circuit for PLL".)
20	AVSS	-	Ground (for PLL circuit)
21	VDD2	-	+3.3V power supply (for core logic)
22	SDOA2	O	PCM output from Main DSP (C, LFE)
23	SDOA1	O	PCM output from Main DSP (LS, RS)
24	SDOA0	O	PCM output from Main DSP (L, R)
25	RAMA14	O	External SRAM Interface address 14
26	RAMA13	O	External SRAM Interface address 13
27	RAMA12	O	External SRAM Interface address 12
28	RAMA11	O	External SRAM Interface address 11
29	RAMA10	O	External SRAM Interface address 10
30	VSS	-	Ground
31	VDD1	-	+5V power supply (for I/Os)
32	OPORT0	O	Output port for general purpose. (Refer to "OPORT Register")
33	OPORT1	O	Output port for general purpose. (Refer to "OPORT Register")
34	OPORT2	O	Output port for general purpose. (Refer to "OPORT Register")
35	OPORT3	O	Output port for general purpose. (Refer to "OPORT Register")
36	OPORT4	O	Output port for general purpose. (Refer to "OPORT Register")
37	OPORT5	O	Output port for general purpose. (Refer to "OPORT Register")
38	OPORT6	O	Output port for general purpose. (Refer to "OPORT Register")
39	OPORT7	O	Output port for general purpose. (Refer to "OPORT Register")
40	VSS	-	Ground
41	VDD2	-	+3.3V power supply (for core logic)
42	RAMA9	O	External SRAM interface address 9
43	RAMA8	O	External SRAM interface address 8
44	RAMA7	O	External SRAM interface address 7
45	SDOB2	O	PCM output from Sub DSP
46	SDOB1	O	PCM output from Sub DSP
47	SDOB0	O	PCM output from Sub DSP
48	SDBCK1	I+	Bit clock input for SDOA, SDIB, SDOB. (Refer to "SDOA, SDIB, SDOB Register")
49	SDWCK1	I+	Word clock input for SDOA, SDIB, SDOB. (Refer to "SDOA, SDIB, SDOB Register")
50	VSS	-	Ground

No.	NAME	I/O	FUNCTION
51	VDD2	-	+3.3V power supply (for core logic)
52	NONPCM	O	Detection of non PCM data. (Refer to "Status Register")
53	CRC	O	Detection of AC-3 CRC error. (Refer to "Status Register")
54	MUTE	O	Detection of auto-mute. (Refer to "Status Register")
55	KARAOKE	O	Detection of AC-3 karaoke data. (Refer to "Status Register")
56	SURENC	O	Detection of AC-3 2/0 mode Dolby surround encoded input (Refer to "Status Register")
57	SDBCK0	O	Inverted SDBCK0 clock output (refer to "Block diagram")
58	RAMA6	O	External SRAM Interface address 6
59	RAMA5	O	External SRAM Interface address 5
60	VSS	-	Ground
61	RAMA4	O	External SRAM Interface address 4
62	/IC	Is	Initial clear
63	TEST	O	Test terminal (to be open in normal use)
64	RAMA3	O	External SRAM Interface address 3
65	/CSB	Is+	Sub DSP Chip select
66	/CS	Is	Microprocessor interface Chip select
67	SO	Ot	Microprocessor interface Serial data output
68	SI	Is	Microprocessor interface/Sub DSP Serial data input
69	SCK	Is	Microprocessor interface/Sub DSP clock input
70	RAMA2	O	External SRAM Interface address 2
71	VDD1	-	+5V power supply (for I/Os)
72	RAMD0	I+/O	External SRAM Interface data (STREAM 0 output when External SRAM is not in use)
73	RAMD1	I+/O	External SRAM Interface data (STREAM 1 output when External SRAM is not in use)
74	RAMD2	I+/O	External SRAM Interface data (STREAM 2 output when External SRAM is not in use)
75	RAMD3	I+/O	External SRAM Interface data (STREAM 3 output when External SRAM is not in use)
76	RAMD4	I+/O	External SRAM Interface data (STREAM 4 output when External SRAM is not in use)
77	RAMD5	I+/O	External SRAM Interface data (STREAM 5 output when External SRAM is not in use)
78	RAMD6	I+/O	External SRAM Interface data (STREAM 6 output when External SRAM is not in use)
79	RAMD7	I+/O	External SRAM Interface data (STREAM 7 output when External SRAM is not in use)
80	VSS	-	Ground
81	VDD2	-	+3.3V power supply (for core logic)
82	SDWCK0	I	Word clock input for SDIA, SDOA, SDIB, SDOB (Refer to "SDIA, SDOA, SDIB, SDOB Register")
83	SDBCK0	I	Bit clock input for SDIA SDOA SDIB SDOB (Refer to "SDIA, SDOA, SDIB, SDOB Register")
84	SDIA0	I	AC-3/DTS bitstream (or PCM) data input for Main DSP (Refer to "SDIA Register")
85	SDIA1	I	AC-3/DTS bitstream (or PCM) data input for Main DSP (Refer to "SDIA Register")
86	RAMA1	O	External SRAM Interface address 1
87	RAMA0	O	External SRAM Interface address 0
88	RAMWEN	O	External SRAM Interface /WE
89	RAMOEN	O	External SRAM Interface /OE
90	VSS	-	Ground
91	VDD2	-	+3.3V power supply (for core logic)
92	IPORT7	I+	Input port for general purpose (Refer to "IPORT Register")
93	IPORT6	I+	Input port for general purpose (Refer to "IPORT Register")
94	IPORT5	I+	Input port for general purpose (Refer to "IPORT Register")
95	IPORT4	I+	Input port for general purpose (Refer to "IPORT Register")
96	IPORT3	I+	Input port for general purpose (Refer to "IPORT Register")
97	IPORT2	I+	Input port for general purpose (Refer to "IPORT Register")
98	IPORT1	I+	Input port for general purpose (Refer to "IPORT Register")
99	IPORT0	I+	Input port for general purpose (Refer to "IPORT Register")
100	VSS	-	Ground

Note) Is : Schmidt trigger input terminal
 I+ : Input terminal with a pull-up resistor
 O : Digital output terminal
 Ot : Tri-state digital output terminal
 A : Analog terminal





VOLTAGE REFERENCE	VREF	1	28	AGND	ANALOG GROUND
COMMON MODE VOLTAGE OUTPUT	VCOM	2	27	AINR+	RIGHT CHANNEL ANALOG INPUT+
ANALOG GROUND	AGND	3	26	AINR-	RIGHT CHANNEL ANALOG INPUT-
LEFT CHANNEL ANALOG INPUT+	AINL+	4	25	AGND	ANALOG GROUND
LEFT CHANNEL ANALOG INPUT-	AINL-	5	24	VA	POSITIVE ANALOG POWER
ANALOG CONTROL DATA INPUT	ADCTL	6	23	VL	ANALOG SECTION LOGIC POWER
ANALOG SECTION CLOCK INPUT	MCLKA	7	22	LGND	ANALOG SECTION LOGIC GROUND
TEST OUTPUT	TSTO1	8	21	TSTO2	TEST OUTPUT
CONTROL DATA OUTPUT	DACTL	9	20	MCLKD	DIGITAL SECTION CLOCK INPUT
CALIBRATION	CAL	10	19	PDN	POWER DOWN
DIGITAL SECTION POWER	VD	11	18	DFS	SERIAL DATA FORMAT SELECT
DIGITAL GROUND	DGND	12	17	S/M	SLAVE/MASTER MODE
LEFT/RIGHT CLOCK	LRCK	13	16	SDATA	SERIAL DATA OUTPUT
SERIAL CLOCK	SCLK	14	15	DGND	DIGITAL GROUND

Power Supply Connections

- VA - Analog Power, Pin 24.** Positive analog supply. Nominally +5 volts.
- VL - Logic Power, Pin 23.** Positive logic supply for the analog section. Nominally +5 volts.
- AGND - Analog Ground, Pins 3, 25, and 28.** Analog ground reference.
- LGND - Logic Ground, Pin 22.** Ground reference for the logic portions of the analog section.
- VD - Digital Power, Pin 11.** Positive supply for the digital section. Nominally +5 volts.
- DGND - Digital Ground, Pins 12 and 15.** Digital ground reference for the digital section.

Analog Inputs

- AINR-, AINR+ - Differential Right Channel Analog Inputs, Pins 26 and 27.** Analog input connections for the right channel differential inputs. Nominally 4.0 Vpp differential for full-scale digital output.
- AINL-, AINL+ - Differential Left Channel Analog Inputs, Pins 4 and 5.** Analog input connections for the left channel differential inputs. Nominally 4.0 Vpp differential for full-scale digital output.

Analog Outputs

- VCOM - Common Mode Voltage Output, Pin 2.** Nominally +2.5 volts. Requires a 10 mF electrolytic capacitor in parallel with 0.1 mF ceramic capacitor for decoupling to AGND. Caution is required if this output is used to bias the analog input buffer circuits. Refer to the CDB5394 as an example.
- VREF - Voltage Reference Output, Pin 1.** Nominally +4 volts. Requires a 100 mF electrolytic capacitor in parallel with 0.1 mF ceramic capacitor for decoupling to AGND.

Digital Inputs

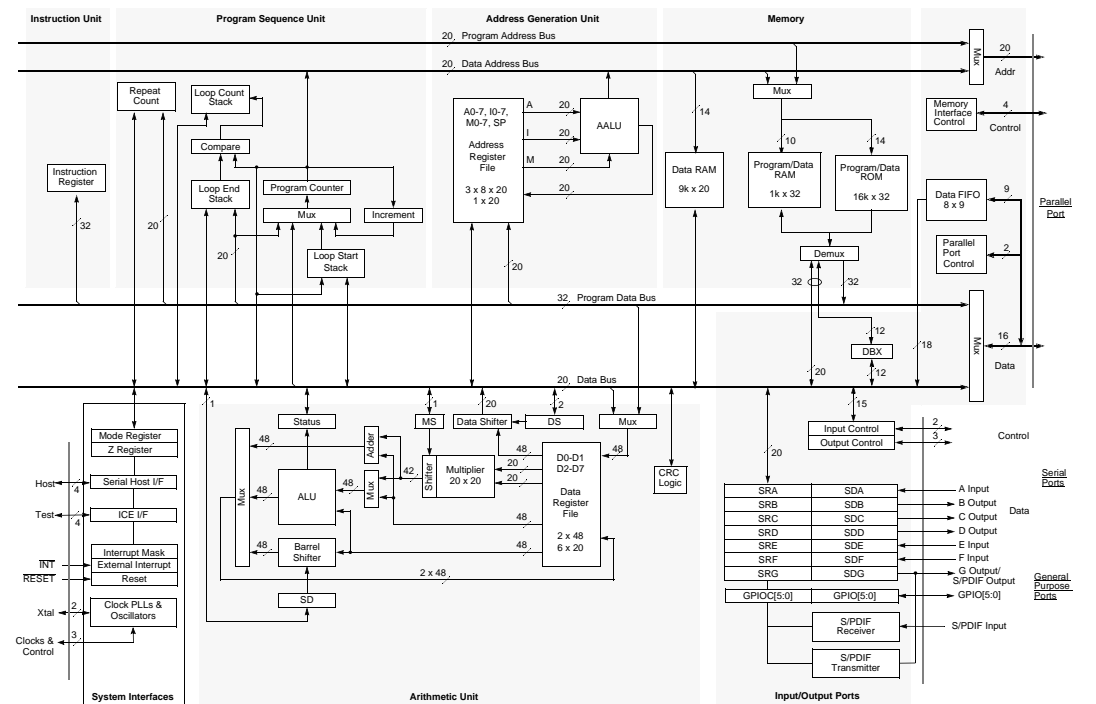
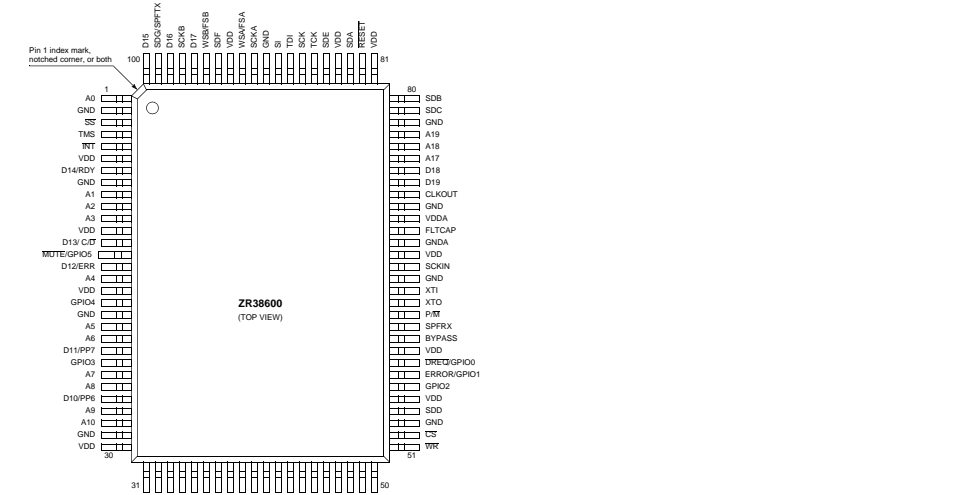
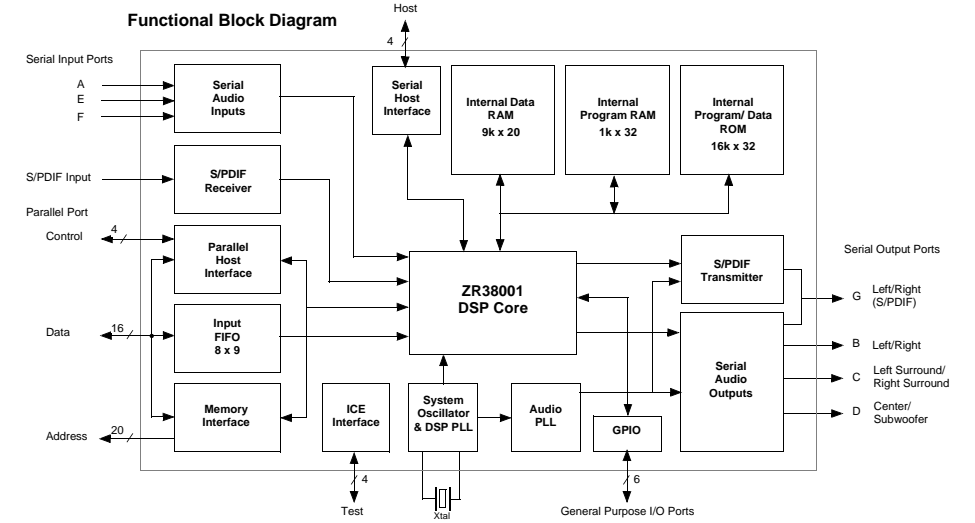
- ADCTL - Analog Control Input, Pin 6.** Must be connected to DACTL. This signal enables communication between the analog and digital circuits.
- DFS - Digital Format Select, Pin 18.** The relationship between LRCK, SCLK and SDATA is controlled by the DFS pin. When high, the serial output data format is I 2 S compatible. The serial data format is left-justified when low.
- CAL - Calibration, Pin 10.** Activates the calibration of the tri-level delta-sigma modulator on the rising edge of the CAL input.
- MCLKA - Analog Section Input Clock, Pin 7.** This clock is internally divided and controls the delta-sigma modulators. An MCLKA frequency of 12.288 MHz sets a modulator sampling rate of 3.072 MHz and a output sample rate of 48 kHz. MCLKA must be connected to MCLKD.
- MCLKD - Digital Section Input Clock, Pin 20.** MCLKD clocks the digital filter and must be connected to MCLKA. The required MCLKD frequency is determined by the desired sample rate. A MCLKD of 12.288MHz corresponds to Fs equal to 48 kHz. MCLKA must be connected to MCLKD.
- PDN - Power Down, Pin 19.** When high, the device enters power down. Upon returning low, the device enters normal operation and issues commands to initialize the voltage reference and synchronize the analog and digital sections of the device.
- S/M - Slave or Master Mode, Pin 17.** When high, the device is configured for Slave mode where LRCK and SCLK are inputs. The device is configured for Master mode where LRCK and SCLK are outputs when S/M is low.

Digital Outputs

- DACTL - Digital to Analog Control Output, Pin 9.** Must be connected to ADCTL. This signal enables communication between the digital and analog circuits.
- SDATA - Digital Audio Data Output, Pin 16.** The 24-bit audio data is presented MSB first, in 2's complement format. This pin has an internal pull-down resistor and must remain low during the power-up sequence to avoid accessing a test mode.
- LRCK - Left/Right Clock, Pin 13.** LRCK determines which channel, left or right, is to be output on SDATA. The relationship between LRCK, SCLK and SDATA is controlled by the Digital Format Select (DFS) pin. Although the outputs for each channel are transmitted at different times, Left/Right pairs represent simultaneously sampled analog inputs. In master mode, LRCK is an output whose frequency is equal to Fs. In Slave Mode, LRCK is an input whose frequency must be equal to Fs.
- SCLK - Serial Data Clock, Pin 14.** Clocks the individual bits of the serial data from SDATA. The relationship between LRCK, SCLK and SDATA is controlled by the Digital Format Select (DFS) pin. In master mode, SCLK is an output clock at 64•L Fs. In slave mode, SCLK is an input which requires a continuously supplied clock at any frequency from 48•L to 128•L Fs (64•L is recommended).

Miscellaneous

- TSTO1, TSTO2 - Test Outputs, Pins 8 and 21.** These pins are intended for factory test outputs. They must not be connected to any external component or any length of circuit trace.



Detailed Block Diagram

QY01:TMP93CW40DF

Pin Description

No	Port Name	I/O	USE	Sig. Name	Act.	Description
1	VREFL	I	-	-	-	A/D VREFL
2	AVSS	I	-	-	-	A/D VSS
3	AVCC	I	-	-	-	A/D VCC
4	NMI	I	NMI	-	-	Pull Up
5	P70/TI0	I/O	O	POWER OFF	L	
6	P71/TO1	I/O	O	KILL IR	H	
7	P72/TO2	I/O	O	RC-5 OUT	H	
8	P73/TO3	I/O	O	SPEAKER OFF	H	SPK RELAY
9	P80/INT4	I/O	I	RC-5 IN	H	Both Edge
10	P81/INT5	I/O	I	SYNC0	H	Rising Edge
11	P82/TO4	I/O	I	HEAD PHONE	L	
12	P83/TO5	I/O	I	-	-	Fixed
13	P84/INT6	I/O	I	SURR. ACK	L	Both Edge
14	P85/INT7	I/O	I	SYNC1	H	Rising Edge
15	P86/TO6	I/O	I	MULTI RC-5 IN	L	
16	P87/INT0	I/O	I	POWER DOWN	L	
17	P90/TXD0	I/O	TXD	DO0	-	I/F to SURR. uP
18	P91/RXD0	I/O	RXD	DI0	-	I/F to SURR. uP
19	P92/SCLK0	I/O	SCLK	CLK0	-	I/F to SURR. uP
20	P93/TXD1	I/O	TXD	DO1	-	I/F to ICs
21	P94/RXD1	I/O	RXD	DI1	-	I/F to ICs
22	P95/SCLK1	I/O	SCLK	CLK1	-	I/F to ICs
23	AM8/_16	I	-	-	-	Pull Up
24	CLK	O	-	-	-	Pull Up
25	VCC	I	-	-	-	Pull Up
26	VSS	I	-	-	-	to VSS
27	X1	I	-	-	-	20MHz
28	X2	O	-	-	-	20MHz
29	EA	I	-	-	-	Pull Up
30	RESET	I	-	-	-	
31	P96/XT1	I/O	I	-	-	to VSS
32	P97/XT2	I/O	I	-	-	to VSS
33	TEST1	I	-	-	-	to TEST2
34	TEST2	I	-	-	-	to TEST1
35	PA0	I/O	O	OSD ON0	H	
36	PA1	I/O	O	OSD ON1	H	
37	PA2	I/O	O	CLR LED	L	NJU3718 CLR
38	PA3	I/O	O	MULTI RC-5 OUT	H	
39	PA4	I/O	O	LARGE/SMALL	L	LARGE = L
40	PA5	I/O	O	SMUTE	H	

Act.: Active level

Q691:μPD78018

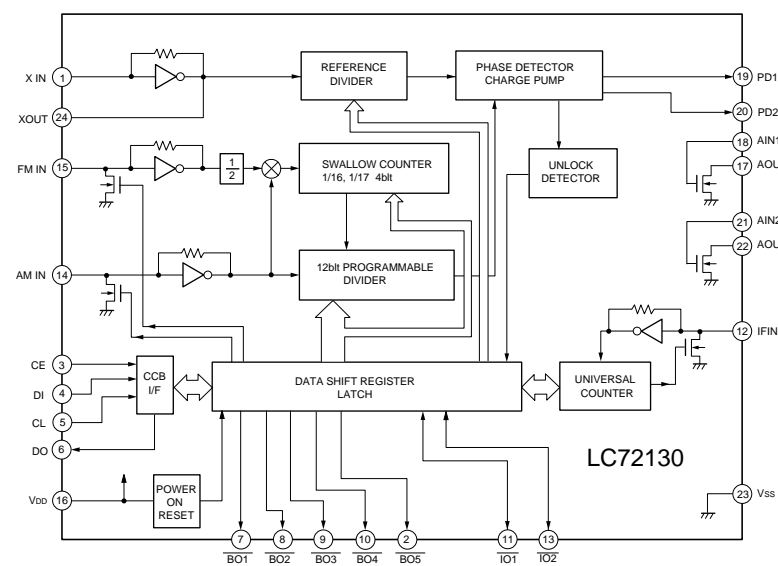
Pin Description

No	Port Name	I/O	USE	Sig. Name	Act.	Description
1	P30/TO0	I/O	I	CO_E0	-	DIR Status
2	P31/TO1	I/O	I	Ca_E1	-	DIR Status
3	P32/TO2	I/O	I	Cb_E2	-	DIR Status
4	P33/TI1	I/O	I	Cc_F0	-	DIR Status
5	P34/TI2	I/O	I	Cd_F1	-	DIR Status
6	P35/PCL	I/O	I	Ce_F2	-	DIR Status
7	P36/BUZ	I/O	O	TEST_COM	H	For Check SIO0 Interface
8	P37	I/O	I	OLD_OVFB	H	keep in port for SR880MK2
9	Vss	I	-	GND	-	GND
10	P40	I/O	O	ISEL1	-	SPDIF input select
11	P41	I/O	O	ISEL2	-	SPDIF input select
12	P42	I/O	O	CSEL1	-	SPDIF output select
13	P43	I/O	O	CSEL2	-	SPDIF output select
14	P44	I/O	O	KILLC	H	Kill SPDIF output
15	P45	I/O	O	ATRF	H	Auto RF select
16	P46	I/O	O	RFSEL	H	RF select
17	P47	I/O	O	DIG_ANA	-	Digital/ Analog select
18	P50	I/O	O	SMUTE	H	Soft mute by DAC
19	P51	I/O	O	UMUTE	L	Hard mute by Tr.
20	P52	I/O	O	FS96	H	Fs=96k set
21	P53	I/O	O	BYPASS	H	Bypass DSP
22	P54	I/O	O	_CS_DSP1	L	I/F Q601 (main DSP)
23	P55	I/O	O	_CSB_DSP1	L	I/F Q601 (sub DSP)
24	Vss	I	-	GND	-	GND
25	P56	I/O	O	_SS_DSP2	L	I/F Q651
26	P57	I/O	O	C_EF_DIR	-	DIR Status Out Select
27	P60	I/O	O	_RSTRF	L	Reset to PM4007
28	P61	I/O	O	ADCAL	H	Cal. to ADC
29	P62	I/O	O	_RSTDSP2	L	Reset to Q651
30	P63	I/O	O	ATT3	L	Attenuate to Bypass
31	P64	I/O	O	_RSTDA1	L	Reset to DAC
32	P65	I/O	O	_RSTDA2	L	Reset to DAC

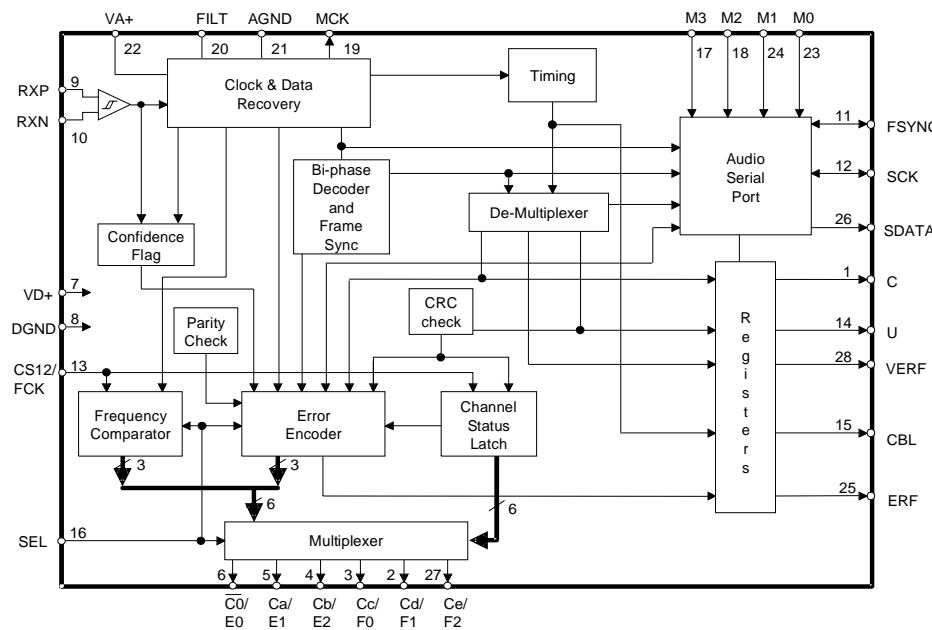
Act. : Active level , OPT : Option

No	Port Name	I/O	USE	Sig. Name	Act.	Description
33	P66/WAIT	I/O	O	IC	L	Reset to Q601
34	P67/ASTB	I/O	O	RSTDIR	H	DIR Ch. Status Select
35	RESET	I	I	RSTC	L	I/F Master CPU
36	P00/INTP0	I	I	OVFB	-	Over load to DSP
37	P01/INTP1	I/O	I	REQ	L	I/F Master CPU
38	P02/INTP2	I/O	I	ERF	H	SPDIF Error status
39	P03/INTP3	I/O	I	_RFNODET	L	RF input status
40	Vdd	I	-	+5V	-	+5v
41	X2	O	-	-	-	10MHz
42	X1	I	-	-	-	10MHz
43	IC	I	-	-	-	to GND
44	XT2	O	-	n.c.	-	Open
45	P04/XT1	I	-	n.c.	-	Vdd
46	Avss	I	-	GND	-	GND
47	P10/ANI0	I/O	ANI	KEY1	-	Optional 8 key input
48	P11/ANI1	I/O	ANI	KEY2	-	Optional 8 key input
49	P12/ANI2	I/O	ANI	KEY3	-	Optional 8 key input
50	P13/ANI3	I/O	ANI	KEY4	-	Optional 8 key input
51	P14/ANI4	I/O	I	SWITCH1	-	Link Host or Stand alone
52	P15/ANI5	I/O	I	SWITCH2	-	THX or Not
53	P16/ANI6	I/O	I	SWITCH3	-	ADC or CODEC
54	P17/ANI7	I/O	O	PDAD	-	ADC Power Down
55	AVdd	I	-	+5v	-	+5v
56	AVref	I	-	+5v	-	+5v
57	P20/SI1	I/O	I	SI1	-	I/F Master CPU
58	P21/SO1	I/O	O	SO1	-	I/F Master CPU
59	P22/SCK1	I/O	I	SCK1	-	I/F Master CPU
60	P23/STB	I/O	O	_ACK	L	I/F Master CPU
61	P24/BUSY	I/O	O	DEEMP	-	Pull Up
62	P25/SI0	I/O	I	SI0	-	I/F Q601&Q651
63	P26/SO0	I/O	O	SO0	-	I/F Q601&Q651
64	P27/SCK0	I/O	O	SCK0	-	I/F Q601&Q651

Q501:LC72130

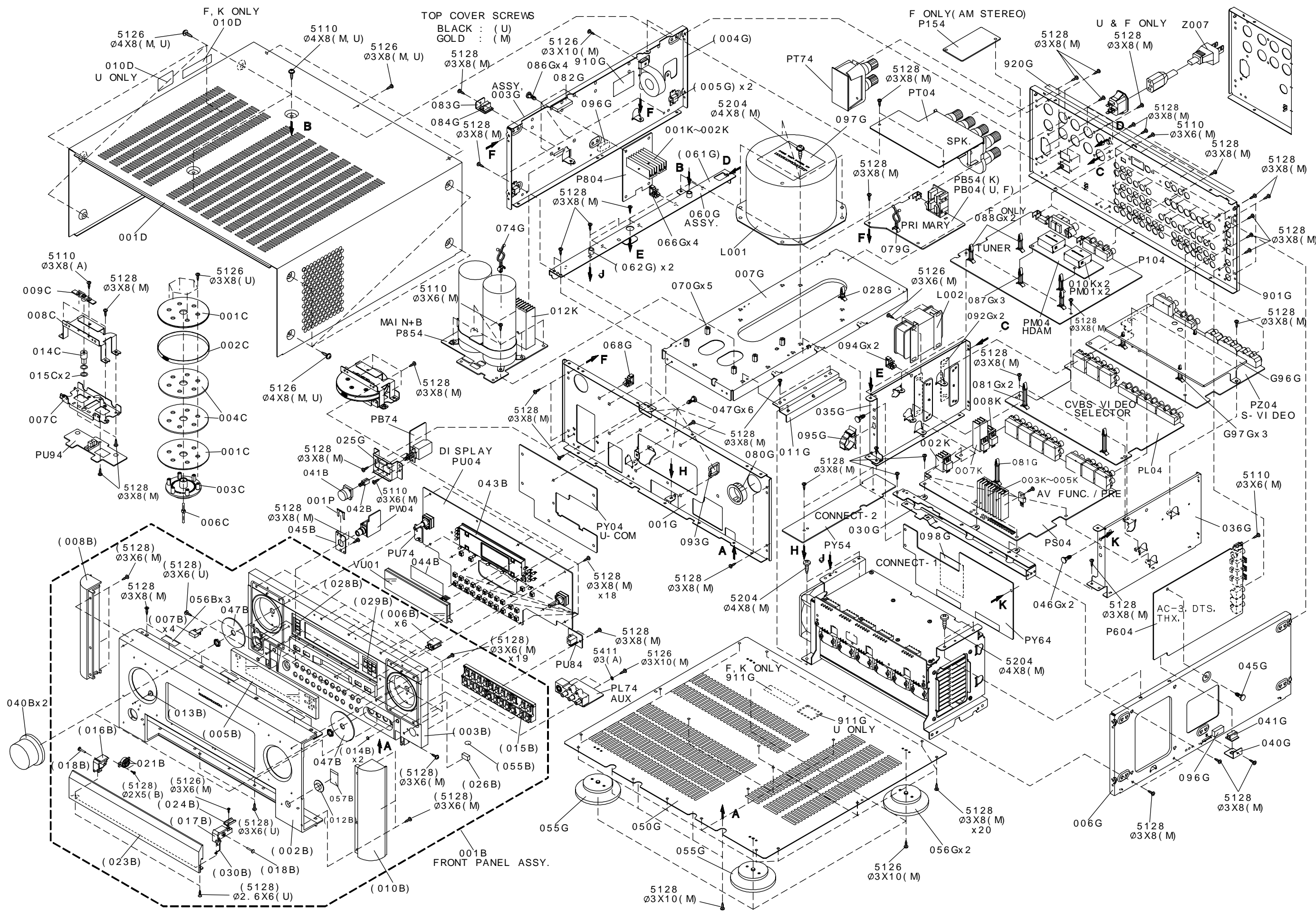


QR01:CS8414

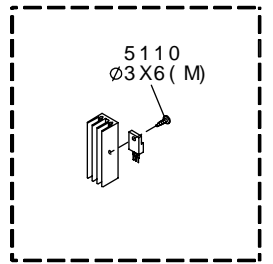


Pin	Signal Name	Description
1	C	DIGITAL POWER
2	Cd/F1	CS d/FREQ REPORT 1
3	Cc/F0	CS c/FREQ REPORT 0
4	Cb/E2	CS b/ERROR CONDITION 2
5	Ca/E1	CS a/ERROR CONDITION 1
6	C0/E0	CS 0/ERROR CONDITION 0
7	VD+	DIGITAL POWER
8	DGND	DIGITAL GROUND
9	RXP	RECEIVE POSITIVE
10	RXN	RECEIVE NEGATIVE
11	FSYNC	FRAME SYNC
12	SCK	SERIAL DATA CLOCK
13	CS12/FCK	CHANNEL SELECT/FLOCK
14	U	FRAME SYNC
15	CBL	CHANNEL SELECT/FLOCK
16	SEL	FREQ/CS SELECT
17	M3	SERIAL PORT MODE SELECT 3
18	M2	SERIAL PORT MODE SELECT 2
19	MCK	MASTER CLOCK
20	FILT	FILTER
21	AGND	ANALOG GROUND
22	VA+	ANALOG POWER
23	M0	SERIAL PORT MODE SELECT 0
24	M1	SERIAL PORT MODE SELECT 1
25	ERF	ERROR FLAG
26	SDATA	SERIAL OUTPUT DATA
27	Ce/F2	CS e/FREQ REPORT 2
28	VERF	FRAME SYNC

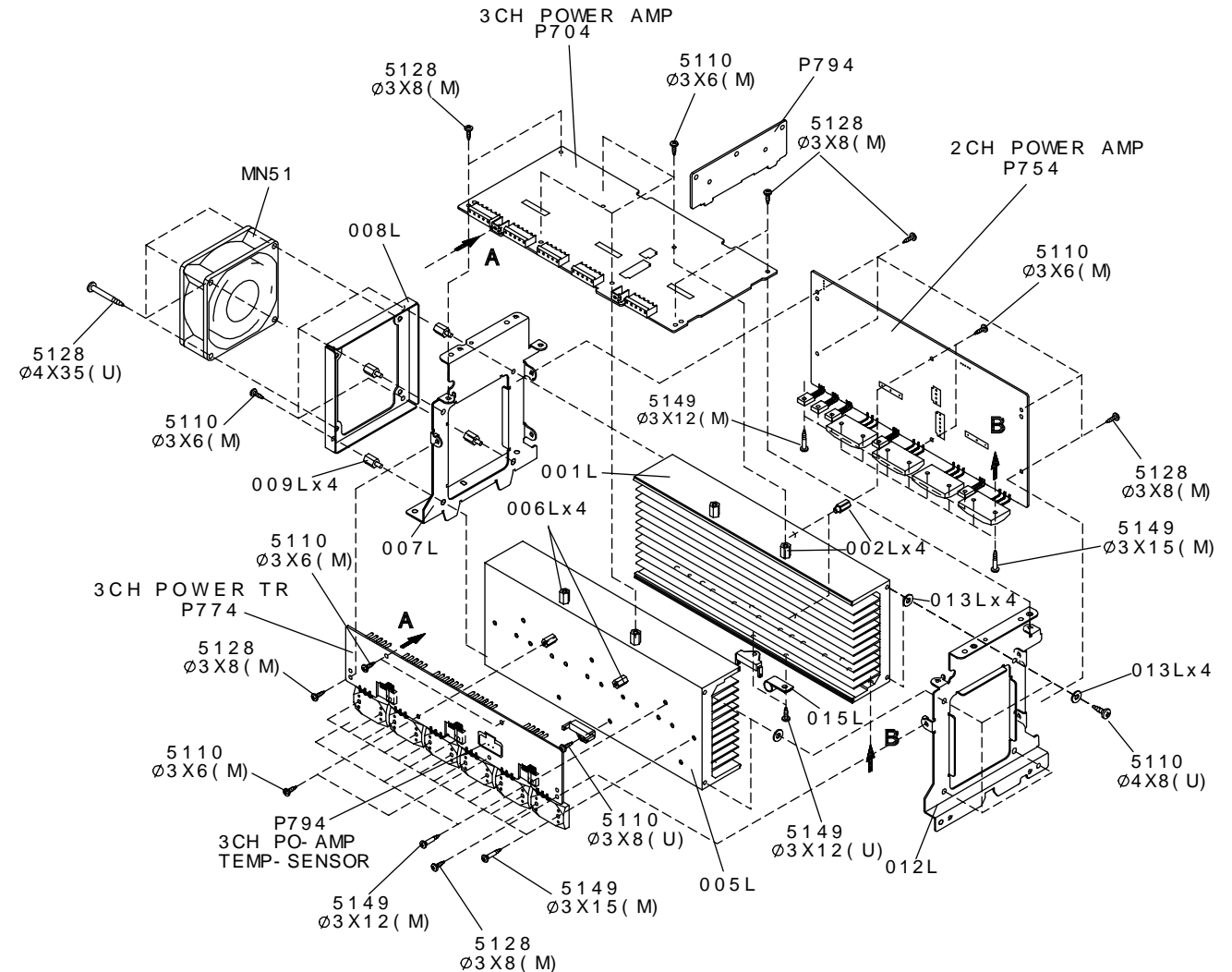
7. EXPLODED VIEW AND PARTS LIST



POS. NO	VERS. COLOR	PART NO. (FOR PCS)	DESCRIPTION	PART NO. (MJI)	POS. NO	VERS. COLOR	PART NO. (FOR PCS)	DESCRIPTION	PART NO. (MJI)
001B	BLACK		FRONT PANEL KIT BL	300J248500	090G			H.HEAD BOLT	52040408M0
001B	GOLD		FRONT PANEL KIT GL	300J248510	014K			BUSHING SPK.TERMINAL CAP T10336 94HB	227J259010
002B	BLACK		FRONT PANEL BL	300J248010					
002B	GOLD		FRONT PANEL GL	300J248110	015K			BUSHING SPK.TERMINAL CAP T10336 94HB	227J259010
003B	BLACK		FRONT MOULD PANEL BL	300J248050					
003B	GOLD		FRONT MOULD PANEL GL	300J248150					
005B	BLACK		WINDOW FL BL	300J158010	JL21			SHORT PIN WITH COVER	YQ01000080
005B	GOLD		WINDOW FL GL	300J158110	S				
006B			LENS FUNCTION LED	300J355010	JL25				
007B	BLACK		BUTTON GYRO SIDE FUNCTION BL	300J270020	▲ J001			JACK 2P AC INLET PWH1910-H	YJ04002440
					▲ L001	K		POWER TRANSF. 220V 50Hz	TS42002080
007B	GOLD		BUTTON GYRO SIDE FUNCTION GL	300J270120	▲ L001	KS		POWER TRANSF. 230V 50Hz	TS42002090
					▲ L001	U		POWER TRANSF. 120V 60Hz	TS42002100
					▲ L002	K		POWER TRANSF. 220V 50/60Hz	TS17205090
008B	BLACK		ESCUTCHEON CORNER L SIDE BL	300J063010				POWER TRANSF. 230V 50/60Hz	TS17205100
008B	GOLD		ESCUTCHEON CORNER L SIDE GL	300J063110	▲ L002	KS		POWER TRANSF. 120V 60Hz	TS16404120
010B	BLACK		ESCUTCHEON CORNER R SIDE BL	300J063020	▲ L002	U		FERRITE CORE TFCK-25-15-12	FC50250020
010B	GOLD		ESCUTCHEON CORNER R SIDE GL	300J063120	L003	KS		FERRITE CORE TFCK-25-15-12	FC50250020
					L004	U	4822 526 10691	FERRITE CORE TFCK-16-8-13	FC50160030
012B	BLACK	4822 381 12015	LENS IR BL	256J355040	L005		4822 526 10691	FERRITE CORE TFCK-16-8-13	FC50160030
012B	GOLD	4822 381 12016	LENS IR GL	256J355030	L006		4822 526 10691	FERRITE CORE TFCK-16-8-13	FC50160030
013B		4822 381 11677	LENS POWER LED	230K355020					
014B		4822 462 71955	BUFFER DOOR	446T056010					
015B	BLACK		BUTTON FUNCTION BLOCK	300J270010					
015B	GOLD		BUTTON FUNCTION BLOCK	300J270110	001T	K KS		PACKING USER GUIDE FOR K KS	300J851350
016B	BLACK		ARM DOOR HINGE L SIDE BL	300J002010	001T	U		PACKING USER GUIDE FOR U	300J851250
016B	GOLD		ARM DOOR HINGE L SIDE GL	300J002110					
017B	BLACK		ARM DOOR HINGE R SIDE BL	300J002020	Z001			REMOTE COMMANDER RC-18SR	ZK300J0010
017B	GOLD		ARM DOOR HINGE R SIDE GL	300J002120					
018B			SHAFT DOOR	300J112010	▲ Z007	K		MAINS CORD 2.5A 250V	ZC01803090
021B		4822 529 10215	DAMPER DOOR	391H130030	▲ Z007	KS	4822 321 11439	MAINS CORD 2P 10A 250V	ZC01803080
023B	BLACK		DOOR PANEL BL	300J162010	▲ Z007	U		MAINS CORD 125V 13A UL/CSA	ZC01802100
023B	GOLD		DOOR PANEL GL	300J162110					
026B		4822 526 20213	MAGNET DOOR	271K305500	▲ Z008	KS		MAINS CORD 10A 250V	ZC01804070
028B			MASK WINDOW SHEET L	300J303010					
029B			MASK WINDOW SHEET R	300J303020					
030B			SPRING DOOR ESD	300J115010					
040B	BLACK		KNOB MASTER BL	300J154010					
040B	GOLD		KNOB MASTER GL	300J154110					
041B	BLACK	4822 410 11275	BUTTON POWER BL	176J270050					
041B	GOLD	4822 410 11276	BUTTON POWER GL	176J270150					
042B		4822 404 21012	JOINT POWER JOINT	025J125010					
043B		4822 256 92097	HOLDER FL	183J271020					
044B		4822 459 11158	STICKER FL ADHESIVE TAPE	056J122010					
049B		4822 532 21196	FLAT WASHER L. VIDEO	54110149A0					
057B	GOLD		MASK IR	300J303030					
001C	BLACK	4822 410 11675	ESCUTCHEON GYRO UP DOWN BL	290J063010					
001C	GOLD	4822 410 11676	ESCUTCHEON GYRO UP DOWN GL	290J063110					
002C	BLACK		RUBBER RING GYRO BL	290J066010					
002C	GOLD		RUBBER RING GYRO GL	290J066110					
003C			FLYWHEEL GYRO BASE	290J273110					
006C			SHAFT GYRO MAIN	290J112010					
009C			RETAINER GYRO UPPER	290J104050	001S	UBL		PACKING CASE BL	300J801010
014C			SHAFT GYRO SUSTAINER UNDER	300J112020	001S	UGL		PACKING CASE GL	300J801010
					002S			CUSHION L SIDE	300J809010
					003S			CUSHION R SIDE	300J809020
001D	BLACK		LID TOP COVER BL PVC	300J257010	Z003	K		FM ANTENNA 931222R	ZA02800020
001D	GOLD		LID TOP COVER GL PVC	300J257110	Z003	U	4822 303 30314	FM EXT. ANTENNA	ZA02000070
					Z004		4822 157 63083	ANT COIL LA-700HB LOOP	LA00055010
012G			H.HEAD BOLT	52040408M0	Z005	U	4822 264 30265	PLUG ANT ADAPTER	YP90000310
021G			H.HEAD BOLT	52040408M0	Z006	K	4822 265 10092	JACK AC ADAPTER S-I6116	YJ04001240
055G			LEG FRONT GOLD PAINT	264J057040					
056G			LEG REAR GOLD PAINT	264J057140					
089G			T.L. WASHER	54050400M0					



SYMBOL	STYLE	PARTS NAME	MARK	MATERIAL/FINISH
5110	⊗	+B. H. M. SCREW	(M)	STEEL/COPPER
5126	⊗	+B. H. TAP TITE SCREW W WASHER	(U)	STEEL/BLACK
5128	⊗	+B. H. TAP TITE SCREW (B TYPE)	(A)	STEEL/CHROMATE
5149	⊗	+B. H. M. SCREW (W WASHER/ SP WASHER)	(B)	STEEL/CHROMATE
5204	⊗	+H. H. TAPT. BOLTS W TH FLANGE (S TITE)		
5411	⊗	FLAT WASHERS		



8. SERVICE PROGRAM

REMARK

If these service programs are set, All user preset memories will be cleared.

1. FACTORY mode (Tracking point memory)

This **FACTORY mode** can be use for measurement of the tuner circuit.

When the product is POWER ON, press both [**MEMO**] and [**DISPLAY OFF**] buttons simultaneously over 3 seconds.

FLD shows "**FACTORY**" for 3 seconds. Press [**PRESET**] button, FLD shows "**PRESET SEL**".

The tuning frequencies are memorized as follows.

Band	VERSION	P1	P2	P3	P4
FM AUTO [MHz]	U, K, KS,N	90.0	98.0	106.0	87.5
	F	78.0	83.0	88.0	76.0

Band	SCAN STEP	P5	P6	P7	P8	P9	P10	P11	P12
AM [kHz]	10 kHz(U)	600	1000	1400	520				
	9kHz(F, K, KS)	603	999	1404	531				
	MW/LW(N)	603	999	1404	171	207	270	152	531

2. FLD segment check mode

This mode is available to check all luminous segments by the following steps.

1. When the product is FACTORY mode (Refer to above mentioned "1. **FACTORY mode**"), press [**DISPLAY OFF**] button. FLD shows "**SERVICE**" for 2 seconds.
2. All segments and all LED light up for 5 seconds.
3. Each segment lights up step by step.
4. Press [**DISPLAY OFF**] button again, then this mode will be stopped and the product will be FACTORY mode.

3. Version of microprocessor (CPU)

This program is available to confirm the version of each CPU by the following steps.

QY01 (main) : When the product is POWER ON, press both [**CL**] and [**TREBLE ▼**] buttons simultaneously over 3 seconds.

FLD shows the version of program code for QY01.

Q691 (DSP) : When the product is POWER ON, press both [**CL**] and [**BASS ▼**] buttons simultaneously over 3 seconds.

FLD shows the version of program code for Q691.

4. Input and output test mode

This mode is available for the functions as shown in Fig 1 by the following steps.

1. When the product is FACTORY mode (Refer to above mentioned "1. **FACTORY mode**"), press both [**MEMO**] and [**TREBLE ▼**] buttons simultaneously.
2. FLD shows "**AUTO D1**". By pressing both [**MEMO**] and [**TREBLE ▼**] buttons simultaneously each time, the mode is changed in the following order.

Fig 1 Input and output test mode

ORDER	INDICATION for FLD	MODE FUNCTION
1	AUTO D1	Input selection mode (without using system setup menu)
2	ALL CH D1	5 or 6 channels output mode (This mode is available for 2 channels input)
3	INPULSE --	This mode is development use only
4	CD/DIG1	This mode is the same status as FACTORY mode

4.1. Input selection mode (without setting to system setup menu)

This mode is available to select the input without setting to system setup menu by the following steps.

1. When FLD shows "AUTO D1" (Refer to "4. **Input and output test mode**"), the input can be shifted by pressing [**MODE**] button for the remote commander only each time as shown in Fig 2. ([**MODE**] button is in page4 of **AMP** function for RC-18SR)

Fig 2. Input selection order by pressing [**MODE**] button each time

ORDER	INDICATION for FLD	INPUT STATUS
1	AUTO D1	DIG. 1 IN
2	AUTO D2	DIG. 2 IN
3	AUTO D3	DIG. 3 IN
4	AUTO D4	DIG. 4 IN
5	AUTO RF	RF IN
6	AUTO CD	CD IN (Analog)

Note: Surround mode is fixed "**AUTO**" mode automatically.

4.2. 5.1 channels output mode

This mode is available to output the same signal from 5 channels, even though 2 channels audio signal comes in.

As the result, all channels output can be confirmed by using analog stereo signal or PCM audio signal.

AC-3 or DTS source is not necessary to output from any channel in this mode.

1. When FLD shows "ALL CH D1" (Refer to "4. **Input and output test mode**"), the input can be shifted by pressing [**MODE**] button for the remote commander only each time as shown in Fig 3. ([**MODE**] button is in page4 of **AMP** function for RC-18SR)
2. Supply to 2 channels PCM signal for digital input or 2 channels analog signal for analog input. But, Left channel and Right channel of input signal should be equal.
3. Then each output from the product is the same as the input signal. (Subwoofer channel is respond to lower than 80Hz signal)

Fig 3. Input selection order by pressing [**MODE**] button each time

ORDER	INDICATION for FLD	INPUT STATUS
1	ALL CH D1	DIG. 1 IN
2	ALL CH D2	DIG. 2 IN
3	ALL CH D3	DIG. 3 IN
4	ALL CH D4	DIG. 4 IN
5	ALL CH RF	RF IN
6	ALL CH CD	CD IN (Analog)

5. Transistor MUTE mode

In mute situation on the product, output signal is muted by Volume control IC and muting transistor.

But, this mode is available to work the muting transistor only by the following steps.

1. When the product is FACTORY mode (Refer to "1. **FACTORY mode**"), press [**MUTE**] button for remote commander only.
2. FLD shows "**TrMUTE ON**", then muting transistor circuit is active only.

6. How to reset the product

When the product is POWER ON, press both [**CL**] and [**DISPLAY OFF**] buttons simultaneously.

FLD shows "**DEFAULT**" for 3 seconds, then all memories are cleared.

9. ELECTRICAL ADJUSTMENTS

1. DC offset adjustment

Master Volume : Minimum, Speaker out : non Load

Step	Power	Channel	Adjustment Point	Test Point	Adjustment Vaule
1	on	Front L	R715	Speaker Output Terminal	± 20mV
		Center	RT15		
		Front R	RP16		
		Surr. L	RP15		
		Surr. R	R716		

Note : If the measured value is not exceed ±20mV, no need to adjust the DC offset.

2. Idling current adjustment

Master Volume : Minimum, Speaker out : non Load

Step	Power	Channel	Adjustment Point	Test Point	Adjustment Vaule
1	Power on	Front L	R743	J713 or R773	within 1 minute 0.4mV
		Center	RT43	JT13 or RT73	
		Front R	RP44	JP04 or RP74	
		Surr. L	RP43	JP03 or RP73	
2	after 4 minutes	Surr. R	R744	J714 or R774	see table for adjustment vaule
				J***:4P Connector (between 1p-4p) R***:Emitter Resister (0.1ohms x2)	

Time since power on	Idling current adjust.	Time since power on	Idling current adjust.
4-4 minutes 30 seconds	5.6mV	11-12 minutes	8.0mV
4m30s-5 minutes	6.4mV	12-14 minutes	7.6mV
5-5 minutes 30 seconds	7.2mV	14-16 minutes	7.2mV
5m30s-6 minutes	7.7mV	16-18 minutes	6.5mV
6-7 minutes	8.2mV	18-22 minutes	5.6mV
7-8 minutes	8.6mV	22-26 minutes	4.9mV
8-9 minutes	8.8mV	26-30 minutes	4.4mV
9-10 minutes	8.6mV	more than 30 minutes	4.0mV
10-11 minutes	8.4mV		The target is 4.0mV

3. Thermostat circuit confirmation

- 1) When the product is POWER ON, remove the wire W701 from the connector J715 (P704).
- 2) FLD shows "ERROR PWR1".
- 3) Confirm the product is POWER OFF after 3 seconds.
- 4) Connect the wire W701 to the connector J715 (on P704).
- 5) Confirm the product is standby status.

4. Cooling fan confirmation

4.1 Fan failure sensor confirmation

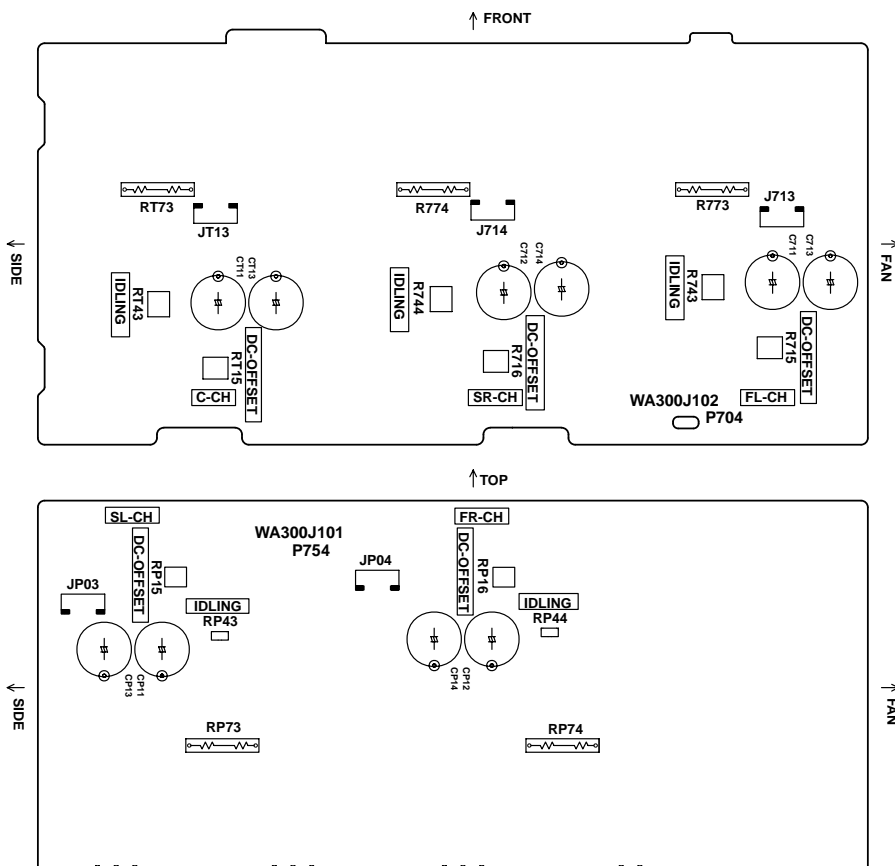
- 1) Set to be SPK output 1W from the front channel.
- 2) Connect the 1pin (LOCK) of the connector JN10 (on P754) to chassis (GND level) by a wire.
- 3) After 6 seconds the SPK relay works, and the SPK output isn't output.

4.2 Temperature sensor confirmation

- 1) Connect a resistor (470ohms 1W) between JN10 3pin (T-2CH) and DC +12Voltage.
- 2) Confirm the cooling fan starts working. (Status : JN09 between 1pin and 2pin = **+7.5Voltage**, Fan speed = **Low**)
- 3) Remove the resistor.
- 4) Confirm the cooling fan stops.
- 5) Connect the resistor between JN10 4pin (T-3CH) and DC +12Voltage.
- 6) Confirm the cooling fan starts working again.
- 7) Remove the resistor.
- 8) Confirm the cooling fan stops.
- 9) Connect the resistor between JN10 3pin (T-2CH) and DC +12Voltage. And then connect another resistor between JN10 4pin (T-3CH) and DC +12Voltage.
- 10) Confirm the cooling fan starts working.
- 11) And then connect the resistor between JN10 2pin (SPEED) and DC +12Voltage.
- 12) Confirm the cooling fan changes to work with high speed. (Status : JN09 between 1pin and 2pin = **+11.5Voltage**, Fan speed = **High**)

4.3 Fan catching a foreign body sensor confirmation

- 1) Connect the resistor (470ohms 1W) between JN10 3pin (T-3CH) and DC +12Voltage.
- 2) Confirm the cooling fan starts working. (Status : JN09 between 1pin and 2pin=**+7.5Voltage**, Fan speed = **Low**)
- 3) Set to be SPK output 1W from the front channel.
- 4) Hold the cooling fan by hand and stop it.
Notes: Take care of wound in the hand!
- 5) After 6 seconds the SPK relay works and the SPK output isn't output.



10. ALIGNMENT PROCEDURES

1. AM IF Adjustment

Step	Input Signal Source Connection	Signal Frequency	Source Signal Output Level and Modulation	Reception Frequency	Adjustment Point	Adjustment Value
1	Signal generator output to transmission *loop antenna. (*:Standard required loop)	999 kHz (K, KS, N, F) 1000 kHz (U)	Level 300 μ V/m (50dB/m) Mod. 400 Hz 30%	Tuning point	LA06	Output level (L or R) Maximum at TAPE-OUT

REMARK: For receiving antenna, the adapted one is available.

This adjustment is not necessary normally, because the coil LA06 is preset by the original supplier.

It is necessary when the incorrect usable sense and frequency response.

2. AM Tracking Adjustment (MW) [For N only]

Step	**Input Signal Source Connection	Signal Frequency	Source Signal Output Level and Modulation	Reception Frequency	Adjustment Point	Adjustment Value
1	Signal generator output to transmission *loop antenna. (*:Standard required loop)	603 kHz (K, KS, N, F) 600 kHz (U)	Level 300 - 400 μ V/m Mod. 400 Hz 30%	603 kHz (K, KS, N, F) 600 kHz (U)	LA01	Output level (L or R) Maximum at TAPE-OUT
2		1404 kHz (K, KS, N, F) 1400 kHz (U)	Level 300 - 400 μ V/m Mod. 400 Hz 30%	1404 kHz (K, KS, N, F) 1400 kHz (U)	CA01	Output level (L or R) Maximum at TAPE-OUT
3	Repeat step 1 and 2 until sensitivity be maximized.					

3. AM Tracking Adjustment (LW)

Step	**Input Signal Source Connection	Signal Frequency	Source Signal Output Level and Modulation	Reception Frequency	Adjustment Point	Adjustment Value
1	Signal generator output to transmission *loop antenna. (*:Standard required loop)	171 kHz	Level 300 - 400 μ V/m Mod. 400 Hz 30%	171 kHz	LA03	Output level (L or R) Maximum at TAPE-OUT
2		270 kHz	Level 300 - 400 μ V/m Mod. 400 Hz 30%	270 kHz	CA08	Output level (L or R) Maximum at TAPE-OUT
3	Repeat step 1 and 2 until sensitivity be maximized.					

4. AM auto stop Adjustment

Step	Input Signal Source Connection	Signal Frequency	Source Signal Output Level and Modulation	Reception Frequency	Adjustment Point	Adjustment Value
1	Signal generator output to transmission *loop antenna. (*:Standard required loop)	999 kHz (K, KS, N, F) 1000 kHz (U)	500 μ V/m (54 dB/m)	999 kHz (K, KS, N, F) 1000 kHz (U)	RA11	"TUNED" indicate on FLD
2			1000 μ V/m (60 dB/m)	AUTO SCAN	Only Confirm	"TUNED" indicate on FLD

5. FM MONO. Distortion Adjustment

Step	Input Signal Source Connection	Signal Frequency	Source Signal Output Level and Modulation	Reception Frequency	Adjustment Point	Adjustment Value
1	Signal generator output to FM antenna terminal. (75 Ω)	98 MHz (K, KS, N, U) 83 MHz (F)	500 μ V (54 dB) MONO 1 kHz / Dev.40kHz 53.3% (K, KS, N) MONO 1 kHz / Dev. 75 kHz 100% (U, F)	98 MHz (P2)	L201	Distortion level Minimum at TAPE-OUT

6. FM Muting Level Adjustment

Turn the variable resistor **R212** to no indication ("TUNED") point. And return that valuable resistor in opposite to the "TUNED" indicate point.

Step	Input Signal Source Connection	Signal Frequency	Source Signal Output Level and Modulation	Reception Frequency	Adjustment Point	Adjustment Value
1	Signal generator output to FM antenna terminal. (75 Ω)	98 MHz (K, KS, N, U) 83 MHz (F)	10 μV (20 dB) MONO 1 kHz / Dev.40 kHz 53.3% (K, KS, N)	98 MHz (P2) 83 MHz (P2)	R212	"TUNED" indicate on FLD
2			MONO 1 kHz / Dev. 75 kHz 100% (U,F)			

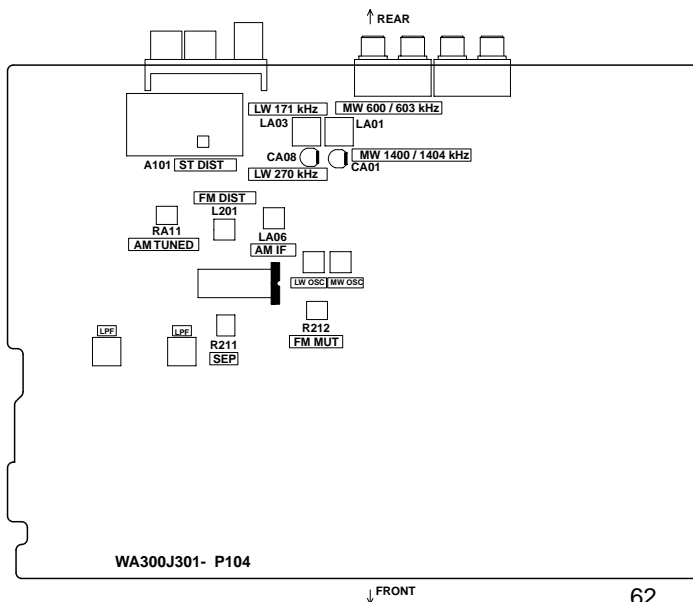
7. FM STEREO Distortion Adjustment

Adjust the **L channel** with the RF signal modulated only **L channel** first and confirm the **R channel** with the RF signal modulated only **R channel**.

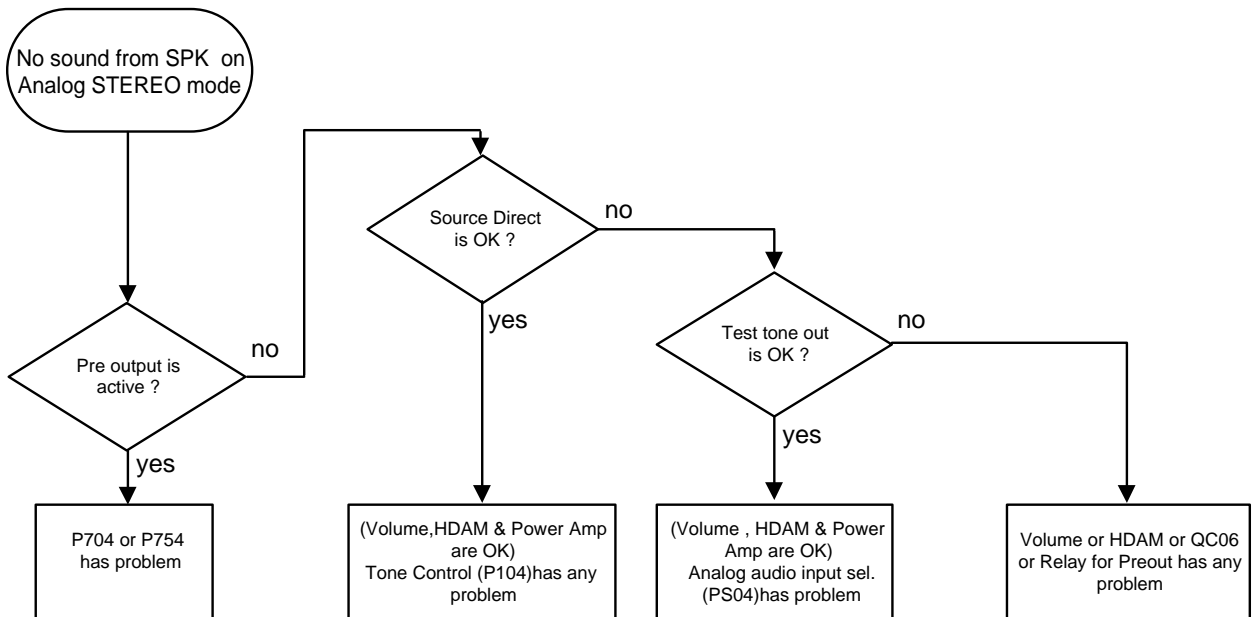
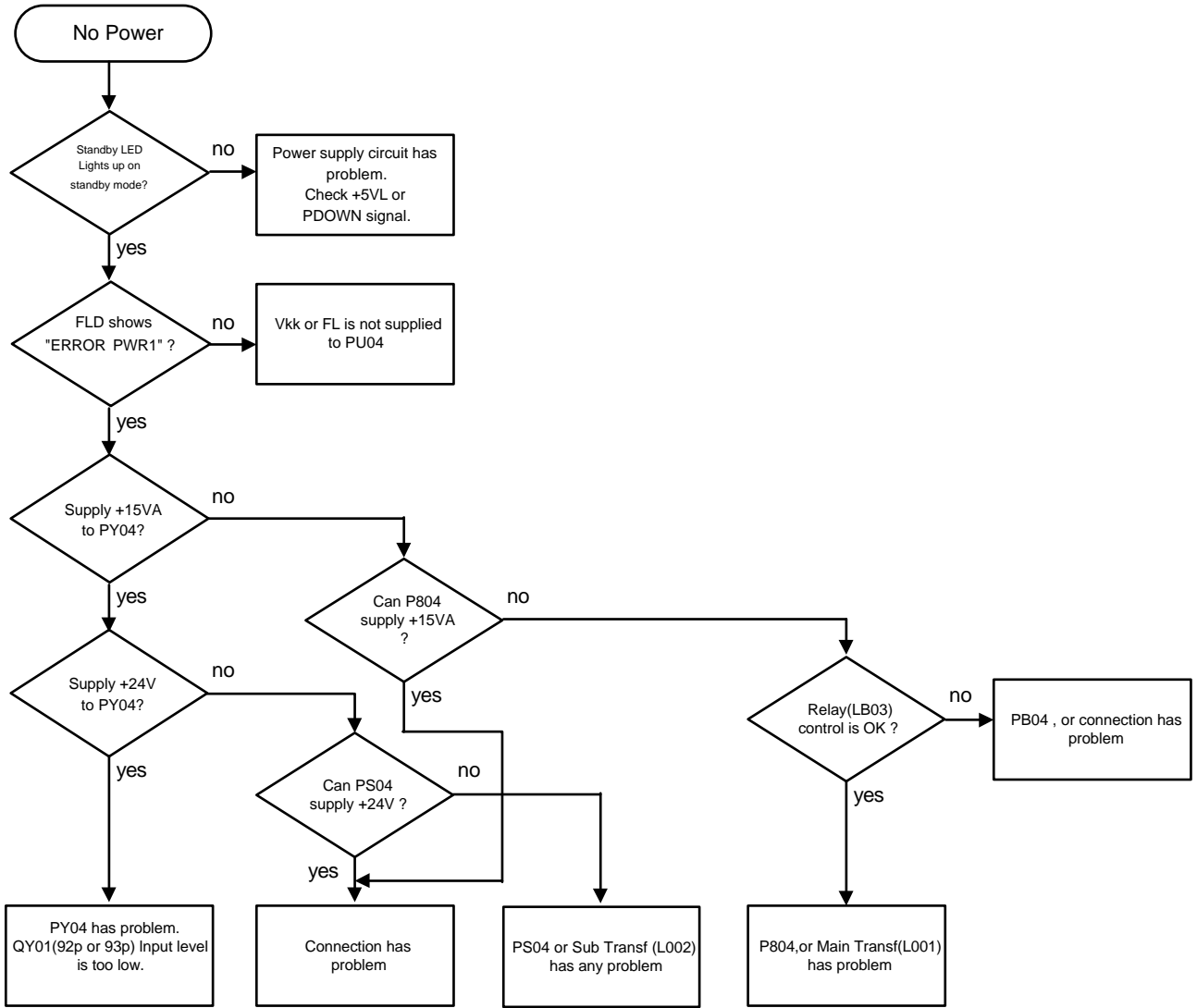
Step	Input Signal Source Connection	Signal Frequency	Source Signal Output Level and Modulation	Reception Frequency	Adjustment Point	Adjustment Value
1	Signal generator output to FM antenna terminal. (75 Ω)	98 MHz (K, KS, N, U) 83 MHz (F)	500 μV (54 dB) L or R 1 kHz / Dev. 40 kHz 53.3% PILOT 19 kHz / Dev. 6 kHz 8% (K, KS, N)	98 MHz (P2) 83 MHz (P2)	IF COIL in FRONT END	Distortion level Minimum at TAPE-OUT
2			L or R 1 kHz / Dev. 67.5 kHz 90% PILOT 19 kHz / Dev. 6.75 kHz 9% (U, F)			

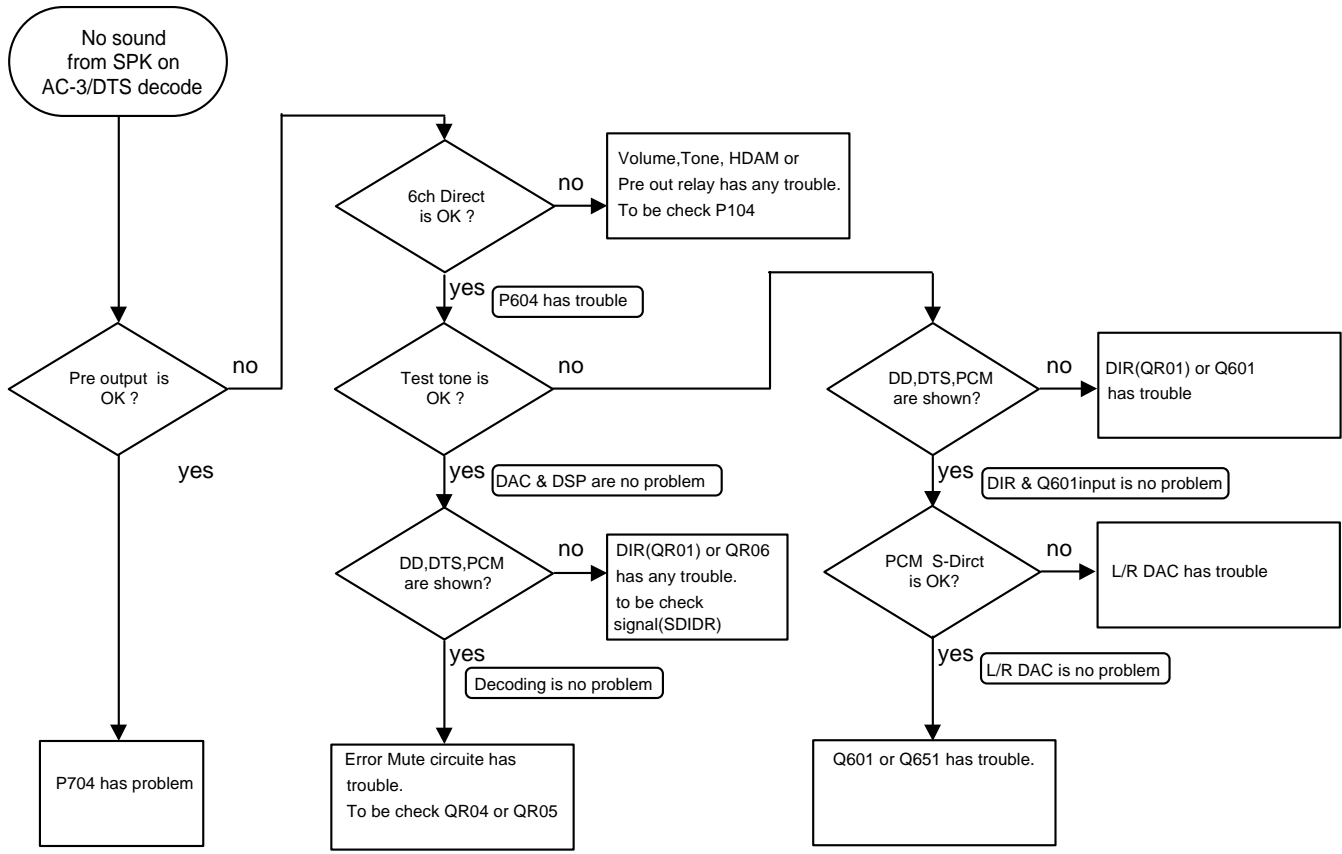
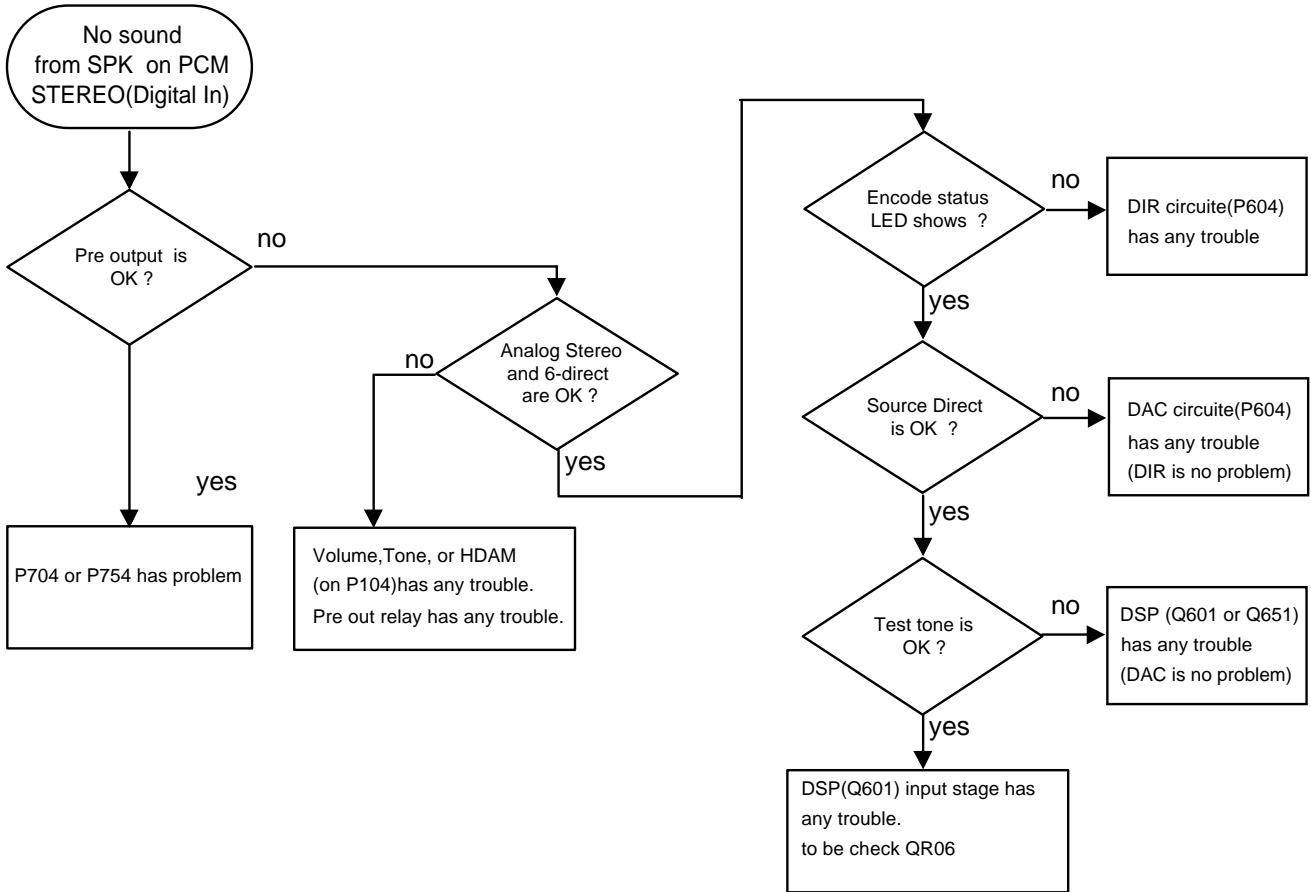
8. FM STEREO Separation Adjustment

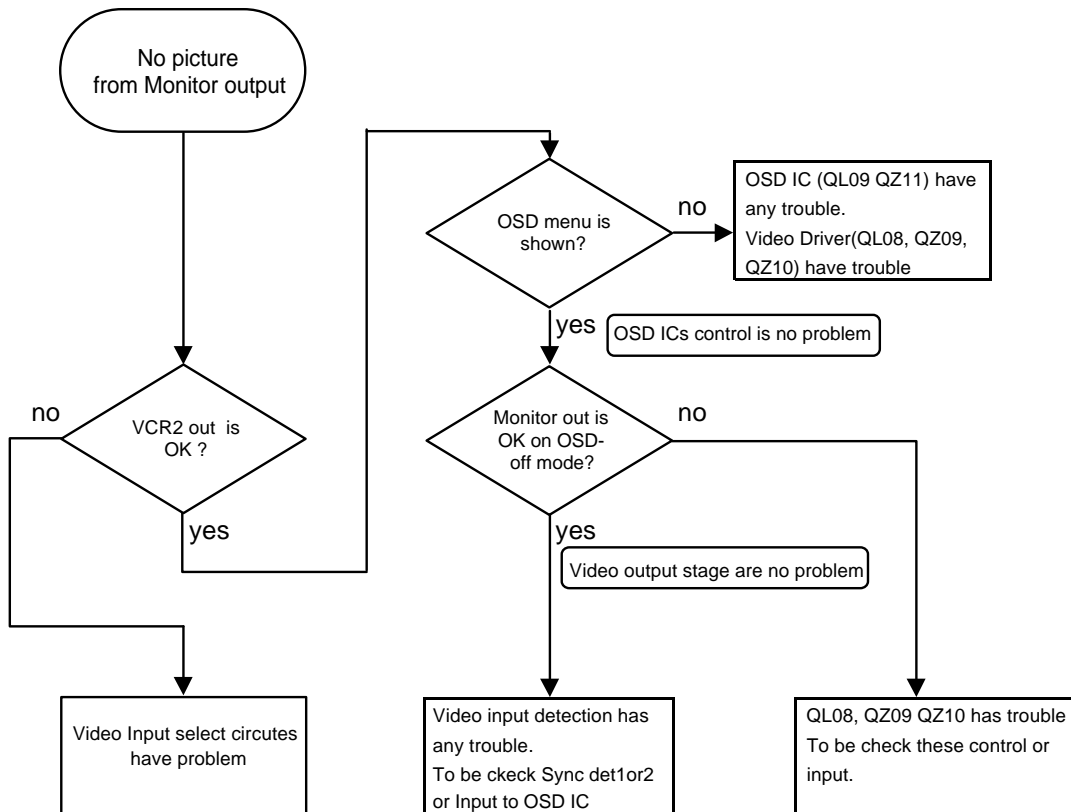
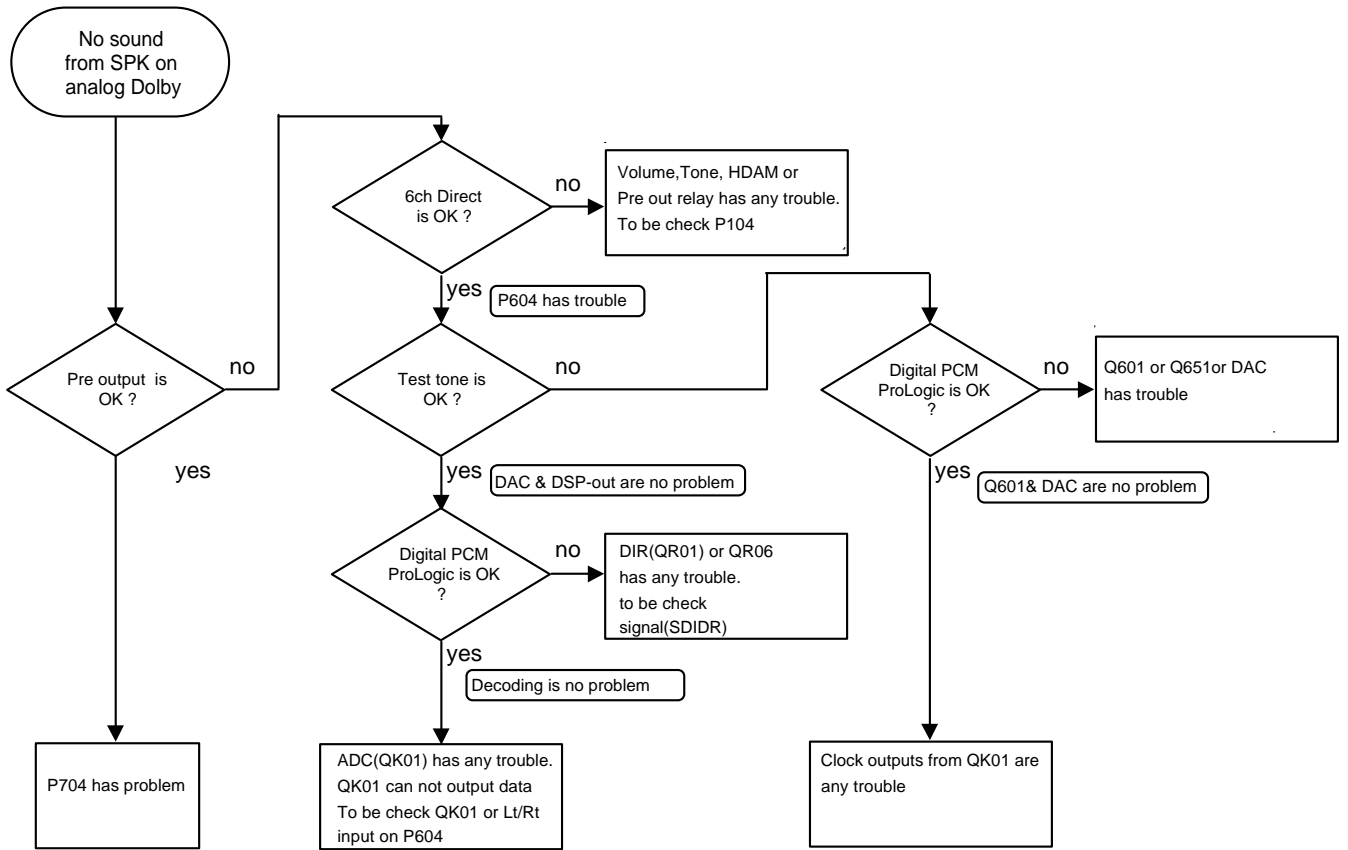
Step	Input Signal Source Connection	Signal Frequency	Source Signal Output Level and Modulation	Reception Frequency	Adjustment Point	Adjustment Value
1	Signal generator output to FM antenna terminal. (75 Ω)	98 MHz (K, KS, N, U) 83 MHz (F)	same specification as FM STEREO distortion adjustment. Input only L channel.	98 MHz (P2) 83 MHz (P2)	R211	Output level Minimum at TAPE-OUT channel R
2			same specification as FM STEREO distortion adjustment. Input only R channel.			



11. TROUBLE SHOOTING







12. TECHNICAL DESCRIPTION

This product has two DSP ICs, one is for Dolby Digital (AC-3) decoding or DTS (Digital Theater System) decoding, another is for THX processing.

Multi channel sound is reproduced by connecting with DVD player or LD player.

Also Dolby Pro Logic decode is available to analog audio and PCM digital audio.

Additionally, 96kHz PCM stereo audio playback is possible.

Decoding circuit is consist of 13 ICs (DIR, two DSP, ADC, five DAC, AC-3 RF demodulator, two data separator and CPU).

DOLBY DIGITAL (AC-3)

Dolby Digital delivers six totally separate (discrete) channels of sound. Like Dolby Surround Pro Logic, it includes Left, Center and Right channels across the front of the room. Dolby Surround Pro Logic provides a single limited-bandwidth (100 Hz to 7,000 Hz) surround channel which is typically played back in the home through two channels of amplification and two speakers. In comparison, Dolby Digital provides separate (discrete) left surround and right surround channels, for more precise localization of sounds and a more convincing, realistic ambience. And, with Dolby Digital, all five main channels are full range (3 Hz to 20,000 Hz). A subwoofer could be added to each channel, if desired.

The sixth channel, the Low Frequency Effects Channel, will, at times, contain additional bass information to maximize the impact of scenes such as explosions, crashes, etc. Because this channel has only a limited frequency response (3 Hz to 120 Hz), it is sometimes referred to as the “.1” channel. When added to the 5 full range channels, the Dolby Digital system is sometimes referred to as having “5.1” channels.

DTS

An amazing new technology for surround-sound entertainment, DTS Digital Surround is an encode/decode system that delivers six channels (5.1) of master-quality, 20-bit audio. In the encoding process, the DTS algorithm encrypts six channels of 20-bit digital audio information in the space previously allotted for only two channels of 16-bit linear PCM. Then during playback, the DTS decoder reconstructs the original six channels of 20-bit digital audio. Each of these six channels is audibly superior to the 16-bit linear PCM audio found on conventional compact discs.

THX ULTRA

Home THX Controller Technologies : Dubbing stages (where soundtracks are created) and movie theatres do not change their acoustics, equipment, or system equalization when mixing or playing back 5.1 channel sound tracks. They merely divide the surround array of speakers into two symmetrical arrays (hence the term “split surround”). All of the remaining system equalization and setup remains the same. The Home THX Technologies of Re-Equalization, Timbre Matching, and Decorrelation, as well as the Home THX Crossover are still necessary for 5.1 channel formats. Because of the nature of the split surround soundtrack, Home THX Timbre Matching and Decorrelation technologies have been altered to provide correct surround sound balance and spaciousness. Here is a representation of how Home THX Controller Technologies work with the various surround sound formats.

DIR (Digital audio Interface Receiver : QR01 / CS8414)

This circuit extract synchronized clock signals and data from SPDIF signal input.

QR01(CS8414) generates these signals, this chip supports 96kHz sample rate.

1st DSP (Digital Signal Processor for Dolby Digital, Pro Logic, DTS : Q601 / YSS912)

Q601(YSS912) decodes 6 channels audio from encoded data signal input.

Some effects are processed in addition to multi channel decoding on HALL, MATRIX, and MOVIE mode.

2nd DSP (Digital Signal Processor for THX processing : Q651 / ZR38600)

Q651(ZR38600) has the THX 5.1 processing functions. These functions include **Re-equalization, Surround Timbre-Matching, Adaptive Decorrelation, Bass Management, Bass Peak Level Manager, and Loudspeaker Position Time Synchronization.**

Re-equalization takes the edginess or “brightness” out of your home cinema sound, compensating for the fact that sound mixed for theatres will sound too bright when played back through flat response speakers in your home.

Timbre Matching matches the tone of your front speakers to your surrounds to compensate for the fact that only two surround speakers are used in a typical Home Theatre system instead of a full array as in a movie theatre.

Adaptive Decorrelation gives a stereo “feel” when your surrounds are playing mono and automatically switches off when they are playing stereo.

Bass Management Electronic Crossover allows you to use more compact, easier-to-place speakers, while sending bass to a subwoofer system, improving frequency response, lowering distortion and increasing dynamic range.

Bass Peak Level Manager protects your subwoofer from overloading due to the great amount of bass a 5.1 soundtrack delivers.

Loudspeaker Position Time Synchronization lets you easily set up your system for an optimum listening position, which is difficult to achieve within the space constraints of most homes.

ADC (Analog to Digital Converter : QK01 / CS5394)

CS5394 is a complete analog-to-digital converter for stereo digital audio systems. It performs sampling, analog-to-digital conversion and anti-alias filtering, generating 24 bit values for both left and right inputs in serial form.

DAC (Digital to Analog Converter : QD01, QD02, QD03 : QD41, QD42 / AD1855)

The AD1855 is a high performance, single-chip stereo, audio DAC. There are five AD1855 chips on the board. Four chips are used for L, R, C, and Sub woofer channel individually. Another chip is used for Surround Left & Right.

CPU (Q691 / μ PD78018)

This chip controls some ICs in P604 and communicates with QU01. Connect to QU01 with serial interface lines.

8. ELECTRICAL PARTS LIST

ASSIGNMENT OF COMMON PARTS CODES.

RESISTORS

R***: 1) GD05 × × × 140, Carbon film fixed resistor, ±5% 1/4W

R***: 2) GD05 × × × 160, Carbon film fixed resistor, ±5% 1/6W

① — Resistance value

Examples ;

① Resistance value

0.1 Ω 001 10 Ω 100 1 kΩ 102 100 kΩ 104
 0.5 Ω 005 18 Ω 180 2.7 kΩ 272 680 kΩ 684
 1 Ω 010 100 Ω 101 10 kΩ 103 1 MΩ 105
 6.8 Ω 068 390 Ω 391 22 kΩ 223 4.7 MΩ 475

Note : Please distinguish 1/4W from 1/6W by the shape of parts used actually.

CAPACITORS

C***: CERAMIC CAP.

3) DD1 × × × × 370, Ceramic capacitor
 Disc type
 Temp.coeff.P350 ~N1000, 50V
 ② — Capacity value
 ③ — Tolerance

Examples ;

② Tolerance (Capacity deviation)

±0.25 pF 0
 ±0.5 pF 1
 ±5% 5

* Tolerance of COMMON PARTS handled here are as follows :

0.5 pF ~ 5 pF ±0.25 pF
 6 pF ~ 10 pF ±0.5 pF
 12 pF ~ 560 pF ±5%

③ Capacity value

0.5 pF 005 3 pF 030 100 pF 101
 1 pF 010 10 pF 100 220 pF 221
 1.5 pF 015 47 pF 470 560 pF 561

C*** : CERAMIC CAP.

4) DK16 × × × × 300, High dielectric constant ceramic capacitor
 Disc type
 Temp.chara. 2B4, 50V
 ④ — Capacity value

Examples ;

④ Capacity value

100 pF 101 1000 pF 102 10000 pF 103
 470 pF 471 2200 pF 222

C*** : 5) ELECTROLY CAP. (⏏), 6) FILM CAP. (⏏)

5) EA × × × × × 10, Electrolytic capacitor
 One-way lead type, Tolerance ±20%
 ⑤ — Working voltage
 ⑥ — Capacity value

Examples ;

⑤ Capacity value

0.1 μF 104 4.7 μF 475 100 μF 107
 0.33 μF 334 10 μF 106 330 μF 337
 1 μF 105 22 μF 226 1100 μF 118
 2200 μF 228

⑥ Working voltage

6.3V 006 25V 025
 10V 010 35V 035
 16V 016 50V 050

6) DF15 × × × × 350 — Plastic film capacitor
 DF15 × × × × 310 — One-way type, Mylar ±5% 50V
 DF16 × × × × 310 — Plastic film capacitor
 One-way type, Mylar ±10% 50V
 ⑦ — Capacity value

Examples ;

⑦ Capacity value

0.001 μF (1000 pF) 102 0.1 μF 104
 0.0018 μF 182 0.56 μF 564
 0.01 μF 103 1 μF 105
 0.015 μF 153

NOTE : 1) The above CODES (R***, R***, C***, C*** and C***) are omitted on the schematic diagram in some case.

2) On the occasion, be confirmed the common parts on the parts list.

3) Refer to "Common Parts List" for the other common parts (R105, DD4, DK4).

NOTE ON SAFETY FOR FUSIBLE RESISTOR :

The suppliers and their type numbers of fusible resistors are as follows;

1. KOA Corporation

Part No. (MJI)	Type No. (KOA)	Description
NH05 × × × 140	RF25S × × × × ΩJ	(±5% 1/4W)
NH05 × × × 120	RF50S × × × × ΩJ	(±5% 1/2W)
NH85 × × × 110	RF73B2A × × × × ΩJ	(±5% 1/10W)
NH95 × × × 140	RF73B2E × × × × ΩJ	(±5% 1/4W)

* Resistance value * Resistance value (0.1 Ω – 10 kΩ)

2. Matsushita Electronic Components Co., Ltd

Part No. (MJI)	Type No. (MEC)	Description
NF05 × × × 140	ERD-2FCJ × × ×	(±5% 1/4W)
RF05 × × × 140		
NF02 × × × 140	ERD-2FCG × × ×	(±2% 1/4W)
RF02 × × × 140		

* Resistance value * Resistance value

Examples ;

* Resistance value

0.1 Ω 001 10 Ω 100 1 kΩ 102 100 kΩ 104
 0.5 Ω 005 18 Ω 180 2.7 kΩ 272 680 kΩ 684
 1 Ω 010 100 Ω 101 10 kΩ 103 1 MΩ 105
 6.8 Ω 068 390 Ω 391 22 kΩ 223 4.7 MΩ 475

ABBREVIATION AND MARKS

ANT. : ANTENNA	BATT. : BATTERY
CAP. : CAPACITOR	CER. : CERAMIC
CONN. : CONNECTING	DIG. : DIGITAL
HP : HEADPHONE	MIC. : MICROPHONE
μ-PRO : MICROPROCESSOR	REC. : RECORDING
RES. : RESISTOR	SPK : SPEAKER
SW : SWITCH	TRANSF. : TRANSFORMER
TRIM. : TRIMMING	TRS. : TRANSISTOR
VAR. : VARIABLE	X'TAL : CRYSTAL

NOTE ON SAFETY :

Symbol \blacktriangle Fire or electrical shock hazard. Only original parts should be used to replaced any part marked with symbol \blacktriangle . Any other component substitution (other than original type), may increase risk of fire or electrical shock hazard.

(VERS.:VERSION, U:U.S.A., F:JAPAN, K:FAR EAST, **:EUROPE)

POS. NO	VERS. COLOR	PART NO. (FOR PCS)	DESCRIPTION	PART NO. (MJI)	POS. NO	VERS. COLOR	PART NO. (FOR PCS)	DESCRIPTION	PART NO. (MJI)
			P104- FM/AM TUNER/TONE/ VOL. CIRCUIT BOARD		CF40		4822 122 30043	CER. 0.01 μ F +80%-20% 50V	DK18103310
			P104-CAPACITORS		CG51		4822 124 22571	ELECT. 10 μ F 50V	OA10605020
CA01		4822 125 50384	TRIM. 20pF VCT51E	CT12000200	CG56				
CA02		4822 122 40306	CER. 0.047 μ F +80%-20% 50V	DK18473310	CG57		4822 122 40617	CER. 0.1 μ F +80 -20%	DD38104010
CA03		4822 122 31823	CER. 15pF \pm 5% CH 50V BLK	DD15150300	CG59		4822 124 90354	ELECT. 100 μ F 16V	OA10701620
CA04		4822 121 42466	FILM 390pF \pm 5%100V	DF15391550	CG60		4822 124 90354	ELECT. 100 μ F 16V	OA10701620
CA05		4822 122 31205	CER. 47pF \pm 5% CH 50V BLK	DD15470300	CG61		4822 122 40617	CER. 0.1 μ F +80 -20%	DD38104010
CA06		4822 122 30043	CER. 0.01 μ F +80%-20% 50V	DK18103310	CG62		4822 122 40617	CER. 0.1 μ F +80 -20%	DD38104010
CA18		4822 124 22274	ELECT. 4.7 μ F M 50V RA-2	OA47505020	CG63				
CC07		4822 124 22571	ELECT. 10 μ F 50V	OA10605020	CG63		4822 124 22571	ELECT. 10 μ F M 50V RA-2	OA10605020
CC08		4822 124 22571	ELECT. 10 μ F 50V	OA10605020	CG66				
CC18		4822 124 22571	ELECT. 10 μ F M 50V RA-2	OA10605020	CG67		4822 122 40617	CER. 0.1 μ F +80 -20%	DD38104010
CC23					CG68		4822 122 40617	CER. 0.1 μ F +80 -20%	DD38104010
}		4822 124 22571	ELECT. 10 μ F M 50V RA-2	OA10605020	CG69		4822 124 90354	ELECT. 100 μ F M 16V	OA10701620
CC26					CG70		4822 124 90354	ELECT. 100 μ F M 16V	OA10701620
CC31		4822 124 90354	ELECT. 100 μ F M 16V RA-2	OA10701620	CV01		4822 122 40617	CER. 0.1 μ F +80 -20%	DD38104010
CC32		4822 124 90354	ELECT. 100 μ F M 16V RA-2	OA10701620	CV02		4822 122 40617	CER. 0.1 μ F +80 -20%	DD38104010
CC33		4822 122 40617	CER. 0.1 μ F +80%-20% 50V	DD38104010	C201		4822 122 30043	CER. 0.01 μ F +80%-20% 50V	DK18103310
CC34		4822 122 40617	CER. 0.1 μ F +80%-20% 50V	DD38104010	C202		4822 122 30043	CER. 0.01 μ F +80%-20% 50V	DK18103310
CC35		4822 122 30043	CER. 0.01 μ F +80%-20% 50V	DK18103310	C203		4822 122 40306	CER. 0.047 μ F +80%-20% 50V	DK18473310
CC36		4822 122 30043	CER. 0.01 μ F +80%-20% 50V	DK18103310	C204		4822 122 40306	CER. 0.047 μ F +80%-20% 50V	DK18473310
CC39		4822 122 30043	CER. 0.01 μ F +80%-20% 50V	DK18103310	C205		4822 124 42182	ELECT. 3.3 μ F M 50V	OA33505020
CC40		4822 122 30043	CER. 0.01 μ F +80%-20% 50V	DK18103310	C206		4822 124 22571	ELECT. 10 μ F M 50V RA-2	OA10605020
CC41		4822 122 30043	CER. 0.01 μ F +80%-20% 50V	DK18103310	C207		4822 124 90353	ELECT. 100 μ F M 10V RA-2	OA10701020
CC42		4822 122 30043	CER. 0.01 μ F +80%-20% 50V	DK18103310	C208		4822 122 40306	CER. 0.047 μ F +80%-20% 50V	DK18473310
CC43		4822 122 40617	CER. 0.1 μ F +80%-20% 50V	DD38104010	C209		4822 124 22571	ELECT. 10 μ F M 50V RA-2	OA10605020
CC44		4822 122 40617	CER. 0.1 μ F +80%-20% 50V	DD38104010	C210		4822 122 30043	CER. 0.01 μ F +80%-20% 50V	DK18103310
CC47		4822 122 30043	CER. 0.01 μ F +80%-20% 50V	DK18103310	C211		4822 124 90357	ELECT. 2.2 μ F M 50V RA-2	OA22505020
CC48		4822 122 30043	CER. 0.01 μ F +80%-20% 50V	DK18103310	C212		4822 124 41543	ELECT. 1 μ F M 50V RA-2	OA10505020
CC51		4822 124 22571	ELECT. 10 μ F M 50V RA-2	OA10605020	C213		4822 124 22273	ELECT. 0.47 μ F M 50V RA-2	OA47405020
CC52		4822 124 22571	ELECT. 10 μ F M 50V RA-2	OA10605020	C214		4822 124 41539	ELECT. 47 μ F M 16V RA-2	OA47601620
CC55		4822 122 31237	CER. 82pF \pm 5% 50V	DD15820300	C215		4822 122 40306	CER. 0.047 μ F +80%-20% 50V	DK18473310
CC56		4822 122 31237	CER. 82pF \pm 5% 50V	DD15820300	C216		4822 124 90354	ELECT. 100 μ F M 16V RA-2	OA10701620
CC57		4822 124 22571	ELECT. 10 μ F M 50V RA-2	OA10605020	C218		4822 122 30043	CER. 0.01 μ F +80%-20% 50V	DK18103310
CC58		4822 124 22571	ELECT. 10 μ F M 50V RA-2	OA10605020	C219		4822 124 22571	ELECT. 10 μ F M 50V RA-2	OA10605020
CC59		4822 124 90354	ELECT. 100 μ F 16V	OA10701620	C223		4822 122 40586	CER. 10000pF \pm 20%	DA17103110
CC60		4822 124 90354	ELECT. 100 μ F 16V	OA10701620	C225		4822 122 30043	CER. 0.01 μ F +80%-20% 50V	DK18103310
CC61		4822 122 30043	CER. 0.01 μ F +80%-20% 50V	DK18103310	C226		4822 122 40586	CER. 10000pF \pm 20%	DA17103110
CC62		4822 122 30043	CER. 0.01 μ F +80%-20% 50V	DK18103310	C233		4822 122 30043	CER. 0.01 μ F +80%-20% 50V	DK18103310
CC71		4822 124 22571	ELECT. 10 μ F M 50V RA-2	OA10605020	C234		4822 124 22274	ELECT. 4.7 μ F M 50V RA-2	OA47505020
CC72		4822 124 22571	ELECT. 10 μ F M 50V RA-2	OA10605020	C235		4822 122 30043	CER. 0.01 μ F +80%-20% 50V	DK18103310
CC77		4822 124 90358	ELECT. 22 μ F M 16V	OA22601620	C236		4822 122 30043	CER. 0.01 μ F +80%-20% 50V	DK18103310
CC78		4822 124 90358	ELECT. 22 μ F M 16V	OA22601620	C237		4822 122 30043	CER. 0.01 μ F +80%-20% 50V	DK18103310
CC79		4822 124 90354	ELECT. 100 μ F M 16V RA-2	OA10701620	C303		4822 124 22571	ELECT. 10 μ F M 50V RA-2	OA10605020
CC80		4822 122 30043	CER. 10pF D CH 50	DK18103310	C304		4822 124 22571	ELECT. 10 μ F M 50V RA-2	OA10605020
CC81		4822 124 90354	ELECT. 100 μ F M 16V RA-2	OA10701620	C305	K KS	4822 124 22274	ELECT. 4.7 μ F M 50V RA-2	OA47505020
CC82		4822 122 30043	CER. 0.01 μ F +80%-20% 50V	DK18103310	C305	U		JUMPER	75060501P0
CF01		4822 124 22571	ELECT. 10 μ F 50V	OA10605020	C306	K KS	4822 124 22274	ELECT. 4.7 μ F M 50V RA-2	OA47505020
CF02		4822 124 22571	ELECT. 10 μ F 50V	OA10605020	C306	U		JUMPER	75060501P0
CF03		4822 122 31237	CER. 82pF \pm 5% 50V	DD15820300	C311		4822 124 22274	ELECT. 4.7 μ F M 50V RA-2	OA47505020
CF04		4822 122 31237	CER. 82pF \pm 5% 50V	DD15820300	C312		4822 124 22274	ELECT. 4.7 μ F M 50V RA-2	OA47505020
CF05		4822 124 22571	ELECT. 10 μ F 50V	OA10605020	C313	K KS	4822 124 41539	ELECT. 47 μ F M 16V RA-2	OA47601620
CF06		4822 124 22571	ELECT. 10 μ F 50V	OA10605020	C314	K KS	4822 124 41539	ELECT. 47 μ F M 16V RA-2	OA47601620
CF15					C315	K KS	4822 122 30043	CER. 0.01 μ F +80%-20% 50V	DK18103310
}		4822 124 22571	ELECT. 10 μ F 50V	OA10605020	C316	K KS	4822 122 30043	CER. 0.01 μ F +80%-20% 50V	DK18103310
CF18					C351	KS	4822 122 40586	CER. 10000pF \pm 20%	DA17103110
CF19		4822 126 10364	CER. 100pF \pm 10%	DA16101110	C352	KS	4822 124 22571	ELECT. 10 μ F M 50V RA-2	OA10605020
CF20		4822 126 10364	CER. 100pF \pm 10%	DA16101110	C353	KS	4822 126 11071	CER. 330pF \pm 10%	DA16331110
CF21		4822 124 22571	ELECT. 10 μ F 50V	OA10605020	C354	KS	4822 126 10409	CER. 560pF \pm 10%	DA16561110
CF22		4822 124 22571	ELECT. 10 μ F 50V	OA10605020	C356	KS	4822 122 31823	CER. 15pF \pm 5% CH 50V BLK	DD15150300
CF31		4822 124 22571	ELECT. 10 μ F 50V	OA10605020	C357	KS	4822 122 31823	CER. 15pF \pm 5% CH 50V BLK	DD15150300
CF32		4822 124 22571	ELECT. 10 μ F 50V	OA10605020	C358	KS	4822 124 22571	ELECT. 10 μ F M 50V RA-2	OA10605020
CF33		4822 124 90354	ELECT. 100 μ F 16V	OA10701620	C361	KS	4822 126 10364	CER. 100pF \pm 10%	DA16101110
CF34		4822 124 90354	ELECT. 100 μ F 16V	OA10701620	C362	KS	4822 126 10364	CER. 100pF \pm 10%	DA16101110
CF35		4822 122 30043	CER. 0.01 μ F +80%-20% 50V	DK18103310	C363	KS	4822 126 10364	CER. 100pF \pm 10%	DA16101110
CF36		4822 122 30043	CER. 0.01 μ F +80%-20% 50V	DK18103310	C364	KS	4822 126 10364	CER. 100pF \pm 10%	DA16101110
CF37		4822 124 90354	ELECT. 100 μ F 16V	OA10701620	C365	KS	4822 124 22276	ELECT. 47 μ F M 50V RA-2	OA47605020
CF38		4822 124 90354	ELECT. 100 μ F 16V	OA10701620	C366	KS	4822 124 41543	ELECT. 1 μ F M 50V RA-2	OA10505020
CF39		4822 122 30043	CER. 0.01 μ F +80%-20% 50V	DK18103310					

POS. NO	VERS. COLOR	PART NO. (FOR PCS)	DESCRIPTION	PART NO. (MJI)	POS. NO	VERS. COLOR	PART NO. (FOR PCS)	DESCRIPTION	PART NO. (MJI)	
C373	KS	4822 122 40617	CER. 0.1μF +80 -20%	DD38104010				P104-SEMICONDUCTORS		
C374	KS	4822 122 40586	CER. 10000pF ±20%	DA17103110	DA01		4822 125 50416		VARICAP SVC342-L TYPE	HD40009030
C501		4822 122 31205	CER. 47pF ±5% CH 50V BLK	DD15470300	DA02				JUMPER	75060501P0
C502		4822 122 31205	CER. 47pF ±5% CH 50V BLK	DD15470300	DA05		4822 130 32362		DIODE 1SS176 MA165 1SS254	HD20002000
C503		4822 124 90353	ELECT. 100μF M 10V RA-2	OA10701020					30V 0.1A	
C504		4822 122 30043	CER. 0.01μF +80%-20% 50V	DK18103310	DA06		4822 130 32362		DIODE 1SS176 MA165 1SS254	HD20002000
C505		4822 124 90357	ELECT. 2.2μF M 50V	OA22505020					30V 0.1A	
C507		4822 122 30043	CER. 0.01μF +80%-20% 50V	DK18103310	DF01		4822 130 32362		DIODE 1SS176 MA165 1SS254	HD20002000
C508		4822 124 90354	ELECT. 100μF M 16V RA-2	OA10701620	DF02		4822 130 32362		DIODE 1SS176 MA165 1SS254	HD20002000
C511		4822 122 30043	CER. 0.01μF +80%-20% 50V	DK18103310	DF02				30V 0.1A	
C***			P104-CAPACITORS (COMMON) HIGH DIELECTRIC CONSTANT CER. CAPACITOR ±10% 50V : C220 C222 C227[U] C317 C318 C367 C368 C371[K KS] C372[K KS] C510 CC09-CC12[KS] CC83 CV03 CV05-CV07		DF03				DIODE 1SS201	HE10201050
					DF04				DIODE 1SS201	HE10201050
					DV05		4822 130 32362		DIODE 1SS176 MA165 1SS254	HD20002000
					∫				30V 0.1A	
					DV12		4822 130 32362		DIODE 1SS176 MA165 1SS254	HD20002000
					DV13				30V 0.1A	
					D201		4822 130 32362		DIODE 1SS176 MA165 1SS254	HD20002000
					D202		4822 130 80319	ZENER DIODE 9.1V	HD30911000	
					D351	KS	4822 130 80317	RD9.1JB2 MTZJ9.1C	HD30511000	
					D501		4822 130 80317	ZENER DIODE 5.1V	HD30511000	
								RD5.1JB2 MTZJ5.1B	HD30511000	
								RD5.1JB2 MTZJ5.1B	HD30511000	
RA11		4822 100 11351	TRIM. 10kΩ RH0638CJ4R	RA01030780	QC01					
RC51			JUMPER	75060501P0	∫		4822 209 73064	IC NJM2068DD	HC10053090	
RC52			JUMPER	75060501P0	QC05					
RF37			JUMPER	75060501P0	QC06		4822 209 32554	IC LC78213	HC10310030	
RF38			JUMPER	75060501P0	QC07		4822 209 62784	IC TC9215P	HC10262050	
RF39			JUMPER	75060501P0	QC51		4822 209 73064	IC NJM2068DD	HC10053090	
RF40			JUMPER	75060501P0	QC71		4822 209 73064	IC NJM-2068-DD	HC10053090	
RG55			JUMPER	75060501P0	QC72		4822 209 62784	IC TC9215P ANALOGUE	HC10262050	
RG56			JUMPER	75060501P0	QF01		4822 209 73064	IC NJM2068DD	HC10053090	
RG59			JUMPER	75060501P0	QF02			IC TC9184AP ELE.TONE	HC10444050	
RG60			JUMPER	75060501P0	QF03		4822 209 73064	IC NJM2068DD	HC10053090	
▲ R101	U	4822 050 21003	10kΩ ± 5% 1/2W	GG05103120	QF04			IC TC9184AP ELE.TONE	HC10444050	
R201	U		JUMPER	75060501P0	QG51			IC TC9459F ELE.VOLUME	HC10443050	
▲ R207		4822 050 21801	180Ω ± 5% 1/4W	GG05181140	QG52			IC TC9459F ELE.VOLUME	HC10443050	
R211	K KS	4822 100 11352	TRIM. 22kΩ RH0638CJ4R	RA02230780	QG53			IC TC9459F ELE.VOLUME	HC10443050	
R211	U	4822 100 11351	TRIM. 10kΩ RH0638CS3R	RA01030780	QG54		4822 209 17155	IC NJM2068M	HC10102090	
R212	U	4822 100 11351	TRIM. 10kΩ RH0638CS3R	RA01030780	QG55		4822 209 17155	IC NJM2068M	HC10102090	
▲ R217		4822 050 21801	180Ω ± 5% 1/4W	GG05181140	QV01		4822 209 90532	IC NJU3713D	HC10161090	
R301	U		JUMPER	75060501P0	QV02					
R302	U		JUMPER	75060501P0	∫		4822 130 61227	DIG.TRS. DTA114ES UN4111	BA10001000	
R303	U		JUMPER	75060501P0	QV05			10K 10K		
R304	U		JUMPER	75060501P0	QV06		4822 130 60588	DIG.TRS. DTC114ES UN4211	BA20001000	
▲ R313	K KS	4822 116 83929	220Ω ± 5% 1/4W	GG05221140	QV07			10K 10K		
▲ R314	K KS	4822 116 83929	220Ω ± 5% 1/4W	GG05221140	∫		4822 130 43818	TRS. 2SC2878 A OR BRANK	HT328782A0	
R356	KS	4822 053 10471	470Ω ± 5% 1W	GA05471010	QV12					
▲ R512		4822 053 10271	270Ω ± 5% 1W	GA05271010	Q201			IC LA1837 FM/AM IF/MPX IC	HC10384030	
R516		4822 130 32362	DIODE 1SS176 MA165 1SS254	HD20002000	Q202		4822 130 62294	TRS. 2SC1809S P 150MW	HT318091P0	
			30V 0.1A					500MHz		
R***			P104-RESISTORS (COMMON) CARBON FILM FIXED RES. ±5% 1/6W : R201[K KS] R202-R206 R208-R210 R213-R216 R220 R221[KS] R301-R304[K KS] R307-R310 R315 R316 R352-R354[KS] R357[KS] R502 R504-R507 R508[K U] R509-R511 R513 R515 RA01 RA02 RC01-RC33 RC35-RC42 RC53-RC62 RC71-RC82 RF01-RF36 RC41-RC46 RF48 RF49 RG51-RG54 RV01-RV14		Q203		4822 130 61227	DIG.TRS. DTA114ES UN4111	BA10001000	
					Q204		4822 130 42594	DIG.TRS. DTC144ES UN4213	BA20002000	
					Q209	KS	4822 130 41947	47K 47K		
					Q301	K KS	4822 209 83631	TRS. 2SC2458 2SC1740S	HT30001000	
					Q351	KS	4822 209 16175	2SC3199 ETC		
					Q352	KS	4822 130 61227	IC NJM4558D-D	HC10008090	
					Q353	KS	4822 130 60588	IC LC72720L RDS DECODER	HC10385030	
					Q501			DIG.TRS. DTA114ES UN4111	BA10001000	
								10K 10K		
								DIG.TRS. DTC114ES UN4211	BA20001000	
								10K 10K		
								IC LC72130	HC10394030	

POS. NO	VERS. COLOR	PART NO. (FOR PCS)	DESCRIPTION	PART NO. (MJI)	POS. NO	VERS. COLOR	PART NO. (FOR PCS)	DESCRIPTION	PART NO. (MJI)
A101	K KS U		P104-MISCELLANEOUS		CD43		4822 124 90353	ELECT. 100μF M 10V RA-2	OA10701020
FA01			VHF TUNER TFFJ4E	AV00903010	CD44		4822 124 90353	ELECT. 100μF M 10V RA-2	OA10701020
F201	K KS	4822 242 70665	CER. FILTER SFZ450JL3 451K	FF10045410	CD45		4822 124 21894	ELECT. 10μF 16V	EJ10601610
F201	U	4822 242 70911	CER. FILTER SFE10.7MS3-A	FF11070620	CD46		4822 124 21894	ELECT. 10μF 16V	EJ10601610
F202		4822 242 70665	CER. FILTER SFF10.7MA8-A	FF11070610	CD47		4822 126 11687	CER. 0.1μF +80%-20% CHIP	DK98104200
JC04			CER. FILTER SFE10.7MS3-A	FF11070620	CD48		4822 126 11687	CER. 0.1μF +80%-20% CHIP	DK98104200
JC05			JACK S16B-PH-K-S	YJ06006370	CD49		4822 124 21894	ELECT. 10μF 16V	EJ10601610
JC06			TERMINAL 2P DIRECT IN GLD	YT02021550	CD50		4822 124 21894	ELECT. 10μF 16V	EJ10601610
J101		4822 290 81632	BL/BL CNT.SWF		CD51		4822 124 90353	ELECT. 100μF M 10V RA-2	OA10701020
LA01		4822 157 63084	TERMINAL YKC21-3953 GLD	YT02021500	CD52		4822 124 90353	ELECT. 100μF M 10V RA-2	OA10701020
LA02		4822 157 70779	W/R SURR.IN L/R		CD53		4822 126 11687	CER. 0.1μF +80%-20% CHIP	DK98104200
LA05		4822 157 53589	TERMINAL YKD31-0215A	YT03030020	CD54		4822 126 11687	CER. 0.1μF +80%-20% CHIP	DK98104200
LA06		4822 148 81095	FM/AM ANT PAL TYPE		CD55		5322 126 11578	CER. 1000pF +80%-20% CHIP	DK96102300
L201		4822 157 63904	MW ANT COIL 280μH	LA10295170	CD56		5322 126 11578	CER. 1000pF +80%-20% CHIP	DK96102300
L301		4822 157 71731	OSC. COIL MW	LO70013010	CD61		4822 124 90353	ELECT. 100μF M 10V RA-2	OA10701020
L302		4822 157 71731	CHOKE COIL 39MH J	LC23960710	CD62		4822 124 90353	ELECT. 100μF M 10V RA-2	OA10701020
L350	KS		I.F.T. COIL AM K7-H5	LI70033510	CD63				
L354	KS		FOR SFP450D				4822 126 11687	CER. 0.1μF +80%-20% CHIP	DK98104200
L355	KS		I.F.T. COIL FM DET	LI70376010	CD74				
L356	KS		M292BEAS-5968Z		CD81				
L359	KS		M.P.X. COIL LPF-V10-A1	LS10293020			4822 126 11703	CER. 0.01μF +80%-20% CHIP	DK98103300
L501			19/38kHz						
L504			M.P.X. COIL LPF-V10-A1	LS10293020	CD92				
S301	K	4822 277 21712	19/38kHz		CD93				
X351	KS	4822 242 10857	CHOKE COIL LAL02TA3R3J	LC13323800	CD96		4822 124 90363	ELECT. 220μF M 10V RA-2	OA22701020
X501		4822 242 72333	3.3μH	LC13323800	CD97		4822 124 41535	ELECT. 100μF M 25V RA-2	OA10702520
CD01		4822 126 11687	CHOKE COIL LAL02TA3R3J	LC13323800	CD98		4822 124 41535	ELECT. 100μF M 25V RA-2	OA10702520
CD02		4822 126 11687	3.3μH		CE01		4822 126 11567	CER. 0.022μF ± 10% XTR CHIP	DK96223200
CD03		4822 126 11687	CHOKE COIL LAL02TA3R3J	LC13323800	CE02		4822 124 90353	ELECT. 100μF M 10V RA-2	OA10701020
CD05		4822 124 90353	3.3μH		CE03		4822 126 11687	CER. 0.1μF +80%-20% CHIP	DK98104200
CD06		4822 124 90353	CHOKE COIL LAL02TA3R3J	LC13323800	CE04		4822 124 90353	ELECT. 100μF M 10V RA-2	OA10701020
CD07		4822 124 90353	3.3μH		CE05		4822 126 11687	CER. 0.1μF +80%-20% CHIP	DK98104200
CD09		4822 124 21894	CHOKE COIL LAL02TA3R3J	LC13323800	CE06		5322 126 11578	CER. 1000pF ± 10% B CHIP	DK96102300
CD10		4822 124 21894	3.3μH		CE11		4822 126 11687	CER. 0.1μF +80%-20% CHIP	DK98104200
CD11		4822 124 21894	CHOKE COIL LAL02TA3R3J	LC13323800	CE13		4822 126 11687	CER. 0.1μF +80%-20% CHIP	DK98104200
CD13		4822 126 11687	3.3μH		CE14		4822 122 33753	CER. 150pF ± 5% CG 50V CHIP	DD95151300
CD14		4822 126 11687	CHOKE COIL LAL02TA470J	LC14733800	CE15		4822 122 33753	CER. 150pF ± 5% CG 50V CHIP	DD95151300
CD15		4822 126 11687	47μH		CE18		4822 126 13837	CER. 0.1μF ± 10% B 10V CHIP	DK96104200
CD17		4822 124 21894	SLIDE SWITCH SSSS92	SS02021470	CE19		4822 126 14417	CER. 0.01μF ± 10% 50V CHIP	DK96103300
CD18		4822 124 21894	CRYSTAL 4.332MHz AT-49	JX04003260	CE33		4822 124 90353	ELECT. 100μF M 10V RA-2	OA10701020
CD19		4822 124 21894	CRYSTAL AD0618CTB 7.2MHz	JX07001260	CE34		4822 126 11687	CER. 0.1μF +80%-20% CHIP	DK98104200
CD21		4822 124 90353	P604-AC-3 DTS&THX DECODE		CE35		4822 124 90353	ELECT. 100μF M 10V RA-2	OA10701020
CD22		4822 124 90353	CIRCUIT BOARD		CE36		4822 126 11687	CER. 0.1μF +80%-20% CHIP	DK98104200
CD23		4822 124 90353	P604-CAPACITORS		CE37		4822 126 11687	CER. 0.1μF +80%-20% CHIP	DK98104200
CD25		4822 126 11687	CER. 0.1μF +80%-20% CHIP	DK98104200	CE39			ELECT. 47μF 16V BP	EQ47601630
CD26		4822 126 11687	CER. 0.1μF +80%-20% CHIP	DK98104200	CE42		4822 126 14417	CER. 0.01μF ± 10% 50V CHIP	DK96103300
CD27		4822 126 11687	CER. 0.1μF +80%-20% CHIP	DK98104200	CE43		4822 126 14417	CER. 0.01μF ± 10% 50V CHIP	DK96103300
CD29		5322 126 11578	CER. 0.1μF +80%-20% CHIP	DK98104200	CE44		4822 122 33752	CER. 18pF 50V ±5% CHIP	DD95150300
CD30		5322 126 11578	CER. 0.1μF +80%-20% CHIP	DK98104200	CE45		4822 126 11687	CER. 0.1μF +80%-20% CHIP	DK98104200
CD31		5322 126 11578	CER. 0.1μF +80%-20% CHIP	DK98104200	CE46		4822 122 33757	CER. 18pF ±5% CHIP	DD95180300
CD41		4822 126 11687	CER. 0.1μF +80%-20% CHIP	DK98104200	CE51		4822 126 11687	CER. 0.1μF +80%-20% CHIP	DK98104200
CD42		4822 126 11687	CER. 0.1μF +80%-20% CHIP	DK98104200	CE52		5322 126 11578	CER. 1000pF +80%-20% CHIP	DK96102300
					CE53		4822 126 11687	CER. 0.1μF +80%-20% CHIP	DK98104200
					CE54		4822 126 11687	CER. 0.1μF +80%-20% CHIP	DK98104200
					CE56				
							4822 126 11687	CER. 0.1μF +80%-20% CHIP	DK98104200
					CE60				
					CE61		4822 124 90353	ELECT. 100μF M 10V RA-2	OA10701020
					CE62		4822 124 90353	ELECT. 100μF M 10V RA-2	OA10701020
					CE63		4822 126 11687	CER. 0.1μF +80%-20% CHIP	DK98104200
					CE65		4822 126 11703	CER. 0.01μF +80%-20% CHIP	DK98103300
					CE66		4822 126 11703	CER. 0.01μF +80%-20% CHIP	DK98103300
					CH05				
							4822 121 10792	FILM 220pF ±5%	OF15221540
					CH08				
					CH14		4822 124 41539	ELECT. 47μF M 16V RA-2	OA47601620
					CH15				
							4822 126 11687	CER. 0.1μF +80%-20% CHIP	DK98104200
					CH18				
					CH26		4822 124 41539	ELECT. 47μF M 16V RA-2	OA47601620

POS. NO	VERS. COLOR	PART NO. (FOR PCS)	DESCRIPTION	PART NO. (MJI)	POS. NO	VERS. COLOR	PART NO. (FOR PCS)	DESCRIPTION	PART NO. (MJI)
CH27		4822 126 11687	CER. 0.1μF +80%-20% CHIP	DK98104200	CK33		4822 124 41535	ELECT. 100μF M 25V RA-2	OA10702520
CH28		4822 126 11687	CER. 0.1μF +80%-20% CHIP	DK98104200	CK34		4822 124 41535	ELECT. 100μF M 25V RA-2	OA10702520
CH31		4822 124 41535	ELECT. 100μF M 25V RA-2	OA10702520	CK35				
CH32		4822 124 41535	ELECT. 100μF M 25V RA-2	OA10702520	}		4822 126 11687	CER. 0.1μF +80%-20% CHIP	DK98104200
CH33		4822 126 11687	CER. 0.1μF +80%-20% CHIP	DK98104200	CK40				
CH34		4822 126 11687	CER. 0.1μF +80%-20% CHIP	DK98104200	CK41		4822 124 21894	ELECT 10μF 16V	EJ10601610
CH35		4822 122 33761	CER. 22pF ±5% CG50V CHIP	DD95220300	CK42		4822 124 21894	ELECT 10μF 16V	EJ10601610
CH36		4822 122 33761	CER. 22pF ±5% CG50V CHIP	DD95220300	CK43		4822 124 41539	ELECT. 47μF M 16V RA-2	OA47601620
CH55					CK44		4822 124 41539	ELECT. 47μF M 16V RA-2	OA47601620
}		4822 121 10792	FILM 220pF ±5%	OF15221540	CK45		4822 122 33761	CER. 22pF ±5% CG50V CHIP	DD95220300
CH58					CK46		4822 122 33761	CER. 22pF ±5% CG50V CHIP	DD95220300
CH64		4822 124 41539	ELECT. 47μF M 16V RA-2	OA47601620	CR01		4822 126 11687	CER. 0.1μF +80%-20% CHIP	DK98104200
CH65					CR02		4822 124 90353	ELECT. 100μF M 10V RA-2	OA10701020
}		4822 126 11687	CER. 0.1μF +80%-20% CHIP	DK98104200	CR03		4822 126 11687	CER. 0.1μF +80%-20% CHIP	DK98104200
CH68					CR04		4822 124 90353	ELECT. 100μF M 10V RA-2	OA10701020
CH76		4822 124 41539	ELECT. 47μF M 16V RA-2	OA47601620	CR05		4822 126 11687	CER. 0.1μF +80%-20% CHIP	DK98104200
CH77		4822 126 11687	CER. 0.1μF +80%-20% CHIP	DK98104200	CR06		4822 124 90353	ELECT. 100μF M 10V RA-2	OA10701020
CH78		4822 126 11687	CER. 0.1μF +80%-20% CHIP	DK98104200	CR07		4822 126 13837	CER. 0.1μF ± 10% B 10V CHIP	DK96104200
CH81		4822 124 41535	ELECT. 100μF M 25V RA-2	OA10702520	CR08		4822 126 11687	CER. 0.1μF +80%-20% CHIP	DK98104200
CH82		4822 124 41535	ELECT. 100μF M 25V RA-2	OA10702520	CR10		4822 126 11568	CER. 470pF ±20% CHIP	DK96471300
CH83		4822 126 11687	CER. 0.1μF +80%-20% CHIP	DK98104200	CR11		4822 126 13837	CER. 0.1μF ± 10% B 10V CHIP	DK96104200
CH84		4822 126 11687	CER. 0.1μF +80%-20% CHIP	DK98104200	CR12		4822 126 13837	CER. 0.1μF ± 10% B 10V CHIP	DK96104200
CH85		4822 122 33761	CER. 22pF ±5% CG50V CHIP	DD95220300	CR13		4822 126 11687	CER. 0.1μF +80%-20% CHIP	DK98104200
CH86		4822 122 33761	CER. 22pF ±5% CG50V CHIP	DD95220300	CR14		4822 126 11687	CER. 0.1μF +80%-20% CHIP	DK98104200
CJ05					CR15		4822 124 90353	ELECT. 100μF M 10V RA-2	OA10701020
}		4822 121 10792	FILM 220pF ±5%	OF15221540	CR16		4822 126 11687	CER. 0.1μF +80%-20% CHIP	DK98104200
CJ08					CR17		4822 124 90353	ELECT. 100μF M 10V RA-2	OA10701020
CJ11		4822 124 41539	ELECT. 47μF M 16V RA-2	OA47601620	CR18		4822 126 11687	CER. 0.1μF +80%-20% CHIP	DK98104200
CJ12		4822 124 41539	ELECT. 47μF M 16V RA-2	OA47601620	CR20		5322 126 11583	CER. 0.01μF ± 10% B CHIP	DK96103200
CJ13					CR21		5322 126 11583	CER. 0.01μF ± 10% B CHIP	DK96103200
}		4822 126 11687	CER. 0.1μF +80%-20% CHIP	DK98104200	CR22				
CJ16					}		4822 126 11687	CER. 0.1μF +80%-20% CHIP	DK98104200
CJ17		4822 122 33761	CER. 22pF ±5% CG50V CHIP	DD95220300	CR25				
CJ18		4822 122 33761	CER. 22pF ±5% CG50V CHIP	DD95220300	CR26		4822 126 11703	CER. 0.01μF +80%-20% CHIP	DK98103300
CJ21		4822 124 41535	ELECT. 100μF M 25V RA-2	OA10702520	CR27		4822 126 11703	CER. 0.01μF +80%-20% CHIP	DK98103300
CJ22		4822 124 41535	ELECT. 100μF M 25V RA-2	OA10702520	CR28		4822 124 90353	ELECT. 100μF M 10V RA-2	OA10701020
CJ23		4822 126 11687	CER. 0.1μF +80%-20% CHIP	DK98104200	CR29		4822 126 11687	CER. 0.1μF +80%-20% CHIP	DK98104200
CJ24		4822 126 11687	CER. 0.1μF +80%-20% CHIP	DK98104200	CR30		5322 126 11578	CER. 1000pF ± 10% B CHIP	DK96102300
CJ55									
}		4822 121 10792	FILM 220pF ±5%	OF15221540	C601		4822 126 11703	CER. 0.01μF +80%-20% CHIP	DK98103300
CJ58					C602		4822 126 11703	CER. 0.01μF +80%-20% CHIP	DK98103300
CJ59		4822 126 11687	CER. 0.1μF +80%-20% CHIP	DK98104200	C603		4822 124 90353	ELECT. 100μF M 10V RA-2	OA10701020
CJ60		4822 126 11687	CER. 0.1μF +80%-20% CHIP	DK98104200	C604		4822 126 11703	CER. 0.01μF +80%-20% CHIP	DK98103300
CJ61		4822 122 33761	CER. 22pF ±5% CG50V CHIP	DD95220300	C605		4822 126 11703	CER. 0.01μF +80%-20% CHIP	DK98103300
CJ62		4822 122 33761	CER. 22pF ±5% CG50V CHIP	DD95220300	C606		4822 124 90353	ELECT. 100μF M 10V RA-2	OA10701020
CJ75					C607		4822 126 11687	CER. 0.1μF +80%-20% CHIP	DK98104200
}		4822 121 10792	FILM 220pF ±5%	OF15221540	C608		4822 122 33761	CER. 22pF ± 5% CG 50V CHIP	DD95220300
CJ78					C609		4822 122 33761	CER. 22pF ± 5% CG 50V CHIP	DD95220300
CJ79		4822 126 11687	CER. 0.1μF +80%-20% CHIP	DK98104200	C610		4822 126 11687	CER. 0.1μF +80%-20% CHIP	DK98104200
CJ80		4822 126 11687	CER. 0.1μF +80%-20% CHIP	DK98104200	C611		4822 124 90353	ELECT. 100μF M 10V RA-2	OA10701020
CJ81		4822 122 33761	CER. 22pF ±5% CG50V CHIP	DD95220300	C612		4822 126 11568	CER. 470pF ±10% CHIP	DK96471300
CJ82		4822 122 33761	CER. 22pF ±5% CG50V CHIP	DD95220300	C613		4822 126 11687	CER. 0.1μF +80%-20% CHIP	DK98104200
CK01					C614		4822 126 11687	CER. 0.1μF +80%-20% CHIP	DK98104200
}		4822 124 90352	ELECT. 10μF M 16V RA-2	OA10601620	C615		4822 126 11687	CER. 0.1μF +80%-20% CHIP	DK98104200
CK04					C616		5322 126 11583	CER. 0.01μF ± 10% B CHIP	DK96103200
CK05					C617		4822 126 11687	CER. 0.1μF +80%-20% CHIP	DK98104200
}		4822 126 11696	CER. 470pF ±5% SL CHIP	DD95471370	C618		4822 126 11687	CER. 0.1μF +80%-20% CHIP	DK98104200
CK08					C619		4822 124 90353	ELECT. 100μF M 10V RA-2	OA10701020
CK11					C620		4822 124 90353	ELECT. 100μF M 10V RA-2	OA10701020
}		4822 126 11687	CER. 0.1μF +80%-20% CHIP	DK98104200	C621		4822 126 11687	CER. 0.1μF +80%-20% CHIP	DK98104200
CK20					C622		4822 124 90353	ELECT. 100μF M 10V RA-2	OA10701020
CK21		4822 124 90353	ELECT. 100μF M 10V RA-2	OA10701020	C623		4822 126 11687	CER. 0.1μF +80%-20% CHIP	DK98104200
CK22		4822 124 21894	ELECT 10μF 16V	EJ10601610	C624		4822 126 11687	CER. 0.1μF +80%-20% CHIP	DK98104200
CK23		4822 126 11687	CER. 0.1μF +80%-20% CHIP	DK98104200	C625		4822 126 11687	CER. 0.1μF +80%-20% CHIP	DK98104200
CK24		5322 126 11583	CER. 0.01μF ± 10% B CHIP	DK96103200	C651		4822 126 11703	CER. 0.01μF +80%-20% CHIP	DK98103300
CK25		4822 124 90353	ELECT. 100μF M 10V RA-2	OA10701020	C652		4822 126 11703	CER. 0.01μF +80%-20% CHIP	DK98103300
CK26		4822 124 90353	ELECT. 100μF M 10V RA-2	OA10701020	C653		4822 124 90353	ELECT. 100μF M 10V RA-2	OA10701020
CK27					C654		4822 126 11687	CER. 0.1μF +80%-20% CHIP	DK98104200
}		4822 126 11687	CER. 0.1μF +80%-20% CHIP	DK98104200	C655		4822 126 11687	CER. 0.1μF +80%-20% CHIP	DK98104200
CK31					C656		4822 126 11687	CER. 0.1μF +80%-20% CHIP	DK98104200

POS. NO	VERS. COLOR	PART NO. (FOR PCS)	DESCRIPTION	PART NO. (MJI)	POS. NO	VERS. COLOR	PART NO. (FOR PCS)	DESCRIPTION	PART NO. (MJI)
C657		4822 124 90353	ELECT. 100 μ F M 10V RA-2	OA10701020	RE45		4822 051 30103	CHIP 10k Ω \pm 5% 1/16W	NN05103610
C658					RE46		4822 051 30103	CHIP 10k Ω \pm 5% 1/16W	NN05103610
}		4822 126 11687	CER. 0.1 μ F +80%-20% CHIP	DK98104200	RE47		4822 051 30473	CHIP 47k Ω \pm 5% 1/16W	NN05473610
C662					RE48		4822 051 30473	CHIP 47k Ω \pm 5% 1/16W	NN05473610
C663		4822 126 13396	CER. 0.047 μ F \pm 10% 16V CHIP	DK96473200	RE49		4822 051 30473	CHIP 47k Ω \pm 5% 1/16W	NN05473610
C664		4822 126 11687	CER. 0.1 μ F +80%-20% CHIP	DK98104200	RE50		4822 117 12139	CHIP 22 Ω \pm 5% 1/16W	NN05220610
C666		4822 126 11687	CER. 0.1 μ F +80%-20% CHIP	DK98104200	RE61		4822 051 30104	CHIP 100k Ω \pm 5% 1/16W	NN05104610
C667		4822 124 90353	ELECT. 100 μ F M 10V RA-2	OA10701020	RE62		4822 051 30102	CHIP 1k Ω \pm 5% 1/16W	NN05102610
C668		4822 126 11687	CER. 0.1 μ F +80%-20% CHIP	DK98104200	RE63		4822 051 30103	CHIP 10k Ω \pm 5% 1/16W	NN05103610
C669		4822 126 14417	CER. 0.01 μ F \pm 10% B CHIP	DK96103300	RE64		4822 051 30103	CHIP 10k Ω \pm 5% 1/16W	NN05103610
C670		4822 126 11687	CER. 0.1 μ F +80%-20% CHIP	DK98104200	RE65		4822 116 82487	CHIP 0 Ω \pm 5% 1/16W	NN05000610
C680		4822 126 11687	CER. 0.1 μ F +80%-20% CHIP	DK98104200	RE67		4822 116 82487	CHIP 0 Ω \pm 5% 1/16W	NN05000610
C691		4822 126 14417	CER. 0.01 μ F +80%-20% CHIP	DK96103300	RE68		4822 116 82487	CHIP 0 Ω \pm 5% 1/16W	NN05000610
C692		4822 126 11687	CER. 0.1 μ F +80%-20% CHIP	DK98104200	RH01				
C693		4822 126 11687	CER. 0.1 μ F +80%-20% CHIP	DK98104200	}		4822 116 83211	CHIP 1.8k Ω \pm 5% 1/16W	NN05182610
C694		4822 124 90353	ELECT. 100 μ F M 10V RA-2	OA10701020	RH12				
C695		4822 126 11687	CER. 0.1 μ F +80%-20% CHIP	DK98104200	RH13				
C696		5322 126 11583	CER. 0.01 μ F \pm 10% B CHIP	DK96103200	}		4822 051 30222	CHIP 2.2k Ω \pm 5% 1/16W	NN05222610
C697		5322 126 11583	CER. 0.01 μ F \pm 10% B CHIP	DK96103200	RH19				
					RH21		4822 051 30152	CHIP 1.5k Ω \pm 5% 1/16W	NN05152610
					RH22		4822 051 30222	CHIP 2.2k Ω \pm 5% 1/16W	NN05222610
					RH23		4822 116 83208	CHIP 12k Ω \pm 5% 1/16W	NN05123610
					RH24		4822 051 30101	CHIP 100 Ω \pm 5% 1/16W	NN05101610
					RH25		4822 051 30104	CHIP 100k Ω \pm 5% 1/16W	NN05104610
					RH26				
					}		4822 051 30222	CHIP 2.2k Ω \pm 5% 1/16W	NN05222610
					RH32				
					RH34		4822 051 30152	CHIP 1.5k Ω \pm 5% 1/16W	NN05152610
					RH35		4822 051 30222	CHIP 2.2k Ω \pm 5% 1/16W	NN05222610
					RH36		4822 116 83208	CHIP 12k Ω \pm 5% 1/16W	NN05123610
					RH37		4822 051 30101	CHIP 100 Ω \pm 5% 1/16W	NN05101610
					RH38		4822 051 30104	CHIP 100k Ω \pm 5% 1/16W	NN05104610
					RH39		4822 051 30222	CHIP 2.2k Ω \pm 5% 1/16W	NN05222610
					RH40		4822 051 30222	CHIP 2.2k Ω \pm 5% 1/16W	NN05222610
					RH41		4822 051 30103	CHIP 10k Ω \pm 5% 1/16W	NN05103610
					RH42		4822 051 30105	CHIP 1M Ω \pm 5% 1/16W	NN05105610
					RH51				
					}		4822 116 83211	CHIP 1.8k Ω \pm 5% 1/16W	NN05182610
					RH62				
					RH63				
					}		4822 051 30222	CHIP 2.2k Ω \pm 5% 1/16W	NN05222610
					RH69				
					RH72		4822 051 30222	CHIP 2.2k Ω \pm 5% 1/16W	NN05222610
					RH73		4822 116 83208	CHIP 12k Ω \pm 5% 1/16W	NN05123610
					RH74		4822 051 30101	CHIP 100 Ω \pm 5% 1/16W	NN05101610
					RH75		4822 051 30104	CHIP 100k Ω \pm 5% 1/16W	NN05104610
					RH76				
					}		4822 051 30222	CHIP 2.2k Ω \pm 5% 1/16W	NN05222610
					RH82				
					RH85		4822 051 30472	CHIP 4.7k Ω \pm 5% 1/16W	NN05472610
					RH86		4822 051 30222	CHIP 2.2k Ω \pm 5% 1/16W	NN05222610
					RH87		4822 051 30101	CHIP 100 Ω \pm 5% 1/16W	NN05101610
					RH88		4822 051 30104	CHIP 100k Ω \pm 5% 1/16W	NN05104610
					RJ01				
					}		4822 116 83211	CHIP 1.8k Ω \pm 5% 1/16W	NN05182610
					RJ12				
					RJ13				
					}		4822 051 30222	CHIP 2.2k Ω \pm 5% 1/16W	NN05222610
					RJ16				
					RJ17		4822 051 30472	CHIP 4.7k Ω \pm 5% 1/16W	NN05472610
					RJ18		4822 051 30472	CHIP 4.7k Ω \pm 5% 1/16W	NN05472610
					RJ19		4822 116 83215	CHIP 5.6k Ω \pm 5% 1/16W	NN05562610
					RJ20		4822 116 83215	CHIP 5.6k Ω \pm 5% 1/16W	NN05562610
					RJ21		4822 051 30101	CHIP 100 Ω \pm 5% 1/16W	NN05101610
					RJ22		4822 051 30101	CHIP 100 Ω \pm 5% 1/16W	NN05101610
					RJ23		4822 051 30104	CHIP 100k Ω \pm 5% 1/16W	NN05104610
					RJ24		4822 051 30104	CHIP 100k Ω \pm 5% 1/16W	NN05104610
					RJ25		4822 051 30103	CHIP 10k Ω \pm 5% 1/6W	NN05103610
					RJ26		4822 051 30103	CHIP 10k Ω \pm 5% 1/16W	NN05103610

POS. NO	VERS. COLOR	PART NO. (FOR PCS)	DESCRIPTION	PART NO. (MJI)	POS. NO	VERS. COLOR	PART NO. (FOR PCS)	DESCRIPTION	PART NO. (MJI)
RJ51					R662		4822 051 30473	CHIP 47kΩ ± 5% 1/16W	NN05473610
§		4822 116 83211	CHIP 1.8kΩ ± 5% 1/16W	NN05182610	R663		4822 116 82487	CHIP 0Ω ± 5% 1/16W	NN05000610
RJ62					R683		4822 051 30473	CHIP 47kΩ ± 5% 1/16W	NN05473610
RJ71					R684		4822 051 30479	CHIP 47Ω ± 5% 1/16W	NN05470610
§		4822 116 83211	CHIP 1.8kΩ ± 5% 1/16W	NN05182610	R685		4822 051 30479	CHIP 47Ω ± 5% 1/16W	NN05470610
RJ82					R686		4822 051 30479	CHIP 47Ω ± 5% 1/16W	NN05470610
RK01					R687		4822 051 30474	CHIP 470kΩ ± 5% 1/16W	NN05474610
§		4822 051 30103	CHIP 10kΩ ± 5% 1/16W	NN05103610	R689		4822 051 30103	CHIP 10kΩ ± 5% 1/16W	NN05103610
RK04					R691		4822 051 30103	CHIP 10kΩ ± 5% 1/16W	NN05103610
RK05		4822 116 83339	CHIP 56Ω ± 5% 1/16W	NN05560610	R692		4822 051 30104	CHIP 100kΩ ± 5% 1/16W	NN05104610
RK06		4822 116 83339	CHIP 56Ω ± 5% 1/16W	NN05560610	R694		4822 051 30103	CHIP 10kΩ ± 5% 1/16W	NN05103610
RK07					R695		4822 051 30103	CHIP 10kΩ ± 5% 1/16W	NN05103610
§		4822 051 30472	CHIP 4.7kΩ ± 5% 1/16W	NN05472610	R697		4822 051 30103	CHIP 10kΩ ± 5% 1/16W	NN05103610
RK18									
RK19									
§		4822 051 30399	CHIP 39Ω ± 5% 1/16W	NN05390610					
RK22									
RK23		4822 051 30103	CHIP 10kΩ ± 5% 1/16W	NN05103610	DE01		4822 130 10683	CHIP DIODE KV1851-TL00	HZ40003420
RK24		4822 051 30103	CHIP 10kΩ ± 5% 1/16W	NN05103610	DR01		4822 130 81324	CHIP DIODE 1SS302	HZ20018050
RK31		4822 051 30101	CHIP 100Ω ± 5% 1/16W	NN05101610	DR02		4822 130 81324	CHIP DIODE 1SS302	HZ20018050
RK32		4822 051 30472	CHIP 4.7kΩ ± 5% 1/16W	NN05472610	DR03		4822 130 80522	CHIP DIODE 1SS300 DAP202U	HZ21006000
RK33		4822 051 30472	CHIP 4.7kΩ ± 5% 1/16W	NN05472610	D692		4822 130 83715	CHIP DIODE 1SS301 DAN202U	HZ21005000
RK34		4822 051 30101	CHIP 100Ω ± 5% 1/16W	NN05101610	D693		4822 130 83715	CHIP DIODE 1SS301 DAN202U	HZ21005000
RK35		4822 526 10584	FERRITE CORE	FC90090010					
			ZBF503D-00TA		QD01			IC AD1855 DAC 24BIT 96kHz	HC10013840
RK36		4822 526 10584	FERRITE CORE	FC90090010	QD02			IC AD1855 DAC 24BIT 96kHz	HC10013840
			ZBF503D-00TA		QD03			IC AD1855 DAC 24BIT 96kHz	HC10013840
RK37		4822 526 10584	FERRITE CORE	FC90090010	QD41			IC AD1855 DAC 24BIT 96kHz	HC10013840
			ZBF503D-00TA		QD42			IC AD1855 DAC 24BIT 96kHz	HC10013840
RR01		4822 051 30759	CHIP 75Ω ± 5% 1/16W	NN05750610	QD43			IC TC160G11AU-1305	HC10438050
RR02		4822 051 30759	CHIP 75Ω ± 5% 1/16W	NN05750610				3120 200 50070	
RR03		4822 051 30104	CHIP 100kΩ ± 5% 1/16W	NN05104610	QD44			IC TC160G11AU-1305	HC10438050
RR04		4822 051 30104	CHIP 100kΩ ± 5% 1/16W	NN05104610				3120 200 50070	
RR05		4822 051 30472	CHIP 4.7kΩ ± 5% 1/16W	NN05472610	QE01			CHIP TR. 2SC4081 Q R	HX300012A0
RR06		4822 051 30472	CHIP 4.7kΩ ± 5% 1/16W	NN05472610	§			2SC4116 Y GR	
RR07		4822 051 30339	CHIP 33Ω ± 5% 1/16W	NN05330610	QE03			IC MC14577C SOP	HC10065170
RR08		4822 051 30339	CHIP 33Ω ± 5% 1/16W	NN05330610	QE04		4822 209 14876	CHIP TR. 2SC4081 Q R	HX300012A0
RR09		4822 051 30759	CHIP 75Ω ± 5% 1/16W	NN05750610	QE05			2SC4116 Y GR	
RR10		4822 051 30391	CHIP 390Ω ± 5% 1/16W	NN05391610	QE06		4822 130 10698	CHIP TR. 2SA1586 Y GR	HX100012A0
RR12								2SA1576A Q R	
§		4822 116 82487	CHIP 0Ω ± 5% 1/16W	NN05000610	QE07		4822 130 10698	CHIP TR. 2SA1586 Y GR	HX100012A0
RR15								2SA1576A Q R	
RR16		4822 051 30103	CHIP 10kΩ ± 5% 1/16W	NN05103610	QE08		4822 209 83357	IC NJM4560M	HC10029090
RR17					QE09			IC PM4007A	HC10016660
§		4822 116 82487	CHIP 0Ω ± 5% 1/16W	NN05000610				AC-3 RF DEMODURATOR	
RR20					QE10		4822 209 14864	IC 8X32K SRAM <35NS	HC10076000
RR21		4822 051 30103	CHIP 10kΩ ± 5% 1/16W	NN05103610	QH01		4822 209 91175	IC NJM2114M OP AMP	HC10175090
RR22		4822 051 30103	CHIP 10kΩ ± 5% 1/16W	NN05103610	QH02		4822 209 91175	IC NJM2114M OP AMP	HC10175090
RR23		4822 051 30102	CHIP 1kΩ ± 5% 1/16W	NN05102610	QH03		4822 209 91175	IC NJM2114M OP AMP	HC10175090
RR24		4822 051 30102	CHIP 1kΩ ± 5% 1/16W	NN05102610	QH04		4822 130 61227	DIG.TR.S. DTA114ES UN4111	BA10001000
RR25		4822 051 30759	CHIP 75Ω ± 5% 1/16W	NN05750610				10K 10K	
RR27		4822 051 30103	CHIP 10kΩ ± 5% 1/16W	NN05103610	QH05		4822 130 43818	TRS. 2SC2878 A B	HT328782A0
RR81					QH06		4822 130 43818	TRS. 2SC2878 A B	HT328782A0
§		4822 051 30103	CHIP 10kΩ ± 5% 1/16W	NN05103610	QH51		4822 209 91175	IC NJM2114M OP AMP	HC10175090
RR84					QH52		4822 209 91175	IC NJM2114M OP AMP	HC10175090
					QH53		4822 209 91175	IC NJM2114M OP AMP	HC10175090
R601		4822 051 30105	CHIP 1MΩ ± 5% 1/16W	NN05105610	QJ01		4822 209 91175	IC NJM2114M OP AMP	HC10175090
R602		4822 051 30103	CHIP 10kΩ ± 5% 1/16W	NN05103610	QJ02		4822 209 91175	IC NJM2114M OP AMP	HC10175090
R603		4822 116 82487	CHIP 0Ω ± 5% 1/16W	NN05000610	QJ51		4822 209 91175	IC NJM2114M OP AMP	HC10175090
R604		4822 116 82487	CHIP 0Ω ± 5% 1/16W	NN05000610	QJ71		4822 209 91175	IC NJM2114M OP AMP	HC10175090
R605		4822 116 82487	CHIP 0Ω ± 5% 1/16W	NN05000610	QK01			IC CS5394 2CH.ADC 24BIT	HC10003880
R606		4822 051 30223	CHIP 22kΩ ± 5% 1/16W	NN05223610	QK03				
R651		4822 051 30103	CHIP 10kΩ ± 5% 1/16W	NN05103610	§		4822 209 91175	IC NJM2114M OP AMP	HC10175090
R652		4822 051 30103	CHIP 10kΩ ± 5% 1/16W	NN05103610	QK06				
R653		4822 116 82487	CHIP 0Ω ± 5% 1/16W	NN05000610	QR01			IC CS8414 SPDIF RECEIVER	HC10004880
R654		4822 051 30472	CHIP 4.7kΩ ± 5% 1/16W	NN05472610	QR02			IC TC74HC151AF	HC715100Z0
R655		4822 116 82487	CHIP 0Ω ± 5% 1/16W	NN05000610	QR03			IC TC74HC151AF	HC715100Z0
R656		4822 116 82487	CHIP 0Ω ± 5% 1/16W	NN05000610	QR04		4822 209 30426	IC 74HC00 CMOS	HC700000Z0
R657		4822 116 82487	CHIP 0Ω ± 5% 1/16W	NN05000610	QR05		4822 209 30426	IC 74HC00 CMOS	HC700000Z0
R659		4822 051 30472	CHIP 4.7kΩ ± 5% 1/16W	NN05472610	QR06		4822 209 32879	IC TC74HC157A	HC715705Z0
R661		4822 051 30223	CHIP 22kΩ ± 5% 1/16W	NN05223610	QR07			IC 74HCU04 CMOS	HC700400Z0

POS. NO	VERS. COLOR	PART NO. (FOR PCS)	DESCRIPTION	PART NO. (MJI)	POS. NO	VERS. COLOR	PART NO. (FOR PCS)	DESCRIPTION	PART NO. (MJI)
QR08		4822 209 90909	IC TC7W74FU D-F/F	HC10400050	X691			SERAMIC VIB.	FQ01005010
Q601			IC YSS912	HC10014640				CST10.0MTW-TF01 10.0MHz	
Q602			DTS AC-3 DECODER					P704-3CH POWER-AMP. CIRCUIT BOARD	
Q603			IC TC7WT241FU	HC007405K0				P704-CAPACITORS	
Q604			IC TC7WT126FU	HC007305K0				ELECT. 47µF 10V	OA47601020
Q605			IC 1M SRAM 8X128K 15NS	HC10088000	CT01		4822 124 22275	FILM 470pF ±5% 100V	OF15471540
Q651			IC TCW32FU OR *2	HC10419050	CT03			FILM 470pF ±5%	OF15471540
			IC ZR38600	HC10051990	CT05			ELECT. 470pF ±5%	OF15471540
Q652			AC-3 THX5.1 DECODER		CT07		4822 124 41544	ELECT. 470µF M 6.3V RA-2	OA47700620
Q691			IC TC7SET04F	HC007205K0	CT11			ELECT. 220µF M 100V RA2	OA22710020
			IC µPD78018 CPU	HU300JN50F	CT13			ELECT. 220µF M 100V RA2	OA22710020
Q692			FOR SURROUND CONTROL		CT15		4822 124 11533	ELECT. 1µF M 100V RA2	OA10510020
Q693			IC TC7WT126FU	HC007305K0	CT17		4822 123 30088	MICA 10pF ±0.5pF	DF31100520
Q694		4822 209 12845	IC S-80745AN	HC10048530	CT19			ELECT. 4.7µF M 100V	EA47510010
			IC S-80730SN-DT-X RESET	HC10054530	CT27		4822 121 70544	FILM 120pF ±5% 100V APSV	OF15121540
JE01			P604-MISCELLANEOUS		CT29		4822 121 70544	FILM 120pF ±5% 100V APSV	OF15121540
JR01			TERMINAL YKC21-3707	YT02011030	C701		4822 124 22275	ELECT. 47µF 10V	OA47601020
JR02		4822 218 11487	TERMINAL RCA 2P AU BL	YT02021540	C702		4822 124 22275	ELECT. 47µF 10V	OA47601020
JR03		4822 218 11487	OPTICAL RECEIVER GP1F32R	YJ15000150	C703				
JR04		4822 267 31369	OPTICAL RECEIVER GP1F32R	YJ15000150	∫			FILM 470pF ±5% 100V	OF15471540
JR05		4822 267 31369	OPTICAL OUTPUT GP1F32T	YJ15000090	C706				
LD01		4822 290 81638	TERMINAL 14X14 RA 1L1P BL	YT02010790	C707		4822 124 41544	ELECT. 470µF M 6.3V RA-2	OA47700620
∫					C708		4822 124 41544	ELECT. 470µF M 6.3V RA-2	OA47700620
LD07		4822 526 10584	FERRITE CORE	FC90090010	C711				
LD41		4822 526 10584	ZBF503D-00TA	FC90090010	∫			ELECT. 220µF M 100V RA-2	OA22710020
			FERRITE CORE		C714				
LD42		4822 526 10584	ZBF503D-00TA	FC90090010	C715		4822 124 11533	ELECT. 1µF M 100V RA-2	OA10510020
			FERRITE CORE		C716		4822 124 11533	ELECT. 1µF M 100V RA-2	OA10510020
LD45		4822 526 10584	ZBF503D-00TA	FC90090010	C717		4822 123 30088	MICA 10pF ±0.5pF	DF31100520
			FERRITE CORE		C718		4822 123 30088	MICA 10pF ±0.5pF	DF31100520
LD46		4822 526 10584	ZBF503D-00TA	FC90090010	C719			ELECT. 4.7µF M 100V	EA47510010
			FERRITE CORE		C720			ELECT. 4.7µF M 100V	EA47510010
LD81			ZBF503D-00TA		C727				
∫		4822 242 73843	EMI FILTER DSS306-91-F-223Z	FM12223010	∫		4822 121 70544	FILM 120pF ±5% 100V APSV	OF15121540
LD86					C730				
LE01			CHIP INDUCTANCE 68µH	LU12683010					
			NL322522-680K					P704-CAPACITORS (COMMON)	
LE02		4822 242 10582	L.C. FLITTER SBP-4930	FF30288010	***			PLASTIC FILM CAPACITOR	
			2.88MHz B.P.F.					±5% 50V : C721-C726 CT21	
LE03		4822 242 73843	EMI FILTER DSS306-91-F-223Z	FM12223010				CT23 CT25	
LE04		4822 242 73843	EMI FILTER DSS306-91-F-223Z	FM12223010				P704-RESISTORS	
LH01		4822 526 10584	FERRITE CORE	FC90090010	▲ RT07			1.5kΩ ±5% 1/6W	GG05152160
			ZBF503D-00TA		▲ RT09			1.5kΩ ±5% 1/6W	GG05152160
LH02		4822 526 10584	FERRITE CORE	FC90090010	RT15		4822 100 11471	TRIM. 100kΩ RH0638CJ4R	RA01040780
			ZBF503D-00TA		▲ RT25		4822 052 10561	560Ω ±5% 1/6W	GG05561160
LH51		4822 526 10584	FERRITE CORE	FC90090010	▲ RT27		4822 052 10561	560Ω ±5% 1/6W	GG05561160
			ZBF503D-00TA		▲ RT29		4822 052 10561	560Ω ±5% 1/6W	GG05561160
LH52		4822 526 10584	FERRITE CORE	FC90090010	▲ RT31		4822 052 10561	560Ω ±5% 1/6W	GG05561160
			ZBF503D-00TA		▲ RT33		4822 052 10569	56Ω ±5% 1/6W	GG05560160
LJ01		4822 526 10584	FERRITE CORE	FC90090010	▲ RT35		4822 052 10569	56Ω ±5% 1/6W	GG05560160
			ZBF503D-00TA		RT43		4822 100 20681	TRIM. 2.2kΩ RH0638CJ3R	RA02220780
LJ02		4822 526 10584	FERRITE CORE	FC90090010	▲ RT49		4822 052 10109	10Ω ±5% 1/4W	GG05100140
			ZBF503D-00TA		▲ RT51		4822 052 10109	10Ω ±5% 1/4W	GG05100140
LK01		4822 526 10584	FERRITE CORE	FC90090010	▲ RT53		4822 052 10101	100Ω ±5% 1/6W	GG05101160
			BF503D-00TA		▲ RT55		4822 052 10101	100Ω ±5% 1/6W	GG05101160
LR01		4822 142 60422	PULSE TRANSF.	TP41042030	RT57			JUMPER	75060501P0
			TPS247MN-0386AN		RT59			JUMPER	75060501P0
LR02		4822 242 73843	EMI FILTER DSS306-91-F-223Z	FM12223010	▲ RT61		4822 052 10102	1kΩ ±5% 1/6W	GG05102160
L601		4822 242 73843	EMI FILTER DSS306-91-F-223Z	FM12223010	▲ RT63		4822 052 10229	22Ω ±5% 1/6W	GG05220160
L602		4822 242 73843	EMI FILTER DSS306-91-F-223Z	FM12223010	▲ RT65		4822 052 10229	22Ω ±5% 1/6W	GG05220160
L651		4822 242 73843	EMI FILTER DSS306-91-F-223Z	FM12223010	▲ RT67		4822 116 60319	FUSIBLE 220Ω ±5% 1/2W	NH05221120
L691		4822 157 10884	EMI FILTER BLM11A221S	FN31000010	RT69			JUMPER	75060501P0
L692					RT71			JUMPER	75060501P0
∫		4822 157 10884	EMI FILTER BLM11A221S	FN31000010	▲ RT73			0.10Ω ±10% 5W X2 RGC55 W	BZ10102020
L697					▲ RT75		4822 052 10102	1kΩ ±5% 1/6W	GG05102160
XE01			CRYSTAL 18.432MHz AT-49	JX18001260	▲ RT77		4822 050 22202	2.2kΩ ±5% 1/6W	GG05222160
X601		4822 242 10851	CRYSTAL 12.288MHz AT-49	JX12013260	▲ RT83		4822 116 83929	220Ω ±5% 1/4W	GG05221140

POS. NO	VERS. COLOR	PART NO. (FOR PCS)	DESCRIPTION	PART NO. (MJI)	POS. NO	VERS. COLOR	PART NO. (FOR PCS)	DESCRIPTION	PART NO. (MJI)
▲ RT85		4822 053 10109	10Ω ±5% 1W	GA05100010	DT21		4822 130 80837	DIODE HSS81	HD20027010
▲ R707					D701				
§			1.5kΩ ±5% 1/6W	GG05152160	§		4822 130 32362	DIODE 1SS176 MA165 1SS254 30V 0.1A	HD20002000
▲ R710					D704				
R715		4822 100 11471	TRIM. 100kΩ RH0638CJ4R	RA01040780	D705			JUMPER	75060501P0
R716		4822 100 11471	TRIM. 100kΩ RH0638CJ4R	RA01040780	§				
▲ R725					D712				
§		4822 052 10569	56Ω ±5% 1/6W	GG05560160	D713		4822 130 80837	DIODE HSS81	HD20027010
▲ R736					§				
R743		4822 100 20681	TRIM. 2.2kΩ RH0638CJ3R	RA02220780	D716				
R744		4822 100 20681	TRIM. 2.2kΩ RH0638CJ3R	RA02220780	D717		4822 130 80317	ZENER DIODE NTJ5.1B 5.1V	HD30511000
▲ R749					§				
§		4822 052 10109	10Ω ±5% 1/4W	GG05100140	D720				
▲ R752					D721		4822 130 80837	DIODE HSS81	HD20027010
▲ R753					D722		4822 130 80837	DIODE HSS81	HD20027010
§		4822 052 10101	100Ω ±5% 1/6W	GG05101160	QT01		4822 130 42949	TRS. 2SA970	HT109702A0
▲ R756					QT03		4822 130 42949	TRS. 2SA970	HT109702A0
R757			JUMPER	75060501P0	QT05		4822 130 42999	TRS. 2SA1145 O Y	HT111452A0
§					QT07		4822 130 43283	TRS. 2SC2705 O Y	HT327052A0
R760					QT09		4822 130 43283	TRS. 2SC2705 O Y	HT327052A0
▲ R761		4822 052 10102	1kΩ ±5% 1/6W	GG05102160	▲ QT11		5322 130 61728	TRS. 2SA1360 O Y	HT113602A0
▲ R762		4822 052 10102	1kΩ ±5% 1/6W	GG05102160	▲ QT13		5322 130 61737	TRS. 2SC3423 O Y	HT334232A0
▲ R763					QT17		4822 130 43283	TRS. 2SC2705 O Y	HT327052A0
§		4822 052 10229	22Ω ±5% 1/6W	GG05220160	QT19		4822 130 42999	TRS. 2SA1145 O Y	HT111452A0
▲ R766					▲ QT21		4822 130 63635	TRS. 2SC4793 O Y	HT347932A0
▲ R767		4822 116 60319	FUSIBLE 220Ω ±5% 1/2W	NH05221120	▲ QT23		4822 130 63634	TRS. 2SA1837 O Y	HT118372A0
▲ R768		4822 116 60319	FUSIBLE 220Ω ±5% 1/2W	NH05221120	QT29		4822 130 43233	TRS. 2SC2240	HT322402A0
R769			JUMPER	75060501P0	Q701		4822 130 42949	TRS. 2SA970	HT109702A0
§					Q704				
R772					Q705		4822 130 42999	TRS. 2SA1145 O Y	HT111452A0
▲ R773			FIXED 0.10Ω ±10% 5W X2 RGC55 W TP	BZ10102020	Q706		4822 130 42999	TRS. 2SA1145 O Y	HT111452A0
▲ R774			FIXED 0.10Ω ±10% 5W X2 RGC55 W TP	BZ10102020	Q707				
▲ R775		4822 052 10102	1kΩ ±5% 1/6W	GG05102160	§		4822 130 43283	TRS. 2SC2705 O Y	HT327052A0
▲ R776		4822 052 10102	1kΩ ±5% 1/6W	GG05102160	▲ Q711		5322 130 61728	TRS. 2SA1360 O Y	HT113602A0
▲ R777		4822 050 22202	2.2kΩ ±5% 1/6W	GG05222160	▲ Q712		5322 130 61728	TRS. 2SA1360 O Y	HT113602A0
▲ R778		4822 050 22202	2.2kΩ ±5% 1/6W	GG05222160	▲ Q713		5322 130 61737	TRS. 2SC3423 O Y	HT334232A0
▲ R783		4822 116 83929	220Ω ±5% 1/4W	GG05221140	▲ Q714		5322 130 61737	TRS. 2SC3423 O Y	HT334232A0
▲ R784		4822 116 83929	220Ω ±5% 1/4W	GG05221140	Q717		4822 130 43283	TRS. 2SC2705 O Y	HT327052A0
▲ R785		4822 053 10109	10Ω ±5% 1W	GA05100010	Q718		4822 130 43283	TRS. 2SC2705 O Y	HT327052A0
▲ R786		4822 053 10109	10Ω ±5% 1W	GA05100010	Q719		4822 130 42999	TRS. 2SA1145 O Y	HT111452A0
			P704-RESISTORS (COMMON) CARBON FILM FIXED RES. ±5% 1/6W : R701-R706 R711-R714 R717-R724 R737-R742 R745-R748 R779-R782 R787-R790 RT01 RT03 RT05 RT11 RT13 RT17 RT19 RT21 RT23 RT37 RT39 RT41 RT45 RT47 RT79 RT81 RT87 RT89		Q720		4822 130 42999	TRS. 2SA1145 O Y	HT111452A0
			P704-SEMICONDUCTORS DIODE 1SS176 MA165 1SS254 30V 0.1A	HD20002000	▲ Q721		4822 130 63635	TRS. 2SC4793 O Y	HT347932A0
DT01		4822 130 32362	DIODE 1SS176 MA165 1SS254 30V 0.1A	HD20002000	▲ Q722		4822 130 63635	TRS. 2SC4793 O Y	HT347932A0
DT03		4822 130 32362	DIODE 1SS176 MA165 1SS254 30V 0.1A	HD20002000	▲ Q723		4822 130 63634	TRS. 2SA1837 O Y	HT118372A0
DT05			JUMPER	75060501P0	▲ Q724		4822 130 63634	TRS. 2SA1837 O Y	HT118372A0
DT07			JUMPER	75060501P0	Q729		4822 130 43233	TRS. 2SC2240	HT322402A0
DT09			JUMPER	75060501P0	Q730		4822 130 43233	TRS. 2SC2240	HT322402A0
DT11			JUMPER	75060501P0	▲ K761			TRS. KIT 2SA1360 2SC3423 PAIR O Y	HK136019C0
DT13		4822 130 80837	DIODE HSS81	HD20027010	§				
DT15		4822 130 80837	DIODE HSS81	HD20027010	▲ K763			TRS. KIT A1837 C4793 HFE MJI RANK	HK183719C0
DT17		4822 130 80317	ZENER DIODE NTJ5.1B 5.1V	HD30511000	▲ K766				
DT19		4822 130 80317	ZENER DIODE NTJ5.1B 5.1V	HD30511000	§				
					▲ K768				
					▲ K771				
					§		4822 130 11394	TRS. KIT 2SA1216 2SC2922 O Y PAIR	HK121619F0
					▲ K773				
					LT01		4822 157 70022	P704-MISCELLANEOUS AIR COIL SPK CHOCK	ML08010030
					L701		4822 157 70022	AIR COIL SPK CHOCK	ML08010030
					L702		4822 157 70022	AIR COIL SPK CHOCK	ML08010030
					▲ S701			CIRCUIT BREAKER TEMP-SW 120DEG. OHD3-120B	FR31200020
					▲ S702			CIRCUIT BREAKER TEMP-SW 120DEG. OHD3-120B	FR31200020

POS. NO	VERS. COLOR	PART NO. (FOR PCS)	DESCRIPTION	PART NO. (MJI)	POS. NO	VERS. COLOR	PART NO. (FOR PCS)	DESCRIPTION	PART NO. (MJI)
			P754-2CH POWER-AMP. CIRCUIT BOARD		▲ RP53				
CN01		4822 122 40617	CER. 0.1μF +80%-20% 50V	DD38104010	∩		4822 052 10101	100Ω ±5% 1/6W	GG05101160
CN02		4822 124 41539	ELECT. 47μF M 16V RA-2	OA47601620	▲ RP56				
CN03		4822 124 41539	ELECT. 47μF M 16V RA-2	OA47601620	RP57			JUMPER	75060501P0
CN04		4822 122 40617	CER. 0.1μF +80%-20% 50V	DD38104010	∩				
CN05		4822 124 90354	ELECT. 100μF 16V	OA10701620	▲ RP60				
CN06		4822 124 90354	ELECT. 100μF 16V	OA10701620	▲ RP61		4822 052 10102	1kΩ ±5% 1/6W	GG05102160
CN07		4822 124 41543	ELECT. 1μF 50V	OA10505020	▲ RP62		4822 052 10102	1kΩ ±5% 1/6W	GG05102160
CN08		4822 122 40617	CER. 0.1μF +80%-20% 50V	DD38104010	▲ RP63				
CN09		4822 124 90353	ELECT. 100μF 10V	OA10701020	∩		4822 052 10229	22Ω ±5% 1/6W	GG05220160
CN10		4822 124 90362	ELECT. 22μF 50V	OA22605020	▲ RP66				
CN11		4822 124 22571	ELECT. 10μF 50V	OA10605020	▲ RP67		4822 116 60319	FUSIBLE 220Ω ±5% 1/2W	NH05221120
CN12		4822 124 41539	ELECT. 47μF 16V	OA47601620	▲ RP68		4822 116 60319	FUSIBLE 220Ω ±5% 1/2W	NH05221120
CN13		4822 124 90354	ELECT. 100μF 16V	OA10701620	RP69			JUMPER	75060501P0
CN14		4822 124 90354	ELECT. 100μF M 16V RA-2	OA10701620	∩				
CN15		4822 122 40617	CER. 0.1μF +80 -20%	DD38104010	▲ RP72				
CN16		4822 124 41544	ELECT. 470μF M 6.3V RA-2	OA47700620	▲ RP73			0.10Ω ±10% 5W X2 RGC55 W	BZ10102020
CN17			ELECT 47μF M 16V BI-POLE	EA47601630	▲ RP74			0.10Ω ±10% 5W X2 RGC55 W	BZ10102020
CP01		4822 124 22275	ELECT. 47μF 10V	OA47601020	▲ RP75		4822 052 10102	1kΩ ±5% 1/6W	GG05102160
CP02		4822 124 22275	ELECT. 47μF 10V	OA47601020	▲ RP76		4822 052 10102	1kΩ ±5% 1/6W	GG05102160
CP03					▲ RP77		4822 050 22202	2.2kΩ ±5% 1/6W	GG05222160
∩			FILM 470pF ±5% 100V	OF15471540	▲ RP78		4822 050 22202	2.2kΩ ±5% 1/6W	GG05222160
CP06					▲ RP83		4822 116 83929	220Ω ±5% 1/4W	GG05221140
CP07		4822 124 41544	ELECT. 470μF M 6.3V RA-2	OA47700620	▲ RP84		4822 116 83929	220Ω ±5% 1/4W	GG05221140
CP08		4822 124 41544	ELECT. 470μF M 6.3V RA-2	OA47700620	▲ RP85		4822 053 10109	10Ω ± 5% 1W	GA05100010
CP11					▲ RP86		4822 053 10109	10Ω ± 5% 1W	GA05100010
∩			ELECT. 220μF M 100V RA-2	OA22710020	▲ R881		4822 050 21021	100Ω ±5% 1/4W	GG05101140
CP14									
CP15		4822 124 11533	ELECT. 1μF M 100V RA2	OA10510020				P754-RESISTORS (COMMON)	
CP16		4822 124 11533	ELECT. 1μF M 100V RA2	OA10510020	R***			CARBON FILM FIXED RES.	
CP17		4822 123 30088	MICA 10pF ±0.5pF	DF31100520				±5% 1/6W : RN01-RN03	
CP18		4822 123 30088	MICA 10pF ±0.5pF	DF31100520				RN05-RN07 RN09-RN15	
CP19			ELECT 4.7μF M 100V	EA47510010				RN17-RN43 RN48 RN49	
CP20			ELECT 4.7μF M 100V	EA47510010				RP01-RP06 RP11-RP14	
CP27								RP17-RP24 RP37-RP42	
∩		4822 121 70544	FILM 120pF ±5% 100V APSV	OF15121540				RP45-RP48 RP89-RP82 RP89	
CP30								RP90	
C861		4822 124 90354	ELECT. 100μF 16V	OA10701620				P754-SEMICONDUCTORS	
C862		4822 122 30043	CER. 0.01μF +80%-20% 50V	DK18103310	DN01		4822 130 32362	DIODE 1SS176 MA165 1SS254	HD20002000
C871		4822 124 90354	ELECT. 100μF 16V	OA10701620	DN02		4822 130 32362	DIODE 1SS176 MA165 1SS254	HD20002000
C872		4822 122 30043	CER. 0.01μF +80%-20% 50V	DK18103310	DN03		4822 130 82421	DIODE 1D3	HD20002710
C881		4822 124 90354	ELECT. 100μF 16V	OA10701620	DN04		4822 130 82421	DIODE 1D3	HD20002710
C882		4822 126 10935	ELECT 100μF M 6.3V	EJ10700610	DN05				
			P754-CAPACITORS (COMMON)		∩		4822 130 32362	DIODE 1SS176 MA165 1SS254	HD20002000
			PLASTIC FILM CAPACITOR		DN07			0V 0.1A	
			±5% 50V : CP21-CP26		DN09		4822 130 43564	VARISTOR	HP00004230
								PTH9M04BE222TS2F333	
			P754-RESISTORS		DN10		4822 130 80837	DIODE HSS81	HD20027010
▲ RN04		4822 050 21503	15kΩ ± 5% 1/2W	GG05153120	DP01				
▲ RN08		4822 050 23303	33kΩ ± 5% 1/4W	GG05333140	∩		4822 130 32362	DIODE 1SS176 MA165 1SS254	HD20002000
▲ RN16		4822 052 10109	10Ω ±5% 1/6W	GG05100160				30V 0.1A	
▲ RN44		4822 053 10221	220Ω ±5% 1W	GA05221010	DP04				
▲ RN45		4822 053 10331	330Ω ± 5% 1W	GA05331010	DP05			JUMPER	75060501P0
▲ RN46		4822 053 10331	330Ω ± 5% 1W	GA05331010	∩				
▲ RP07					DP12				
∩					DP13				
▲ RP10			1.5kΩ ±5% 1/6W	GG05152160	∩		4822 130 80837	DIODE HSS81	HD20027010
RP15		4822 100 20672	TRIM. 100kΩ	RA01040760	DP16				
RP16		4822 100 20672	TRIM. 100kΩ	RA01040760	DP17				
▲ RP25					∩		4822 130 80317	ZENER DIODE NTJ5.1B 5.1V	HD30511000
∩		4822 052 10569	56Ω ±5% 1/6W	GG05560160	DP20				
▲ RP36					DP21		4822 130 80837	DIODE HSS81	HD20027010
RP43		4822 101 30707	TRIM. 2.2kΩ	RA02220760	DP22		4822 130 80837	DIODE HSS81	HD20027010
RP44		4822 101 30707	TRIM. 2.2kΩ	RA02220760	D861		4822 130 82421	DIODE 1D3	HD20002710
▲ RP49					D871		4822 130 82421	DIODE 1D3	HD20002710
∩		4822 052 10109	10Ω ±5% 1/4W	GG05100140	D881		4822 130 82421	DIODE 1D3	HD20002710
▲ RP52					D882		4822 130 80132	ZENER DIODE NTJ3.9A 3.9V	HD30391000

POS. NO	VERS. COLOR	PART NO. (FOR PCS)	DESCRIPTION	PART NO. (MJI)	POS. NO	VERS. COLOR	PART NO. (FOR PCS)	DESCRIPTION	PART NO. (MJI)
▲ K764			TRS. KIT 2SA1360 2SC3423 PAIR O Y	HK136019C0				P774-PO-AMP.TR-BLOCK 3CH CIRCUIT BOARD	
▲ K765			TRS. KIT 2SA1360 2SC3423 PAIR O Y	HK136019C0	D799		4822 130 43564	P774-SEMICONDUCTORS VARISTOR PTH9M04BE222TS2F333	HP00004230
▲ K769			TRS. KIT A1837 C4793 HFE MJI RANK	HK183719C0	QT15		4822 130 60117	TRS. 2SC3419 Y	HT334191Y0
▲ K770			TRS. KIT A1837 C4793 HFE MJI RANK	HK183719C0	▲ QT25			TRS. 2SC2922 O Y	HT329222A0
▲ K774		4822 130 11394	TRS. KIT 2SA1216 2SC2922 O Y PAIR	HK121619F0	▲ QT27			TRS. 2SA1216 O Y	HT112162A0
▲ K775		4822 130 11394	TRS. KIT 2SA1216 2SC2922 O Y PAIR	HK121619F0	Q715		4822 130 60117	TRS. 2SC3419 Y	HT334191Y0
QN01		4822 209 83312	IC TA7317P	HC10042050	Q716		4822 130 60117	TRS. 2SC3419 Y	HT334191Y0
QN02		4822 130 42594	DIG.TRS. DTC144ES UN4213 47k 47k	BA20002000	▲ Q725			TRS. 2SC2922 O Y	HT329222A0
QN03		4822 130 42949	TRS. 2SA970	HT109702A0	▲ Q726			TRS. 2SC2922 O Y	HT329222A0
QN04		4822 130 60526	TRS. 2SD1508 HFE>4000	HT415080A0	▲ Q727			TRS. 2SA1216 O Y	HT112162A0
QN05		4822 130 42594	DIG.TRS. DTC144ES UN4213 47k 47k	BA20002000	▲ Q728			TRS. 2SA1216 O Y	HT112162A0
QN06		4822 130 60696	TRS. 2SC1627 O Y	HT316272B0				P804-POWER SUPPLY +/-15V CIRCUIT BOARD	
▲ QN07			IC PQ30RV11	HC36930320				P804-CAPACITORS	
QN08					C801		4822 122 30043	CER. 0.01μF +80%-20% 50V	DK18103310
QN10		4822 130 41947	TRS. 2SC2458 2SC1740S 2SC3199 ETC.	HT30001000	C802		4822 122 30043	CER. 0.01μF +80%-20% 50V	DK18103310
QN11		4822 130 43233	TRS. 2SC2240	HT322402A0	C803		4822 124 81133	ELECT. 4700μF 25V	OA47802520
QN12		4822 130 43233	TRS. 2SC2240	HT322402A0	C804		4822 122 30043	CER. 0.01μF +80%-20% 50V	DK18103310
QN13		4822 130 41947	TRS. 2SC536SP ETC	HT30001000	C805		4822 124 22571	ELECT. 10μF M 50V RA-2	OA10605020
QN14		4822 130 42715	TRS. 2SA608SP ETC	HT10001000	C806		4822 122 30043	CER. 0.01μF +80%-20% 50V	DK18103310
QP01					C807		4822 124 81133	ELECT. 4700μF 25V	OA47802520
QP04		4822 130 42949	TRS. 2SA970	HT109702A0	C808		4822 122 30043	CER. 0.01μF +80%-20% 50V	DK18103310
QP05		4822 130 42999	TRS. 2SA1145 O Y	HT111452A0	C817		4822 124 22571	ELECT. 10μF M 50V	OA10605020
QP06		4822 130 42999	TRS. 2SA1145 O Y	HT111452A0	C818		4822 122 30043	CER. 0.01μF +80%-20% 50V	DK18103310
QP07					R801			P804-RESISTORS	
QP10		4822 130 43283	TRS. 2SC2705 O Y	HT327052A0	R802			JUMPER	75060501P0
▲ QP11		5322 130 61728	TRS. 2SA1360 O Y	HT113602A0				JUMPER	75060501P0
▲ QP12		5322 130 61728	TRS. 2SA1360 O Y	HT113602A0	R***			P804-RESISTORS (COMMON)	
▲ QP13		5322 130 61737	TRS. 2SC3423 O Y	HT334232A0				CARBON FILM FIXED RES.	
▲ QP14		5322 130 61737	TRS. 2SC3423 O Y	HT334232A0	▲ D801		4822 130 83067	±5% 1/6W : R813 R851-R854	
QP15		4822 130 60117	TRS. 2SC3419 Y	HT334191Y0	D802		4822 130 82421	P804-SEMICONDUCTORS	
QP16		4822 130 60117	TRS. 2SC3419 Y	HT334191Y0	D807		4822 130 82421	DIODE D3SB 20 V=200V IO=3.0A	HE20020290
QP17		4822 130 43283	TRS. 2SC2705 O Y	HT327052A0				DIODE 1D3 1A 200V	HD20002710
QP18		4822 130 43283	TRS. 2SC2705 O Y	HT327052A0				DIODE 1D3 1A 200V	HD20002710
QP19		4822 130 42999	TRS. 2SA1145 O Y	HT111452A0	▲ Q801		4822 209 60826	IC NJM7812FA +12V 1A	HC38912090
QP20		4822 130 42999	TRS. 2SA1145 O Y	HT111452A0	▲ Q806			TRS. 2SD1415	HT41415100
▲ QP21		4822 130 63635	TRS. 2SC4793 O Y	HT347932A0				P804-MISCELLANEOUS	
▲ QP22		4822 130 63635	TRS. 2SC4793 O Y	HT347932A0	▲ F801	K KS	4822 117 10158	RES. 1Ω ± 5% 1/4W	GG05010140
▲ QP23		4822 130 63634	TRS. 2SA1837 O Y	HT118372A0	▲ F802	U		FUSE T2A 250V TR5 NO.19374	FS20200210
▲ QP24		4822 130 63634	TRS. 2SA1837 O Y	HT118372A0	▲ F801	K KS	4822 117 10158	RES. 1Ω ± 5% 1/4W	GG05010140
▲ QP25			TRS. 2SC2922 O Y	HT329222A0	▲ F802	U		FUSE T2A 250V TR5 NO 19374	FS20200210
▲ QP26			TRS. 2SC2922 O Y	HT329222A0				P854-MAIN+B CIRCUIT BOARD	
▲ QP27			TRS. 2SA1216 O Y	HT112162A0				P854-CAPACITORS	
▲ QP28			TRS. 2SA1216 O Y	HT112162A0	C851		4822 126 12453	CER. 0.01μF +80%-20% E 500	DK18103560
QP29		4822 130 43233	TRS. 2SC2240	HT322402A0	C852		4822 126 12453	CER. 0.01μF +80%-20% E 500	DK18103560
QP30		4822 130 43233	TRS. 2SC2240	HT322402A0	▲ C853			ELECT 56000μF 71V X2	EI56907110
▲ Q861		4822 209 31631	IC NJM7805FA +5V	HC38905090	C854		4822 126 12453	CER. 0.01μF +80%-20% E 500	DK18103560
▲ Q871		4822 209 31631	IC NJM7805FA +5V	HC38905090	C857		4822 124 90357	ELECT. 2.2μF M 50V RA-2	OA22505020
▲ Q881		4822 130 63635	TRS. 2SC4793 O Y	HT347932A0				P854-RESISTORS (COMMON)	
LN01			P754-MISCELLANEOUS		R***			CARBON FILM FIXED RES.	
LP01		4822 157 70022	RELAY MR62-12SR	LY20120510				±5% 1/6W :	
LP02		4822 157 70022	AIR COIL SPK CHOCK	ML08010030				P854-SEMICONDUCTORS	
▲ MN51			AIR COIL SPK CHOCK	ML08010030	▲ D851			DIODE D25XB60	HE20029290
			D.C MOTOR FBA08A12H0	MM01200320	D853		4822 130 82421	DIODE 1D3	HD20002710
			DC FAN 12V		D854		4822 130 82421	DIODE 1D3	HD20002710
▲ ZN51			UNIT KIT DC FAN MOTOR	ZK300J0020					
			UNIT W 3P WIRE						

POS. NO	VERS. COLOR	PART NO. (FOR PCS)	DESCRIPTION	PART NO. (MJI)	POS. NO	VERS. COLOR	PART NO. (FOR PCS)	DESCRIPTION	PART NO. (MJI)
			PB04-PRIMARYCIRCUIT BOARD [F U] VERSION						
			PB04-CAPACITORS						
CB01	U	4822 122 33276	CER. 0.01 μ F \pm 20% DE7150 F	DK17103840	LB52	K KS	4822 280 80773	RELAY VS24MB-NR	LY10240240
CB02	U	4822 124 90353	ELECT. 100 μ F M 10V RA-2	OA10701020	LB53	K KS	4822 280 80773	TV-8 SEMKO LISTED	LY10240240
CB03	U	4822 122 33276	CER. 0.01 μ F \pm 20% DE7150 F	DK17103840					
			PB04-RESISTORS						
RB01	U		2.2M Ω \pm 10% 1/2W FOR UL	RC10225820	CB71		4822 122 33276	CER. 0.01 μ F \pm 20% DE7150 F	DK17103840
▲ RB02	U		ROTOR 2.2 Ω 7W	NQ15022070	▲ SB71			PUSH SWITCH SDDL1	SP01012460
			TEMP. FUSE					POWER TV-5	
▲ RB05	U		ROTOR 2.2 Ω 7W	NQ15022070					
			TEMP. FUSE						
			PB04-RESISTORS (COMMON)						
			CARBON FILM FIXED RES.						
			\pm 5% 1/6W : RB03[U] RB04[U]						
			PB04-SEMICONDUCTORS						
DB01	U	4822 130 82421	DIODE 1D3 1A 200V	HD20002710	CL01		4822 124 22571	ELECT. 10 μ F M 50V RA-2	OA10605020
DB02	U	4822 130 82421	DIODE 1D3 1A 200V	HD20002710	CL02		4822 124 22571	ELECT. 10 μ F M 50V RA-2	OA10605020
					CL03		4822 124 22571	ELECT. 10 μ F M 50V RA-2	OA10605020
					CL04			JUMPER	75060501P0
					CL05		4822 124 22571	ELECT. 10 μ F M 50V RA-2	OA10605020
					CL07		4822 124 22571	ELECT. 10 μ F M 50V RA-2	OA10605020
					CL08		4822 124 22571	ELECT. 10 μ F M 50V RA-2	OA10605020
					CL09		4822 124 22571	ELECT. 10 μ F M 50V RA-2	OA10605020
QB01	U	4822 130 42682	DIG.TR.S. DTA144ES UN4113	BA10002000	CL10			JUMPER	75060501P0
			47K 47K		CL11				
QB02	U	4822 130 61666	TRS. C3419 O Y 40V 0.8A	HT334192A0	CL23		4822 124 22571	ELECT. 10 μ F M 50V RA-2	OA10605020
			PC=1.2W 5W		CL24		4822 124 41544	ELECT. 470 μ F M 6.3V RA-2	OA47700620
					CL25				
					CL26				
▲ FB01	U		PB04-MISCELLANEOUS		CL26				
			FUSE 12A 250V	FS11200440	CL31		4822 124 22571	ELECT. 10 μ F M 50V RA-2	OA10605020
▲ FB02	U		UL CSA MITI NO.314		CL32		4822 124 41544	ELECT. 470 μ F M 6.3V RA-2	OA47700620
			FUSE 630MA 250V	FS10063360	CL33		4822 124 41544	ELECT. 470 μ F M 6.3V RA-2	OA47700620
			UL CSA FBM		CL34		4822 122 30043	CER. 0.01 μ F +80%-20% 50V	DK18103310
JB03	U		JACK 2P AC OUTLET	YJ04002040	CL35		4822 124 41537	ELECT. 220 UV M 6.3V RA-2	OA22700620
			CCT1304-0212		CL36		4822 122 30043	CER. 0.01 μ F +80%-20% 50V	DK18103310
LB02	U	4822 280 80773	RELAY VS24MB-NR	LY10240240	CL37		4822 124 90353	ELECT. 100 μ F M 10V RA-2	OA10701020
			TV-8 SEMKO LISTED		CL38		4822 122 30043	CER. 0.01 μ F +80%-20% 50V	DK18103310
LB03	U	4822 280 80773	RELAY VS24MB-NR	LY10240240	CL39		4822 122 30043	CER. 0.01 μ F +80%-20% 50V	DK18103310
			TV-8 SEMKO LISTED		CL40		4822 122 30043	CER. 0.01 μ F +80%-20% 50V	DK18103310
					CL41		4822 124 90353	ELECT. 100 μ F M 10V RA-2	OA10701020
					CL42		4822 122 30043	CER. 0.01 μ F +80%-20% 50V	DK18103310
					CL43		4822 124 41537	ELECT. 220 μ F M 6.3V RA-2	OA22700620
CB51	K KS	4822 122 33276	CER. 0.01 μ F \pm 20% DE7150 F	DK17103840	CL44		4822 122 40617	CER. 0.1 μ F \pm 5%	DD38104010
CB52	K KS	4822 124 90353	ELECT. 100 μ F M 10V RA-2	OA10701020	CL46	K KS	4822 126 10362	CER. 22pF \pm 5%	DA15220110
CB53	K KS	4822 122 33276	CER. 0.01 μ F \pm 20% DE7150 F	DK17103840	CL47	K KS	4822 126 11553	CER. 15pF \pm 5%	DA15150120
			SPARK KILLER		CL48	U	4822 122 33792	CER. 10pF \pm 5%	DA15100120
					CL49		4822 126 11591	CER. 24pF \pm 5% CH 50V BLK	DD15240300
					CL50		4822 126 10362	CER. 22pF \pm 5%	DA15220110
					CL52		4822 124 41543	ELECT. 1 μ F M 50V RA-2	OA10505020
					CL53		4822 122 40617	CER. 0.1 μ F +80%-20% 50V	DD38104010
					CL54		4822 124 41537	ELECT. 220 μ F M 6.3V RA-2	OA22700620
					CL55		4822 124 41543	ELECT. 1 μ F M 50V RA-2	OA10505020
					CL56		4822 124 22571	ELECT. 10 μ F M 50V RA-2	OA10605020
					CL57		4822 124 22571	ELECT. 10 μ F M 50V RA-2	OA10605020
					CL58		4822 124 22571	ELECT. 10 μ F M 50V RA-2	OA10605020
					CL59		4822 124 41544	ELECT. 470 μ F M 6.3V RA-2	OA47700620
					CL60		4822 124 22571	ELECT. 10 μ F M 50V RA-2	OA10605020
					CL61		4822 124 90353	ELECT. 100 μ F M 10V RA-2	OA10701020
					CL62		4822 122 30043	CER. 0.01 μ F +80%-20% 50V	DK18103310
					CL63		4822 122 30043	CER. 0.01 μ F +80%-20% 50V	DK18103310
					CL64		4822 124 41537	ELECT. 220 μ F M 6.3V RA-2	OA22700620
					CL65		4822 122 40617	CER. 0.1 μ F +80%-20% 50V	DD38104010
					CL66			JUMPER	75060501P0
					CL67	UBL	4822 126 10362	CER. 22pF \pm 5% \pm 5%	DA15220110
					CL67	UGL	4822 126 10362	CER. 22pF \pm 5% \pm 6%	DA15220110
					CL68		4822 124 41543	ELECT. 1 μ F M 50V RA-2	OA10505020
▲ FB51	K KS	4822 070 36302	FUSE T6.3A 250V BS LISTED	FS10630850	CL69		4822 124 22571	ELECT. 10 μ F M 50V RA-2	OA10605020
▲ FB52	K KS	4822 070 32001	FUSE T200mA 250V	FS10020850	CL70		4822 122 30043	CER. 0.01 μ F +80%-20% 50V	DK18103310
			BS LISTED						

POS. NO	VERS. COLOR	PART NO. (FOR PCS)	DESCRIPTION	PART NO. (MJI)	POS. NO	VERS. COLOR	PART NO. (FOR PCS)	DESCRIPTION	PART NO. (MJI)
CL71 }			JUMPER	75060501P0	QL17		4822 130 60588	DIG.TRS. DTC114ES UN4211 10K 10K	BA20001000
CL74					QL18			IC TC74HC132AP	HC713205D0
CL75		4822 124 22571	ELECT. 10μF M 50V RA-2	OA10605020	QL19		4822 130 60588	DIG.TRS. DTC114ES UN4211 10K 10K	BA20001000
CL79		4822 124 41543	ELECT. 1μF M 50V RA-2	OA10505020					
CL80		4822 122 30043	CER. 0.01μF +80%-20% 50V	DK18103310	QV51		4822 130 61227	DIG.TRS. DTA114ES UN4111 10K 10K	BA10001000
CL81		4822 124 22571	ELECT. 10μF M 50V RA-2	OA10605020	QV52		4822 130 63634	TRS. 2SA1837 Q Y	HT118372A0
CL82		4822 124 22571	ELECT. 10μF M 50V RA-2	OA10605020					
CL83		4822 124 22571	ELECT. 10μF M 50V RA-2	OA10605020					
CL84		4822 125 50384	TRIM. 20pF	CT12000200					
CL86		4822 124 22571	ELECT. 10μF M 50V RA-2	OA10605020					
CX84		4822 124 22277	ELECT. 470μF M 16V	OA47701620					
C***			PL04-CAPACITORS (COMMON) HIGH DIELECTRIC CONSTANT CER. CAPACITOR ±10% 50V : CL51 CL76-CL78 CL87-CL97[KS]		JL01 }		4822 265 31299	TERMINAL 3P RCA PIN YELLOW X 3 AU	YT02030340
C***			PLASTIC FILM CAPACITOR ±5% 50V :		JL03 JL04 JL05		4822 265 10729 4822 290 81598	TERMINAL YKC21-3740 TERMINAL 2P RCA JACK YKC21-3255 GOLD	YT02080130 YT02021130
RL01		4822 111 41355	75Ω ± 5% 1/6W	GD05750160	JL06 LL01 LL02 LL03 }		4822 290 81638 4822 157 62922 4822 242 73843	TERMINAL 14X14 RA 1L1P BLK CHOKO COIL CHOKO 33μH J EMI FILTER DSS306-91-F-223Z	YT02010790 LC13333800 FM12223010
RL03		4822 111 41355	75Ω ± 5% 1/6W	GD05750160	LL08 LV01		4822 280 20501	JUMPER	75060501P0
RL05		4822 111 41355	75Ω ± 5% 1/6W	GD05750160	LV02 LV03		4822 280 20501 4822 280 20501	RELAY MR62-24SR 24V RELAY MR62-24SR 24V RELAY MR62-24SR 24V	LY20240410 LY20240410 LY20240410
RL07		4822 111 41355	75Ω ± 5% 1/6W	GD05750160	XL01	K KS	4822 242 73903	CRYSTAL AT49 17.7MHz	JX17001260
RL09		4822 111 41355	75Ω ± 5% 1/6W	GD05750160	XL02		4822 242 80288	CRYSTAL AT49 14.31818MHz	JX14001260
▲RV51		4822 050 21021	100Ω ± 5% 1/2W	GG05101120					
F***			PL04-RESISTORS (COMMON) CARBON FILM FIXED RES. ±5% 1/6W : RL02 RL04 RL06 RL08 RL10-RL15 RL18-RL26 RL28-RL43 RV52 RV53		CL75 CL76 CL77 CL78 CL79 }	KS	4822 126 11568 4822 126 11568 4822 122 33777 4822 122 33777	PL74-AUX INPUT CIRCUIT BOARD PL74-CAPACITORS CER. 470pF ±10% CHIP CER. 470pF ±10% CHIP CER. 47pF ±5% CHIP CER. 47pF ±5% CHIP	DK96471300 DK96471300 DD95470300 DD95470300
DL07		4822 130 32362	DIODE 1SS176 MA165 1SS254 30V 0.1A	HD20002000	CL79 }		4822 124 22571	ELECT. 10μF M 50V RA-2	OA10605020
DV01		4822 130 82421	DIODE 1D3	HD20002710	CL82				
DV02		4822 130 82421	DIODE 1D3	HD20002710	CL83		4822 124 23112	ELECT 10μF 16V	EQ10601630
DV03		4822 130 82421	DIODE 1D3	HD20002710	CL84		4822 111 41305	RES. 0Ω	GD05000140
DV51		4822 130 82421	DIODE 1D3	HD20002710	CL88		4822 111 41305	RES. 0Ω	GD05000140
DV52		4822 130 82421	DIODE 1D3	HD20002710	CL89		4822 126 11687	CER. 0.1μF +80%-20% CHIP	DK98104200
DV53		4822 130 32362	DIODE 1SS176 MA165 1SS254 30V 0.1A	HD20002000	CL90		4822 126 11687	CER. 0.1μF +80%-20% CHIP	DK98104200
QL01			IC MM1140XF	HC10083550	CL91 }		4822 111 41305	RES. 0Ω	GD05000140
QL02			IC BA7612N	HC10201210	CL98				
QL03			IC BA7649A G-1 VIDEO SW	HC10179210	RL75		4822 051 30102	CHIP 1kΩ ± 5% 1/16W	NN05102610
QL04			IC BA7613N	HC10202210	RL76		4822 051 30102	CHIP 1kΩ ± 5% 1/16W	NN05102610
QL05			IC BA7649A G-1 VIDEO SW	HC10179210	RL77		4822 051 30473	CHIP 47kΩ ± 5% 1/16W	NN05473610
QL06			IC BA7613N	HC10202210	RL78		4822 051 30473	CHIP 47kΩ ± 5% 1/16W	NN05473610
QL07		4822 209 16846	IC NJU3718L	HC10171090	RL79 }		4822 116 82487	CHIP 0Ω ± 5% 1/16W	NN05000610
QL08			IC NJM2244 3IN SW 75Ω DRIVER	HC10119090	RL82				
QL09			IC OSD HzLC74781	HC10377030	RL83		4822 051 30473	CHIP 47kΩ ± 5% 1/16W	NN05473610
QL10	K KS	4822 130 61227	DIG.TRS. DTA114ES UN4111 10K 10K	BA10001000	RL84		4822 051 30473	CHIP 47kΩ ± 5% 1/16W	NN05473610
QL11	K KS	4822 130 61189	DIG.TRS. DTC114TS UN4215 10K	BA20004000	RL85		4822 051 30759	CHIP 75Ω ± 5% 1/16W	NN05750610
QL12	K KS	4822 130 61189	DIG.TRS. DTC114TS UN4215 10K	BA20004000	RL86		4822 051 30759	CHIP 75Ω ± 5% 1/16W	NN05750610
QL14			IC NJM2244 3IN SW 75Ω DRIVER	HC10119090	RL88		4822 051 30759	CHIP 75Ω ± 5% 1/16W	NN05750610
QL15		4822 130 60588	DIG.TRS. DTC114ES UN4211 10K 10K	BA20001000	QL75		4822 209 71451	PL4-SEMICONDUCTOR IC NJM4558M Y	HC10011090
QL16		4822 130 41947	TRS. 2SC2458 2SC1740S 2SC3199 ETC.	HT30001000	JL75			PL74-MISCELLANEOU TERMINAL RCA JACK 3P & S-TERMINAL AUX	BY04040030

POS. NO	VERS. COLOR	PART NO. (FOR PCS)	DESCRIPTION	PART NO. (MJI)	POS. NO	VERS. COLOR	PART NO. (FOR PCS)	DESCRIPTION	PART NO. (MJI)
			PM01-HDAM CIRCUIT BOARD		CQ10	KS	4822 122 31205	CER. 47pF ±5% CH 50V BLK	DD15470300
			PM01-RESISTOR		CS01		4822 124 41539	ELECT. 47µF M 16V RA-2	OA47601620
RM09		4822 100 20681	TRIM. 2.2kΩ	RA02220780	CS14				
			PM01-RESISTORS (COMMON)		CS15		4822 124 22571	ELECT. 10µF M 16V RA-2	OA10605020
R***			CARBON FILM FIXED RES. ±5% 1/6W : RM01-RM08		CS16		4822 124 22571	ELECT. 10µF M 16V RA-2	OA10605020
			PM01-SEMICONDUCTORS		CS17		4822 124 90358	ELECT. 22µF M 16V RA-2	OA22601620
DM01		4822 130 32362	DIODE 1SS176 MA165 1SS254 30V 0.1A	HD20002000	CS18		4822 124 90358	ELECT. 22µF M 16V RA-2	OA22601620
DM05		4822 130 42839	F.E.T. 2SK369BL	HF203691B0	CS19		4822 122 30043	CER. 0.01µF +80%-20% 50V	DK18103310
QM01		4822 130 42839	F.E.T. 2SK369BL	HF203691B0	CS22				
QM02		4822 130 42839	F.E.T. 2SK369BL	HF203691B0	CS23		4822 124 90354	ELECT. 100µF M 16V RA-2	OA10701620
QM03		4822 130 43233	TRS. 2SC2240	HT322402A0	CS24		4822 124 90354	ELECT. 100µF M 16V RA-2	OA10701620
QM04		4822 130 42949	TRS. 2SA970	HT109702A0	CS25		4822 124 22274	ELECT. 4.7µF M 50V RA-2	OA47505020
QM05		4822 130 42949	TRS. 2SA970	HT109702A0	CS30				
QM06		4822 130 43233	TRS. 2SC2240	HT322402A0	CS31		4822 124 41539	ELECT. 47µF M 16V RA-2	OA47601620
			PM04- HDAM CIRCUIT BOARD		CS32		4822 124 41539	ELECT. 47µF M 16V RA-2	OA47601620
			PM04-CAPACITORS		CS33		4822 124 22274	ELECT. 4.7µF M 50V RA-2	OA47505020
CM21		4822 124 90358	ELECT. 22µF M 16V	OA22601620	CS34		4822 124 22274	ELECT. 4.7µF M 50V RA-2	OA47505020
CM22		4822 124 90358	ELECT. 22µF M 16V	OA22601620	CS35		4822 124 41539	ELECT. 47µF M 16V RA-2	OA47601620
CM23		4822 122 30043	CER. 0.01µF +80%-20% 50V	DK18103310	CS36		4822 124 41539	ELECT. 47µF M 16V RA-2	OA47601620
CM24		4822 122 30043	CER. 0.01µF +80%-20% 50V	DK18103310	CS55	KS	4822 122 31205	CER. 47pF ±5% CH 50V BLK	DD15470300
CM25		4822 121 42708	FILM 330pF 100V ECQ-P	DF15331550	CS56	KS	4822 122 31205	CER. 47pF ±5% CH 50V BLK	DD15470300
CM26		4822 121 42708	FILM 330pF 100V ECQ-P	DF15331550	CS57		4822 124 90354	ELECT. 100µF M 16V RA-2	OA10701620
CM27		4822 121 42712	FILM 100pF 100V	DF15101550	CS58		4822 124 90354	ELECT. 100µF M 16V RA-2	OA10701620
CM28		4822 121 42712	FILM 100pF 100V	DF15101550	CS59	KS	4822 122 31205	CER. 47pF ±5% CH 50V BLK	DD15470300
CM29		4822 124 22571	ELECT. 10µF M 50V RA-2	OA10605020	CS62	KS	4822 122 31205	CER. 47pF ±5% CH 50V BLK	DD15470300
CM30		4822 124 22571	ELECT. 10µF M 50V RA-2	OA10605020	CS63		4822 122 30043	CER. 0.01µF +80%-20% 50V	DK18103310
CM31		4822 124 90354	ELECT. 100µF M 16V RA-2	OA10701620	CS64		4822 122 30043	CER. 0.01µF +80%-20% 50V	DK18103310
CM32		4822 124 90354	ELECT. 100µF M 16V RA-2	OA10701620	CS65	KS	4822 122 31205	CER. 47pF ±5% CH 50V BLK	DD15470300
			PM04-RESISTORS (COMMON)		CS70	KS			
R***			CARBON FILM FIXED RES. ±5% 1/6W : RN21-RMRM24 RM27-RM40		CS73	KS	4822 122 31205	CER. 47pF ±5% CH 50V BLK	DD15470300
			PM04-SEMICONDUCTORS		CS76	KS			
DM21		4822 130 32362	DIODE 1SS176 MA165 1SS254 30V 0.1A	HD20002000	CS79	KS	4822 122 31205	CER. 47pF ±5% CH 50V BLK	DD15470300
DM22		4822 130 32362	DIODE 1SS176 MA165 1SS254 30V 0.1A	HD20002000	CS80	KS	4822 122 31205	CER. 47pF ±5% CH 50V BLK	DD15470300
QM21		4822 130 42949	TRS. 2SA970	HT109702A0	CS81			JUMPER	75060501P0
QM22		4822 130 42949	TRS. 2SA970	HT109702A0	CS82			JUMPER	75060501P0
QM23		4822 130 43233	TRS. 2SC2240	HT322402A0	CS83			JUMPER	75060501P0
QM24		4822 130 43233	TRS. 2SC2240	HT322402A0	CS84		4822 122 40617	CER. 0.1µF +80 -20%	DD38104010
QM25		4822 130 43283	TRS. 2SC2705 O Y	HT327052A0	CS85		4822 122 40617	CER. 0.1µF +80 -20%	DD38104010
QM26		4822 130 43283	TRS. 2SC2705 O Y	HT327052A0	CS86		4822 124 90354	ELECT. 100µF M 16V RA-2	OA10701620
QM27		4822 130 42999	TRS. 2SA1145 O Y	HT111452A0	CS87		4822 124 90354	ELECT. 100µF M 16V RA-2	OA10701620
QM28		4822 130 42999	TRS. 2SA1145 O Y	HT111452A0	CS88		4822 122 40617	CER. 0.1µF +80 -20%	DD38104010
QM29			UNIT & H-IC NEW HDAM	KH269J1010	CS89		4822 124 22274	ELECT. 4.7µF M 50V RA-2	OA47505020
QM30			UNIT & H-IC NEW HDAM	KH269J1010	CS90		4822 124 22274	ELECT. 4.7µF M 50V RA-2	OA47505020
			PS04-A-FUNC/PRE SUPPLY CIRCUIT BOARD KIT		CS93	KS	4822 122 31205	CER. 47pF ±5% CH 50V BLK	DD15470300
			PS04-CAPACITORS		CS94	KS	4822 122 31205	CER. 47pF ±5% CH 50V BLK	DD15470300
CG01		4822 124 22274	ELECT. 4.7µF M 50V RA-2	OA47505020	CS97		4822 122 30043	CER. 0.01µF +80%-20% 50V	DK18103310
CG06		4822 124 22277	ELECT. 470µF M 16V	OA47701620	CS98		4822 122 30043	CER. 0.01µF +80%-20% 50V	DK18103310
CG09			JUMPER	75060501P0	CS99		4822 122 40617	CER. 0.1µF +80%-20% 50V	DD38104010
CQ01			JUMPER	75060501P0	C809		4822 124 22571	ELECT. 10µF M 50V RA-2	OA10605020
CQ02			JUMPER	75060501P0	C810		4822 122 30043	CER. 0.01µF +80%-20% 50V	DK18103310
CQ03			JUMPER	75060501P0	C811		4822 124 22571	ELECT. 10µF M 50V RA-2	OA10605020
CQ08		4822 122 40617	CER. 0.1µF +80%-20% 50V	DD38104010	C812		4822 122 30043	CER. 0.01µF +80%-20% 50V	DK18103310
CQ09	KS	4822 122 31205	CER. 47pF ±5% CH 50V BLK	DD15470300	C813		4822 124 22571	ELECT. 10µF M 50V RA-2	OA10605020
					C814		4822 122 30043	CER. 0.01µF +80%-20% 50V	DK18103310
					C815		4822 124 22571	ELECT. 10µF M 50V RA-2	OA10605020
					C816		4822 122 30043	CER. 0.01µF +80%-20% 50V	DK18103310
					C819		4822 122 30043	CER. 0.01µF +80%-20% 50V	DK18103310
					C820		4822 122 30043	CER. 0.01µF +80%-20% 50V	DK18103310
					C821		4822 122 30043	ELECT. 13000µF M 16V RE3	EA13901670
					C824		4822 122 30043	CER. 0.01µF +80%-20% 50V	DK18103310
					C825		4822 124 22571	ELECT. 10µF M 50V RA-2	OA10605020
					C826		4822 122 30043	CER. 0.01µF +80%-20% 50V	DK18103310
					C827		4822 122 30043	CER. 0.01µF +80%-20% 50V	DK18103310
					C828		4822 122 30043	CER. 0.01µF +80%-20% 50V	DK18103310

POS. NO	VERS. COLOR	PART NO. (FOR PCS)	DESCRIPTION	PART NO. (MJI)	POS. NO	VERS. COLOR	PART NO. (FOR PCS)	DESCRIPTION	PART NO. (MJI)
C830		4822 124 22571	ELECT. 10μF M 50V RA-2	OA10605020	▲ D826			DIODE 1GWJ43	HD20031050
C832			ELECT 470μF 63V	EA47706310	D827			JUMPER	75060501P0
C833		4822 124 22571	ELECT. 10μF M 50V RA-2	OA10605020	D828		4822 130 82421	DIODE 1D3 1A 200V	HD20002710
C834			ELECT. 47μF M 35V RA-2	OA47603520	D829		4822 130 82421	DIODE 1D3 1A 200V	HD20002710
C835		4822 122 30043	CER. 0.01μF +80%-20% 50V	DK18103310	D830		4822 130 32362	DIODE 1SS176 MA165 1SS254 30V 0.1A	HD20002000
C836		4822 122 30043	CER. 0.01μF +80%-20% 50V	DK18103310					
C840		4822 124 22571	ELECT. 10μF M 50V RA-2	OA10605020	QG01			IC ELE.VOL.TC9459N	HC10443050
C841		4822 122 30043	CER. 0.01μF +80%-20% 50V	DK18103310	QG02		4822 209 83631	IC NJM4558D-D	HC10008090
C843		4822 124 90355	ELECT. 100μF M 50V RA-2	OA10705020	QG03		4822 130 63634	TRS. 2SA1837 Q.Y	HT118372A0
C844		4822 122 30043	CER. 0.01μF +80%-20% 50V	DK18103310	QG04		4822 130 61227	DIG.TRS. DTA114ES UN4111 10K 10K	BA10001000
C845		4822 122 30043	CER. 0.01μF +80%-20% 50V	DK18103310					
C847		4822 122 30043	CER. 0.01μF +80%-20% 50V	DK18103310	QG05		4822 130 43818	TRS. 2SC2878 A OR BRANK	HT328782A0
C848		4822 122 30043	CER. 0.01μF +80%-20% 50V	DK18103310	QG06		4822 130 43818	TRS. 2SC2878 A OR BRANK	HT328782A0
C851		4822 124 41538	ELECT. 220μF 35V	OA22703520	QG07		4822 130 61227	DIG.TRS. DTA114ES UN4111 10K 10K	BA10001000
C852		4822 124 90357	ELECT. 2.2μF 50V	OA22505020					
C***			PS04-CAPACITORS (COMMON) HIGH DIELECTRIC CONSTANT CER. CAPACITOR ±10% 50V : C823 C824 C849 CG07[KS] CG08[KS] CQ06 CQ07 CS37-CS54[KS] CS71[KS] CS72[KS] CS91[KS] CS92[KS] CS95[KS] CS96[KS]		QS01				
C***			ELECTROLYTIC CAPACITOR ±20% :		QS11		4822 209 83631	IC NJM4558D-D	HC10008090
			PS04-RESISTORS		QS12		4822 209 32552	IC LC78211	HC10308030
▲ RG15		4822 115 90166	FUSE 10Ω ±2% 1/4W	NF02100140	QS13		4822 209 32553	IC LC78212	HC10309030
RS96			JUMPER	75060501P0	QS14		4822 209 32553	IC LC78212	HC10309030
RS97			JUMPER	75060501P0	QS15		4822 209 32552	IC LC78211	HC10308030
▲ R804		4822 117 10158	1Ω ± 5% 1/4W	GG05010140	QS16		4822 130 61227	DIG.TRS. DTA114ES UN4111 10K 10K	BA10001000
▲ R807		4822 053 10102	1kΩ ± 5% 1W	GA05102010	QS17				
▲ R811		4822 111 90731	FUSE 47Ω ±2% 1/4W	NF02470140	QS20				
▲ R817		4822 115 90167	FUSE 100Ω ±2% 1/4W	NF02101140	QS21		4822 130 61227	DIG.TRS. DTA114ES UN4111 10K 10K	BA10001000
R818			JUMPER	75060501P0	QS22		4822 130 61227	DIG.TRS. DTA114ES UN4111 10K 10K	BA10001000
R***			PS04-RESISTORS (COMMON) CARBON FILM FIXED RES. ±5% 1/6W : R806 R808-R810 R812 R814-R816 R819 RG01-RG06 RG09-RRG14 RG16-RG20 RQ25-RQ30 RS01-RS96 RS98 RS99		QS23		4822 130 43818	TRS. 2SC2878 A OR BRANK	HT328782A0
DG01		4822 130 82421	DIODE 1D3 1A 200V	HD20002710	QS24		4822 130 43818	TRS. 2SC2878 A OR BRANK	HT328782A0
DG02		4822 130 32362	DIODE 1SS176 MA165 1SS254 30V 0.1A	HD20002000	QS25		4822 209 83631	IC NJM4558D-D	HC10008090
DG03		4822 130 32362	DIODE 1SS176 MA165 1SS254 30V 0.1A	HD20002000	QS26		4822 130 90347	PHOTO UNIT PC-817 PHOTO CUPLER 1PAIR	HW10006320
DS01		4822 130 32362	DIODE 1SS176 MA165 1SS254 30V 0.1A	HD20002000	QS27		4822 130 61227	DIG.TRS. DTA114ES UN4111 10K 10K	BA10001000
DS02		4822 130 32362	DIODE 1SS176 MA165 1SS254 30V 0.1A	HD20002000	▲ Q802			IC L780515 +15V 1A	HC38915030
D803					▲ Q803		4822 209 31864	IC NJM7915FA -15V 1A	HC39915090
§		4822 130 82421	DIODE 1D3 1A 200V	HD20002710	▲ Q804			TRS. 2SD1415	HT41415100
D806					▲ Q805		4822 209 31864	IC NJM7915FA -15V 1A	HC39915090
▲ D808		4822 130 83438	DIODE D5SB-20 5A 200V	HE20016290	▲ Q807		4822 209 63179	IC NJM7905FA -5V 1A	HC39905090
D810		4822 130 82421	DIODE 1D3 1A 200V	HD20002710	▲ Q808		4822 209 61533	IC NJM7806FA +6V	HC38906090
D811		4822 130 82421	DIODE 1D3 1A 200V	HD20002710	Q809		4822 130 61666	TRS. 2SC3419 O Y 40V 0.8A PC=1.2W 5W	HT334192A0
D812		4822 130 82421	DIODE 1D3 1A 200V	HD20002710	Q810		4822 130 41947	TRS. 2SC2458 2SC1704S 2SC3199 ETC.	HT30001000
D813		4822 130 81729	ZENER DIODE MTZJ33D	HD33301000	▲ Q811		4822 209 15921	IC RESET HZS-806D-Z SEIKO	HC10077530
D814		4822 130 80273	ZENER DIODE 8.2V RD8.2JB2 MTZJ8.2C	HD30821000	Q812		4822 130 61227	DIG.TRS. DTA114ES UN4111 10K 10K	BA10001000
D815					Q813		4822 130 60588	DIG.TRS. DTC114ES ETC	BA20001000
§		4822 130 82421	DIODE 1D3 1A 200V	HD20002710				PS04-MISCELLANEOUS	
D825					JS01		4822 265 10729	TERMINAL 8P RCA PIN JACK	YT02080130
					JS03		4822 290 61244	TERMINAL 6P RCA PIN JACK	YT02060490
					JS04		4822 290 61244	TERMINAL 6P RCA PIN JACK	YT02060490
					JS06		4822 290 61244	TERMINAL 6P RCA PIN JACK	YT02060490
					JS07			TERMINAL 4P RCA	YT02041260
					LG01		4822 280 20501	RELAY MR62-24SR 24V	LY20240410
					▲ L801			RELAY FTR-F1AA024T	LY20240460
								PT04-SPK. TERMINAL CIRCUIT BOARD PT04-CAPACITORS	
					CN51	KS			
					§		4822 122 30043	CER. 0.01μF +80%-20% 50V	DK18103310
					CN58	KS			

POS. NO	VERS. COLOR	PART NO. (FOR PCS)	DESCRIPTION	PART NO. (MJI)	POS. NO	VERS. COLOR	PART NO. (FOR PCS)	DESCRIPTION	PART NO. (MJI)
DN51		4822 130 82421	PT04-SEMICONDUCTORS DIODE 1D3	HD20002710	QU07		4822 130 63211	DIG.TR.S. DTA114TS UN4115 10K	BA10004000
DN52		4822 130 82421	DIODE 1D3	HD20002710				PU04-MISCELLANEOUS	
DN53		4822 130 82421	DIODE 1D3	HD20002710	SU01			PUSH SWITCH EVQ11L05R	SP01013370
JN54	K KS		PT04-MISCELLANEOUS TERMINAL SPK. 4P RR BB IEC	YT01040830	SU26			ROTARY ENCODER FOR MASTER	SR02010070
JN54	U	4822 290 81673	TERMINAL SPK. 4P RR BB	YT01040710	SU32			ROTARY ENCODER FOR INP. SELECT	SR02010080
JN55	K KS		TERMINAL SPK. 4P BB RR IEC	YT01040840	SU33			DISPLAY UNIT SVA-12MM20	HQ31201920
JN55	U	4822 290 81674	TERMINAL SPK. 4P BB RR	YT01040720	VU01			PU74-STANDBY LED CIRCUIT BOARD CER. 0.1 μ F +80%-20% 50V RES. 680 Ω \pm 5% 1/6W L.E.D. HLMF-K200 #2UL RED	DD38104010 GD0568160 HI10005340
LN51		4822 280 10305	RELAY VB-18MBU-565-UL3	LY20180020	CU71		4822 122 40617	PU84-IR SENSOR CIRCUIT BOARD CER. 0.022 μ F TP050F223Z ELECT 220 μ F 6.3V	DA17223110 EJ22700610
LN52		4822 280 10305	RELAY VB-18MBU-565-UL3	LY20180020	CU81		4822 122 40588	PHOTO UNIT PNA4655M00XB	HW10005020
LN53		4822 280 10305	RELAY VB-18MBU-565-UL3	LY20180020	CU82		4822 124 80087	IR SENSOR	
CN71	KSBL	4822 122 30043	PT74-CENTER SPEAKER TERMINAL CIRCUIT BOARD PT74-CAPACITORS CER. 0.01 μ F +80%-20% 50V	DK18103310	QU81		4822 209 16157	PU94-GYRO ENCODER CIRCUIT BOARD CER. 0.1 μ F +80 -20%	DD38104010
CN71	K SGL	4822 122 30043	CER. 0.01 μ F +80%-20% 50V	DK18103310	CU91		4822 122 40617	RES. 330 Ω \pm 5% 1/6W	GD05331160
JN71	K KS		PT74-MISCELLANEOUS TERMINAL T6976 2P SPK.	YT01020390	RU91		4822 130 11143	PHOTO UNIT GP1A06 2PHASE PHOTO INTERRUPTER	HW10033320
JN71	U		TERMINAL T6543 2P SPK.	YT01020370	CW01		4822 122 40586	PW04-HEADPHONE CIRCUIT BOARD CER. 0.01 μ F +80%-20%	DA17103110
CU01		4822 126 11558	PU04-FRONT/FL DISPLAY/ SWITCH CIRCUIT BOARD PU04-CAPACITORS CER. 0.1 μ F +80%-20% 50V	DA17104110	CW02		4822 122 40586	CER. 0.01 μ F +80%-20%	DA17103110
CU02		4822 126 11558	CER. 0.1 μ F +80%-20% 50V	DA17104110	CW03		4822 122 40617	CER. 0.1 μ F +80%-20% 50V	DD38104010
CU03		4822 126 11558	CER. 0.1 μ F +80%-20% 50V	DA17104110	CW04		4822 122 40617	CER. 0.1 μ F +80%-20% 50V	DD38104010
CU04		4822 126 10935	ELECT 100 μ F 6.3V	EJ10700610				PY04-μ-COM CIRCUIT BOARD	
CU05								PY04-CAPACITORS CER. 0.1 μ F +80%-20% CHIP	DK98104200
CU05		4822 126 10364	CER. 100pF \pm 10%	DA16101110	CY01		4822 126 11687	ELECT 47 μ F 10V	EJ47601010
CU08					CY02		4822 124 23056	CER. 0.01 μ F \pm 10% B CHIP	DK96103200
CU09		4822 122 40586	CER. 10000pF \pm 20%	DA17103110	CY04		5322 126 11583	CER. 1 μ F +80%-20% 10V CHIP	DK98105200
CU10		4822 122 40586	CER. 10000pF \pm 20%	DA17103110	CY07		4822 126 13303	CER. 0.01 μ F +80%-20% CHIP	DK96103200
CU11		4822 126 11558	CER. 0.1 μ F +80%-20% 50V	DA17104110	CY08		5322 126 11583	CER. 0.01 μ F +80%-20% CHIP	DK96103200
CU12		4822 126 11558	CER. 0.1 μ F +80%-20% 50V	DA17104110	CY09		5322 126 11583	CER. 0.01 μ F +80%-20% CHIP	DK96103200
CU13			CER. 1000pF \pm 10%	DK16102300	CY10		5322 126 11583	CER. 0.01 μ F +80%-20% CHIP	DK96103200
CU14			RES. 100k Ω \pm 5% 1/6W	GD05104160	CY11			CER. 0.1 μ F +80%-20% CHIP	DK98104200
R***			PU04-RESISTORS (COMMON) CARBON FILM FIXED RES. \pm 5% 1/6W : RU01-RU09 RU11-RU19 RU21-RU29 RU31 RU34-RU48 RU51-RU63		CUY1		4822 126 11687	CER. 0.1 μ F +80%-20% CHIP	DK98104200
DU01			PU04-SEMICONDUCTORS L.E.D. LT3K44B GREEN 30MA	HI10095320	CUY19		4822 126 11687	CER. 0.1 μ F +80%-20% CHIP	DK98104200
DU06		4822 130 11363	L.E.D. LT3K44B GREEN 30MA	HI10095320	CY25		5322 126 11578	CER. 1000pF \pm 10% B 50V CHIP	DK96102300
DU07			L.E.D. HLMF-K200 #2UL RED	HI10005340	CY26		4822 126 11687	CER. 0.1 μ F +80%-20% CHIP	DK98104200
DU08			L.E.D. HLMF-K200 #2UL RED	HI10005340	CY30			BIG ELECT 1F 5.5V DB-5R5D105	EX10500530
DU09			L.E.D. HLMF-K200 #2UL RED	HI10005340	RY01		4822 051 30479	PY04-RESISTORS CHIP 47 Ω \pm 5% 1/16W	NN05470610
DU10		4822 130 11363	L.E.D. LT3K44B GREEN 30MA	HI10095320	RY02		4822 116 83819	CHIP 18k Ω \pm 5% 1/16W	NN05183610
DU17			L.E.D. HLMF-K200 #2UL RED	HI10005340	RY03		4822 051 30473	CHIP 47k Ω \pm 5% 1/16W	NN05473610
DU18		4822 130 32362	DIODE 1SS176 MA165 1SS254 30V 0.1A	HD20002000	RY04		4822 051 30473	CHIP 47k Ω \pm 5% 1/16W	NN05473610
DU20		4822 130 32362	DIODE 1SS176 MA165 1SS254 30V 0.1A	HD20002000	RY05		4822 051 30473	CHIP 47k Ω \pm 5% 1/16W	NN05473610
DU21		4822 130 32362	DIODE 1SS176 MA165 1SS254 30V 0.1A	HD20002000	RY06		4822 051 30103	CHIP 10k Ω \pm 5% 1/16W	NN05103610
QU01		4822 209 90244	IC UPD16311GC-AB6	HC10283060	RY11				
QU02		4822 209 16846	FTD DRIVER	HC10171090					
QU03		4822 130 41947	IC NJU3718L	HT30001000					
QU06			TRS. 2SC2458 2SC1740S 2SC3199 ETC.						

POS. NO	VERS. COLOR	PART NO. (FOR PCS)	DESCRIPTION	PART NO. (MJI)	POS. NO	VERS. COLOR	PART NO. (FOR PCS)	DESCRIPTION	PART NO. (MJI)
RY12		4822 051 30105	CHIP 1M Ω \pm 5% 1/16W	NN05105610	QY14		4822 130 61227	DIG.TRS. DTA114ES UN4111 10K 10K	BA10001000
RY13		4822 051 30103	CHIP 10k Ω \pm 5% 1/16W	NN05103610	QY15		4822 209 12845	IC S-80730SN-DT-X RESET	HC10054530
RY14	K KS	4822 051 30473	CHIP 47k Ω \pm 5% 1/16W	NN05473610				PY04-MISCELLANEOUS	
RY15	U	4822 116 82487	CHIP 0 Ω \pm 5% 1/16W	NN05000610	WY01		4822 321 23704	JUMPER LEAD SMCD-33X100- BDX10-P1 25-S6	YU33100500
RY16	K KS	4822 051 30473	CHIP 47k Ω \pm 5% 1/16W	NN05473610	XY01			SERAMIC VIB. CST20.00MXW0H1 20MHz+C	FQ02005030
RY17	U	4822 116 82487	CHIP 0 Ω \pm 5% 1/16W	NN05000610				PY54-CONNECT	
RY19		4822 116 82487	CHIP 0 Ω \pm 5% 1/16W	NN05000610	JY51		4822 265 61202	JACK HLEM33S-1 33PIN FFC CONNECTOR	YJ06011030
RY21		4822 116 82487	CHIP 0 Ω \pm 5% 1/16W	NN05000610	JY53		4822 265 61202	JACK HLEM33S-1 33PIN FFC CONNECTOR	YJ06011030
RY22	KS	4822 051 30473	CHIP 47k Ω \pm 5% 1/16W	NN05473610	WY51		4822 321 62312	JUMPER LEAD 33P-200 P1.25 SMCD-33X200	YU33200510
RY23	K	4822 116 82487	CHIP 0 Ω \pm 5% 1/16W	NN05000610				PY64-CONNECT-1	
RY23	U	4822 116 82487	CHIP 0 Ω \pm 5% 1/16W	NN05000610				CIRCUIT BOARD	
RY24		4822 051 30472	CHIP 4.7k Ω \pm 5% 1/16W	NN05472610	CY61		4822 122 30043	CER. 0.01 μ F +80%-20% 50V	DK18103310
RY25		4822 051 30472	CHIP 4.7k Ω \pm 5% 1/16W	NN05472610	CY62		4822 124 22571	ELECT. 10 μ F M 50V	OA10605020
RY27		4822 051 30472	CHIP 4.7k Ω \pm 5% 1/16W	NN05472610	▲ RY61		4822 115 90167	RES. FUSE 100 Ω \pm 2% 1/4W	NF02101140
RY31					RY62			RES. 10k Ω \pm 2% 1/4W	GD05103160
RY32		4822 116 82487	CHIP 0 Ω \pm 5% 1/16W	NN05000610	RY63			RES. 10k Ω \pm 2% 1/4W	GD05103160
RY33		4822 116 82487	CHIP 0 Ω \pm 5% 1/16W	NN05000610	DY61		4822 130 82421	DIODE 1D3 1A/200V	HD20002710
RY34		4822 116 82487	CHIP 0 Ω \pm 5% 1/16W	NN05000610	QY61		4822 130 61666	TRS. 2SC3419	HT334192A0
RY35		4822 051 30221	CHIP 220 Ω \pm 5% 1/16W	NN05221610	JY61			JACK 33PIN ANGLEB FFC33FE-ST-VK-N	YJ07020290
RY36		4822 116 82487	CHIP 0 Ω \pm 5% 1/16W	NN05000610	▲ LY61			RELAY FTR-F1AA024T	LY20240460
RY37		4822 116 82487	CHIP 0 Ω \pm 5% 1/16W	NN05000610				PZ04-S-VIDEO SELECTOR	
RY38		4822 051 30221	CHIP 220 Ω \pm 5% 1/16W	NN05221610				CIRCUIT BOARD	
RY45					CX01		4822 124 22571	ELECT. 10 μ F M 50V RA-2	OA10605020
RY46		4822 116 82487	CHIP 0 Ω \pm 5% 1/16W	NN05000610	CX02		4822 122 31349	CER. 68pF \pm 5% 50V	DD15680300
RY56					CX03	K KS	5322 122 32143	CER. 22pF \pm 5% 50V	DD15220300
RY57		4822 051 30473	CHIP 47k Ω \pm 5% 1/16W	NN05473610	CX04		4822 124 22275	ELECT. 47 μ F M 10V RA-2	OA47601020
RY58		4822 051 30103	CHIP 10k Ω \pm 5% 1/16W	NN05103610	CX05		4822 122 30043	CER. 0.01 μ F +80%-20% 50V	DK18103310
RY59		4822 051 30683	CHIP 68k Ω \pm 5% 1/16W	NN05683610	CX06		4822 124 90353	ELECT. 100 μ F M 10V RA-2	OA10701020
RY60		4822 051 30103	CHIP 10k Ω \pm 5% 1/16W	NN05103610	CX07		4822 124 22571	ELECT. 10 μ F M 50V RA-2	OA10605020
RY64		4822 051 30273	CHIP 27k Ω \pm 5% 1/16W	NN05273610	CX08	U	4822 126 10362	CER. 22pF \pm 5% 50V	DA15220110
RY65		4822 051 30221	CHIP 220 Ω \pm 5% 1/16W	NN05221610	CX09		4822 124 22571	ELECT. 10 μ F M 50V RA-2	OA10605020
RY66		4822 051 30221	CHIP 220 Ω \pm 5% 1/16W	NN05221610	CX10		4822 124 22571	ELECT. 10 μ F M 50V RA-2	OA10605020
RY67		4822 051 30103	CHIP 10k Ω \pm 5% 1/16W	NN05103610	CX11		4822 124 22571	ELECT. 10 μ F M 50V RA-2	OA10605020
RY68		4822 051 30273	CHIP 27k Ω \pm 5% 1/16W	NN05273610	CX12		4822 124 41537	ELECT. 220 μ F M 6.3V RA-2	OA22700620
DY01		4822 130 80522	CHIP DIODE 1SS300 DAP202U	HZ21006000	CX13		4822 124 22571	ELECT. 10 μ F M 50V RA-2	OA10605020
DY02		4822 130 80522	CHIP DIODE 1SS300 DAP202U	HZ21006000	CX14		4822 124 22571	ELECT. 10 μ F M 16V RA-2	OA10605020
DY03		4822 130 83715	CHIP DIODE 1SS301 DAN202U	HZ21005000	CX15		4822 124 22571	ELECT. 10 μ F M 16V RA-2	OA10605020
DY04		4822 130 80522	CHIP DIODE 1SS300 DAP202U	HZ21006000	CX16				OA10605020
QY01			IC TMP93CW40DF MAIN μ -COM	HU300JT00F	∫		4822 122 30043	CER. 0.01 μ F +80%-20% 50V	DK18103310
QY02		4822 130 41947	TRS. 2SC2458 2SC1740S 2SC3199 ETC.	HT30001000	CX19		4822 124 41543	ELECT. 1 μ F M 50V RA-2	OA10505020
QY03		4822 130 61227	DIG.TRS. DTA114ES UN4111 10K 10K	BA10001000	CX22		4822 122 30043	CER. 0.01 μ F +80%-20% 50V	DK18103310
QY04		4822 130 42594	DIG.TRS. DTC144ES UN4213 47K 47K	BA20002000	CX23		4822 125 50384	TRIM. VCT51E 20pF	CT12000200
QY05		4822 130 61227	DIG.TRS. DTA114ES UN4111 10K 10K	BA10001000	CX24		4822 124 41543	ELECT. 1 μ F 50V RA-2	OA10505020
QY06		4822 130 61227	DIG.TRS. DTA114ES UN4111 10K 10K	BA10001000	CX25		4822 124 41537	ELECT. 220 μ F M 6.3V RA-2	OA22700620
QY07		4822 130 60588	DIG.TRS. DTC114ES UN4211 10K 10K	BA20001000	CX93			JUMPER	75060501P0
QY08		4822 130 61227	DIG.TRS. DTA114ES UN4111 10K 10K	BA10001000	∫				
QY09		4822 130 60588	DIG.TRS. DTC114ES UN4211 10K 10K	BA20001000	CX96				
QY10		4822 130 61227	DIG.TRS. DTA114ES UN4111 10K 10K	BA10001000	CX97		4822 124 41543	ELECT. 1 μ F M 50V RA-2	OA10505020
QY11		4822 130 41947	TRS. 2SC2458 2SC1740S 2SC3199 ETC.	HT30001000	CX98		4822 124 22571	ELECT. 10 μ F M 50V RA-2	OA10605020
QY12		4822 130 41947	TRS. 2SC2458 2SC1740S 2SC3199 ETC.	HT30001000	CX99	U	4822 126 10362	CER. 22pF \pm 5%	DA15220110
QY13		4822 130 60588	DIG.TRS. DTC114ES UN4211 10K 10K	BA20001000	CZ01				
					∫		4822 124 22571	ELECT. 10 μ F M 50V RA-2	OA10605020
					CZ05				

POS. NO	VERS. COLOR	PART NO. (FOR PCS)	DESCRIPTION	PART NO. (MJI)	POS. NO	VERS. COLOR	PART NO. (FOR PCS)	DESCRIPTION	PART NO. (MJI)
CZ06		4822 124 23112	ELECT 10μF 16V	EQ10601630	RZ24		4822 111 41355	75Ω ± 5% 1/6W	GD05750160
CZ10					RZ29				
CZ11		4822 124 22571	ELECT. 10μF M 50V RA-2	OA10605020	RZ36			JUMPER	75060501P0
CZ25					RZ41				
CZ26		4822 124 23112	ELECT 10μF 16V	EQ10601630				PZ04-RESISTORS (COMMON)	
CZ27		4822 124 22571	ELECT. 10μF M 50V RA-2	OA10605020	R***			CARBON FILM FIXED RES.	
CZ33								±5% 1/6W : RX01-RX10	
CZ34		4822 124 41544	ELECT. 470μF M 6.3V RA-2	OA47700620				RX12-RX22 RX24-EX29	
CZ35		4822 124 22571	ELECT. 10μF M 50V RA-2	OA10605020				RZ01-RZ05 RZ16-RZ20	
CZ42								RZ30-RZ32 RZ34 RZ35	
CZ43	K KS	4822 126 10362	CER. 22pF ±5%	DA15220110				RZ42-RZ48 RZ50 RZ51 RZ53	
CZ44	U	4822 122 33792	CER. 10pF ±5%	DA15100120				RZ54 RZ56-RZ60 RZ67	
CZ45	K KS	4822 126 11553	CER. 15pF ±5%	DA15150120				PZ04-SEMICONDUCTORS	
CZ46		4822 126 11591	CER. 24pF ±5% CH 50V BLK	DD15240300	DX01		4822 130 80321	ZENER DIODE 10V	HD31001000
CZ47		4822 126 10362	CER. 22pF ±5%	DA15220110	DZ01				
CZ49		4822 124 41543	ELECT. 1μF M 50V RA-2	OA10505020			4822 130 32362	DIODE 1SS176 MA165 1SS254	HD20002000
CZ50		4822 122 40617	CER. 0.1μF +80%-20% 50V	DD38104010				30V 0.1A	
CZ51		4822 124 41537	ELECT. 220μF M 6.3V RA-2	OA22700620	DZ03		4822 130 32362	DIODE 1SS176 MA165 1SS254	HD20002000
CZ52		4822 124 41543	ELECT. 1μF M 50V RA-2	OA10505020	DZ05			30V 0.1A	
CZ53			JUMPER	75060501P0	DZ19			ZENER DIODE MTZ 2.7B 2.7V	HD30271000
CZ54			JUMPER	75060501P0					
CZ55		4822 124 22571	ELECT. 10μF M 50V RA-2	OA10605020			4822 130 41947	TRS. 2SC536SP 2SC2458	HT30001000
CZ60								2SC3311 2SC1740S	
CZ61		4822 124 41544	ELECT. 470μF M 6.3V RA-2	OA47700620			4822 130 63211	DIG.TR.S. DTA114TS UN4115	BA10004000
CZ62		4822 124 41544	ELECT. 470μF M 6.3V RA-2	OA47700620				10K	
CZ63		4822 124 41544	ELECT. 470μF M 6.3V RA-2	OA47700620			4822 130 60588	DIG.TR.S. DTC114ES UN4211	BA20001000
CZ65		4822 122 30043	CER. 0.01μF +80%-20% 50V	DK18103310				10K 10K	
CZ66		4822 124 41537	ELECT. 220μF M 6.3V	OA22700620				IC MM1140XF	HC10083550
CZ67		4822 122 30043	CER. 0.01μF +80%-20% 50V	DK18103310				IC BA7612N	HC10201210
CZ68		4822 124 41537	ELECT. 220μF M 6.3V RA-2	OA22700620				IC MM1140XF	HC10083550
CZ69		4822 122 30043	CER. 0.01μF +80%-20% 50V	DK18103310				IC BA7612N	HC10201210
CZ77								IC BA7649A G-1 VIDEO SW	HC10179210
CZ78		4822 124 41537	ELECT. 220μF M 6.3V RA-2	OA22700620				IC BA7613N	HC10202210
CZ79		4822 122 40617	CER. 0.1μF +80 -20%	DD38104010				IC BA7649A G-1 VIDEO SW	HC10179210
CZ80		4822 124 22571	ELECT. 10μF M 50V RA-2	OA10605020				IC BA7612N	HC10201210
CZ81		4822 124 22571	ELECT. 10μF M 50V RA-2	OA10605020				IC NJM2244	HC10119090
CZ82		4822 124 41544	ELECT. 470μF M 6.3V RA-2	OA47700620				3IN SW 75Ω DRIVER	
CZ83		4822 124 23112	ELECT 10μF 16V	EQ10601630				IC NJM2263D	HC10198090
CZ84		4822 124 22571	ELECT. 10μF M 50V RA-2	OA10605020				IC OSD LC74781	HC10377030
CZ85		4822 124 41544	ELECT. 470μF M 6.3V RA-2	OA47700620			4822 130 61227	DIG.TR.S. DTA114ES UN4111	BA10001000
CZ86		4822 124 22571	ELECT. 10μF M 50V RA-2	OA10605020				10K 10K	
CZ87		4822 124 22571	ELECT. 10μF M 50V RA-2	OA10605020				DIG.TR.S. DTC114TS UN4215	BA20004000
CZ88		4822 124 22571	ELECT. 10μF M 50V RA-2	OA10605020				10K	
CZ89		4822 122 30043	CER. 0.01μF +80%-20% 50V	DK18103310				DIG.TR.S. DTC114TS UN4215	BA20004000
CZ92								10K	
CZ93		4822 124 90353	ELECT. 100μF M 10V RA-2	OA10701020				IC BA7613N	HC10202210
CZ94		4822 122 30043	CER. 0.01μF +80%-20% 50V	DK18103310				IC BA7613N	HC10202210
CZ95		4822 124 90353	ELECT. 100μF M 10V RA-2	OA10701020				IC BA7613N	HC10202210
CZ97		4822 124 90353	ELECT. 100μF M 10V RA-2	OA10701020				IC NJM2244	HC10119090
CZ98		4822 122 30043	CER. 0.01μF +80%-20% 50V	DK18103310				3IN SW 75Ω DRIVER	
								IC NJM2263D	HC10198090
C***			PZ04-CAPACITORS (COMMON)				4822 130 60588	DIG.TR.S. DTC114ES UN4211	BA20001000
			HIGH DIELECTRIC CONSTANT					10K 10K	
			CER. CAPACITOR ±10% 50V :					IC 74HC4051	HC705100B0
			CX21 CX92 CZ48					IC NJM2903D DUAL COMPA.	HC10022090
			PZ04-RESISTORS					DIG.TR.S. DTA114ES UN4111	BA10001000
▲ RX11		4822 050 21801	180Ω ± 5% 1/4W	GG05181140				10K 10K	
RZ06		4822 111 41355	75Ω ± 5% 1/6W	GD05750160				DIG.TR.S. DTC114ES UN4211	BA20001000
RZ15								10K 10K	
RZ22			JUMPER	75060501P0				IC 74HC32 DIP	HC703200B0
RZ23			JUMPER	75060501P0				IC TC74HC132AP	HC713205D0

(VERS.:VERSION, U:U.S.A., F:JAPAN, K:FAR EAST, **:EUROPE)

POS. NO	VERS. COLOR	PART NO. (FOR PCS)	DESCRIPTION	PART NO. (MJI)
JZ01			PZ04-MISCELLANEOUS	
JZ02			TERMINAL 3P S-TERM.GOLD	YT02030550
JZ03			TERMINAL 2P S-TERM.GOLD	YT02021520
JZ04			TERMINAL 3P S-TERM.GOLD	YT02030550
JZ05			TERMINAL 6P RCA	YT02060640
			COMP.VIDEO GOLD G/B/R	
			TERMINAL 3P RCA	YT02030540
			COMP.VIDEO GOLD G/B/R	
LX01		4822 157 62909	CHOKO COIL 22 μ H	LC12233800
LZ01		4822 157 62922	CHOKO COIL 33 μ H J	LC13333800
LZ02		4822 242 73843	EMI FILTER DSS306-91-F-223Z	FM12223010
LZ03		4822 242 73843	EMI FILTER DSS306-91-F-233Z	FM12223010
XZ01	K KS	4822 242 73903	CRYSTAL AT49 17.7MHz	JX17001260
XZ02		4822 242 80288	CRYSTAL AT49 14.31818MHz	JX14001260