

REVISIONS			
REV.	DESCRIPTION	DATE	APPROVED
A	PR411	07-MAY-04	S M M
B	EC 3101	20-MAY-04	S M M

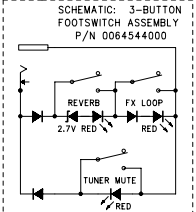
REF: ITEM D FROM CHASSIS WIRESET (064351)  
NOTE: RCA CONNECTORS TO PCB AT J2 & J3

TP5, TP10-12, TP34 & TP40 ONLY: INSTALL FOOTSWITCH.  
SEE TEST FOR LIT LED REQUIREMENT.

TP26-27 ONLY: INSTALL FOOTSWITCH.  
FX LOOP LED ON.

WHEN FOOTSWITCH IS NOT INSTALLED:  
S3 OUT: NOT MUTED / MUTE LED DARK  
S3 IN: MUTED / MUTE LED FLASHING  
NOTE: FOOTSWITCH DEFEATS S3

- COMPONENTS NOT INSTALLED (N.S.): C78
- LAST INSTANCES: C80, D45, J5, P4, O14, R150, S4, U16
- AC AND DC MEASUREMENTS READ TO GROUND WITH A DVM UNDER THE FOLLOWING CONDITIONS:  
UNIT AT RATED LINE VOLTAGE.  
P1-2 CONNECTED TO PWR1-2 ON REAR PCB ASSY (P/N 006474000). P3 CONNECTED TO PWR3 ON PWR AMP PCB ASSY (P/N 005793000).  
ALL CONTROLS POINTERS SET TO 12 O'CLOCK EXCEPT REVERB. SET REVERB CONTROL FULLY CCW (MINIMUM).  
FOOTSWITCH NOT CONNECTED EXCEPT WHERE NOTED.  
NO INPUT SIGNAL FOR TESTS TP1-12 & TP31-34.
- ADDITIONAL CONDITIONS FOR TESTS TP13-30:  
60V RMS SINEWAVE INPUT TO J1.
- THIS SCHEMATIC IS FOR PCB FABRICATION P/N 0064344000 AND PCB ASSEMBLY P/N 0064345000.
- ALL DIODES ARE 1N4448.
- ALL POLARIZED CAPACITORS IN uF, 20% 50V MINIMUM.
- ALL UNPOLARIZED CAPACITORS IN uF, 10% OR BETTER, 50V MINIMUM.
- ALL RESISTORS IN OHMS, 5% 1/4W.



THIS DOCUMENT CONTAINS INFORMATION OF A PROPRIETARY NATURE TO FENDER MUSICAL INSTRUMENTS AND IS SUBMITTED TO YOU IN CONFIDENCE AND SHALL NOT BE DISCLOSED OR TRANSMITTED TO OTHERS WITHOUT AUTHORIZATION FROM FENDER MUSICAL INSTRUMENTS.

**Fender** MUSICAL INSTRUMENTS  
2621 Research Drive  
Corona, CA 91720 USA

CHECKED BY: \_\_\_\_\_  
DATE: \_\_\_\_\_

APPROVED BY: \_\_\_\_\_  
DATE: \_\_\_\_\_

DRAWN: MARSHALL ENGR: MARSHALL  
DATABASE FILE: Z41S1.SCH

TITLE: SERVICE DIAGRAM, COMBINED (schematic)  
STEEL KING  
PREAMP

SIZE: \_\_\_\_\_  
DRAWING NUMBER: 0064343000  
REV. B

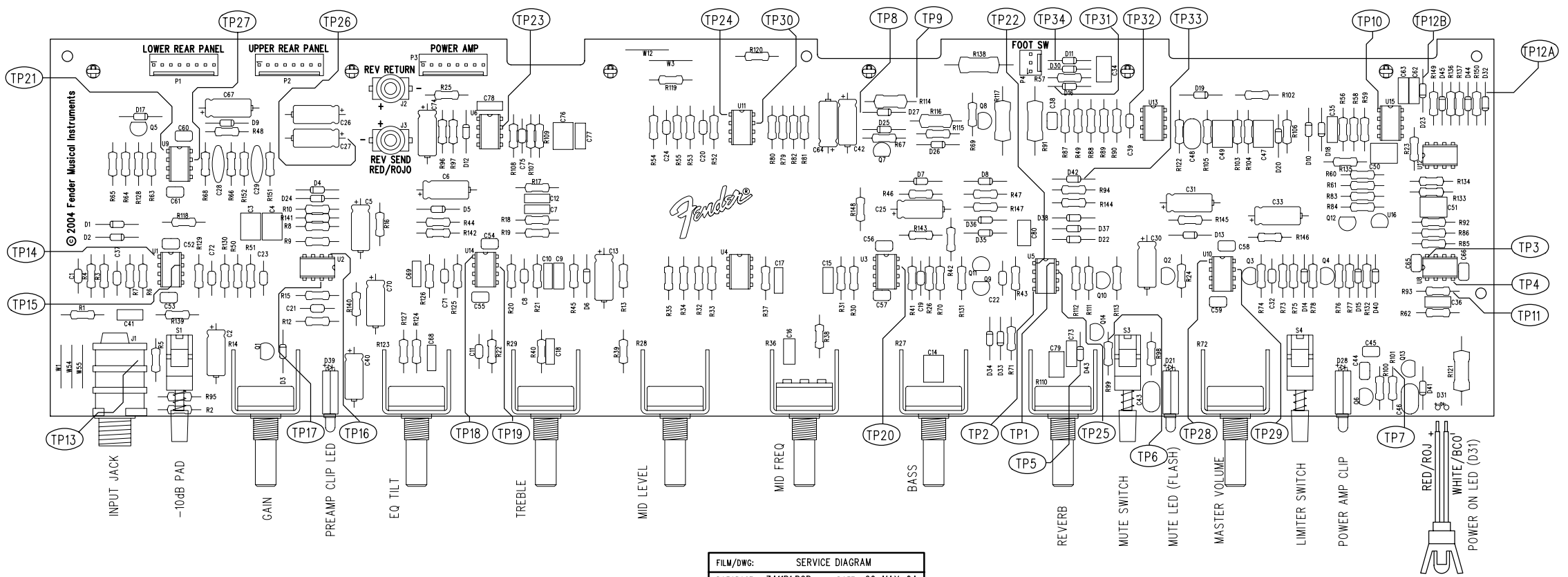
RELEASE DATE: 07-MAY-04 SHEET: 1 OF 2

NOTES: (UNLESS OTHERWISE NOTED)

8 7 6 5 4 3 2 1

REVISIONS			
REV.	DESCRIPTION	DATE	APPROVED
A	PR 411	07-MAY-04	S M M
B	EC 3101	20-MAY-04	S M M

D  
C  
B  
A



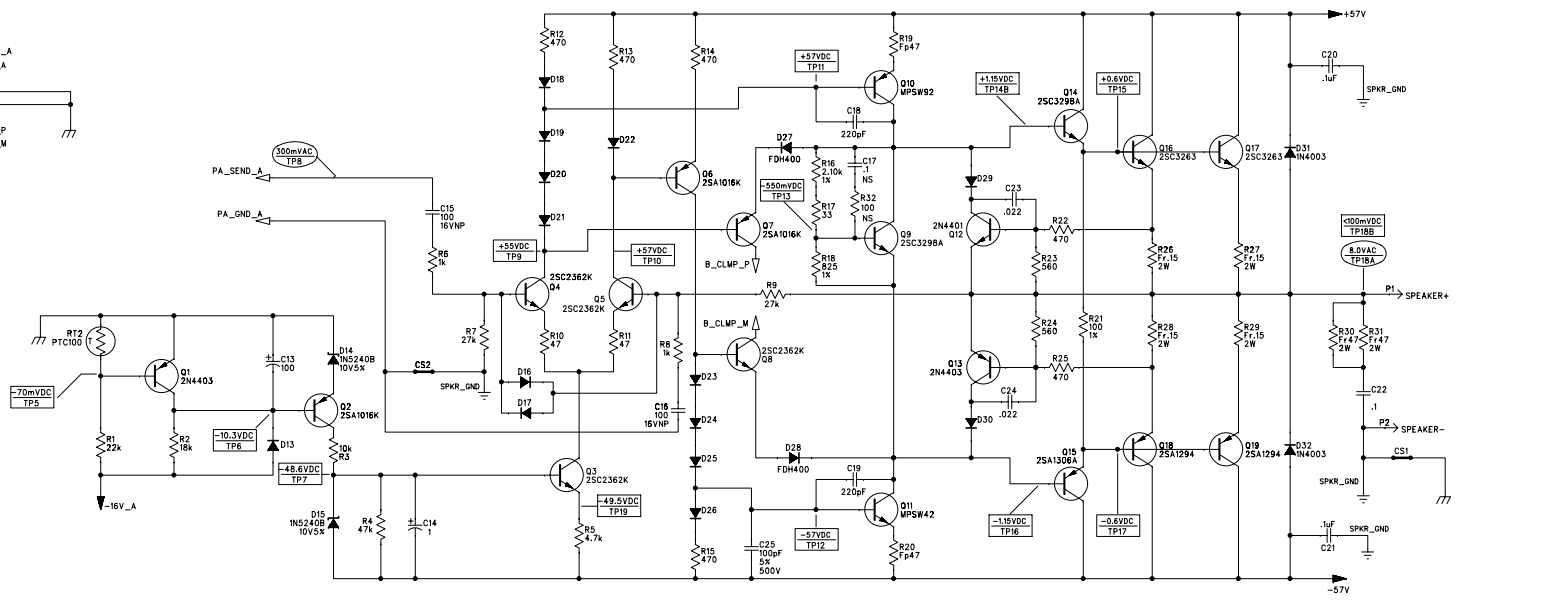
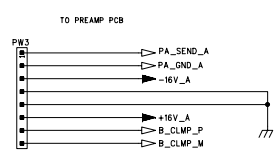
FILM/DWG: SERVICE DIAGRAM  
 DATABASE: Z41P1.PCB DATE: 20-MAY-04

1. SEE SHEET 1 FOR TEST CONDITIONS AND TESTPOINT VALUES.  
 NOTES: (UNLESS OTHERWISE NOTED)

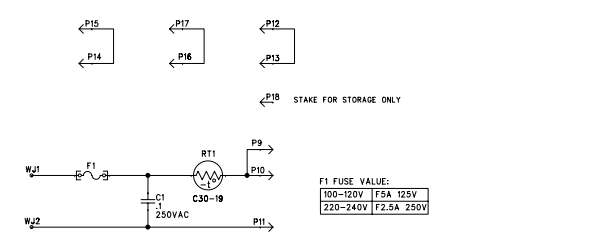
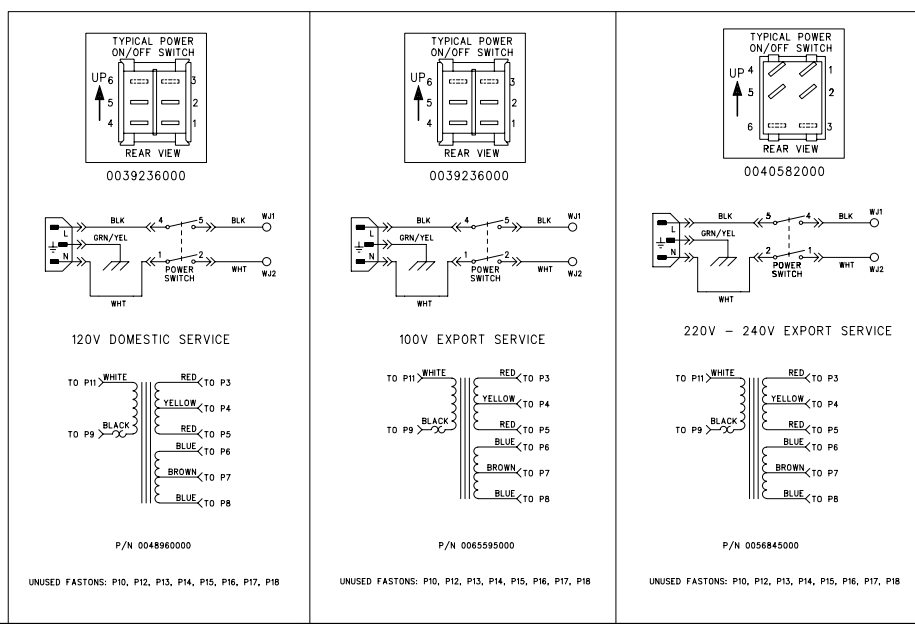
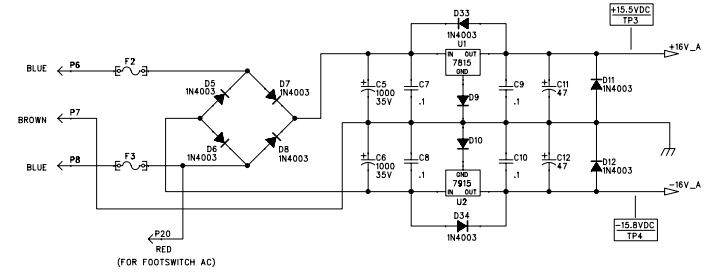
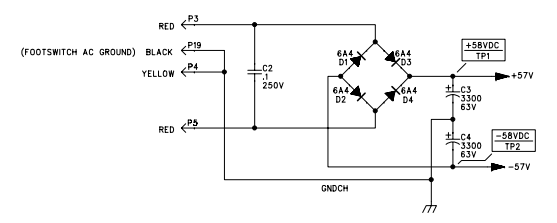
THIS DOCUMENT CONTAINS INFORMATION OF A PROPRIETARY NATURE TO FENDER MUSICAL INSTRUMENTS AND IS SUBMITTED TO YOU IN CONFIDENCE AND SHALL NOT BE DISCLOSED OR TRANSMITTED TO OTHERS WITHOUT AUTHORIZATION FROM FENDER MUSICAL INSTRUMENTS.		MUSICAL INSTRUMENTS Corona, CA U.S.A.	
CHECKED BY: _____ DATE: _____		TITLE: SERVICE DIAGRAM, COMBINED (PCB assy) STEEL KING AMP PREAMP	
APPROVED BY: _____ DATE: _____		SIZE <b>C</b>	DRAWING NUMBER <b>0064343000</b>
DRAWN: MARSHALL ENGR: MARSHALL	DATABASE FILE: Z41P1.PCB	RELEASE DATE: 07-MAY-04	REV. <b>B</b> SHEET 2 OF 2

8 7 6 5 4 3 2 1

REVISIONS			
REV.	DESCRIPTION	DATE	APPROVED
A	PR 419	17-JAN-00	R B H
B	EC 2468	24-APR-00	R B H
C	EC 2522	9-AUG-00	R B H
D	EC 2706	30-JAN-02	R B H
E	EC 2987	12-SEP-03	R B H
F	PR 411	30-APR-04	S M M
G	EC 3101	20-MAY-04	S M M



**OUTPUT POWER TEST:**  
 CONNECT A 1kHz SINWAVE SIGNAL TO J1 (FRONT PANEL). SET MASTER VOLUME ON FRONT TO MAX (CW). WITH A 4 OHM LOAD CONNECTED TO P1/P2 AND UNIT AT RATED AC LINE INPUT, ADJUST INPUT SIGNAL, GAIN CONTROL, AND MASTER VOLUME CONTROL TO VERIFY 200 WATTS AT <1.0x T.H.D.



1. ALL RESISTORS IN OHMS, S<sub>1</sub>/1/4W.
2. ALL UNPOLARIZED CAPACITORS IN uF, 10x OR BETTER, 50V MINIMUM. (POWER SUPPLY BYPASS CAPACITORS ARE 20x).
3. ALL POLARIZED CAPACITORS IN uF, 20x; 50V MINIMUM.
4. ALL DIODES IN4448.
5. THIS SCHEMATIC IS FOR PCB FAB P/N 005579000 AND PCB ASSY P/N 0055792000.
6. AC AND DC MEASUREMENTS READ TO GROUND WITH A DVM UNDER THE FOLLOWING CONDITIONS:  
 UNIT IS POWERED AT RATED LINE VOLTAGE AND FREQUENCY  
 4 OHM RESISTIVE LOAD CONNECTED ACROSS P1-P2  
 NO INPUT SIGNAL FOR TEST POINTS TP1-7 & TP9.  
 ADDITIONAL CONDITIONS FOR TEST POINTS TP8-18:  
 PREAMP PCB ASSY SHOULD BE SET UP PER ITS SERVICE DIAGRAM (BASSMAN 200 P/N 005580000, STEEL KING P/N 0064343000.)  
 INPUT 100mVAC RIAS SINWAVE INTO PREAMP PCB ASSY - J1 (INPUT\*)  
 NOTE: PW3 INTERCONNECTS TO P3 ON PREAMP PCB ASSY (BASSMAN 200 P/N 0055799000, STEEL KING P/N 0064343000.)
7. LAST INSTANCES: C24, CS2, D34, F3, P20, PW3, D19, R31, RT2, U2, WJ2
8. COMPONENTS NOT INSTALLED (NS): C17, R32

THIS DOCUMENT CONTAINS INFORMATION OF A PROPRIETARY NATURE TO FENDER MUSICAL INSTRUMENTS AND IS SUBMITTED TO YOU IN CONFERENCE AND SHALL NOT BE DISCLOSED OR TRANSMITTED TO OTHERS WITHOUT AUTHORIZATION FROM FENDER MUSICAL INSTRUMENTS.

**Fender** MUSICAL INSTRUMENTS  
 Corona, CA U. S. A.

CHECKED BY: \_\_\_\_\_  
 DATE: \_\_\_\_\_

TITLE: SERVICE DIAGRAM, COMBINED (schematic)  
 BASSMAN 200  
 POWER AMP

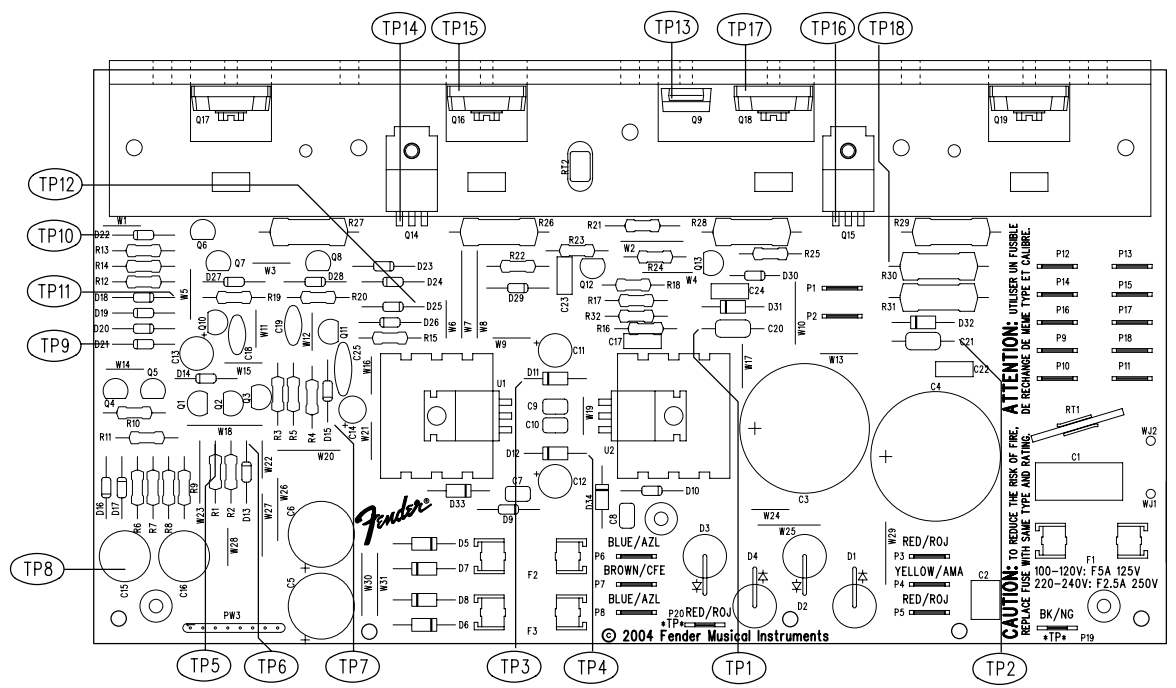
DATE: \_\_\_\_\_  
 DRAWN: R. HAACK ENGR: R. HAACK  
 DATABASE FILE: Z419S2.SCH

SIZE: **D** DRAWING NUMBER: **0055793000** REV. **G**

RELEASE DATE: 17-JAN-04 SHEET: 1 OF 2

8 7 6 5 4 3 2 1

D  
C  
B  
A



REVISIONS			
REV.	DESCRIPTION	DATE	APPROVED
A	PR419	17-JAN-00	R B H
B	EC2468	24-APR-00	R B H
C	EC2522	09-AUG-00	R B H
D	EC2706	30-JAN-02	R B H
E	EC2987	12-SEP-03	R B H
F	PR411	07-MAY-04	S M M
G	EC 3101	20-MAY-04	S M M

FILM/DWG: SERVICE DIAGRAM  
 DATABASE: Z419P3.PCB DATE: 07-MAY-04

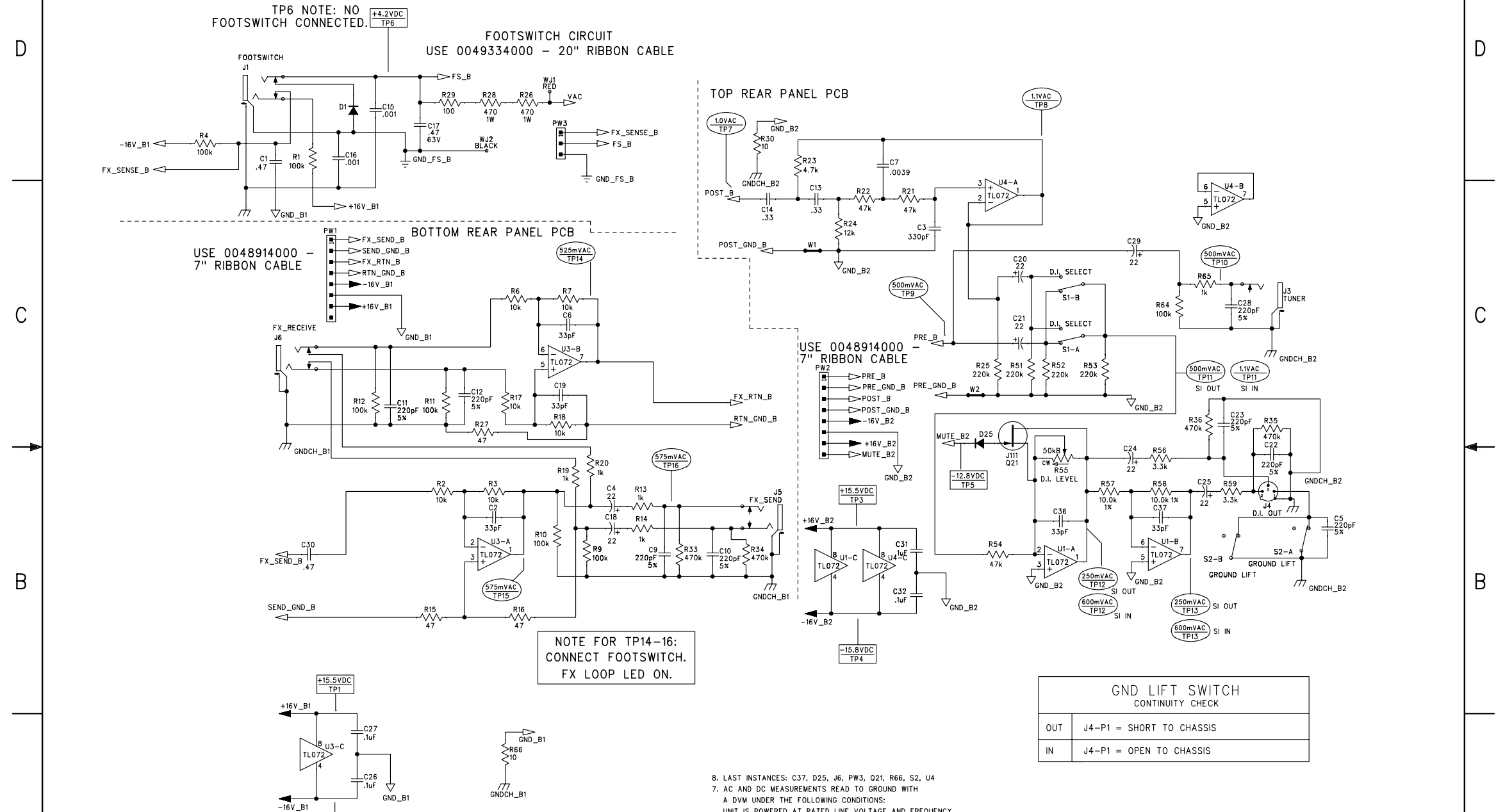
- 2. RIBBON CABLE AT PW3 CONNECTS TO PREAMP PCB ASSY P3
- 1. SEE SHEET 1 FOR PRIMARY WIRING, TEST CONDITIONS, AND TEST POINT VALUES

NOTES: (UNLESS OTHERWISE NOTED)

THIS DOCUMENT CONTAINS INFORMATION OF A PROPRIETARY NATURE TO FENDER MUSICAL INSTRUMENTS AND IS SUBMITTED TO YOU IN CONFIDENCE AND SHALL NOT BE DISCLOSED OR TRANSMITTED TO OTHERS WITHOUT AUTHORIZATION FROM FENDER MUSICAL INSTRUMENTS.		<b>MUSICAL INSTRUMENTS</b> Corona, CA U. S. A.	
CHECKED BY: _____		TITLE: SERVICE DIAGRAM, COMBINED (PCB assy) BASSMAN 200 POWER AMP	
DATE: _____		SIZE <b>C</b>	REV. <b>G</b>
APPROVED BY: _____		DRAWING NUMBER <b>0055793000</b>	
DATE: _____		SHEET 2 OF 2	
DRAWN: R. HAACK	ENGR: R. HAACK	RELEASE DATE: 17-JAN-00	
DATABASE FILE: Z419P3.PCB			

8 7 6 5 4 3 2 1

REVISIONS			
REV.	DESCRIPTION	DATE	APPROVED
A	PR411	07-MAY-04	S M M
B	EC 3101	20-MAY-04	S M M

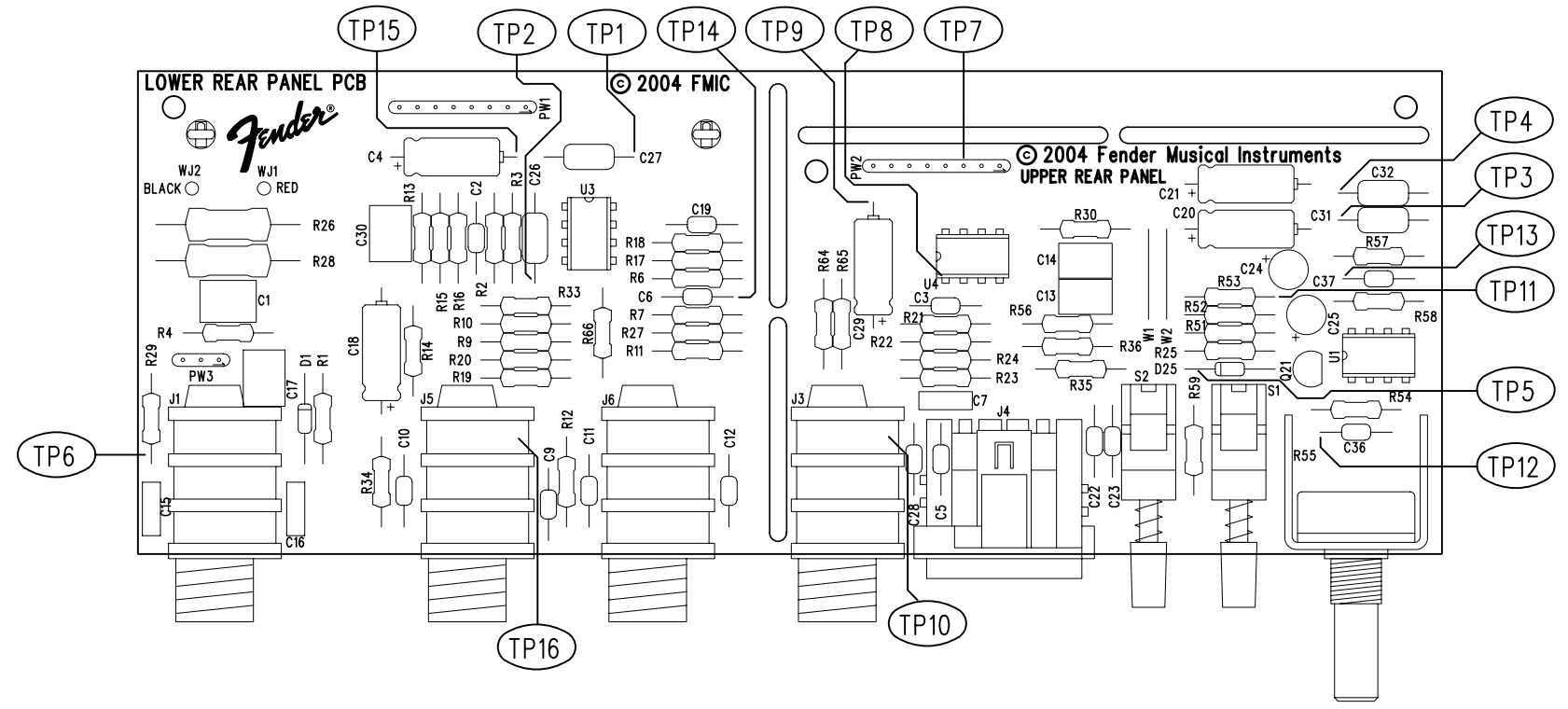


- 8. LAST INSTANCES: C37, D25, J6, PW3, Q21, R66, S2, U4
  - 7. AC AND DC MEASUREMENTS READ TO GROUND WITH A DVM UNDER THE FOLLOWING CONDITIONS:  
UNIT IS POWERED AT RATED LINE VOLTAGE AND FREQUENCY  
PREAMP PCB ASSY SHOULD BE SET UP PER ITS SERVICE DIAGRAM (P/N 0064343000)
  - REAR PANEL SWITCHES OUT (S1-2) EXCEPT WHERE NOTED.
  - 6. PW1 AND PW2 CONNECT TO P1 AND P2 ON PREAMP PCB ASSY (P/N 0064345000)
  - 5. THIS SCHEMATIC IS FOR PCB FABRICATION P/N 0064346000 AND PCB ASSEMBLY P/N 0064347000.
  - 4. ALL DIODES ARE 1N4448.
  - 3. ALL POLARIZED CAPACITORS IN uF, 20%; 50V MINIMUM.
  - 2. ALL UNPOLARIZED CAPACITORS IN uF, 10% OR BETTER; 50V MINIMUM. (POWER SUPPLY BYPASS CAPACITORS ARE 20%).
  - 1. ALL RESISTORS IN OHMS, 5%; 1/4W.
- NOTES: (UNLESS OTHERWISE NOTED)

GND LIFT SWITCH CONTINUITY CHECK	
OUT	J4-P1 = SHORT TO CHASSIS
IN	J4-P1 = OPEN TO CHASSIS


THIS DOCUMENT CONTAINS INFORMATION OF A PROPRIETARY NATURE TO FENDER MUSICAL INSTRUMENTS AND IS SUBMITTED TO YOU IN CONFIDENCE AND SHALL NOT BE DISCLOSED OR TRANSMITTED TO OTHERS WITHOUT AUTHORIZATION FROM FENDER MUSICAL INSTRUMENTS.		MUSICAL INSTRUMENTS Corona, CA U.S.A.	
CHECKED BY: _____ DATE: _____		TITLE: SERVICE DIAGRAM, COMBINED (schematic) STEEL KING REAR PANEL PCB	
APPROVED BY: _____ DATE: _____		SIZE <b>C</b>	DRAWING NUMBER <b>0064348000</b>
DRAWN: GITLO ENGR: GITLO	DATABASE FILE: Z41S2.SCH	RELEASE DATE: 07-MAY-04	SHEET: 1 OF 2

REVISIONS			
REV.	DESCRIPTION	DATE	APPROVED
A	PR 411	07-MAY-04	S M M
B	EC 3101	20-MAY-04	S M M



FILM/DWG: SERVICE DIAGRAM  
 DATABASE: Z41P2.PCB DATE: 20-MAY-04

1. SEE SHEET 1 FOR TEST CONDITIONS AND TEST POINT VALUES.  
 NOTES: (UNLESS OTHERWISE NOTED)

THIS DOCUMENT CONTAINS INFORMATION OF A PROPRIETARY NATURE TO FENDER MUSICAL INSTRUMENTS AND IS SUBMITTED TO YOU IN CONFIDENCE AND SHALL NOT BE DISCLOSED OR TRANSMITTED TO OTHERS WITHOUT AUTHORIZATION FROM FENDER MUSICAL INSTRUMENTS.		 MUSICAL INSTRUMENTS Corona, CA U.S.A.	
CHECKED BY: _____ DATE: _____		TITLE: SERVICE DIAGRAM, COMBINED (PCB assy) STEEL KING AMP REAR PANEL PCB	
APPROVED BY: _____ DATE: _____		SIZE <b>B</b>	DRAWING NUMBER 0064348000
DRAWN: MARSHALL ENGR: MARSHALL	REV. <b>B</b>	RELEASE DATE: 07-MAY-04	SHEET 2 OF 2
DATABASE FILE: Z41P2.PCB		SHEET 2 OF 2	