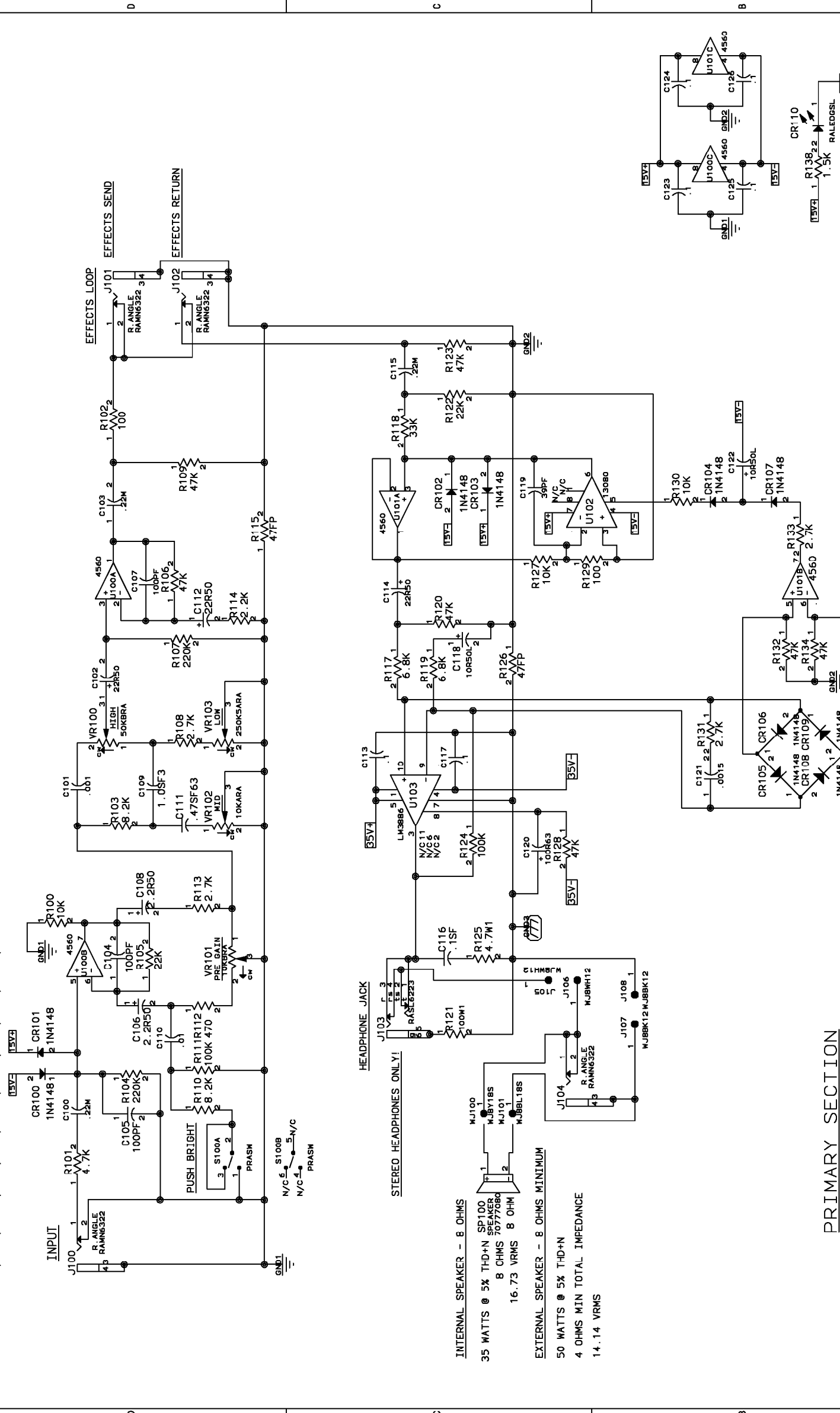
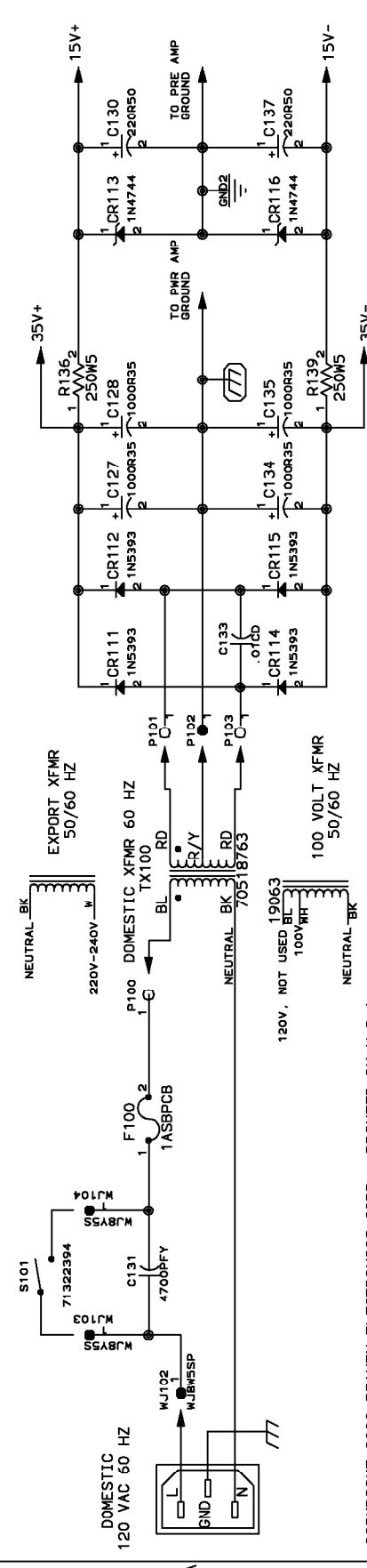


NOTE HIGHEST REF: R140, C137, CR116, J104, U103, VR103, FC101, S101, P104, WJ104, L100



**PRIMARY SECTION**

Application	Assy No.	Ref Des
DOMESTIC 120VAC 60 Hz	99030500	F100
EXPORT 220-240VAC 50/60 Hz	70901712	TX100
100 VAC 50/60 Hz	70901712	70539305
	99030501	70901446
	70901446	70519063



"COMPANY PROPRIETARY INFORMATION"

PEAVEY ELECTRONICS CORP.  
711 A STREET  
MERIDIAN, MISSISSIPPI 39301

TITLE: MINX II

ENGINEER: JRA

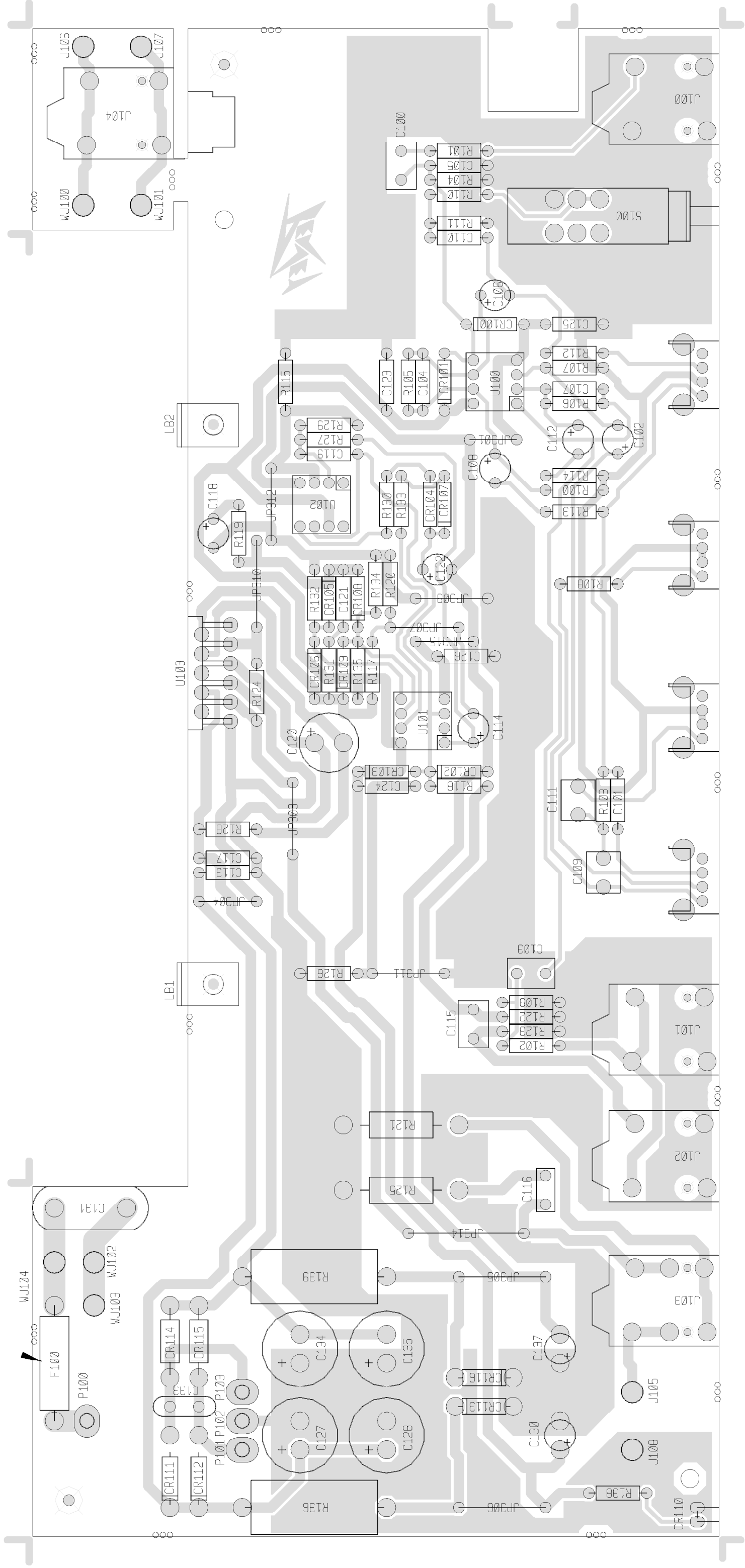
SIZE CODE: 99030500\501

PRINT: C

DATE: 28-NOV-2000

SHEET 1 OF 1

For F100 (Domestic/Export)(P/N 99030500) insert 1ASBPCB P/N 70901712  
For F100 (100V- P/N 99030501) insert 1.5SBPCB P/N 70901446



# MINX110 DOM/EXP

