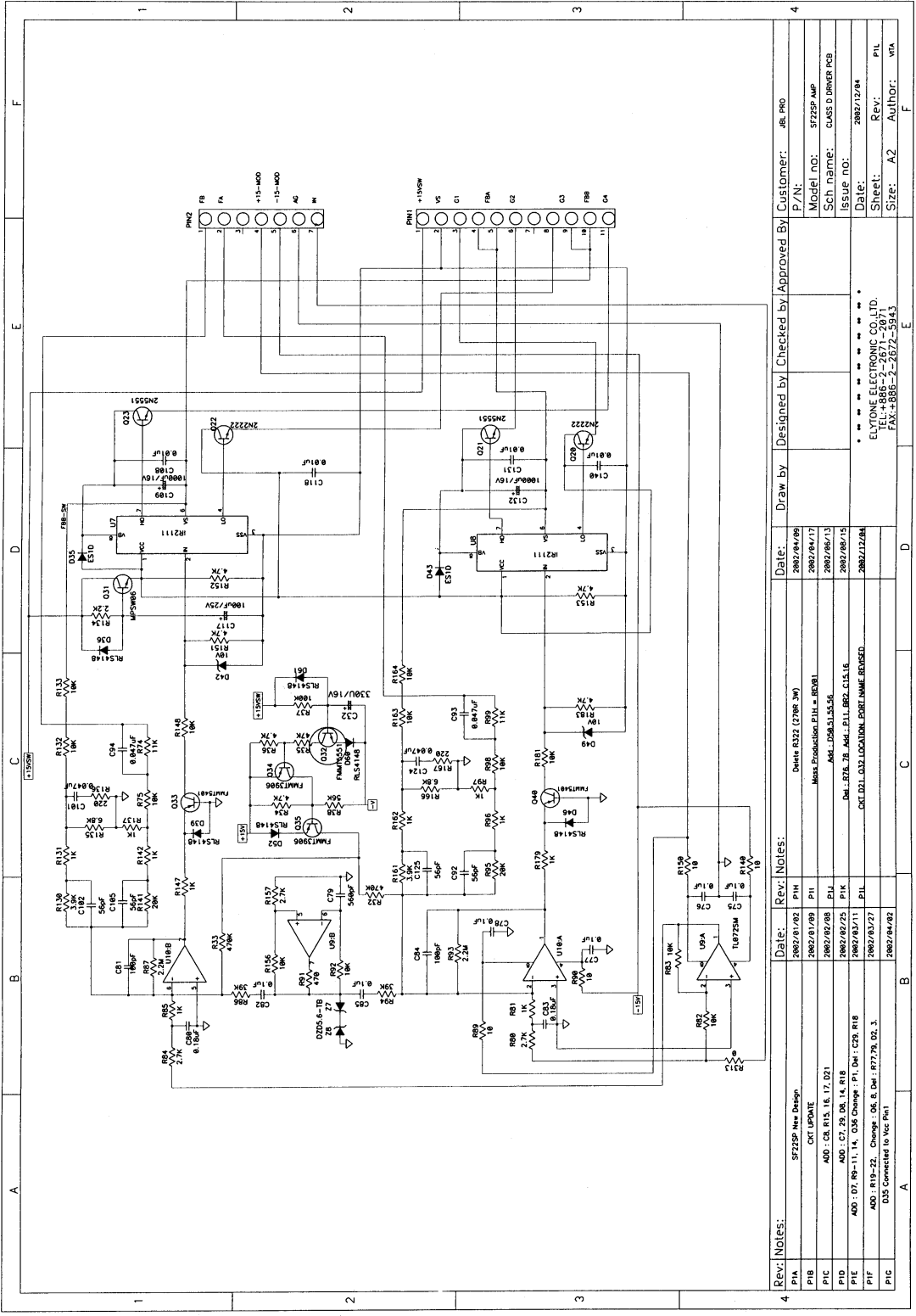


Rev/	Notes:	Date:	Rev:	Notes:	Date:	Rev:	Notes:	Draw by	Designed by	Checked by	Approved By	Customer:
P1A	SF22SP New Design	2682/01/02	P1H	DATE R322 (278R 3W)	2682/04/09							JBL PRO
P1B	OK! UPDATE	2682/01/09	P1I		2682/04/17							Model no: SF22SP AMP
P1C		2682/02/08	P1J	Mass Production P1H = REV01 Add: D08, S1, S5, S6	2682/06/13							Sch name: CLASS D AMP PCB
P1D	ADD: C7, R15, R8, 17, D21	2682/02/25	P1K	DATE: R26, ZB, A44, E11, B82, C15, L8	2682/08/15							Issue no:
P1E	ADD: D7, R9-11, 14, 036 Change: P1, OMI: C29, R18	2682/03/11	P1L	OK! D21, D13, LOCATION, PORT, NAME, REVISED	2682/12/04							Date:
P1F	ADD: R19-22, Change: O5, 8, D4, R17, R9, D3, 3	2682/03/27										Sheet:
P1G	ADD: R23 (For LM2574H Option: May No 2706) --- 3068 3M5104C119, S1, R21	2682/04/02										Rev:
												Size:
												Author:

E LYTONE ELECTRONIC CO. LTD.  
TEL: +886-2-2671-2071  
FAX: +886-2-2672-5943



Rev. Noles:	Date:	Rev. Noles:	Date:	Drawn By	Designed by	Checked by	Approved By	Customer:
P/A SF22SP New Design	2002/01/02	P/H	2002/04/09				JBL PRO	
P/B CKT UPDATE	2002/01/09	P/H	2002/04/17				P/N:	
P/C A00: CB R15, 16, 17, D21	2002/02/08	P/H	2002/06/13				Model no:	SF22SP AMP
P/D A00: C2, R8, R4, R18	2002/02/25	P/K	2002/06/13				Sch Name:	CLASS D AMP PCB
P/E A00: D7, R9-11, 14, C35 Change: P1, D4, C29, R18	2002/03/11	P/L	2002/08/15				Issue no:	
P/F A00: R19-22, Change: O6, B, D4, R77, D2, 3, D35 Connected to Voc Pin1	2002/03/27	P/L	2002/12/04				Date:	2002/12/04
P/G	2002/04/02						Sheet:	Rev: P/L
							Size:	A2 Author: VTA

\*\*\*\*\*  
 ELPTONE ELECTRONIC CO., LTD.  
 FAX: +886-2-8672-3943