

100μF

1/2W

ias
Lin

460v

V bias range ~ -35v <~> -48v

Voltages with respect to ground: +/- approximately ~ 10% variable

Change: All resistors are 1W metal film unless otherwise specified

A

B

C

D

E

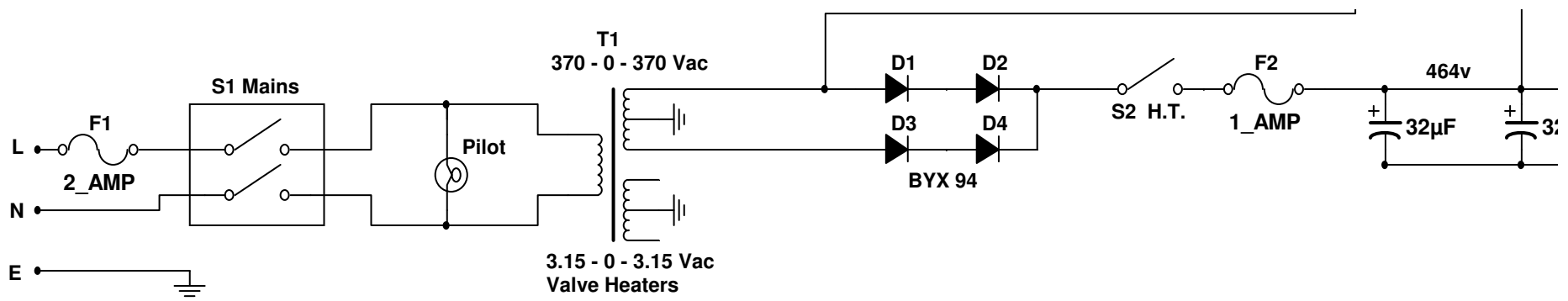
F

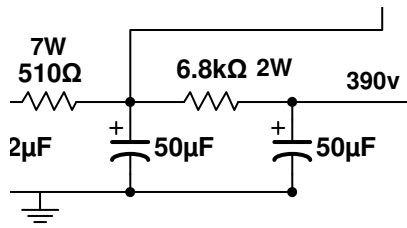
G

..

H
I
J
K
L
M
N
O

240 Vac





Title: Nolan NPB-1 50W Guitar amplifier		
Designed by: Pat Nolan	Document N: 0001	Revision: 0
Checked by: N.A	Date: 2022-01-16	Size: A2
Approved by: N.A.	Sheet 1 of 1	

H
I
J
K
L
M
N
O



11

12

13

14

15

16

17

18

19

20

21

