

SECTION 6

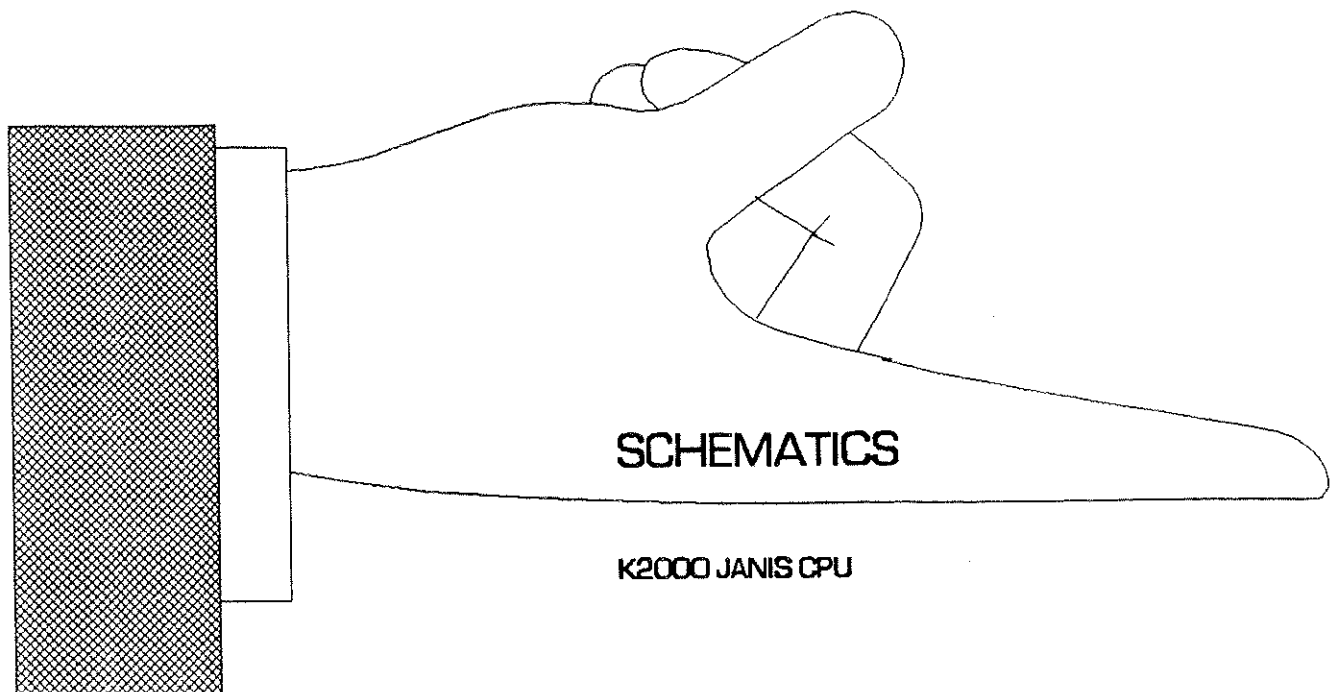
K2000 and K2000R ADDENDUM

K2000 SCHEMATICS

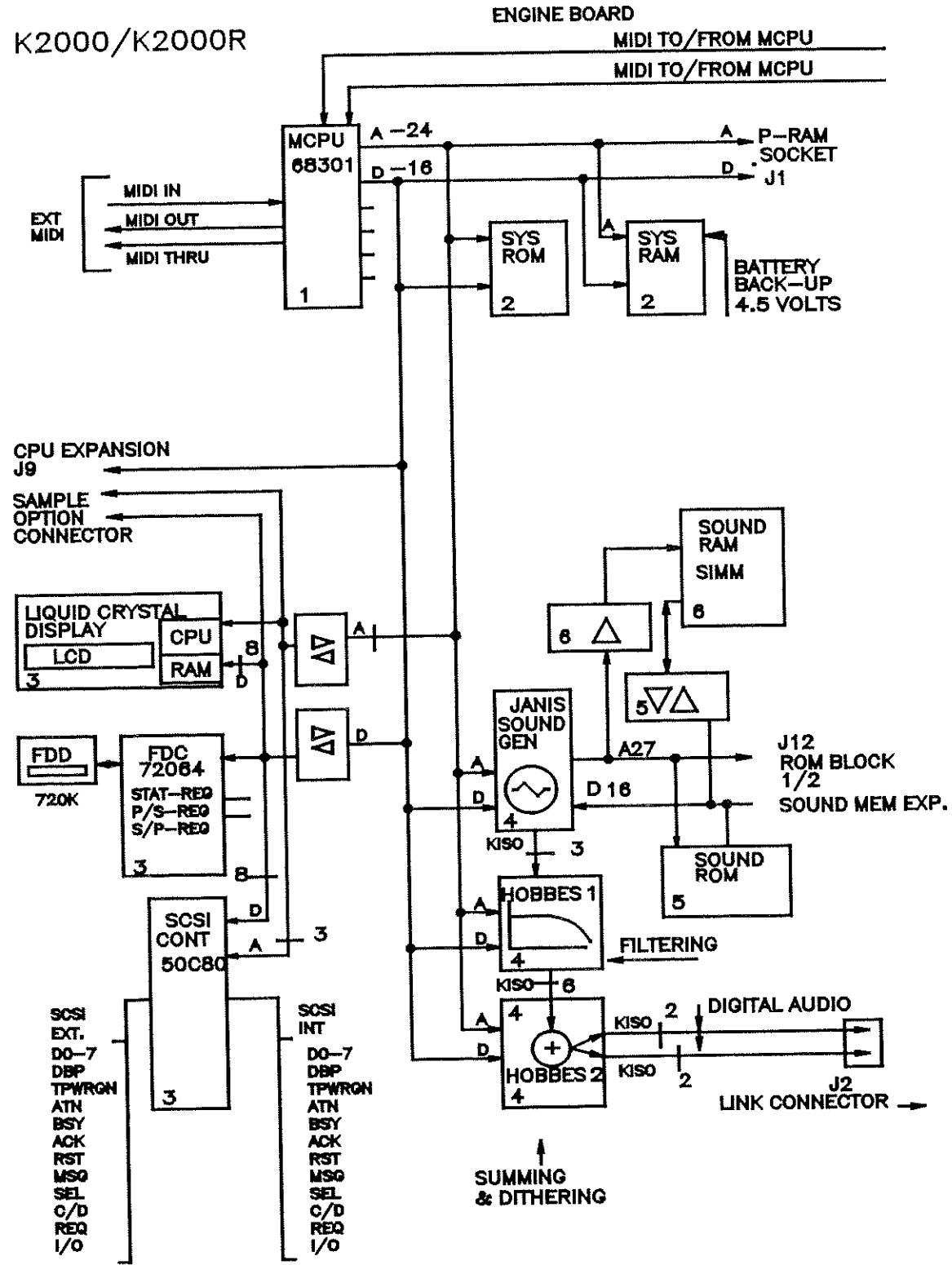
This schematic presentation is designed to be used with the block diagram script presented in section 1 based on the block diagram concept.

The circuits descriptions in section 1 is written specifically for the JANIS Engine/CPU assembly. However, a complete set of schematics are presented to allow an overall understanding of the instrument.

The text of section 1 references sheet numbers found in title blocks in lower right corner of each schematic. The flags found at various input/output points on the schematics refer to connection points to or from other schematic numbers and coordinate locations. Example; 11A2 refers to schematic 11 and coordinate A-2.

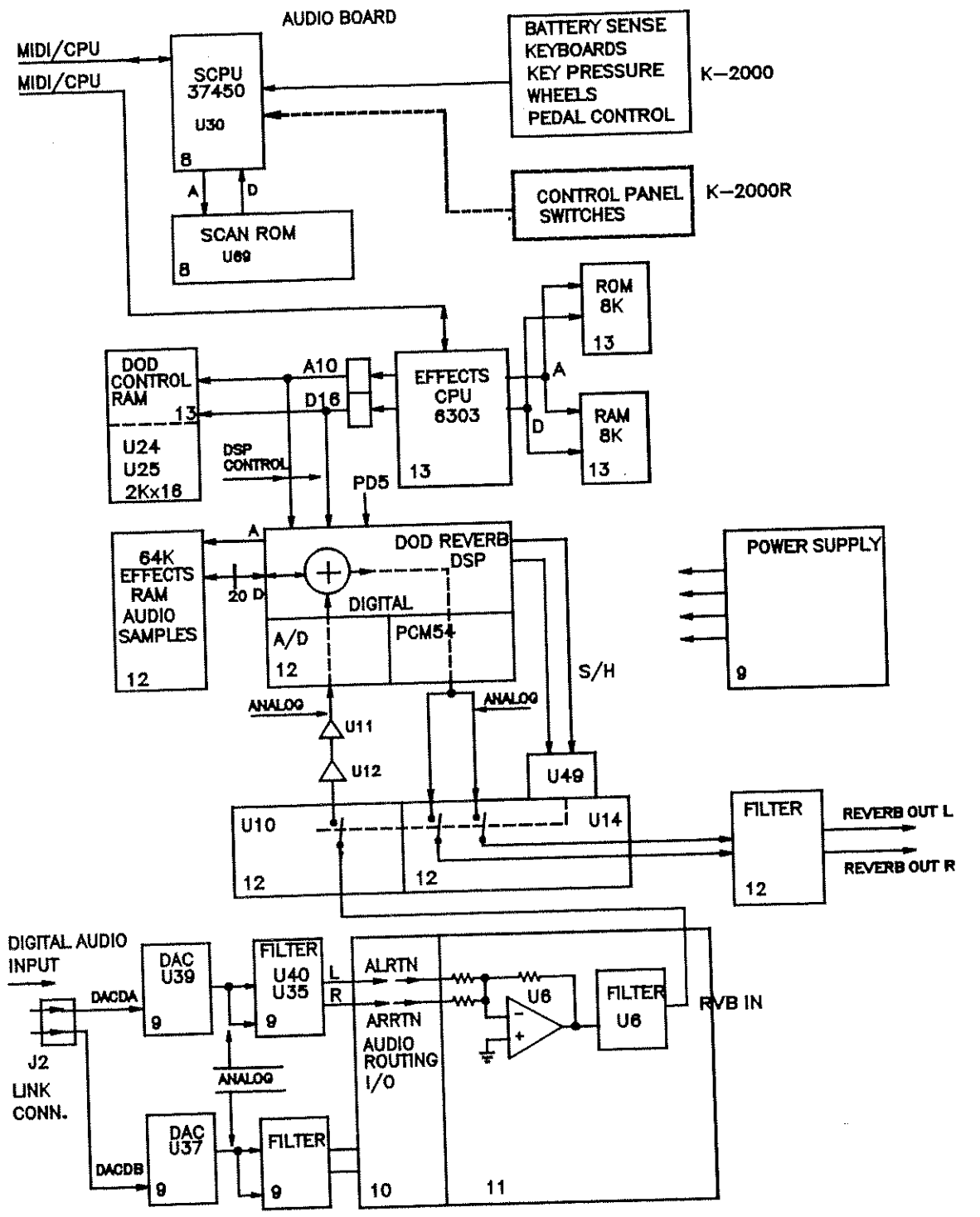


K2000/K2000R



ENGINE BOARD

K2000/K2000R



AUDIO BOARD

MEMORY HISTORY CHART

MODEL K2000 KEYBOARD

DATE: ___/___/___

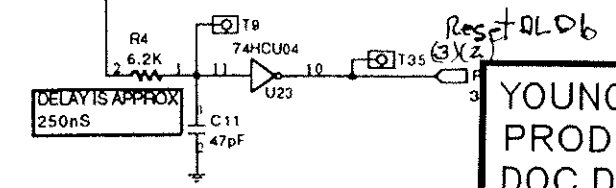
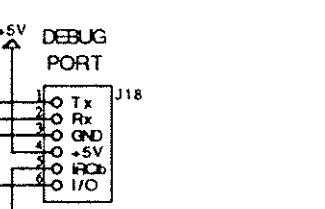
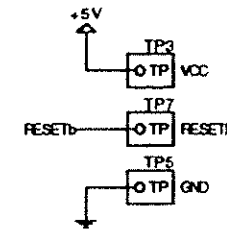
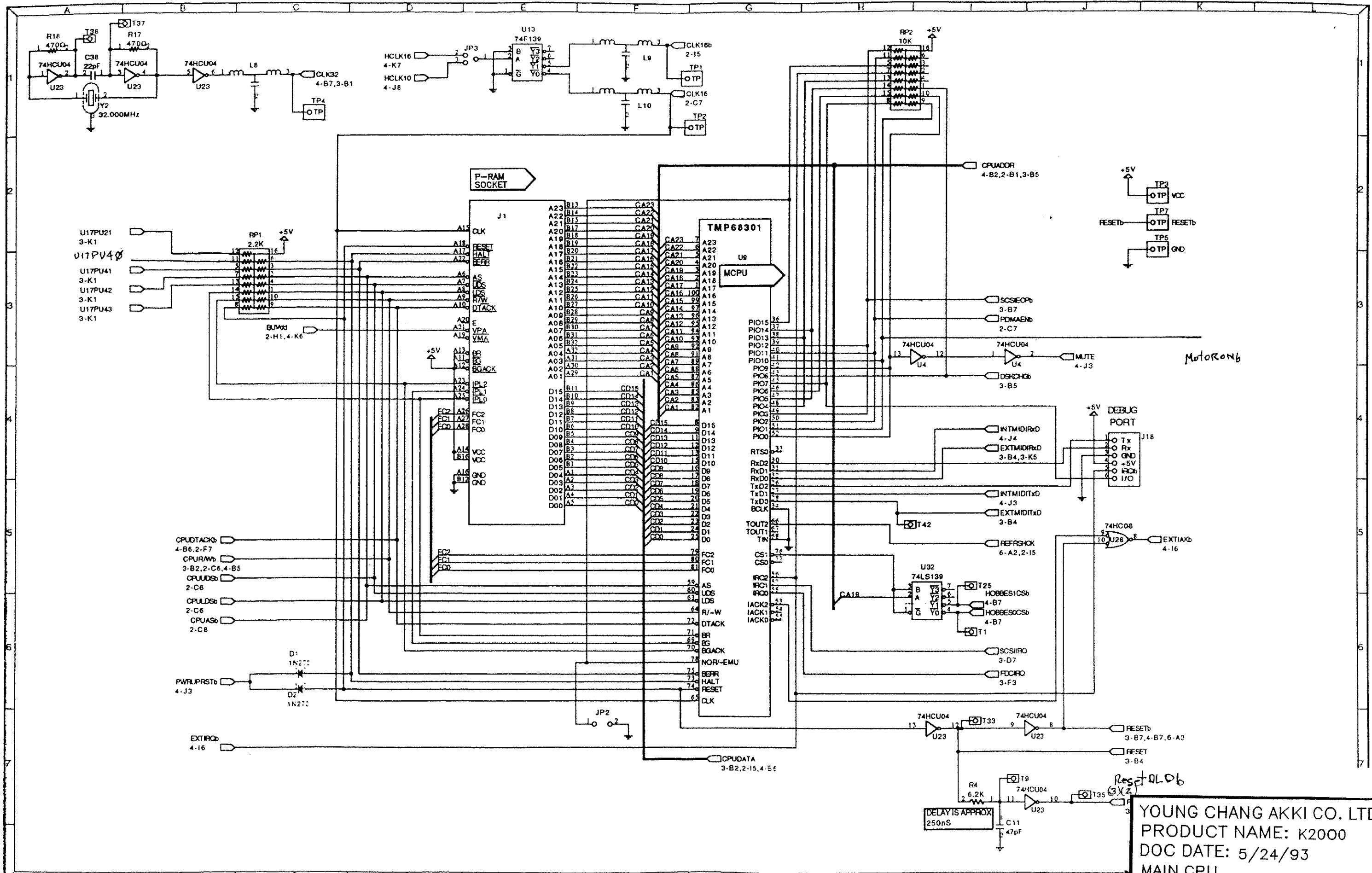
MODEL	OPTION	FAN	V1.0	V1.30	V1.30J	V2.07 / V1.30	V2.07J / 1.30J	V1.XX	V1.XX	V1.XX
JAN '92		5-92	1-92	9-92	6-93	JAN '93	JUNE '93	V1.XX	V1.XX	V1.XX
		REQUIRED	CALVIN	CALVIN	JANIS	CALVIN	JANIS	ROM-1	ROM-2	ROM 1&2
K2000	STANDARD		X	X		ENGINE & SETUP	ENGINE & SETUP	SETUP	SETUP	SETUP
K2000	STANDARD				X					
K2000	HARD DRIVE	X	X or	X or	X or	X or	X			
K2000	SIMMs	X	X or	X or	X or	X or	X			
K2000	P-RAM	X	X or	X or	X or	X or	X			
K2000	V 2.0					X				
K2000	V 2.0						X			
K2000	SAMPLER	X				X				
K2000	SAMPLER	X					X			
K2000	ROM 1	X				ENGINE	ENGINE	X		
K2000	ROM 1	X						XJ		
K2000	ROM 2	X				ENGINE	ENGINE		X	
K2000	ROM 2	X							XJ	
K2000	ROM 1&2	X				ENGINE	ENGINE			X
K2000	ROM 1&2	X								XJ

MEMORY HISTORY CHART

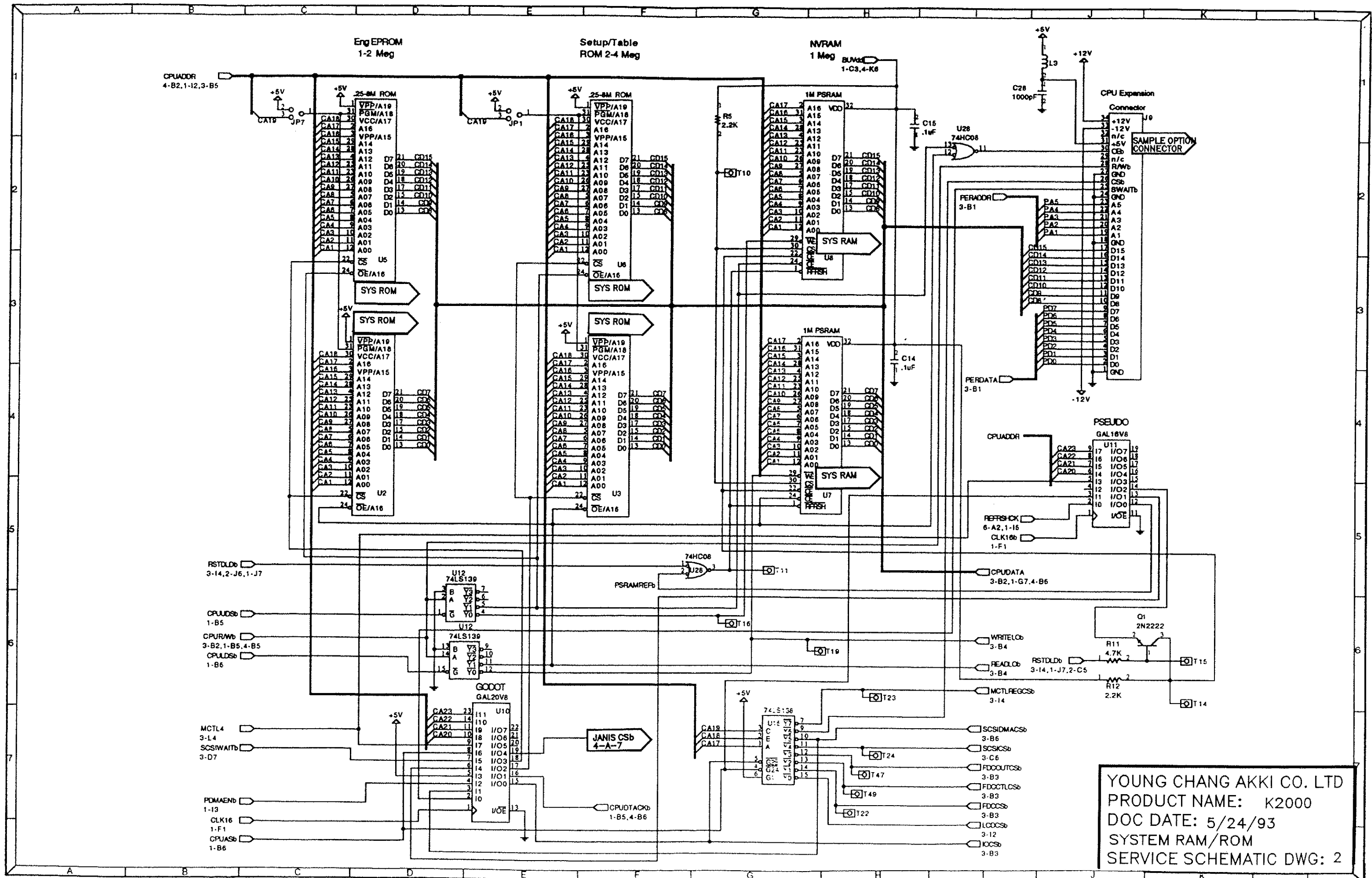
MODEL K2000 RACK MOUNT

DATE: ___/___/___

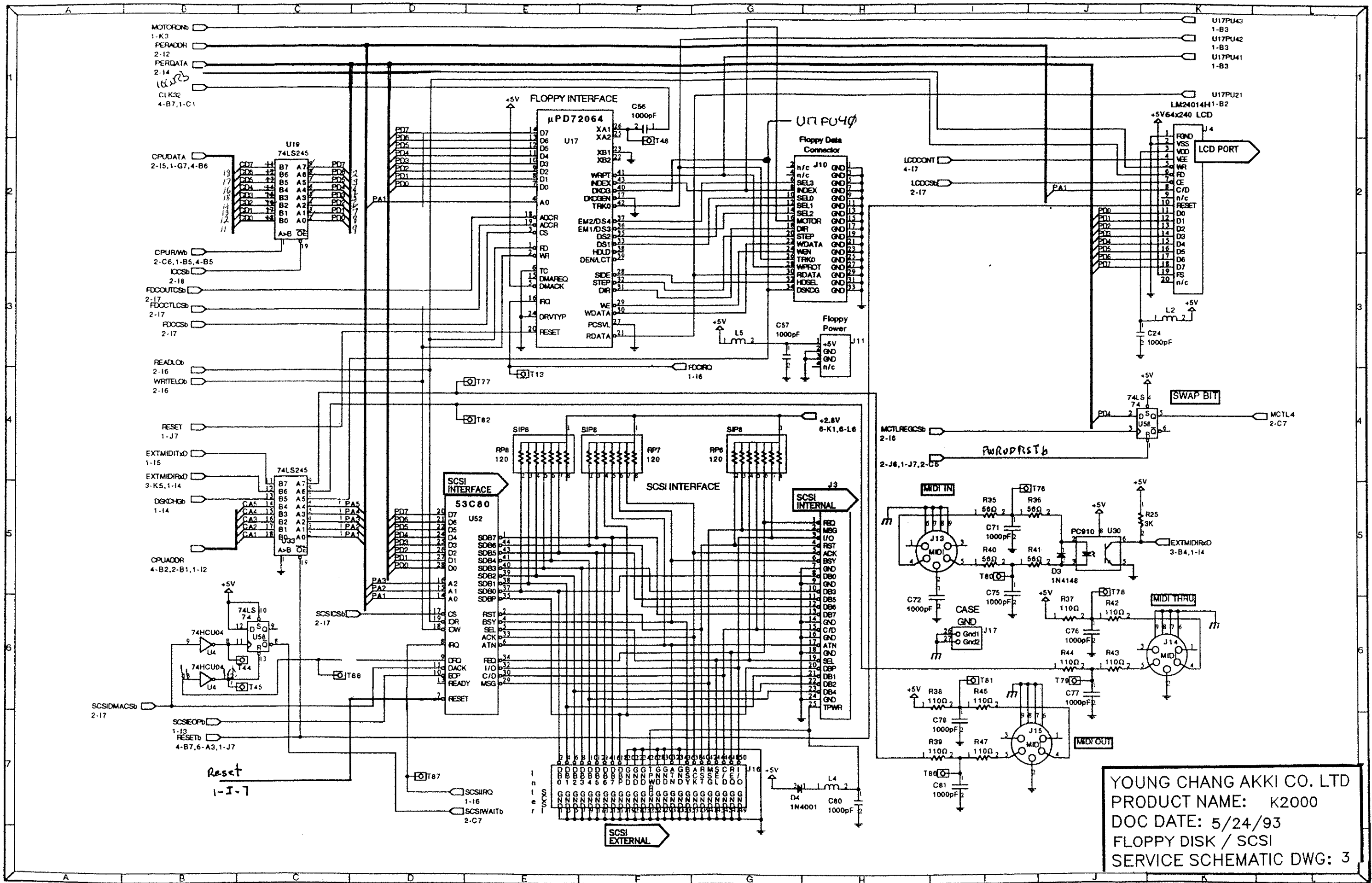
MODEL	OPTION	FAN	V1.30	V1.30J	V2.07 / V1.30	V2.07J / 1.30J	V1.XX	V1.XX	V1.XX
SEPT 92			9-92	6-92	1-92	6-92	V1.XX	V1.XX	V1.XX
		STANDARD	CALVIN	JANIS	CALVIN	JANIS	ROM-1	ROM-2	ROM 1&2
K2000R	STANDARD	X		X		ENGINE & SETUP	ENGINE & SETUP	SETUP	SETUP
K2000R	STANDARD	X		X					
K2000R	HARD DRIVE	X	X or	X or	X or	X			
K2000R	SIMMs	X	X or	X or	X or	X			
K2000R	P-RAM	X	X or	X or	X or	X			
K2000R	V 2.0				X				
K2000R	V 2.0					X			
K2000R	SAMPLER	X			X				
K2000R	SAMPLER	X				X			
K2000R	ROM 1	X			ENGINE	ENGINE	X		
K2000R	ROM 1	X					XJ		
K2000R	ROM 2	X			ENGINE	ENGINE		X	
K2000R	ROM 2	X						XJ	
K2000R	ROM 1&2	X			ENGINE	ENGINE			X
K2000R	ROM 1&2	X							XJ



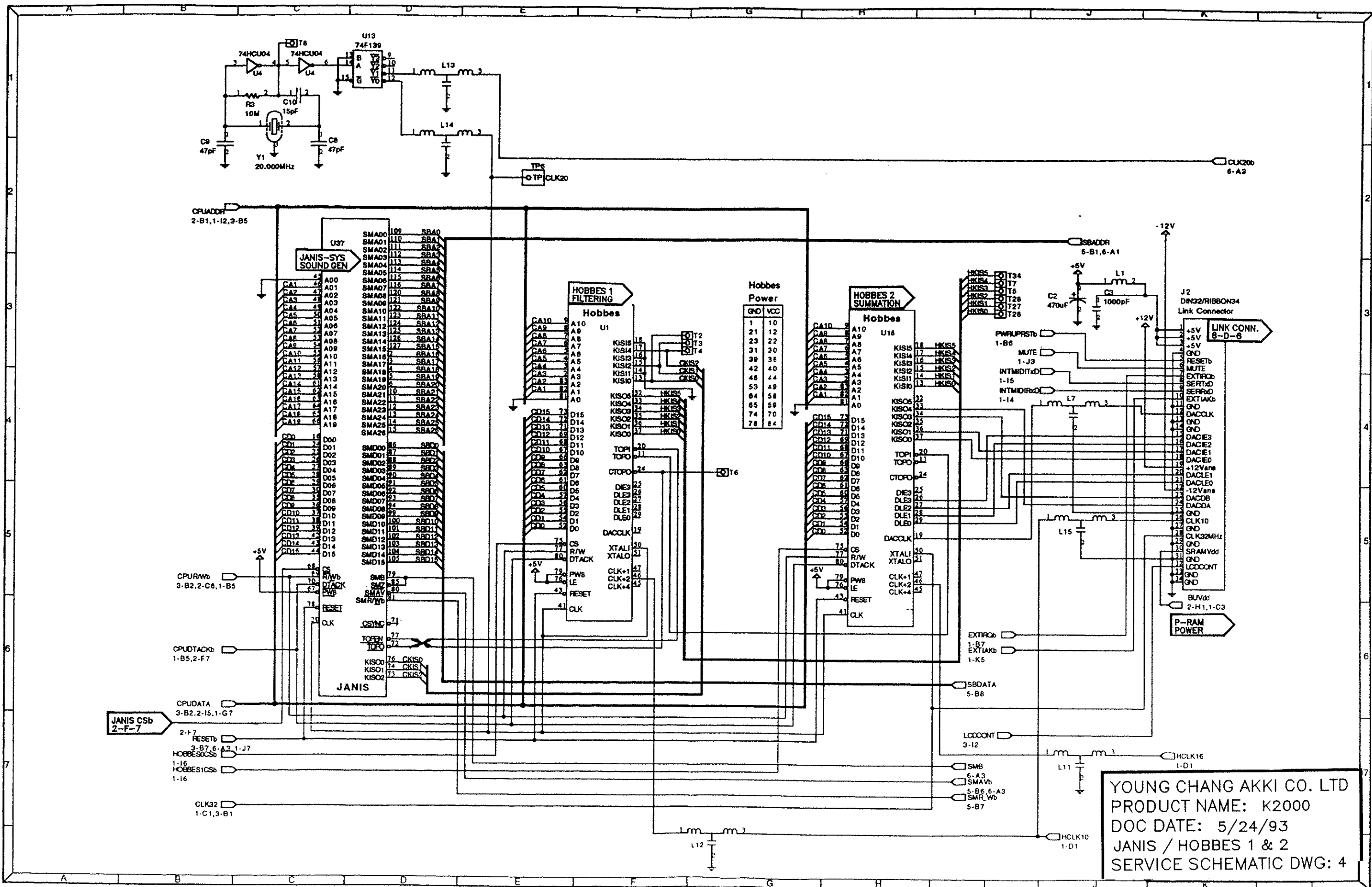
YOUNG CHANG AKKI CO. LTD
 PRODUCT NAME: K2000
 DOC DATE: 5/24/93
 MAIN CPU
 SERVICE SCHEMATIC DWG: 1



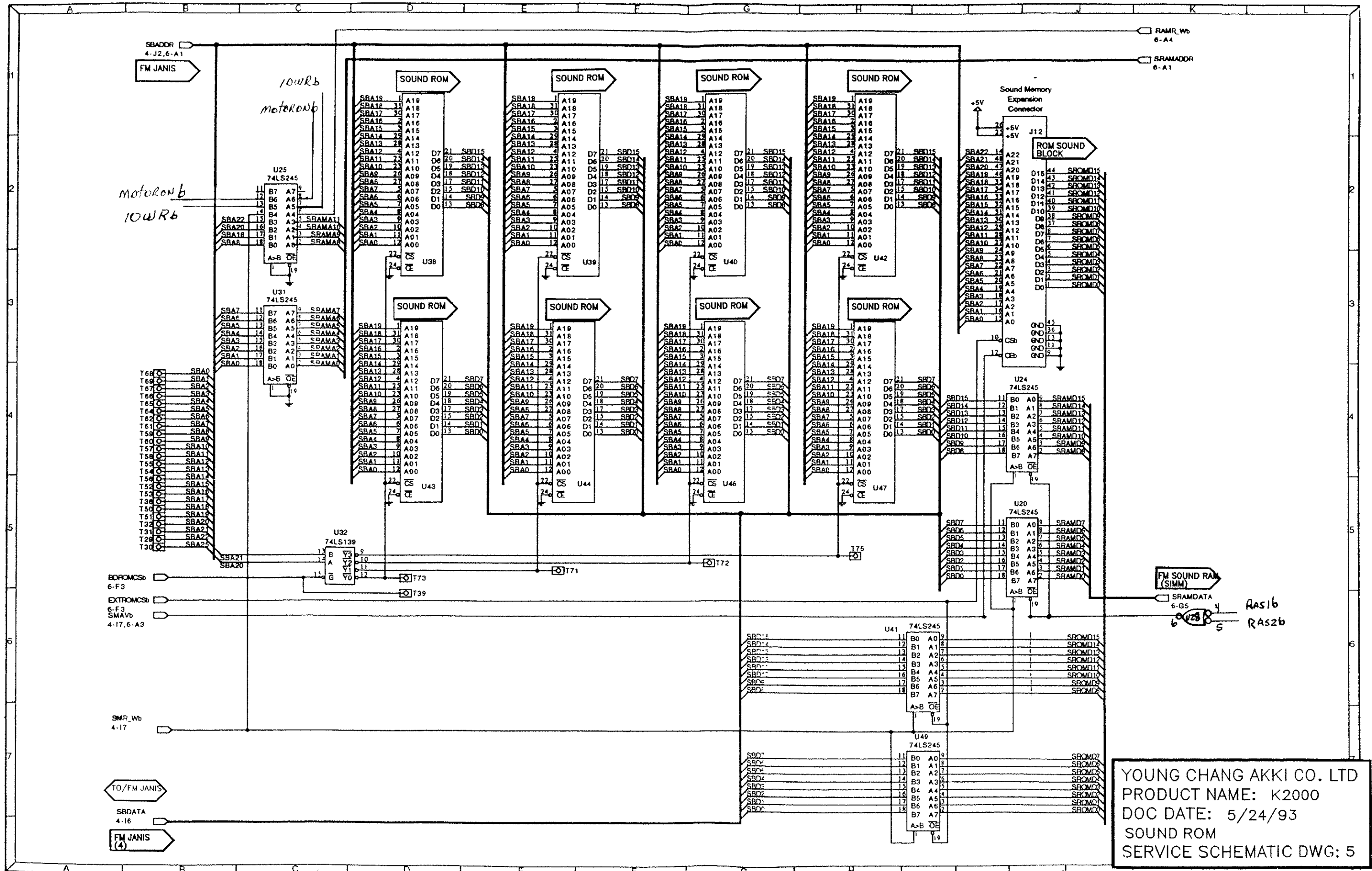
YOUNG CHANG AKKI CO. LTD
 PRODUCT NAME: K2000
 DOC DATE: 5/24/93
 SYSTEM RAM/ROM
 SERVICE SCHEMATIC DWG: 2



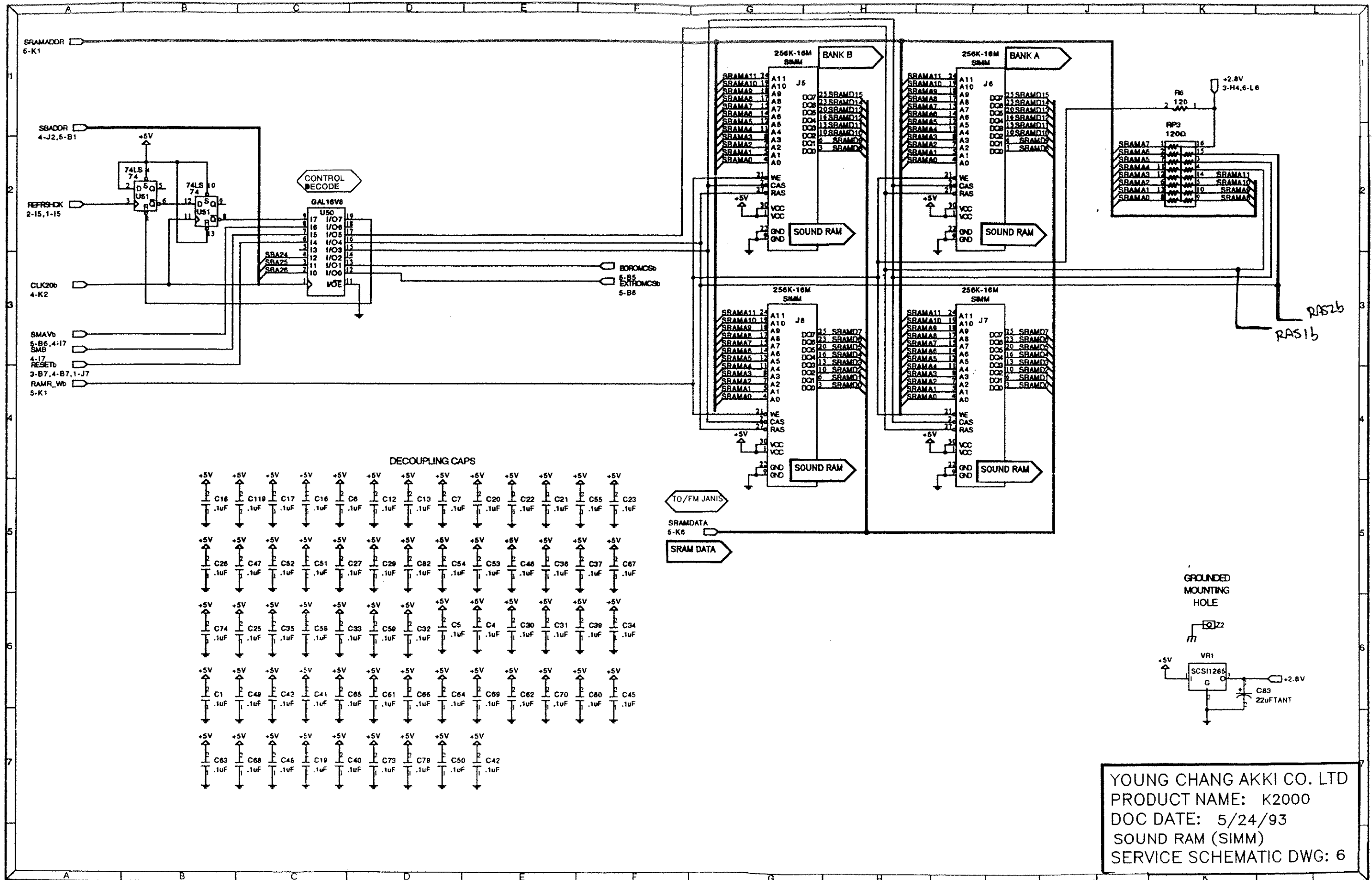
YOUNG CHANG AKKI CO. LTD
 PRODUCT NAME: K2000
 DOC DATE: 5/24/93
 FLOPPY DISK / SCSI
 SERVICE SCHEMATIC DWG: 3



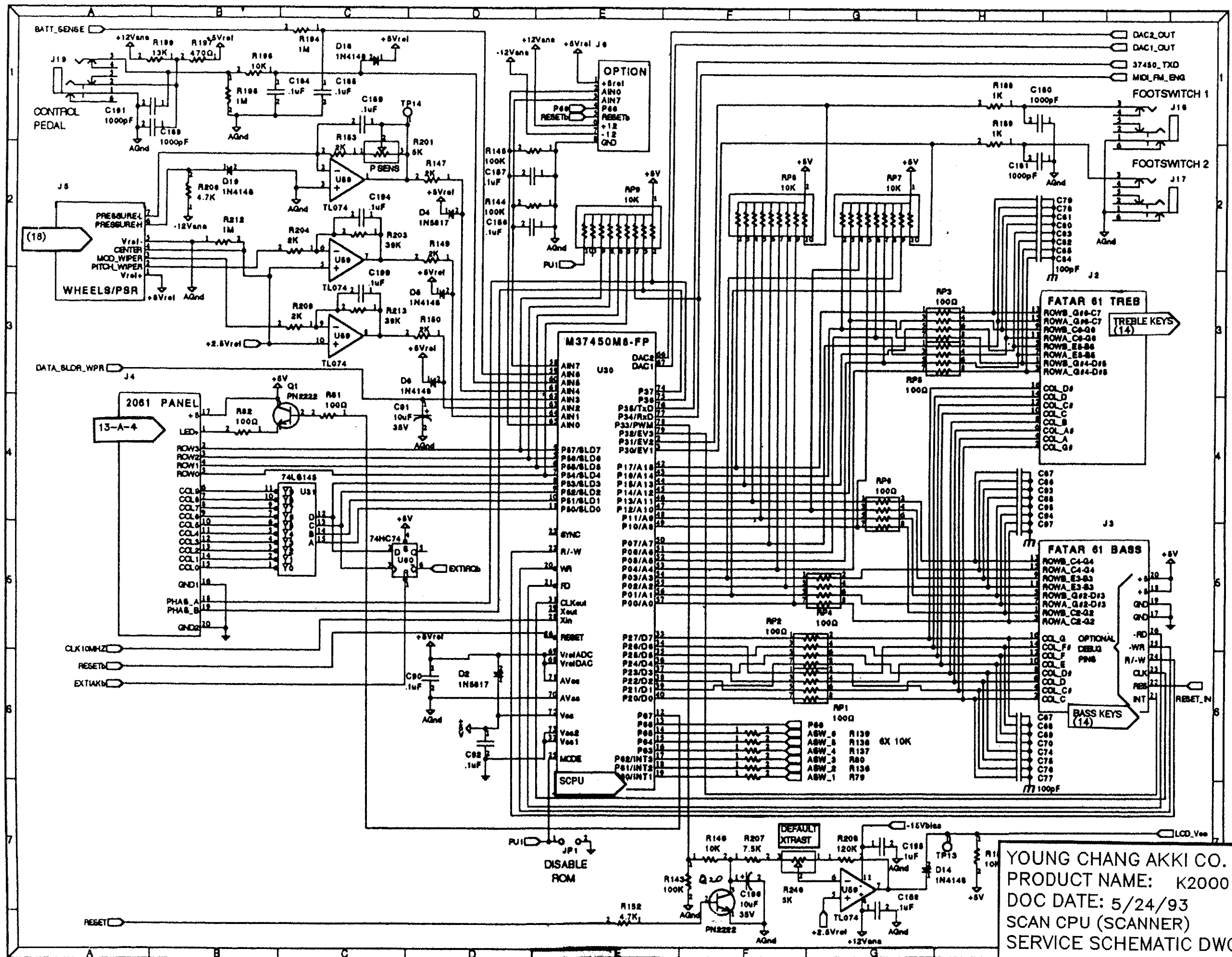
YOUNG CHANG AKKI CO. LTD
 PRODUCT NAME: K2000
 DOC DATE: 5/24/93
 JANIS / HOBBS 1 & 2
 SERVICE SCHEMATIC DWG: 4



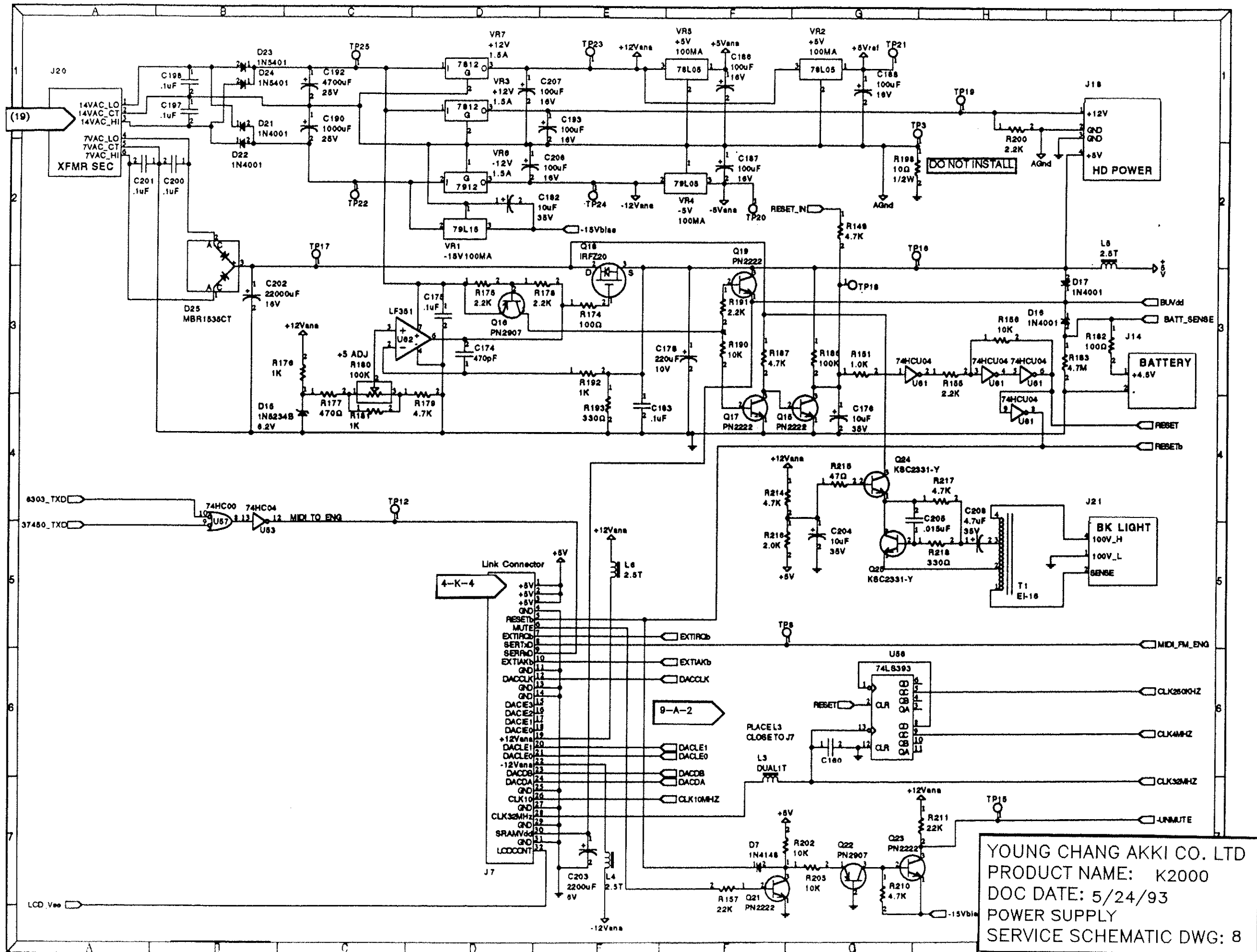
YOUNG CHANG AKKI CO. LTD
 PRODUCT NAME: K2000
 DOC DATE: 5/24/93
 SOUND ROM
 SERVICE SCHEMATIC DWG: 5



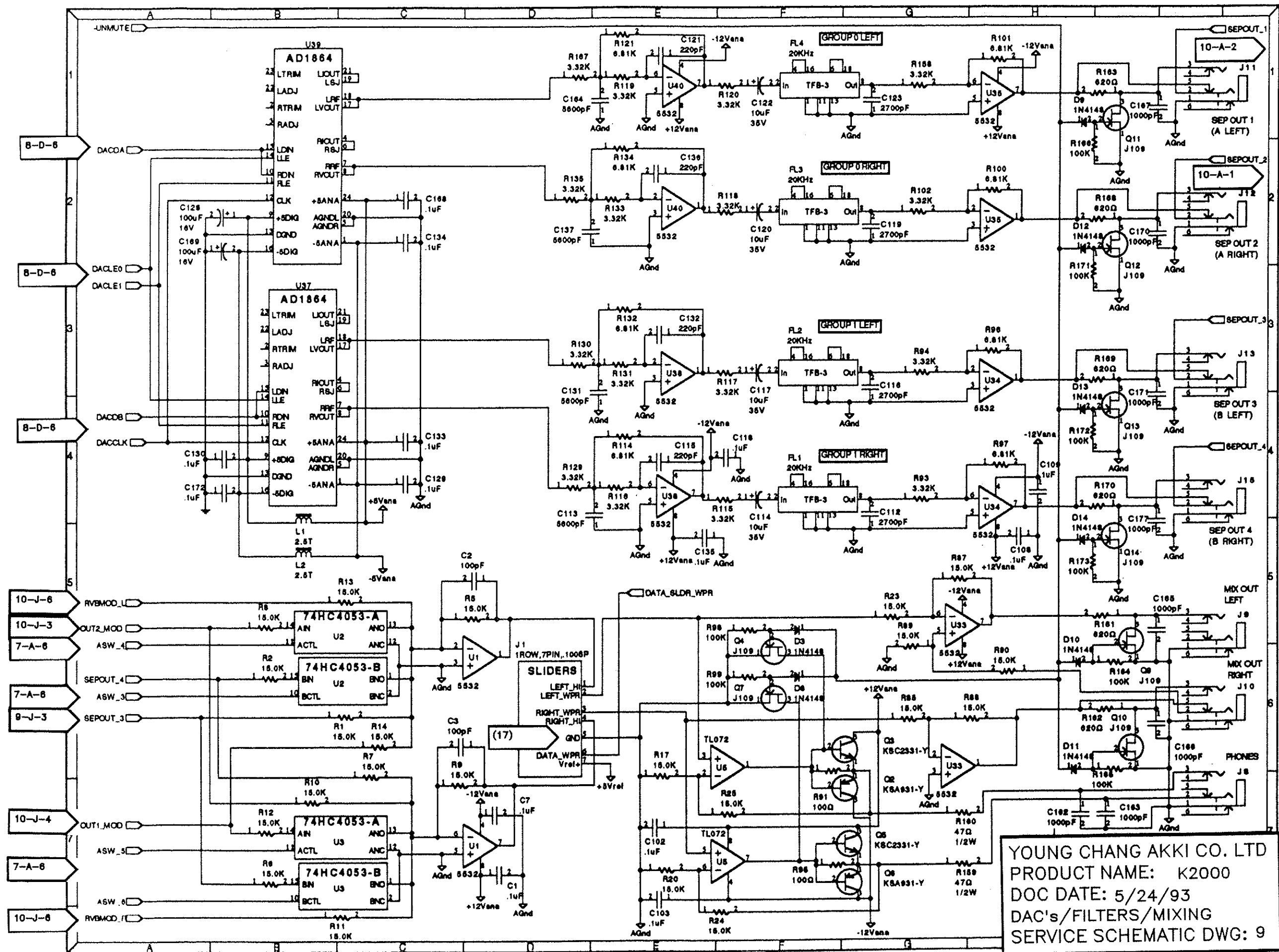
YOUNG CHANG AKKI CO. LTD
 PRODUCT NAME: K2000
 DOC DATE: 5/24/93
 SOUND RAM (SIMM)
 SERVICE SCHEMATIC DWG: 6



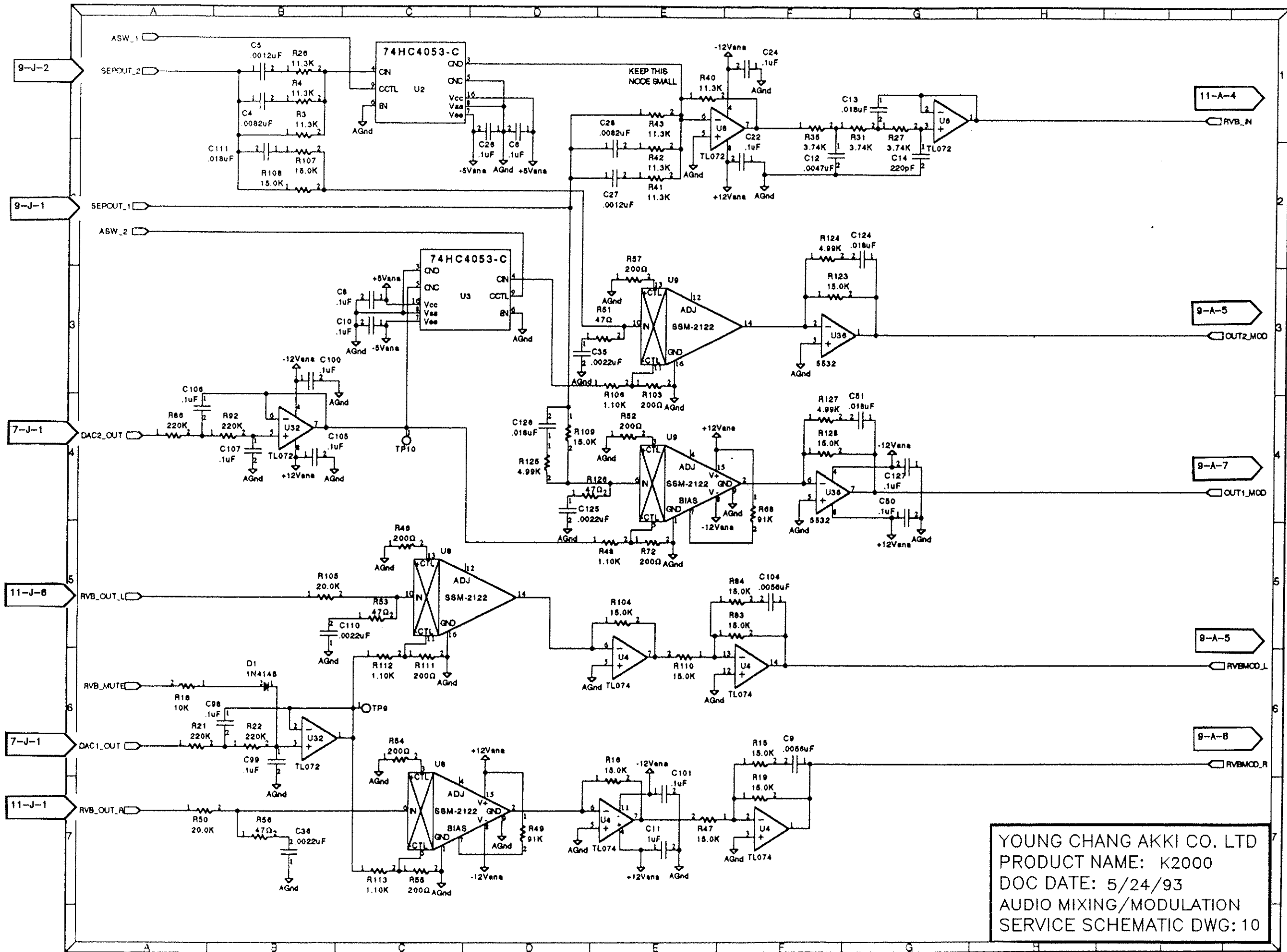
YOUNG CHANG AKKI CO. LTD
 PRODUCT NAME: K2000
 DOC DATE: 5/24/93
 SCAN CPU (SCANNER)
 SERVICE SCHEMATIC DWG: 7



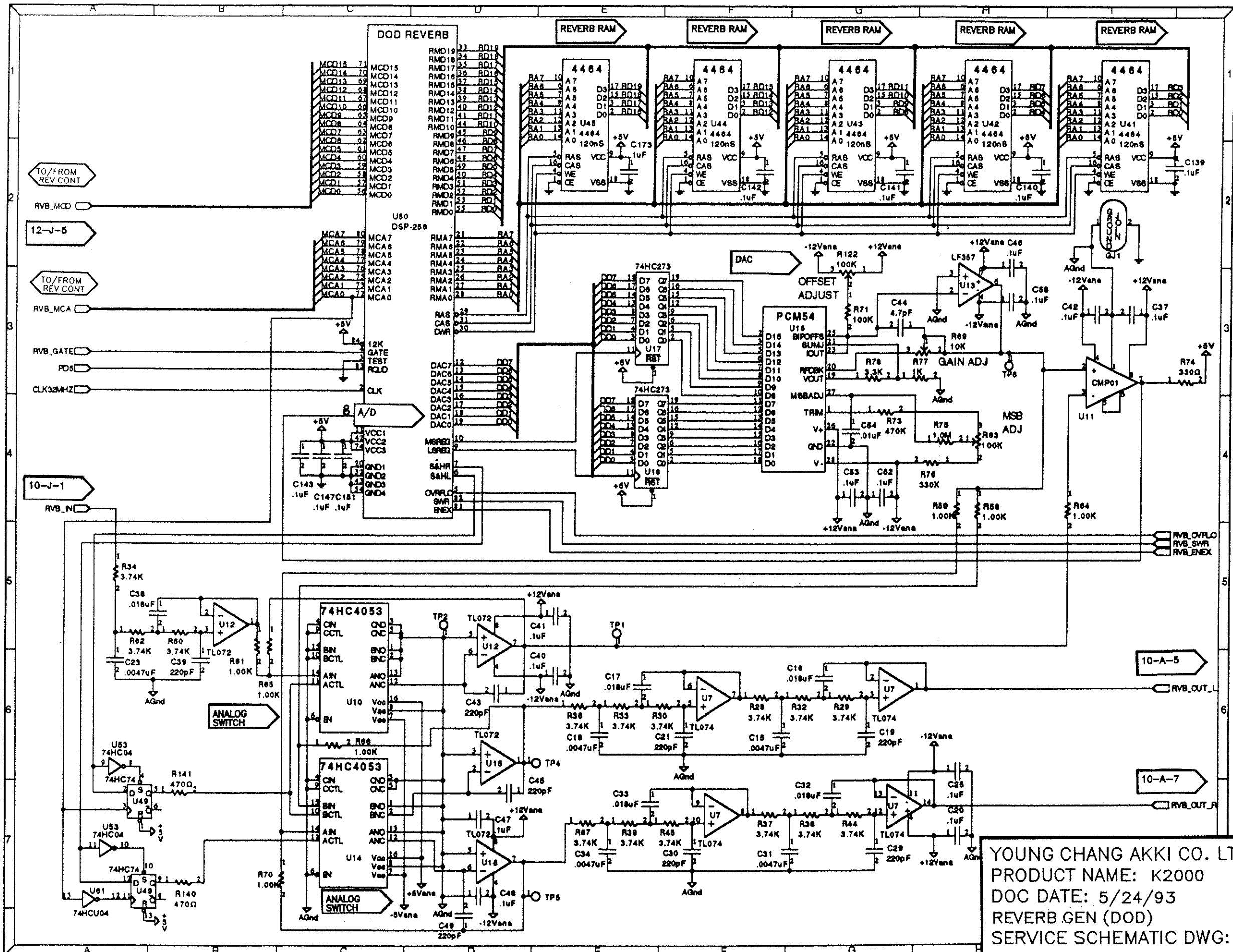
YOUNG CHANG AKKI CO. LTD
 PRODUCT NAME: K2000
 DOC DATE: 5/24/93
 POWER SUPPLY
 SERVICE SCHEMATIC DWG: 8



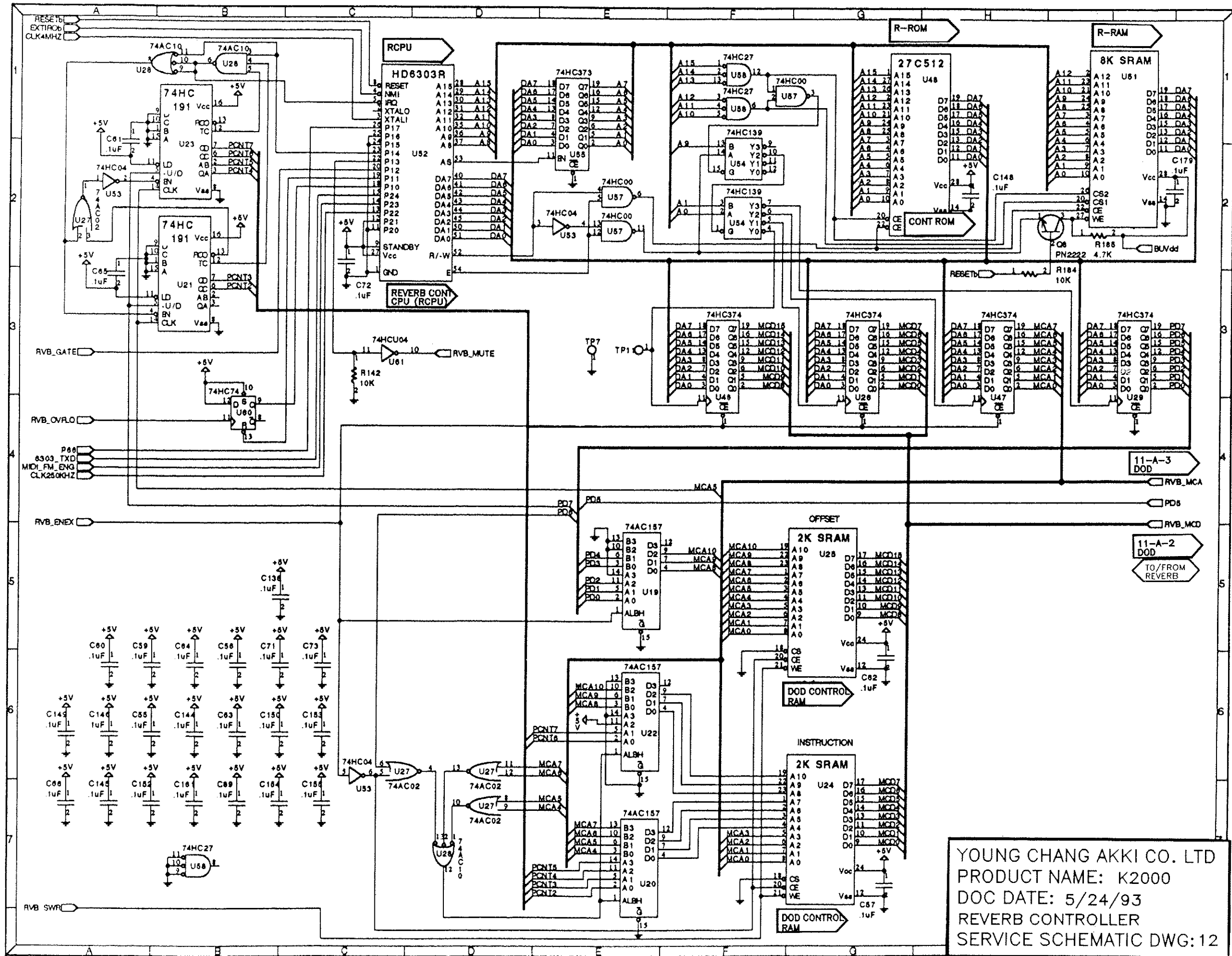
YOUNG CHANG AKKI CO. LTD
 PRODUCT NAME: K2000
 DOC DATE: 5/24/93
 DAC'S/FILTERS/MIXING
 SERVICE SCHEMATIC DWG: 9



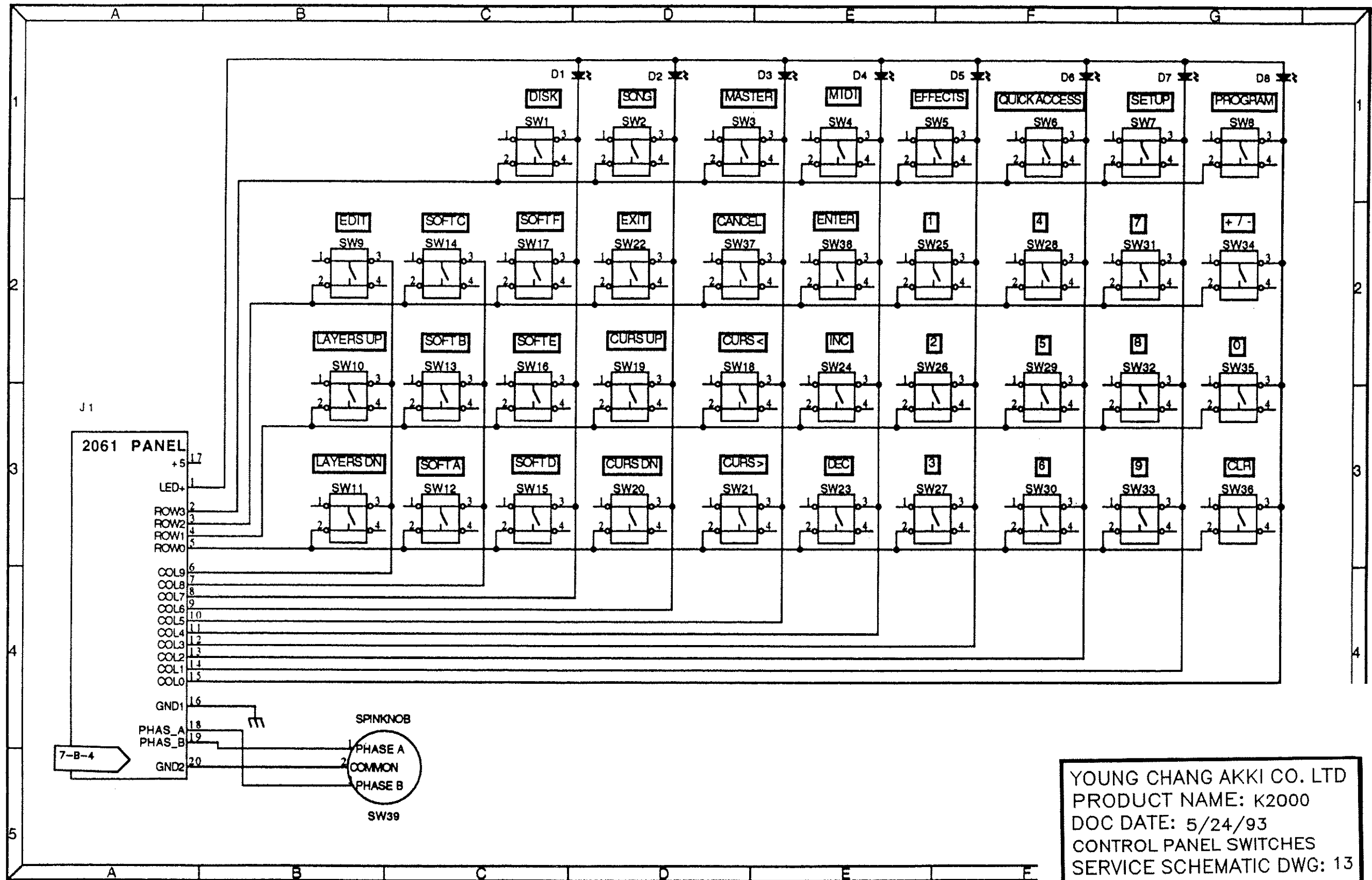
YOUNG CHANG AKKI CO. LTD
 PRODUCT NAME: K2000
 DOC DATE: 5/24/93
 AUDIO MIXING/MODULATION
 SERVICE SCHEMATIC DWG: 10



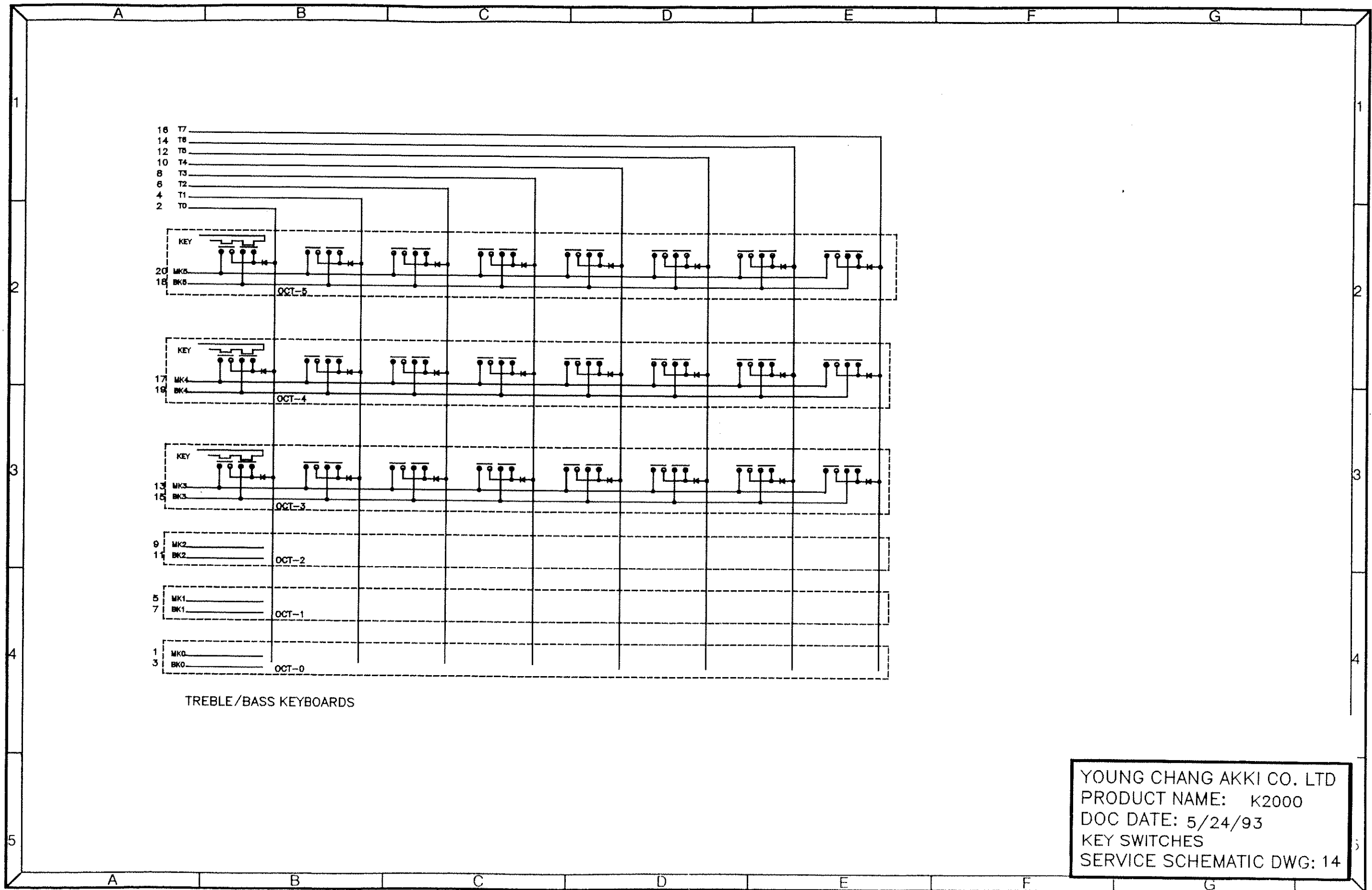
YOUNG CHANG AKKI CO. LTD
 PRODUCT NAME: K2000
 DOC DATE: 5/24/93
 REVERB GEN (DOD)
 SERVICE SCHEMATIC DWG: 11



YOUNG CHANG AKKI CO. LTD
 PRODUCT NAME: K2000
 DOC DATE: 5/24/93
 REVERB CONTROLLER
 SERVICE SCHEMATIC DWG:12



YOUNG CHANG AKKI CO. LTD
 PRODUCT NAME: K2000
 DOC DATE: 5/24/93
 CONTROL PANEL SWITCHES
 SERVICE SCHEMATIC DWG: 13

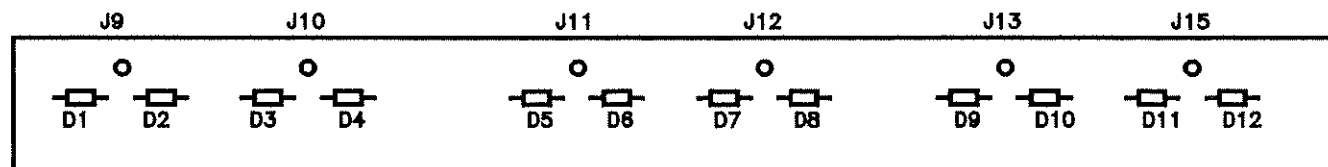
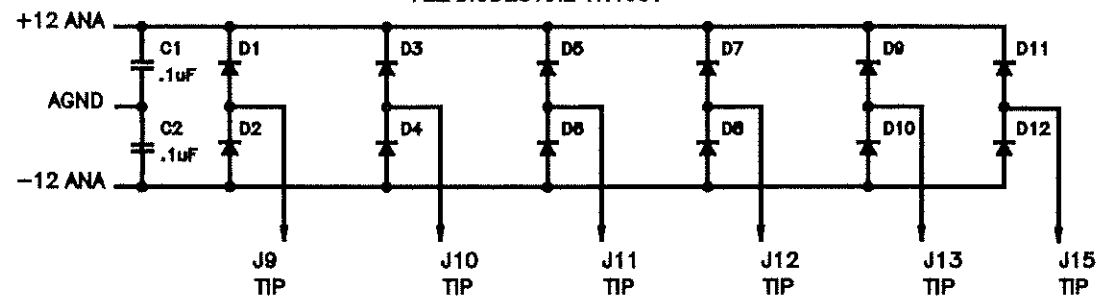


TREBLE/BASS KEYBOARDS

YOUNG CHANG AKKI CO. LTD
 PRODUCT NAME: K2000
 DOC DATE: 5/24/93
 KEY SWITCHES
 SERVICE SCHEMATIC DWG: 14

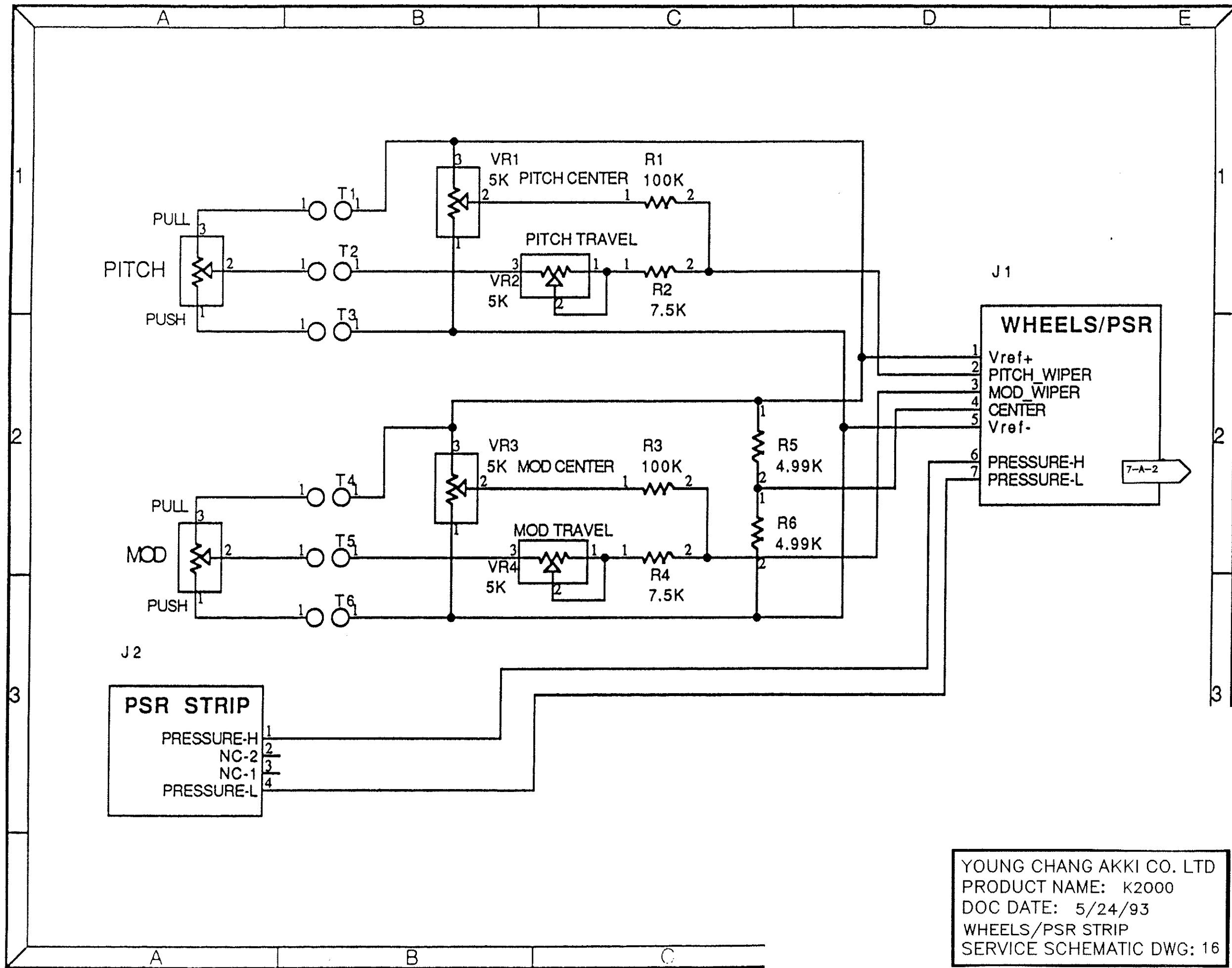
FET PROTECTION NETWORK BOARD FOR K2000

ALL DIODES ARE 1N4001

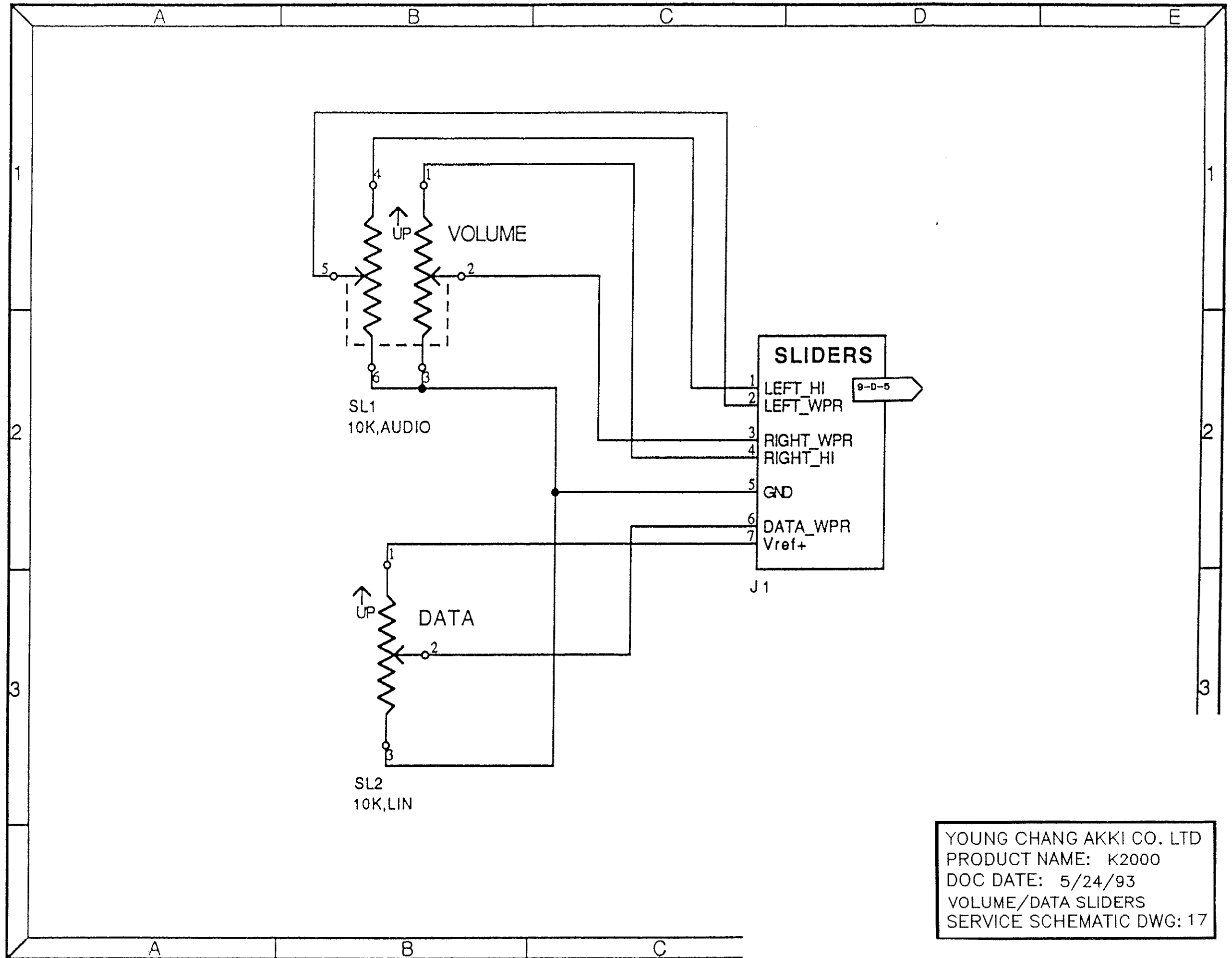


MOUNT BOARD TO REAR OF JACKS J9-J15 WITH DOUBLE-STICK FOAM
 SOLDER WIRES DIRETLY TO TIP CONTACT OF J9-J15
 CONNECT WIRES TO: +12 at U35-8; -12 at U35-8; AGND at U35-5

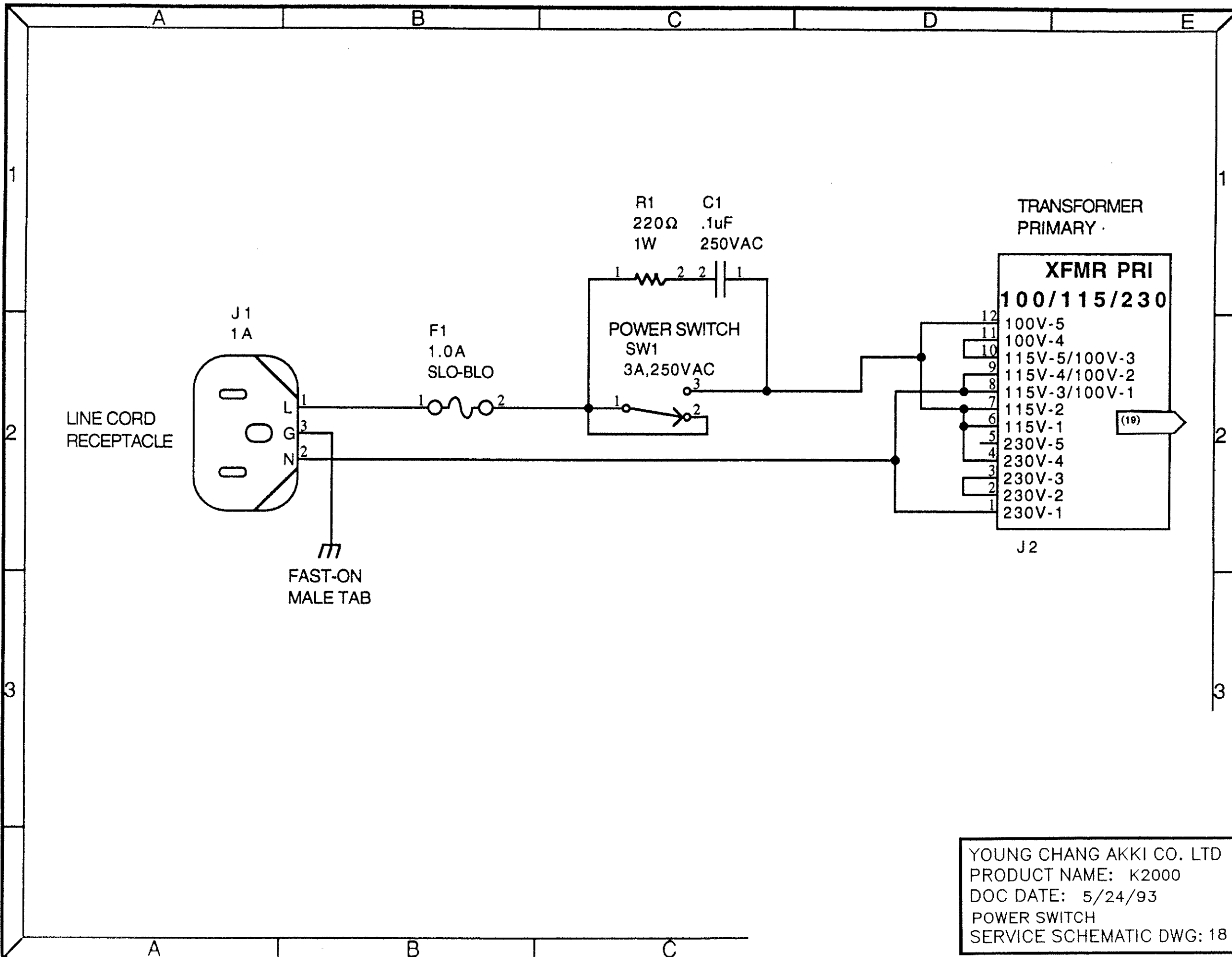
YOUNG CHANG AKKI CO. LTD
 PRODUCT NAME: K2000
 DOC DATE: 5/24/93
 FET PROTECTION BOARD
 SERVICE SCHEMATIC DWG: 15



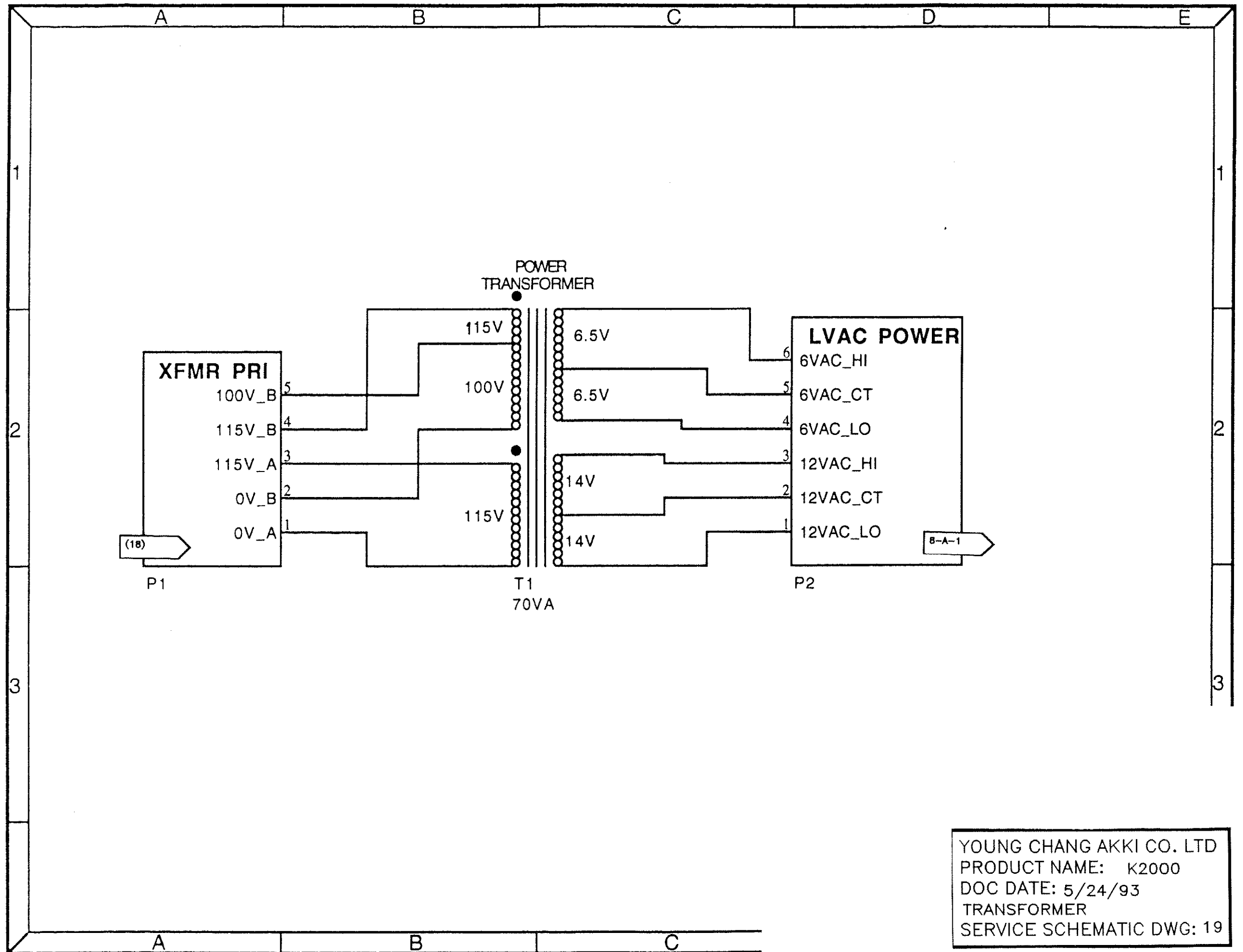
YOUNG CHANG AKKI CO. LTD
 PRODUCT NAME: K2000
 DOC DATE: 5/24/93
 WHEELS/PSR STRIP
 SERVICE SCHEMATIC DWG: 16



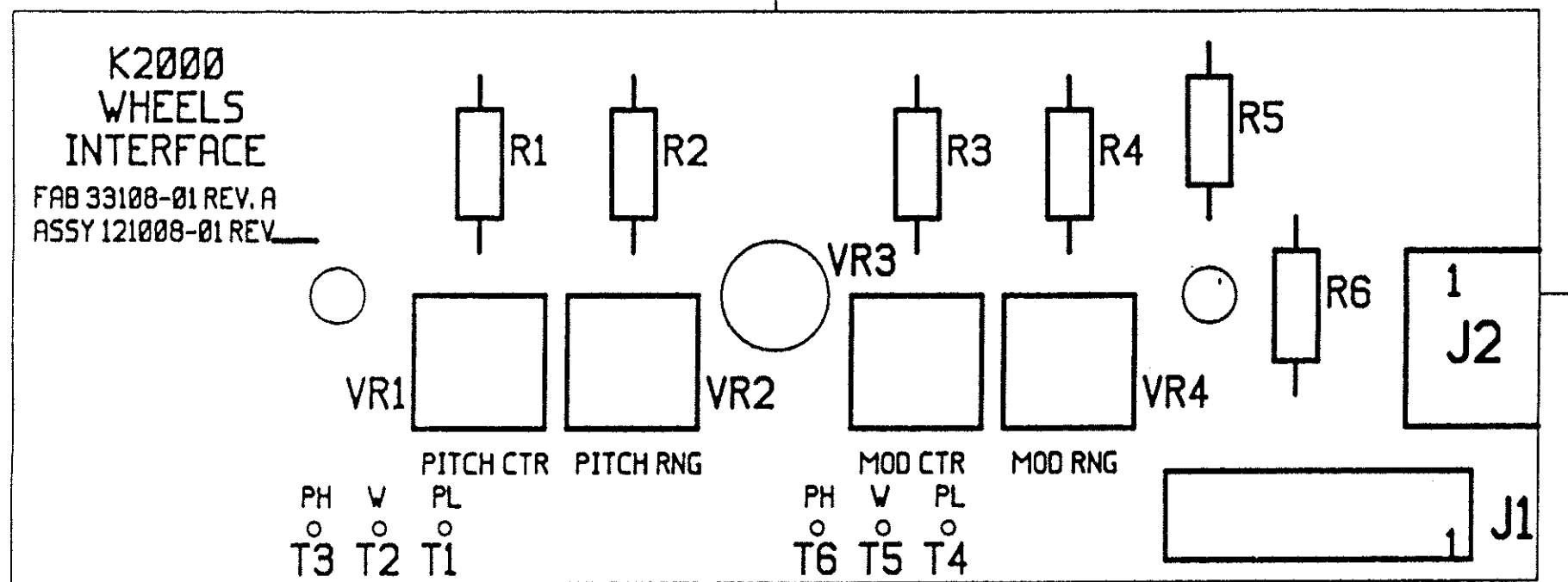
YOUNG CHANG AKKI CO. LTD
 PRODUCT NAME: K2000
 DOC DATE: 5/24/93
 VOLUME/DATA SLIDERS
 SERVICE SCHEMATIC DWG: 17



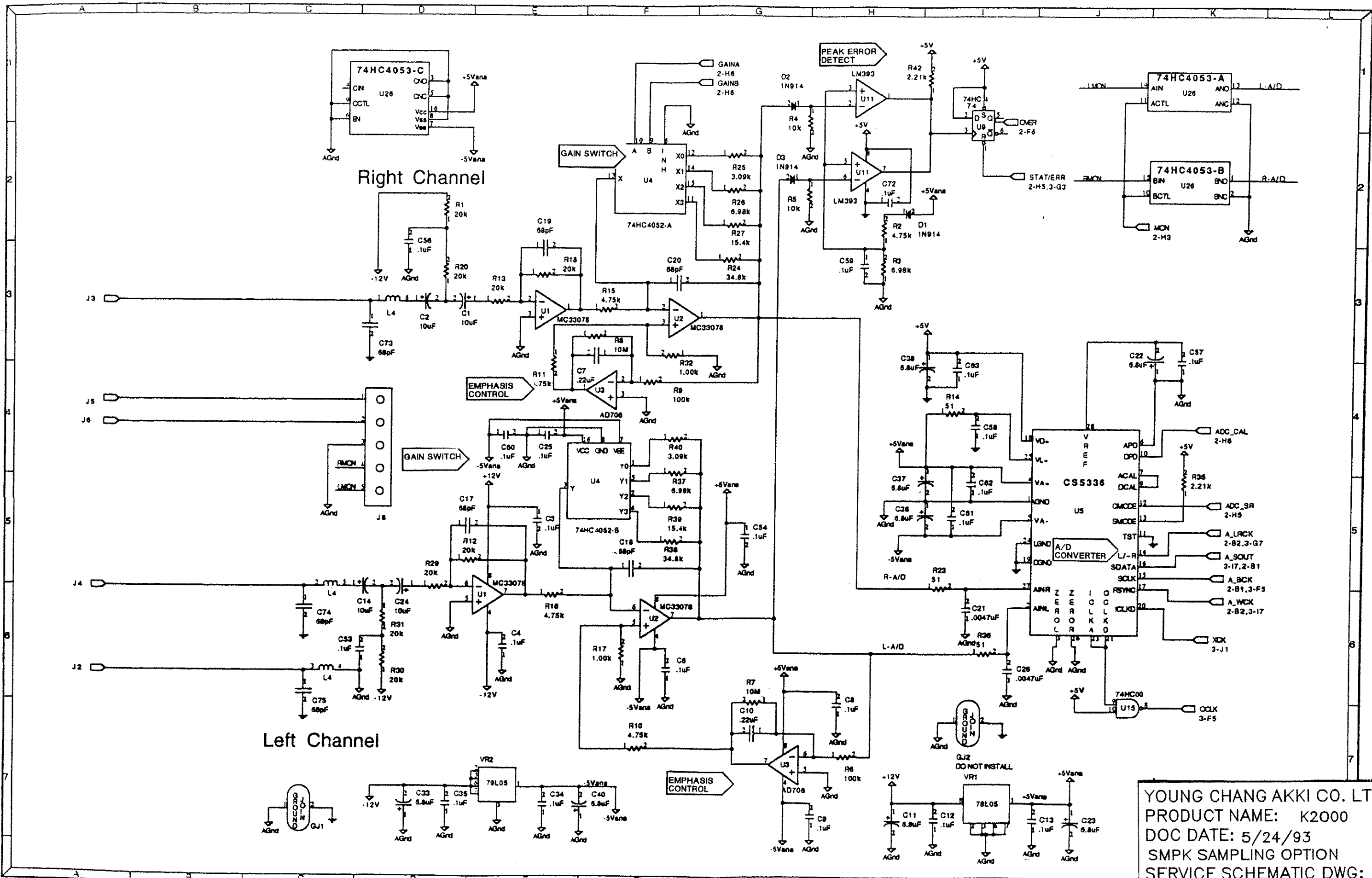
YOUNG CHANG AKKI CO. LTD
 PRODUCT NAME: K2000
 DOC DATE: 5/24/93
 POWER SWITCH
 SERVICE SCHEMATIC DWG: 18



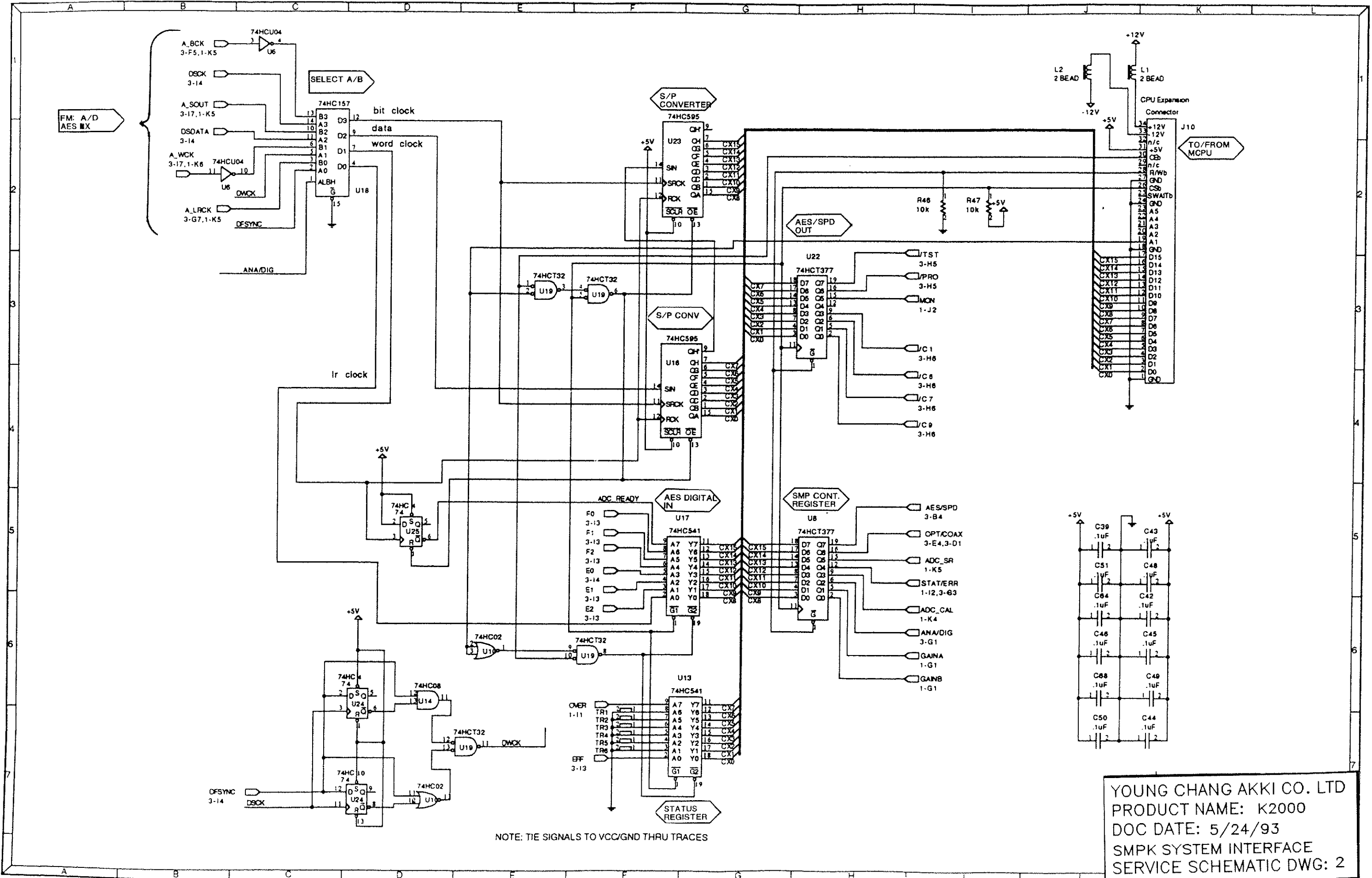
YOUNG CHANG AKKI CO. LTD
 PRODUCT NAME: K2000
 DOC DATE: 5/24/93
 TRANSFORMER
 SERVICE SCHEMATIC DWG: 19



YOUNG CHANG AKKI CO. LTD
 PRODUCT NAME: K2000
 DOC DATE: 5/24/93
 WHEELS LAYOUT
 SERVICE SCHEMATIC DWG: 20

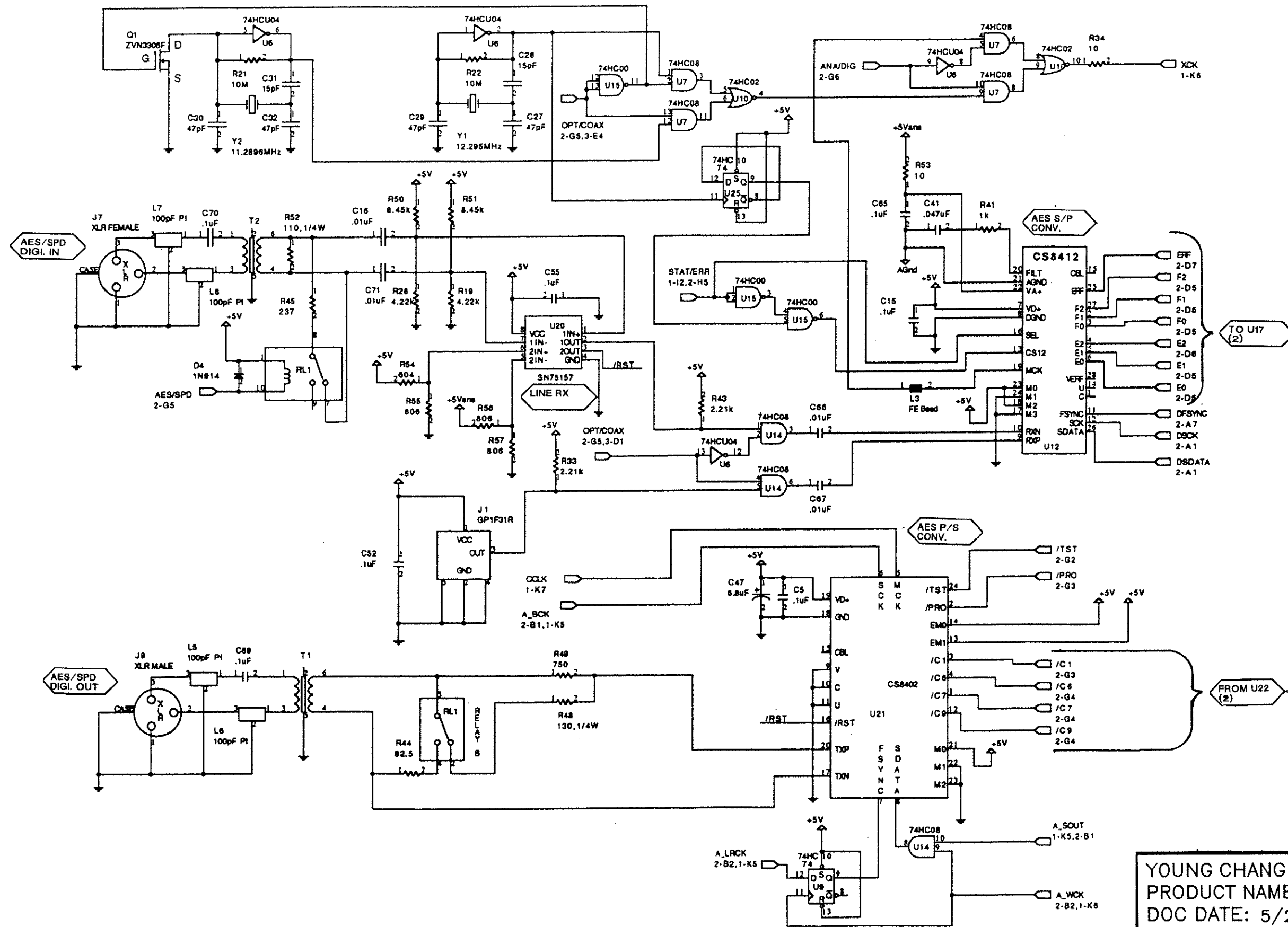


YOUNG CHANG AKKI CO. LTD
 PRODUCT NAME: K2000
 DOC DATE: 5/24/93
 SMPK SAMPLING OPTION
 SERVICE SCHEMATIC DWG: 1

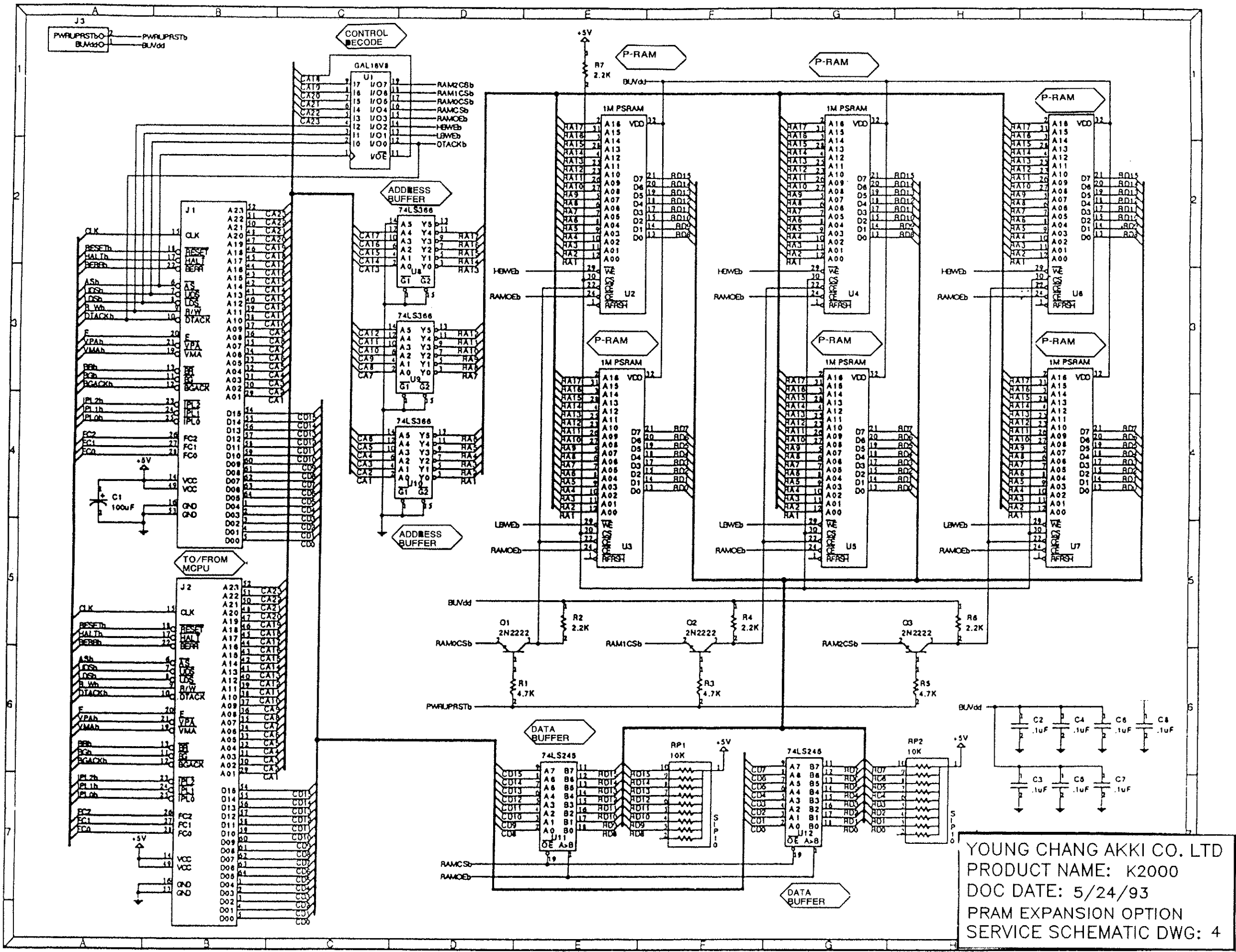


NOTE: TIE SIGNALS TO VCC/GND THRU TRACES

YOUNG CHANG AKKI CO. LTD
 PRODUCT NAME: K2000
 DOC DATE: 5/24/93
 SMPK SYSTEM INTERFACE
 SERVICE SCHEMATIC DWG: 2



YOUNG CHANG AKKI CO. LTD
 PRODUCT NAME: K2000
 DOC DATE: 5/24/93
 SMPK DIGITAL INTERFACE
 SERVICE SCHEMATIC DWG: 3



YOUNG CHANG AKKI CO. LTD
 PRODUCT NAME: K2000
 DOC DATE: 5/24/93
 PRAM EXPANSION OPTION
 SERVICE SCHEMATIC DWG: 4

SECTION 7

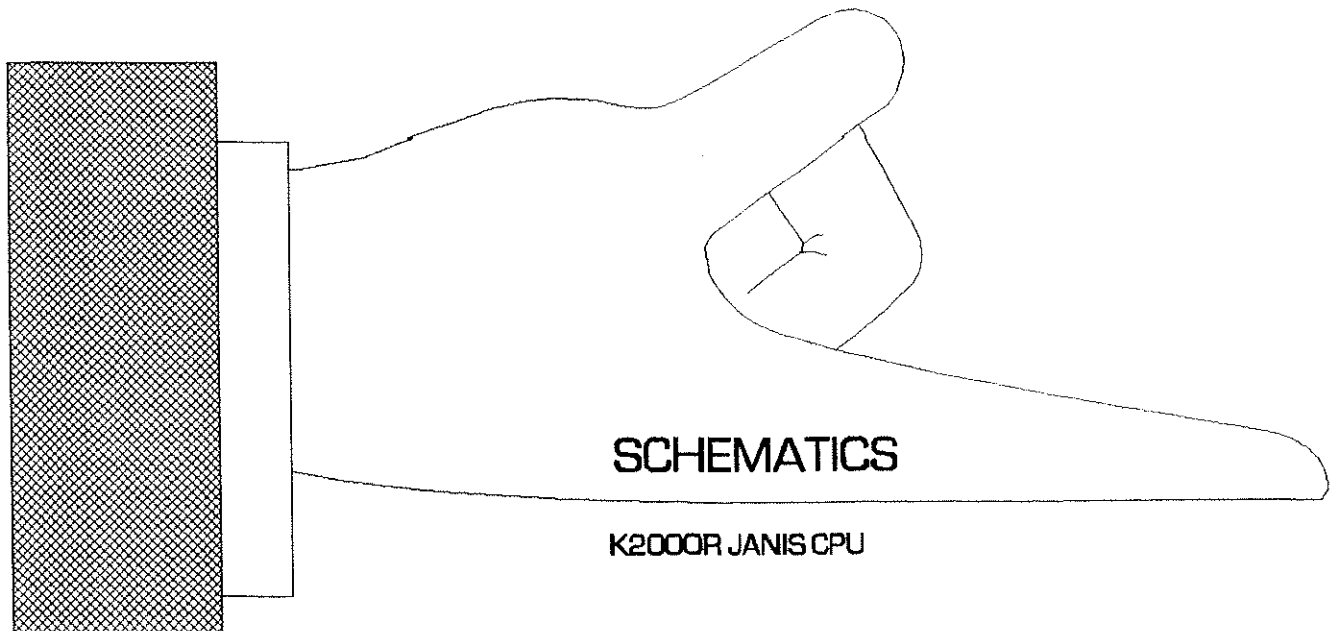
K2000R

JANIS Engine/CPU assembly

This schematic presentation is designed to be used with the block diagram script presented in section 1 based on the block diagram concept.

The circuits descriptions in section 1 is written specifically for the JANIS Engine/CPU assembly. However, a complete set of schematics are presented to allow an overall understanding of the instrument.

The text of section 1 references sheet numbers found in title blocks in lower right corner of each schematic. The flags found at various input/output points on the schematics refer to connection points to or from other schematic numbers and coordinate locations. Example; 11A2 refers to schematic 11 and coordinate A-2.



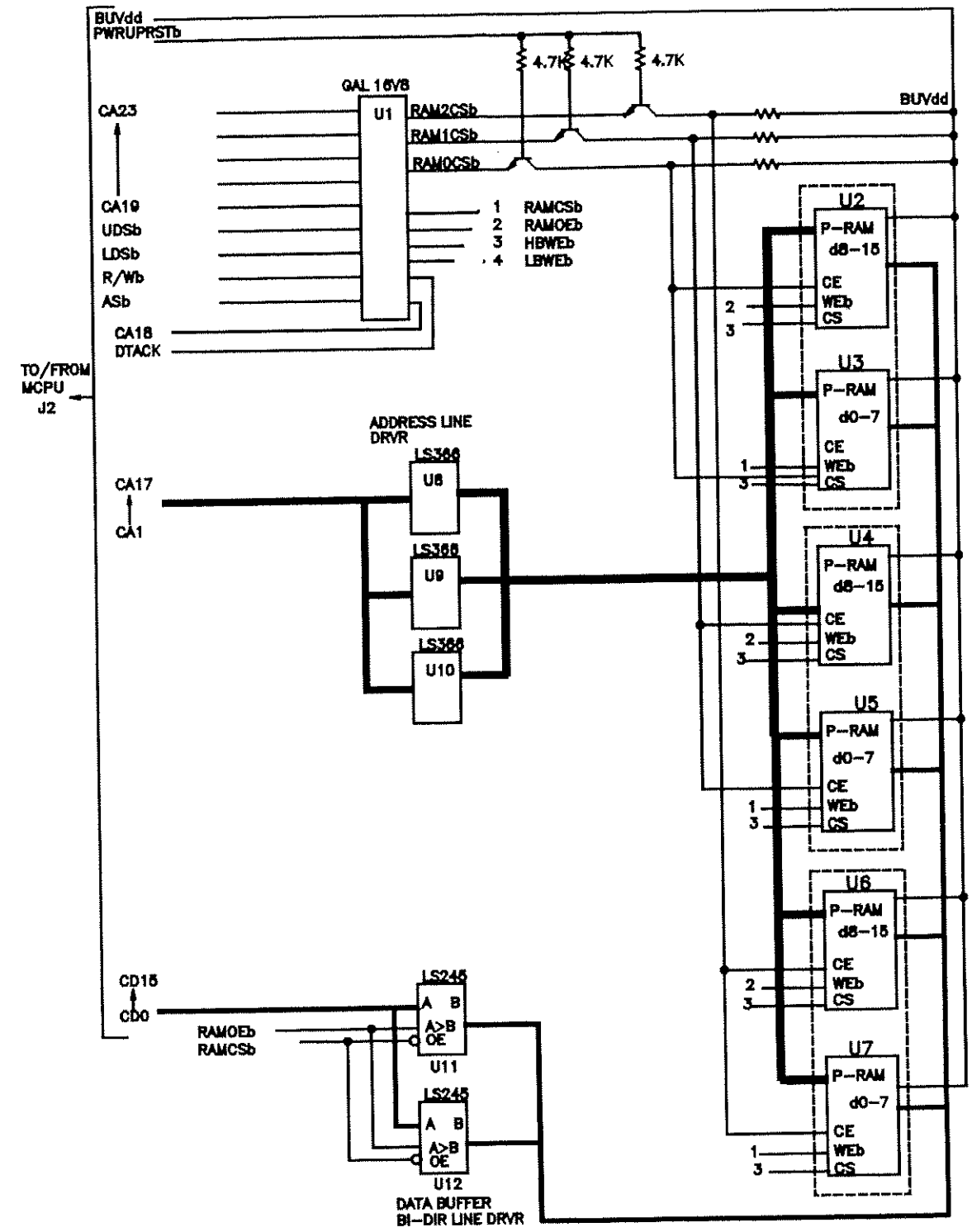
P\RAM

J2 TERMS

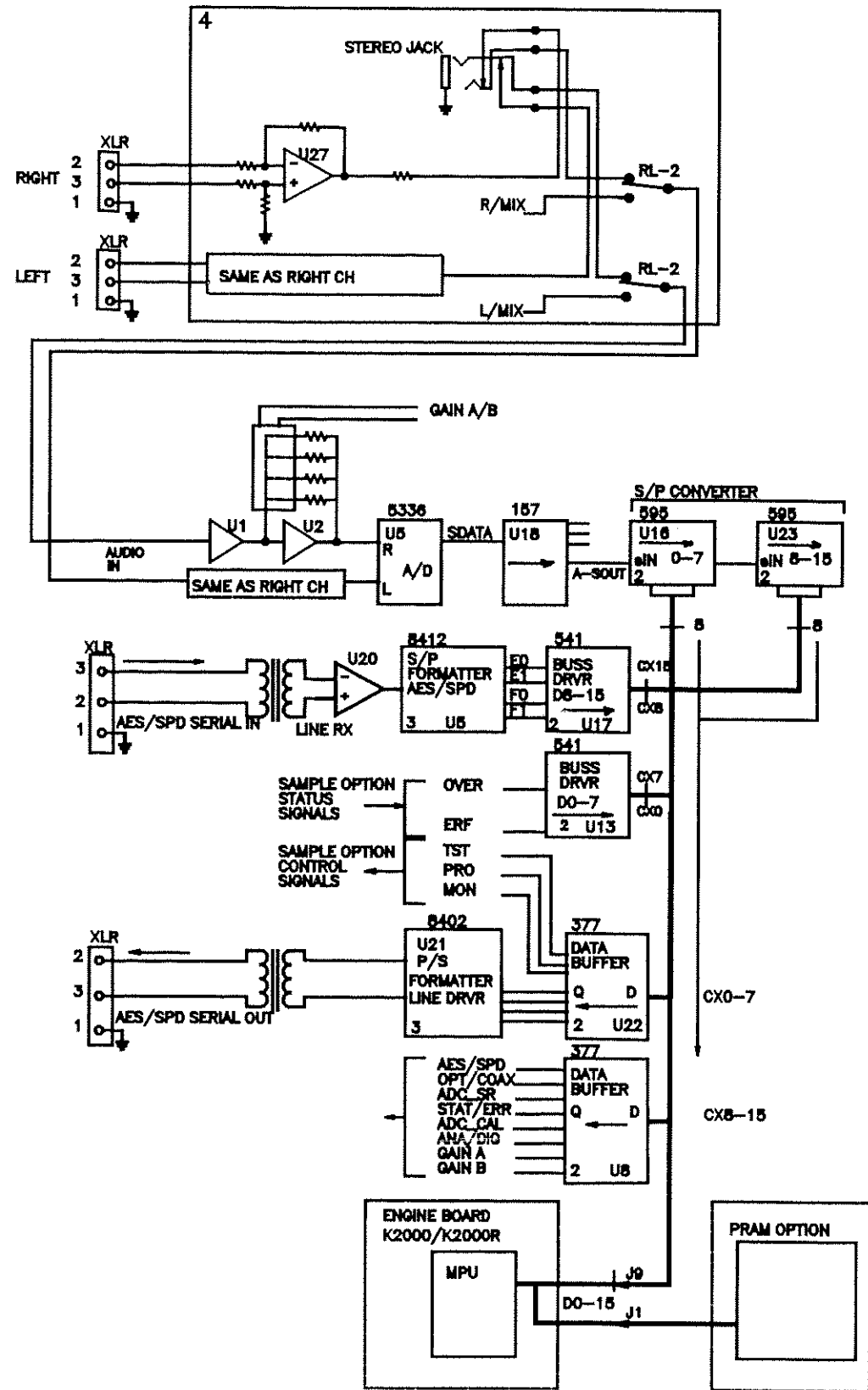
D4	D3	1	□	2
D2	D1	○	○	○
D0	ASb	5	○	○
UDSb	LDS	○	○	○
R/Wb	DTACK	○	○	○
Bgb	BGACKb	○	○	○
BRb	Vcc	○	○	○
CLK	GND	○	○	○
HALTb	RESETb	○	○	○
VMAB	E	○	○	○
VPAB	BERRb	○	○	○
IPL2b	IPL1b	○	○	○
IPL0b	FC2	○	○	○
FC1	FC0	○	○	○
CA1	CA2	○	○	○
CA3	CA4	○	○	○
CA5	CA6	○	○	○
CA7	CA8	○	○	○
CA9	CA10	○	○	○
CA11	CA12	○	○	○
CA13	CA14	○	○	○
CA15	CA16	○	○	○
CA17	CA18	○	○	○
CA19	CA20	○	○	○
Vcc	CA21	○	○	○
CA22	CA23	○	○	○
GND	D15	○	○	○
D14	DD13	○	○	○
D12	D11	○	○	○
D10	D9	○	○	○
D8	D7	○	○	○
D6	D5	○	○	○

J2 PIN NUMBERS

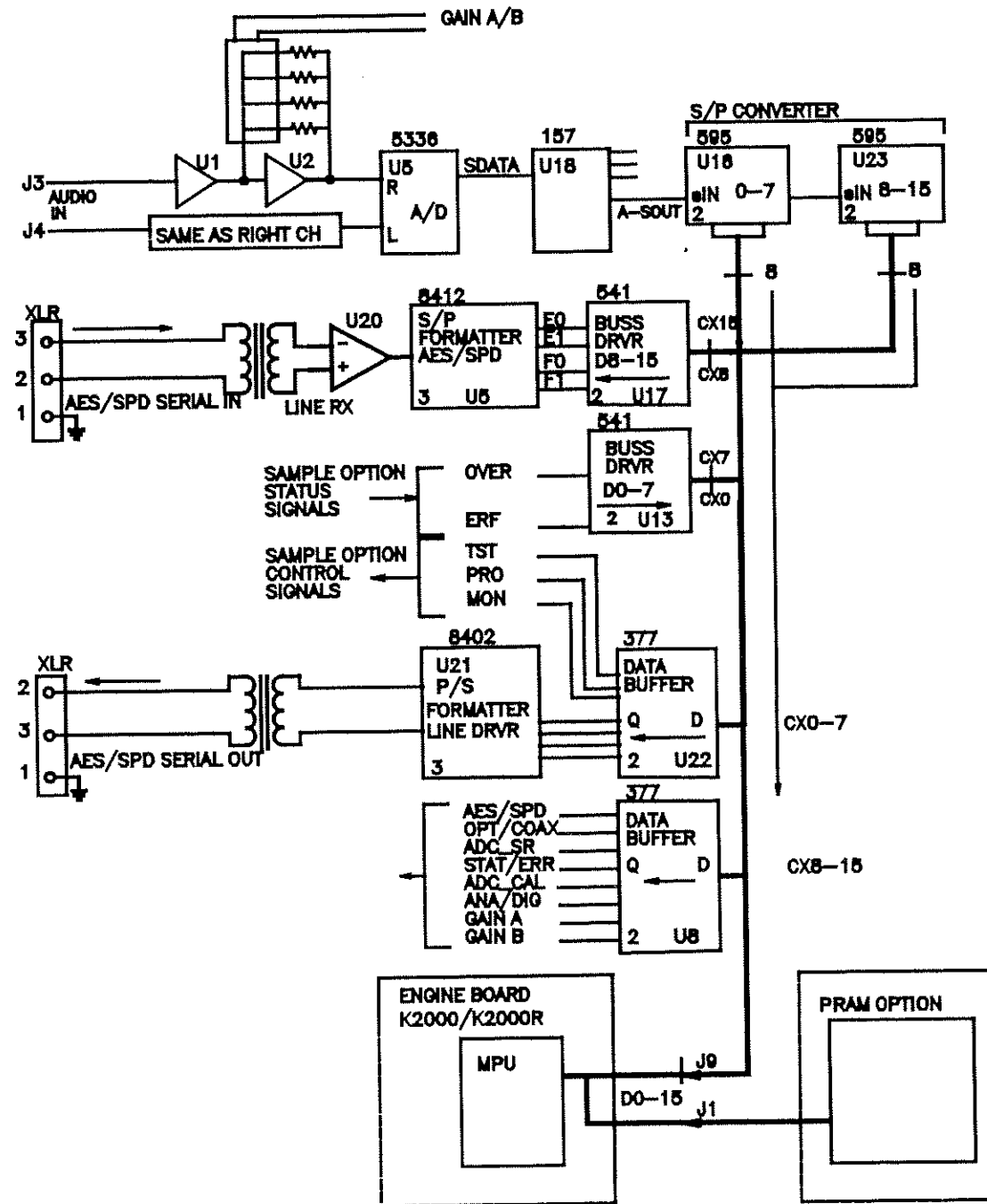
P\RAM

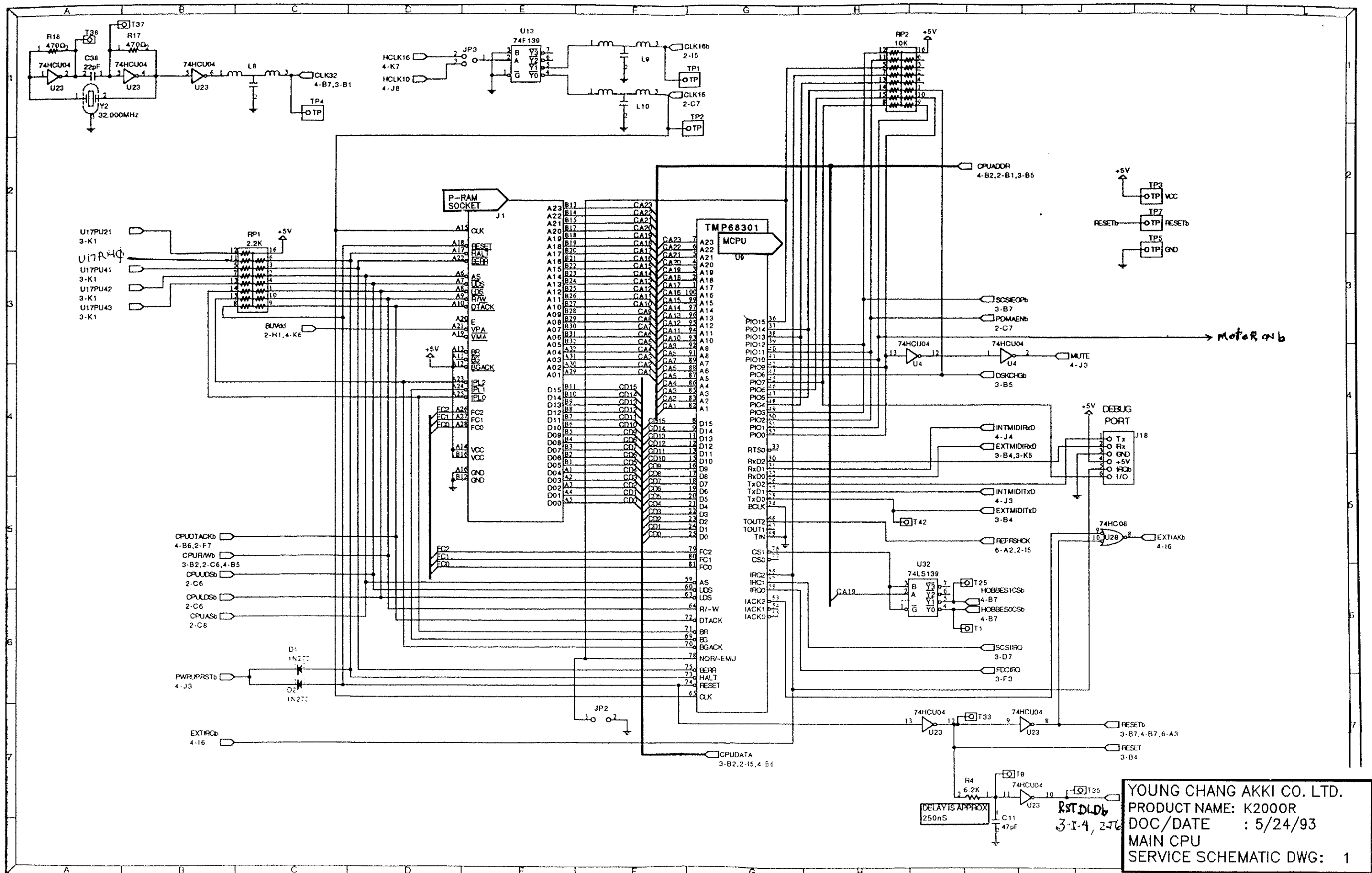


SAMPLE OPTION (SMPR)

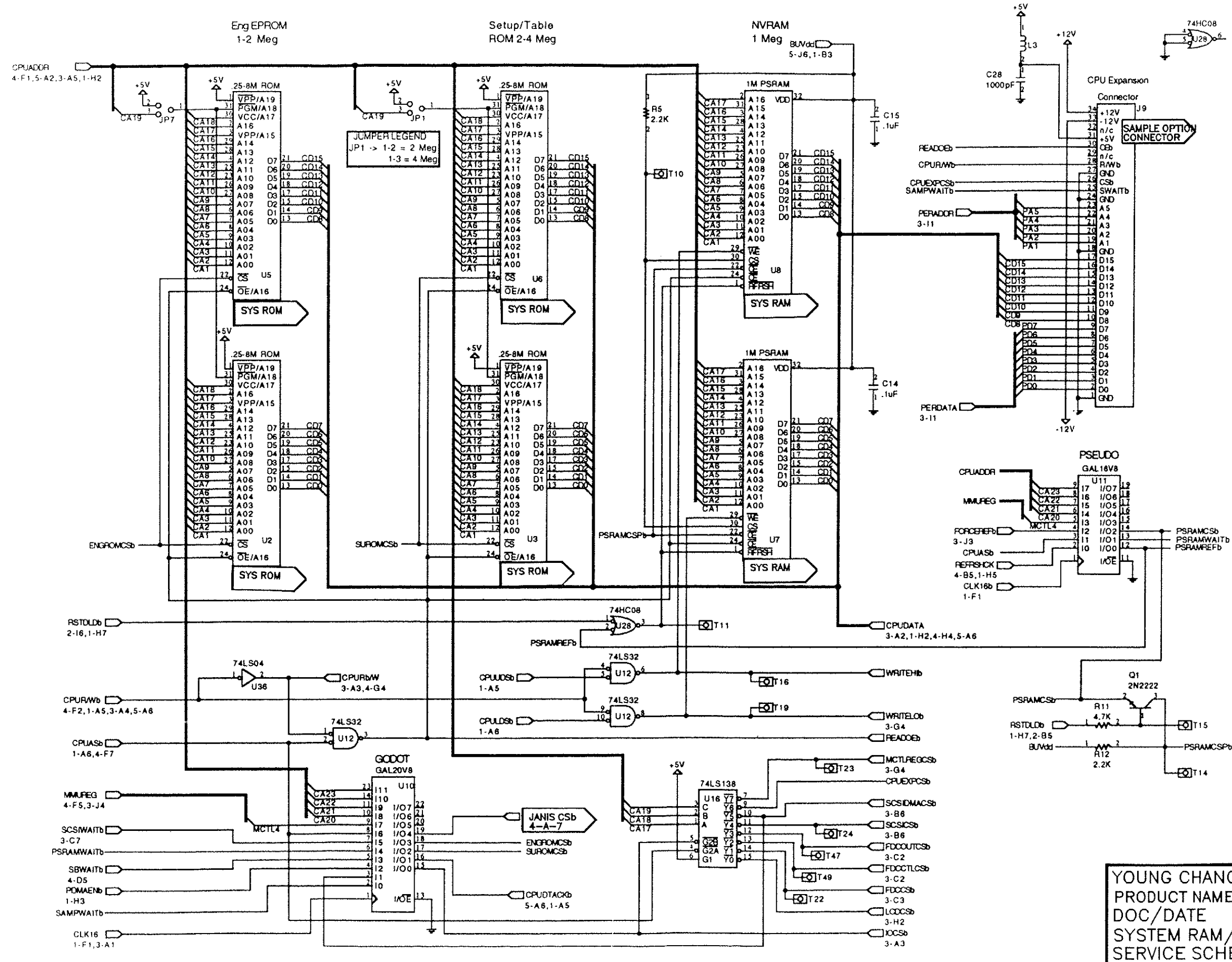


SAMPLE OPTION (SMPK)

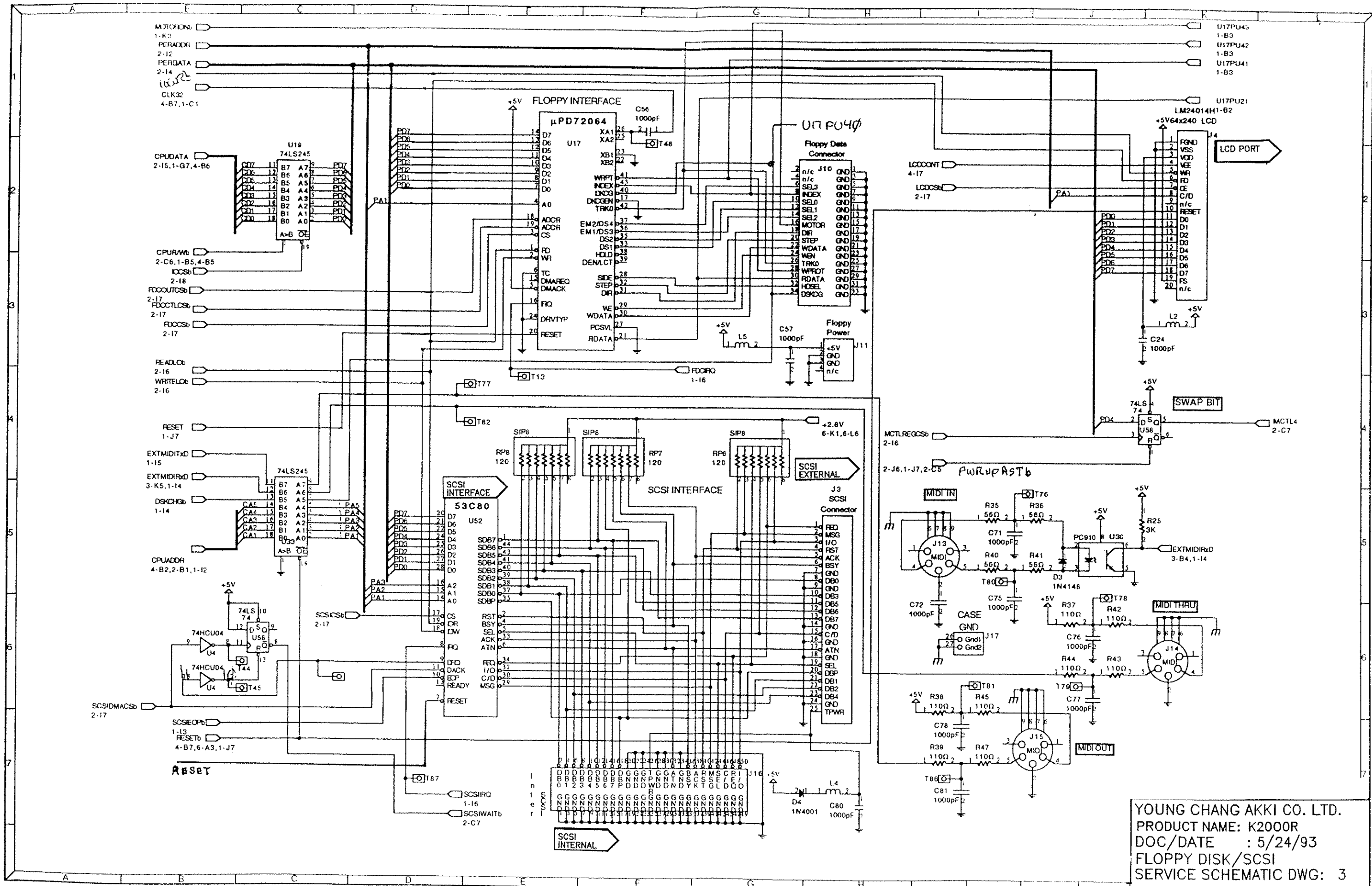




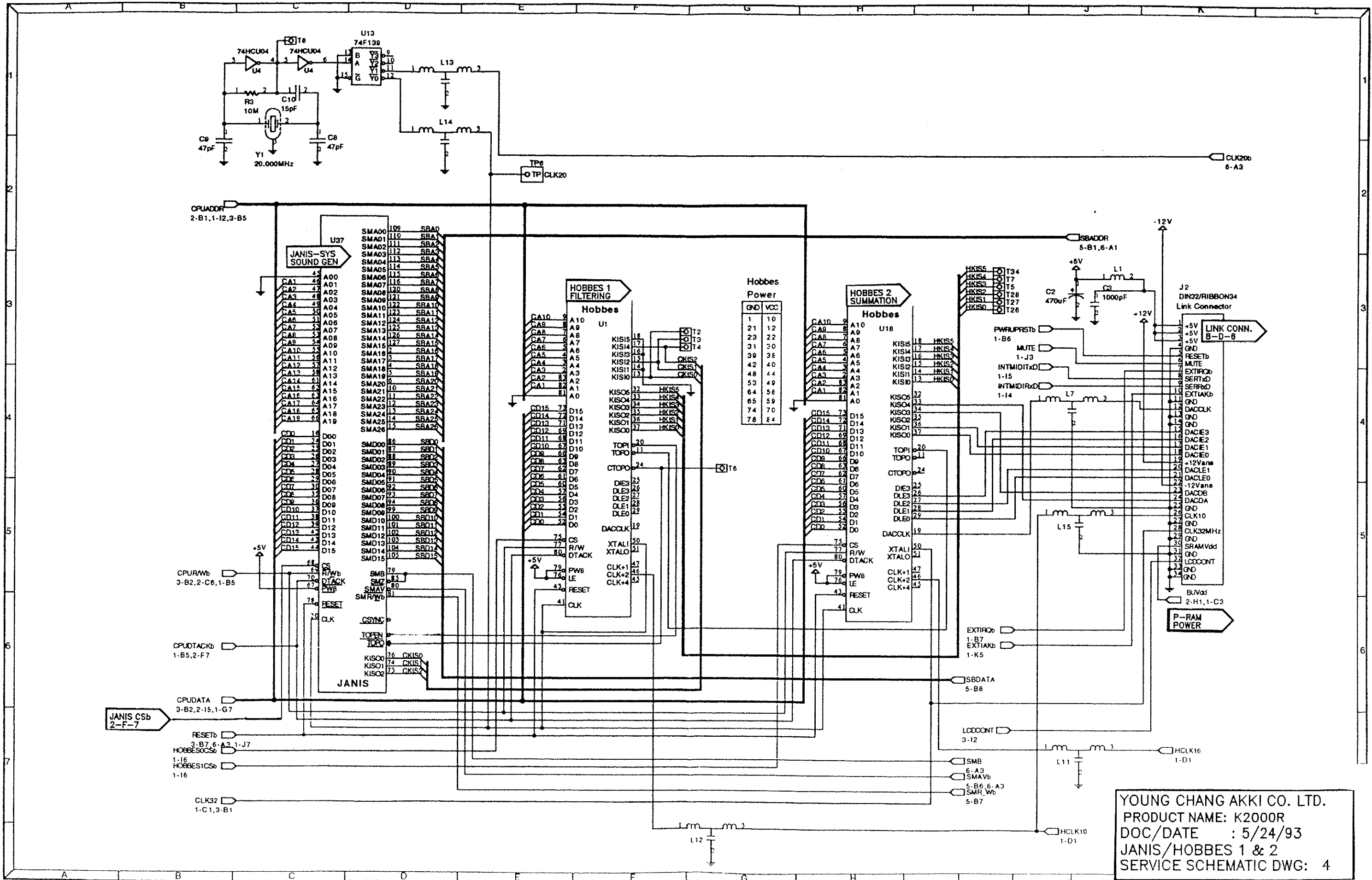
YOUNG CHANG AKKI CO. LTD.
 PRODUCT NAME: K2000R
 DOC/DATE : 5/24/93
 MAIN CPU
 SERVICE SCHEMATIC DWG: 1



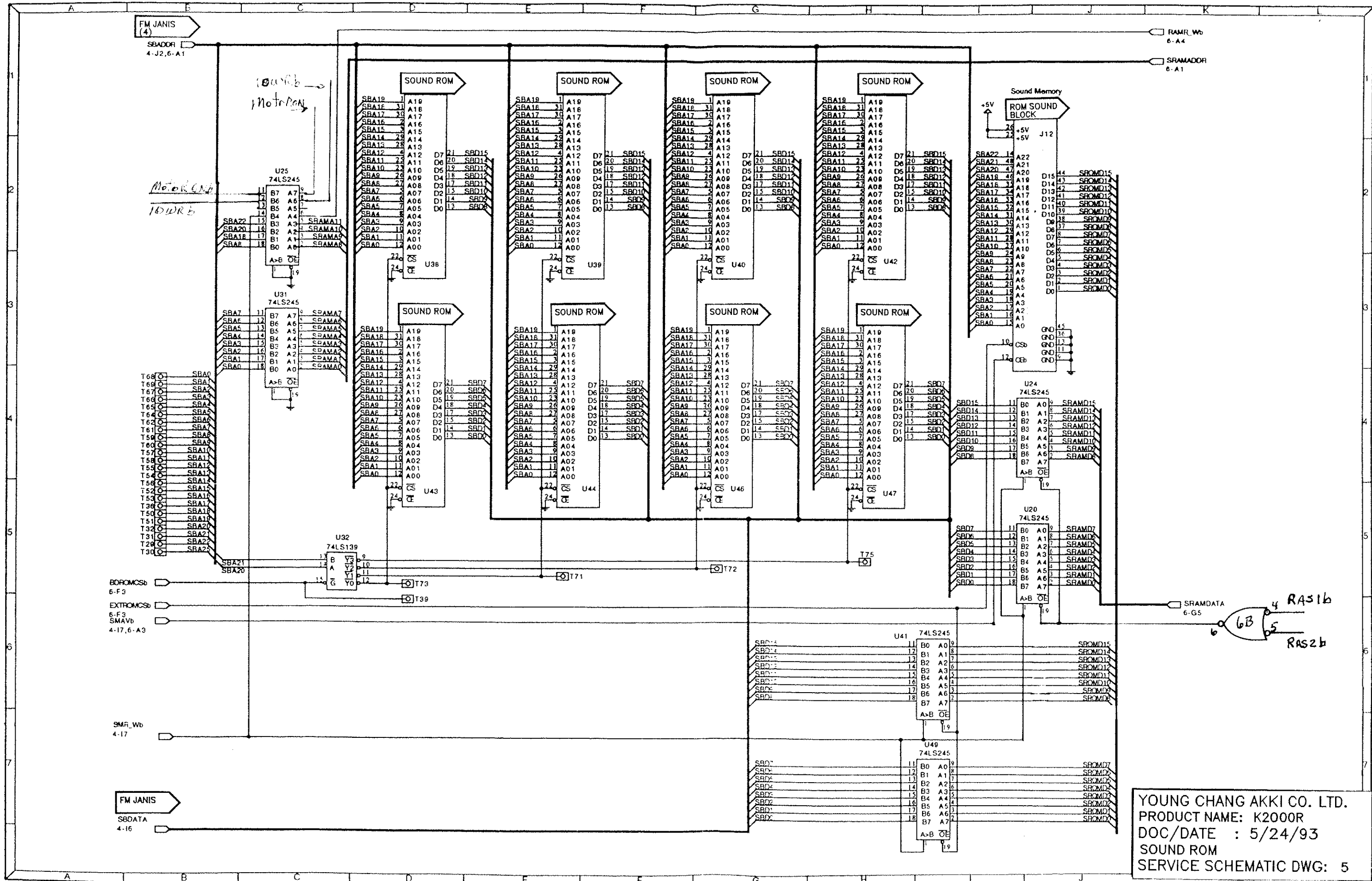
YOUNG CHANG AKKI CO. LTD.
 PRODUCT NAME: K2000R
 DOC/DATE : 5/24/93
 SYSTEM RAM/ROM
 SERVICE SCHEMATIC DWG: 2



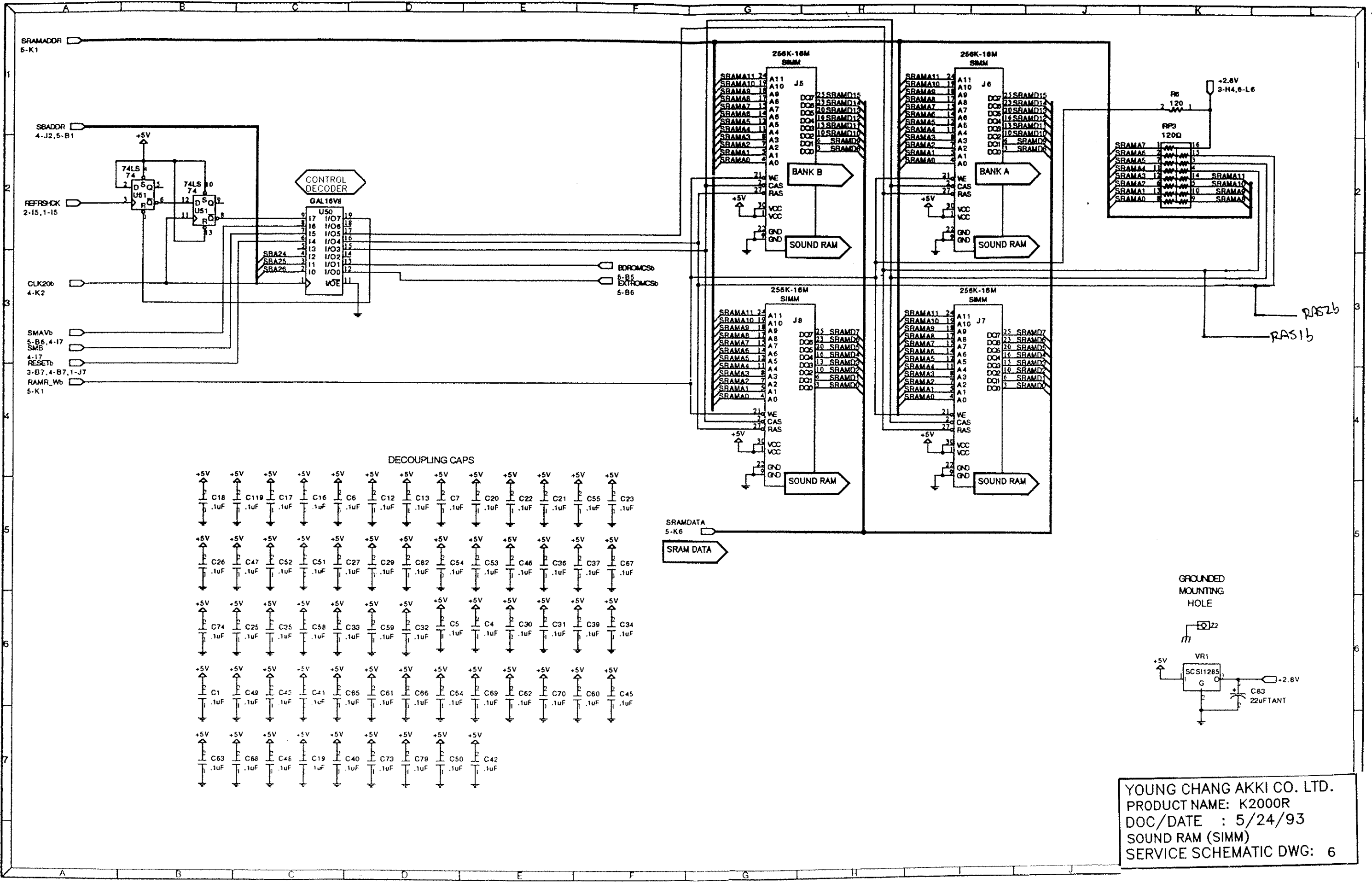
YOUNG CHANG AKKI CO. LTD.
 PRODUCT NAME: K2000R
 DOC/DATE : 5/24/93
 FLOPPY DISK/SCSI
 SERVICE SCHEMATIC DWG: 3



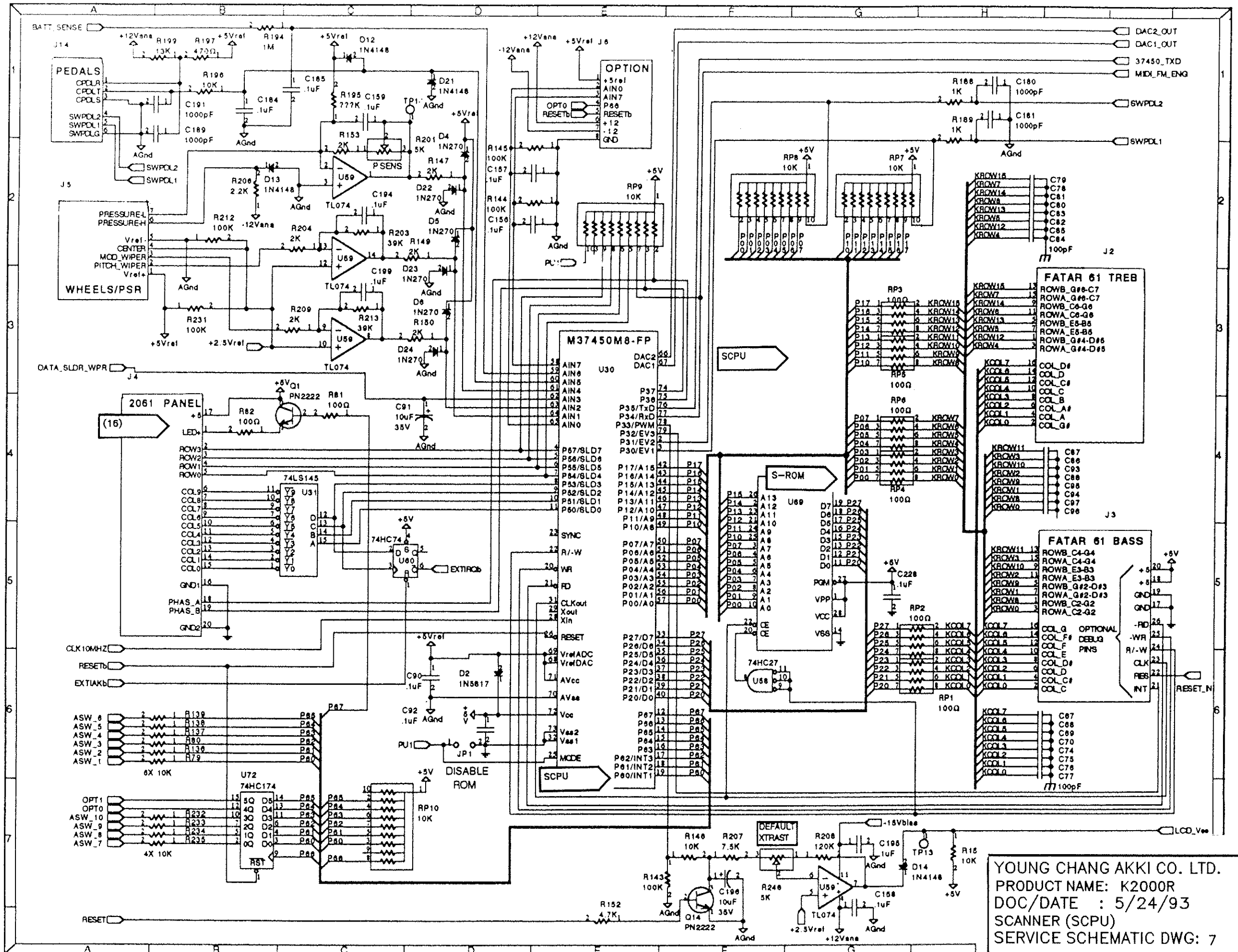
YOUNG CHANG AKKI CO. LTD.
 PRODUCT NAME: K2000R
 DOC/DATE : 5/24/93
 JANIS/HOBBS 1 & 2
 SERVICE SCHEMATIC DWG: 4



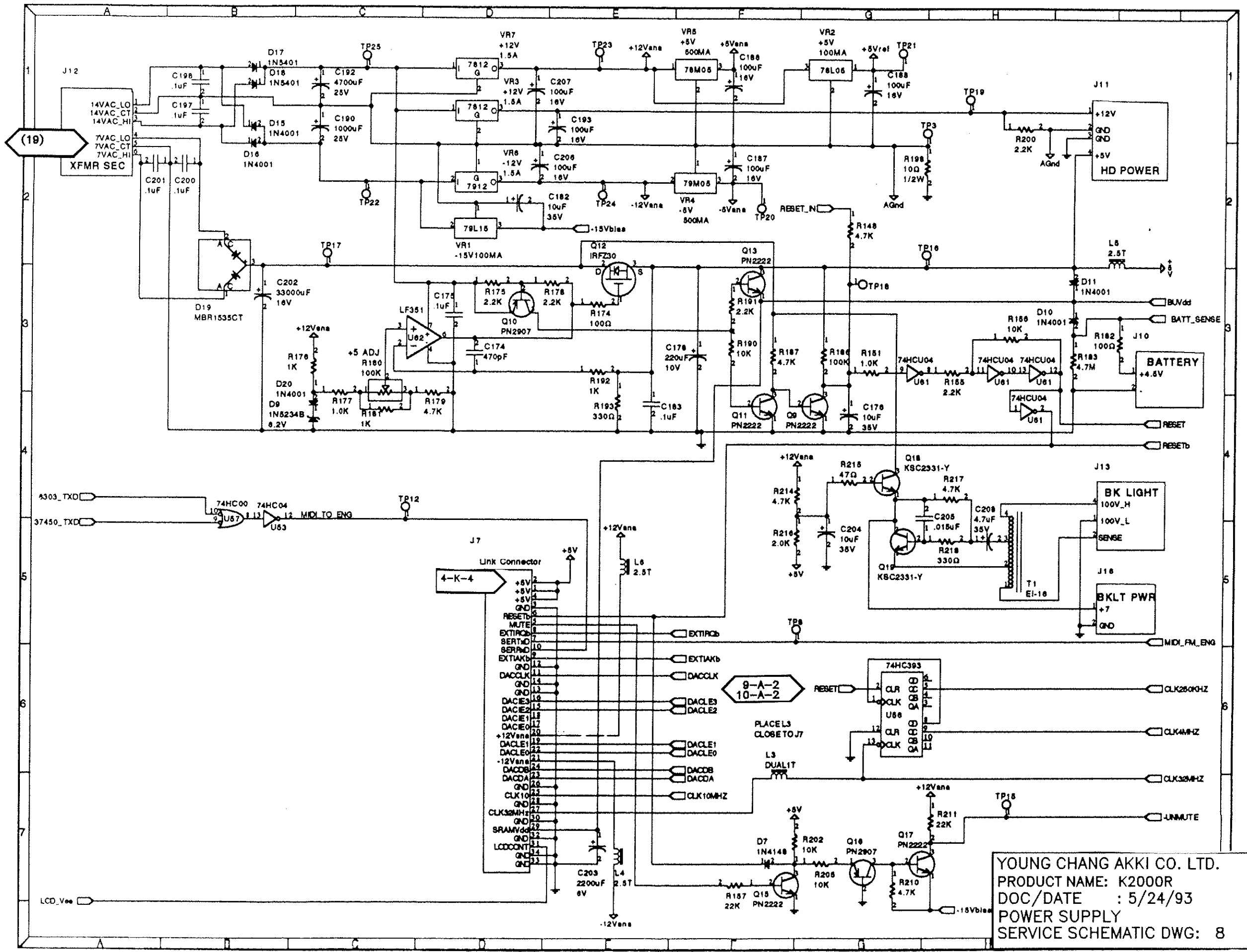
YOUNG CHANG AKKI CO. LTD.
 PRODUCT NAME: K2000R
 DOC/DATE : 5/24/93
 SOUND ROM
 SERVICE SCHEMATIC DWG: 5



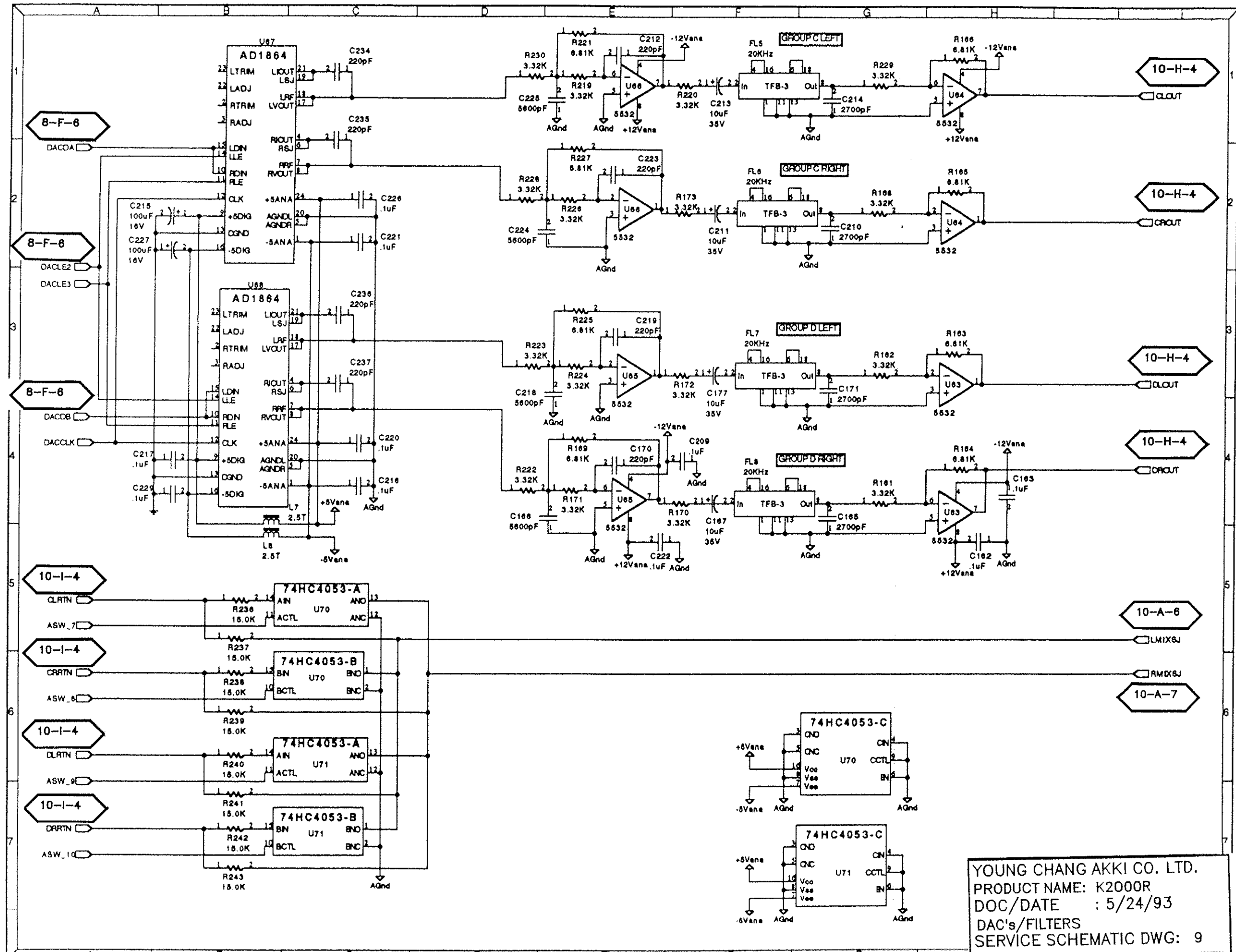
YOUNG CHANG AKKI CO. LTD.
 PRODUCT NAME: K2000R
 DOC/DATE : 5/24/93
 SOUND RAM (SIMM)
 SERVICE SCHEMATIC DWG: 6



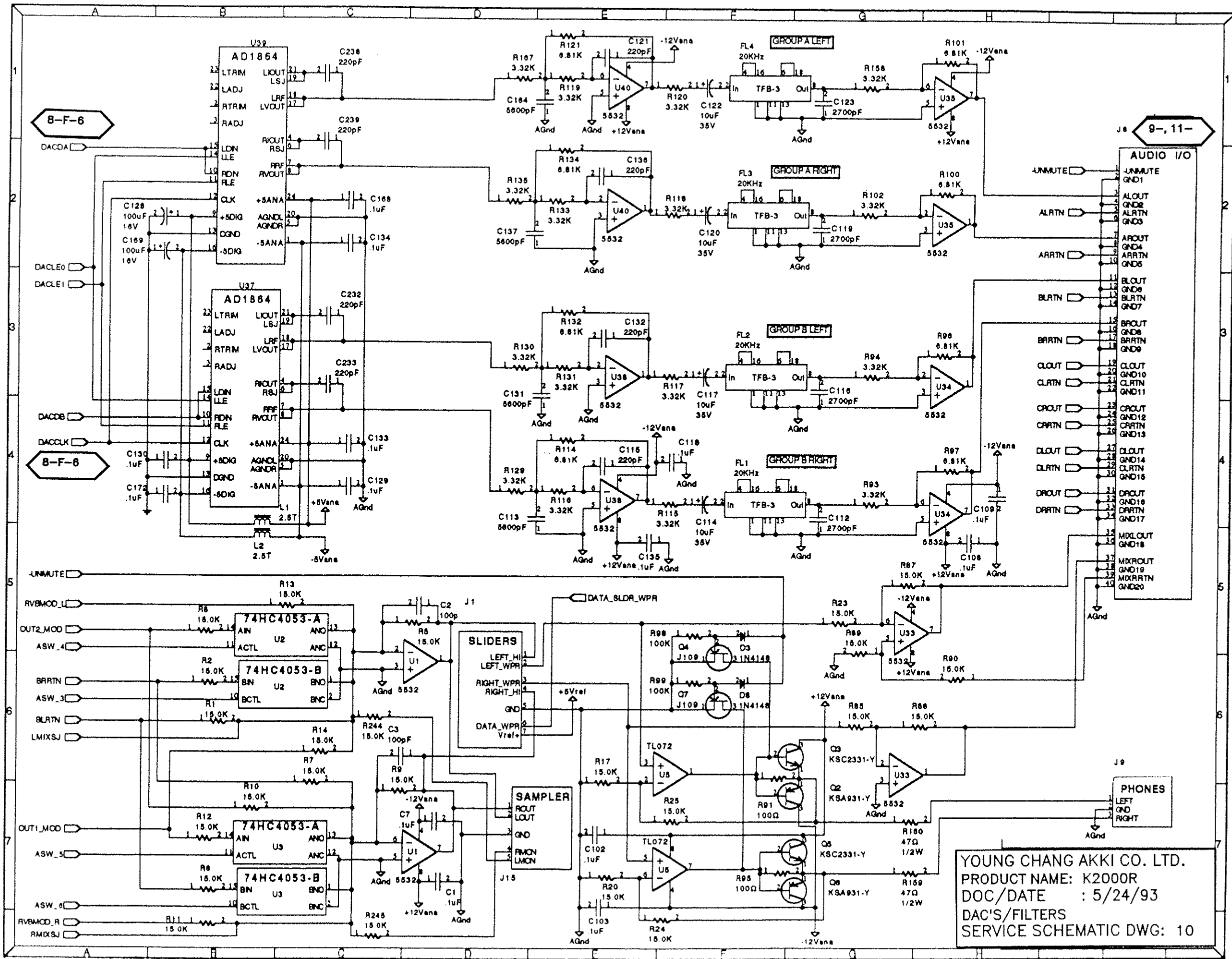
YOUNG CHANG AKKI CO. LTD.
 PRODUCT NAME: K2000R
 DOC/DATE : 5/24/93
 SCANNER (SCPU)
 SERVICE SCHEMATIC DWG: 7



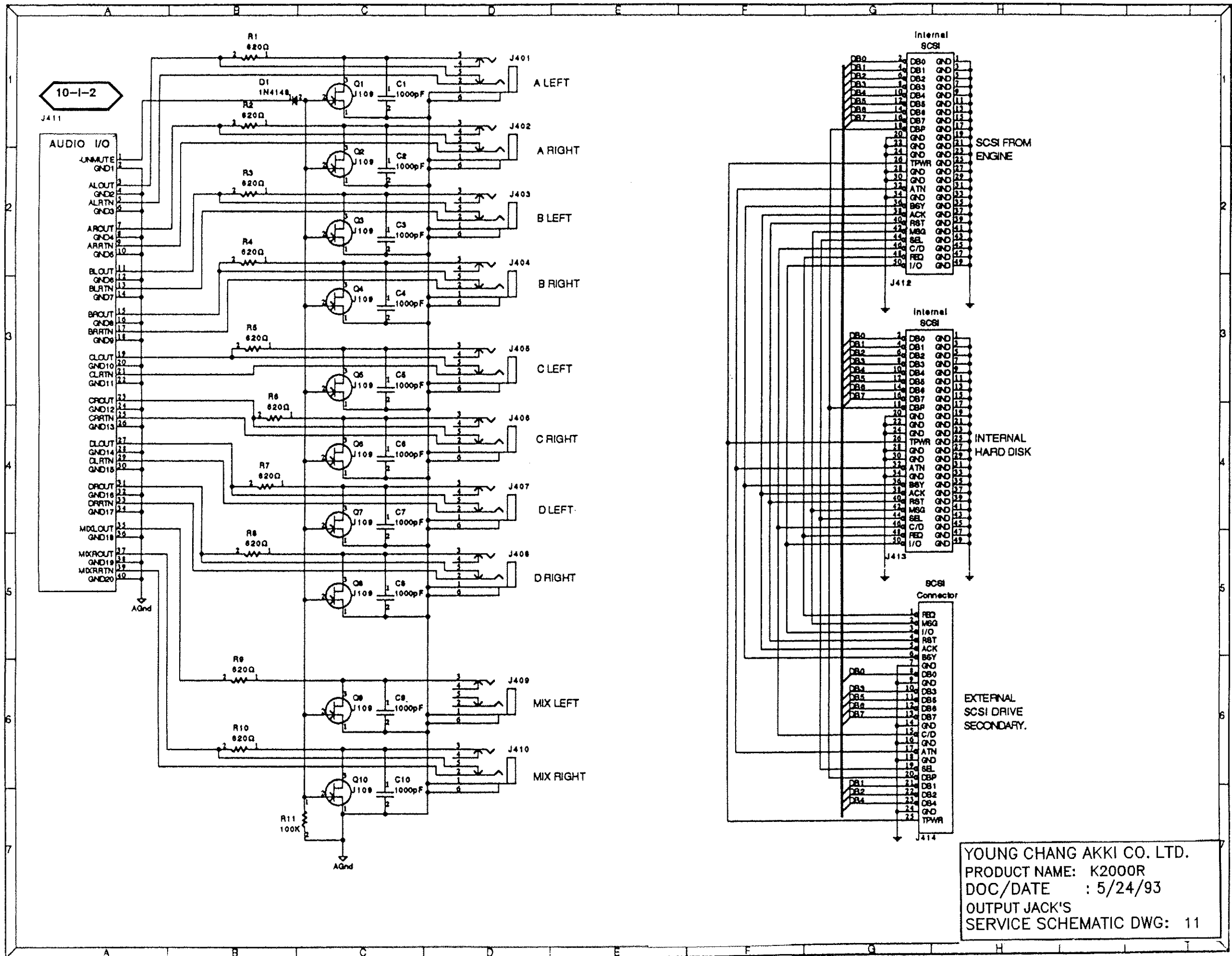
YOUNG CHANG AKKI CO. LTD.
 PRODUCT NAME: K2000R
 DOC/DATE : 5/24/93
 POWER SUPPLY
 SERVICE SCHEMATIC DWG: 8



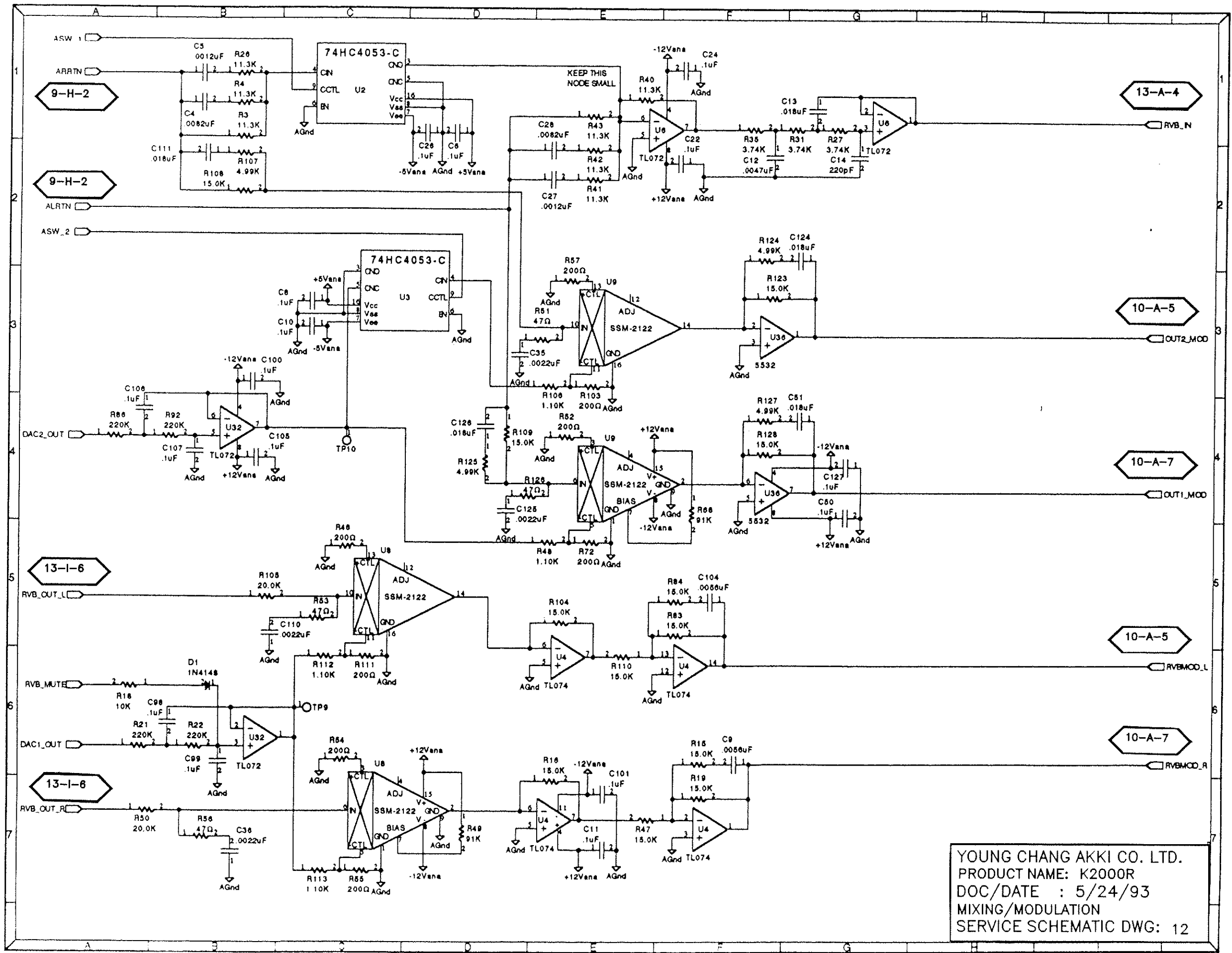
YOUNG CHANG AKKI CO. LTD.
 PRODUCT NAME: K2000R
 DOC/DATE : 5/24/93
 DAC's/FILTERS
 SERVICE SCHEMATIC DWG: 9



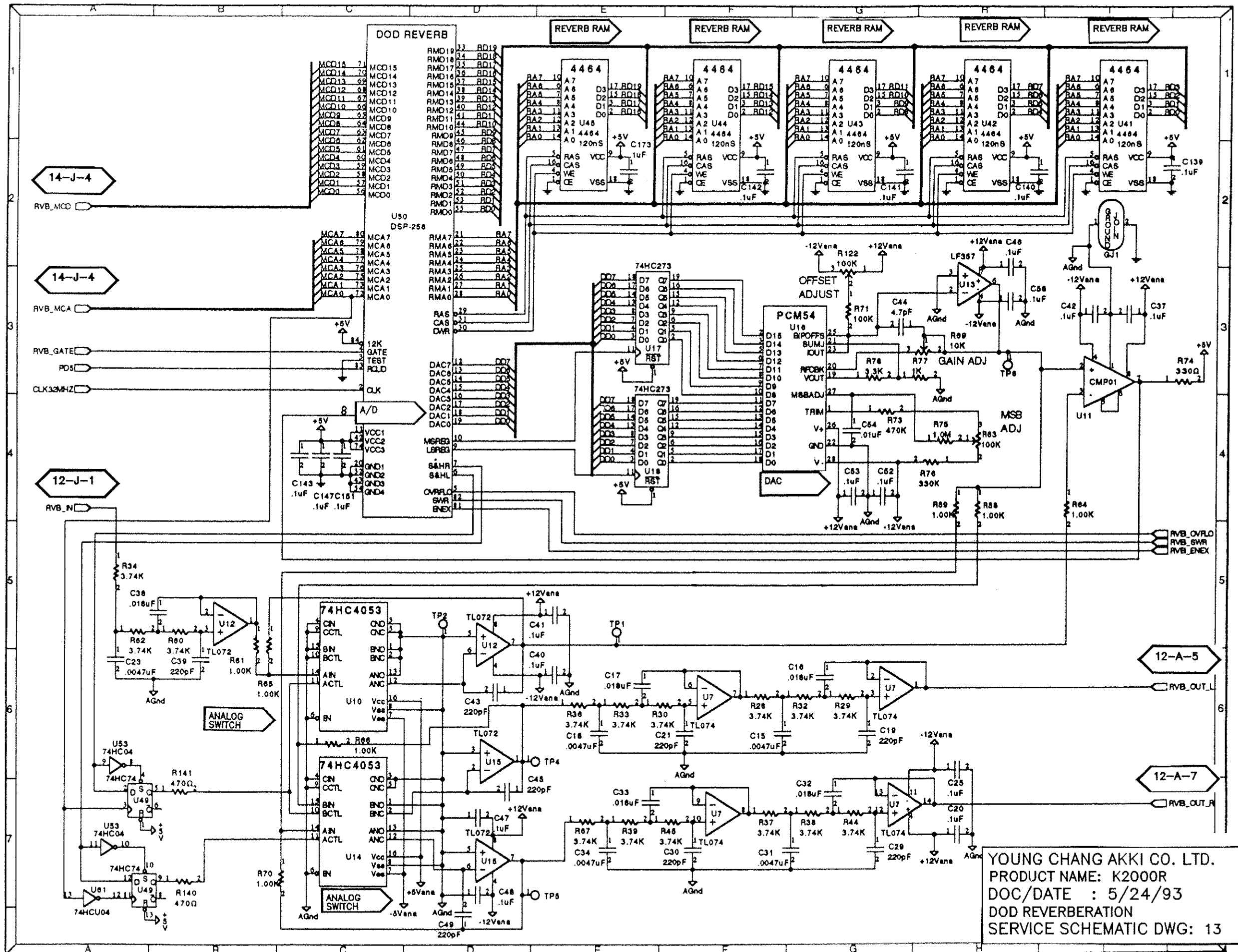
YOUNG CHANG AKKI CO. LTD.
 PRODUCT NAME: K2000R
 DOC/DATE : 5/24/93
 DAC'S/FILTERS
 SERVICE SCHEMATIC DWG: 10



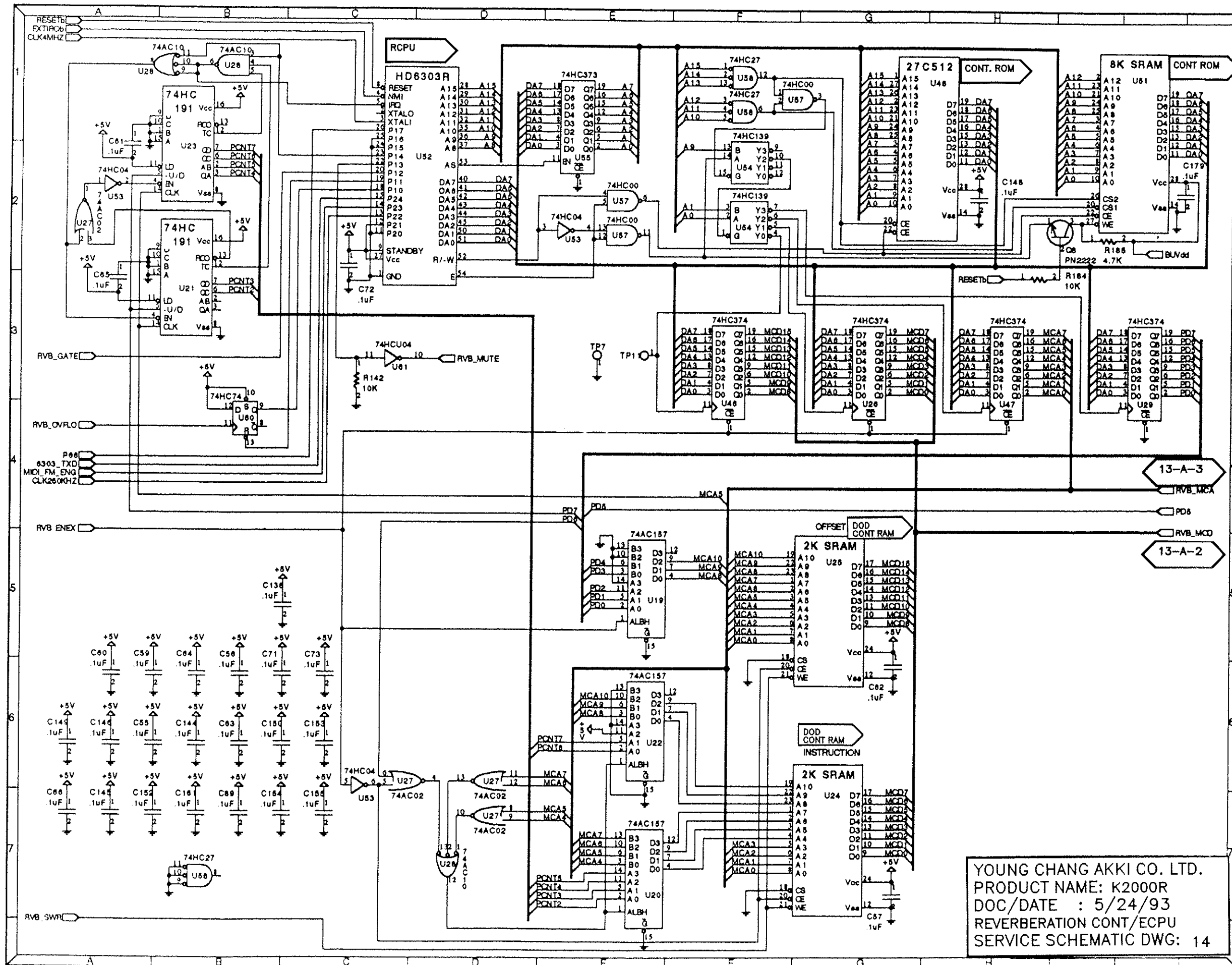
YOUNG CHANG AKKI CO. LTD.
 PRODUCT NAME: K2000R
 DOC/DATE : 5/24/93
 OUTPUT JACK'S
 SERVICE SCHEMATIC DWG: 11



YOUNG CHANG AKKI CO. LTD.
 PRODUCT NAME: K2000R
 DOC/DATE : 5/24/93
 MIXING/MODULATION
 SERVICE SCHEMATIC DWG: 12

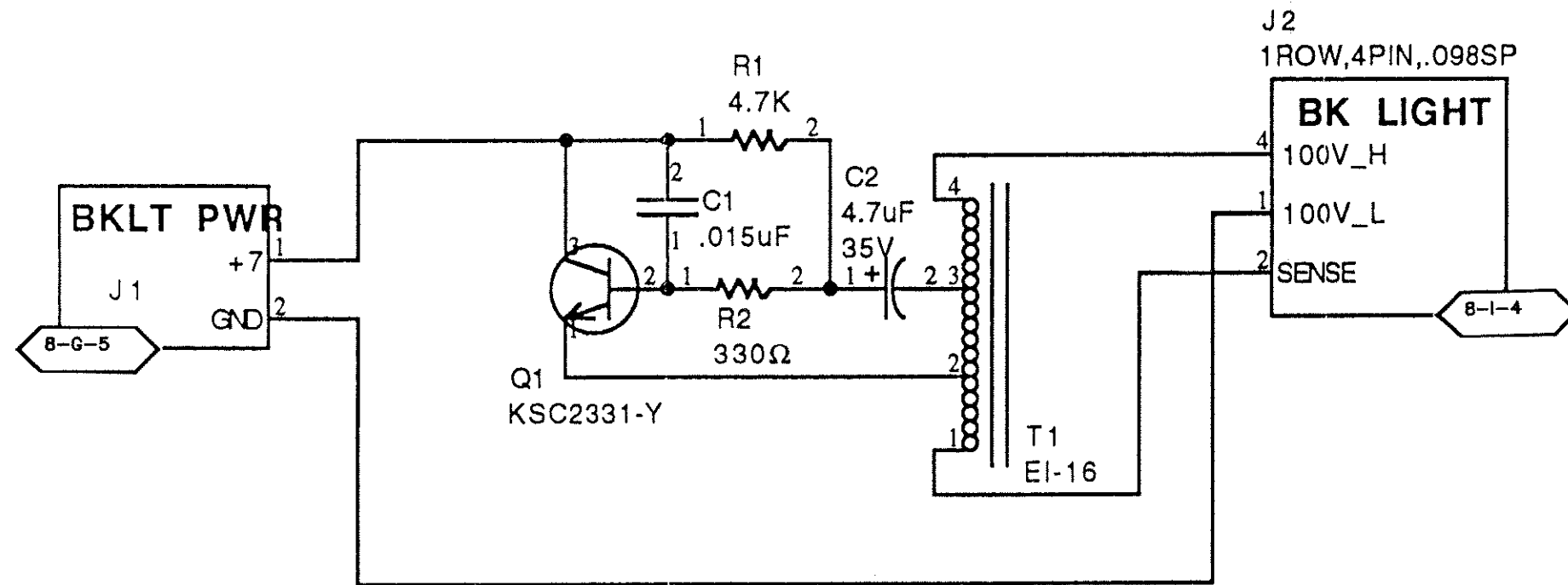


YOUNG CHANG AKKI CO. LTD.
 PRODUCT NAME: K2000R
 DOC/DATE : 5/24/93
 DOD REVERBERATION
 SERVICE SCHEMATIC DWG: 13

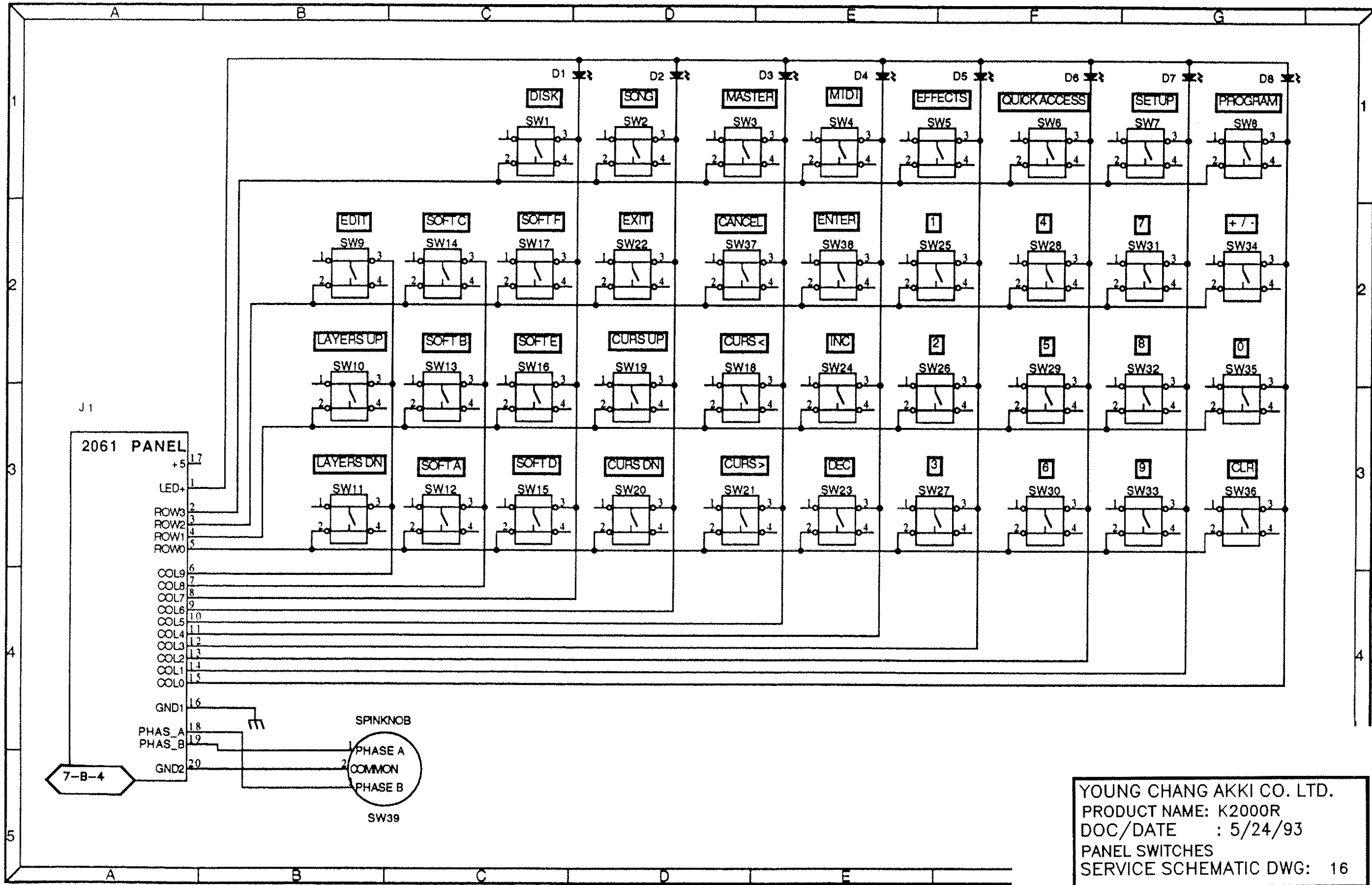


YOUNG CHANG AKKI CO. LTD.
 PRODUCT NAME: K2000R
 DOC/DATE : 5/24/93
 REVERBERATION CONT/ECPU
 SERVICE SCHEMATIC DWG: 14

REMOTE BACKLIGHT INVERTER BOARD

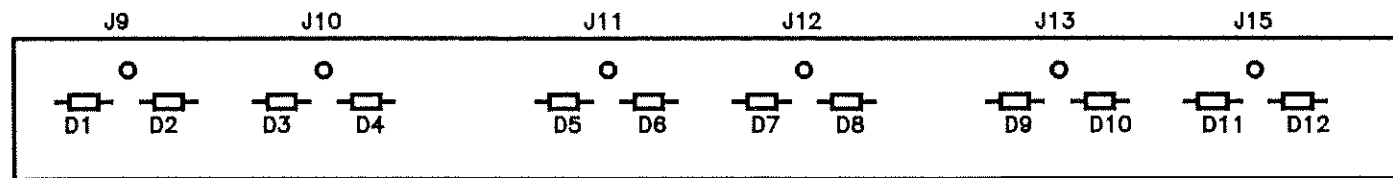
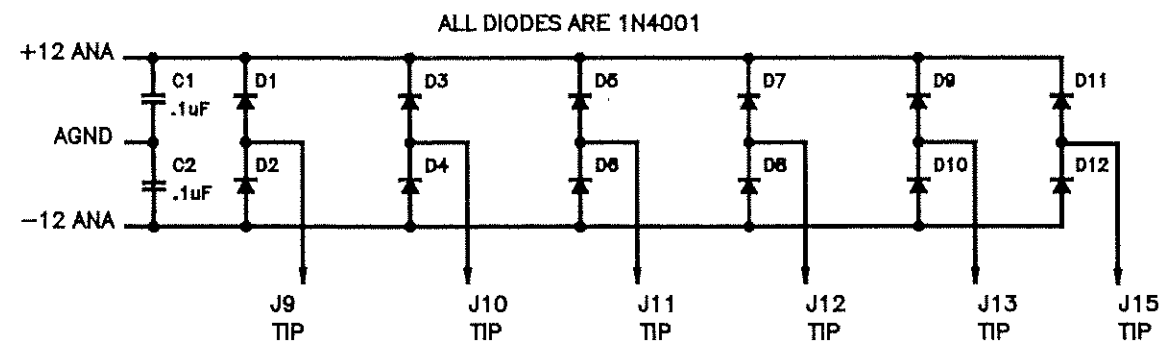


YOUNG CHANG AKKI CO. LTD.
PRODUCT NAME: K2000R
DOC/DATE : 5/24/93
EL BACKLIGHT POWER SUPPLY
SERVICE SCHEMATIC DWG: 15



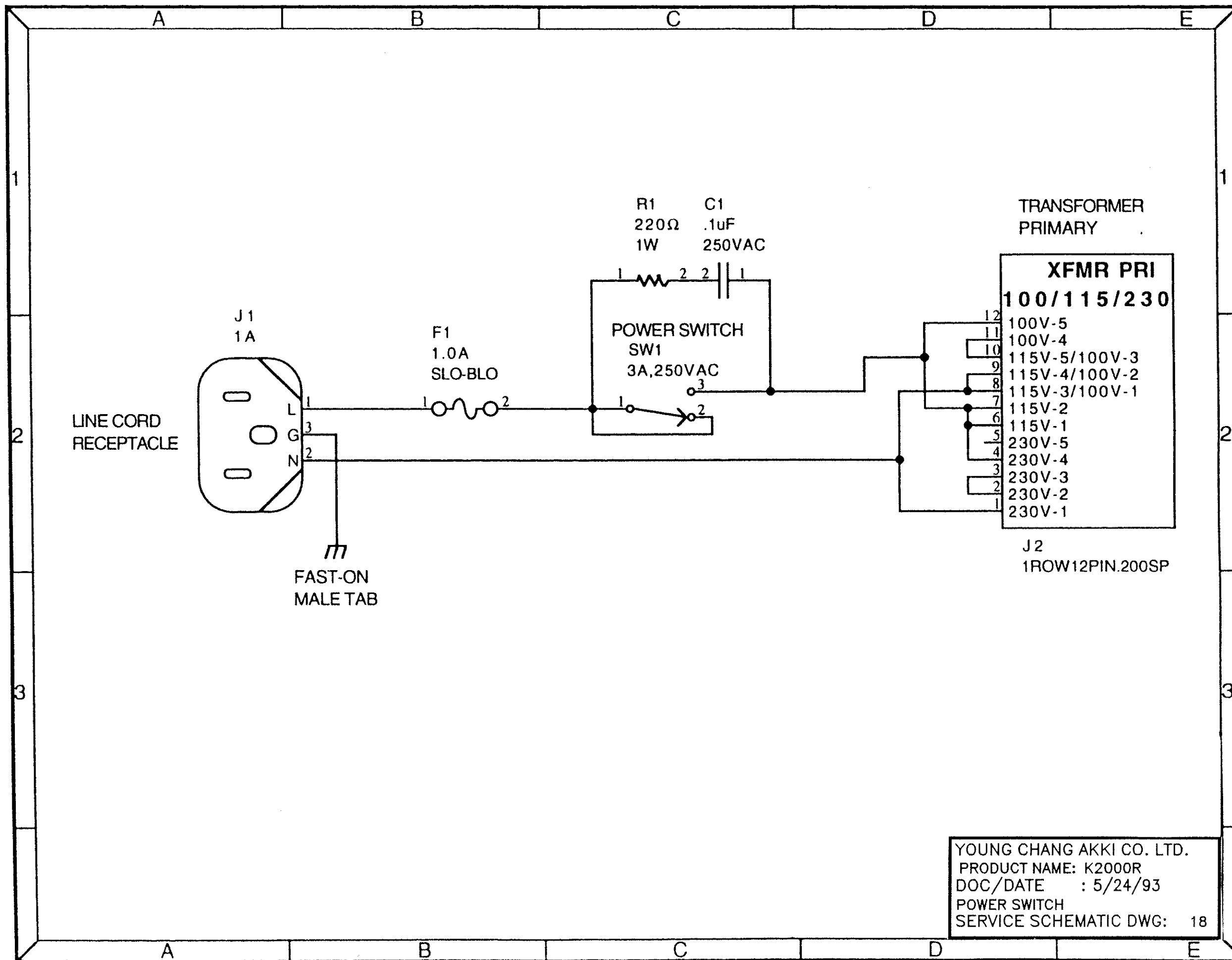
YOUNG CHANG AKKI CO. LTD.
 PRODUCT NAME: K2000R
 DOC/DATE : 5/24/93
 PANEL SWITCHES
 SERVICE SCHEMATIC DWG: 16

FET PROTECTION NETWORK BOARD FOR K2000

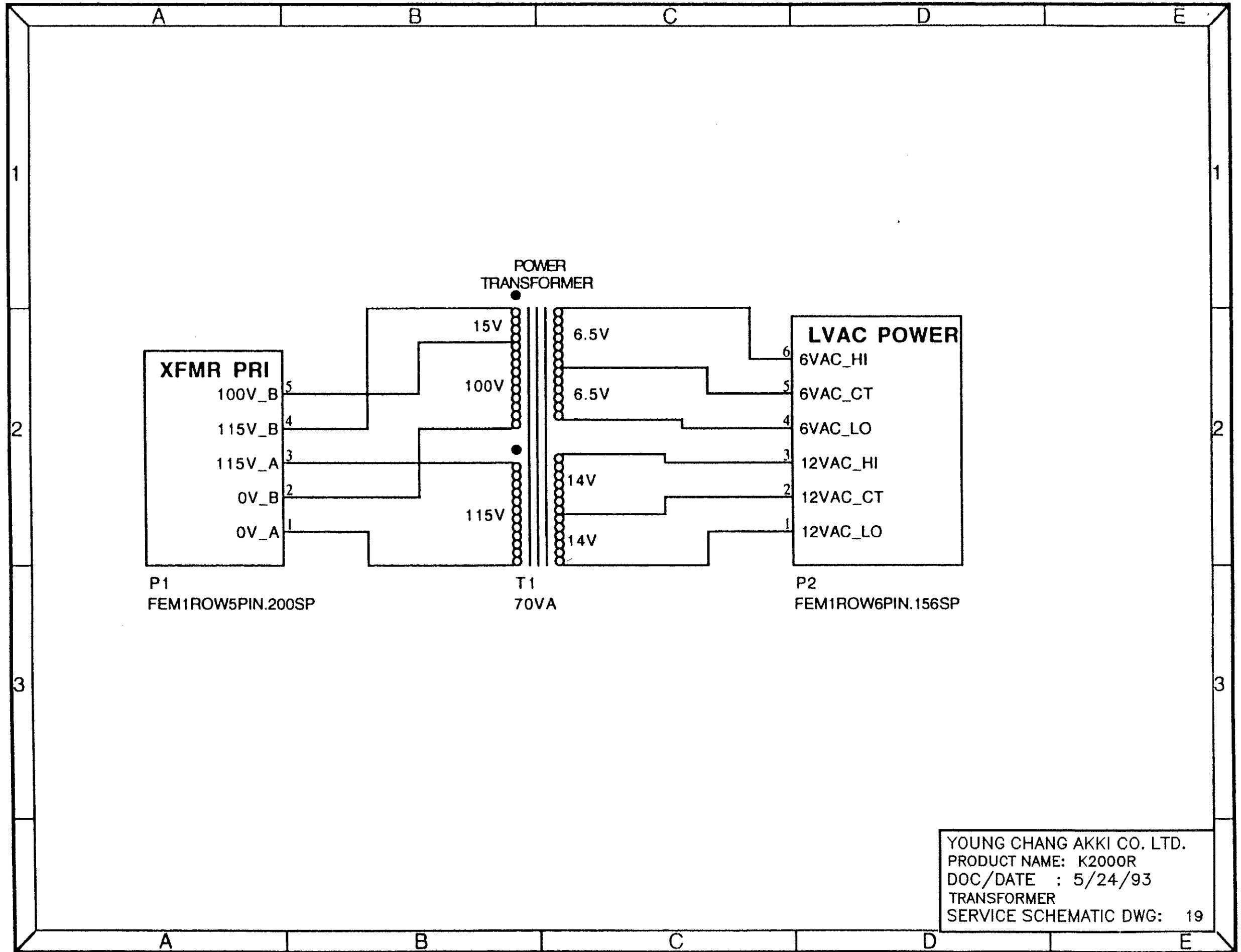


MOUNT BOARD TO REAR OF JACKS J9-J15 WITH DOUBLE-STICK FOAM
 SOLDER WIRES DIRECTLY TO TIP CONTACT OF J9-J15
 CONNECT WIRES TO: +12 at U35-8; -12 at U35-8; AGND at U35-5

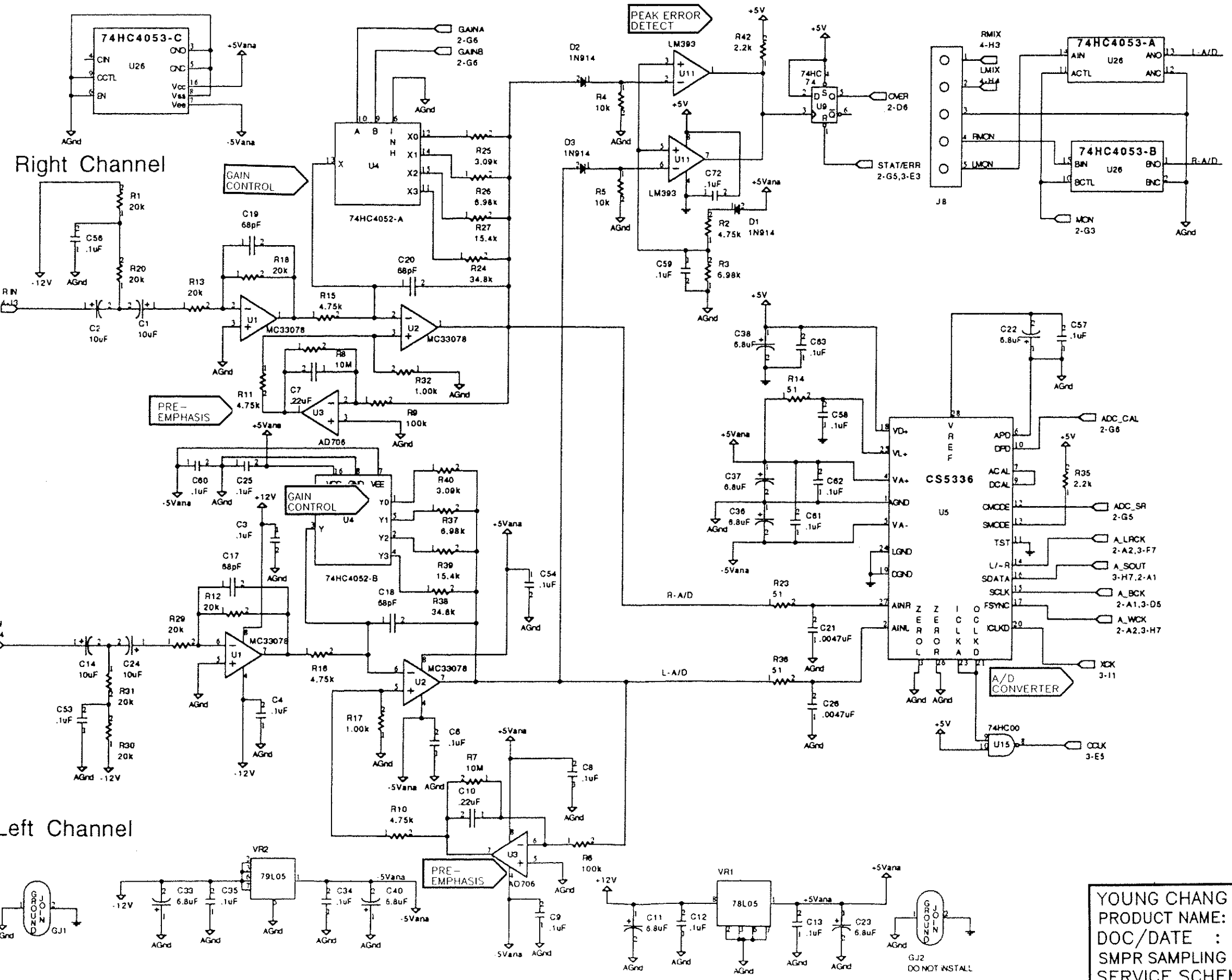
YOUNG CHANG AKKI CO. LTD.
 PRODUCT NAME: K2000R
 DOC/DATE : 5/24/93
 FET PROTECTION
 SERVICE SCHEMATIC DWG: 17



YOUNG CHANG AKKI CO. LTD.
 PRODUCT NAME: K2000R
 DOC/DATE : 5/24/93
 POWER SWITCH
 SERVICE SCHEMATIC DWG: 18



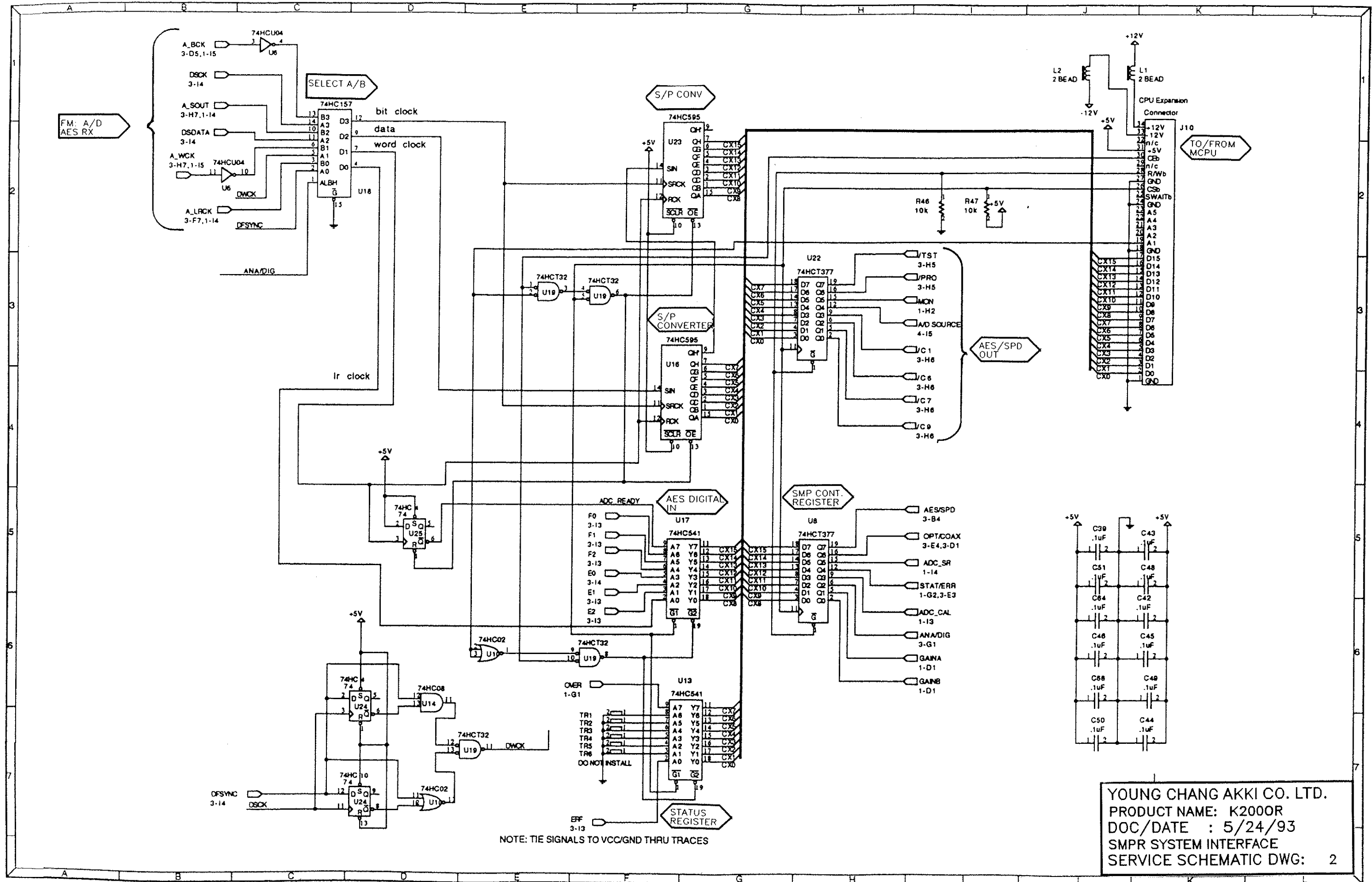
YOUNG CHANG AKKI CO. LTD.
 PRODUCT NAME: K2000R
 DOC/DATE : 5/24/93
 TRANSFORMER
 SERVICE SCHEMATIC DWG: 19



Right Channel

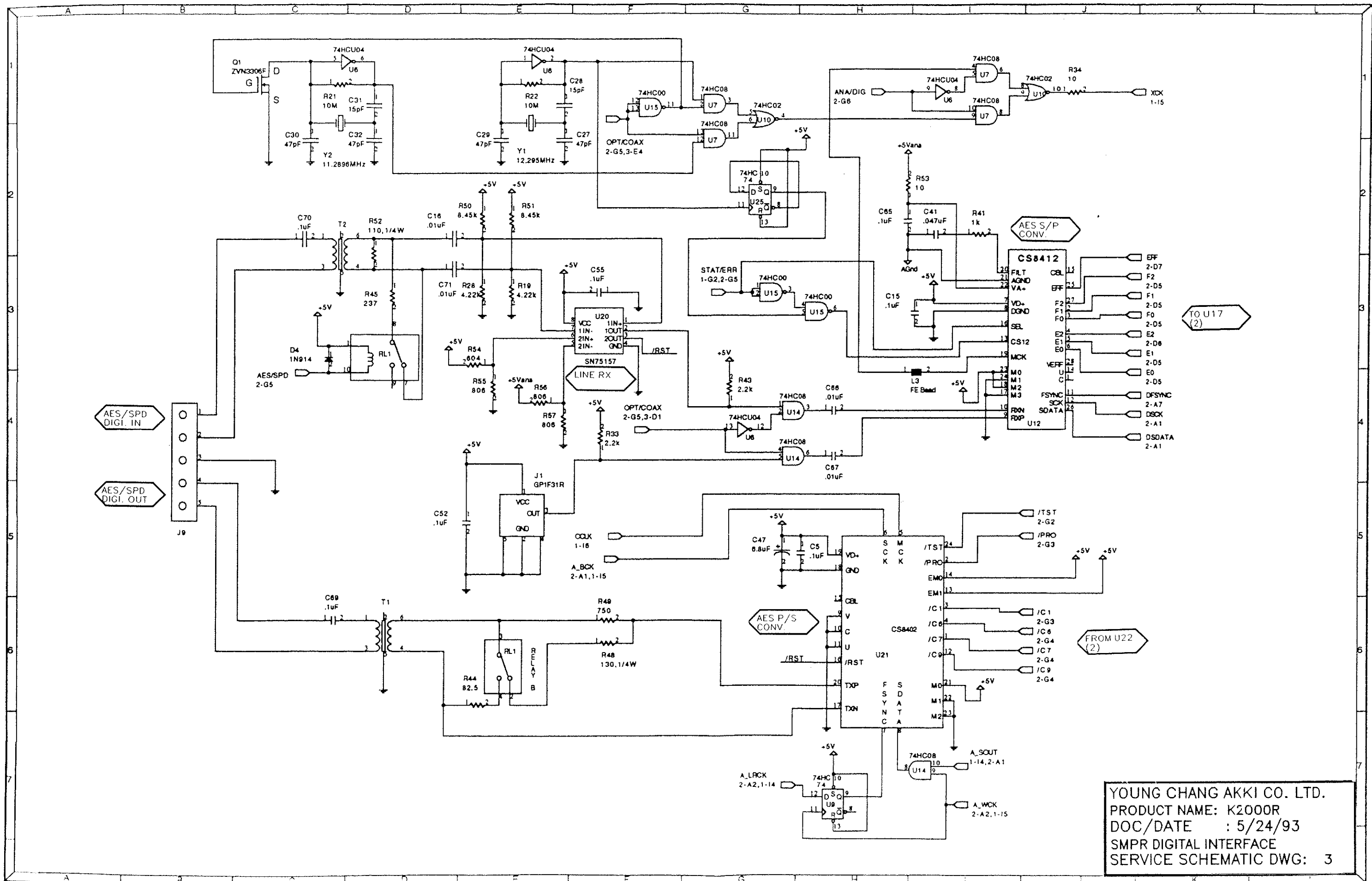
Left Channel

YOUNG CHANG AKKI CO. LTD.
 PRODUCT NAME: K2000R
 DOC/DATE : 5/24/93
 SMPR SAMPLING OPTION (A/D)
 SERVICE SCHEMATIC DWG: 1



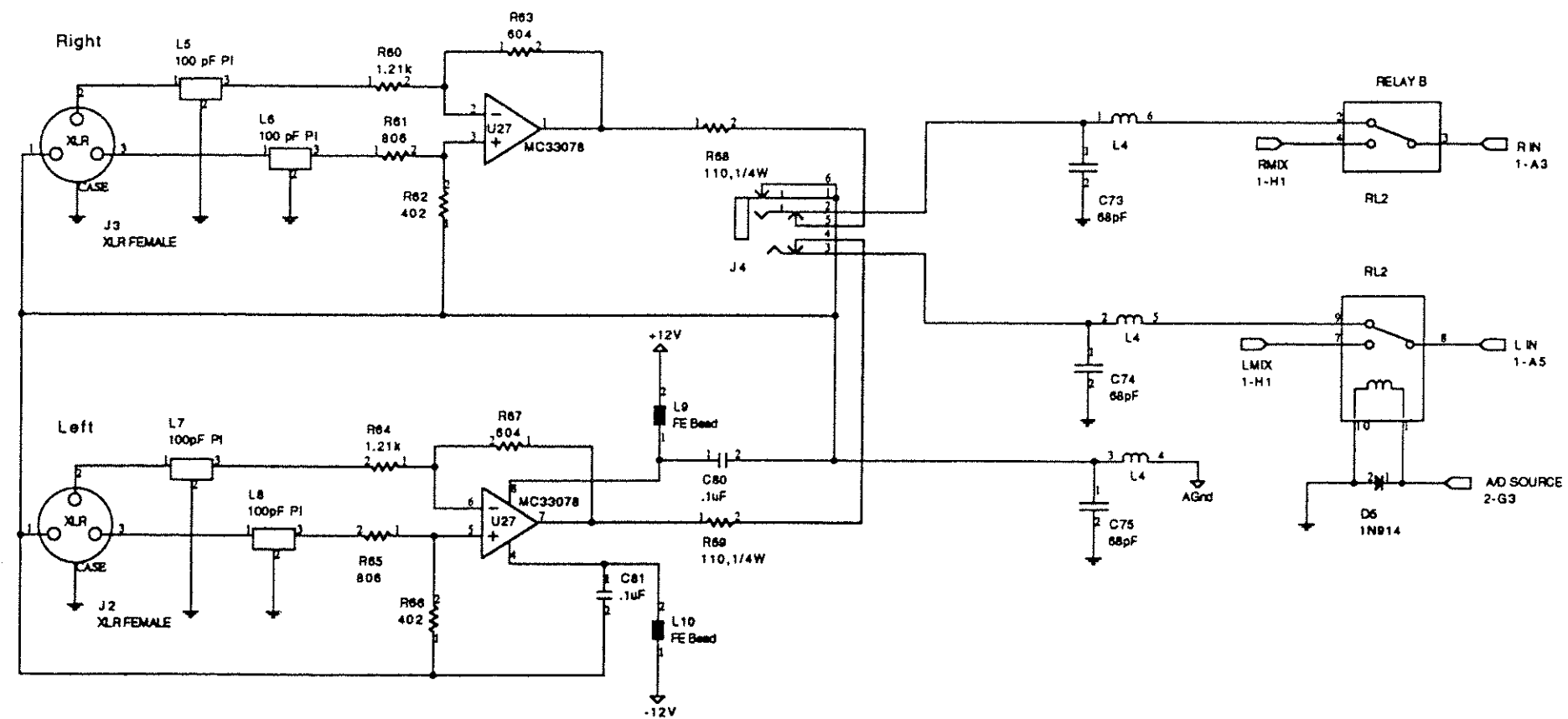
NOTE: TIE SIGNALS TO VCC/GND THRU TRACES

YOUNG CHANG AKKI CO. LTD.
PRODUCT NAME: K2000R
DOC/DATE : 5/24/93
SMPR SYSTEM INTERFACE
SERVICE SCHEMATIC DWG: 2

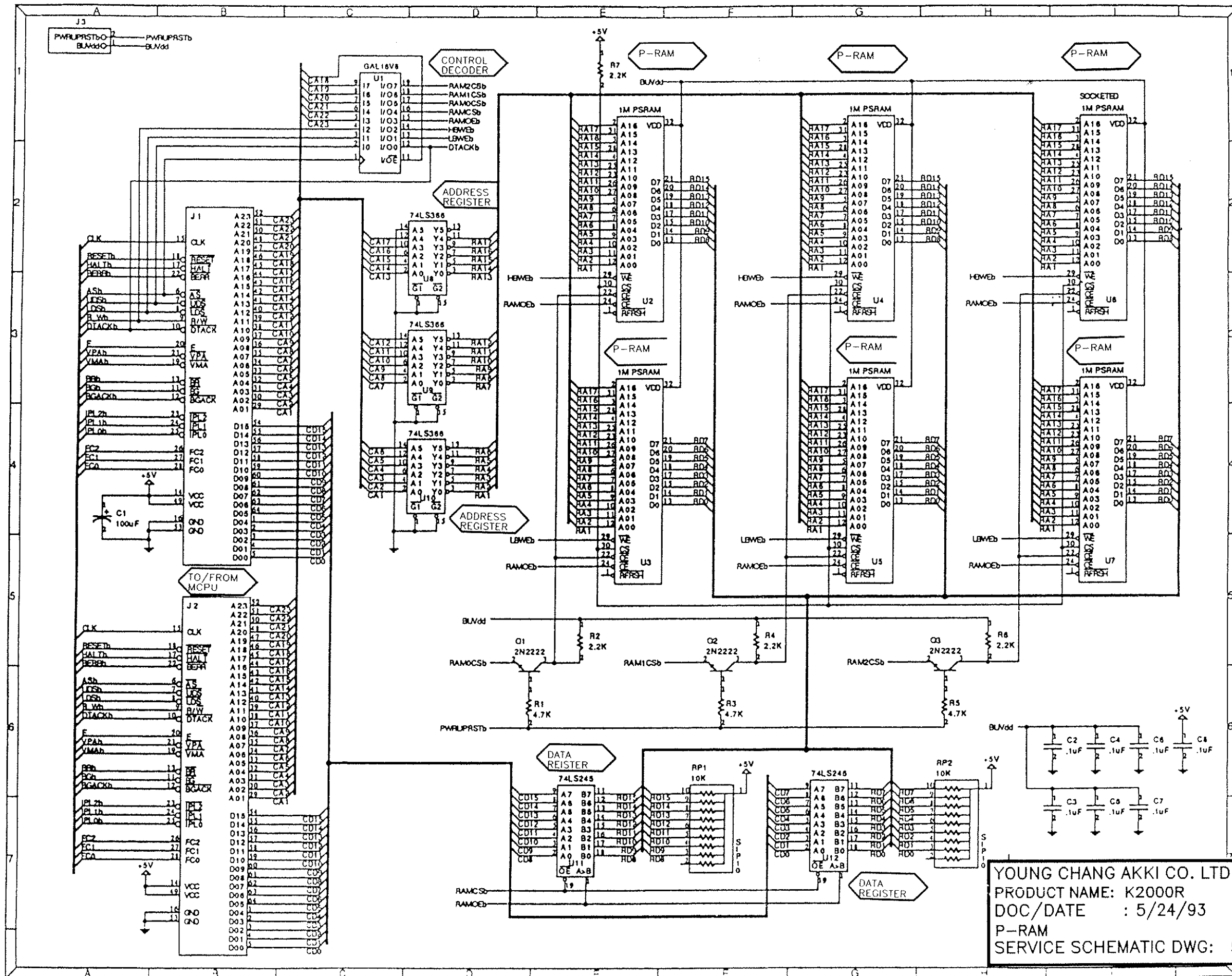


YOUNG CHANG AKKI CO. LTD.
 PRODUCT NAME: K2000R
 DOC/DATE : 5/24/93
 SMPR DIGITAL INTERFACE
 SERVICE SCHEMATIC DWG: 3

Analog Inputs



YOUNG CHANG AKKI CO. LTD.
PRODUCT NAME: K2000R
DOC/DATE : 5/24/93
DIFF AMPS
SERVICE SCHEMATIC DWG: 4



YOUNG CHANG AKKI CO. LTD.
 PRODUCT NAME: K2000R
 DOC/DATE : 5/24/93
 P-RAM
 SERVICE SCHEMATIC DWG: 5