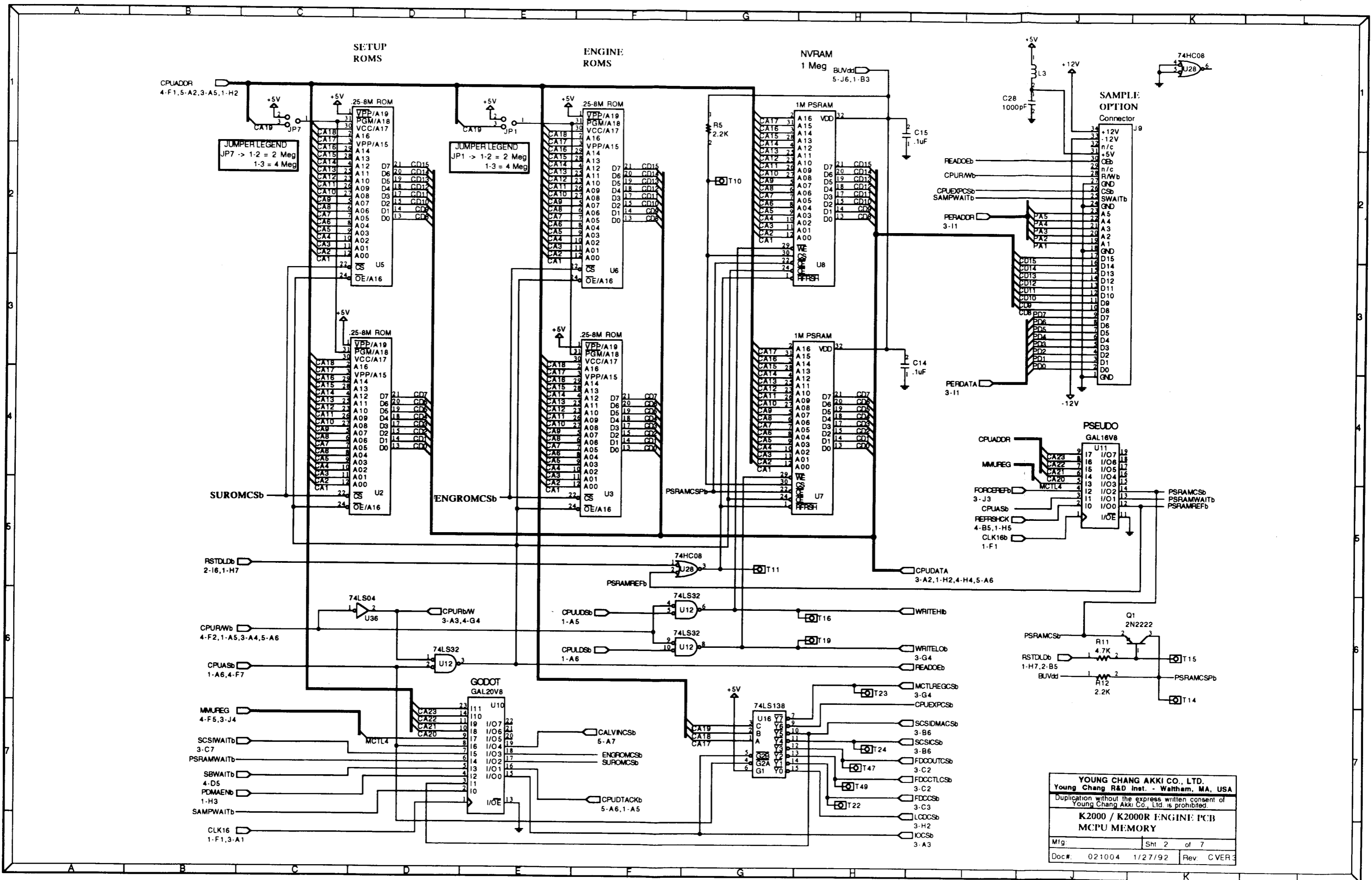
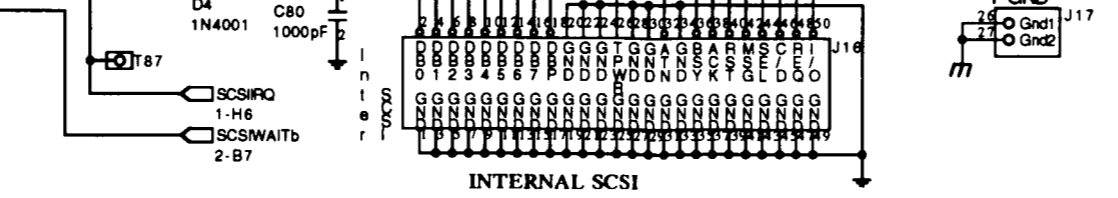
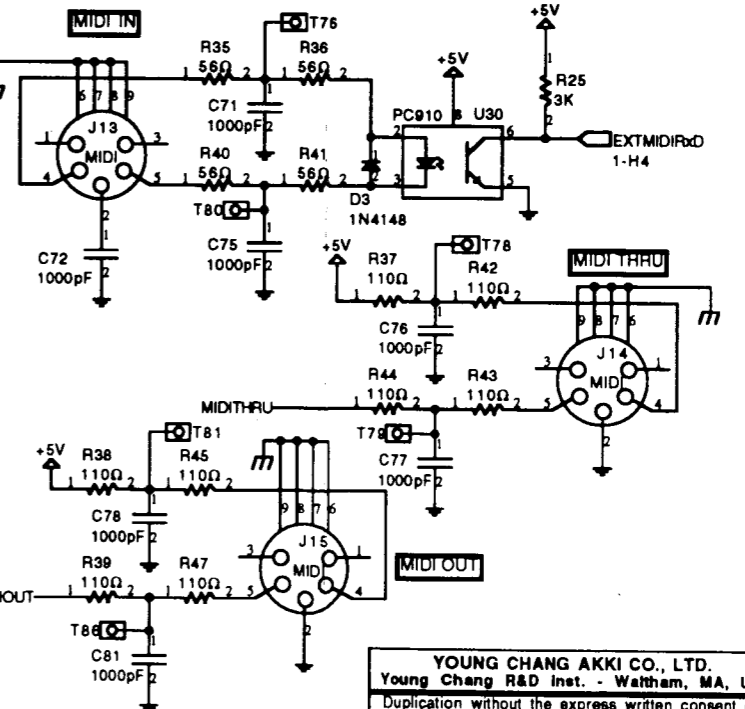
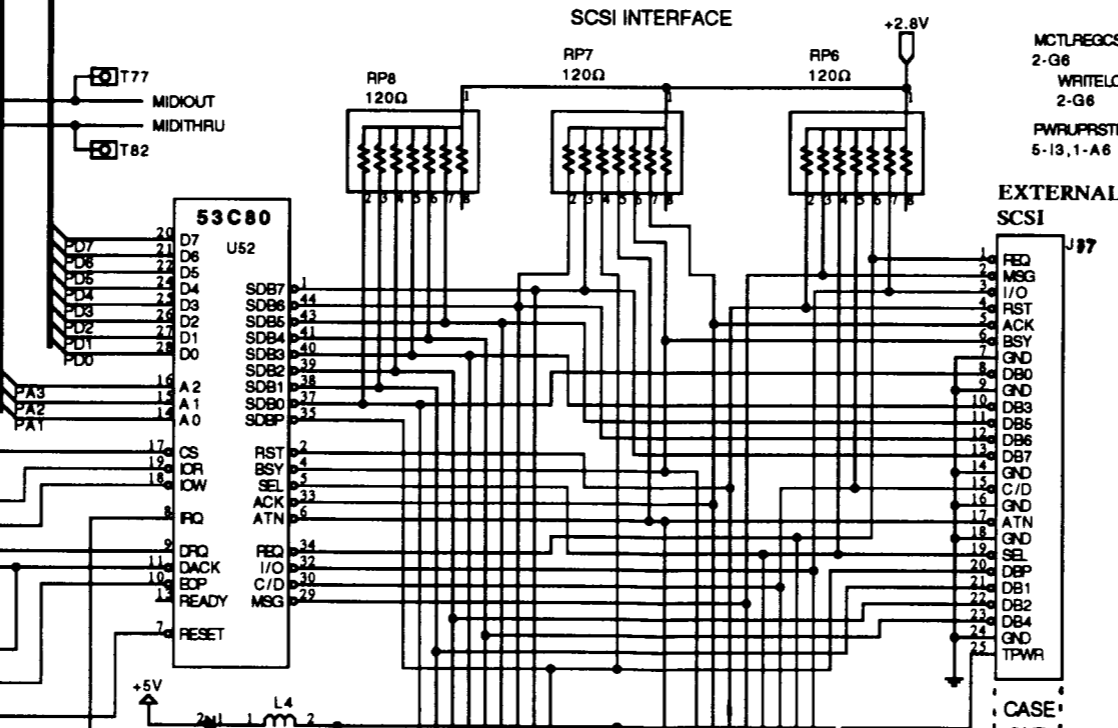
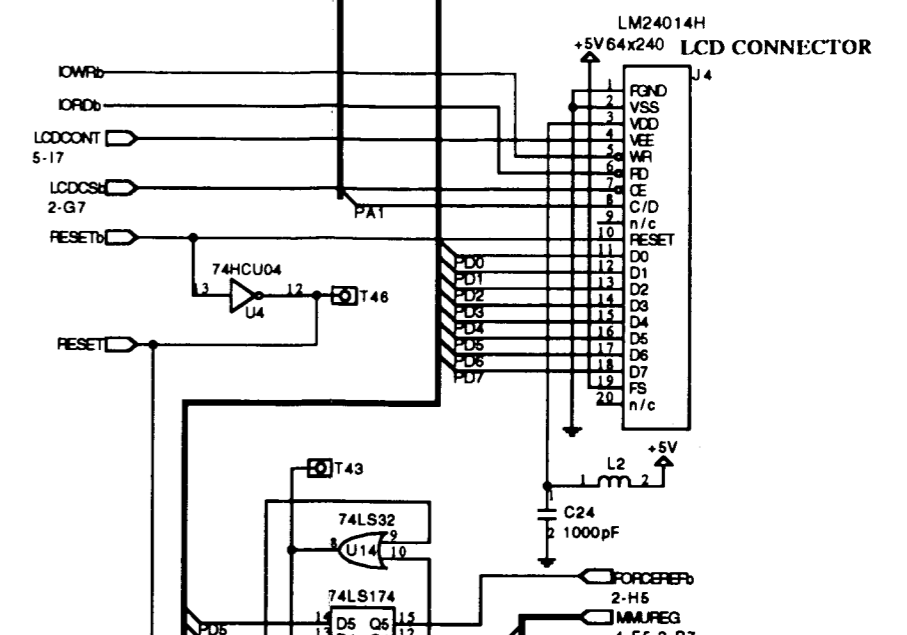
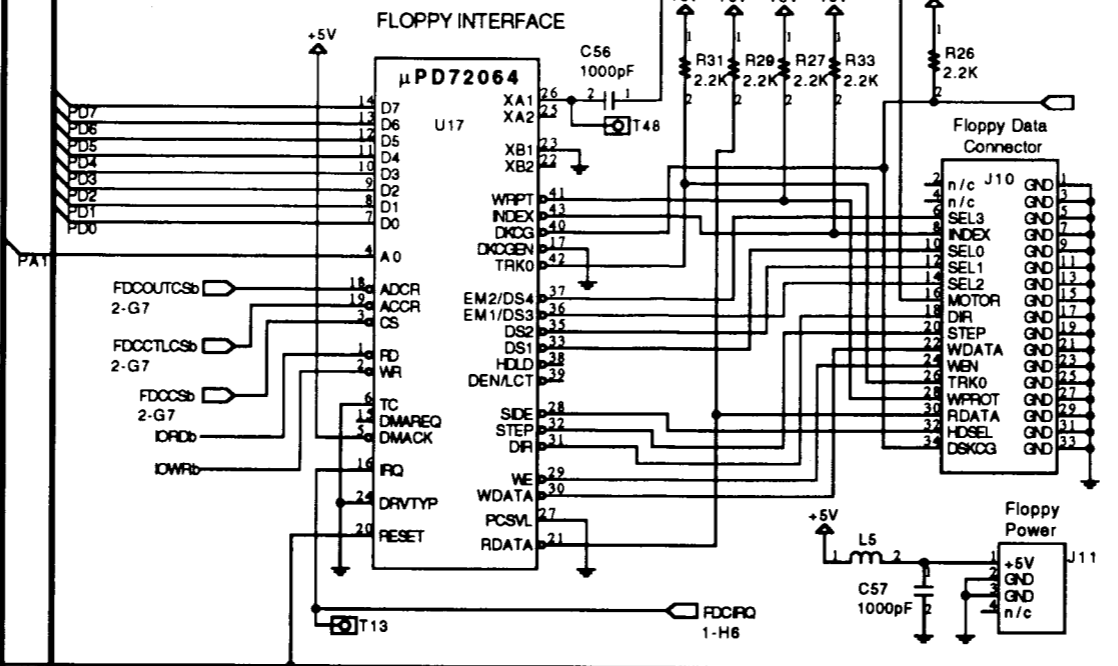
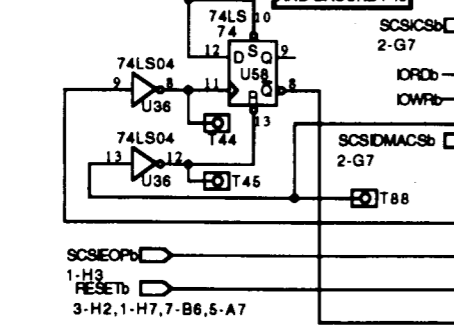
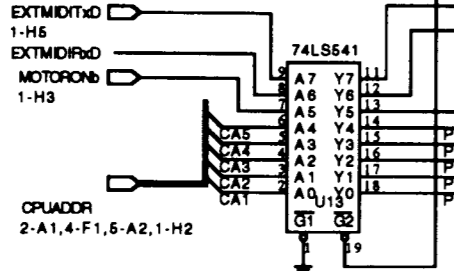
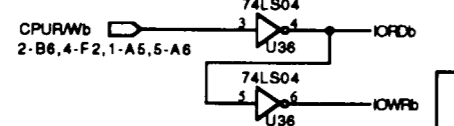
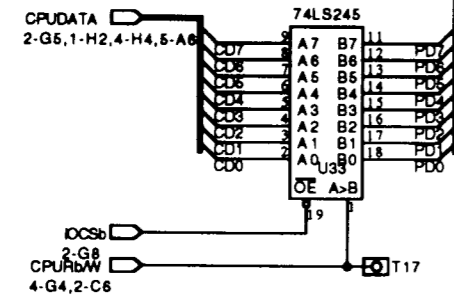
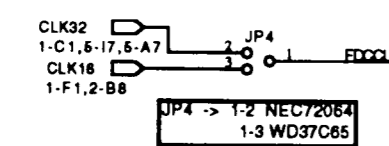


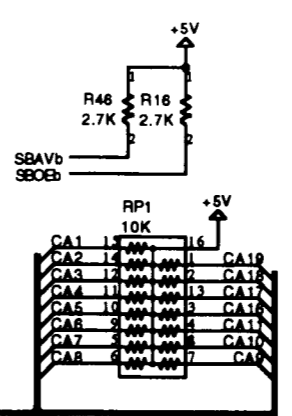
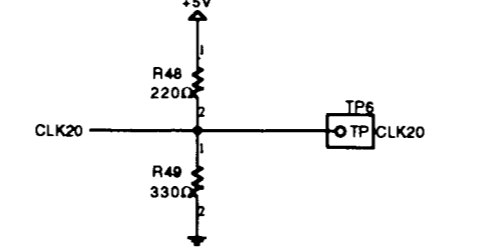
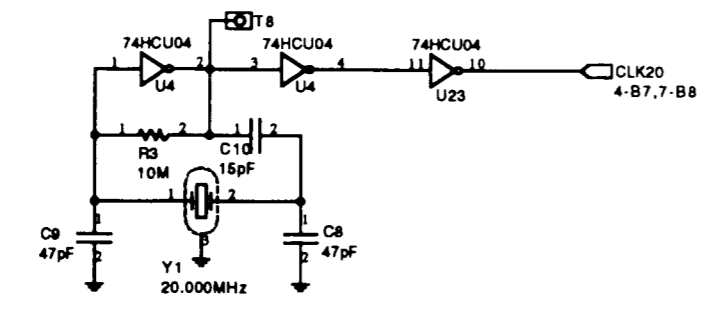
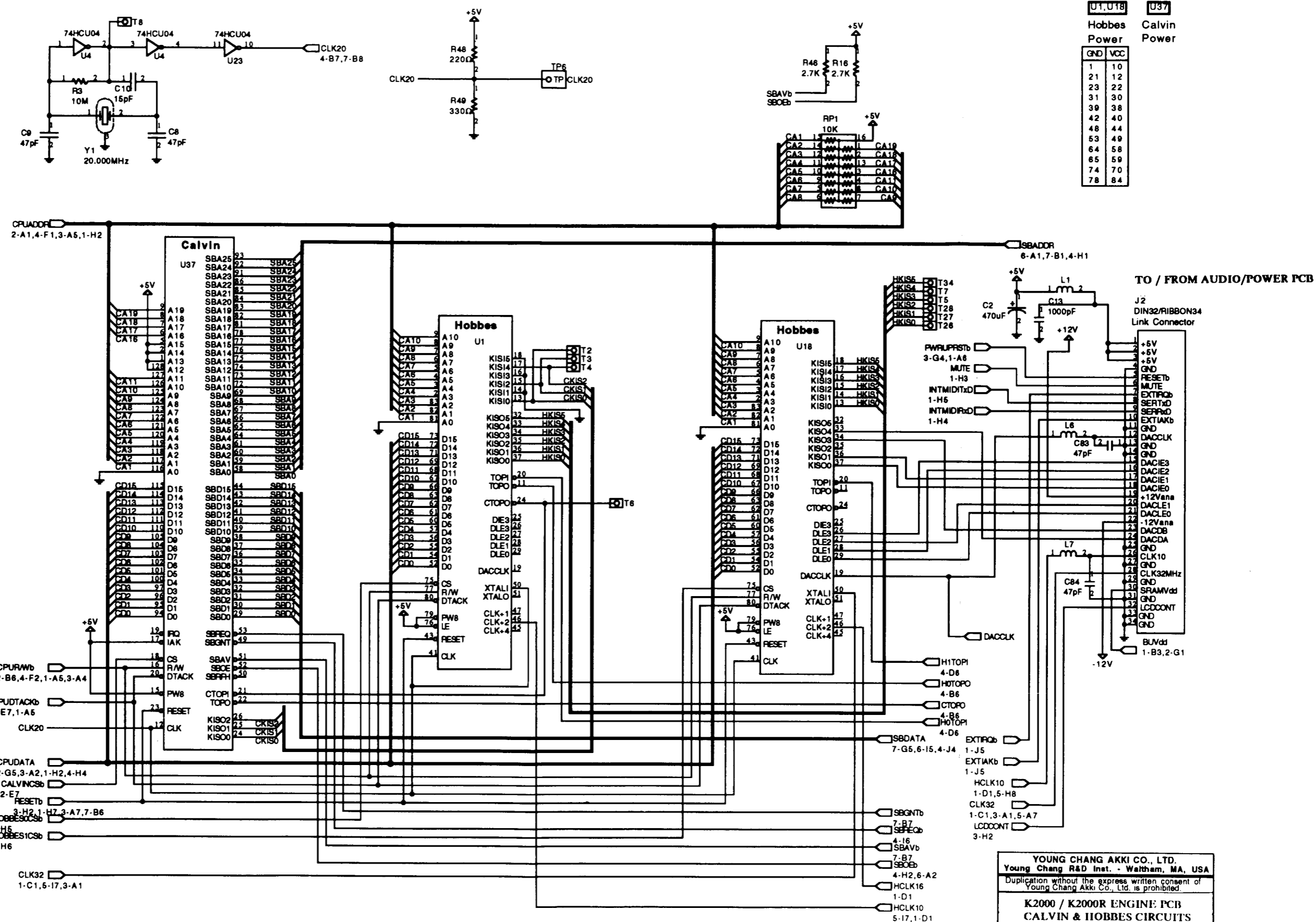
YOUNG CHANG AKKI CO., LTD.
 Young Chang R&D Inst. - Waltham, MA, USA
 Duplication without the express written consent of
 Young Chang Akki Co., Ltd. is prohibited.
K2000 / K2000R ENGINE PCB
MCPU
 Mfg _____ Sht 1 of 7
 Doc# 021004 1/27/92 Rev. C VER 3



YOUNG CHANG AKKI CO., LTD.
 Young Chang R&D Inst. - Waltham, MA, USA
 Duplication without the express written consent of
 Young Chang Akki Co., Ltd. is prohibited.
K2000 / K2000R ENGINE PCB
MCPU MEMORY
 Mfg: _____ Sht 2 of 7
 Doc#: 021004 1/27/92 Rev. C VER3



YOUNG CHANG AKKI CO., LTD.
 Young Chang R&D Inst. - Waltham, MA, USA
 Duplication without the express written consent of
 Young Chang Akki Co., Ltd. is prohibited.
K2000 / K2000R ENGINE
PERIPHERALS INTERFACE
 Mfg: _____ Sht 3 of 7
 Doc#: 021004 1/27/92 Rev: CVER3



U1, U18		U37	
Hobbes		Calvin	
Power		Power	
GND	VCC	GND	VCC
1	10	21	12
21	12	23	22
23	22	31	30
31	30	39	38
39	38	42	40
42	40	48	44
48	44	53	49
53	49	64	58
64	58	65	59
65	59	74	70
74	70	78	84
78	84		

CPUADDR
2-A1,4-F1,3-A5,1-H2

CPURWb
2-B8,4-F2,1-A5,3-A4

CPUDTACKb
2-E7,1-A5

CLK20

CPUDATA
2-G5,3-A2,1-H2,4-H4

CALVINCsb
2-E7

RESEtb
3-H2,1-H7,3-A7,7-B6

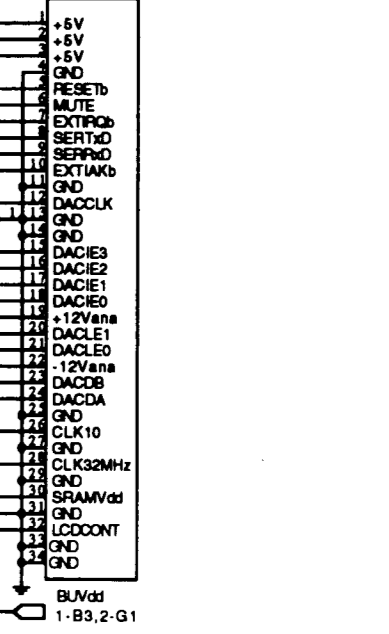
HOBBSCSb
1-H5

HOBBSICSb
1-H6

CLK32
1-C1,5-17,3-A1

TO / FROM AUDIO/POWER PCB

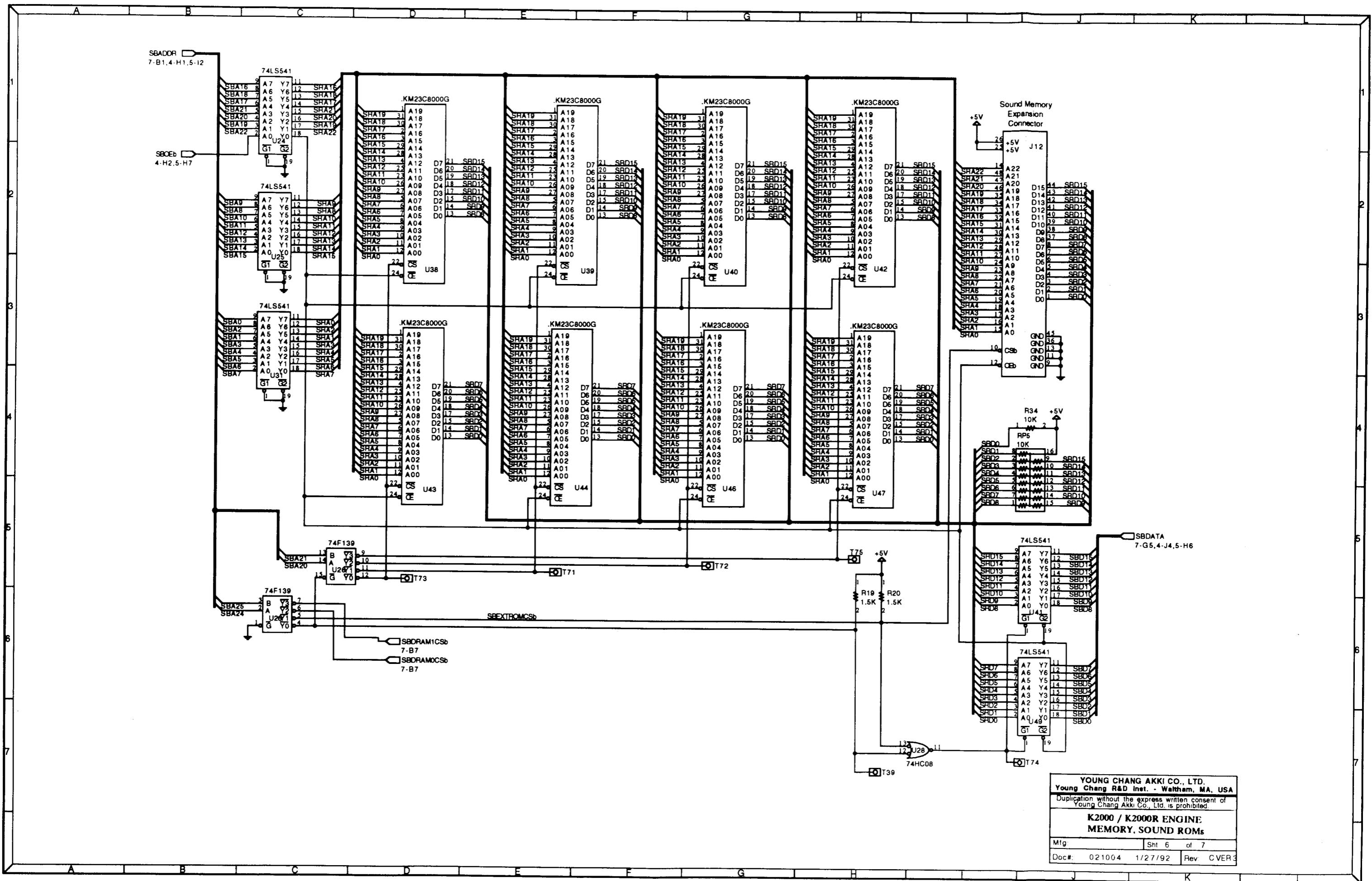
J2
DIN32/RIBBON34
Link Connector



YOUNG CHANG AKKI CO., LTD.
Young Chang R&D Inst. - Waltham, MA, USA
Duplication without the express written consent of
Young Chang Akki Co., Ltd. is prohibited.

**K2000 / K2000R ENGINE PCB
CALVIN & HOBBS CIRCUITS**

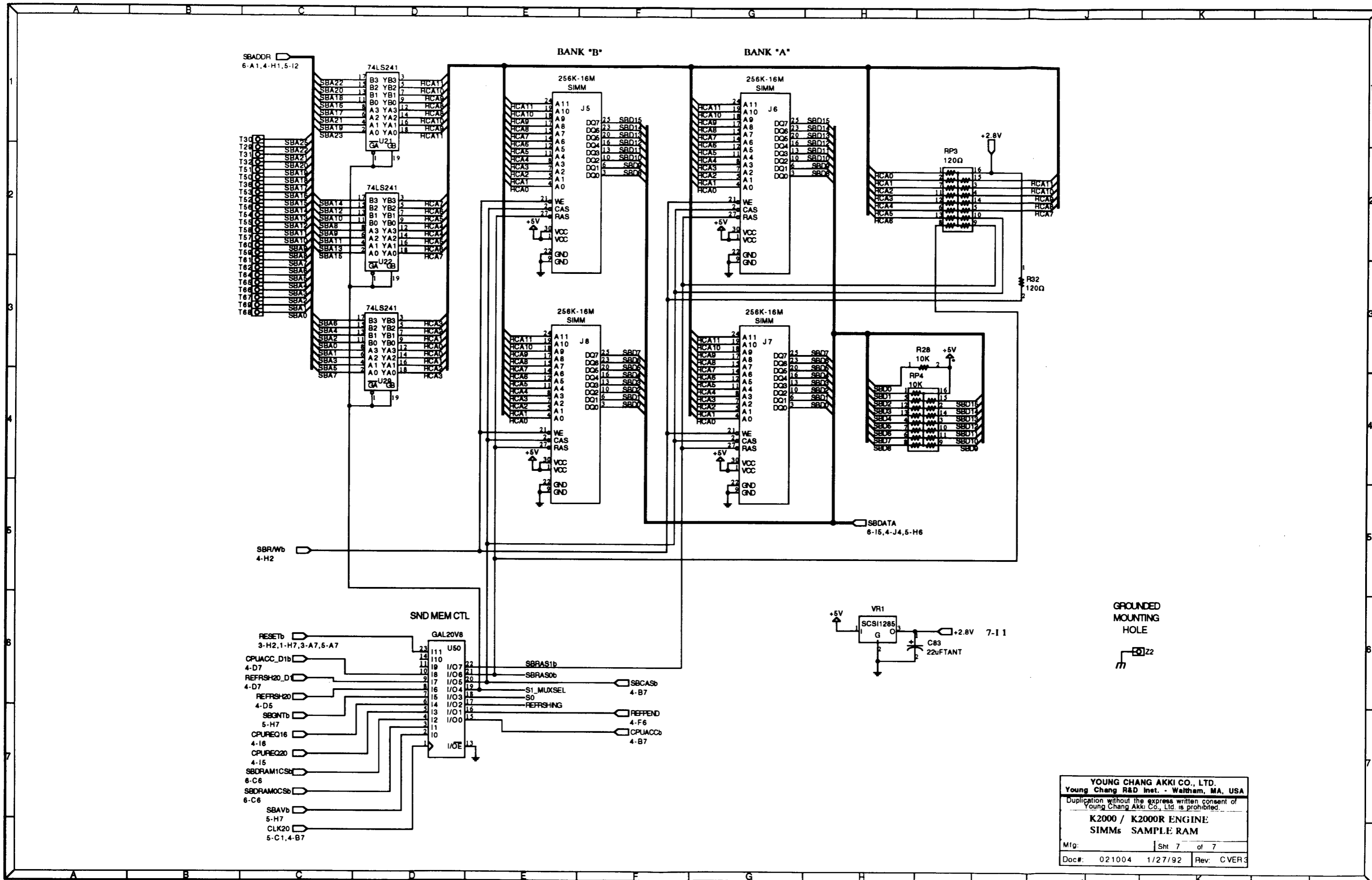
Mfg: Sht 5 of 7
Doc#: 021004 1/27/92 Rev: C VER 3



YOUNG CHANG AKKI CO., LTD.
 Young Chang R&D Inst. - Waltham, MA, USA
 Duplication without the express written consent of
 Young Chang Akki Co., Ltd. is prohibited.

**K2000 / K2000R ENGINE
 MEMORY, SOUND ROMs**

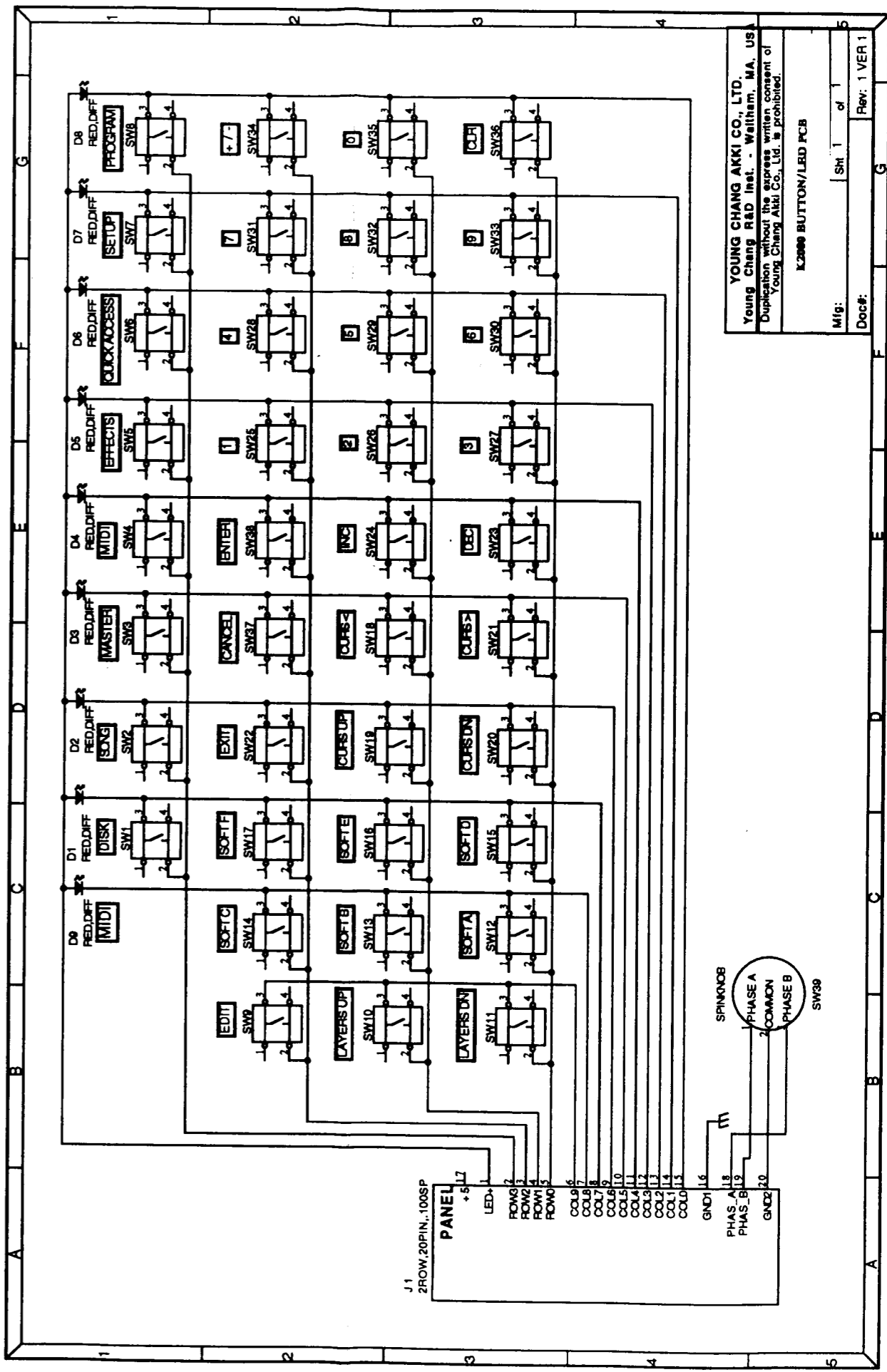
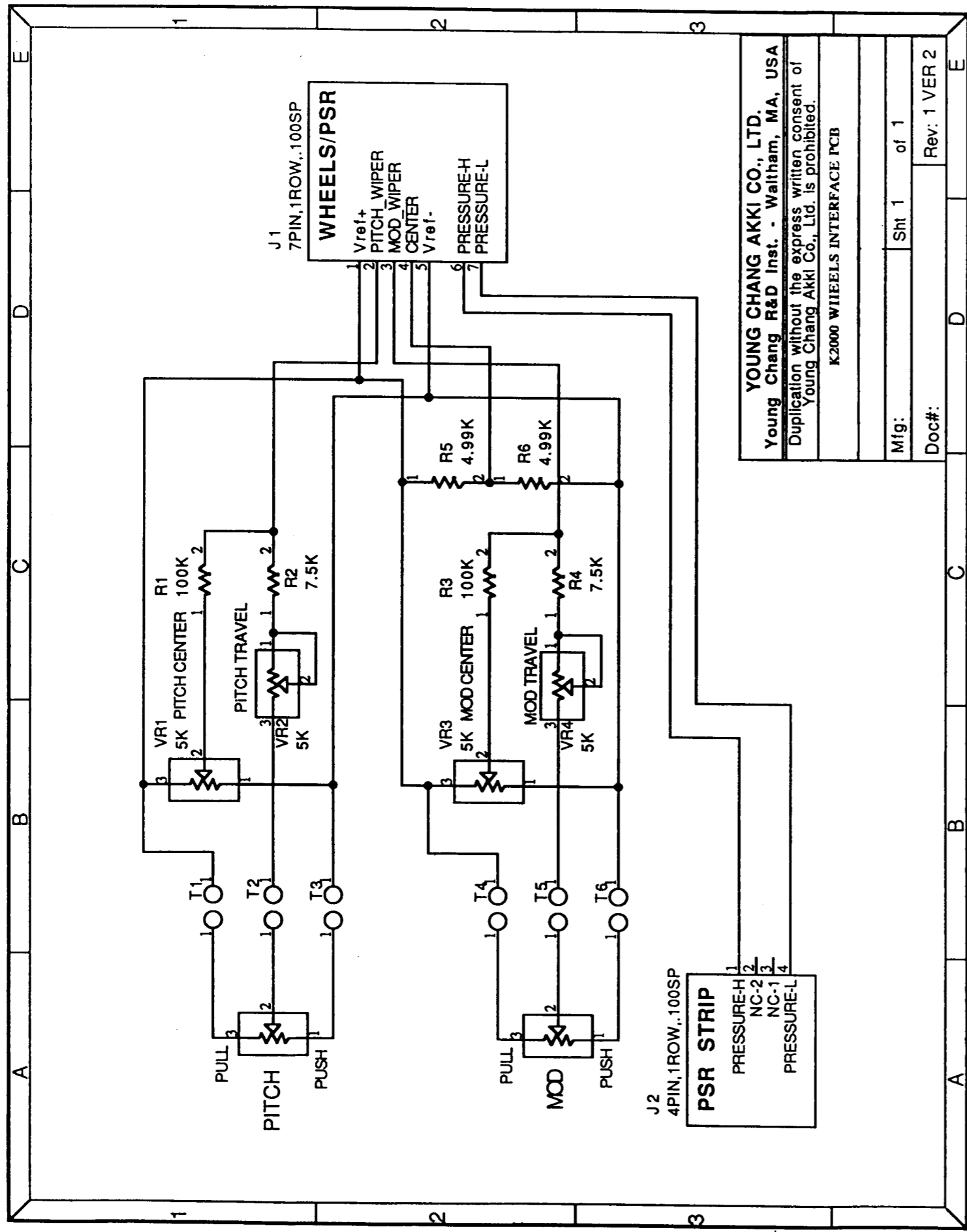
Mfg. Sht 6 of 7
 Doc#: 021004 1/27/92 Rev CVER3

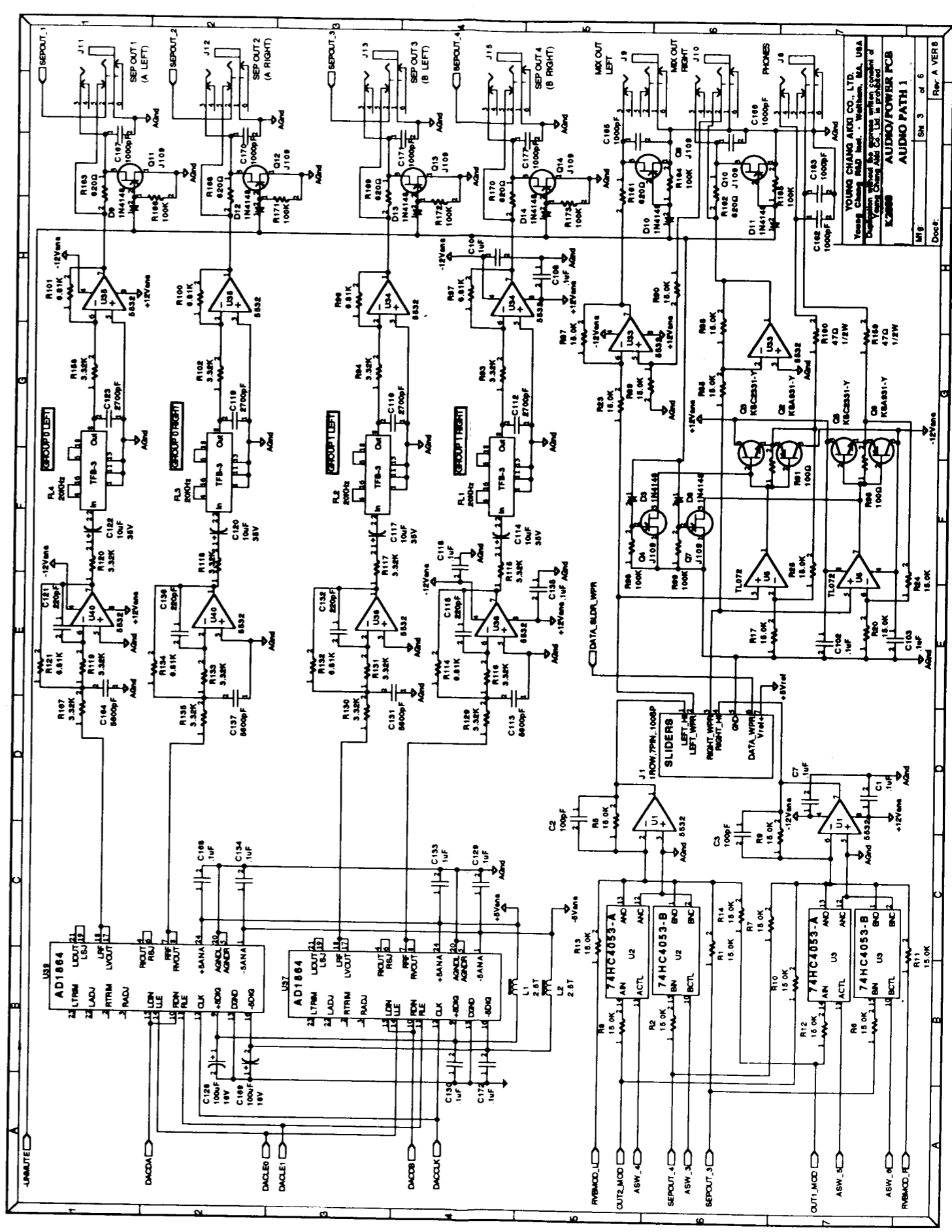
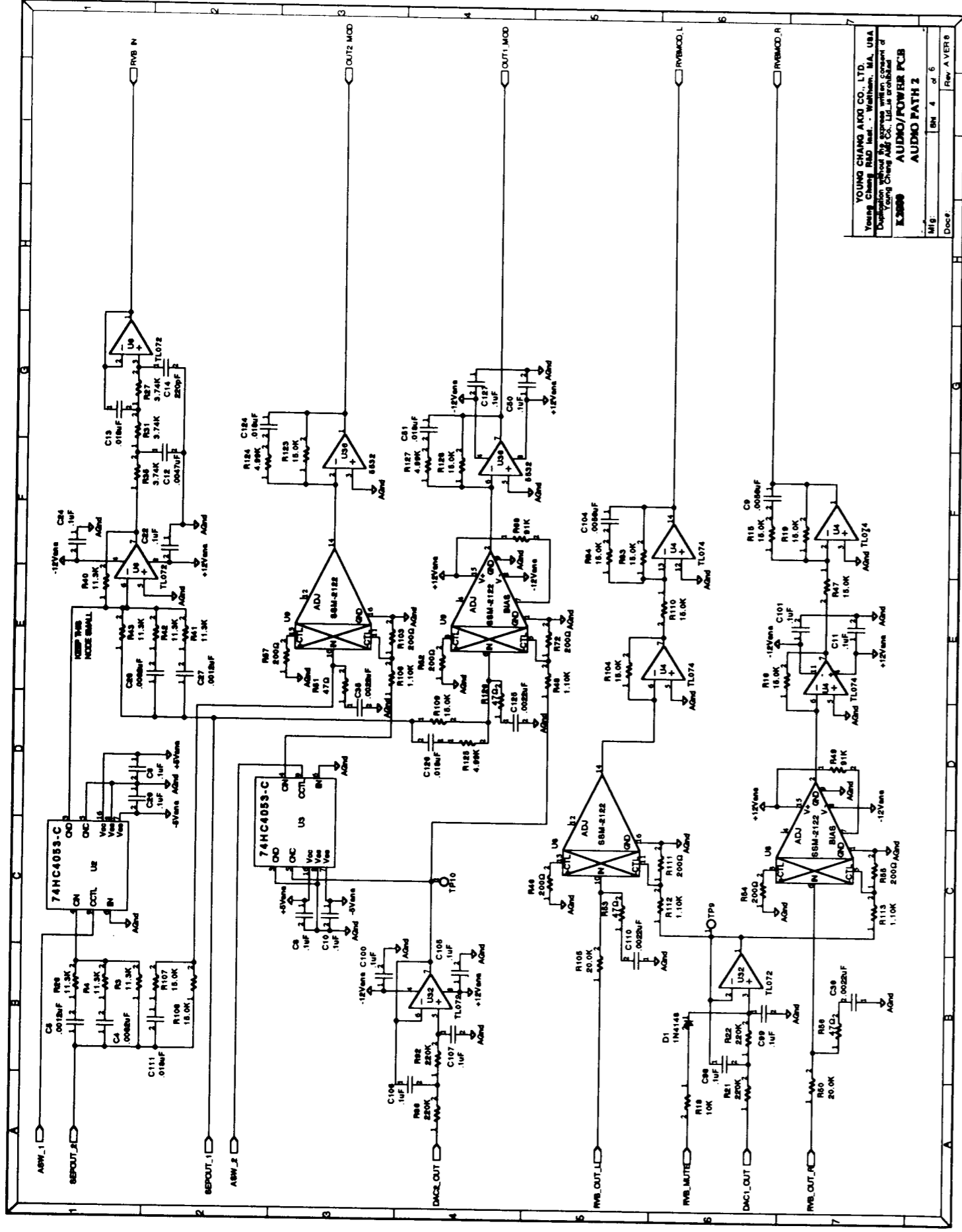


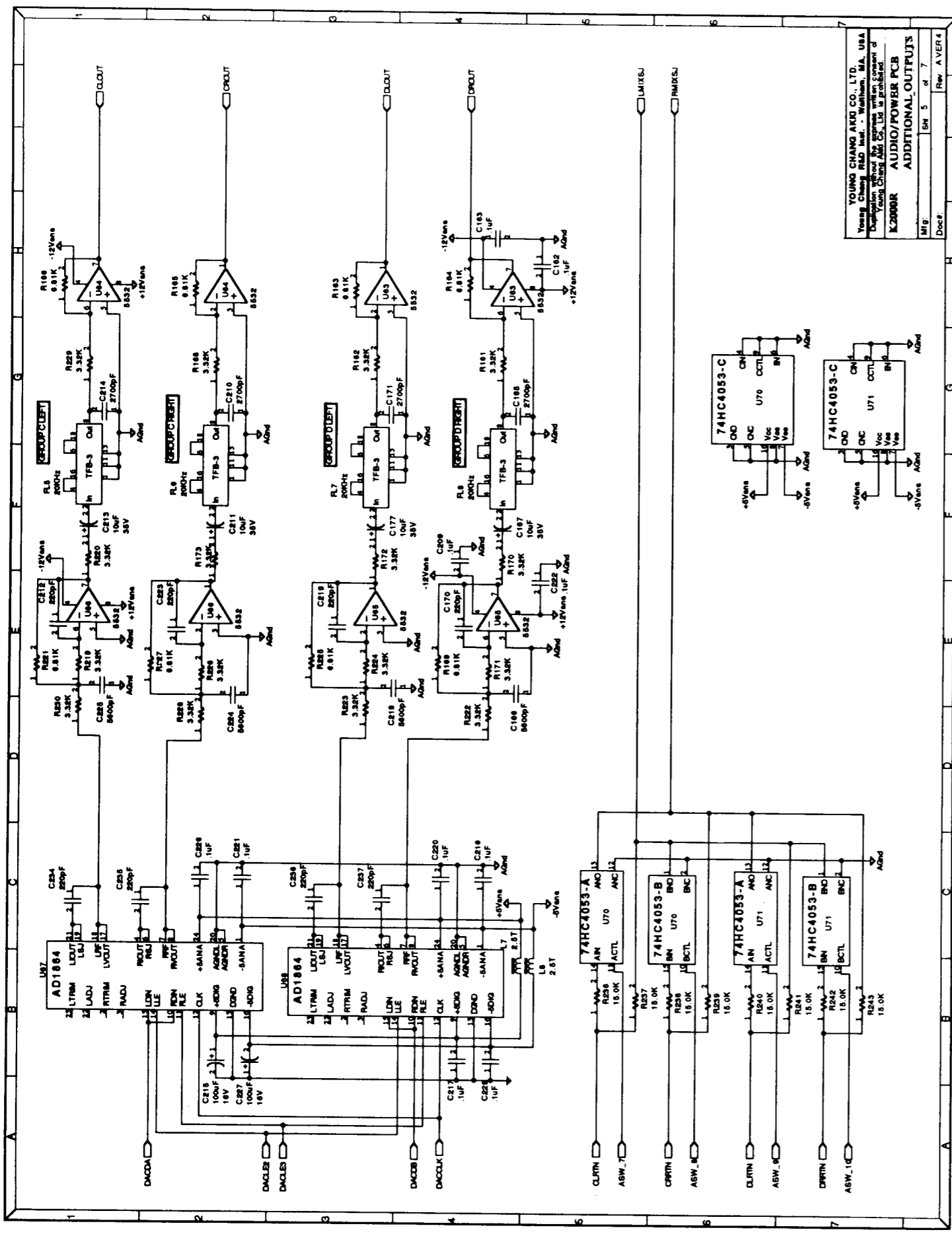
YOUNG CHANG AKKI CO., LTD.
 Young Chang R&D Inst. - Waltham, MA, USA
 Duplication without the express written consent of
 Young Chang Akki Co., Ltd. is prohibited.

K2000 / K2000R ENGINE
SIMMs SAMPLE RAM

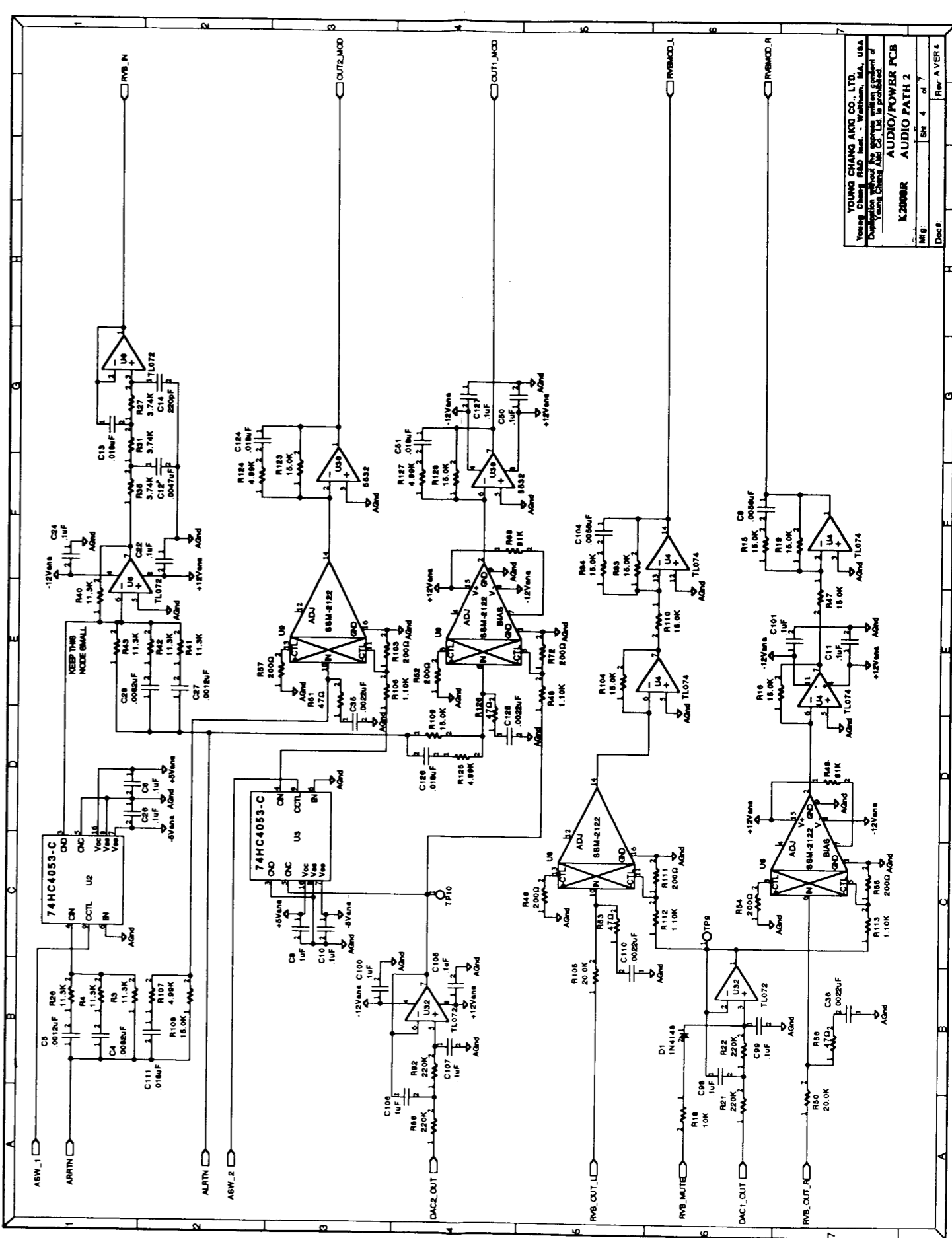
Mfg: _____ Sht 7 of 7
 Doc#: 021004 1/27/92 Rev: CVER3



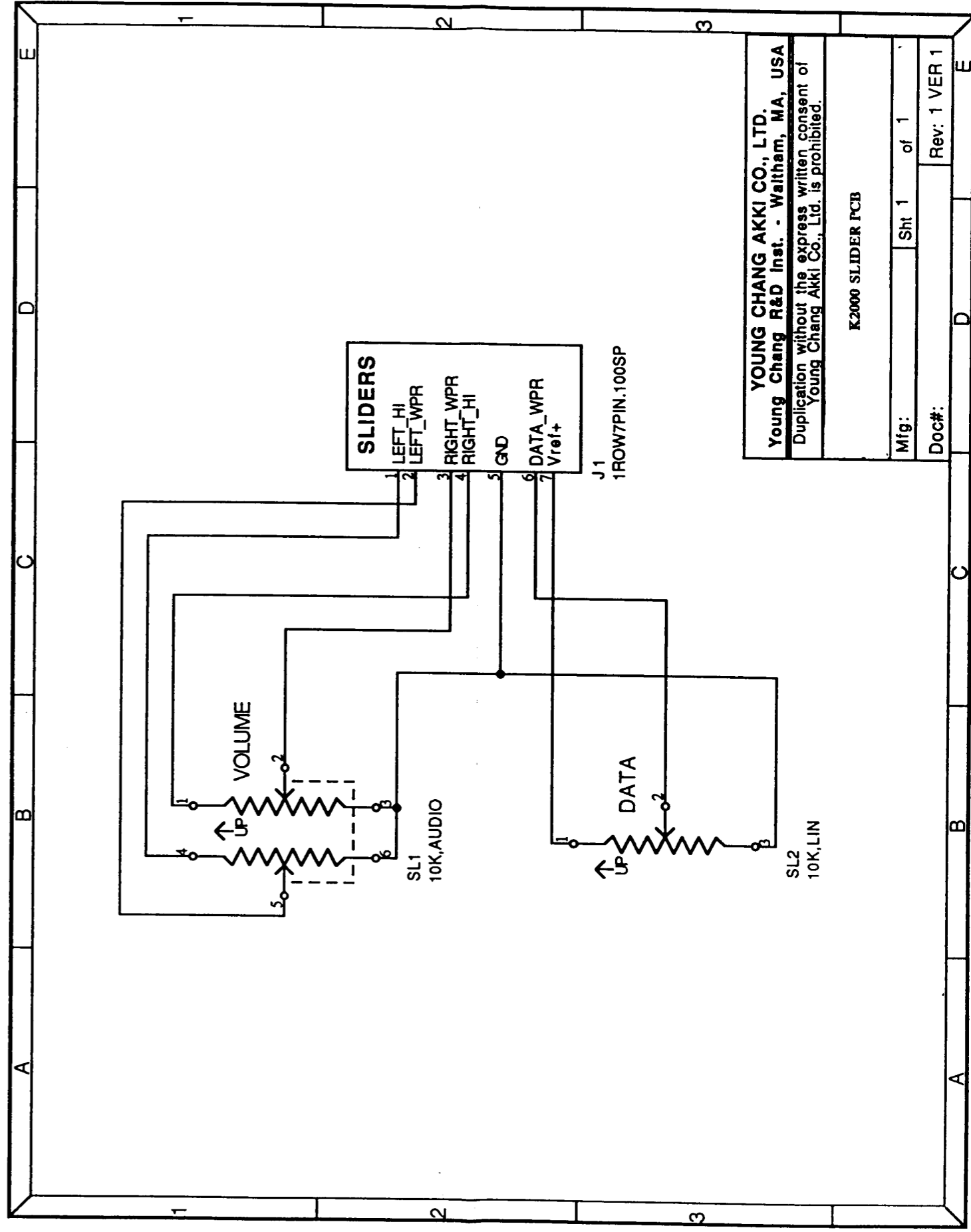
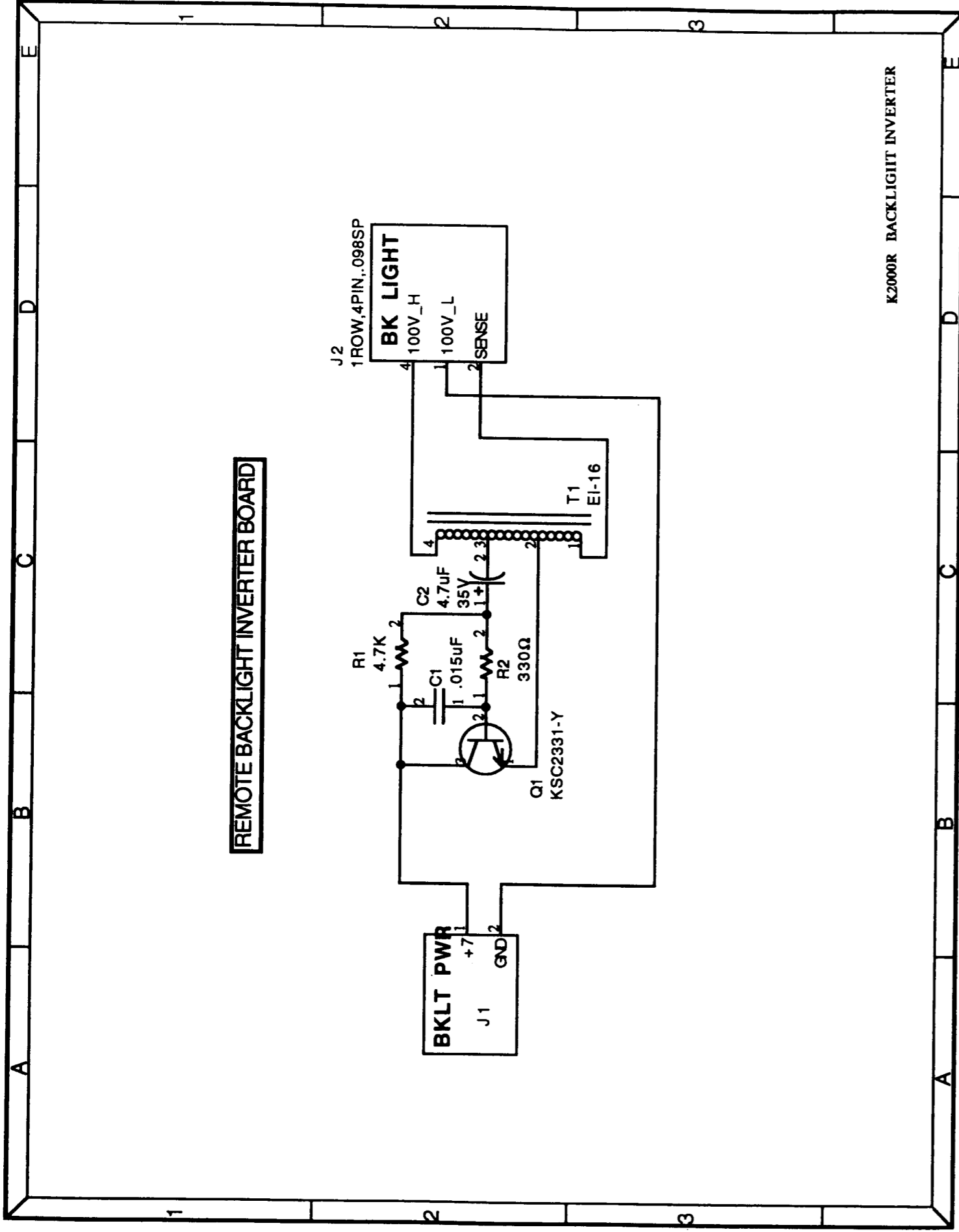


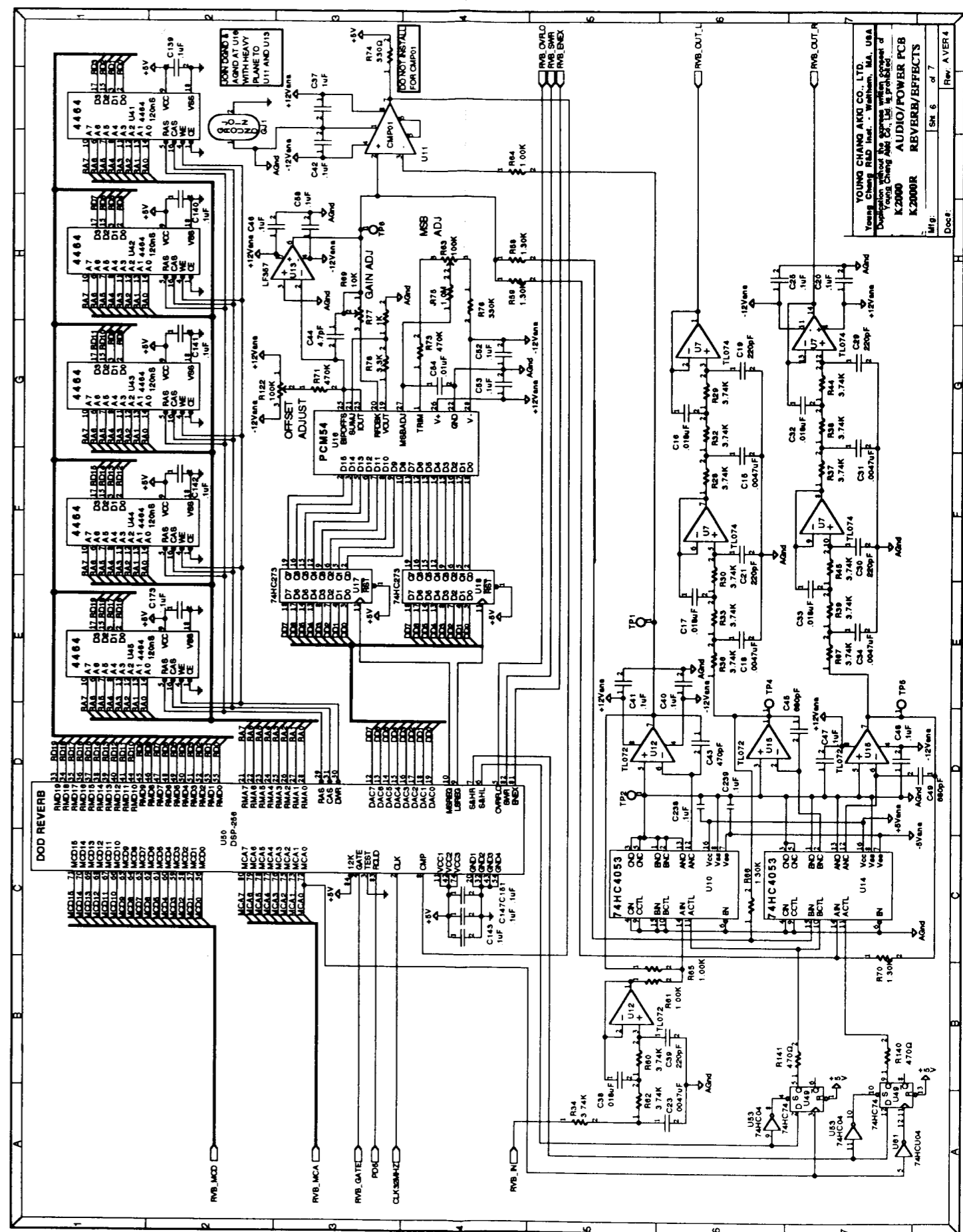
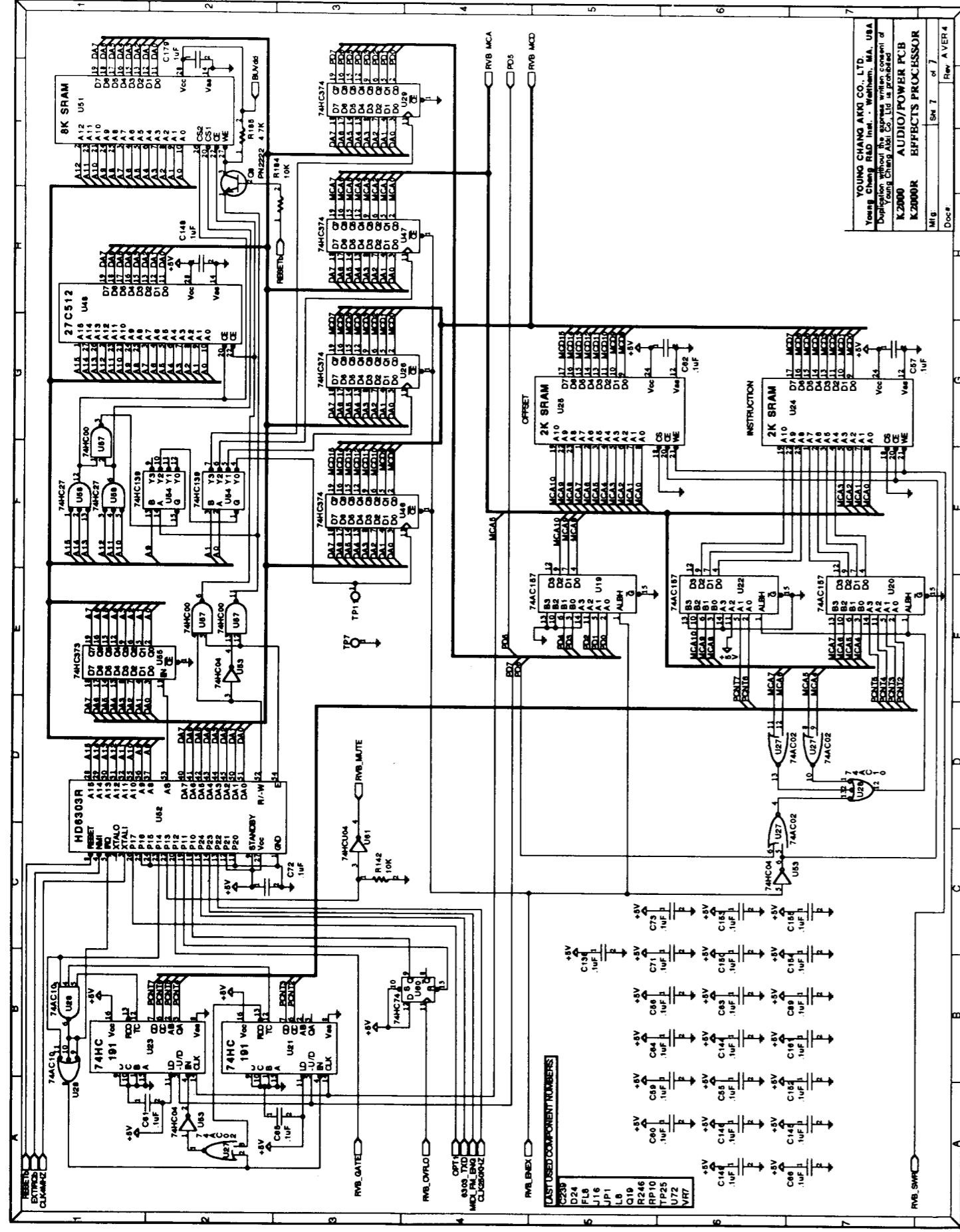


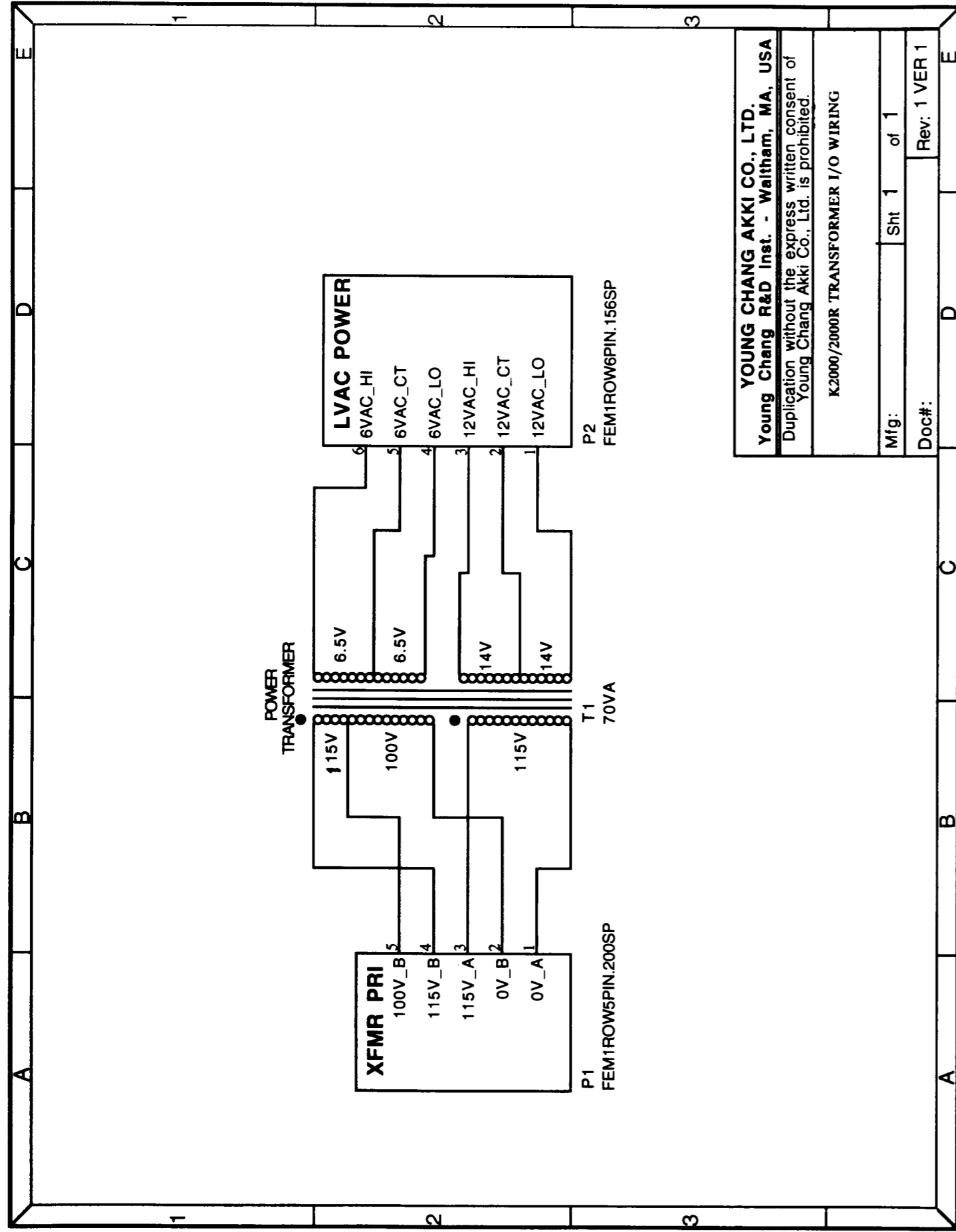
YOUNG CHANG AKKI CO. LTD.
 Young Chang RAD Inst. - Waltham, MA, USA
 Distribution without the express written consent of
 Young Chang Akki Co. Ltd. is prohibited.
K2000R AUDIO/POWER PCB
 ADDITIONAL OUTPUTS
 MFB: SN 5 of 7
 Doc# Rev. A VER 4



YOUNG CHANG AKKI CO. LTD.
 Young Chang RAD Inst. - Waltham, MA, USA
 Distribution without the express written consent of
 Young Chang Akki Co. Ltd. is prohibited.
K2000R AUDIO/POWER PCB
 ADDITIONAL OUTPUTS
 MFB: SN 4 of 7
 Doc# Rev. A VER 4







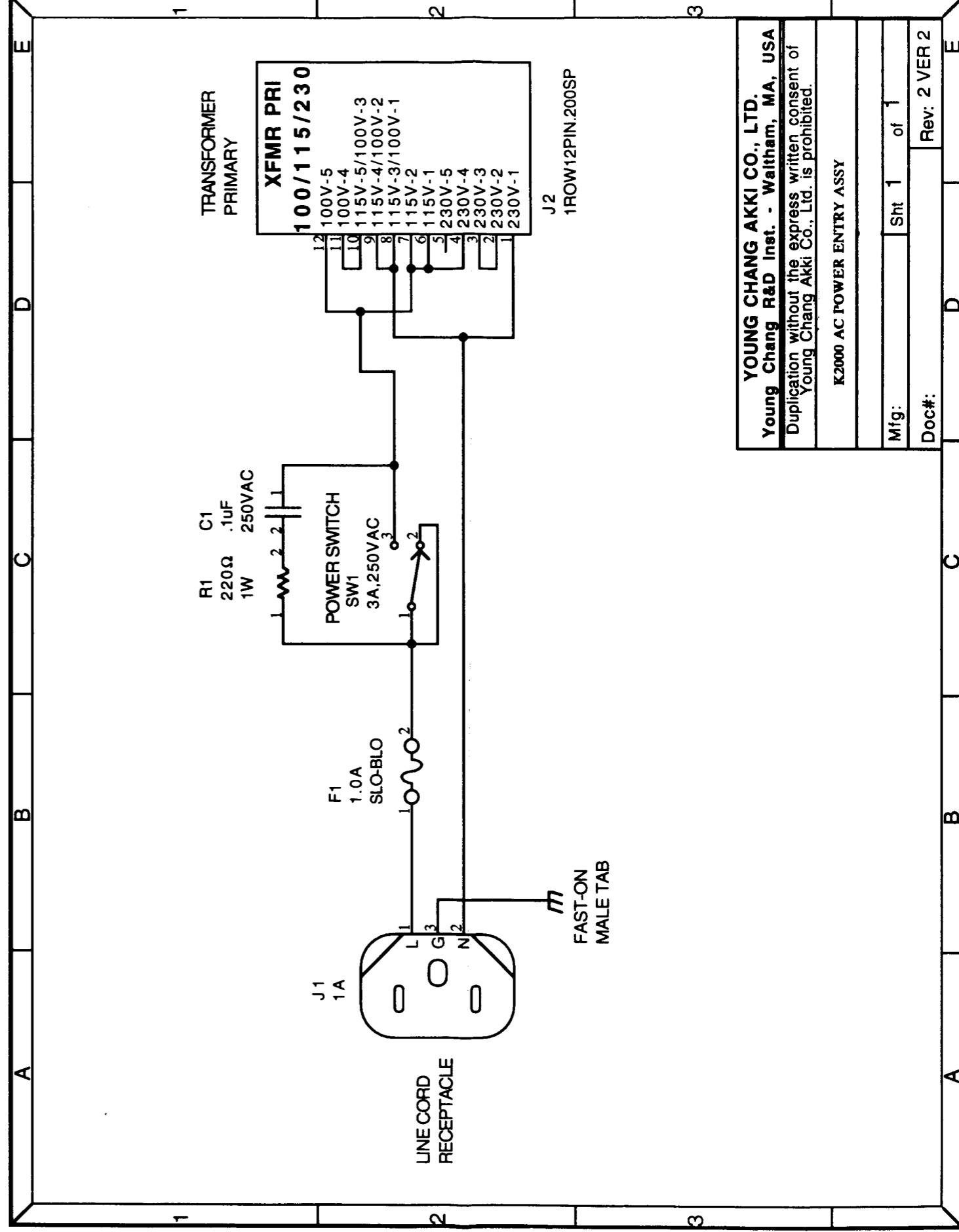
YOUNG CHANG AKKI CO., LTD.
 Young Chang R&D Inst. - Waltham, MA, USA

Duplication without the express written consent of Young Chang Akki Co., Ltd. is prohibited.

K2000/2000R TRANSFORMER I/O WIRING

Mfg: Sht 1 of 1

Doc#: Rev: 1 VER 1



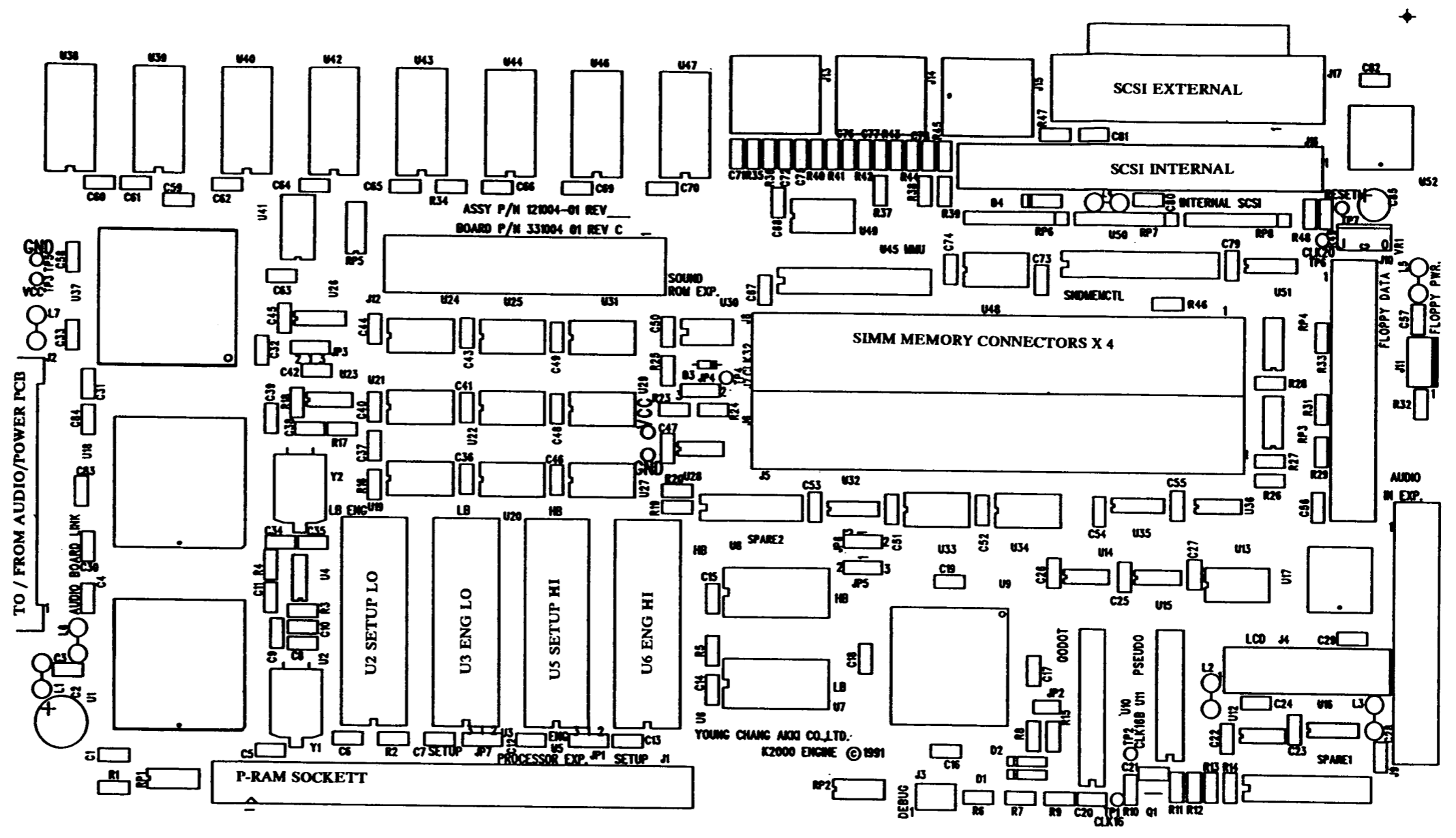
YOUNG CHANG AKKI CO., LTD.
 Young Chang R&D Inst. - Waltham, MA, USA

Duplication without the express written consent of Young Chang Akki Co., Ltd. is prohibited.

K2000 AC POWER ENTRY ASSY

Mfg: Sht 1 of 1

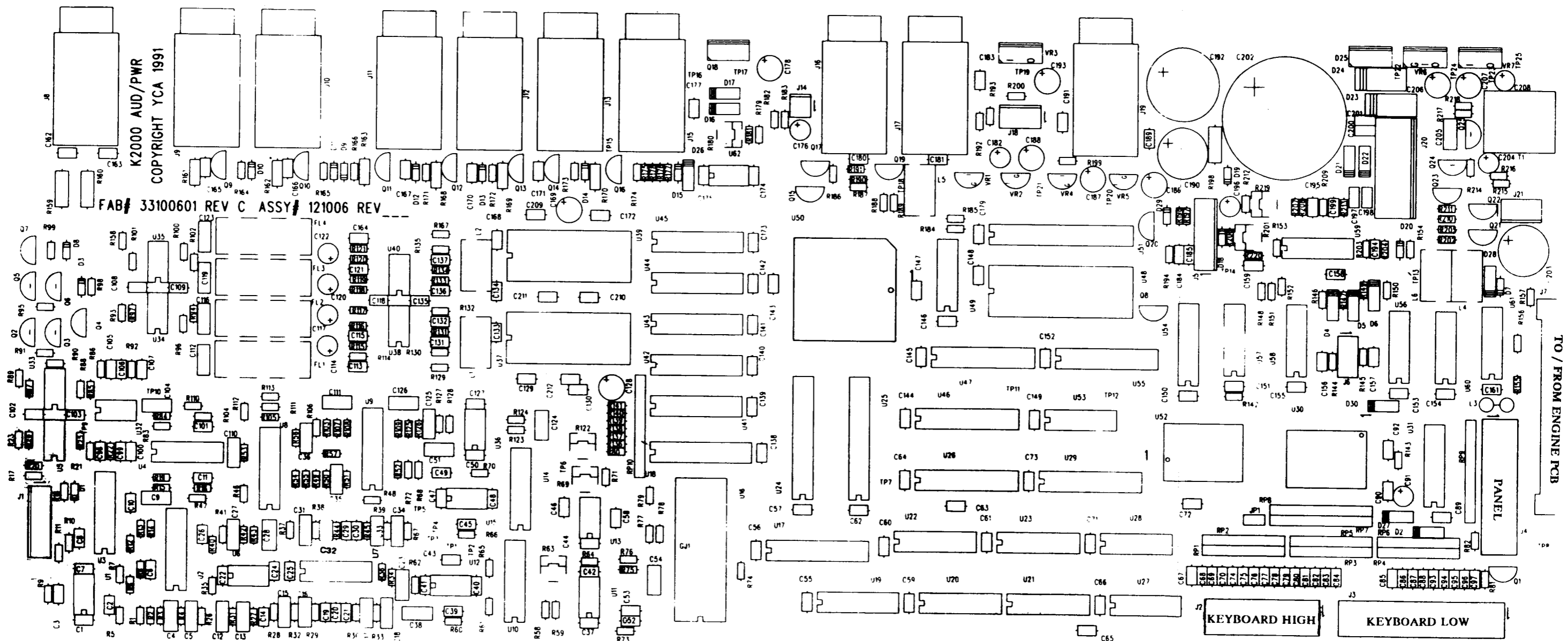
Doc#: Rev: 2 VER 2



K2000 / K2000R PCB

K2000 AUD/PWR
COPYRIGHT YCA 1991

FAB 33100601 REV C ASSY 121006 REV



K2000 AUDIO/POWER PCB