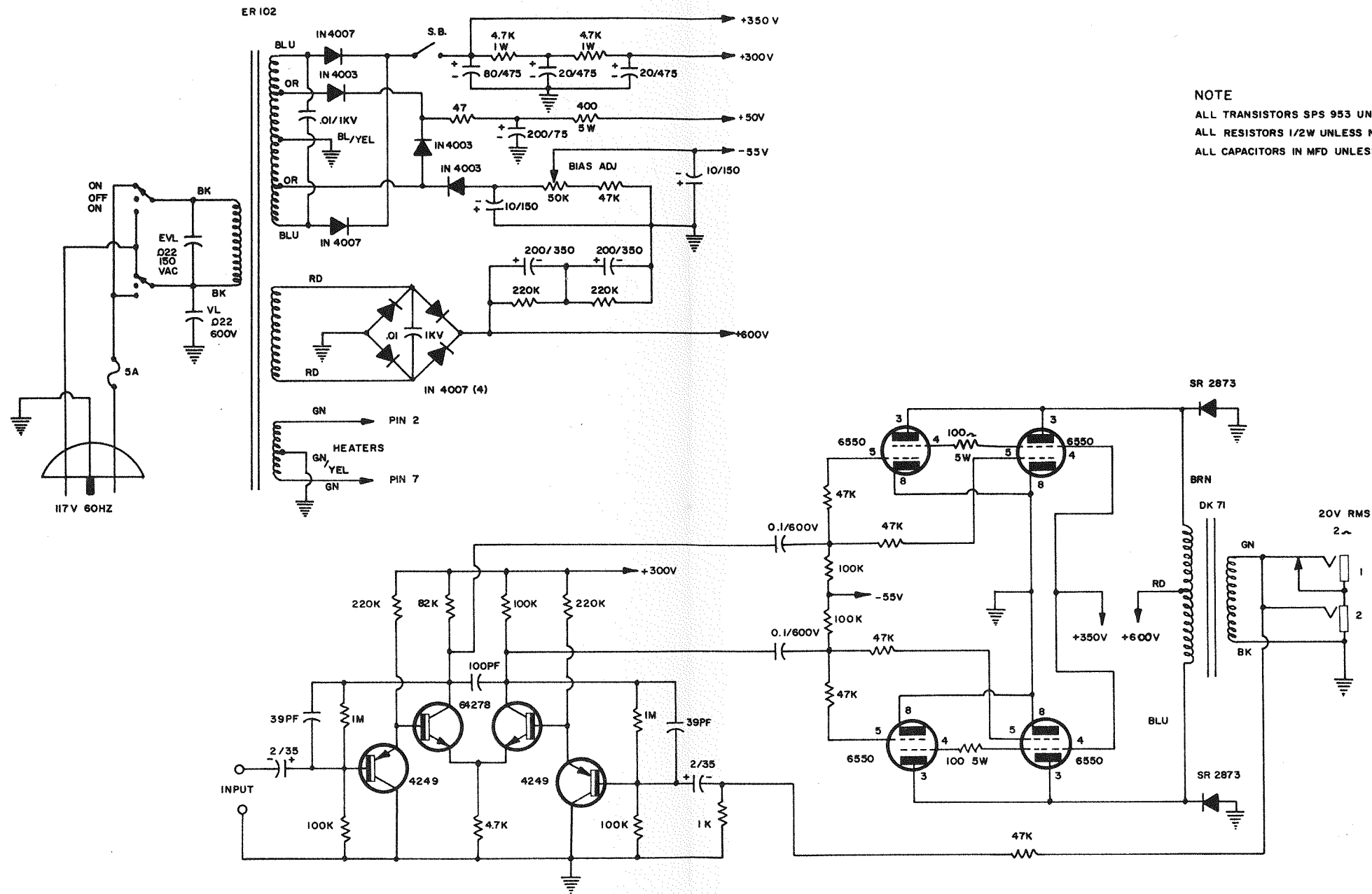


NOTE:
 ALL TRANSISTORS SPS 953 UNLESS NOTED
 ALL RESISTORS 1/2W UNLESS NOTED
 ALL CAPACITORS IN MFD UNLESS NOTED
 ALL DIODES 1A/200V PIV UNLESS NOTED

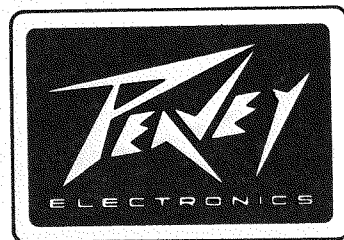
ROADMASTER
 (PRE AMP)

PEAVEY ELECTRONICS
 MERIDIAN, MISS.
 DRAWN BY: *PMK* DATE: 11-22-74
 CHECKED BY: *HL*
 APPROVED BY: *JCD*

ROADMASTER (POWER AMP)



NOTE
 ALL TRANSISTORS SPS 953 UNLESS NOTED
 ALL RESISTORS 1/2W UNLESS NOTED
 ALL CAPACITORS IN MFD UNLESS NOTED



PEAVEY ELECTRONICS	
MERIDIAN MISS	
DRAWN BY: <i>DMH</i>	DATE: 12-2-74
CHECKED BY: <i>[Signature]</i>	
APPROVED BY: <i>[Signature]</i>	