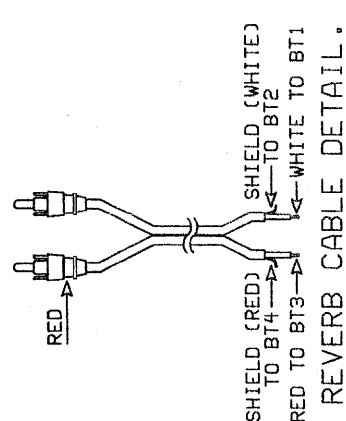
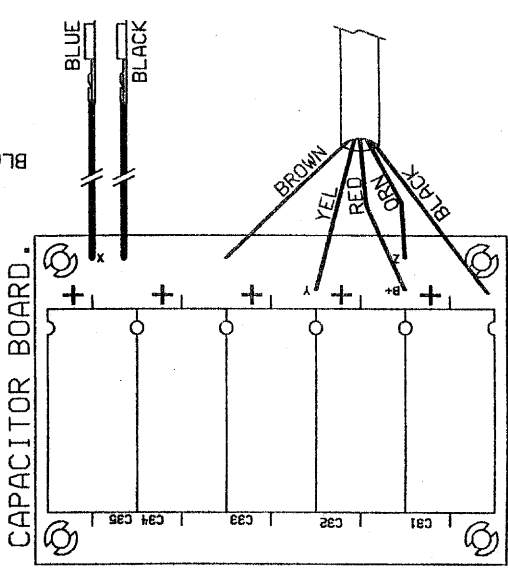
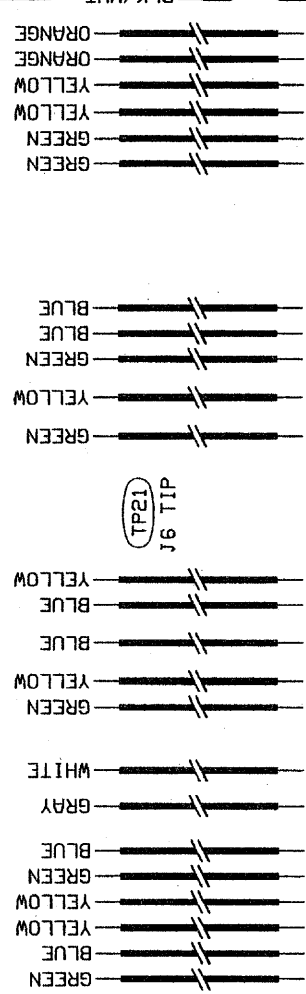
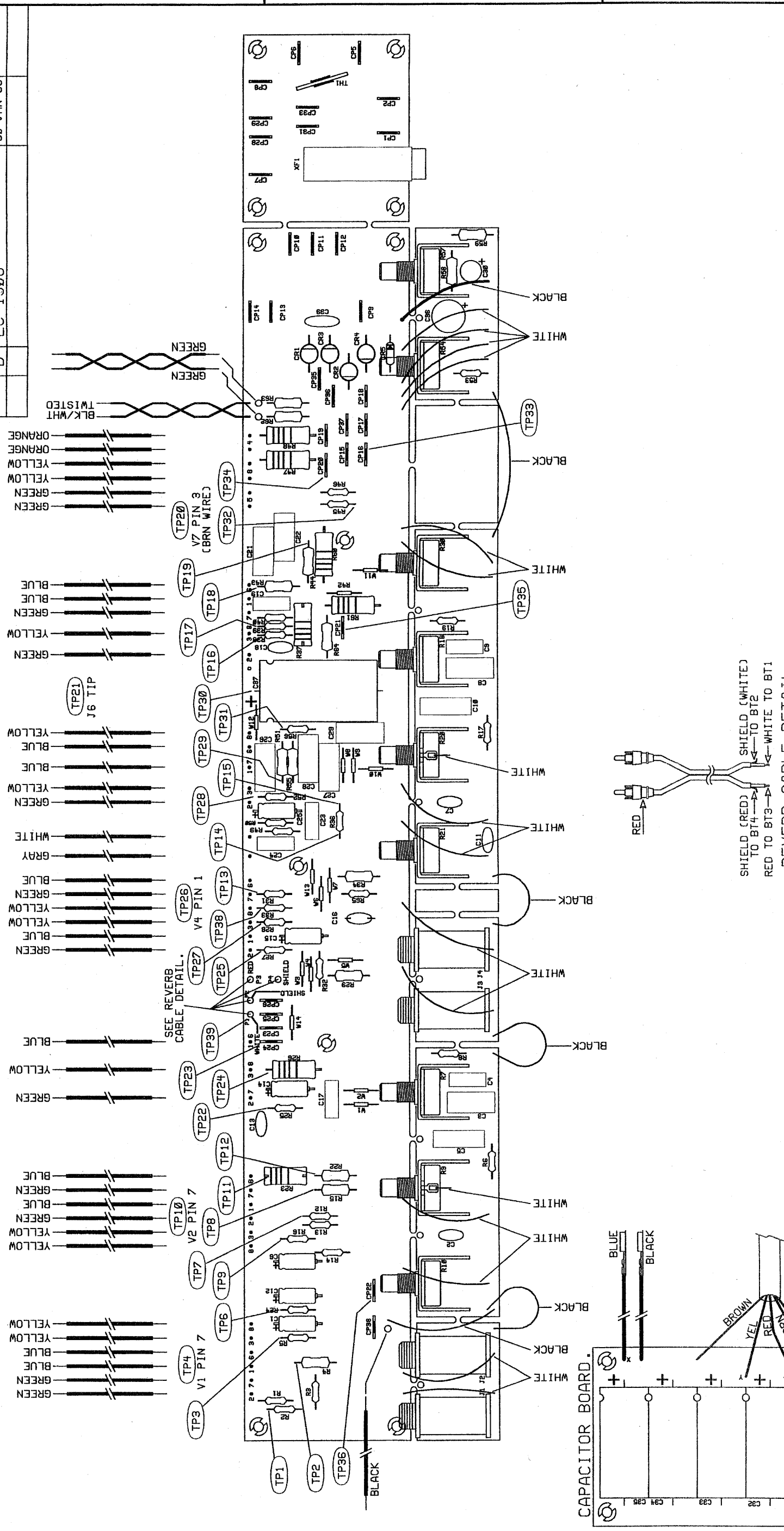


1 2 3 4 5 6

C B A

REVISIONS				
ZONE	REV.	DESCRIPTION	DATE	APPROVED
	A	RELEASED CSR8	21-OCT-94	
	B	EC 1306	30-JAN-95	



DATABASE FILE: CSR8SER.DBF CHECKED BY: <i>KEP-5</i> DATE:	PROPRIETARY <small>THIS DRAWING DOCUMENT CONTAINS INFORMATION WHICH IS PROPRIETARY TO FENDER MUSICAL INSTRUMENTS CO. AND MAY NOT BE USED, REPRODUCED OR DISCLOSED IN ANY MANNER WITHOUT THE EXPRESSED WRITTEN CONSENT FROM:</small> FENDER MUSICAL INSTRUMENTS CO. CORONA, CA U.S.A.
	TITLE: SERVICE DIAGRAM FOR CUSTOM VIBROLUX REVERB AMP SIZE: D DRAWING NUMBER: 047556 REV. B DRAWN: WH/MDW ENGR: ZINKY
APPROVED: <i>[Signature]</i> DATE: 21-APR-2000 TOLERANCES: UNLESS OTHERWISE SPECIFIED X.X ±0.050" X.XX ±0.010" X.XXX ±0.005" ANGLES ±0.500°	SCALE: NONE DATE: 27-APR-00 SHEET 1 OF 1

FILM/DWG: SERVICE DIAGRAM DATABASE: CSR8SER.DBF LAYERS PLOTTED: 1 2 3 4 15	DATE: 27-APR-94 10
--	-----------------------

NOTES: 1.) PCB SHOWN AS FABRICATED, EXCEPT WITH CAPACITOR BREAK-AWAY BOARD SEPARATED.
 2.) TP5 DELETED.

1 2 3 4 5 6

C B A