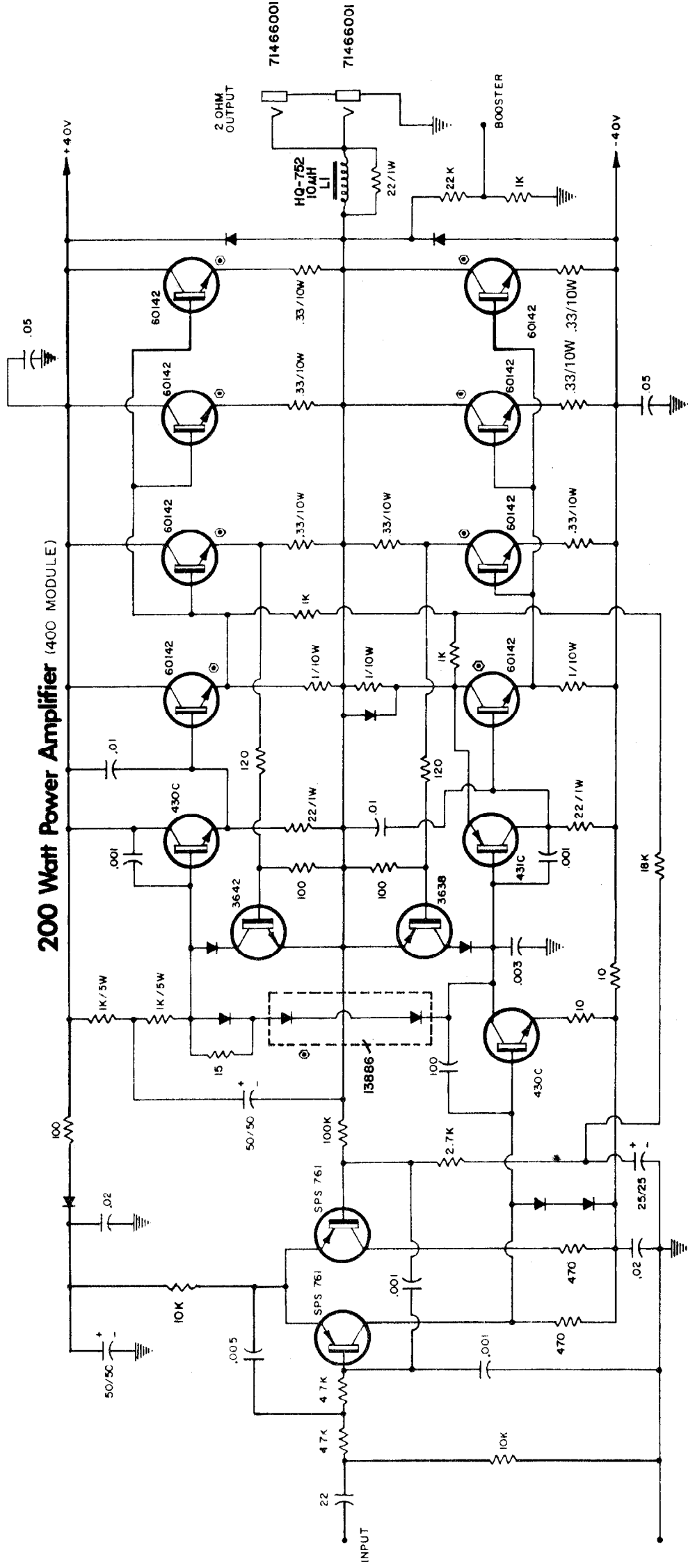


200 Watt Power Amplifier (400 MODULE)

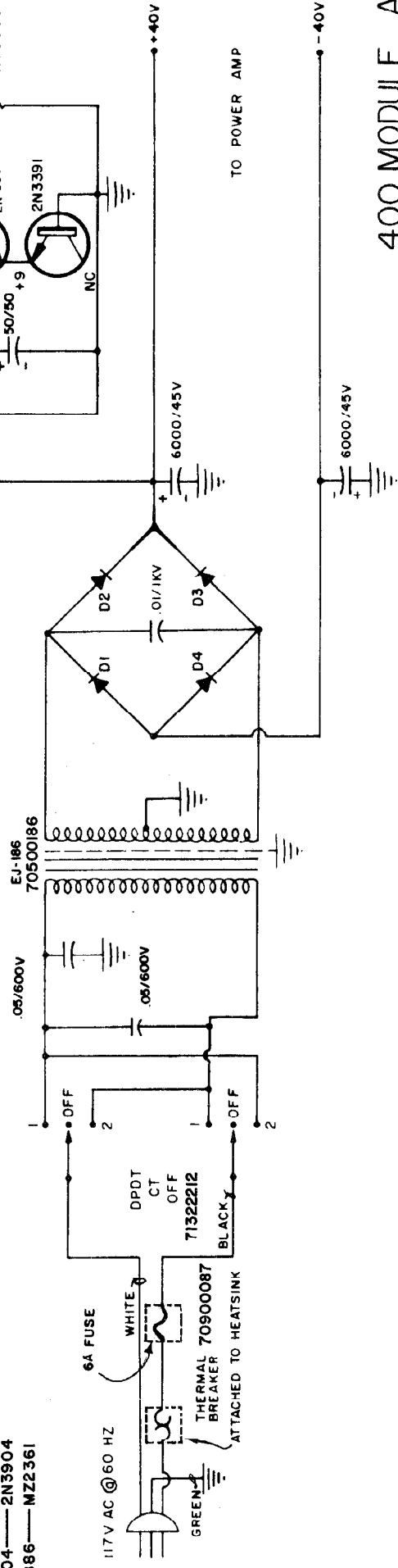


TRANSISTOR CROSS REFERENCE LIST

- 761 — 2N5400
- 3642 — 2N3642
- 3638 — 2N3638
- 430 — TIP 31C
- 431 — TIP 30C
- 60142 — 2N3772
- 953 — 2N3391A
- 690 — 2N4249
- 3904 — 2N3904
- 13886 — MZ2361

⊗ ATTACHED TO HEATSINK
ALL DIODES ARE 1A UNLESS NOTED
D1 - D4 MR752 (6A-200V)

Peavey Solid State Power Supply



400 MODULE A-SERIES

P/N 81505036