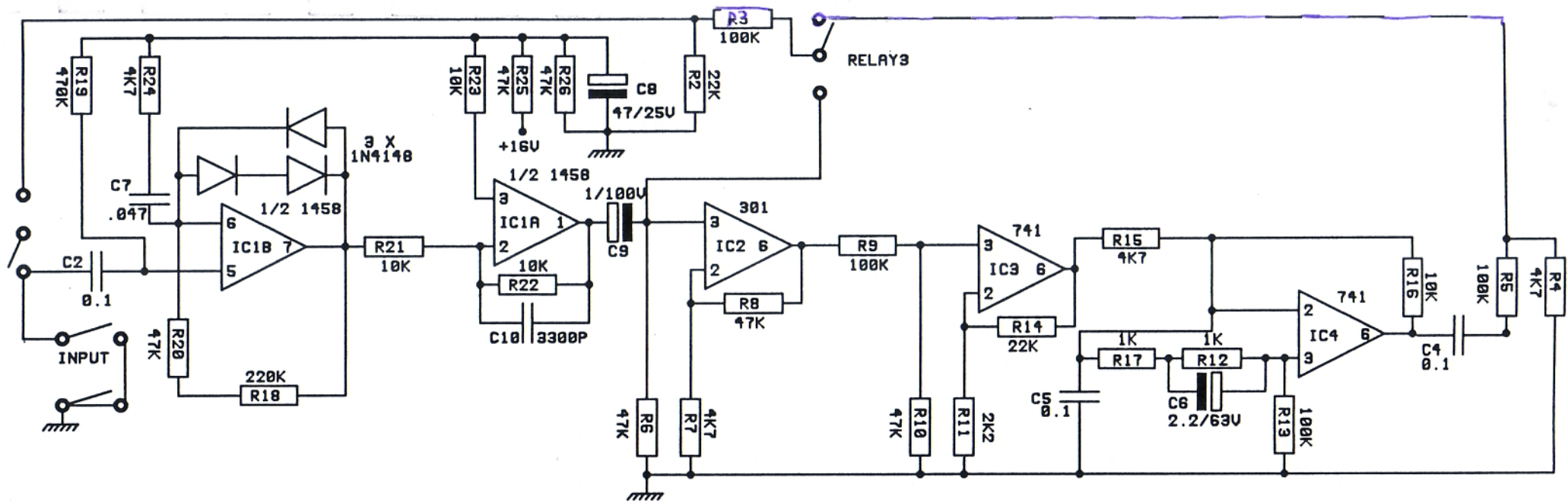


RELAY2



RELAY3

INPUT

3 X
1N4148

1/2 1458

301

741

741

R3
100K

R2
22K

C8
47/25U

R23
10K

R25
47K

R26
47K

C7
.047

IC1B
7

R21
10K

IC1A
1

R22
10K

C9
1/100U

R8
47K

R9
100K

IC3
6

R15
4K7

R16
10K

R5
100K

R4
4K7

C2
0.1

R20
47K

R18
220K

R6
47K

R7
4K7

R10
47K

R11
2K2

C5
0.1

R17
1K

C6
2.2/63U

R12
1K

R13
100K

C4
0.1

