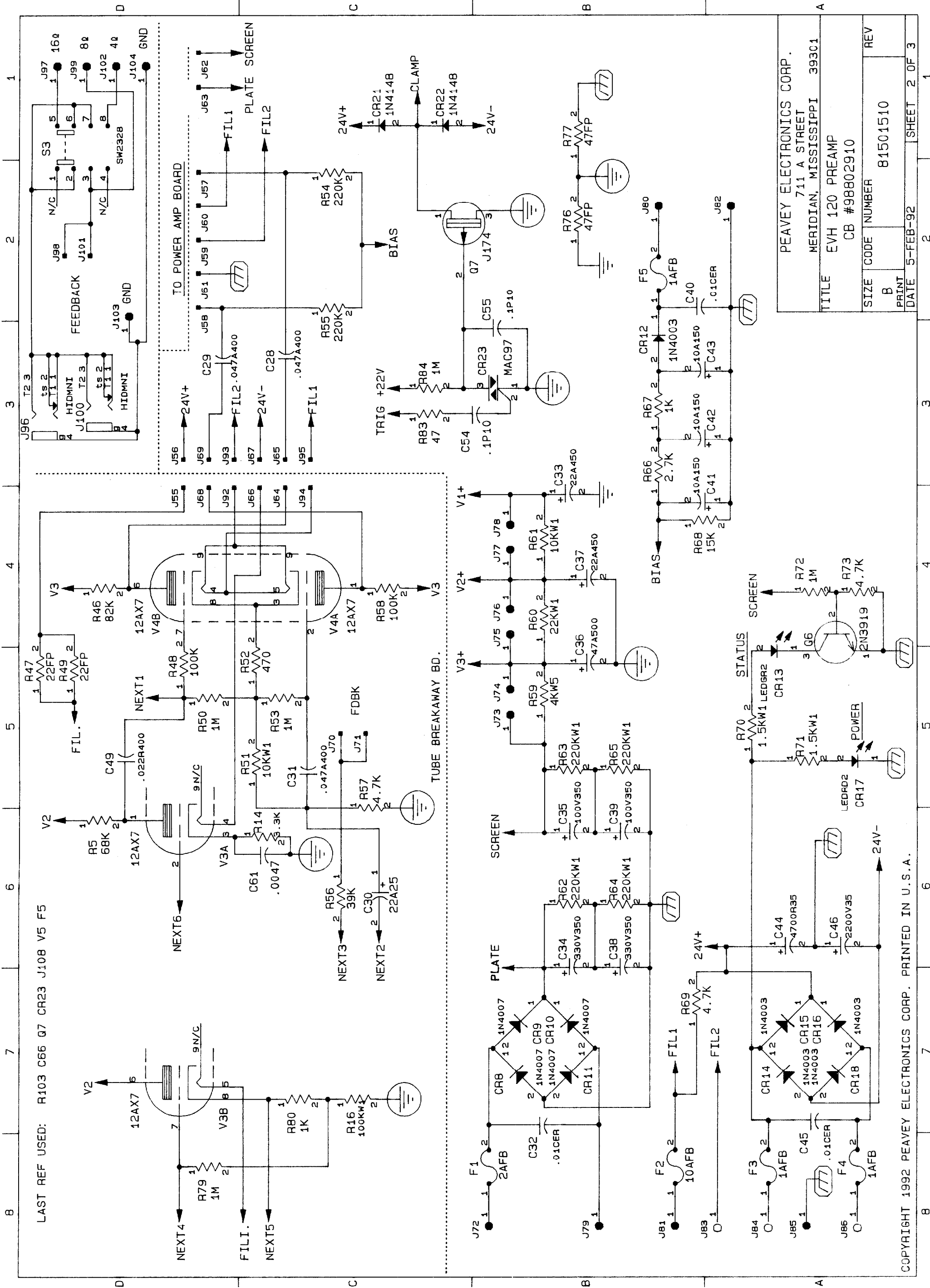


PEAVEY ELECTRONICS CORP.	
711 A STREET	
MERIDIAN, MISSISSIPPI 39301	
TITLE	VHALEN 120 PREAMP BD.
SIZE	B
CODE	NUMBER
PRINT	81501510
DATE	5-FEB-92
SHEET 1 OF 3	

COPYRIGHT 1992 PEAVEY ELECTRONICS CORP. PRINTED IN U.S.A.



8 7 6 5 4 3 2 1

LAST REF USED: R103 C66 G7 CR23 J108 V5 F5

TO POWER AMP BOARD

TUBE BREAKAWAY BD.

FEEDBACK

TO POWER AMP BOARD

TRIG +22V

BIAS

BIAS

BIAS

SCREEN

SCREEN

PLATE

FIL1

FIL2

FIL1

FIL2

STATUS

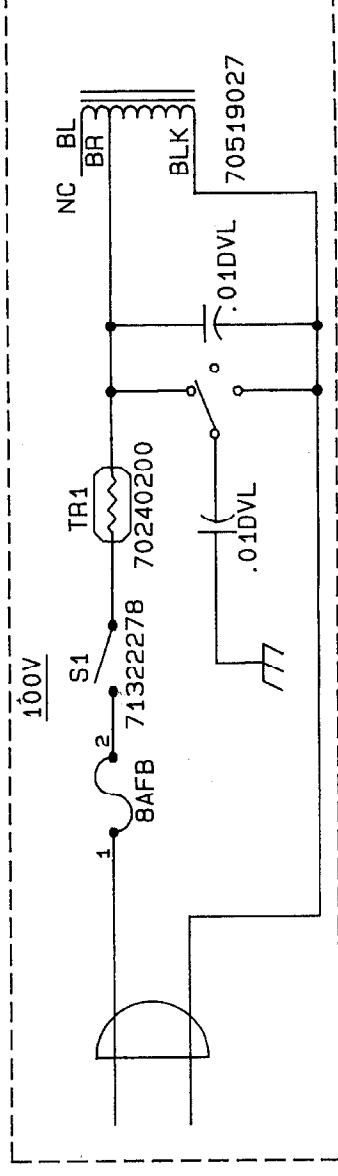
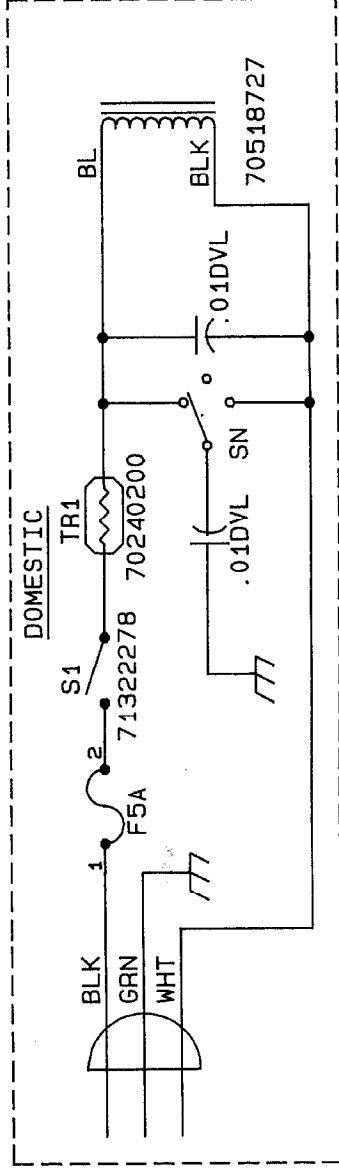
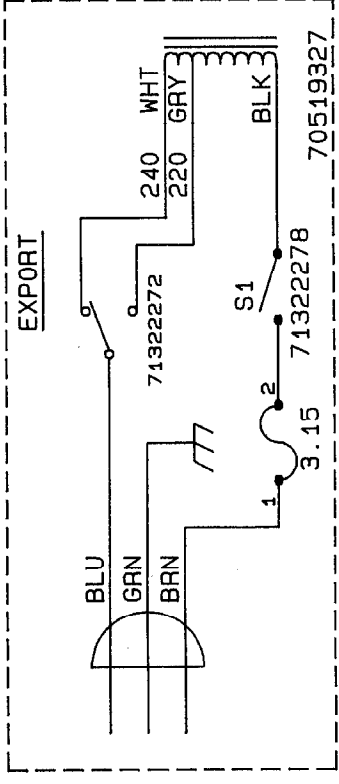
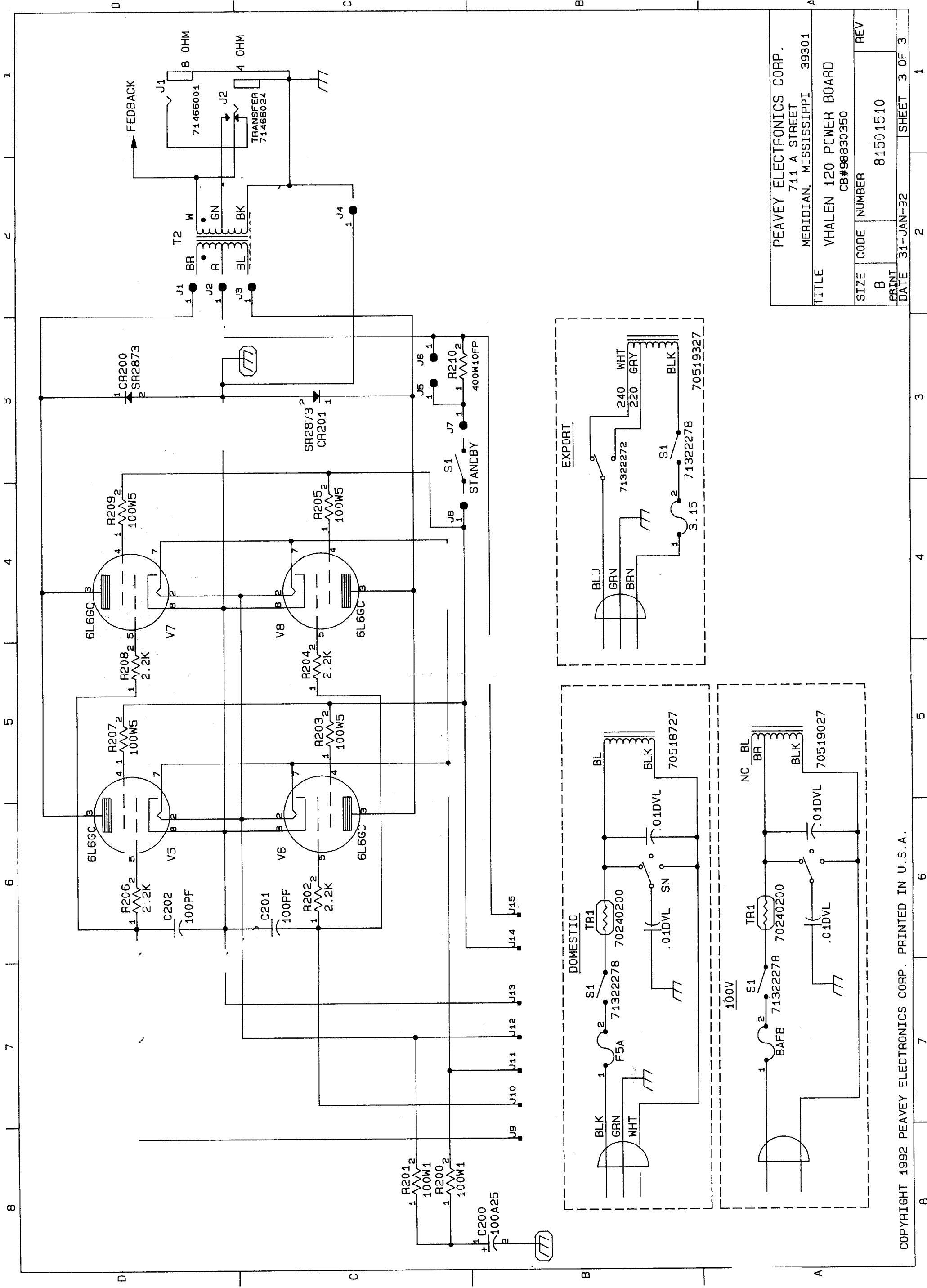
POWER

24V+

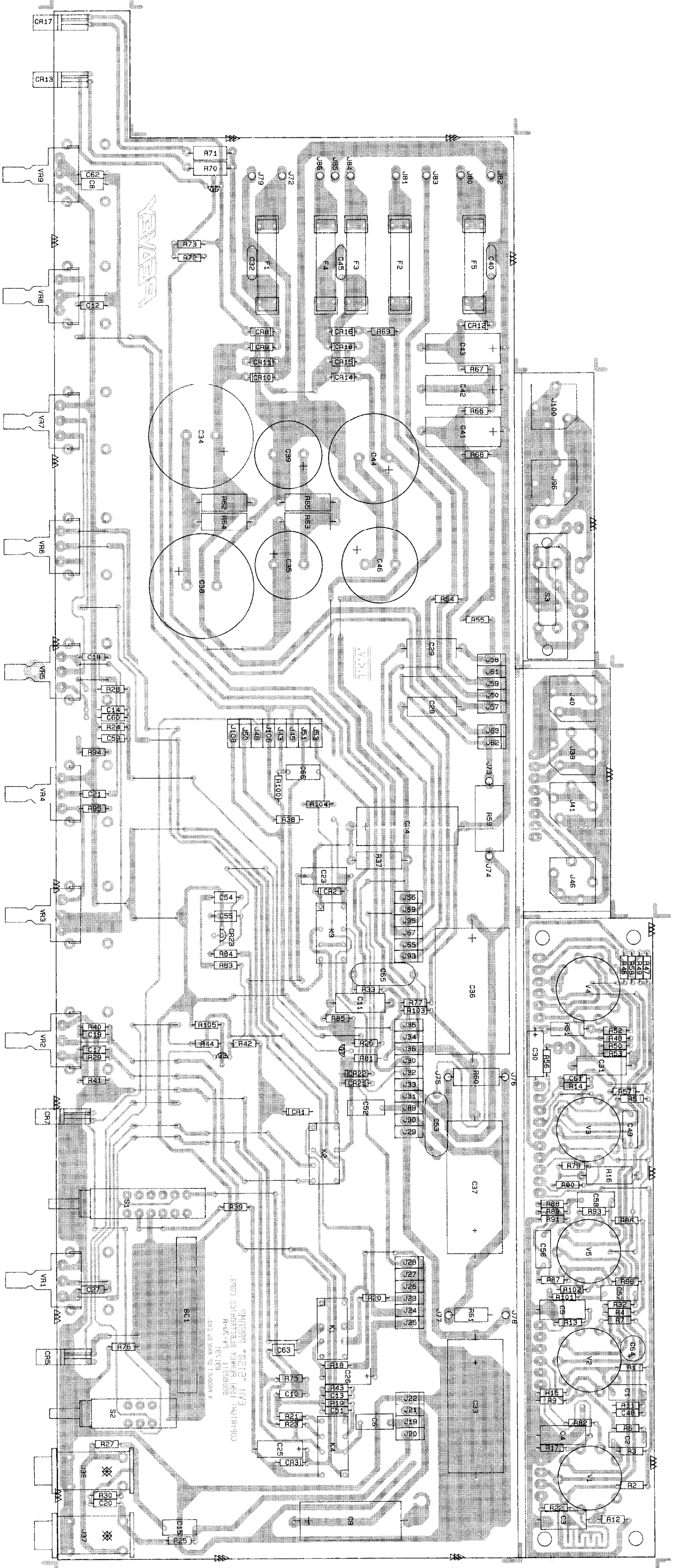
24V-

PEAVEY ELECTRONICS CORP. 711 A STREET MERIDIAN, MISSISSIPPI 39301	
TITLE EVH 120 PREAMP CB #98802910	
SIZE B	CODE NUMBER 81501510
PRINT DATE	REV
5-FEB-92	SHEET 2 OF 3

COPYRIGHT 1992 PEAVEY ELECTRONICS CORP. PRINTED IN U.S.A.



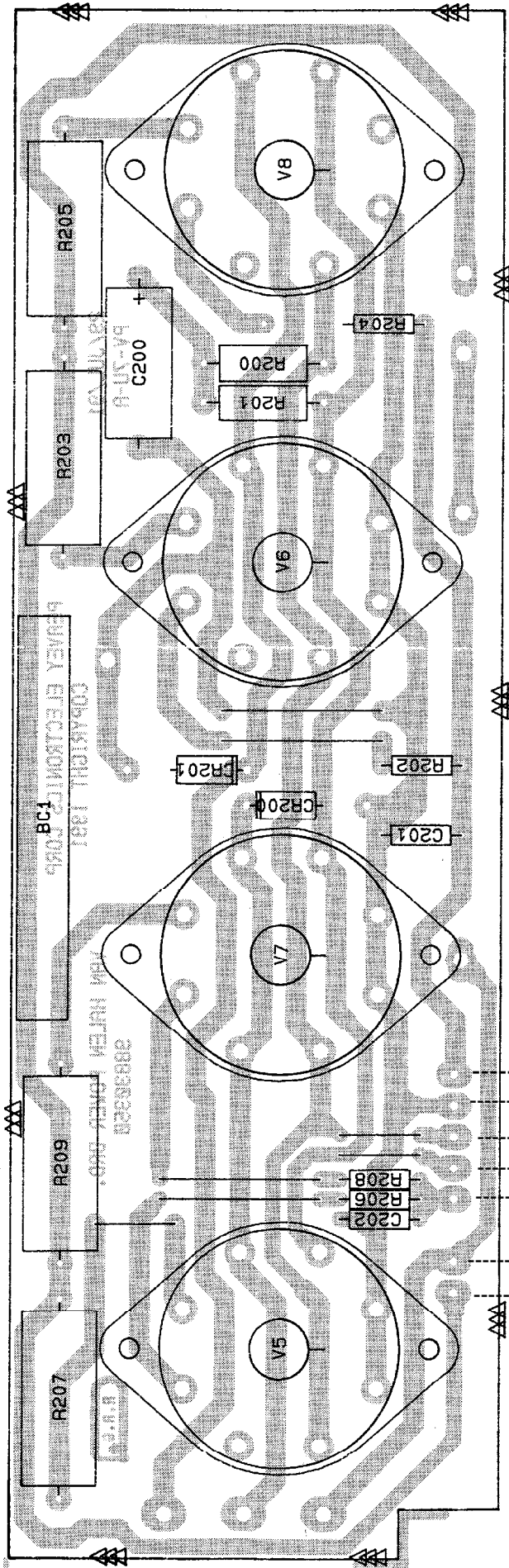
PEAVEY ELECTRONICS CORP. 711 A STREET MERIDIAN, MISSISSIPPI 39301	
TITLE	VHALEN 120 POWER BOARD CB#98830350
SIZE	CODE NUMBER
B	81501510
PRINT	REV
DATE	31-JAN-92
SHEET 3 OF 3	



BEVER

REV. 1.0
DATE: 11/15/82
BY: J. W. BROWN
CHECKED: J. W. BROWN
APPROVED: J. W. BROWN
PARTS LIST: SEE DRAWING A

REV. 1.0
DATE: 11/15/82
BY: J. W. BROWN
CHECKED: J. W. BROWN
APPROVED: J. W. BROWN
PARTS LIST: SEE DRAWING A



- j10
- j13
- j11
- j12
- j9
- j15 plates
- j14 screens

PREAMP BD.

C1	.022R400	70320106	.022 MFD 400 V CAP
C10	470PF	70340058	470PF 10% 50V TUB CER T&R
C11	.047A400	70320105	.047 MFD 400 V T&R CAP
C12	.0068	70340008	.0068 MFD 10% 50V MON T&R
C13	470PF	70340058	470PF 10% 50V TUB CER T&R
C14	470PF	70340058	470PF 10% 50V TUB CER T&R
C15	.1R250MY	70320096	.1 MFD 250 VDC MYLAR CA/BR
C17	.0022	70340004	.0022 MFD 10% 50V T/C T&R
C18	.022	70340012	.022 MFD 10% 50V MON T&R
C19	.001	70340000	.001 MFD 10% 50V MON T&R
C2	.022R400	70320106	.022 MFD 400 V CAP
C20	39PF	70340052	39PF 50V TUB CER T&R
C21	.022	70340012	.022 MFD 10% 50V MON T&R
C23	22A25	70320012	22 MFD 25VDC LYT. CAP. T&R
C24	1000A35	70320038	1000 MFD 35 VDC LYTIC CAP
C25	22A25	70320012	22 MFD 25VDC LYT. CAP. T&R
C26	22A25	70320012	22 MFD 25VDC LYT. CAP. T&R
C27	180PF	70340056	180PF 10% 50V TUB CER T&R
C28	.047A400	70320105	.047 MFD 400 V T&R CAP
C29	.047A400	70320105	.047 MFD 400 V T&R CAP
C3	1A50NP	70320138	1MFD 10% 50VNP EL T&R
C30	22A25	70320012	22 MFD 25VDC LYT. CAP. T&R
C31	.047A400	70320016	.047 MFD 400 V T&R CAP
C32	.01CER	70320099	.01MFD 100VDC CD-UNCUT
C33	22A450	70320020	22 MFD 450 VDC LYTIC CAP
C34	330V350	70320169	330MFD 20% 350VDC EL R/S
C35	100V350	70320130	100MFD-20% 350V-P-EL-R/T
C36	47A500	70320005	47MFD-10% 500VDC-EL-AX
C37	22A450	70320020	22 MFD 450 VDC LYTIC CAP
C38	330V350	70320169	330MFD 20% 350VDC EL R/S
C39	100V350	70320130	100MFD-20% 350V-P-EL-R/T
C4	1A50NP	70320138	1MFD 10% 50VNP EL T&R
740	.01CER	70320099	.01MFD 100VDC CD-UNCUT
J1	10A150	70320016	10 MFD 150 VDC LYTIC CAP
C42	10A150	70320016	10 MFD 150 VDC LYTIC CAP
C43	10A150	70320016	10 MFD 150 VDC LYTIC CAP
C44	4700R35	70350200	4700 MFD 35V VER/SNAP-IN
C45	.01CER	70320099	.01MFD 100VDC CD-UNCUT
C46	2200V35	70320113	2200 MFD/35V RAD PC MOUNT
C48	.001	70340000	.001 MFD 10% 50V MON T&R
C49	.022R400	70320106	.022 MFD 400 V CAP
C5	1A50NP	70320138	1MFD 10% 50VNP EL T&R
C51	270PF	70340057	270PF 10% 50V TUB CER T&R
C52	.022R400	70320106	.022 MFD 400 V CAP
C53	.33A400	70320107	.33 MFD 400 V CAP
C54	.1P10	70340101	.1 MFD 50 VDC 10% MON T&R
C55	.1P10	70340101	.1 MFD 50 VDC 10% MON T&R
C56	.022R400	70320106	.022 MFD 400 V CAP
C57	.022R400	70320106	.022 MFD 400 V CAP
C58	.022R400	70320106	.022 MFD 400 V CAP
C59	.01	70340011	.01 MFD 10% 50V T/C T&R
C6	.022R400	70320106	.022 MFD 400 V CAP
C60	100PF	70340054	100PF 10% 50V TUB CER T&R
C61	.0047	70340007	.0047 MFD 10% 50V MON T&R
C62	.033	70340014	.033 MFD 10% 50V MON T&R
C63	.1P10	70340101	.1 MFD 50 VDC 10% MON T&R
C64	47V50	70320117	47 MFD 50V RADIAL PC MNT
C65	.33A400	70320107	.33 MFD 400 V CAP
C66	.1R250MY	70320096	.1 MFD 250 VDC MYLAR CA/BR
C8	.1P10	70340101	.1 MFD 50 VDC 10% MON T&R
C9	1000A35	70320038	1000 MFD 35 VDC LYTIC CAP
CR1	1N4148	70464148	1N4148 75V 10MA SILICON DIODE
CR10	1N4007	70460007	1N4007 1KV, 1A SIL. DIODE
CR11	1N4007	70460007	1N4007 1KV, 1A SIL. DIODE
CR12	1N4003	70464003	1N4003 200V SILICON DIODE
CR13	1N4003	70464003	1N4003 200V SILICON DIODE
CR14	1N4003	70464003	1N4003 200V SILICON DIODE
CR15	1N4003	70464003	1N4003 200V SILICON DIODE
CR16	1N4003	70464003	1N4003 200V SILICON DIODE
CR17	LEDR2	70450577	SE-8711-D-RD-25MM LDS REC
CR18	1N4003	70464003	1N4003 200V SILICON DIODE
CR2	1N4148	70464148	1N4148 75V 10MA SILICON DIODE
CR21	1N4148	70464148	1N4148 75V 10MA SILICON DIODE
CR22	1N4148	70464148	1N4148 75V 10MA SILICON DIODE
CR23	MAC97	70400097	MAC 97-6 400V, 0.6A TO-92
CR3	1N4148	70464148	1N4148 75V 10MA SILICON DIODE

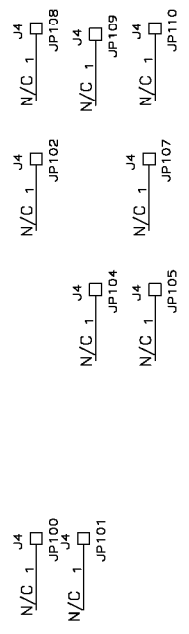
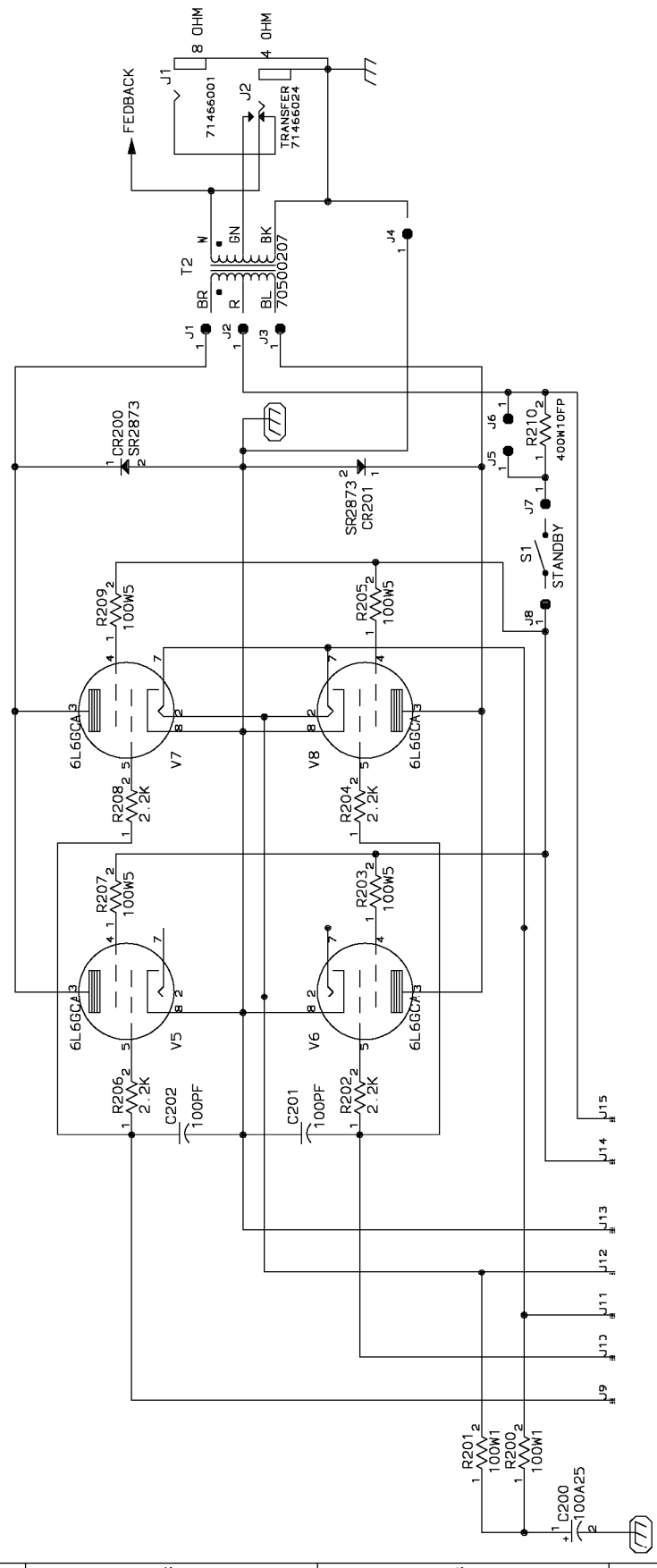
POWER BD.

R61	10KW1	70210018	10K-1W-5% MO-T&R
R62	220KW1	70210038	220K-1W-5% MO-T&R
R63	220KW1	70210038	220K-1W-5% MO-T&R
R64	220KW1	70210038	220K-1W-5% MO-T&R
R65	220KW1	70210038	220K-1W-5% MO-T&R
R66	2.7K	70240021	2700-1/4W-5% CF-T&R
R67	1K	70240017	1K-1/4W-5% CF-T&R
R68	15K	70240027	15K-1/4W-5% CF-T&R
R69	4.7K	70240023	4700-1/4W-5% CF-T&R
R7	220K	70240036	220K-1/4W-5% CF-T&R
R70	1.5KW1	70210007	1500-1W-5% MO-T&R
R71	1.5KW1	70210007	1500-1W-5% MO-T&R
R72	1M	70240039	1M-1/4W-5% CF-T&R
R73	4.7K	70240023	4700-1/4W-5% CF-T&R
R75	2.2M	70240040	2.2M-1/4W-5% CF-T&R
R76	47PF	70240090	47PF-1/4W-5% FF-T&R
R77	47PF	70240090	47PF-1/4W-5% FF-T&R
R79	1M	70240039	1M-1/4W-5% CF-T&R
R80	1K	70240017	1K-1/4W-5% CF-T&R
R81	2.2M	70240040	2.2M-1/4W-5% CF-T&R
R82	470K	70240008	470K-1/4W-5% CF-T&R
R83	47	70240039	1M-1/4W-5% CF-T&R
R84	1M	70240039	1M-1/4W-5% CF-T&R
R85	220K	70240036	220K-1/4W-5% CF-T&R
R86	100K	70240034	100K-1/4W-5% CF-T&R
R87	1M	70240039	1M-1/4W-5% CF-T&R
R88	1M	70240039	1M-1/4W-5% CF-T&R
R89	470K	70240038	470K-1/4W-5% CF-T&R
R9	1M	70240039	1M-1/4W-5% CF-T&R
R91	1M	70240039	1M-1/4W-5% CF-T&R
R93	2.2K	70240020	2200-1/4W-5% CF-T&R
R94	47K	70240031	47K-1/4W-5% CF-T&R
R95	47K	70240031	47K-1/4W-5% CF-T&R
R96	220K	70240036	220K-1/4W-5% CF-T&R
S1	DRASH	71322256	P.C.MNT SWITCH DUAL
S2	PRASH	71322213	DPDT P/P CB MOUNT SWITCH
S3	SW2328	71322328	2PDT SLIDE SWITCH-PC MNT
V1	12AX7	70806612	12 AX7/ECC 83 TUBE
V2	12AX7	70806612	12 AX7/ECC 83 TUBE
V3	12AX7	70806612	12 AX7/ECC 83 TUBE
V4	12AX7	70806612	12 AX7/ECC 83 TUBE
V5	12AX7	70806612	12 AX7/ECC 83 TUBE
VR1	POT0752	71190752	1MEG A MN VPC 5% ANTI-STA
VR2	POT0752	71190752	1MEG A MN VPC 5% ANTI-STA
VR3	1MAVBP5	71190762	1 MA VPC MIN 5% SW BKT A/S
VR4	50KEVB	71190511	50K LIN MIN VPC W/BRKT
VR5	250KEVB	71190515	250K LIN MIN VPC W/BRKT
VR6	1MAVB	71190516	1 MEG AUD MIN VPC/BRKT
VR7	1MAVB	71190516	1 MEG AUD MIN VPC/BRKT
VR8	POT0752	71190752	1MEG A MN VPC 5% ANTI-STA
VR9	10KAVB	71190528	10K AUD MIN VPC/BRKT

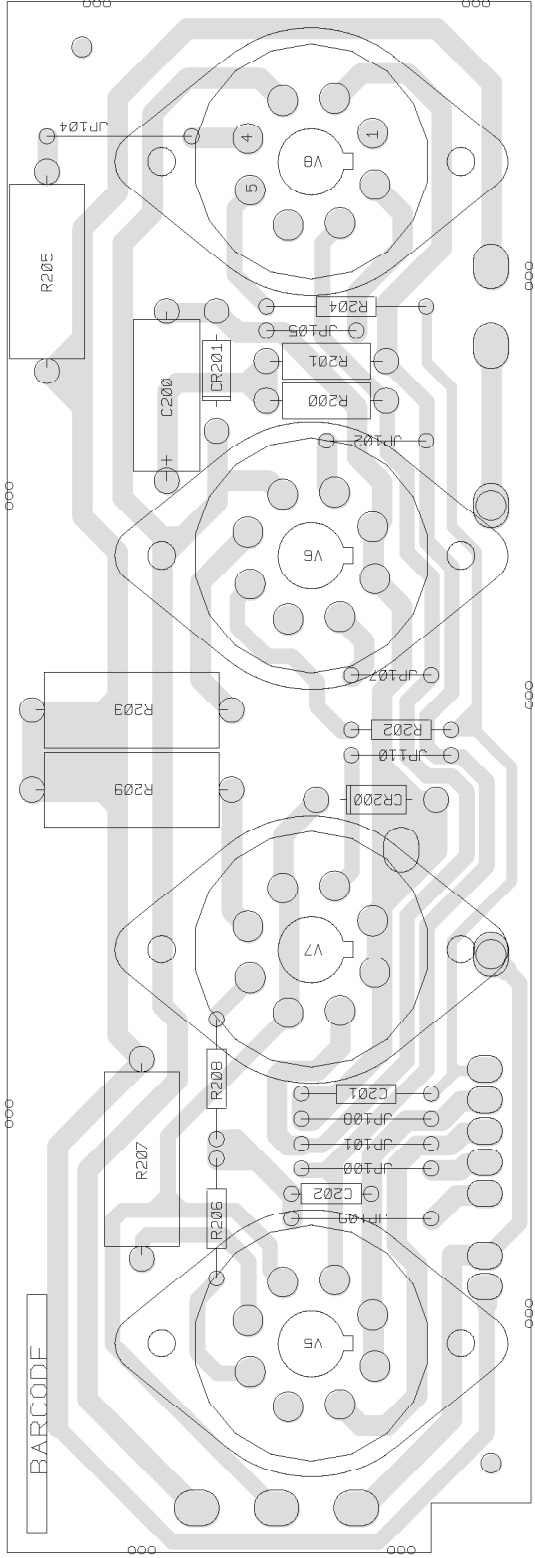
100A25	70320014	100 MFD 25 VDC LYTIC CAP
100PF	70340054	100PF 10% 50V TUB CER T&R
100PF	70340054	100PF 10% 50V TUB CER T&R
SR2873	70402873	SR-2873 2KV, 250MA SIL DIO
SR2873	70402873	SR-2873 2KV, 250MA SIL DIO
100W1	70210003	100-1W-5% MO-T&R
100W1	70210003	100-1W-5% MO-T&R
2.2K	70240020	2200-1/4W-5% CF-T&R
2.2K	70250006	100-5W-10% WW-AXL
2.2K	70240020	2200-1/4W-5% CF-T&R
2.2K	70250006	100-5W-10% WW-AXL
100W5	70250006	100-5W-10% WW-AXL
2.2K	70240020	2200-1/4W-5% CF-T&R
100W5	70250006	100-5W-10% WW-AXL
100W5	70250006	100-5W-10% WW-AXL
400W10PF	70250019	400-10W-10% FP-AXL
6L6GC	70805604	6L6 GC TUBE
6L6GC	70805604	6L6 GC TUBE
6L6GC	70805604	6L6 GC TUBE
6L6GC	70805604	6L6 GC TUBE

1 2 3 4 5 6 7 8

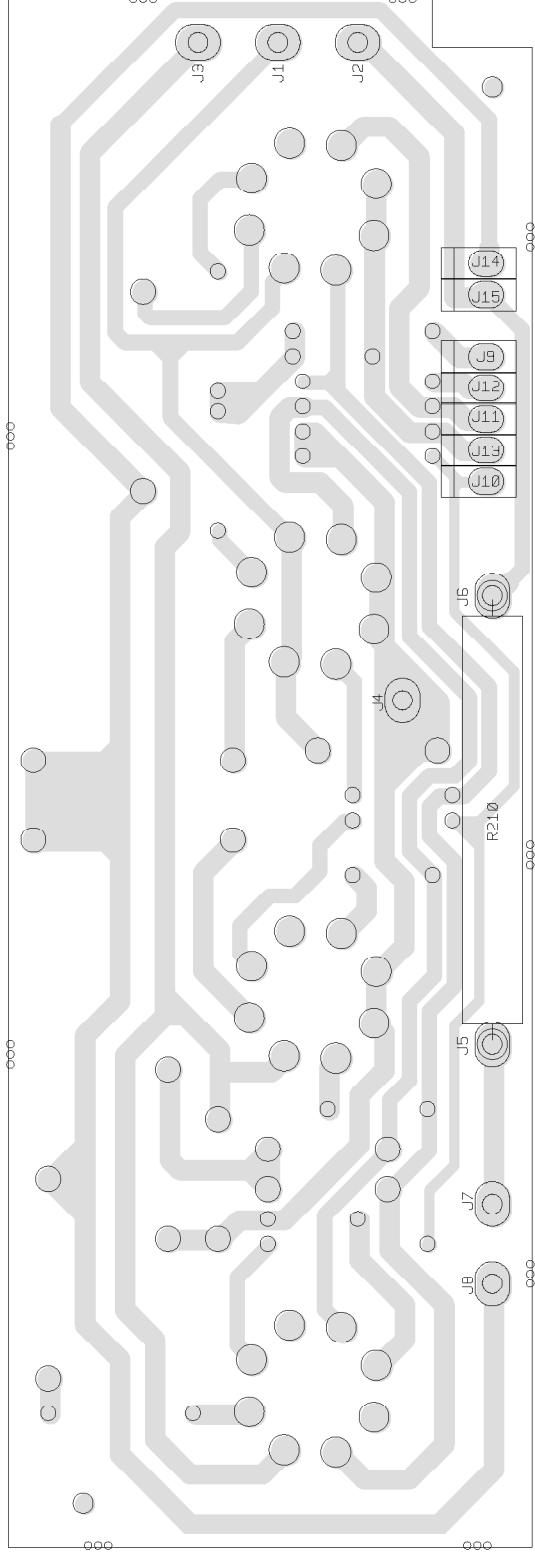
D C B A



PEAVEY ELECTRONICS CORP.	
711 A STREET	
MERIDIAN, MISSISSIPPI 39301	
TITLE VHALEN 120 POWER BOARD	
CB#98830350	
SIZE	REV
B	P9000116
PRINT	
DATE	



EVH POWER



B I L L O F M A T E R I A L S R E P O R T

BOARD NAME: VHPWR REPORT DATE: 29AUG01

ASSEMBLY LEVEL NUMBER: 99030352 DESIGNER: FREDDIE EAVES

PROJECT NUMBER: VHPWR

CBDS

PART	PART	DESCRIPTION AND	
** QTY. NAME	VALUE	NUMBER	DEVICE DESIGNATIONS *****

1	98830352	98830352	VHPWR PCB
1	100A25	100A25	70320014 100 MFD 25VDC LYTIC CAP
			C200
2	100PF	100PF	70340054 100PF-----10%-----50VDC----T/C----T&R
			C201, C202
2	100W1	100W1	70210003 100---1W----5%----MO--T&R
			R200, R201
4	100W5	100W5	70250006 100--5W--10%--WW--AXL

R203, R205, R207, R209

4 2.2K 2.2K 70240020 2.2K--1/4W--5%----CF--T&R

R202, R204, R206, R208

1 400W10FP 400W10FP 70250019 400--10W--10%--FP--AXL

R210

4 6L6GCA 6L6GCA 70806604 6L6GC VAC TUBE W/INS SOCKET 70806627

V5, V6, V7, V8

9 J4 J 70600005 22GA JUMPER WIRES T&R

JP100, JP101, JP102, JP104, JP105,
JP107, JP108, JP109, JP110

8 MMPD 73711812 73711812 R93-12 PN C.B. MALE MOLEX PIN

J1, J2, J3, J4, J5, J6, J7, J8

7 SPX1D SPX1D 73717003 1 STAKE PIN

J9, J10, J11, J12, J13, J14, J15

2 SR2873 SR2873 70402873 SR2873 2KV, 250MA SILICON DIODE

CR200, CR201

* END OF BILL OF MATERIALS REPORT *
