



Service Manual

Created: 02 July 2015



G20 INFINIUM

20-Watt Class-A Tube Amplifier Head with INFINIUM Tube Life Multiplier, MORPH EQ and Reverb

Specifications	2
PCB Schematic	3
Parts List	9
Exploded Drawing	22

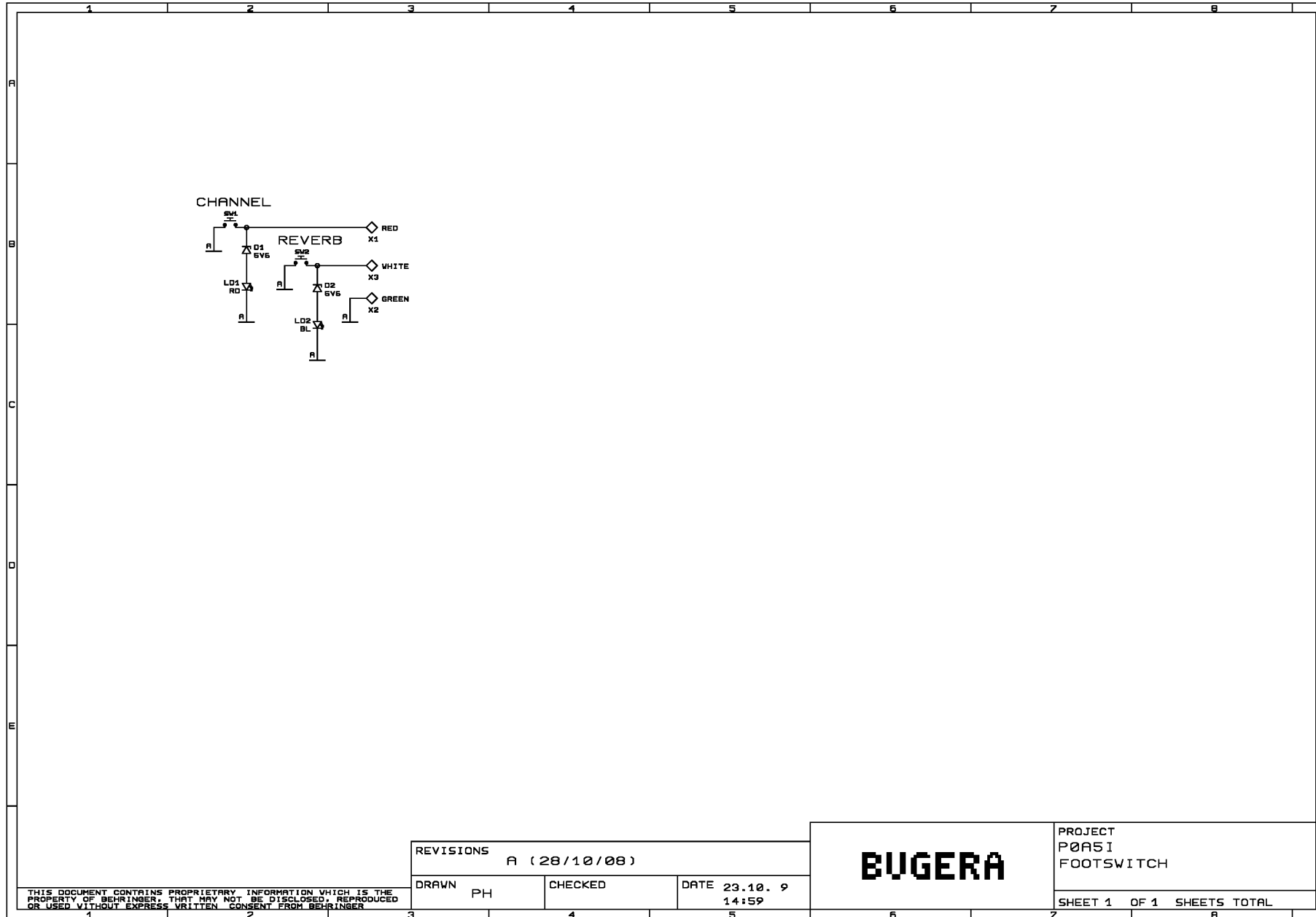
bugera-amps.com



G20 INFINIUM

Specifications

- Hand-built 20-Watt Class-A amplifier driven by 2 x ECC83 and 2 x EL34 tubes
- Revolutionary INFINIUM Tube Life Multiplier technology:
 - Extends the life of your amplifier's expensive power tubes up to 20 times
 - Provides incredible reliability and consistent tone over the complete lifespan of your tubes
 - No need for expensive matched tube sets
 - Allows you to mix and match any combination of compatible tube types and brands
 - Monitors performance of the power tubes continuously and displays defective tubes to allow for easy replacement
- Revolutionary MORPH EQ to seamlessly sweep between USA and British EQ-style tone
- Amazing classic push-pull power amp design for vintage tonal character
- High-definition reverb with dedicated Reverb control
- Heavy-duty footswitch for Channel / Reverb selection included
- Speaker-emulated output with 1 x 12 or 4 x 12 voicing option
- Impedance switch (4, 8 and 16 Ohms) to match virtually any speaker cabinet
- Effects loop with effects level switch
- Modern-style look and feel
- 3-Year Warranty Program*
- Designed and engineered by BUGERA Germany

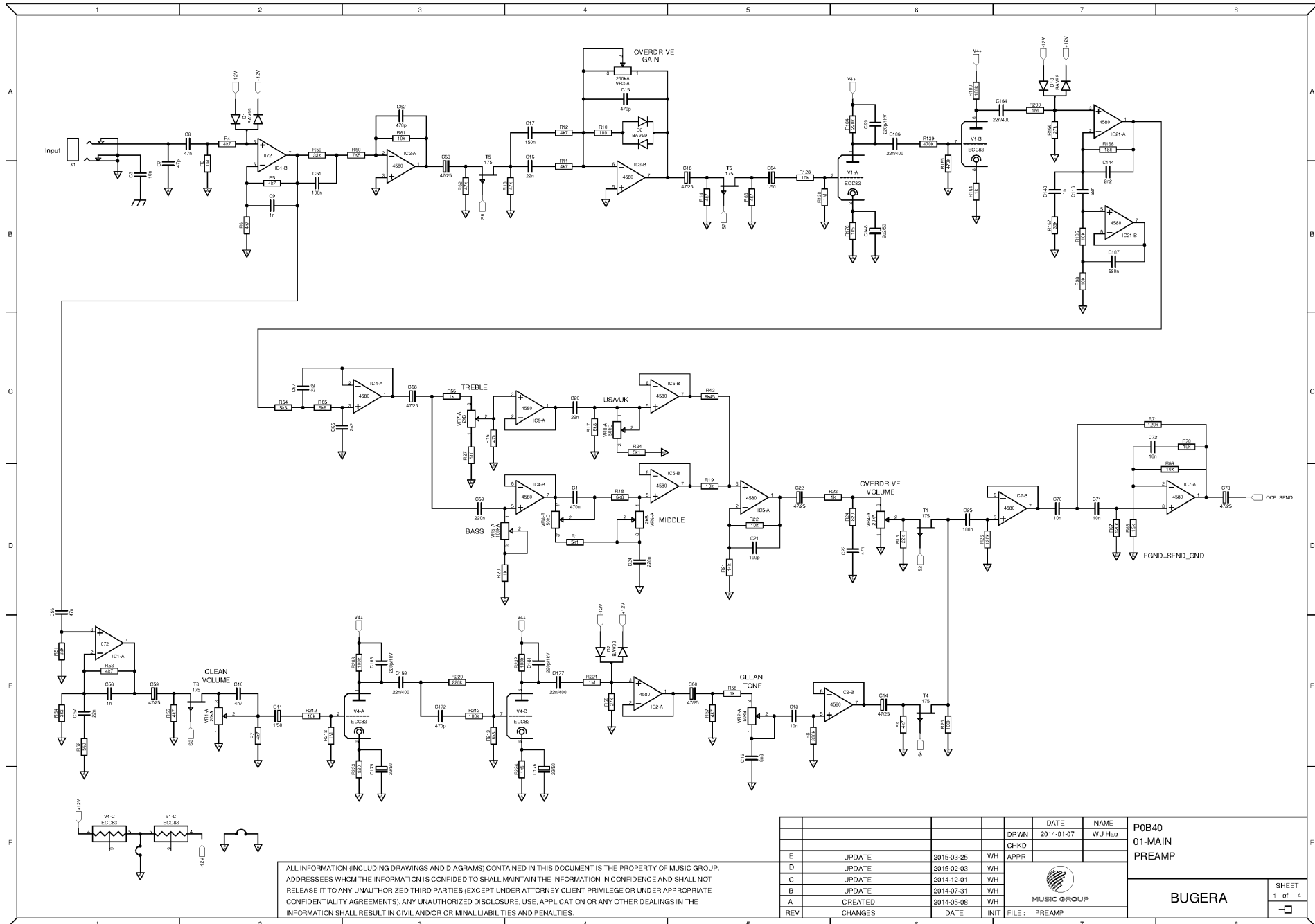


REVISIONS		
A (28/10/08)		
DRAWN	CHECKED	DATE
PH		23.10. 9
		14:59

BUGERA

PROJECT
P0A5I
FOOTSWITCH
SHEET 1 OF 1 SHEETS TOTAL

THIS DOCUMENT CONTAINS PROPRIETARY INFORMATION WHICH IS THE PROPERTY OF BEHRINGER. THAT MAY NOT BE DISCLOSED, REPRODUCED OR USED WITHOUT EXPRESS WRITTEN CONSENT FROM BEHRINGER.



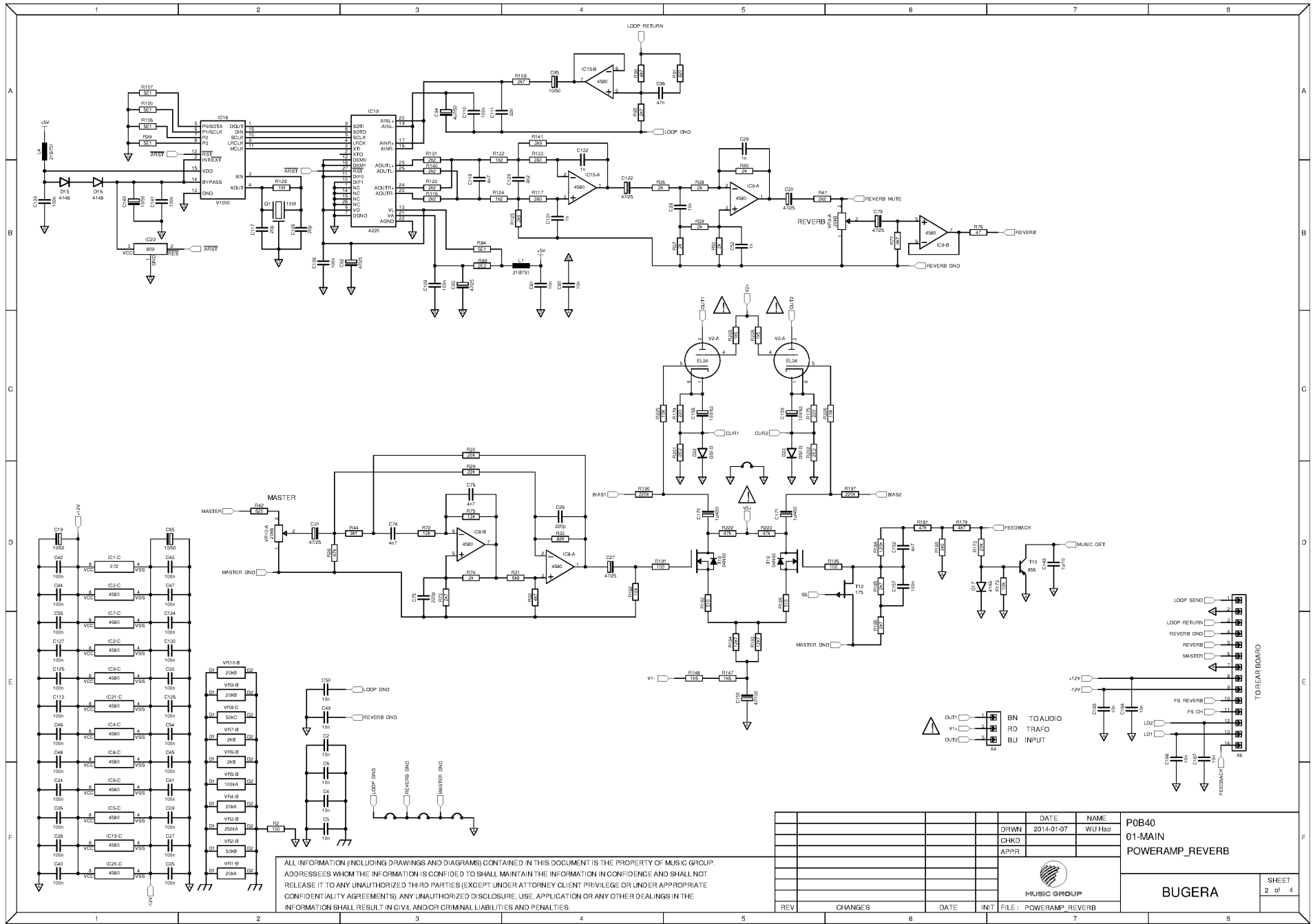
ALL INFORMATION (INCLUDING DRAWINGS AND DIAGRAMS) CONTAINED IN THIS DOCUMENT IS THE PROPERTY OF MUSIC GROUP. ADDRESSEES WHOM THE INFORMATION IS CONFIDED TO SHALL MAINTAIN THE INFORMATION IN CONFIDENCE AND SHALL NOT RELEASE IT TO ANY UNAUTHORIZED THIRD PARTIES (EXCEPT UNDER ATTORNEY CLIENT PRIVILEGE OR UNDER APPROPRIATE CONFIDENTIALITY AGREEMENTS). ANY UNAUTHORIZED DISCLOSURE, USE, APPLICATION OR ANY OTHER DEALINGS IN THE INFORMATION SHALL RESULT IN CIVIL AND/OR CRIMINAL LIABILITIES AND PENALTIES.

				DATE	NAME	P0B40
				2014-01-07	WU Ho	01-MAIN
						PREAMP
E	UPDATE	2015-03-25	WH			
D	UPDATE	2015-02-03	WH			
C	UPDATE	2014-12-01	WH			
B	UPDATE	2014-07-31	WH			
A	CREATED	2014-05-09	WH			
REV	CHANGES	DATE	INIT	FILE: PREAMP		



BUGERA

SHEET 1 of 4

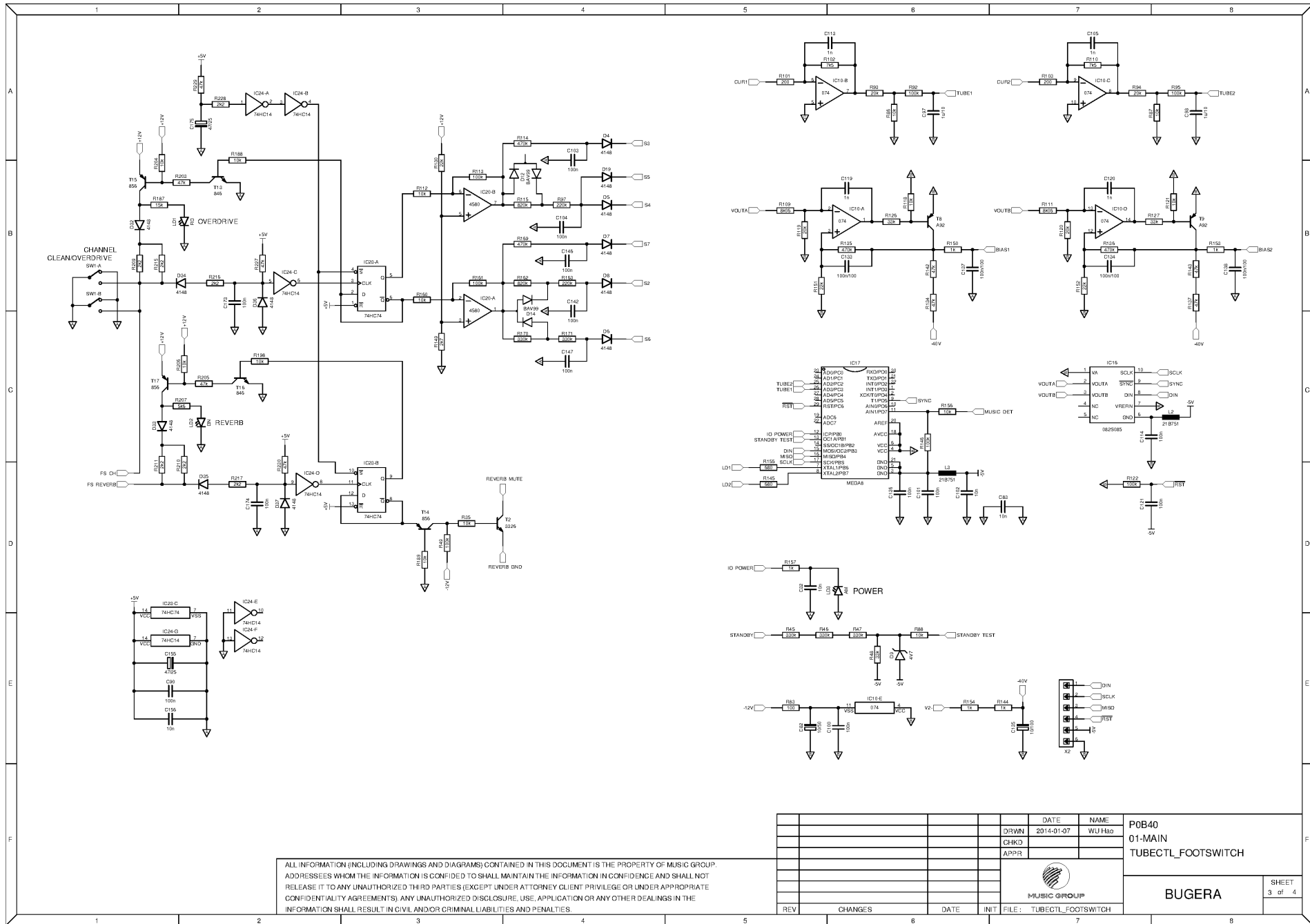


ALL INFORMATION (INCLUDING DRAWINGS AND DIAGRAMS) CONTAINED IN THIS DOCUMENT IS THE PROPERTY OF MUSIC GROUP. ADDRESSEES WHOM THE INFORMATION IS CONFIDED TO SHALL MAINTAIN THE INFORMATION IN CONFIDENCE AND SHALL NOT RELEASE IT TO ANY UNAUTHORIZED THIRD PARTIES (EXCEPT UNDER ATTORNEY CLIENT PRIVILEGE OR UNDER APPROPRIATE CONFIDENTIALITY AGREEMENTS). ANY UNAUTHORIZED DISCLOSURE, USE, APPLICATION OR ANY OTHER DEALINGS IN THE INFORMATION SHALL RESULT IN CIVIL AND/OR CRIMINAL LIABILITIES AND PENALTIES.

REV	CHANGES	DATE	INIT	FILE: POWERAMP_REVERB

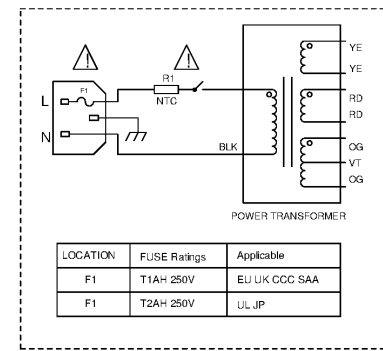
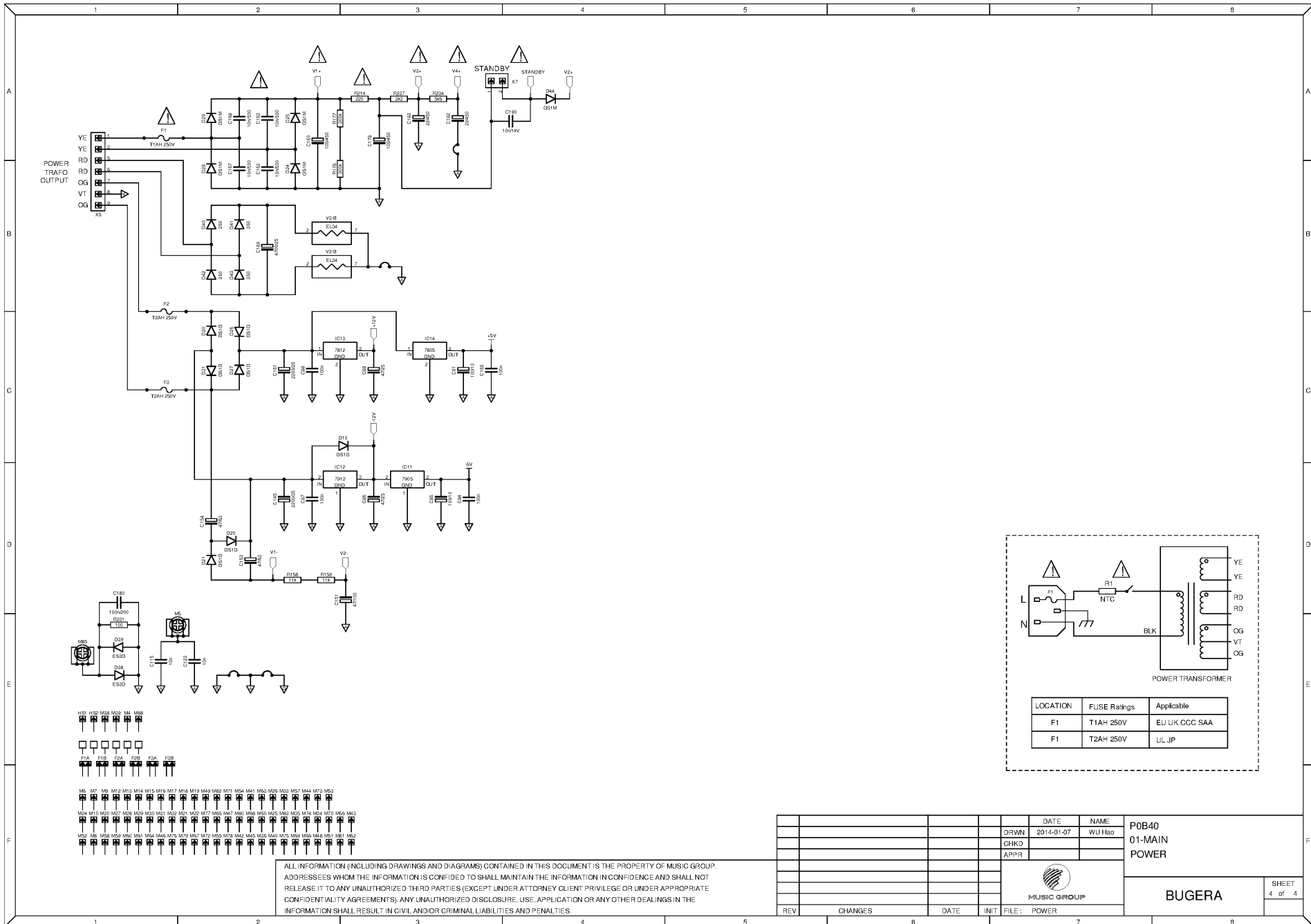
DRWN	DATE	NAME
	2014-01-07	WU HQD
CHKD		
APPR		

P0B40
01-MAIN
POWERAMP_REVERB
BUGERA
SHEET 2 of 4



ALL INFORMATION (INCLUDING DRAWINGS AND DIAGRAMS) CONTAINED IN THIS DOCUMENT IS THE PROPERTY OF MUSIC GROUP. ADDRESSEES WHOM THE INFORMATION IS CONFIDED TO SHALL MAINTAIN THE INFORMATION IN CONFIDENCE AND SHALL NOT RELEASE IT TO ANY UNAUTHORIZED THIRD PARTIES (EXCEPT UNDER ATTORNEY CLIENT PRIVILEGE OR UNDER APPROPRIATE CONFIDENTIALITY AGREEMENTS). ANY UNAUTHORIZED DISCLOSURE, USE, APPLICATION OR ANY OTHER DEALINGS IN THE INFORMATION SHALL RESULT IN CIVIL AND/OR CRIMINAL LIABILITIES AND PENALTIES.

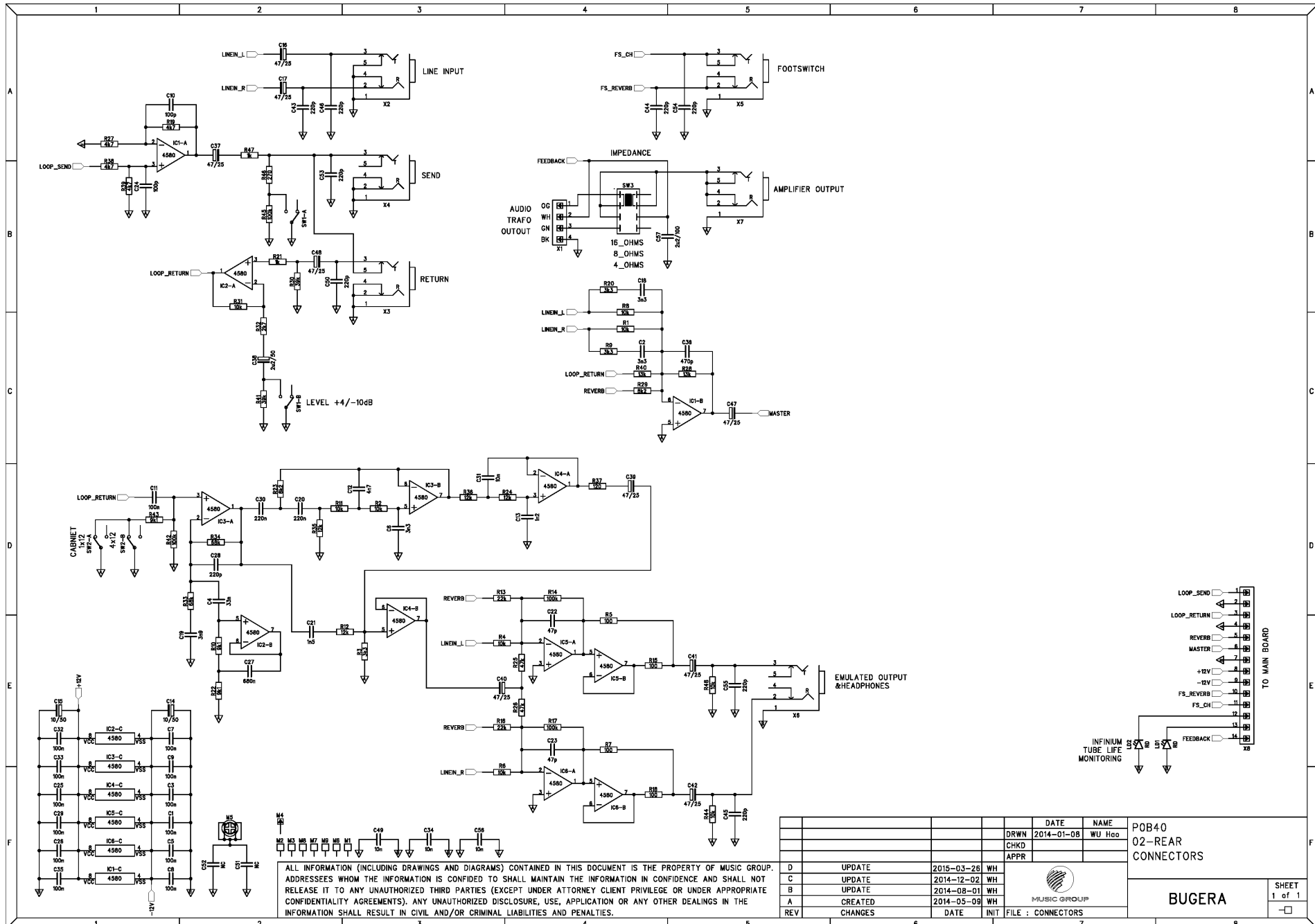
REV	CHANGES	DATE	INIT	FILE: TUBECTL_FOOTSWITCH	DATE: 2014-01-07	NAME: WU HAO	POB40 01-MAIN TUBECTL_FOOTSWITCH	SHEET 3 of 4
							BUGERA	



- H32 H32 H32 H32 H32 H32
- F1A F1B F1C F1D F1E F1F
- M5 M7 M9 M12 M13 M14 M15 M16 M17 M18 M19 M20 M21 M22 M23 M24 M25 M26 M27 M28 M29 M30 M31 M32 M33 M34 M35 M36 M37 M38 M39 M40 M41 M42 M43 M44 M45 M46 M47 M48 M49 M50 M51 M52 M53 M54 M55 M56 M57 M58 M59 M60 M61 M62 M63 M64 M65 M66 M67 M68 M69 M70 M71 M72 M73 M74 M75 M76 M77 M78 M79 M80 M81 M82 M83 M84 M85 M86 M87 M88 M89 M90 M91 M92 M93 M94 M95 M96 M97 M98 M99 M100 M101 M102 M103 M104 M105 M106 M107 M108 M109 M110 M111 M112 M113 M114 M115 M116 M117 M118 M119 M120 M121 M122 M123 M124 M125 M126 M127 M128 M129 M130 M131 M132 M133 M134 M135 M136 M137 M138 M139 M140 M141 M142 M143 M144 M145 M146 M147 M148 M149 M150 M151 M152 M153 M154 M155 M156 M157 M158 M159 M160 M161 M162 M163 M164 M165 M166 M167 M168 M169 M170 M171 M172 M173 M174 M175 M176 M177 M178 M179 M180 M181 M182 M183 M184 M185 M186 M187 M188 M189 M190 M191 M192 M193 M194 M195 M196 M197 M198 M199 M200 M201 M202 M203 M204 M205 M206 M207 M208 M209 M210 M211 M212 M213 M214 M215 M216 M217 M218 M219 M220 M221 M222 M223 M224 M225 M226 M227 M228 M229 M230 M231 M232 M233 M234 M235 M236 M237 M238 M239 M240 M241 M242 M243 M244 M245 M246 M247 M248 M249 M250 M251 M252 M253 M254 M255 M256 M257 M258 M259 M260 M261 M262 M263 M264 M265 M266 M267 M268 M269 M270 M271 M272 M273 M274 M275 M276 M277 M278 M279 M280 M281 M282 M283 M284 M285 M286 M287 M288 M289 M290 M291 M292 M293 M294 M295 M296 M297 M298 M299 M300 M301 M302 M303 M304 M305 M306 M307 M308 M309 M310 M311 M312 M313 M314 M315 M316 M317 M318 M319 M320 M321 M322 M323 M324 M325 M326 M327 M328 M329 M330 M331 M332 M333 M334 M335 M336 M337 M338 M339 M340 M341 M342 M343 M344 M345 M346 M347 M348 M349 M350 M351 M352 M353 M354 M355 M356 M357 M358 M359 M360 M361 M362 M363 M364 M365 M366 M367 M368 M369 M370 M371 M372 M373 M374 M375 M376 M377 M378 M379 M380 M381 M382 M383 M384 M385 M386 M387 M388 M389 M390 M391 M392 M393 M394 M395 M396 M397 M398 M399 M400 M401 M402 M403 M404 M405 M406 M407 M408 M409 M410 M411 M412 M413 M414 M415 M416 M417 M418 M419 M420 M421 M422 M423 M424 M425 M426 M427 M428 M429 M430 M431 M432 M433 M434 M435 M436 M437 M438 M439 M440 M441 M442 M443 M444 M445 M446 M447 M448 M449 M450 M451 M452 M453 M454 M455 M456 M457 M458 M459 M460 M461 M462 M463 M464 M465 M466 M467 M468 M469 M470 M471 M472 M473 M474 M475 M476 M477 M478 M479 M480 M481 M482 M483 M484 M485 M486 M487 M488 M489 M490 M491 M492 M493 M494 M495 M496 M497 M498 M499 M500 M501 M502 M503 M504 M505 M506 M507 M508 M509 M510 M511 M512 M513 M514 M515 M516 M517 M518 M519 M520 M521 M522 M523 M524 M525 M526 M527 M528 M529 M530 M531 M532 M533 M534 M535 M536 M537 M538 M539 M540 M541 M542 M543 M544 M545 M546 M547 M548 M549 M550 M551 M552 M553 M554 M555 M556 M557 M558 M559 M560 M561 M562 M563 M564 M565 M566 M567 M568 M569 M570 M571 M572 M573 M574 M575 M576 M577 M578 M579 M580 M581 M582 M583 M584 M585 M586 M587 M588 M589 M590 M591 M592 M593 M594 M595 M596 M597 M598 M599 M600 M601 M602 M603 M604 M605 M606 M607 M608 M609 M610 M611 M612 M613 M614 M615 M616 M617 M618 M619 M620 M621 M622 M623 M624 M625 M626 M627 M628 M629 M630 M631 M632 M633 M634 M635 M636 M637 M638 M639 M640 M641 M642 M643 M644 M645 M646 M647 M648 M649 M650 M651 M652 M653 M654 M655 M656 M657 M658 M659 M660 M661 M662 M663 M664 M665 M666 M667 M668 M669 M670 M671 M672 M673 M674 M675 M676 M677 M678 M679 M680 M681 M682 M683 M684 M685 M686 M687 M688 M689 M690 M691 M692 M693 M694 M695 M696 M697 M698 M699 M700 M701 M702 M703 M704 M705 M706 M707 M708 M709 M710 M711 M712 M713 M714 M715 M716 M717 M718 M719 M720 M721 M722 M723 M724 M725 M726 M727 M728 M729 M730 M731 M732 M733 M734 M735 M736 M737 M738 M739 M740 M741 M742 M743 M744 M745 M746 M747 M748 M749 M750 M751 M752 M753 M754 M755 M756 M757 M758 M759 M760 M761 M762 M763 M764 M765 M766 M767 M768 M769 M770 M771 M772 M773 M774 M775 M776 M777 M778 M779 M780 M781 M782 M783 M784 M785 M786 M787 M788 M789 M790 M791 M792 M793 M794 M795 M796 M797 M798 M799 M800 M801 M802 M803 M804 M805 M806 M807 M808 M809 M810 M811 M812 M813 M814 M815 M816 M817 M818 M819 M820 M821 M822 M823 M824 M825 M826 M827 M828 M829 M830 M831 M832 M833 M834 M835 M836 M837 M838 M839 M840 M841 M842 M843 M844 M845 M846 M847 M848 M849 M850 M851 M852 M853 M854 M855 M856 M857 M858 M859 M860 M861 M862 M863 M864 M865 M866 M867 M868 M869 M870 M871 M872 M873 M874 M875 M876 M877 M878 M879 M880 M881 M882 M883 M884 M885 M886 M887 M888 M889 M890 M891 M892 M893 M894 M895 M896 M897 M898 M899 M900 M901 M902 M903 M904 M905 M906 M907 M908 M909 M910 M911 M912 M913 M914 M915 M916 M917 M918 M919 M920 M921 M922 M923 M924 M925 M926 M927 M928 M929 M930 M931 M932 M933 M934 M935 M936 M937 M938 M939 M940 M941 M942 M943 M944 M945 M946 M947 M948 M949 M950 M951 M952 M953 M954 M955 M956 M957 M958 M959 M960 M961 M962 M963 M964 M965 M966 M967 M968 M969 M970 M971 M972 M973 M974 M975 M976 M977 M978 M979 M980 M981 M982 M983 M984 M985 M986 M987 M988 M989 M990 M991 M992 M993 M994 M995 M996 M997 M998 M999 M1000

ALL INFORMATION (INCLUDING DRAWINGS AND DIAGRAMS) CONTAINED IN THIS DOCUMENT IS THE PROPERTY OF MUSIC GROUP. ADDRESSEES WHOM THE INFORMATION IS CONFIDED TO SHALL MAINTAIN THE INFORMATION IN CONFIDENCE AND SHALL NOT RELEASE IT TO ANY UNAUTHORIZED THIRD PARTIES (EXCEPT UNDER ATTORNEY CLIENT PRIVILEGE OR UNDER APPROPRIATE CONFIDENTIALITY AGREEMENTS). ANY UNAUTHORIZED DISCLOSURE, USE, APPLICATION OR ANY OTHER DEALINGS IN THE INFORMATION SHALL RESULT IN CIVIL AND/OR CRIMINAL LIABILITIES AND PENALTIES.

REV	CHANGES	DATE	INIT	FILE: POWER	DATE	NAME	POB40 01-MAIN POWER	BUGERA	SHEET 4 of 4



ALL INFORMATION (INCLUDING DRAWINGS AND DIAGRAMS) CONTAINED IN THIS DOCUMENT IS THE PROPERTY OF MUSIC GROUP. ADDRESSEES WHOM THE INFORMATION IS CONFIDED TO SHALL MAINTAIN THE INFORMATION IN CONFIDENCE AND SHALL NOT RELEASE IT TO ANY UNAUTHORIZED THIRD PARTIES (EXCEPT UNDER ATTORNEY CLIENT PRIVILEGE OR UNDER APPROPRIATE CONFIDENTIALITY AGREEMENTS). ANY UNAUTHORIZED DISCLOSURE, USE, APPLICATION OR ANY OTHER DEALINGS IN THE INFORMATION SHALL RESULT IN CIVIL AND/OR CRIMINAL LIABILITIES AND PENALTIES.

DRWN	2014-01-08	NAME	PQB40
CHKD			02-REAR
APPR			CONNECTORS
REV	DATE	INIT	FILE : CONNECTORS
D	UPDATE	2015-03-26	WH
C	UPDATE	2014-12-02	WH
B	UPDATE	2014-08-01	WH
A	CREATED	2014-05-09	WH



BUGERA

SHEET 1 of 1

Hi Pcb Assemblies

	Quantity	Unit	S.Sku	M.Sku	Description	Reference Designators	Notes
1	1.0000	PC	Q05-A5100-07609	A05-A5100-07609	PCB ASSEMBLY;POA51;REV:A;HAND INSERT;NO:828100		
2	1.0000	PC	Q05-B4001-00105	A05-B4001-00105	PCB ASSEMBLY;POB40;PCB:1;REV:E;HI;MAIN		
3	1.0000	PC	Q05-B4002-00104	A05-B4002-00104	PCB ASSEMBLY;POB40;PCB:2;REV:D;HI;REAR		

Cable

	Quantity	Unit	S.Sku	M.Sku	Description	Reference Designators	Notes
1	1.0000	PC		A81-00000-56986	WIRE HARNESS;AWG:26;UL2468;2 MM;14;COMMON;PIN1 MARKING;70 MM;P1018-14P;A2006H	[POB40:2: {1.0}(X8)]	
2	1.0000	PC		A81-27070-22822	WIRE HARNESS;LENGTH:270mm;ZEE;POLES:2;AWG:18;UL1015;ONE SIDE 7mm STRIP/TINNED;PIN1 RD/OTHERS BK		
3	1.0000	PC	Q89-50031-04316	A89-50031-04316	FOOTSWITCH CABLE;FS112;LENGTH:5000mm;POLES:3;COLOR:BLK;SPEC.NO:04316		
4	1.0000	PC	Q76-15222-06417	A76-15222-06417	CABLE;AC-CORD;W/POLYBAG;LENGTH:152cm;AWG:18;VERSION;UL;SPEC.NO:06417		(UL)
5	1.0000	PC	Q76-15212-03119	A76-15212-03119	CABLE;AC-CORD;W/POLYBAG;LENGTH:152cm;H05VV-F 3G 0.75MM2;VERSION;EU;SPEC.NO:03119		(EU)
6	1.0000	PC	Q76-15042-05624	A76-15042-05624	CABLE;AC-CORD;W/POLYBAG;LENGTH:150cm;H05VV-F3G0.75MM2;VERSION;UK;SPEC.NO:05624		(UK)
7	1.0000	PC	Q76-00000-13573	A76-00000-13573	CABLE;AC-CORD;3;AR;1500 MM;Plug + Connector:321+730;H05VV-F 3G0.75		(AR)
8	1.0000	PC	Q76-00000-05305	A76-00000-05305	CABLE;AC-CORD;3;BR;1500 MM;Plug + Connector:375+730;H05VV-F 3G0.75		(BR)
9	1.0000	PC	Q76-18050-47490	A76-18050-47490	CABLE;AC-CORD;LENGTH:180cm;VERSION;SAA;PLUG;HE105 ISOLATED;SAA H05VV-F 3x0.75mm2;CONN.HP-3;SPEC.NO:47490		(SAA)
10	1.0000	PC	Q76-15032-55649	A76-15032-55649	CABLE;AC-CORD;CLASS II;W/POLYBAG;JAPAN;LENGTH:150cm;POLES:3;APPROVAL:PSE;JS155 3 + VCTF 3x0.75mm2 + V1528		(HM, SH)

Capacitor

	Quantity	Unit	S.Sku	M.Sku	Description	Reference Designators	Notes
1	2.0000	PC			CAP E;100uF;10V;PITCH:2mm5;5mm x 11mm;VERTICAL 12.7-15-9mm	[POB40:1: {2.0}(C85,C91)]	*NOT available in DP
2	26.0000	PC			CAP E;47uF;25V;PITCH:2mm5;5mm x 11mm;VERTICAL 12.7-15-9mm	[POB40:1: {17.0}(C14,C18,C22,C27,C30-C31,C59-C60,C63,C68,C73,C79,C92-C93,C122,C155,C175)]	*NOT available in DP
3	2.0000	PC			CAP E;1uF;50V;PITCH:2mm5;5mm x 11mm;VERTICAL 12.7-15-9mm	[POB40:1: {2.0}(C11,C64)]	*NOT available in DP
4	1.0000	PC			CAP E;2uF2;50V;PITCH:2mm5;5mm x 11mm;VERTICAL 12.7-15-9mm	[POB40:2: {1.0}(C38)]	*NOT available in DP
5	1.0000	PC			CAP E;4uF7;50V;PITCH:2mm5;5mm x 11mm;VERTICAL 12.7-15-9mm	[POB40:1: {1.0}(C94)]	*NOT available in DP
6	7.0000	PC			CAP E;10uF;50V;PITCH:2mm5;5mm x 11mm;VERTICAL 12.7-15-9mm	[POB40:1: {5.0}(C19,C65,C82,C95,C140)]	*NOT available in DP
7	2.0000	PC			CAP E;47uF;63V;PITCH:2mm5;6mm x 11mm;VERTICAL 12.7-15-9mm	[POB40:1: {2.0}(C153-C154)]	*NOT available in DP
8	3.0000	PC			CAP CER;220pF;1KV;Y5P;10%;PITCH:5mm;DISC;VERTICAL 12.7-15-9mm	[POB40:1: {3.0}(C99,C166,C181)]	*NOT available in DP
9	2.0000	PC			CAP CER;220 nF;25 V;X7R;10 %;SMD603	[POB40:2: {2.0}(C20,C30)]	*NOT available in DP
10	1.0000	PC			CAP CER;0.68 uF;50 V;X7R;10%;SMD1206	[POB40:2: {1.0}(C27)]	*NOT available in DP
11	3.0000	PC			CAP CER;1uF;10V;+80%/-20%;SMT603	[POB40:1: {3.0}(C97-C98,C149)]	*NOT available in DP
12	1.0000	PC			CAP CER;8nF2;16V;COG;5%;SMD805	[POB40:1: {1.0}(C129)]	*NOT available in DP
13	1.0000	PC			CAP CER;150nF;25V;X7R;10%;SMT805	[POB40:1: {1.0}(C17)]	*NOT available in DP
14	2.0000	PC			CAP CER;220nF;25V;X7R;10%;SMT805	[POB40:1: {2.0}(C24,C69)]	*NOT available in DP
15	1.0000	PC			CAP CER;470nF;25V;X7R;10%;SMT805	[POB40:1: {1.0}(C1)]	*NOT available in DP
16	2.0000	PC			CAP CER;20pF;50V;20%;SMT603	[POB40:1: {2.0}(C117,C128)]	*NOT available in DP
17	3.0000	PC			CAP CER;47pF;50V;5%;COG(NPO);SMT603	[POB40:1: {1.0}(C7)]	*NOT available in DP
18	3.0000	PC			CAP CER;100pF;50V;20%;SMT603	[POB40:1: {1.0}(C21)]	*NOT available in DP
19	11.0000	PC			CAP CER;220pF;50V;10%;SMT603	[POB40:1: {2.0}(C26,C75)]	*NOT available in DP
20	1.0000	PC			CAP CER;470pF;50V;10%;SMT603	[POB40:2: {1.0}(C36)]	*NOT available in DP
21	11.0000	PC			CAP CER;1nF;50V;COG;5%;SMT603;(MURATA GRM1885C1H102JA01D)	[POB40:1: {11.0}(C9,C29,C53,C58,C105,C113,C119-C120,C131-C132,C143)]	*NOT available in DP
22	1.0000	PC			CAP CER;1nF2;50V;10%;SMT603	[POB40:2: {1.0}(C13)]	*NOT available in DP
23	1.0000	PC			CAP CER;1nF5;50V;COG;2%;SMT603;(MURATA GRM1885C1H152GA01D)	[POB40:2: {1.0}(C21)]	*NOT available in DP
24	3.0000	PC			CAP CER;2nF2;50V;COG;5%;SMT603;(MURATA GRM1885C1H222JA01D)	[POB40:1: {3.0}(C66-C67,C144)]	*NOT available in DP
25	3.0000	PC			CAP CER;3nF3;50V;X7R;10%;SMT603	[POB40:2: {3.0}(C2,C6,C18)]	*NOT available in DP
26	1.0000	PC			CAP CER;3nF9;50V;10%;SMT603	[POB40:2: {1.0}(C19)]	*NOT available in DP
27	3.0000	PC			CAP CER;4nF7;50V;10%;SMT603	[POB40:1: {2.0}(C74,C76)]	*NOT available in DP
28	28.0000	PC			CAP CER;10nF;50V;X7R;10%;SMT603	[POB40:1: {24.0}(C2-C6,C13,C28,C32,C49-C50,C70-C72,C80-C81,C83,C102,C115,C123,C156,C184-C185,C187-C188)]	*NOT available in DP
29	1.0000	PC			CAP CER;33nF;50V;10%;SMT603	[POB40:2: {1.0}(C4)]	*NOT available in DP
30	4.0000	PC			CAP CER;47nF;50V;10%;SMD603	[POB40:1: {4.0}(C8,C23,C56,C96)]	*NOT available in DP
31	37.0000	PC			CAP CER;100nF;50V;10%;SMT603	[POB40:1: {24.0}(C33-C48,C54-C55,C112,C124-C127,C130)]	*NOT available in DP
32	3.0000	PC			CAP CER;470pF;50V;COG;5%;SMD805	[POB40:1: {3.0}(C15,C62,C172)]	*NOT available in DP
33	1.0000	PC			CAP CER;6nF8;50V;10%;SMT805;X7R	[POB40:1: {1.0}(C12)]	*NOT available in DP
34	3.0000	PC			CAP CER;22nF;50V;COG;5%;SMD805	[POB40:1: {3.0}(C16,C20,C57)]	*NOT available in DP
35	1.0000	PC			CAP CER;33nF;50V;X7R;10%;SMD805	[POB40:1: {1.0}(C111)]	*NOT available in DP
36	3.0000	PC			CAP CER;4nF7;50V;X7R;10%;SMD805	[POB40:1: {3.0}(C10,C118,C152)]	*NOT available in DP
37	1.0000	PC			CAP CER;68nF;50V;10%;SMT805;X7R	[POB40:1: {1.0}(C116)]	*NOT available in DP
38	25.0000	PC			CAP CER;100nF;50V;X7R;10%;SMT805	[POB40:1: {25.0}(C25,C61,C84,C87-C88,C90,C100-C101,C103-C104,C108-C110,C114,C121,C136,C139,C141-C142,C146-C147,C157,C165,C173-C174)]	*NOT available in DP

	Quantity	Unit	S.Sku	M.Sku	Description	Reference Designators	Notes
39	4.0000	PC			CAP CER;100nF;100V;X7R;10%;SMD1206	[P0B40:1: {4.0}{C133-C134,C137-C138}]	*NOT available in DP
40	1.0000	PC			CAP FILM;680nF;100V;MPF;10%;PITCH:5mm;BOX;VERTICAL 12.7-15-9mm	[P0B40:1: {1.0}{C107}]	*NOT available in DP
41	1.0000	PC			CAP FILM;2uF2;100V;MPF;10%;PITCH:20mm;HEIGHT:17mm;WIDTH:23mm;THICKNESS:9mm	[P0B40:2: {1.0}{C57}]	*NOT available in DP
42	2.0000	PC			CAP E;22uF;450V;20%;PITCH:5mm;13mm x 25mm;105C;VERTICAL 12.7-15-9mm	[P0B40:1: {2.0}{C182-C183}]	*NOT available in DP
43	2.0000	PC			CAP E;1 uF;450 V;20 %;PITCH:5 MM;RADIAL;8mm x 12mm;105C;VERTICAL 12.7-15-9mm	[P0B40:1: {2.0}{C170-C171}]	*NOT available in DP
44	2.0000	PC			CAP E;100 uF;450 V;20 %;PITCH:7MM5;RADIAL;18x31mm5;105C	[P0B40:1: {2.0}{C160,C178}]	*NOT available in DP
45	2.0000	PC			CAP E;47 uF;25 V;20 %;RADIAL;5*11;2.5 MM;T&R	[P0B40:1: {2.0}{C86,C89}]	*NOT available in DP
46	2.0000	PC			CAP E;LOW ESR;47 uF;100 V;ELECTROLYTIC;20 %;RADIAL;10*16;5 MM;105C;VERTICAL 12.7-15-9mm	[P0B40:1: {2.0}{C150-C151}]	*NOT available in DP
47	4.0000	PC			CAP CER;10nF;500V;PITCH:5mm;DISC;VERTICAL 12.7-15-9mm	[P0B40:1: {4.0}{C162-C163,C167-C168}]	*NOT available in DP
48	1.0000	PC			CAP CER;10nF;1KV;20%;PITCH:10mm;DISC;PRECUT:3mm1 +/-0mm5	[P0B40:1: {1.0}{C190}]	*NOT available in DP
49	1.0000	PC			CAP CER;100nF;200V;X7R;10%;SMT1206	[P0B40:1: {1.0}{C180}]	*NOT available in DP
50	4.0000	PC			CAP FILM;22nF;400V;MPF;10%;PITCH:5mm;VERTICAL 12.7-15-9mm	[P0B40:1: {4.0}{C106,C164,C169,C177}]	*NOT available in DP
51	1.0000	PC			CAP E;2uF2;50V;PITCH:2mm5;5mm x 11mm;VERTICAL 12.7-15-9mm	[P0B40:1: {1.0}{C148}]	*NOT available in DP
52	2.0000	PC			CAP E;22uF;50V;PITCH:2mm5;6.3mm x 11mm;VERTICAL 12.7-15-9mm	[P0B40:1: {2.0}{C176,C179}]	*NOT available in DP
53	2.0000	PC			CAP E;100uF;63V;PITCH:5mm; ;10mm x 12.5mm;VERTICAL 12.7-15-9mm	[P0B40:1: {2.0}{C158-C159}]	*NOT available in DP
54	1.0000	PC			CAP E;10uF;100V;PITCH:2mm5;6mm3 x 11mm;105C;VERTICAL 12.7-15-9mm	[P0B40:1: {1.0}{C135}]	*NOT available in DP
55	1.0000	PC			CAP E;4mF7;25V;PITCH:7mm5;16mm x 30mm;PRECUT:3mm2 - 0/+0mm2	[P0B40:1: {1.0}{C189}]	*NOT available in DP
56	2.0000	PC			CAP E;2mF2;35V;20%;PITCH:7mm5;16mm x 25mm;PRECUT:3mm2 - 0/+0mm2;105C	[P0B40:1: {2.0}{C145,C161}]	*NOT available in DP

Circuit Protector

	Quantity	Unit	S.Sku	M.Sku	Description	Reference Designators	Notes
1	6.0000	PC	R21-15201-52000	B21-15201-52000	FUSE CLIP;2 A;V;ZINC PLATING;250V;SERIES;520;FUSE;250 V;PLATING	[P0B40:1: {6.0}{F1A-F3A,F1B-F3B}]	
2	2.0000	PC	R22-01513-10001	B22-01513-10001	FUSE;1A0;250V;SLOW BLOW;H-TYPE;5mm x 20mm		(EU, UK, SAA, AR)
3	1.0000	PC	R22-01513-10001	B22-01513-10001	FUSE;1A0;250V;SLOW BLOW;H-TYPE;5mm x 20mm	[P0B40:1: {1.0}{F1}]	(UL, BR, HM, SH)
4	3.0000	PC	R22-01513-20001	B22-01513-20001	FUSE;2A0;250V;SLOW BLOW;H-TYPE;5mm x 20mm		(UL, BR, HM, SH)
5	2.0000	PC	R22-01513-20001	B22-01513-20001	FUSE;2A0;250V;SLOW BLOW;H-TYPE;5mm x 20mm	[P0B40:1: {2.0}{F2-F3}]	(EU, UK, SAA, AR)

Coil

	Quantity	Unit	S.Sku	M.Sku	Description	Reference Designators	Notes
1	4.0000	PC	R39-00000-03394	B39-00000-03394	COIL;SMD;BEAD;SMD0805;(BLM21BD751SN1D)	[P0B40:1: {4.0}{L1-L4}]	

Connector

	Quantity	Unit	S.Sku	M.Sku	Description	Reference Designators	Notes
1	2.0000	PC	R84-22000-06018	B84-22000-06018	CRIMP TERMINAL;PITCH:3mm96;AWG18-22;A3963TOP-2		
2	14.0000	PC	R84-25016-06014	B84-25016-06014	CRIMP TERMINAL;PITCH:2mm0;AWG24-30;A2008TOP-2		
3	1.0000	PC	R84-42050-00155	B84-42050-00155	CRIMP CONNECTOR;LUG;INNER DIA:4mm3;AWG 14-18;WIRE MOUNT;STRAIGHT		

Diode

	Quantity	Unit	S.Sku	M.Sku	Description	Reference Designators	Notes
1	6.0000	PC			DIODE;BAV99;SOT23;SMD	[P0B40:1: {6.0}{(D1-D3,D12-D14)}]	*NOT available in DP
2	15.0000	PC			DIODE;LL4148;LL34;TEMIC OR FC;SMD	[P0B40:1: {15.0}{(D4-D8,D15-D17,D19,D32-D37)}]	*NOT available in DP
3	9.0000	PC			DIODE;GP;GS1G;400V;1A;DO-214AC;SMD	[P0B40:1: {9.0}{(D10,D20-D23,D26-D27,D30-D31)}]	*NOT available in DP
4	2.0000	PC			DIODE;ZD5V6;BZX85C5V6;DO41	[P0A5i:00: {2.0}{(D1-D2)}]	*NOT available in DP
5	1.0000	PC			DIODE;ZMM04V7;SMD1206;SMD	[P0B40:1: {1.0}{(D9)}]	*NOT available in DP
6	5.0000	PC			DIODE;RECTIFIER;SMD;SMA;1A;1000V;GS1MW	[P0B40:1: {5.0}{(D24-D25,D28-D29,D44)}]	*NOT available in DP
7	4.0000	PC			DIODE;RECTIFIER;SR360;DO201	[P0B40:1: {4.0}{(D40-D43)}]	*NOT available in DP
8	2.0000	PC			DIODE;ES3D;DO-214AB;SMD	[P0B40:1: {2.0}{(D38-D39)}]	*NOT available in DP

Hardware

	Quantity	Unit	S.Sku	M.Sku	Description	Reference Designators	Notes
1	60.0000	PC			NAIL;CROWN:2mm2;WIDTH:1mm27;THICKNESS:1mm0;LENGTH:25mm;18-GAUGE (0.49*0.40) FINISH;GALVANIZED		*NOT available in DP
2	33.0000	PC			NAIL;STAPLE;CROWN 10mm;LEGLNGTH:10mm;WIDTH:1.2mm;THICKNESS:0mm6;FINISH: GALVANIZED		*NOT available in DP
3	1.0000	PC			CABLE TIE;NYLON;4in;COLOR:		*NOT available in DP
4	0.7000	G			THERM-GREASE;COLOR:WHT;SPEC.NO:09286		*NOT available in DP
5	0.4000	G			SCREWLOCK;SPEC.NO:01090		*NOT available in DP
6	2.0000	PC			HEX.NUT;12 MM;2 MM;NICKEL;SILVER;0.75 MM		*NOT available in DP
7	1.0000	PC			HEX.NUT T-NUT;11.11 MM;4 MM;17 MM;NICKEL;SILVER;OCT. NUT;7/16" x G20		*NOT available in DP
8	11.0000	PC			T-NUT;INNER DIA;M4mm;W/PRONG;SURFACE:ZINC/BLACK		*NOT available in DP
9	8.0000	PC			T-NUT;INNER DIA;M5mm;THICK:8mmW/PRONG;SURFACE:ZINC;COLOR:BLACK		*NOT available in DP
10	10.0000	PC			HEX PIPE-NUT;THREAD-DIA;M9mm;HEIGHT:2mm;SURFACE:ZINC		*NOT available in DP
11	6.0000	PC			OCT. NUT;FOR JACK;3/8in;OCTWRENCH:14.5mm;THICKNESS:3.5mm;SURFACE:NICK EL/SILVER		*NOT available in DP
12	1.0000	PC			HEX. NUT;INNER DIA:13mm;SURFACE:ZINC		*NOT available in DP
13	4.0000	PC	V87-00200-10103	F87-00200-10103	RUBBER BUSHING;I00172P;DST.NO:002;DPT.NO:10103;(I00172P-RUBBER_BUSHING-REVB.dwf)		
14	2.0000	PC		F87-01000-12070	PAD;RUBBER;6mm*2mm5;COLOR:BLK;DWG.NO:12070;(R14-GUITAR-RUBBERPAD-REVB.DWG)		
15	16.0000	PC			SCREW;A;4 MM;13 MM;PAN;ZINC;BLACK;2.84 MM;SC;A4*13mm		*NOT available in DP
16	2.0000	PC			SCREW;M3mm*3mm;HEAD:PAN WASHER DIA 4mm5;INSERT:PHILIPS REC.;SURFACE:BLACK/ZINC		*NOT available in DP
17	4.0000	PC			SCREW;M3mm*6mm;PITCH:0mm5;HEAD:FLAT;INSERT:PHILIPS REC.;SURFACE:BLACK/ZINC		*NOT available in DP
18	4.0000	PC			SCREW;M3mm*7mm;HEAD:PAN;INSERT:PHILIPS REC.;SURFACE:BLACK/ZINC		*NOT available in DP
19	4.0000	PC			SCREW;BT3mm*8mm;HEAD:PAN;INSERT:PHILIPS REC.;SURFACE:ZINC		*NOT available in DP
20	12.0000	PC			SCREW;M03mm*08mm;HEAD:PAN SPRING WASHER;INSERT:PHILIPS REC.;SURFACE:SILVER/ZINC		*NOT available in DP
21	2.0000	PC			SCREW;M3mm*10mm;HEAD:PAN;INSERT:PHILIPS REC.;SURFACE:BLACK/ZINC		*NOT available in DP
22	6.0000	PC			SCREW;M4mm*8mm;HEAD:BINDING;INSERT:PHILIPS REC.;SURFACE:BLACK/ZINC		*NOT available in DP
23	1.0000	PC			SCREW;M4mm*8mm;HEAD:PAN;INSERT:PHILIPS REC.;SURFACE:SILVER/ZINC		*NOT available in DP
24	11.0000	PC			SCREW;M4mm*21mm;HEAD:PAN WASHER DIA 9mm;INSERT:PHILIPS REC.;SURFACE:BLACK/ZINC		*NOT available in DP
25	6.0000	PC			SCREW;M4mm*30mm;HEAD:OVAL;INSERT:PHILIPS REC.;SURFACE:BLACK/ZINC		*NOT available in DP
26	4.0000	PC			SCREW;M5mm*22mm;HEAD:OVAL;INSERT:PHILIPS REC.;SURFACE:SILVER/CHROME		*NOT available in DP
27	4.0000	PC			SCREW;M5mm*23mm;HEAD:PAN;INSERT:PHILIPS REC.;SURFACE:BLACK/ZINC		*NOT available in DP
28	1.0000	PC			METAL SHIELD;POB40-SHIELD;REVA		*NOT available in DP
29	1.0000	PC			SILICA GEL;MASS;30g;SPEC.NO:30QB-BB2001-4		*NOT available in DP
30	4.0000	PC			CLIP-ON NUT;SQUARE STYLE;FOR M4 NUTS;PANEL THICKNESS:0mm4 TO 0mm6;SURFACE:ZINC/SILVER;(LAN-XIN LXJ12A)		*NOT available in DP

	Quantity	Unit	S.Sku	M.Sku	Description	Reference Designators	Notes
31	4.0000	PC			SPRING;0,7 MM;23,5 MM;7,5 MM;NICKEL;SV;P0739-TUBE_SPRING		*NOT available in DP
32	2.0000	PC			SPRING;CYLINDRICAL;FS112;6mm*14mm8;CARBON STEEL;DWG.NO:04288;(R14-FCB1010-SPRING-REVA.DWG)		*NOT available in DP
33	0.1400	M			SHRINKING TUBE;INNER DIA:5mm2;SPEC.NO:16898;		*NOT available in DP
34	6.0000	PC			WASHER;9,7 MM;16 MM;NICKEL;WHITE;WASHER;FLAT;DIM:9,7*16*0,5mm;NIC		*NOT available in DP
35	1.0000	PC			WASHER;10,9 MM;0,5 MM;18 MM;NICKEL;SILVER;PLAIN		*NOT available in DP
36	6.0000	PC			WASHER;PLAIN;INNER DIA:4mm;OUTER DIA:8mm;THICKNESS:1mm;PLATING;NICKEL		*NOT available in DP
37	10.0000	PC			WASHER;PLAIN;INNER DIA:9mm6;OUTER DIA:13mm;THICKNESS;0mm5;PLATING;NICKEL		*NOT available in DP
38	4.0000	PC			WASHER;PLAIN;INNER DIA:12mm3;OUTER DIA:16mm6;THICKNESS:0mm5;SURFACE:NICKEL/SILVER		*NOT available in DP
39	7.0000	PC			WASHER;SPRING;INNER DIA:4mm;OUTER DIA:7mm;THICKNESS;1mm7		*NOT available in DP
40	1.0000	PC			WASHER;SPRING;INNER DIA:14mm5;OUTER DIA:17mm;THICKNESS:1mm5;PLATING;NICKEL		*NOT available in DP
41	1.0000	PC			WASHER;EXTERNAL TEETH;INNER DIA:4mm;OUTER DIA:7mm;THICKNESS;1mm7		*NOT available in DP
42	6.0000	PC			WASHER;DONUT;INNER DIA:5mm5;OUTER DIA:16mm;THICKNESS;2mm6;PLATING;BLACK/ZINC		*NOT available in DP
43	1.0000	PC		F97-17000-04145	SHEET;FOAM;FOOTSWITCH;FS112;W/ DURABLE ADHESIVE;DWG.NO:04145;(R14-GX112-FOAM-REVA.DWG)		
44	1.0000	PC			BUSHING;CABLE;FS112;NYLON;DWG.NO:04141;(R14-CABLEBUSHING-REVA.DWG)		*NOT available in DP

Ic

	Quantity	Unit	S.Sku	M.Sku	Description	Reference Designators	Notes
1	1.0000	PC		C60-00000-79902	IC;AD/DA;MSOP;10;DAC082S085	[P0B40:1: {1.0}]{IC16}	
2	1.0000	PC	S60-54422-00528	C60-22422-00528	IC;AD/DA;V4220M;SSOP	[P0B40:1: {1.0}]{IC19}	
3	17.0000	PC		C73-00000-29050	IC;OPAMP;SMD;SOP;8;BA4580RF	[P0B40:1: {1.0}]{IC2-IC9,IC15,IC20-IC21}	
4	1.0000	PC	S73-58007-40514	C73-31007-40514	IC;OPAMP OPAMP;TL074;SOP;	[P0B40:1: {1.0}]{IC10}	
5	1.0000	PC	S73-58007-22208	C73-58007-22208	IC;OPAMP OPAMP;TL072;SOP;BRAND:ST ONLY	[P0B40:1: {1.0}]{IC11}	
6	1.0000	PC	S77-00000-28276	C77-00000-28276	IC;VOLT.REGULATOR;TO220;LM7905L	[P0B40:1: {1.0}]{IC11}	
7	1.0000	PC	S77-05107-03110	C77-05107-03110	IC;VOLT.REGULATOR;7805F;FULLPACK;TO220	[P0B40:1: {1.0}]{IC14}	
8	1.0000	PC	S77-12107-03110	C77-12107-03110	IC;VOLT.REGULATOR;7812F;FULLPACK;TO220	[P0B40:1: {1.0}]{IC13}	
9	1.0000	PC	S77-12207-03110	C77-12207-03110	IC;VOLT.REGULATOR;7912F;FULLPACK;TO220	[P0B40:1: {1.0}]{IC12}	
10	1.0000	PC	T12-00100-02216	D12-00100-02217	IC;DIG COMM.;EUROTEC;V1000;SOIC	[P0B40:1: {1.0}]{IC18}	
11	1.0000	PC	T22-31001-40514	D22-31001-40514	IC;LOGIC;74HC14;SOP	[P0B40:1: {1.0}]{IC24}	
12	1.0000	PC	T22-31007-40514	D22-31007-40514	IC;LOGIC;74HC74;SOP	[P0B40:1: {1.0}]{IC23}	
13	1.0000	PC	T24-18081-61832	D24-18081-61832	IC;MICROCONTROLLER;ATMEGA8A-AU;SMD;TQFP32		
14	1.0000	PC	T24-48030-02803	D24-48030-02803	IC;MICROCONTROLLER;MAX809STRG;Vth:2.93V;SOT	[P0B40:1: {1.0}]{IC22}	
15	1.0000	PC		D33-00001-30189	IC;MICROCONTROLLER, PROGRAMMED;FIRMWARE G20 INFINIUM V1.0	[P0B40:1: {1.0}]{IC17}	

Led

	Quantity	Unit	S.Sku	M.Sku	Description	Reference Designators	Notes
1	1.0000	PC	U10-00000-47170	E10-00000-47170	LED;RED;LEN:RED;DIFFUSE;H8;3MM ROUND;ANGLE;BASE:4.5X5.08X6	[P0B40:1: {1.0}(LD1)]	
2	1.0000	PC		E10-00000-79899	LED NB;3mm0 ROUND;GREEN;DIFFUSE;NORMAL BRIGHT;ANGLE;BASE:4.5X5.08X6	[P0B40:1: {1.0}(LD2)]	
3	1.0000	PC	U10-51610-05431	E10-51610-05431	LED HIB;3mm ROUND;AMBER;VERTICAL;NO RING;WAVELENGTH;610 nm	[P0B40:1: {1.0}(LD3)]	
4	1.0000	PC	U10-53565-00588	E10-53565-00588	LED HIB;3mm ROUND;GREEN	[P0A51:00: {1.0}(LD2)]	
5	3.0000	PC	U12-57630-00590	E12-57630-00590	LED;3mm ROUND;RD	[P0B40:2: {2.0}(LD1-LD2)]	

Metal Part

	Quantity	Unit	S.Sku	M.Sku	Description	Reference Designators	Notes
1	1.0000	PC		A62-07400-18216	METAL;BOTTOM;FS112G;BLACK;DWG.NO:18216;(R14-GX-FOOTBOTTOM-REVC.DWG)		
2	1.0000	PC		A63-00000-65024	METAL;P0APR;ALUMINIUM 6061;HEATSINK;EXTRUSION, CUTTING;OXIDIZING;BLACK;AMP HEATSINK;REVA		
3	1.0000	PC		A63-00001-04098	METAL;HEATSINK;P0B40;MATERIAL:ALUMINIUM;P0B40-MET_HEATSINK;REVA		
4	1.0000	PC		A65-00000-91172	METAL;GRILL;P0B40;MATERIAL:SPCC 1.5mm;BENDING PUNCHING;BLACK;P0B40-MET_GRILL-REVA		
5	2.0000	PC		A65-00001-04087	METAL;CAP;P0B40;MATERIAL:MN65;BENDING + PUNCHING;P0B40-MET_TUBE_CAP;REVA		
6	4.0000	PC		A65-00100-12275	METAL;SPRING HOLDER;P0739;DST.NO:001;DPT.NO:12275;(P0739-SPRING HOLDER-REVA.DWG)		
7	8.0000	PC	Q65-02000-04400	A65-02000-04400	METAL;CORNER;GX112;DWG.NO:04400;(R20-GX112-CORNER-REVB.DWG)		
8	2.0000	PC		A65-15000-04134	METAL;SPACER;LENGTH:4mm4;HOLE DIA:3mm5;DWG.NO:04134;(R14-FS112-SPACER-REVA.DWG)		
9	1.0000	PC		J02-00001-20984	METAL;CASE;P0B40;MATERIAL:SECC 1.2mm;BENDING PUNCHING;POWDER COATING;BLACK;A001		
10	1.0000	PC		J02-01400-18217	METAL;COVER;P0A51;BLACK;PRINTED;FST.NO:014;DPT.NO:18217;(GX-FOOTPEDALCOVER-REVD.DWG)		

Plastic Part

	Quantity	Unit	S.Sku	M.Sku	Description	Reference Designators	Notes
1	4.0000	PC	W51-00100-14745	G51-00100-14745	PLASTIC;RUBFOOT;P0738;DST.NO:001;DPT.NO:14745;(P0738-RUBFOOT-REVA.DWG)		
2	2.0000	PC		G52-00100-07083	PLASTIC;SWITCH KNOB;P0491;ABS PA757;MOULDING;YS1284A;BLACK;SWITCH;I00168P;DST.NO:001;DPT.NO:07083;(I00168P-SWITCH_KNOB_18MM-REVA.DWG)		
3	1.0000	PC	W52-00100-14962	G52-00100-14962	PLASTIC;PUSH KNOB;I00499P;BLACK CHROME;DST.NO:001;DPT.NO:14962;(I00499P-PUSH_KNOB-REVA)		
4	2.0000	PC	W52-80500-09382	G52-80500-09382	KNOB;SWITCH;FOOTPEDALS;BLACK;DWG.NO:09382;(R14-GUITAR-SWITCHKNOB1-REVA.DWG)		
5	1.0000	PC	W53-00000-04668	G53-00000-04668	PLASTIC;JEWEL;P0404;AMBER TRANSLUCENT		
6	2.0000	PC	W53-00000-12925	G53-00000-12925	PLASTIC;P0806;RUBBER 70degC;GROMMET;BLACK;12AX7;REV:C		
7	1.0000	PC		G53-00001-04111	PLASTIC;STRIP;P0B40;HDPE;SILVER;P0B40-PLA_STRIP;REVA		
8	1.0000	PC	W53-40900-05211	G53-40900-05211	LEATHER;HANDLE;P0738;BLACK LEATHER+SILVER METAL		
9	10.0000	PC		G58-00000-80920	PLASTIC;KNOB;P0ATD;ABS;INJECTION;PAINTING NORMAL;BLACK CHROME;POT-KNOB		
10	1.0000	PC	W58-00200-09291	G58-00200-09291	PLASTIC;BUGERA LOGO;I00315P;BLACK CHROME;DST.NO:002;DPT.NO:09291;(I00315P-BUGERA_LOGO-REVB.DWG)		
11	2.0000	PC		G58-00200-11129	PLASTIC;LED SPACER;MOULDING;BLACK;NO:8LENGTH:9MM;DST.NO:002;DPT.NO:11129;(LED-SPACER9MM.REVB.DWG)		
12	1.0000	PC	W58-00300-08619	G58-00300-08619	PLASTIC;SPACER;PC;MOULDING;BLACK;3MM VERTICAL;DST.NO:003;DPT.NO:08619;(I00129P-LED_SPACER-REVC.DWG)		
13	2.0000	PC	W58-00300-11128	G58-00300-11128	PLASTIC;SPACER;P0062;MOULDING;BLACK;LED SPACER2;DI100 DSP110;DST.NO:003;DPT.NO:11128;(R14-DI100-LEDSPACER2-REVC.DWG)		
14	2.0000	PC		G58-53000-25624	PLASTIC;BASE;P0089;ABS;YS1285A;BLACK;FS112 FS114 FCB1010;COLOR:BLK;DWG.NO:25624;(R14-GUITAR-SWITCHBASE1-REVB.DWG)		

Plug Socket

	Quantity	Unit	S.Sku	M.Sku	Description	Reference Designators	Notes
1	1.0000	PC	W64-14152-03710	G64-14152-03710	PLUG;PCB;PLUG;JACK PHONE;STRAIGHTPCB LUGS;MONO 6mm3;DUAL TIP/NO RING CONTACTS;NO NUT/WASHER;METAL BUSHING;(CHUNSHENG PJ-622HA-EP)	[POB40:2: {1.0}(X7)]	
2	5.0000	PC	W64-16212-00005	G64-16212-00005	PLUG;PCB;PLUG;JACK STEREO 6mm3;STRAIGHTPCB LUGS;NO NUT/WASHER;METAL BUSHING;(CHUNSHENG PJ-632HA)	[POB40:2: {5.0}(X2-X6)]	
3	1.0000	PC	W64-25272-06052	G64-25272-06052	PLUG;JACK STEREO 6mm3;ANGLED;W/O MET.RNG.;W/O NUT ONLY;(CHUNG YEN HSJ-064-20-P)	[POB40:1: {1.0}(X1)]	
4	1.0000	PC	W67-20103-01824	G67-20103-01824	PLUG;AC SOCK;W FUSE;SNAP-IN;COLOR:BLK;POLES:03;(RONG-FENG RF-2004)		
5	1.0000	PC		G71-00000-03961	WAFER;V1000-14B,0.35um;LOGIC-3.3V(1P4M)		
6	1.0000	PC		G71-00000-90754	WAFER;POLES:9;ROWS:1;STRAIGHT;PITCH:3.96 MM;NO PIN2 AND PIN4	[POB40:1: {1.0}(X5)]	
7	1.0000	PC	W71-23114-04753	G71-23114-04753	WAFER;POLES:14;STRAIGHT;PITCH:2 mm;1 ROW;TYPE:A2006WV-14P	[POB40:1: {1.0}(X6)]	
8	1.0000	PC	W71-27102-04759	G71-27102-04759	WAFER;POLES:2;STRAIGHT;PITCH:3.96 mm;1 ROW;JS1120-02	[POB40:1: {1.0}(X7)]	
9	1.0000	PC	W71-27104-04415	G71-27104-04415	WAFER;POLES:4;STRAIGHT;PITCH:3.96 mm;1 ROW;JS1120-04	[POB40:2: {1.0}(X1)]	
10	1.0000	PC		G71-27105-04760	WAFER;POLES:5;STRAIGHT;PITCH:3.96 mm;1 ROW;JS1120-05-S1;W/O PIN2 AND PIN4	[POB40:1: {1.0}(X4)]	
11	1.0000	PC	W71-43114-06006	G71-43114-06006	PLUG;HOUSING;POLES:14;ROWS:1;STRAIGHT;PITCH:2mm;TYP:A2008		
12	1.0000	PC	W71-47102-05844	G71-47102-05844	PLUG;HOUSING;A3963H02;PITCH:3mm96;POLES:2;ROWS:1;UL94-V0;STRAIGHT		
13	14.0000	PC	W71-80000-05663	G71-80000-05663	BD.-IN-CONN;TERMINAL;SAN-002T-0.8A		
14	1.0000	PC	W71-83114-05658	G71-83114-05658	BOARD-IN-CONNECTOR;POLES:14;ROWS:1;STRAIGHT;PITCH:2 mm		
15	2.0000	PC		G73-00001-02619	SOCKET;TUBESOCKET;POLES:8;FOR EL34 OR 6L6;CERAMIC;COLOR:WHT;W/ SOLDER LUGS;VERSION1;TUS8PC8C	[POB40:1: {2.0}(V2-V3)]	
16	2.0000	PC	W73-28509-01218	G73-28509-01218	SOCKET;POLES:09;VACUUM TUBE;FOR 12AX7;CERAMIC;COLOR:WHT;W/ SOLDER LUGS;VERSION1;TUS9PC9C	[POB40:1: {2.0}(V1,V4)]	

Power Supply

	Quantity	Unit	S.Sku	M.Sku	Description	Reference Designators	Notes
1	1.0000	PC		J60-00001-02604	TRAFO;AUDIO I/O;POB40		
2	1.0000	PC		J65-00001-02606	TRAFO;EI POWER;POB40;UL 120;VERSION:UL		(UL, BR)
3	1.0000	PC		J65-00001-02607	TRAFO;EI POWER;POB40;JP 100;VERSION:JP		(HM, SH)
4	1.0000	PC		J65-00001-02605	TRAFO;EI POWER;POB40;EU 230 OR 240;VERSION:EU		(EU, UK, SAA, AR)

Quarz

	Quantity	Unit	S.Sku	M.Sku	Description	Reference Designators	Notes
1	1.0000	PC	X65-40471-00000	H65-40471-00000	QUARZ;RESONATOR;10MHz;HC49/S;FUNDAMENTAL	[POB40:1: {1.0}(Q1)]	

Resistor

	Quantity	Unit	S.Sku	M.Sku	Description	Reference Designators	Notes
1	4.0000	PC			RESISTOR;CARBON;13Kohm;5%;0W063;SMD603	[POB40-1: {2.0}(R72,R75)]	*NOT available in DP
2	1.0000	PC			RESISTOR;CARBON;2ohm2;5%;0W063;SMD603	[POB40-1: {1.0}(R89)]	*NOT available in DP
3	5.0000	PC			RESISTOR;CARBON;5ohm1;5%;0W063;SMD603	[POB40-1: {5.0}(R84,R99-R100,R106-R107)]	*NOT available in DP
4	1.0000	PC			RESISTOR;CARBON;47ohm;5%;0W063;SMD603	[POB40-1: {1.0}(R76)]	*NOT available in DP
5	2.0000	PC			RESISTOR;CARBON;100ohm;5%;0W063;SMD603	[POB40-1: {2.0}(R2,R10)]	*NOT available in DP
6	1.0000	PC			RESISTOR;CARBON;120ohm;5%;0W063;SMD603	[POB40-2: {1.0}(R37)]	*NOT available in DP
7	1.0000	PC			RESISTOR;CARBON;270ohm;5%;0W063;SMD603	[POB40-2: {1.0}(R46)]	*NOT available in DP
8	1.0000	PC			RESISTOR;CARBON;510ohm;5%;0W063;SMD603	[POB40-1: {1.0}(R27)]	*NOT available in DP
9	1.0000	PC			RESISTOR;CARBON;560ohm;5%;0W063;SMD603	[POB40-1: {1.0}(R52)]	*NOT available in DP
10	1.0000	PC			RESISTOR;CARBON;620ohm;5%;0W063;SMD603	[POB40-1: {1.0}(R42)]	*NOT available in DP
11	2.0000	PC			RESISTOR;CARBON;680ohm;5%;0W063;SMD603	[POB40-1: {2.0}(R145,R155)]	*NOT available in DP
12	2.0000	PC			RESISTOR;CARBON;820ohm;5%;0W063;SMD603	[POB40-1: {2.0}(R24,R91)]	*NOT available in DP
13	7.0000	PC			RESISTOR;CARBON;1Kohm;5%;0W063;SMD603	[POB40-1: {5.0}(R20,R23,R58,R66,R157)]	*NOT available in DP
14	7.0000	PC			RESISTOR;CARBON;2Kohm;5%;0W063;SMD603	[POB40-1: {7.0}(R36-R40,R50,R74)]	*NOT available in DP
15	4.0000	PC			RESISTOR;CARBON;2Kohm2;5%;0W063;SMD603	[POB40-1: {4.0}(R41,R216-R217,R228)]	*NOT available in DP
16	7.0000	PC			RESISTOR;CARBON;2Kohm7;5%;0W063;SMD603	[POB40-1: {6.0}(R73,R85,R108,R149,R185-R186)]	*NOT available in DP
17	5.0000	PC			RESISTOR;CARBON;3Kohm3;5%;0W063;SMD603	[POB40-1: {2.0}(R54,R180)]	*NOT available in DP
18	16.0000	PC			RESISTOR;CARBON;4Kohm7;5%;0W063;SMD603	[POB40-1: {16.0}(R4-R7,R9,R11-R12,R14,R32,R53,R55,R57,R63,R77,R90,R179)]	*NOT available in DP
19	2.0000	PC			RESISTOR;CARBON;5Kohm1;5%;0W063;SMD603	[POB40-1: {2.0}(R1,R34)]	*NOT available in DP
20	3.0000	PC			RESISTOR;CARBON;5Kohm6;5%;0W063;SMD603	[POB40-1: {3.0}(R64-R65,R207)]	*NOT available in DP
21	1.0000	PC			RESISTOR;CARBON;6Kohm2;5%;0W063;SMD603	[POB40-2: {1.0}(R23)]	*NOT available in DP
22	3.0000	PC			RESISTOR;CARBON;6Kohm8;5%;0W063;SMD603	[POB40-1: {3.0}(R17-R18,R31)]	*NOT available in DP
23	1.0000	PC			RESISTOR;CARBON;7Kohm5;5%;0W063;SMD603	[POB40-1: {1.0}(R60)]	*NOT available in DP
24	1.0000	PC			RESISTOR;CARBON;8Kohm2;5%;0W063;SMD603	[POB40-2: {1.0}(R29)]	*NOT available in DP
25	4.0000	PC			RESISTOR;CARBON;9Kohm1;5%;0W063;SMD603	[POB40-1: {1.0}(R44)]	*NOT available in DP
26	29.0000	PC			RESISTOR;CARBON;10Kohm;5%;0W063;SMD603	[POB40-1: {20.0}(R19,R22,R35,R61,R69-R70,R88,R98,R105,R112,R118,R121,R160,R172,R182,R188-R189,R198,R204,R206)]	*NOT available in DP
27	4.0000	PC			RESISTOR;CARBON;12Kohm;5%;0W063;SMD603	[POB40-2: {4.0}(R12,R24,R35-R36)]	*NOT available in DP
28	1.0000	PC			RESISTOR;CARBON;14Kohm;1%;0W063;SMD603	[POB40-1: {1.0}(R21)]	*NOT available in DP
29	2.0000	PC			RESISTOR;CARBON;15Kohm;5%;0W063;SMD603	[POB40-1: {2.0}(R68,R187)]	*NOT available in DP
30	1.0000	PC			RESISTOR;CARBON;18Kohm;5%;0W063;SMD603	[POB40-1: {1.0}(R168)]	*NOT available in DP
31	1.0000	PC			RESISTOR;CARBON;20Kohm;5%;0W063;SMD603	[POB40-1: {1.0}(R30)]	*NOT available in DP
32	5.0000	PC			RESISTOR;CARBON;22Kohm;5%;0W063;SMD603	[POB40-1: {3.0}(R15,R29,R130)]	*NOT available in DP
33	2.0000	PC			RESISTOR;CARBON;27Kohm;5%;0W063;SMD603	[POB40-1: {2.0}(R56,R166)]	*NOT available in DP
34	6.0000	PC			RESISTOR;CARBON;33Kohm;5%;0W063;SMD603	[POB40-1: {6.0}(R48,R51,R59,R126-R127,R167)]	*NOT available in DP
35	2.0000	PC			RESISTOR;CARBON;39Kohm;5%;0W063;SMD603	[POB40-2: {2.0}(R30,R41)]	*NOT available in DP
36	12.0000	PC			RESISTOR;CARBON;47Kohm;5%;0W063;SMD603	[POB40-1: {10.0}(R13,R16,R28,R62,R181,R203,R205,R227,R229-R230)]	*NOT available in DP
37	2.0000	PC			RESISTOR;CARBON;68Kohm;5%;0W063;SMD603	[POB40-2: {2.0}(R33-R34)]	*NOT available in DP
38	1.0000	PC			RESISTOR;CARBON;82Kohm;5%;0W063;SMD603	[POB40-1: {1.0}(R33)]	*NOT available in DP
39	12.0000	PC			RESISTOR;CARBON;100Kohm;5%;0W063;SMD603	[POB40-1: {8.0}(R25,R49,R92,R95,R113,R122,R146,R161)]	*NOT available in DP
40	4.0000	PC			RESISTOR;CARBON;120Kohm;5%;0W063;SMD603	[POB40-1: {4.0}(R26,R67,R71,R184)]	*NOT available in DP
41	2.0000	PC			RESISTOR;CARBON;220Kohm;5%;0W063;SMD603	[POB40-1: {2.0}(R97,R163)]	*NOT available in DP
42	3.0000	PC			RESISTOR;CARBON;330Kohm;5%;0W063;SMD603	[POB40-1: {3.0}(R8,R170-R171)]	*NOT available in DP

	Quantity	Unit	S.Sku	M.Sku	Description	Reference Designators	Notes
43	2.0000	PC			RESISTOR;CARBON;470Kohm;5%;0W063;SMD603	[P0B40:1: {2.0}(R114,R169)]	*NOT available in DP
44	2.0000	PC			RESISTOR;CARBON;820Kohm;5%;0W063;SMD603	[P0B40:1: {2.0}(R115,R162)]	*NOT available in DP
45	4.0000	PC			RESISTOR;CARBON;1Mohm;5%;0W063;SMD603	[P0B40:1: {4.0}(R3,R129,R200,R221)]	*NOT available in DP
46	2.0000	PC			RESISTOR;METAL;200ohm;1%;0W063;SMD603	[P0B40:1: {2.0}(R101,R103)]	*NOT available in DP
47	2.0000	PC			RESISTOR;METAL;360ohm;1%;0W063;SMD603	[P0B40:1: {2.0}(R117,R133)]	*NOT available in DP
48	2.0000	PC			RESISTOR;METAL;1Kohm2;1%;0W063;SMD603	[P0B40:1: {2.0}(R124,R132)]	*NOT available in DP
49	4.0000	PC			RESISTOR;METAL;2Kohm2;1%;0W063;SMD603	[P0B40:1: {4.0}(R116,R123,R131,R140)]	*NOT available in DP
50	2.0000	PC			RESISTOR;METAL;3Kohm9;1%;0W063;SMD603	[P0B40:1: {2.0}(R125,R141)]	*NOT available in DP
51	4.0000	PC			RESISTOR;METAL;4Kohm7;1%;0W063;SMD603	[P0B40:2: {4.0}(R19,R27,R38-R39)]	*NOT available in DP
52	2.0000	PC			RESISTOR;METAL;7Kohm50;1%;0W063;SMD603	[P0B40:1: {2.0}(R102,R110)]	*NOT available in DP
53	2.0000	PC			RESISTOR;METAL;8Kohm06;1%;0W063;SMD603	[P0B40:1: {2.0}(R109,R111)]	*NOT available in DP
54	1.0000	PC			RESISTOR;METAL;8Kohm45;1%;0W063;SMD603	[P0B40:1: {1.0}(R43)]	*NOT available in DP
55	3.0000	PC			RESISTOR;METAL;10Kohm;1%;0W063;SMD603	[P0B40:1: {3.0}(R86-R87,R156)]	*NOT available in DP
56	4.0000	PC			RESISTOR;METAL;20Kohm;1%;0W063;SMD603	[P0B40:1: {4.0}(R93-R94,R119-R120)]	*NOT available in DP
57	2.0000	PC			RESISTOR;METAL;22Kohm;1%;0W063;SMD603	[P0B40:1: {2.0}(R151-R152)]	*NOT available in DP
58	2.0000	PC			RESISTOR;METAL;470Kohm;1%;0W063;SMD603	[P0B40:1: {2.0}(R135-R136)]	*NOT available in DP
59	7.0000	PC			RESISTOR;CARBON;100ohm;5%;0W1;SMD805	[P0B40:1: {3.0}(R83,R191,R195)]	*NOT available in DP
60	2.0000	PC			RESISTOR;CARBON;510ohm;5%;0W1;SMD805	[P0B40:1: {2.0}(R192,R196)]	*NOT available in DP
61	1.0000	PC			RESISTOR;CARBON;820ohm;5%;0W1;SMD805	[P0B40:1: {1.0}(R233)]	*NOT available in DP
62	5.0000	PC			RESISTOR;CARBON;1Kohm;5%;0W1;SMD805	[P0B40:1: {5.0}(R144,R150,R153-R154,R164)]	*NOT available in DP
63	2.0000	PC			RESISTOR;CARBON;1Kohm5;5%;0W1;SMD805	[P0B40:1: {2.0}(R176,R224)]	*NOT available in DP
64	2.0000	PC			RESISTOR;CARBON;1Kohm6;5%;0W1;SMD805	[P0B40:1: {2.0}(R147-R148)]	*NOT available in DP
65	4.0000	PC			RESISTOR;CARBON;2Kohm2;5%;0W1;SMD805	[P0B40:1: {4.0}(R209-R211,R215)]	*NOT available in DP
66	1.0000	PC			RESISTOR;CARBON;6Kohm8;5%;0W1;SMD805	[P0B40:1: {1.0}(R219)]	*NOT available in DP
67	2.0000	PC			RESISTOR;CARBON;10Kohm;5%;0W1;SMD805	[P0B40:1: {2.0}(R128,R212)]	*NOT available in DP
68	2.0000	PC			RESISTOR;CARBON;11Kohm;5%;0W1;SMD805	[P0B40:1: {2.0}(R158-R159)]	*NOT available in DP
69	1.0000	PC			RESISTOR;CARBON;20Kohm;5%;0W1;SMD805	[P0B40:1: {1.0}(R173)]	*NOT available in DP
70	4.0000	PC			RESISTOR;CARBON;47Kohm;5%;0W1;SMD805	[P0B40:1: {4.0}(R134,R137,R142-R143)]	*NOT available in DP
71	1.0000	PC			RESISTOR;CARBON;100Kohm;5%;0W1;SMD805	[P0B40:1: {1.0}(R213)]	*NOT available in DP
72	3.0000	PC			RESISTOR;CARBON;220Kohm;5%;0W1;SMD805	[P0B40:1: {3.0}(R190,R197,R220)]	*NOT available in DP
73	3.0000	PC			RESISTOR;CARBON;330Kohm;5%;0W1;SMD805	[P0B40:1: {3.0}(R45-R47)]	*NOT available in DP
74	2.0000	PC			RESISTOR;CARBON;470Kohm;5%;0W1;SMD805	[P0B40:1: {2.0}(R139,R165)]	*NOT available in DP
75	2.0000	PC			RESISTOR;CARBON;1Mohm;5%;0W1;SMD805	[P0B40:1: {2.0}(R138,R218)]	*NOT available in DP
76	1.0000	PC			RESISTOR;CARBON;100ohm;5%;0W25;SMD1206	[P0B40:1: {1.0}(R231)]	*NOT available in DP
77	2.0000	PC			RESISTOR;CARBON;10Kohm;5%;0W25;SMD1206	[P0B40:1: {2.0}(R225-R226)]	*NOT available in DP
78	2.0000	PC			RESISTOR;METAL;2ohm2;1%;0W25;SMD1206	[P0B40:1: {2.0}(R201-R202)]	*NOT available in DP
79	2.0000	PC			RESISTOR;SMT;12Kohm7;1%;METAL;0W25;SMD1206	[P0B40:1: {2.0}(R193-R194)]	*NOT available in DP
80	2.0000	PC			RESISTOR;SMD;METAL;300Kohm;1%;0W25;SMD1206	[P0B40:1: {2.0}(R177-R178)]	*NOT available in DP
81	1.0000	PC	Y04-12000-03091	I04-12000-03091	THERMISTOR;NTC;20ohm;+/- 20%;4A;DIA.;PITCH:7mm5;(THINKING SCK-20200MSY)		
82	1.0000	PC			RESISTOR;METAL;5.6 kohm;2W;5%;METAL OXIDE FILM;MOF;F-TYPE	[P0B40:1: {1.0}(R234)]	*NOT available in DP
83	1.0000	PC			RESISTOR;CARBON;220Kohm;5%;0W5;LEAD WIRE	[P0B40:1: {1.0}(R104)]	*NOT available in DP
84	3.0000	PC			RESISTOR;METAL;100Kohm;1%;0W5;LEAD WIRE;HORIZONTAL 52-6mm	[P0B40:1: {3.0}(R199,R208,R232)]	*NOT available in DP
85	2.0000	PC			RESISTOR;METAL;47Kohm;5%;2W;LEAD WIRE;F-TYPE	[P0B40:1: {2.0}(R222-R223)]	*NOT available in DP
86	1.0000	PC			RESISTOR;CEMENT;3Kohm3;5%;2W;LEAD WIRE;RADIAL;PITCH:5mm;PRECUT:3mm1+/-0mm5	[P0B40:1: {1.0}(R237)]	*NOT available in DP
87	3.0000	PC			RESISTOR;CEMENT;220ohm;5%;5W;LEAD WIRE;RADIAL;PITCH:5mm;PRECUT:3mm1+/-0mm5	[P0B40:1: {3.0}(R174-R175,R214)]	*NOT available in DP

	Quantity	Unit	S.Sku	M.Sku	Description	Reference Designators	Notes
88	2.0000	PC			RESISTOR;CEMENT;1Kohm50;5%;5W;LEAD WIRE;RADIAL;PITCH:5mm;PRECUT:3mm1+/-0mm5	[P0B40:1: {2.0}(R235-R236)]	*NOT available in DP

Potentiometer

	Quantity	Unit	S.Sku	M.Sku	Description	Reference Designators	Notes
1	2.0000	PC		I03-00000-91676	POTENTIOMETER;20 kohm;0.050W;TAPER:15A;20 %;MONO;F-SHAFT:15MM;ANGLED;NO NUT AND WASHER;80-150GF;HHTORQUE;SOUNDWELL	[P0B40:1: {2.0}(VR1-VR4)]	
2	2.0000	PC		I03-00000-91679	POTENTIOMETER;2 kohm;TAPER:1B;20 %;MONO;F-SHAFT:15MM;ANGLED;NO NUT AND WASHER;80-150GF;HHTORQUE;SOUNDWELL	[P0B40:1: {2.0}(VR6-VR7)]	
3	1.0000	PC		I03-00000-91680	POTENTIOMETER;50 kohm;0.050W;TAPER:15C;20 %;STEREO;F-SHAFT:15MM;ANGLED;NO NUT AND WASHER;80-150GF;HHTORQUE;SOUNDWELL	[P0B40:1: {1.0}(VR8)]	
4	2.0000	PC	Y03-00001-02592	I03-00001-02592	POTENTIOMETER;20 kohm;TAPER:1B;20 %;MONO;W/O CC;BULK;F-SHAFT:15MM;ANGLED;80-150GF;HHTORQUE;NO NUT AND WASHER;SOUNDWELL	[P0B40:1: {2.0}(VR9-VR10)]	
5	1.0000	PC		I03-00001-02593	POTENTIOMETER;50 kohm;TAPER:3B;20 %;MONO;W/O CC;BULK;F-SHAFT:15MM;ANGLED;80-150GF;HHTORQUE;NO NUT AND WASHER;SOUNDWELL	[P0B40:1: {1.0}(VR2)]	
6	1.0000	PC		I03-00001-07557	POTENTIOMETER;100 kohm;TAPER:15A;20 %;MONO;F-SHAFT:15MM;ANGLED;W/O CC;80-150GF;HHT;SW;NO NUT AND WASHER	[P0B40:1: {1.0}(VR5)]	
7	1.0000	PC		I03-00001-07560	POTENTIOMETER;250 kohm;TAPER:15A;20 %;MONO;F-SHAFT:15MM;ANGLED;W/O CC;80-150GF;HHT;SW;NO NUT AND WASHER	[P0B40:1: {1.0}(VR3)]	

Switch

	Quantity	Unit	S.Sku	M.Sku	Description	Reference Designators	Notes
1	2.0000	PC	Y77-03422-02778	I77-03422-02778	SWITCH;RADIAL;2P2T;PCB VERSION;LOCKING;NONSHORT;RAD2P	[P0B40:2: {2.0}(SW1-SW2)]	
2	1.0000	PC	Y82-00822-04267	I82-00822-04267	SWITCH;PUSH;2P2T;PCB VERSION COMAX PB-22D01-F NS;NONLOCKING;NONSHORT	[P0B40:1: {1.0}(SW1)]	
3	1.0000	PC	Y86-00323-04226	I86-00323-04226	SWITCH;SLIDE;POLES:2;TOGGLES:3;LOCKING;SHORTING;PCB VERSION;DONGGUAN WEILI SS-23H49-G6	[P0B40:2: {1.0}(SW3)]	
4	2.0000	PC	Y87-43811-03768	I87-43811-03768	SWITCH;TACTILE;POLES:1;HEIGHT:4mm3;PCB VERSION;NONLOCK;NONSHORT	[P0A5I:00: {2.0}(SW1-SW2)]	
5	2.0000	PC	Y90-02211-03087	I90-02211-03087	SWITCH;TOGGLE;TOGGLES:1;POLE:1;LOCKING; NONSHORT; SOLDER LUG;ARCO C3900BAAAB		

Transistor

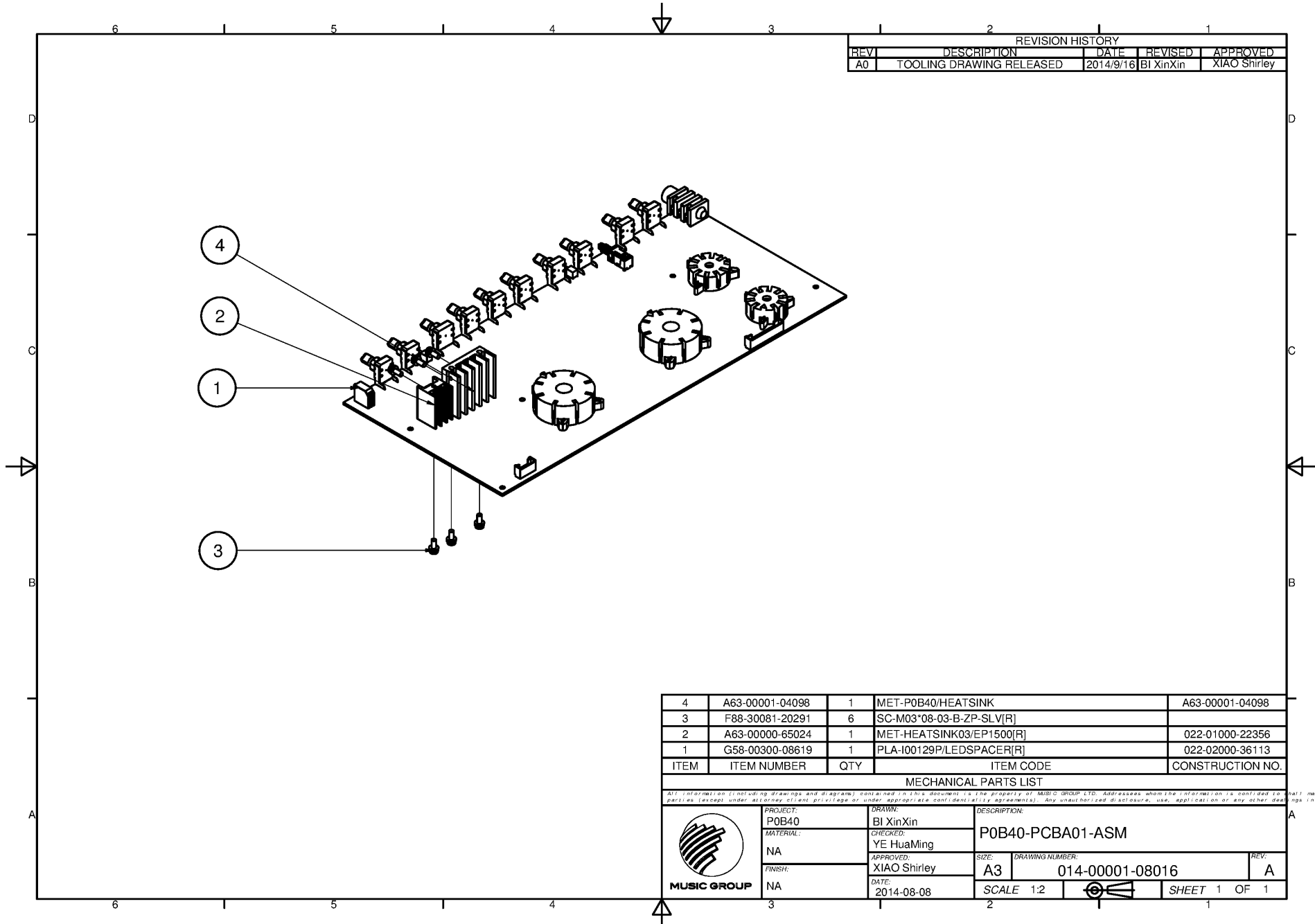
	Quantity	Unit	S.Sku	M.Sku	Description	Reference Designators	Notes
1	1.0000	PC			TRANSISTOR;2SC3326B;SOT	[P0B40:1: {1.0}(T2)]	*NOT available in DP
2	2.0000	PC			TRANSISTOR;FET;600V;SPP04N60C3;TO220	[P0B40:1: {2.0}(T18-T19)]	*NOT available in DP
3	2.0000	PC			TRANSISTOR;BC846B;SOT;SMD	[P0B40:1: {2.0}(T13,T16)]	*NOT available in DP
4	4.0000	PC			TRANSISTOR;BC856B;SOT;SMD	[P0B40:1: {4.0}(T10,T14-T15,T17)]	*NOT available in DP
5	2.0000	PC			TRANSISTOR;MBTA92;SOT	[P0B40:1: {2.0}(T8-T9)]	*NOT available in DP
6	6.0000	PC			TRANSISTOR;MMBFJ175;SOT23	[P0B40:1: {6.0}(T1,T3-T6,T12)]	*NOT available in DP

Cover

	Quantity	Unit	S.Sku	M.Sku	Description	Reference Designators	Notes
1	0.7000	YD		J11-30000-05973	ARTIFICIAL LEATHER;RX-1229-LB;THICKNESS:0.8mm;WIDTH:1380mm;COLOR:BLACK		

Vacuum Tube

	Quantity	Unit	S.Sku	M.Sku	Description	Reference Designators	Notes
1	2.0000	PC	Z83-69013-47108	J83-69013-47108	TUBE,PENTODE;EL34;SHUGUANG		
2	2.0000	PC		J83-69013-48008	TUBE,PENTODE;EL34;SHUGUANG;NO ARTWORK		
3	2.0000	PC	Z84-17012-78009	J84-17012-78009	TUBE,DOUBLE TRIODE;12AX7;SHUGUANG;NO ARTWORK		
4	2.0000	PC		J84-68008-47109	TUBE,DOUBLE TRIODE;ECC83A;SHUGUANG		



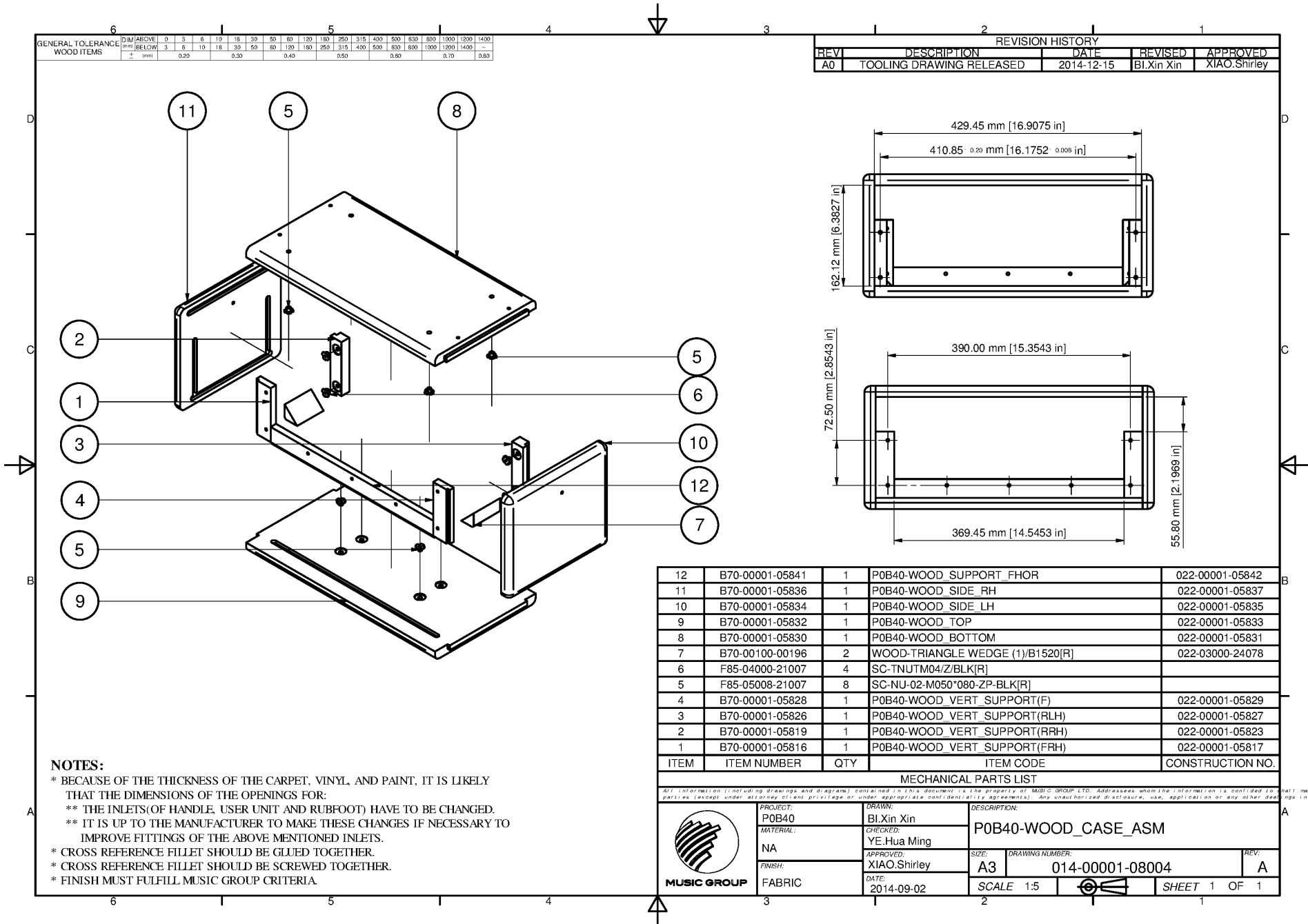
REVISION HISTORY				
REV	DESCRIPTION	DATE	REVISED	APPROVED
A0	TOOLING DRAWING RELEASED	2014/9/16	BI XinXin	XIAO Shirley

4	A63-00001-04098	1	MET-P0B40/HEATSINK	A63-00001-04098
3	F88-30081-20291	6	SC-M03*08-03-B-ZP-SLV[R]	
2	A63-00000-65024	1	MET-HEATSINK03/EP1500[R]	022-01000-22356
1	G58-00300-08619	1	PLA-100129P/LEDSPACER[R]	022-02000-36113
ITEM	ITEM NUMBER	QTY	ITEM CODE	CONSTRUCTION NO.

MECHANICAL PARTS LIST

All information (including drawings and diagrams) contained in this document is the property of MUSIC GROUP LTD. Addressee whom the information is confided to shall not disclose the same to any third party (except under attorney-client privilege or under appropriate confidentiality agreements). Any unauthorized disclosure, use, application or any other dealing in this information is strictly prohibited.

	PROJECT:	POB40	DRAWN:		BI XinXin	DESCRIPTION:		P0B40-PCBA01-ASM	
	MATERIAL:	NA	CHECKED:		YE HuaMing	SIZE:	A3	DRAWING NUMBER:	014-00001-08016
	FINISH:	NA	APPROVED:		XIAO Shirley	SCALE:	1:2	REV:	A
		DATE:	2014-08-08					SHEET	1 OF 1



NOTES:

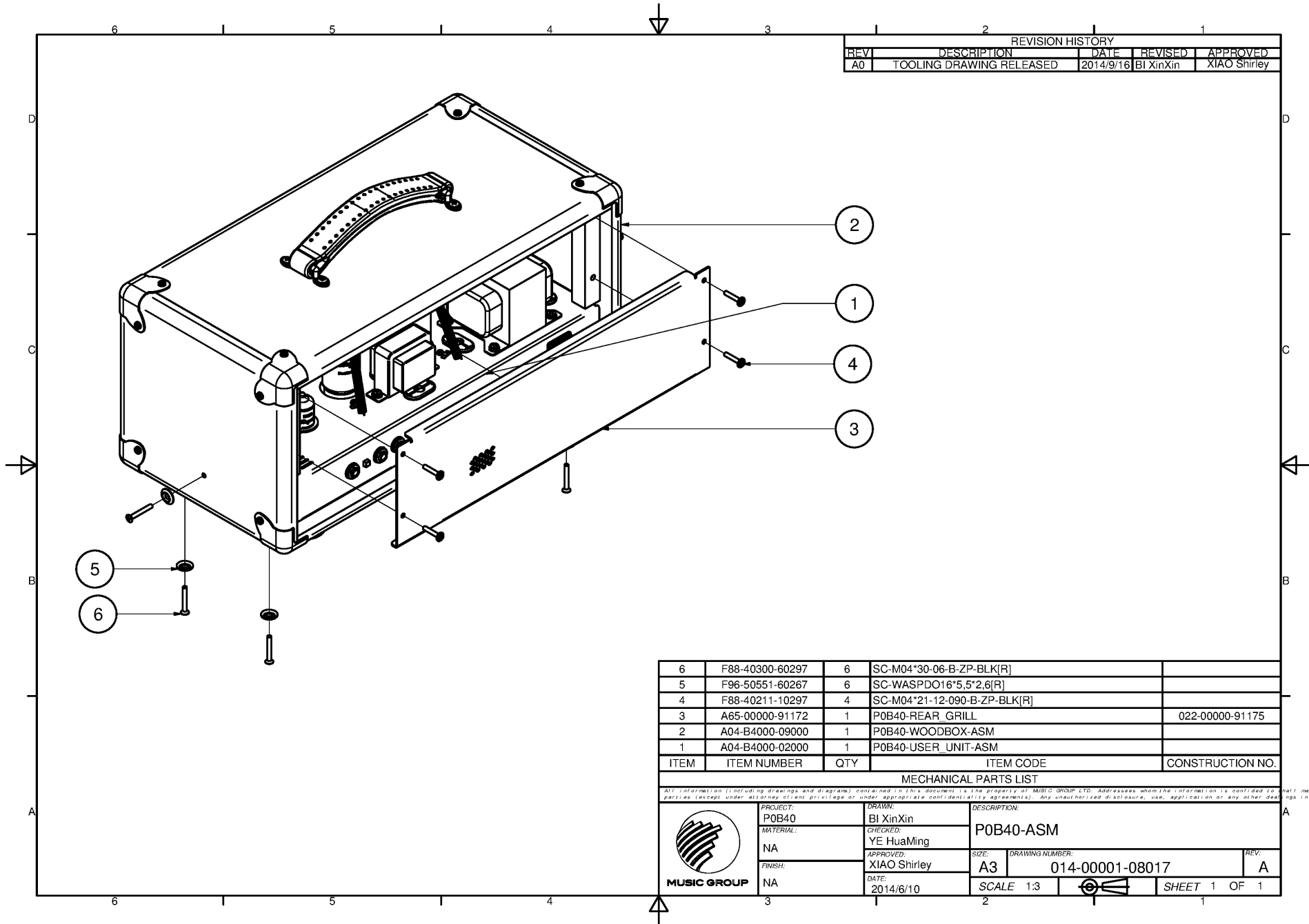
- * BECAUSE OF THE THICKNESS OF THE CARPET, VINYL, AND PAINT, IT IS LIKELY THAT THE DIMENSIONS OF THE OPENINGS FOR:
- ** THE INLETS (OF HANDLE, USER UNIT AND RUBFOOT) HAVE TO BE CHANGED.
- ** IT IS UP TO THE MANUFACTURER TO MAKE THESE CHANGES IF NECESSARY TO IMPROVE FITTINGS OF THE ABOVE MENTIONED INLETS.
- * CROSS REFERENCE FILLET SHOULD BE GLUED TOGETHER.
- * CROSS REFERENCE FILLET SHOULD BE SCREWED TOGETHER.
- * FINISH MUST FULFILL MUSIC GROUP CRITERIA.

ITEM	ITEM NUMBER	QTY	ITEM CODE	CONSTRUCTION NO.
12	B70-00001-05841	1	P0B40-WOOD_SUPPORT_FHOR	022-00001-05842
11	B70-00001-05836	1	P0B40-WOOD_SIDE_RH	022-00001-05837
10	B70-00001-05834	1	P0B40-WOOD_SIDE_LH	022-00001-05835
9	B70-00001-05832	1	P0B40-WOOD_TOP	022-00001-05833
8	B70-00001-05830	1	P0B40-WOOD_BOTTOM	022-00001-05831
7	B70-00100-00196	2	WOOD-TRIANGLE WEDGE (1)/B1520[R]	022-03000-24078
6	F85-04000-21007	4	SC-TNUTM04/Z/BLK[R]	
5	F85-05008-21007	8	SC-NU-02-M050*080-ZP-BLK[R]	
4	B70-00001-05828	1	P0B40-WOOD_VERT_SUPPORT(F)	022-00001-05829
3	B70-00001-05826	1	P0B40-WOOD_VERT_SUPPORT(RLH)	022-00001-05827
2	B70-00001-05819	1	P0B40-WOOD_VERT_SUPPORT(RRH)	022-00001-05823
1	B70-00001-05816	1	P0B40-WOOD_VERT_SUPPORT(FRH)	022-00001-05817

MECHANICAL PARTS LIST

All information (including drawings and diagrams) contained in this document is the property of MUSIC GROUP LTD. Addresses whom the information is confined to shall not be disclosed to any other party (except under attorney-client privilege or under appropriate confidentiality agreements). Any unauthorized disclosure, use, application or any other dealings in this information is strictly prohibited.

	PROJECT:	POB40	DRAWN:	BI.Xin Xin	DESCRIPTION:	P0B40-WOOD_CASE_ASM		
	MATERIAL:	NA	CHECKED:	YE.Hua Ming	SIZE:	A3	DRAWING NUMBER:	014-00001-08004
	FINISH:	FABRIC	APPROVED:	XIAO.Shirley	DATE:	2014-09-02	SCALE:	1:5
								SHEET 1 OF 1



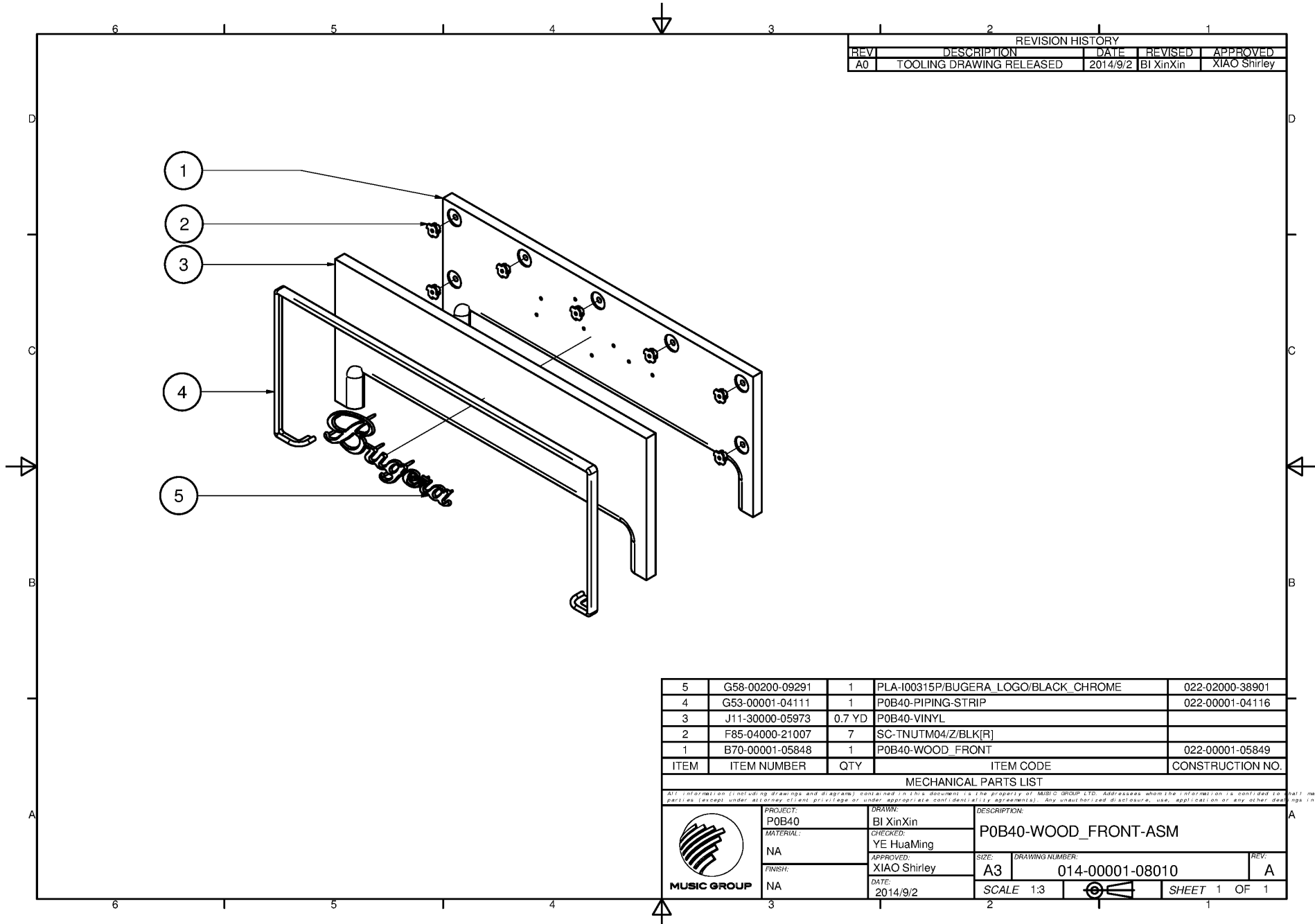
REVISION HISTORY				
REV	DESCRIPTION	DATE	REVISED	APPROVED
A0	TOOLING DRAWING RELEASED	2014/9/16	BI XinXin	XIAO Shirley

6	F88-40300-60297	6	SC-M04*30-06-B-ZP-BLK[R]	
5	F96-50551-60267	6	SC-WASPDO16*5,5*2,6[R]	
4	F88-40211-10297	4	SC-M04*21-12-090-B-ZP-BLK[R]	
3	A65-00000-91172	1	P0B40-REAR GRILL	022-00000-91175
2	A04-B4000-09000	1	P0B40-WOODBOX-ASM	
1	A04-B4000-02000	1	P0B40-USER_UNIT-ASM	
ITEM	ITEM NUMBER	QTY	ITEM CODE	CONSTRUCTION NO.

MECHANICAL PARTS LIST

All information (including drawings and diagrams) contained in this document is the property of MUSIC GROUP LTD. Addressees whom the information is confided to shall not disclose the same to any third party (except under attorney-client privilege or under appropriate confidentiality agreements). Any unauthorized disclosure, use, application or any other dealings in this information is strictly prohibited.

	PROJECT:	POB40	DRAWN:	BI XinXin	DESCRIPTION:	P0B40-ASM		
	MATERIAL:	NA	CHECKED:	YE HuaMing	SIZE:	A3	REV:	A
	FINISH:	NA	APPROVED:	XIAO Shirley	DRAWING NUMBER:	014-00001-08017		
	DATE:	2014/6/10	SCALE:	1:3	SHEET 1 OF 1			



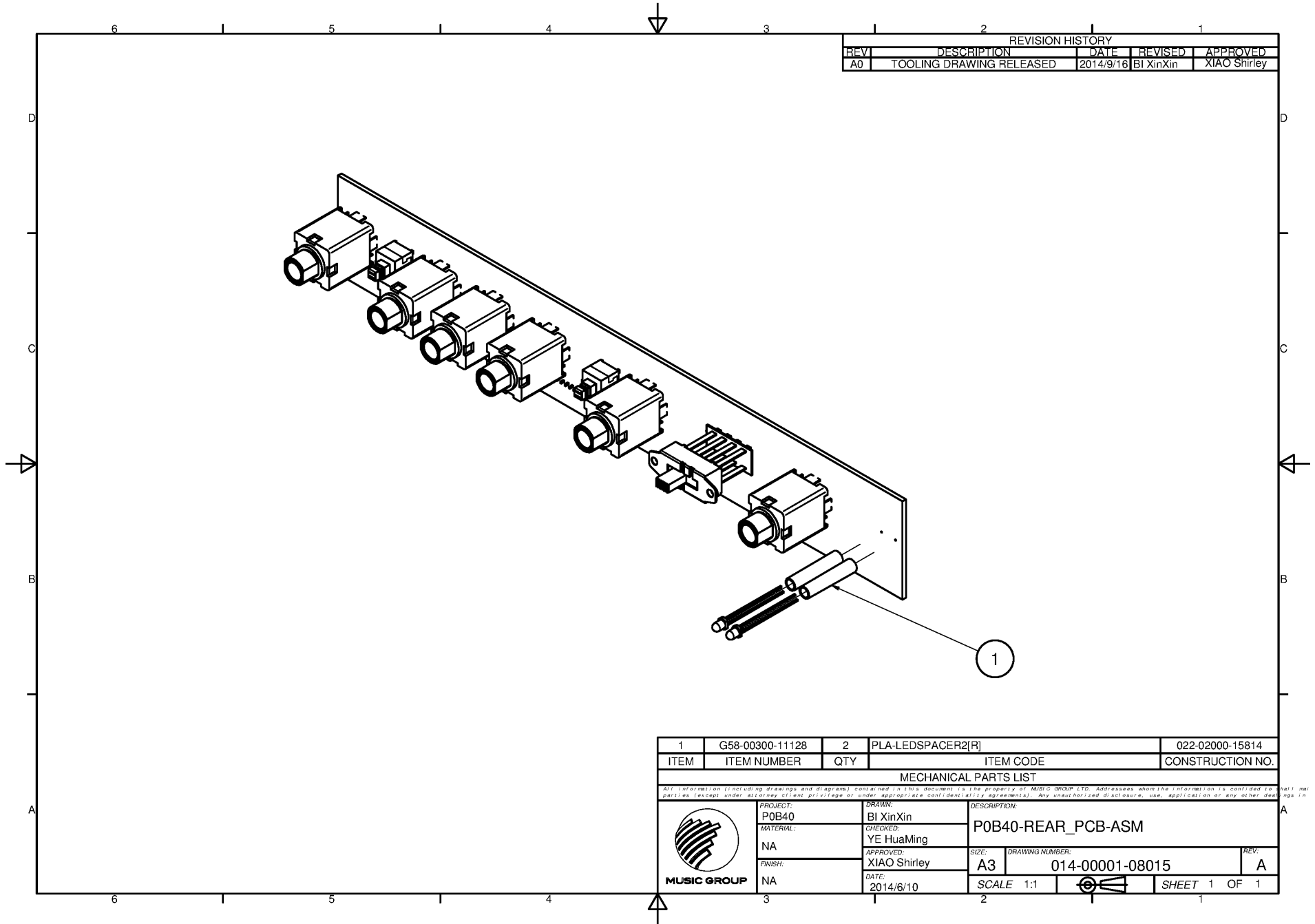
REVISION HISTORY				
REV	DESCRIPTION	DATE	REVISED	APPROVED
A0	TOOLING DRAWING RELEASED	2014/9/2	BI XinXin	XIAO Shirley

5	G58-00200-09291	1	PLA-100315P/BUGERA LOGO/BLACK_CHROME	022-02000-38901
4	G53-00001-04111	1	P0B40-PIPING-STRIP	022-00001-04116
3	J11-30000-05973	0.7 YD	P0B40-VINYL	
2	F85-04000-21007	7	SC-TNUTM04/Z/BLK[R]	
1	B70-00001-05848	1	P0B40-WOOD_FRONT	022-00001-05849
ITEM	ITEM NUMBER	QTY	ITEM CODE	CONSTRUCTION NO.

MECHANICAL PARTS LIST

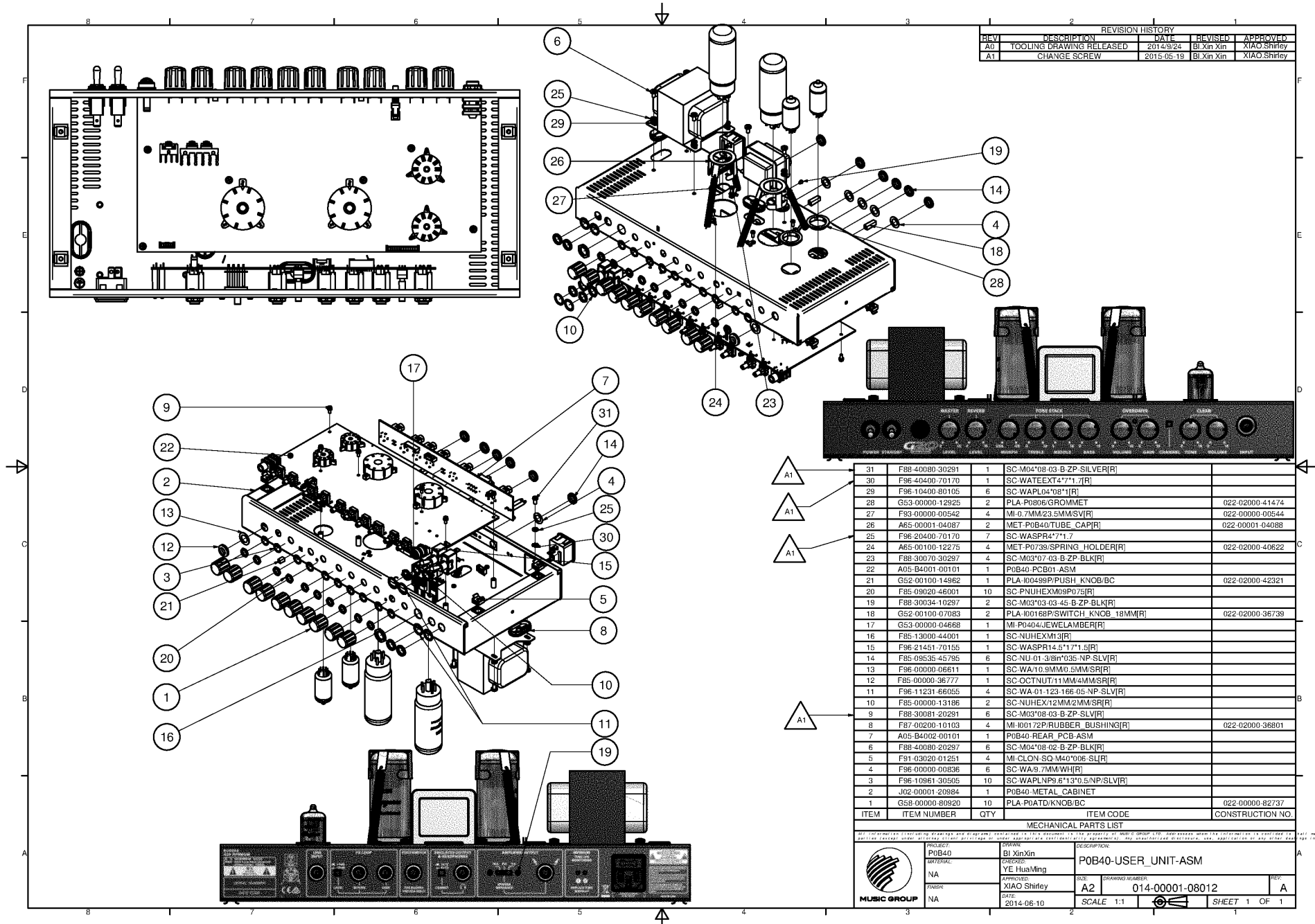
All information (including drawings and diagrams) contained in this document is the property of MUSIC GROUP LTD. Addressee whom the information is confided to shall not disclose the same to any third party (except under attorney-client privilege or under appropriate confidentiality agreements). Any unauthorized disclosure, use, application or any other dealings in this information is strictly prohibited.

	PROJECT:	POB40	DRAWN:	BI XinXin	DESCRIPTION:		P0B40-WOOD_FRONT-ASM			
	MATERIAL:	NA	CHECKED:	YE HuaMing						
	FINISH:	NA	APPROVED:	XIAO Shirley	SIZE:	A3	DRAWING NUMBER:	014-00001-08010	REV:	A
	DATE:	2014/9/2	SCALE:	1:3			SHEET:	1 OF 1		



REVISION HISTORY				
REV	DESCRIPTION	DATE	REVISED	APPROVED
A0	TOOLING DRAWING RELEASED	2014/9/16	BI XinXin	XIAO Shirley

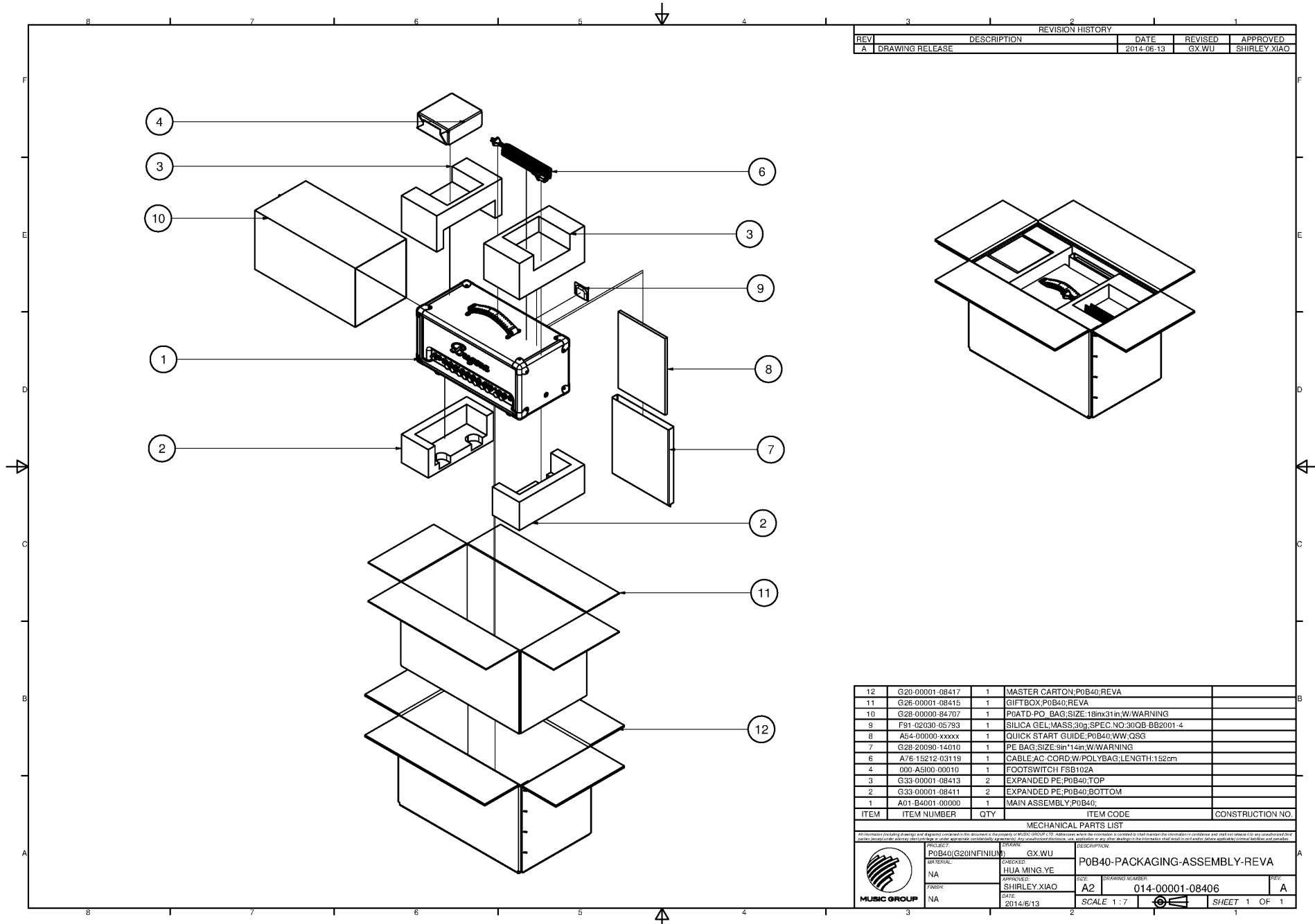
1	G58-00300-11128	2	PLA-LEDSPACER2[R]	022-02000-15814
ITEM	ITEM NUMBER	QTY	ITEM CODE	CONSTRUCTION NO.
MECHANICAL PARTS LIST				
<small>All information (including drawings and diagrams) contained in this document is the property of MUSIC GROUP LTD. Addressee whom the information is confided to shall not disclose the same to any third party (except under attorney-client privilege or under appropriate confidentiality agreements). Any unauthorized disclosure, use, application or any other dealings in this information is strictly prohibited.</small>				
	PROJECT:	POB40	DRAWN:	BI XinXin
	MATERIAL:	NA	CHECKED:	YE HuaMing
	FINISH:	NA	APPROVED:	XIAO Shirley
		NA	DATE:	2014/6/10
		DESCRIPTION:	POB40-REAR_PCB-ASM	
		SIZE:	DRAWING NUMBER:	REV:
		A3	014-00001-08015	A
		SCALE 1:1		
		SHEET 1 OF 1		



REVISION HISTORY				
REV	DESCRIPTION	DATE	REVISED BY	APPROVED BY
A0	TOOLING DRAWING RELEASED	2014/9/24	Bl.Xin.Xin	XIAO.Shirley
A1	CHANGE SCREW	2015-05-19	Bl.Xin.Xin	XIAO.Shirley

ITEM	ITEM NUMBER	QTY	ITEM CODE	CONSTRUCTION NO.
A1	31	1	SC-M04*08-03-B-ZP-SILVER[R]	
	30	1	SC-WATEXT4*7*1.7[R]	
	29	6	SC-WAPL04*08*1[R]	
	28	2	PLA-P0806/GROMMET	022-02000-41474
	27	4	MI-0.7MM/23.5MM/SV[R]	022-00000-00544
	26	2	MET-P0B40/TUBE_CAP[R]	022-00001-04088
	25	7	SC-WASPR4*7*1.7	
	24	4	MET-P0739/SPRING HOLDER[R]	022-02000-40622
	23	4	SC-M03*07-03-B-ZP-BLK[R]	
	22	1	P0B40_PCB01_ASM	
	21	1	PLA-I00499P/PUSH_KNOB/BC	022-02000-42321
	20	10	SC-PNUHEXM09P075[R]	
	19	2	SC-M03*03-03-45-B-ZP-BLK[R]	
	18	2	PLA-I00168P/SWITCH_KNOB_18MM[R]	022-02000-36739
	17	1	MI-P0404/JEWELAMBER[R]	
	16	1	SC-NUHEXM13[R]	
	15	1	SC-WASPR14.5*1*7*1.5[R]	
	14	6	SC-NU-01-38in*035-NP-SLV[R]	
	13	1	SC-WA10.9MM/0.5MM/SR[R]	
	12	1	SC-OCTNUT/11MM/4MM/SR[R]	
	11	4	SC-WA-01-123-166-05-NP-SLV[R]	
	10	2	SC-NUHEX/12MM/2MM/SR[R]	
	9	6	SC-M03*08-03-B-ZP-SLV[R]	
	8	4	MI-I00172P/RUBBER_BUSHING[R]	022-02000-36801
	7	1	P0B40-REAR_PCB-ASM	
	6	6	SC-M04*08-02-B-ZP-BLK[R]	
	5	4	MI-CLON-SQ-M40*006-SLV[R]	
	4	6	SC-WA9.7MM/WH[R]	
	3	10	SC-WAPLNP9.6*13*0.5/NP-SLV[R]	
	2	1	P0B40-METAL_CABINET	
	1	10	PLA-P0ATD/KNOB/BC	022-00000-82737

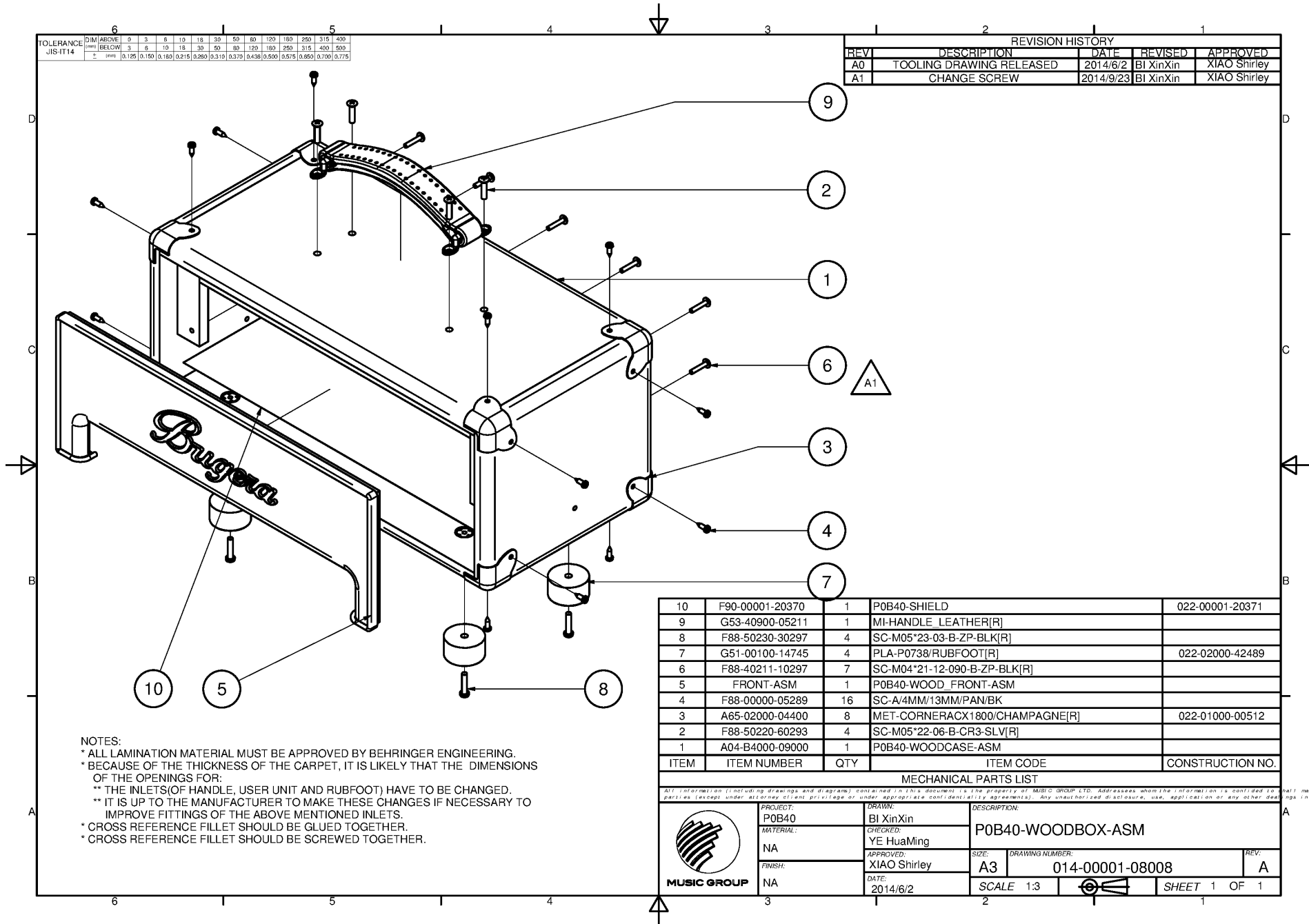
MECHANICAL PARTS LIST			
PROJECT:	P0B40	DESIGNER:	Bl.Xin.Xin
CHECKER:	YE HuaMing	DATE:	2014-06-10
APPROVED:	XIAO Shirley	SCALE:	1:1
DESCRIPTION:	P0B40-USER_UNIT-ASM		
SIZE:	A2	DRAWING NUMBER:	014-00001-08012
REV:	A	SHEET:	1 OF 1



REVISION HISTORY				
REV	DESCRIPTION	DATE	REVISED	APPROVED
A	DRAWING RELEASE	2014-06-13	GX.WU	SHIRLEY.XIAO

ITEM	ITEM NUMBER	QTY	ITEM CODE	CONSTRUCTION NO.
12	G20-0001-08417	1	MASTER CARTON;P0B40;REVA	
11	G26-0001-08415	1	GIFTBOX;P0B40;REVA	
10	G28-0000-84707	1	P0ATD-PO BAG;SIZE:18mx31in;W/WARNING	
9	F91-02030-05793	1	SILICA GEL;MASS:30g;SPEC.NO:30QB-BB2001-4	
8	A54-0000-xxxxx	1	QUICK START GUIDE;P0B40;WW_QSG	
7	G28-20090-14010	1	PE BAG;SIZE:9in*14in;W/WARNING	
6	A76-15212-03119	1	CABLE;AC_CORD;W/POLYBAG;LENGTH:152cm	
4	000-A5100-00010	1	FOOTSWITCH FSB102A	
3	G33-0001-08413	2	EXPANDED PE;P0B40;TOP	
2	G33-0001-08411	2	EXPANDED PE;P0B40;BOTTOM	
1	A01-B4001-00000	1	MAIN ASSEMBLY;P0B40;	

MECHANICAL PARTS LIST			
PROJECT: P0B40(G20INFINIUM)	DRAWN: GX.WU	DESCRIPTION: P0B40-PACKAGING-ASSEMBLY-REVA	
MATERIAL: NA	CHECKED: HUA MING.YE	SIZE: A2	DRAWING NUMBER: 014-0001-08406
APPROVED: SHIRLEY.XIAO	DATE: 2014/6/13	SCALE: 1:1.7	SHEET 1 OF 1



TOLERANCE		JIS-IT14															
DIM	ARCHIVE	0	3	6	10	18	30	50	80	120	180	250	315	400	500		
	BELOW	3	6	10	18	30	50	80	120	180	250	315	400	500			
	±	(mm)	0.125	0.150	0.180	0.215	0.280	0.310	0.370	0.438	0.500	0.575	0.650	0.700	0.775		

REVISION HISTORY				
REV	DESCRIPTION	DATE	REVISED	APPROVED
A0	TOOLING DRAWING RELEASED	2014/6/2	BI XinXin	XIAO Shirley
A1	CHANGE SCREW	2014/9/23	BI XinXin	XIAO Shirley

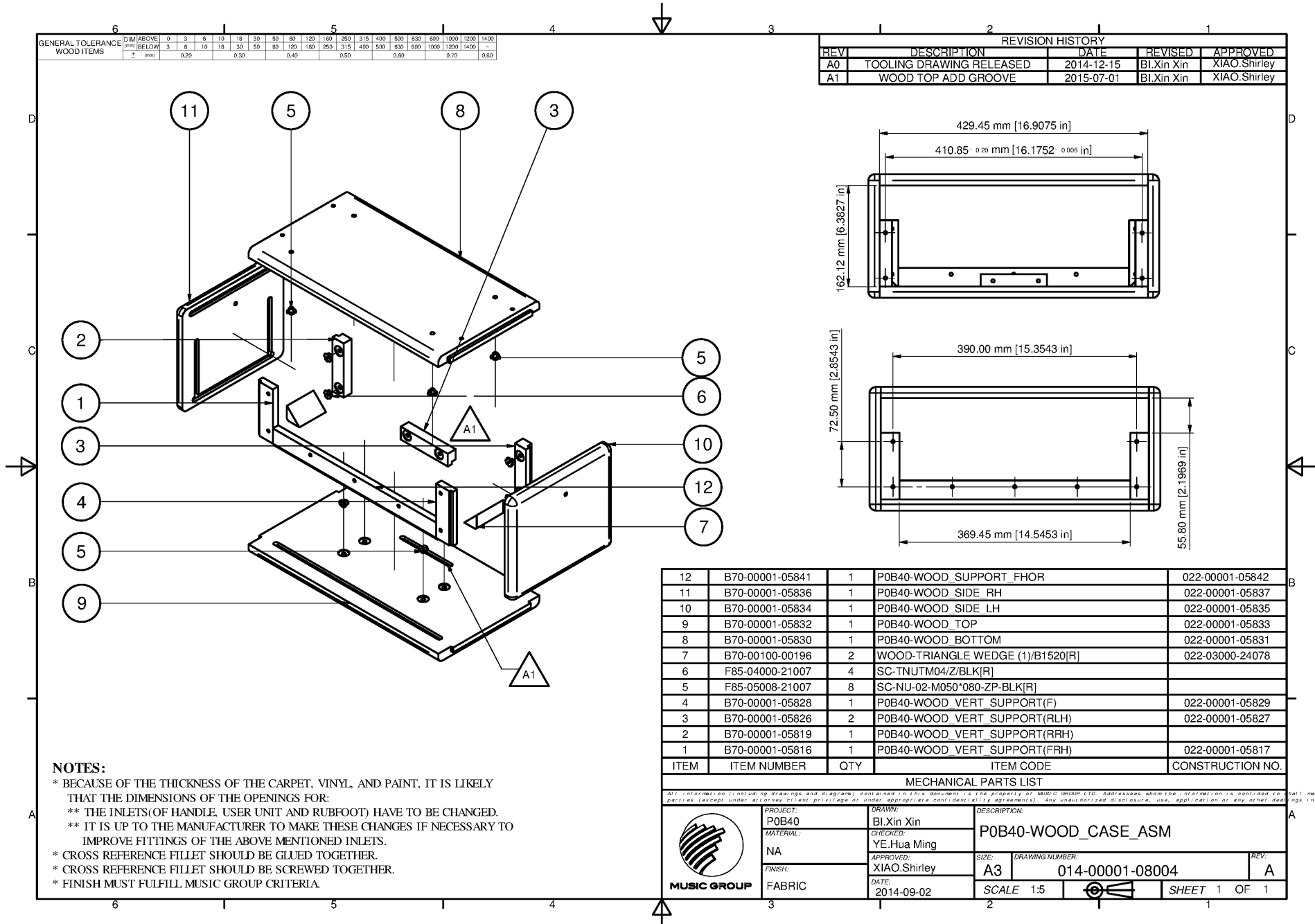
ITEM	ITEM NUMBER	QTY	ITEM CODE	CONSTRUCTION NO.
10	F90-00001-20370	1	POB40-SHIELD	022-00001-20371
9	G53-40900-05211	1	M1-HANDLE LEATHER[R]	
8	F88-50230-30297	4	SC-M05*23-03-B-ZP-BLK[R]	
7	G51-00100-14745	4	PLA-P0738/RUBFOOT[R]	022-02000-42489
6	F88-40211-10297	7	SC-M04*21-12-090-B-ZP-BLK[R]	
5	FRONT-ASM	1	POB40-WOOD_FRONT-ASM	
4	F88-00000-05289	16	SC-A/4MM/13MM/PAN/BK	
3	A65-02000-04400	8	MET-CORNERACX1800/CHAMPAGNE[R]	022-01000-00512
2	F88-50220-60293	4	SC-M05*22-06-B-CR3-SLV[R]	
1	A04-B4000-09000	1	POB40-WOODCASE-ASM	

MECHANICAL PARTS LIST

All information (including drawings and diagrams) contained in this document is the property of MUSIC GROUP LTD. Addresses whom the information is confined to shall not be parties (except under attorney-client privilege or under appropriate confidentiality agreements). Any unauthorized disclosure, use, application or any other dealings in

- NOTES:
- * ALL LAMINATION MATERIAL MUST BE APPROVED BY BEHRINGER ENGINEERING.
 - * BECAUSE OF THE THICKNESS OF THE CARPET, IT IS LIKELY THAT THE DIMENSIONS OF THE OPENINGS FOR:
 - ** THE INLETS(OF HANDLE, USER UNIT AND RUBFOOT) HAVE TO BE CHANGED.
 - ** IT IS UP TO THE MANUFACTURER TO MAKE THESE CHANGES IF NECESSARY TO IMPROVE FITTINGS OF THE ABOVE MENTIONED INLETS.
 - * CROSS REFERENCE FILLET SHOULD BE GLUED TOGETHER.
 - * CROSS REFERENCE FILLET SHOULD BE SCREWED TOGETHER.

	PROJECT:	POB40	DRAWN:	BI XinXin	DESCRIPTION:	
	MATERIAL:	NA	CHECKED:	YE HuaMing	POB40-WOODBOX-ASM	
	FINISH:	NA	APPROVED:	XIAO Shirley	SIZE:	A3
	DATE:	2014/6/2	DRAWING NUMBER:	014-00001-08008	REV:	A
			SCALE:	1:3	SHEET 1 OF 1	



GENERAL TOLERANCE		DIMENSION																																					
		0		3		6		10		18		30		50		80		120		180		250		315		400		500		630		800		1000		1200		1400	
		±		±		±		±		±		±		±		±		±		±		±		±		±		±		±		±		±		±			
WOOD ITEMS		±		±		±		±		±		±		±		±		±		±		±		±		±		±		±		±		±		±			
		0.20		0.30		0.40		0.50		0.60		0.70		0.80																									

REVISION HISTORY				
REV	DESCRIPTION	DATE	REVISED	APPROVED
A0	TOOLING DRAWING RELEASED	2014-12-15	Bl.Xin Xin	XIAO.Shirley
A1	WOOD TOP ADD GROOVE	2015-07-01	Bl.Xin Xin	XIAO.Shirley

- NOTES:**
- * BECAUSE OF THE THICKNESS OF THE CARPET, VINYL, AND PAINT, IT IS LIKELY THAT THE DIMENSIONS OF THE OPENINGS FOR:
 - ** THE INLETS (OF HANDLE, USER UNIT AND RUBFOOT) HAVE TO BE CHANGED.
 - ** IT IS UP TO THE MANUFACTURER TO MAKE THESE CHANGES IF NECESSARY TO IMPROVE FITTINGS OF THE ABOVE MENTIONED INLETS.
 - * CROSS REFERENCE FILLET SHOULD BE GLUED TOGETHER.
 - * CROSS REFERENCE FILLET SHOULD BE SCREWED TOGETHER.
 - * FINISH MUST FULFILL MUSIC GROUP CRITERIA.

ITEM	ITEM NUMBER	QTY	ITEM CODE	CONSTRUCTION NO.
12	B70-00001-05841	1	P0B40-WOOD_SUPPORT_FHOR	022-00001-05842
11	B70-00001-05836	1	P0B40-WOOD_SIDE_RH	022-00001-05837
10	B70-00001-05834	1	P0B40-WOOD_SIDE_LH	022-00001-05835
9	B70-00001-05832	1	P0B40-WOOD_TOP	022-00001-05833
8	B70-00001-05830	1	P0B40-WOOD_BOTTOM	022-00001-05831
7	B70-00100-00196	2	WOOD-TRIANGLE WEDGE (1)/B1520[R]	022-03000-24078
6	F85-04000-21007	4	SC-TNUTM04/Z/BLK[R]	
5	F85-05008-21007	8	SC-NU-02-M050*080-ZP-BLK[R]	
4	B70-00001-05828	1	P0B40-WOOD_VERT_SUPPORT(F)	022-00001-05829
3	B70-00001-05826	2	P0B40-WOOD_VERT_SUPPORT(RLH)	022-00001-05827
2	B70-00001-05819	1	P0B40-WOOD_VERT_SUPPORT(RRH)	
1	B70-00001-05816	1	P0B40-WOOD_VERT_SUPPORT(FRH)	022-00001-05817

All information (including drawings and diagrams) contained in this document is the property of MUSIC GROUP LTD. Addresses whom the information is confined to shall not be parties (except under attorney-client privilege or under appropriate confidentiality agreements). Any unauthorized disclosure, use, application or any other dealings in

MECHANICAL PARTS LIST				
PROJECT:	DRAWN:	DESCRIPTION:		
P0B40	Bl.Xin Xin	P0B40-WOOD_CASE_ASM		
MATERIAL:	CHECKED:	SIZE:	DRAWING NUMBER:	REV:
NA	YE.Hua Ming	A3	014-00001-08004	A
FINISH:	APPROVED:	SCALE		
FABRIC	XIAO.Shirley	1:5		
		DATE:		
		2014-09-02		
		SHEET		1 OF 1

Bugera