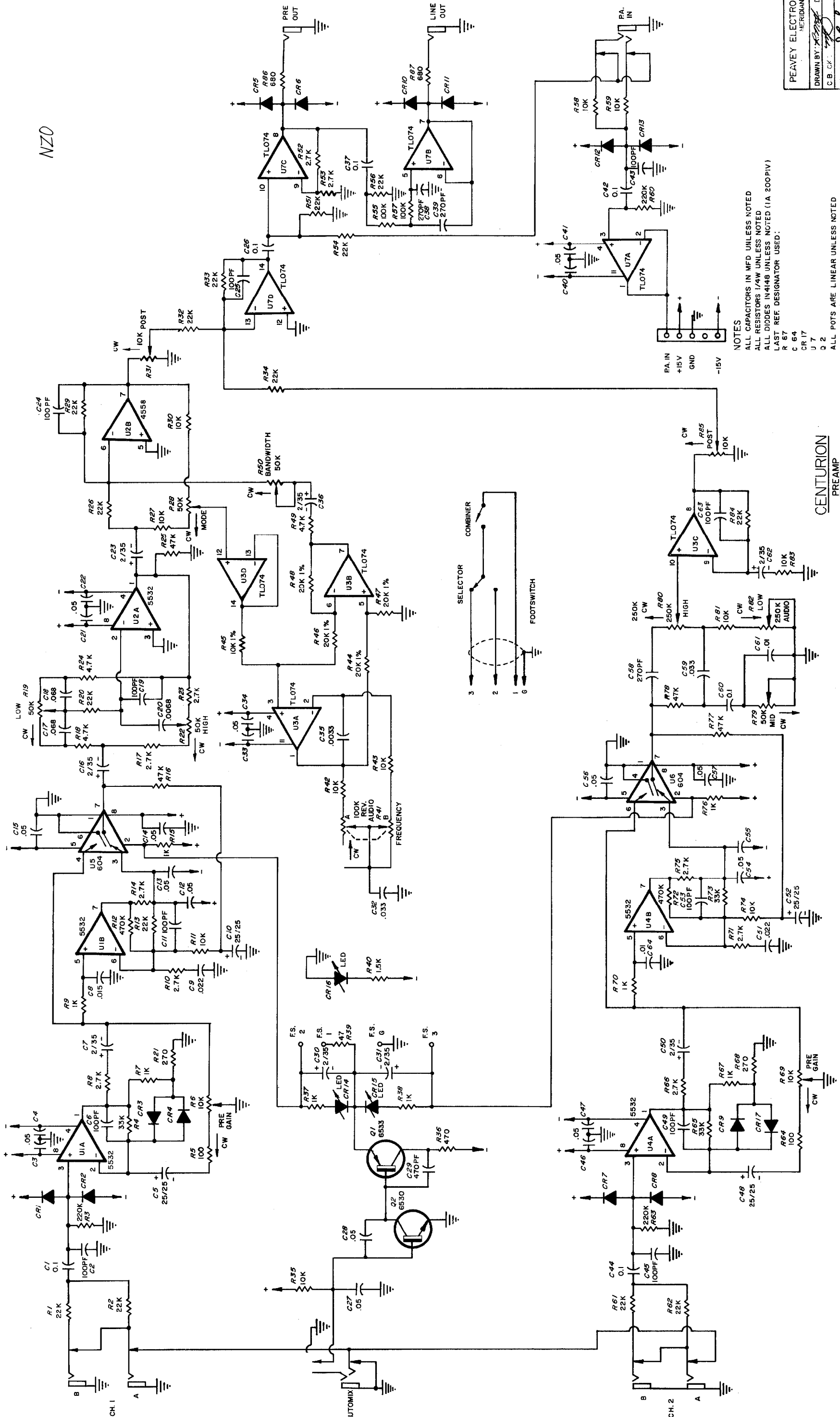


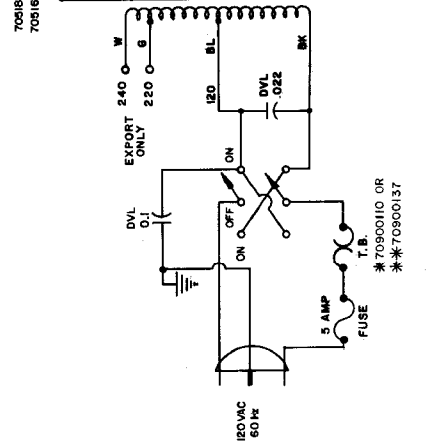
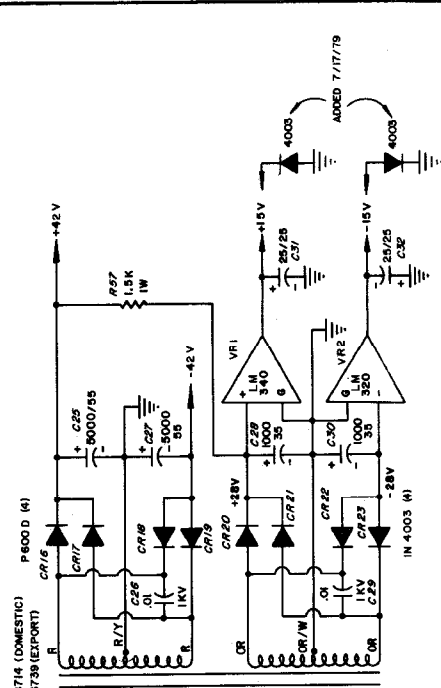
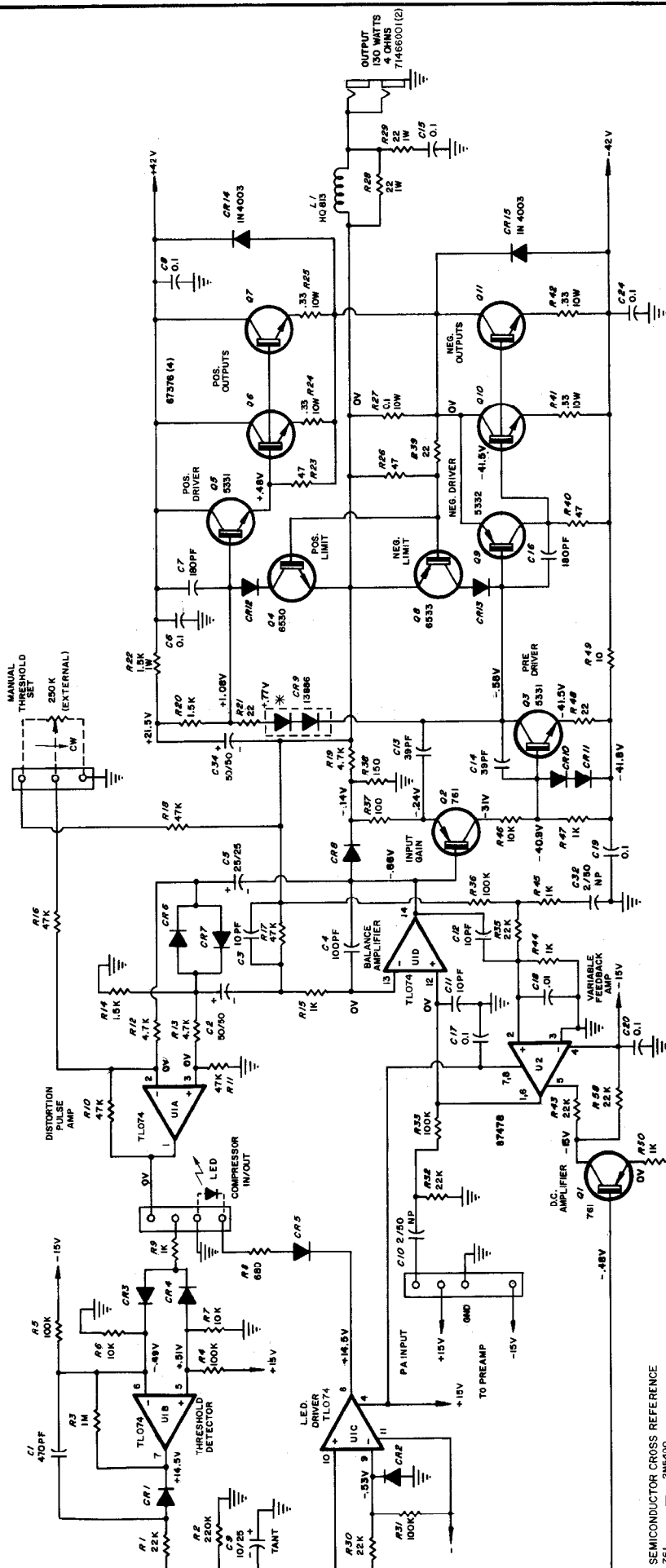
NZO



NOTES
 ALL CAPACITORS IN MFD UNLESS NOTED
 ALL RESISTORS IN Ω UNLESS NOTED
 ALL DIODES IN 4148 UNLESS NOTED (1A 200 PIV)
 LAST REF. DESIGNATOR USED:
 R 87
 C 64
 CR 17
 U 7
 Q 2
 ALL POTS ARE LINEAR UNLESS NOTED

CENTURION
 PREAMP

PEAVEY ELECTRONICS CORP
 MERIDIAN, MS
 DRAWN BY: *[Signature]* DATE: 12-7-78
 C.B. CK: *[Signature]*
 APFR BY: *[Signature]* 72-23-78



- SEMICONDUCTOR CROSS REFERENCE
- 761 — 2N940D
 - 5331 — MJE 243
 - 5332 — MJE 243
 - 5333 — 2N3638
 - 5334 — 2N3638
 - 5335 — 2N3638
 - 5336 — 2N3638
 - 5337 — 2N3638
 - 5338 — 2N3638
 - 5339 — 2N3638
 - 5340 — 2N3638
 - 5341 — 2N3638
 - 5342 — 2N3638
 - 5343 — 2N3638
 - 5344 — 2N3638
 - 5345 — 2N3638
 - 5346 — 2N3638
 - 5347 — 2N3638
 - 5348 — 2N3638
 - 5349 — 2N3638
 - 5350 — 2N3638
 - 5351 — 2N3638
 - 5352 — 2N3638
 - 5353 — 2N3638
 - 5354 — 2N3638
 - 5355 — 2N3638
 - 5356 — 2N3638
 - 5357 — 2N3638
 - 5358 — 2N3638
 - 5359 — 2N3638
 - 5360 — 2N3638
 - 5361 — 2N3638
 - 5362 — 2N3638
 - 5363 — 2N3638
 - 5364 — 2N3638
 - 5365 — 2N3638
 - 5366 — 2N3638
 - 5367 — 2N3638
 - 5368 — 2N3638
 - 5369 — 2N3638
 - 5370 — 2N3638
 - 5371 — 2N3638
 - 5372 — 2N3638
 - 5373 — 2N3638
 - 5374 — 2N3638
 - 5375 — 2N3638
 - 5376 — 2N3638
 - 5377 — 2N3638
 - 5378 — 2N3638
 - 5379 — 2N3638
 - 5380 — 2N3638
 - 5381 — 2N3638
 - 5382 — 2N3638
 - 5383 — 2N3638
 - 5384 — 2N3638
 - 5385 — 2N3638
 - 5386 — 2N3638
 - 5387 — 2N3638
 - 5388 — 2N3638
 - 5389 — 2N3638
 - 5390 — 2N3638
 - 5391 — 2N3638
 - 5392 — 2N3638
 - 5393 — 2N3638
 - 5394 — 2N3638
 - 5395 — 2N3638
 - 5396 — 2N3638
 - 5397 — 2N3638
 - 5398 — 2N3638
 - 5399 — 2N3638
 - 5400 — 2N3638

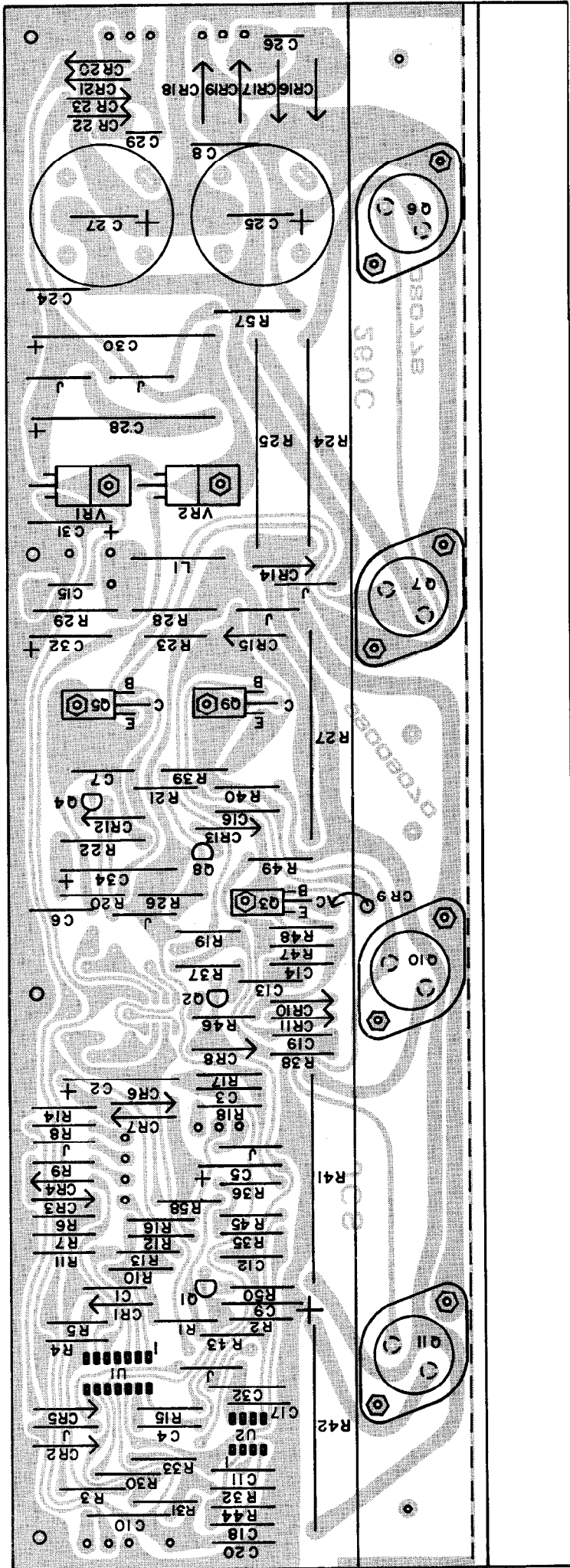
UNLESS OTHERWISE NOTED:
 ALL DIODES ARE IN4000
 ALL CAPACITORS ARE IN MFD
 ALL RESISTORS ARE IN MΩ
 ALL RESISTORS ARE ZERO SIGNAL CONDITIONS
 * ATTACHED TO H.S.
 BUILT UNDER U.S. PATENT NOS. 4,318,053
 AND 4,349,788
 ** ATTACHED TO 67376 TRANSISTOR

260C

P/N 81505057

REVISED 8/11/86
 PEAVEE ELECTRONICS CORP.
 MERIDIAN MS
 DRAWN BY [Signature] DATE 8.30.78
 CK BY [Signature] 8-30-78
 APPR BY [Signature]

COPYRIGHT 1980 PEAVEE ELECTRONICS CORP. PRINTED IN U.S.A.



260 C