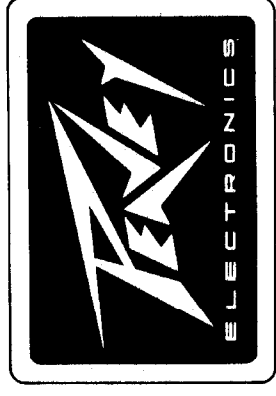


(VTA 800 HAS 2 POWER AMPLIFIERS)

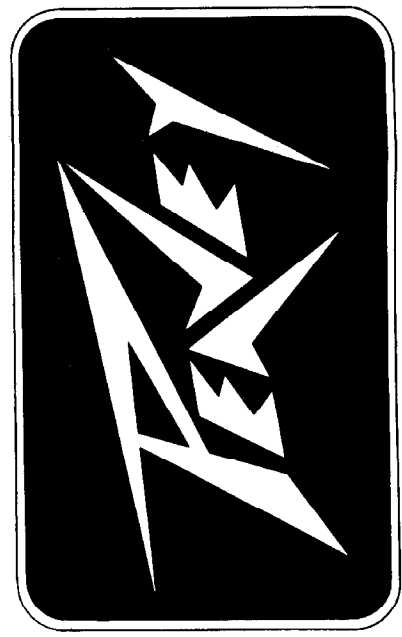
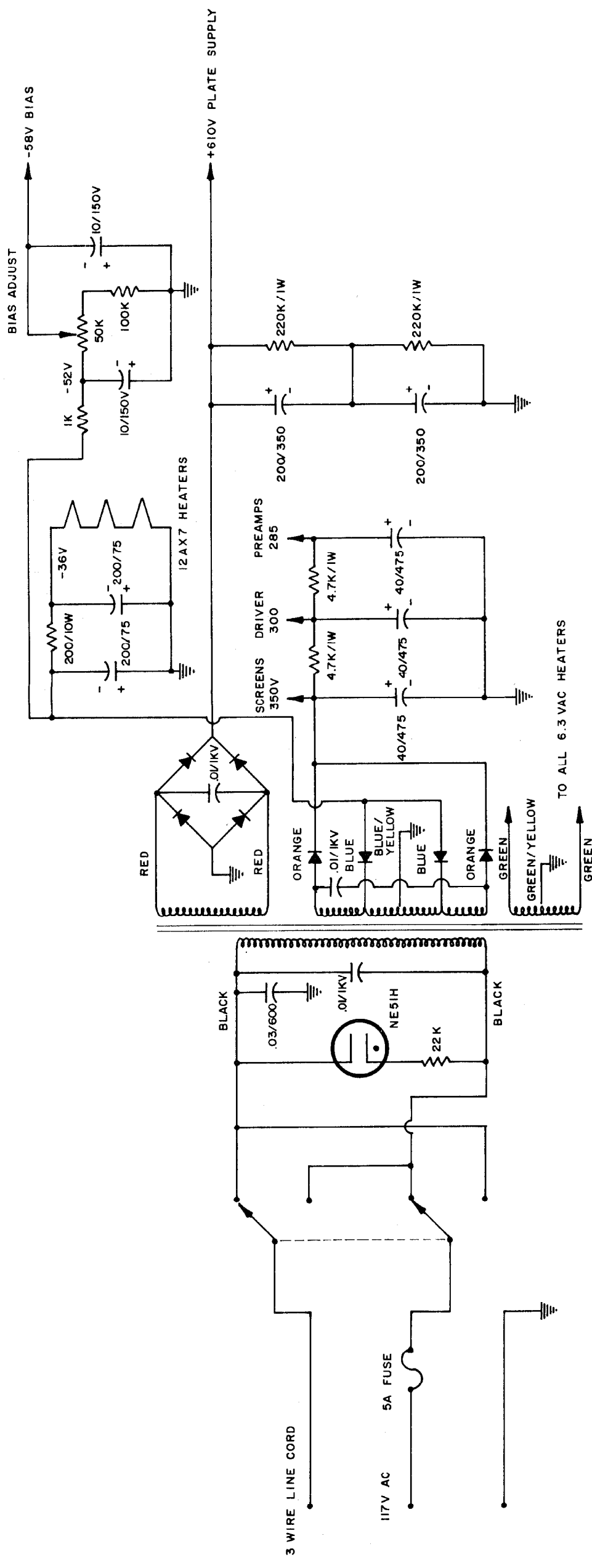
ALL DIODES 1A AT 1KV  
 ALL CAPACITORS IN MFD UNLESS NOTED  
 ALL RESISTORS 1/2W 5% UNLESS NOTED  
 VOLTAGES MAY VARY ± 20%



# VTA 400/800

PEAVEY ELECTRONICS CORP. / 611 10th Avenue / Meridian, Mississippi

( POWER SUPPLY ON BACK )



**VTA 400/800**