

ASSY P/N 07-519-12

07S519-12 DRAWING REPLACES 07S519-11

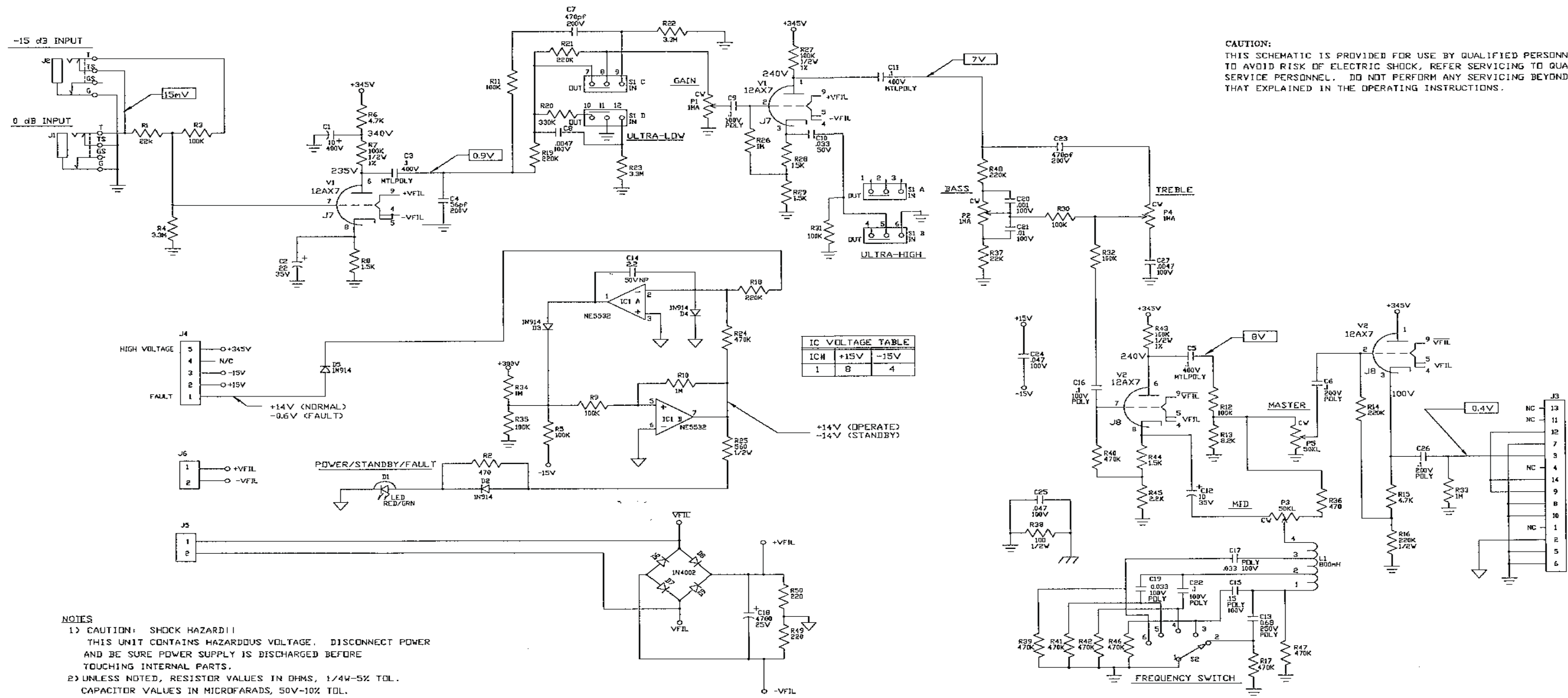
Power Table				
Ref Des	Device(Type)	Package	-15V	+15V
IC1	37553201	8DIP_3	4	8

CAUTION:
THIS SCHEMATIC IS PROVIDED FOR USE BY QUALIFIED PERSONNEL. TO AVOID RISK OF ELECTRIC SHOCK, REFER SERVICING TO QUALIFIED SERVICE PERSONNEL. DO NOT PERFORM ANY SERVICING BEYOND THAT EXPLAINED IN THE OPERATING INSTRUCTIONS.

NOTES:
1) CAUTION: SHOCK HAZARD!! THIS UNIT CONTAINS HAZARDOUS VOLTAGE. DISCONNECT POWER AND BE SURE POWER SUPPLY IS DISCHARGED BEFORE TOUCHING INTERNAL PARTS.
2) UNLESS NOTED, RESISTOR VALUES IN OHMS, 1/4W-5% TOL. CAPACITOR VALUES IN MICROFARADS, 50V-10% TOL.
3) VOLTAGES ARE MEASURED WITH 1 MEGOHM OSCILLOSCOPE AND 10 MEGOHM DIGITAL VOLTMETER.

- 4) VOLTAGES IN RECTANGLES ARE RMSSIGNAL, VOLTAGES WITH 15mV IN. OTHER VOLTAGES ARE D.C. IN CONDITIONS STATED.
- 5) CIRCUIT GROUND LED GROUND CHASSIS GROUND

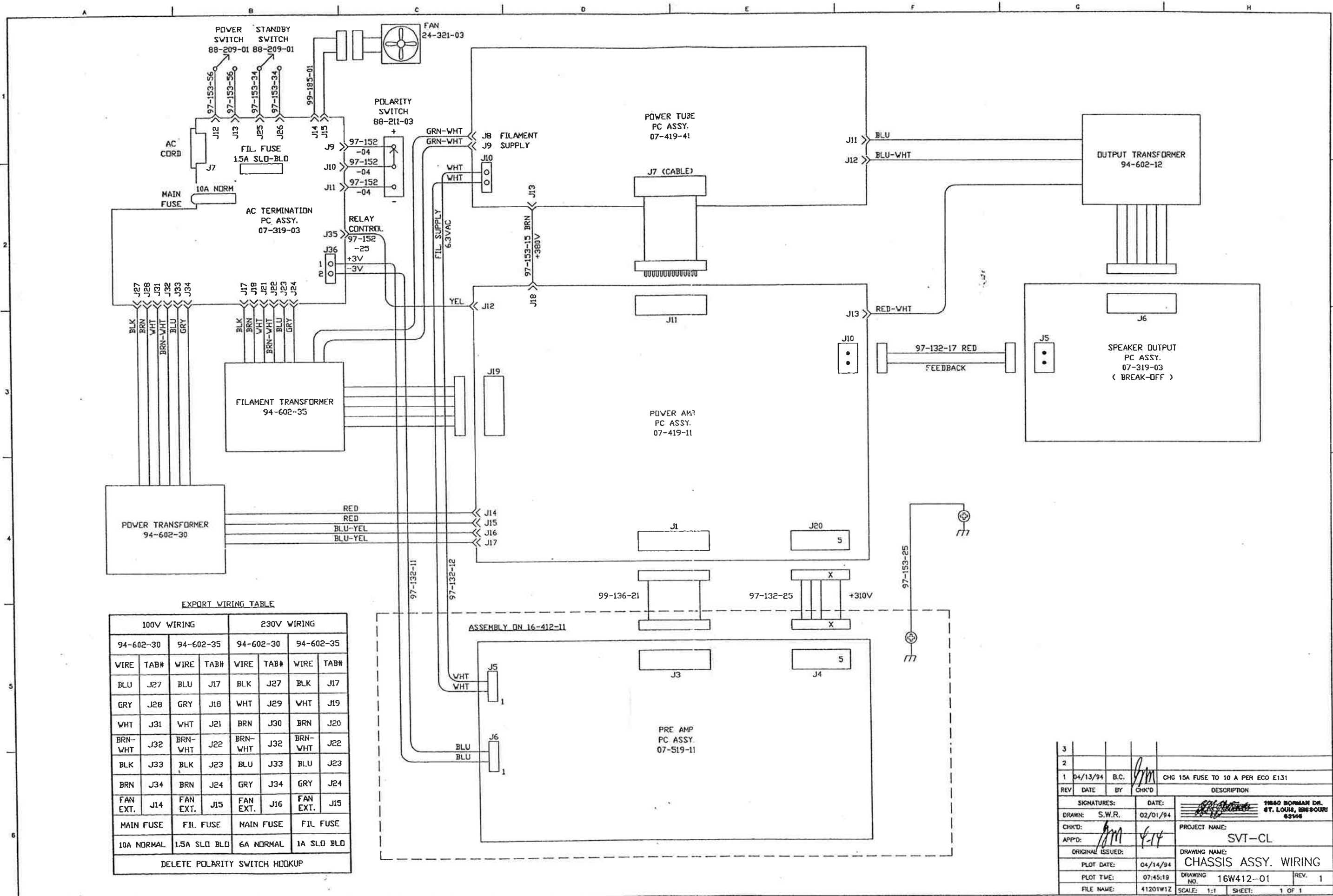
0	8-21-03	CONTROL ISSUE			
REV	Date	DESCRIPTION	Ecr(s)/Ecn(s)	Chgd By	Appvd by
THE INFORMATION CONTAINED ON THIS DRAWING IS PROPRIETARY TO ST. LOUIS MUSIC, INC.					
Signatures:		Date:	 11880 Borman Drive, St. Louis, MO 63146		
Drawn: RLB		5-8-03			
Checked:		Released:	First Used On:		
Plot Date: Wed Aug 20, 2003		Drawing Size: C	Drawing Title: PWA - PREAMP		
Plot Time: 15:14:11		Drawing Type: Schematic	Drawing Number: 07S519		
Tolerance:		Class Code: NONE	Sheet 1 of 1		



CAUTION:
THIS SCHEMATIC IS PROVIDED FOR USE BY QUALIFIED PERSONNEL.
TO AVOID RISK OF ELECTRIC SHOCK, REFER SERVICING TO QUALIFIED
SERVICE PERSONNEL. DO NOT PERFORM ANY SERVICING BEYOND
THAT EXPLAINED IN THE OPERATING INSTRUCTIONS.

- NOTES**
- 1) CAUTION: SHOCK HAZARD!!
THIS UNIT CONTAINS HAZARDOUS VOLTAGE. DISCONNECT POWER
AND BE SURE POWER SUPPLY IS DISCHARGED BEFORE
TOUCHING INTERNAL PARTS.
 - 2) UNLESS NOTED, RESISTOR VALUES IN OHMS, 1/4W-5% TOL.
CAPACITOR VALUES IN MICROFARADS, 50V-10% TOL.
 - 3) VOLTAGES ARE MEASURED WITH 1 MEGOHM OSCILLOSCOPE
AND 10 MEGOHM DIGITAL VOLTMETER.
 - 4) VOLTAGES IN RECTANGLES ARE RMS SIGNAL VOLTAGES WITH 15mV IN.
OTHER VOLTAGES ARE D.C. IN CONDITIONS STATED.
 - 5) CIRCUIT GROUND ⊕ LED GROUND ⊕ CHASSIS GROUND ⊕

△				
②	4-23-98	RLB	GM	CREATED NEW CAD FILE USING IMAGER; ORIGINAL WAS CORRUPT NO CHANGE TO DRAWING; SEE ECO 960272
①				NO CHANGE
REV	DATE	BY	CHK'D	DESCRIPTION
SIGNATURES:		DATE:		11880 BORMAN DR. ST. LOUIS, MISSOURI 63146
DRAWN: REM		11/17/93		
CHK'D: GM		11/17/93		PROJECT NAME:
APP'D: GM		11/17/93		SVT-CL
ORIGINAL ISSUED:		DRAWING NAME:		PREAMP SCHEMATIC
PLOT DATE: 07-09-98		DRAWING NO. 07S519-11		REV 2_
PLOT TIME: 1:00		SCALE: NONE		SHEET: 1 OF 1
FILE NAME: 51911H2_				

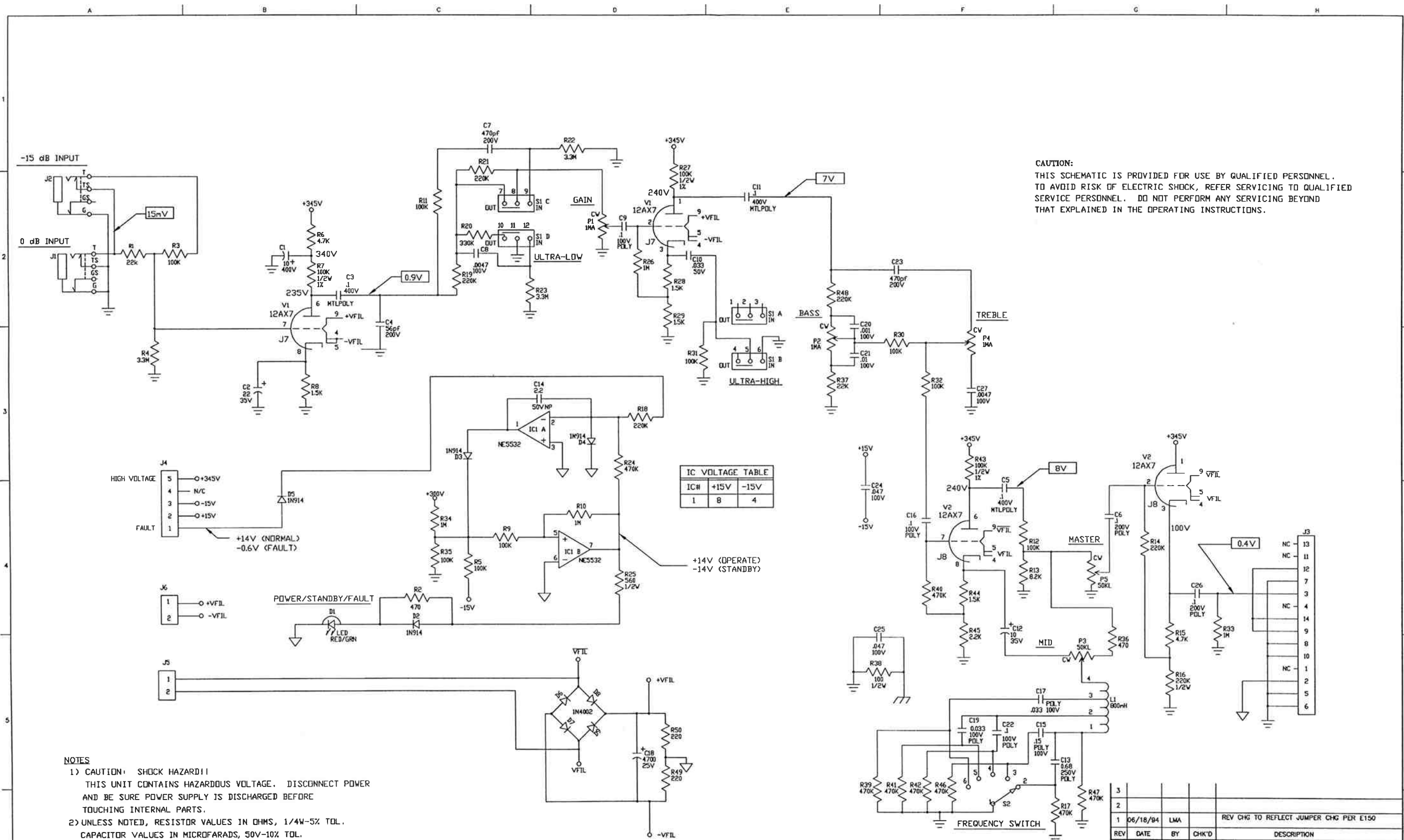


EXPORT WIRING TABLE

100V WIRING				230V WIRING			
WIRE	TAB#	WIRE	TAB#	WIRE	TAB#	WIRE	TAB#
BLU	J27	BLU	J17	BLK	J27	BLK	J17
GRY	J28	GRY	J18	WHT	J29	WHT	J19
WHT	J31	WHT	J21	BRN	J30	BRN	J20
BRN-WHT	J32	BRN-WHT	J22	BRN-WHT	J32	BRN-WHT	J22
BLK	J33	BLK	J23	BLU	J33	BLU	J23
BRN	J34	BRN	J24	GRY	J34	GRY	J24
FAN EXT.	J14	FAN EXT.	J15	FAN EXT.	J16	FAN EXT.	J15
MAIN FUSE	FIL FUSE	MAIN FUSE	FIL FUSE				
10A NORMAL	1.5A SLD BLD	6A NORMAL	1A SLD BLD				

DELETE POLARITY SWITCH HOOKUP

3				
2				
1	04/13/94	B.C.	<i>[Signature]</i>	CHG 15A FUSE TO 10 A PER ECO E131
REV	DATE	BY	CHK'D	DESCRIPTION
SIGNATURES:				DATE:
DRAWN: S.W.R.				02/01/94
CHK'D: <i>[Signature]</i>				PROJECT NAME: SVT-CL
APP'D: <i>[Signature]</i>				DRAWING NAME: CHASSIS ASSY. WIRING
ORIGINAL ISSUED:				PLOT DATE: 04/14/94
PLOT TIME: 07:45:19				DRAWING NO. 16W412-01
FILE NAME: 41201W1Z				SCALE: 1:1 SHEET: 1 OF 1

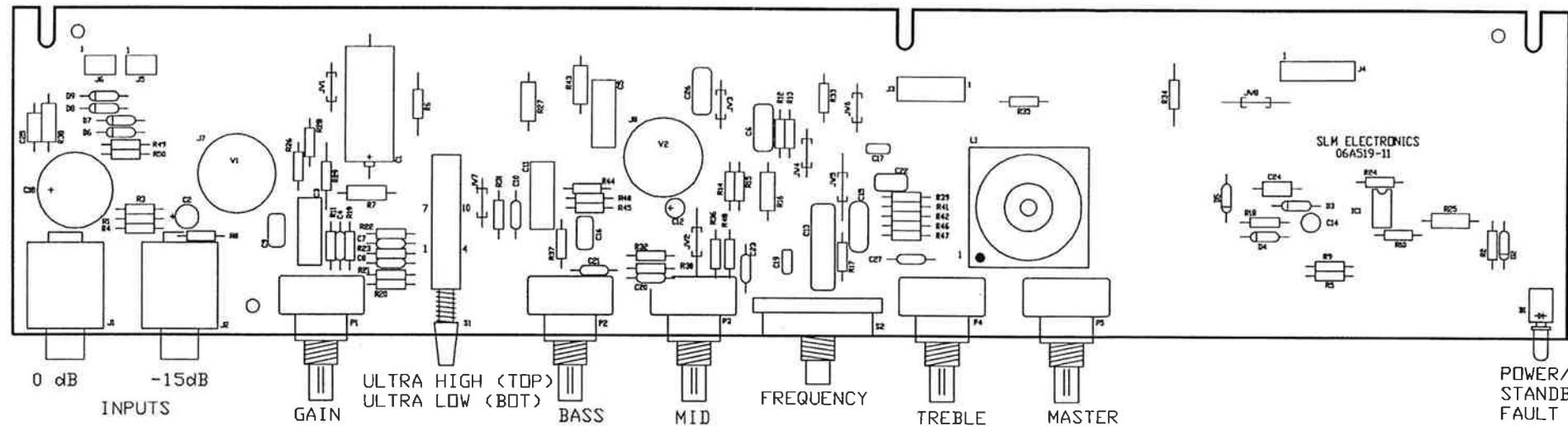


CAUTION:
THIS SCHEMATIC IS PROVIDED FOR USE BY QUALIFIED PERSONNEL.
TO AVOID RISK OF ELECTRIC SHOCK, REFER SERVICING TO QUALIFIED
SERVICE PERSONNEL. DO NOT PERFORM ANY SERVICING BEYOND
THAT EXPLAINED IN THE OPERATING INSTRUCTIONS.

IC#	+15V	-15V
1	B	4

- NOTES
- 1) CAUTION: SHOCK HAZARD!!
THIS UNIT CONTAINS HAZARDOUS VOLTAGE. DISCONNECT POWER AND BE SURE POWER SUPPLY IS DISCHARGED BEFORE TOUCHING INTERNAL PARTS.
 - 2) UNLESS NOTED, RESISTOR VALUES IN OHMS, 1/4W-5% TOL. CAPACITOR VALUES IN MICROFARADS, 50V-10% TOL.
 - 3) VOLTAGES ARE MEASURED WITH 1 MEGOHM OSCILLOSCOPE AND 10 MEGOHM DIGITAL VOLTMETER.
 - 4) VOLTAGES IN RECTANGLES ARE RMS SIGNAL VOLTAGES WITH 15mV IN. OTHER VOLTAGES ARE D.C. IN CONDITIONS STATED.
 - 5) CIRCUIT GROUND \perp LED GROUND ∇ CHASSIS GROUND |||

3				
2				
1	06/18/94	LMA		REV CHG TO REFLECT JUMPER CHG PER E150
REV	DATE	BY	CHK'D	DESCRIPTION
SIGNATURES:		DATE:		 TIM BORMAN DR. ST. LOUIS, MISSOURI 63148
DRAWN: REM		11/17/93		
CHK'D: GM		11/17/93		PROJECT NAME:
APP'D: GM		11/17/93		SVT-CL
ORIGINAL ISSUED:		11/17/93		DRAWING NAME:
PLOT DATE:		05/18/94		PREAMP SCHEMATIC
PLOT TIME:		09:56:06		DRAWING NO. 07S519-11
FILE NAME:		51911H12		REV. 1
SCALE:		~		SHEET: 1 OF 1



DESIGNATOR	PART #	DESCRIPTION
C1	12-106-91	10
C2	12-226-32	22
C3	10-104-10	.1 MTLPOLY
C4	10A560-21	56pf
C5	10-104-10	.1 MTLPOLY
C6	10-104-21	.1 POLY
C7	10A471-21	470pf
C8	10A472-11	.0047
C9	10-104-03	.1 POLY
C10	10A333-01	.033
C11	10-104-10	.1 MTLPOLY
C12	12-106-32	10
C13	10-684-21	0.68 POLY
C14	12-225-81	2.2 N.P.
C15	10-154-02	.15 POLY
C16	10-104-03	.1 POLY
C17	10-333-02	.033 POLY
C18	12-478-25	4700
C19	10-333-02	0.033 POLY
C20	10A102-11	.001
C21	10A103-11	.01
C22	10-104-03	.1 POLY
C23	10A471-21	470pf
C24	10A473-11	.047
C25	10A473-11	.047
C26	10-104-21	.1 POLY
C27	10A472-11	.0047

DESIGNATOR	PART #	DESCRIPTION
D1	21-591-01	RED/GRN
D2	21A914-01	1N914
D3	21A914-01	1N914
D4	21A914-01	1N914
D5	21A914-01	1N914
D6	21A402-01	1N4002
D7	21A402-01	1N4002
D8	21A402-01	1N4002
D9	21A402-01	1N4002

IC1 37-532-01 NE5532

J1	39-119-01	T/S JACK
J2	39-119-01	T/S JACK
J3	17-100-14	CONN
J4	17-310-05	HEADER
J5	17-310-02	HEADER
J6	17-310-02	HEADER
J7	17-450-09	TUBE SOCKET
J8	17-450-09	TUBE SOCKET

L1 94-602-32 800mH


DESIGNATOR	PART #	DESCRIPTION
P1	70-105-12	1MA
P2	70-105-12	1MA
P3	70-503-17	50KL
P4	70-105-12	1MA
P5	70-503-17	50KL
R1	76-223-01	22k
R2	76-471-01	470
R3	76-104-01	100K
R4	76-335-01	3.3M
R5	76-104-01	100K
R6	76-472-01	4.7K
R7	77-104-02	100K 1%
R8	76-152-01	1.5K
R9	76-104-01	100K
R10	76-105-01	1M
R11	76-104-01	100K
R12	76-104-01	100K
R13	76-822-01	8.2K
R14	76-224-01	220K
R15	76-472-01	4.7K
R16	77-224-01	220K 1/2W
R17	76-474-01	470K
R18	76-224-01	220K
R19	76-224-01	220K
R20	76-334-01	330K
R21	76-224-01	220K
R22	76-335-01	3.3M
R23	76-335-01	3.3M
R24	76-474-01	470K
R25	77-561-01	560 1/2W
R26	76-105-01	1M
R27	77-104-02	100K 1%
R28	76-152-01	1.5K
R29	76-152-01	1.5K
R30	76-104-01	100K
R31	76-104-01	100K
R32	76-104-01	100K
R33	76-105-01	1M
R34	76-105-01	1M
R35	76-104-01	100K
R36	76-471-01	470
R37	76-223-01	22K
R38	77-101-01	100 1/2W
R39	76-474-01	470K
R40	76-474-01	470K
R41	76-474-01	470K
R42	76-474-01	470K
R43	77-104-02	100K 1%
R44	76-152-01	1.5K
R45	76-222-01	2.2K
R46	76-474-01	470K
R47	76-474-01	470K
R48	76-224-01	220K
R49	76-221-01	220

DESIGNATOR	PART #	DESCRIPTION
R50	76-221-01	220
S1	88-303-02	SWITCH
S2	88-107-01	SWITCH
V1	97-927-01	12AX7
V2	97-927-01	12AX7

① JW1-8 76-000-05 JUMPER

MISCELLANEOUS

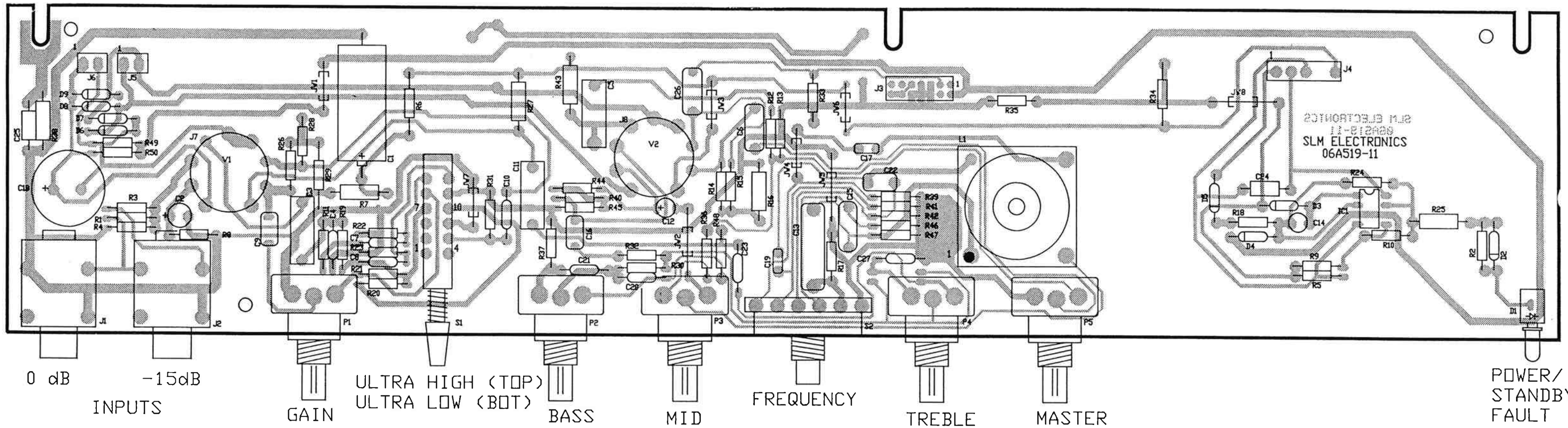
-	68-935-01	90° LED MOUNT FOR D1
-	06A519-11	SVT-CL PREAMP P.C. BOARD

3				
2				
1	06/18/94	LMA		76-000-01 TO -05 PER E150
REV	DATE	BY	CHK'D	DESCRIPTION
SIGNATURES:		DATE:		 1980 BORMAN DR. ST. LOUIS, MISSOURI 63146
DRAWN:	REM	11/22/93		
CHK'D:	GM	11/22/93		PROJECT NAME:
APP'D:	GM	11/22/93		SVT-CL
ORIGINAL ISSUED:		11/22/93		DRAWING NAME:
PLOT DATE:		05/18/94		PREAMP PICTORIAL
PLOT TIME:		09:51:51		DRAWING NO. 07P519-11
FILE NAME:		51911P1Z		REV. 1
SCALE: 1:1		SHEET: 1 OF 1		

07P519-11 PicT
SUT-CL Pre Amp

REV 1.

A | B | C | D

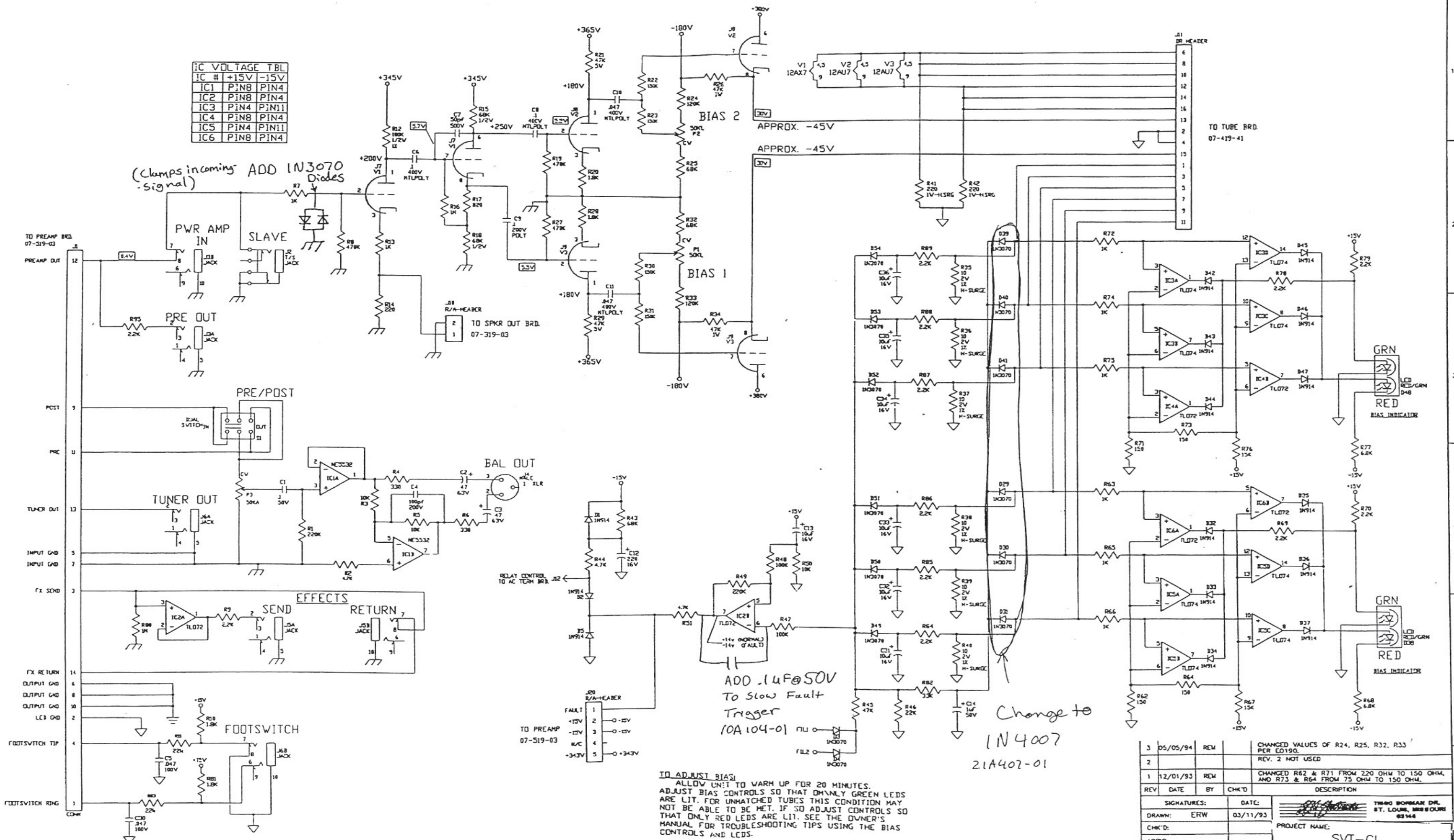


DESIGNATOR	PART #	DESCRIPTION
C1	12-106-91	10 400V
C2	12-226-32	22 35V
C3	10-104-10	.1 MTLPOLY 400V
C4	10A560-21	56pf 200V
C5	10-104-10	.1 MTLPOLY 400V
C6	10-104-21	.1 POLY 200V
C7	10A471-21	470pf 200V
C8	10A472-11	.0047 100V
C9	10-104-03	.1 POLY 100V

DESIGNATOR	PART #	DESCRIPTION
P1	70-105-12	1MA
P2	70-105-12	1MA
P3	70-503-17	50KL
P4	70-105-12	1MA
P5	70-503-17	50KL
R1	76-223-01	22k
R2	76-471-01	470
R3	76-104-01	100K


DESIGNATOR	PART #
R50	76-221-01
S1	88-303-02
S2	88-107-01
V1	97-927-01
V2	97-927-01

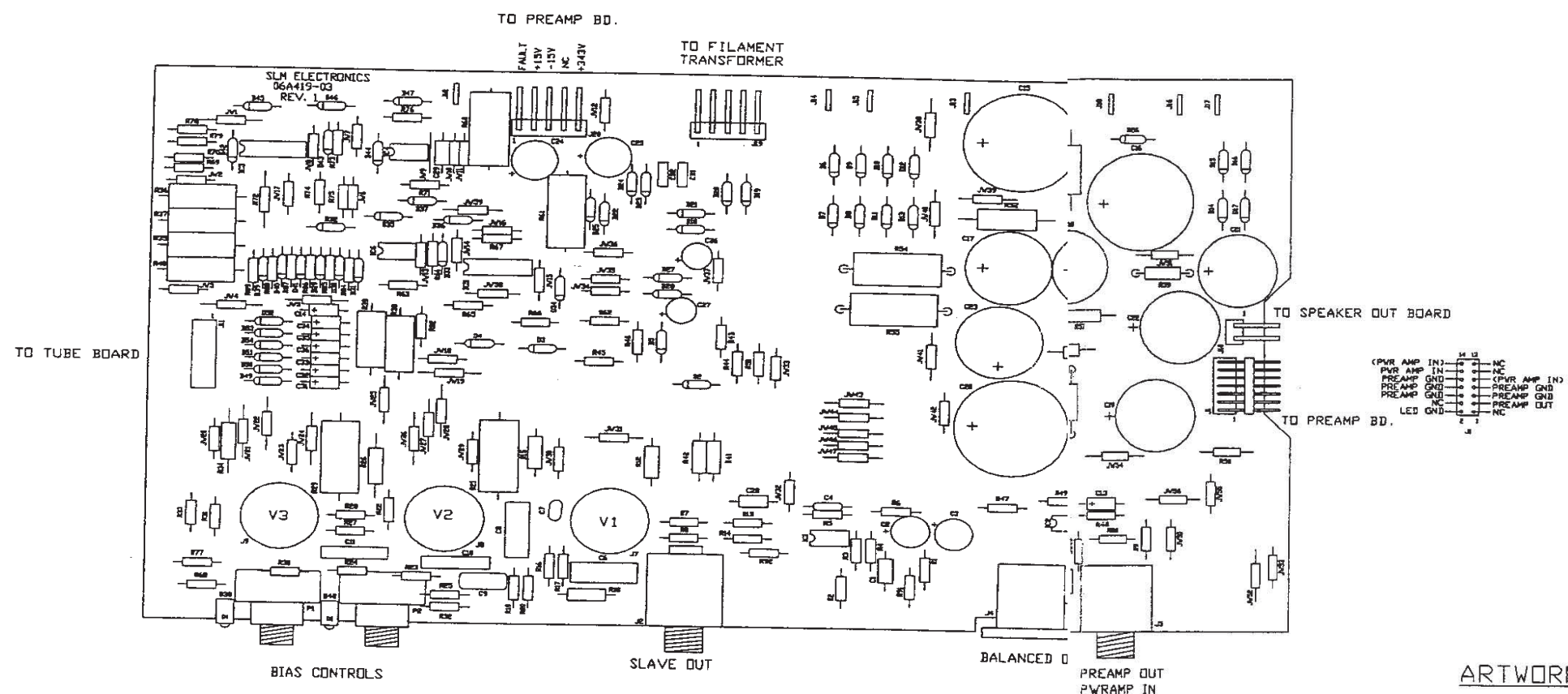
IC #	+15V	-15V
IC1	PIN8	PIN4
IC2	PIN8	PIN4
IC3	PIN4	PIN11
IC4	PIN8	PIN4
IC5	PIN4	PIN11
IC6	PIN8	PIN4



TO ADJUST BIAS:
 ALLOW UNIT TO WARM UP FOR 20 MINUTES.
 ADJUST BIAS CONTROLS SO THAT ONLY GREEN LEADS
 ARE LIT. FOR UNMATCHED TUBES THIS CONDITION MAY
 NOT BE ABLE TO BE MET. IF SO ADJUST CONTROLS SO
 THAT ONLY RED LEADS ARE LIT. SEE THE OWNER'S
 MANUAL FOR TROUBLESHOOTING TIPS USING THE BIAS
 CONTROLS AND LEADS.

REV	DATE	BY	CHK'D	DESCRIPTION
3	05/05/94	REM		CHANGED VALUES OF R24, R25, R32, R33 PER ED190.
2				REV. 2 NOT USED
1	12/01/93	REM		CHANGED R62 & R71 FROM 220 OHM TO 150 OHM, AND R73 & R64 FROM 75 OHM TO 150 OHM.

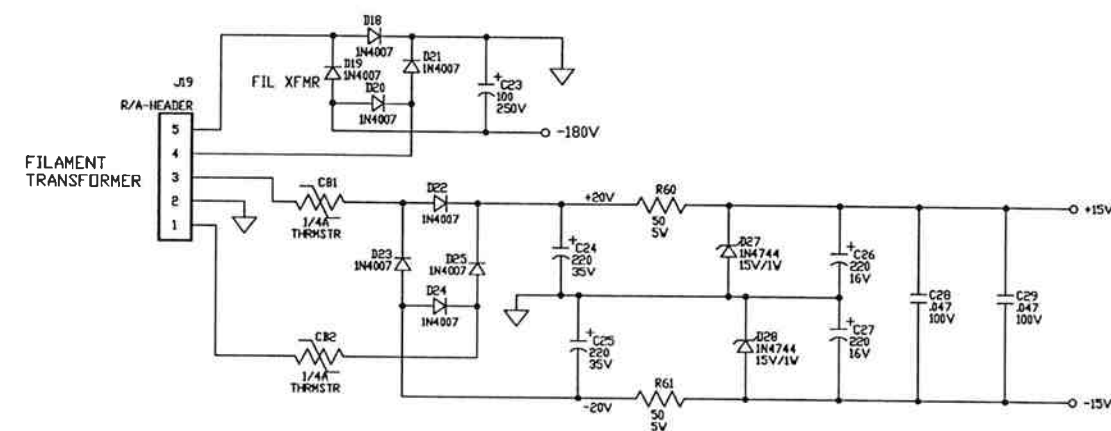
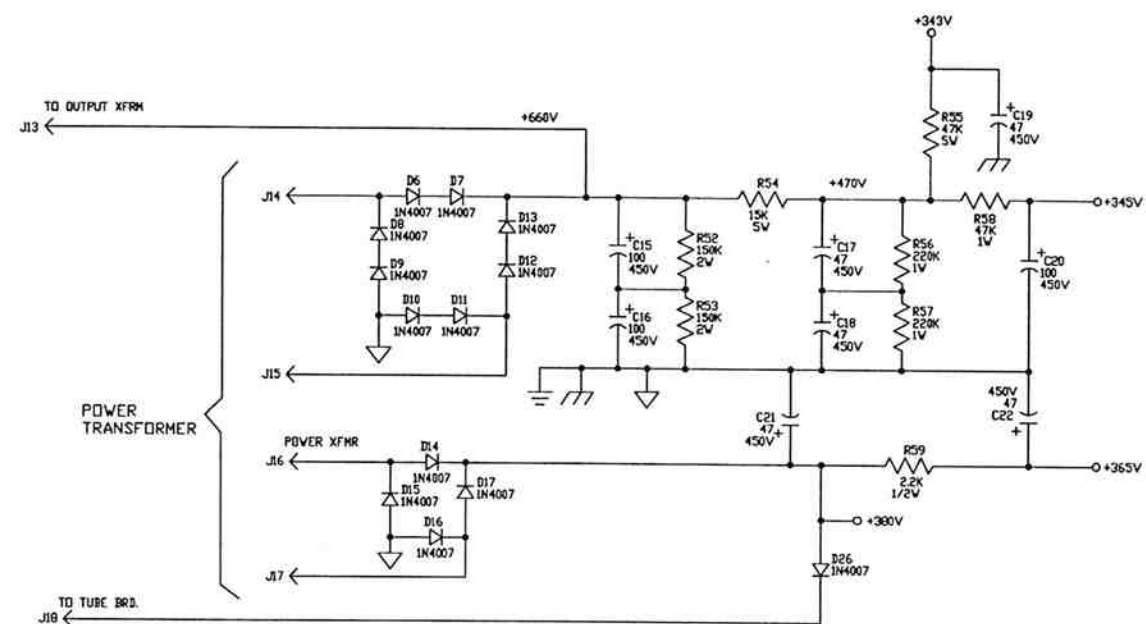
SIGNATURES:	DATE:	 TERRY BORMAN DPL ST. LOUIS, MISSOURI 63148
DRAWN: ERW	03/11/93	
CHK'D:		PROJECT NAME:
APP'D:		SVT-CL
ORIGINAL ISSUED:	03/11/93	DRAWING NAME:
PLOT DATE:	06/16/94	PWR AMP SCHEMATIC
PLOT TIME:	14:31:47	DRAWING NO. 075419-03



ARTWORK REV. 1

TO ADJUST BIAS:
 ALLOW UNIT TO WARM UP FOR 20 MINUTES.
 ADJUST BIAS CONTROLS SO THAT ONLY THE GREEN LEDS
 ARE LIT. FOR UNMATCHED TUBES THIS CONDITION MAY
 NOT BE ABLE TO BE MET. IF SO ADJUST CONTROLS
 SO THAT ONLY THE RED LEDS ARE LIT. SEE THE OWNER'S
 MANUAL FOR TROUBLESHOOTING TIPS USING THE BIAS
 CONTROLS AND LEDS.

3				
2	05/16/94	LMA		76-000-01 TO -05 PER E150
1	05/05/94	REM		CHANGED VALUES OF R24, R25, R32, R33 PER E0190.
REV	DATE	BY	CHK'D	DESCRIPTION
SIGNATURES:		DATE:		 1980 BORMAN DR. ST. LOUIS, MISSOURI 63148
DRAWN:	REM	11/15/93		
CHK'D:	RC	11/22/93		PROJECT NAME:
APP'D:	GM	11/22/93		SVT-CL
ORIGINAL ISSUED:	11/15/93			DRAWING NAME:
PLOT DATE:	05/16/94			PWR AMP PICTORIAL
PLOT TIME:	11:25:48			DRAWING NO. 07S419-11
FILE NAME:	41911P22			REV. 2
		SCALE: 1:1		SHEET: 1 OF 2

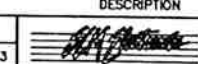


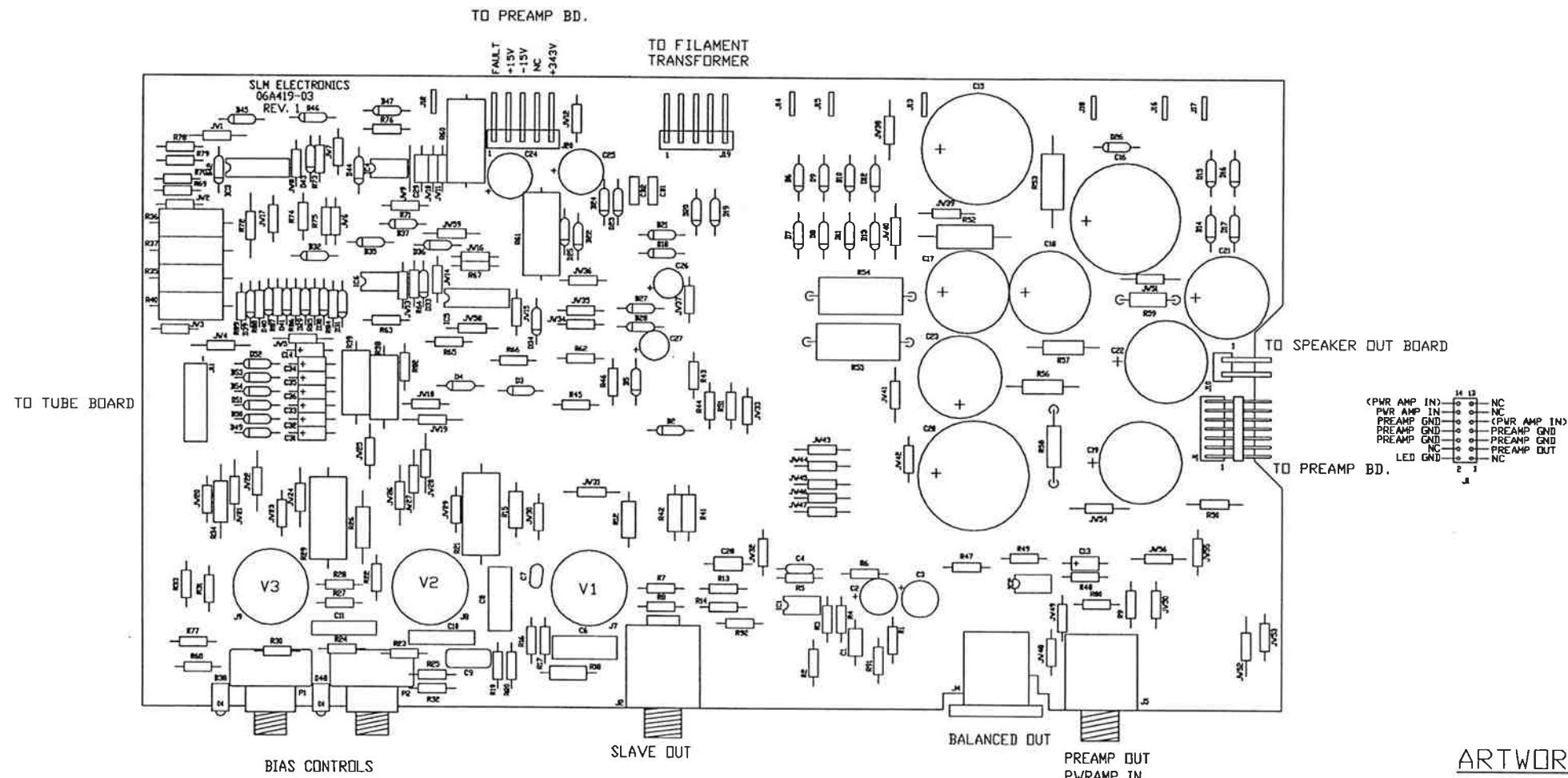
NOTES

- 1) CAUTION: SHOCK HAZARD!!
THIS UNIT CONTAINS HAZARDOUS VOLTAGE. DISCONNECT POWER AND BE SURE POWER SUPPLY IS DISCHARGED BEFORE TOUCHING INTERNAL PARTS.
- 2) UNLESS NOTED, RESISTOR VALUES IN OHMS, 1/4W-5% TOL. CAPACITOR VALUES IN MICROFARADS, 50V-10% TOL.
- 3) VOLTAGES ARE MEASURED WITH 1 MEGOHM OSCILLOSCOPE AND 10 MEGOHM DIGITAL VOLTMETER.
- 4) VOLTAGES IN RECTANGLES ARE RMS SIGNAL VOLTAGES WITH 0.4V IN. OTHER VOLTAGES ARE D.C. IN CONDITIONS STATED.
- 5) CIRCUIT GROUND ∇ DIRTY GROUND ∇ CHASSIS GROUND ∇

CAUTION:

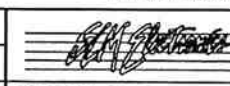
THIS SCHEMATIC IS PROVIDED FOR USE BY QUALIFIED PERSONNEL. TO AVOID RISK OF ELECTRIC SHOCK, REFER SERVICING TO QUALIFIED SERVICE PERSONNEL. DO NOT PERFORM ANY SERVICING BEYOND THAT EXPLAINED IN THE OPERATING INSTRUCTIONS.

3				
2	05/16/94	LMA		REV CHG TO REFLECT JUMPER CHG PER E150
1	05/05/94	REM		CHANGED VALUES OF R24, R25, R32, R33 PER ED190.
REV	DATE	BY	CHK'D	DESCRIPTION
SIGNATURES:		DATE:		 TERRY BORMAN DR. ST. LOUIS, MISSOURI 63148
DRAWN:	REM	11/15/93		
CHK'D:	GM	11/15/93		PROJECT NAME:
APP'D:	GM	11/15/93		SVT-CL
ORIGINAL ISSUED:	11/15/93	DRAWING NAME:		PWR AMP SCHEMATIC
PLOT DATE:	05/16/94	DRAWING NO.:		07S419-11
PLOT TIME:	11:30:31	REV.:		2
FILE NAME:	41911H2Z	SCALE:		SHEET: 2 OF 2



ARTWORK REV. 1

TO ADJUST BIAS:
 ALLOW UNIT TO WARM UP FOR 20 MINUTES.
 ADJUST BIAS CONTROLS SO THAT ONLY THE GREEN LEDS
 ARE LIT. FOR UNMATCHED TUBES THIS CONDITION MAY
 NOT BE ABLE TO BE MET. IF SO ADJUST CONTROLS
 SO THAT ONLY THE RED LEDS ARE LIT. SEE THE OWNER'S
 MANUAL FOR TROUBLESHOOTING TIPS USING THE BIAS
 CONTROLS AND LEDS.

3				
2	05/16/94	LMA		76-000-01 TO -05 PER E150
1	05/05/94	REM		CHANGED VALUES OF R24, R25, R32, R33 PER E0190.
REV	DATE	BY	CHK'D	DESCRIPTION
SIGNATURES:		DATE:		 1880 BORMAN DR. ST. LOUIS, MISSOURI 63146
DRAWN:	REM	11/15/93		
CHK'D:	RC	11/22/93		PROJECT NAME:
APP'D:	GM	11/22/93		SVT-CL
ORIGINAL ISSUED:		11/15/93		DRAWING NAME:
PLOT DATE:		05/16/94		PWR AMP PICTORIAL
PLOT TIME:		11:25:48		DRAWING NO. 07S419-11
FILE NAME:		41911P22		REV. 2
SCALE: 1:1		SHEET: 1 OF 2		

DESIGNATOR	PART #	DESCRIPTION
CB1	73-101-01	1/4A THRMSTR
CB2	73-101-01	1/4A THRMSTR
C1	10A104-01	0.1 50V
C2	12-476-62	47 63V
C3	12-476-62	47 63V
C4	10A101-21	100pf 200V
C5	NOT USED	
C6	10-104-10	0.1 400V
C7	10-500-02	50pf 500V
C8	10-104-10	0.1 400V
C9	10-104-21	0.1 200V
C10	10-473-10	0.047 400V
C11	10-473-10	0.047 400V
C12	NOT USED	
C13	12A106-11	10uF 16V
C14	12A105-51	1uF 50V
C15	12-107-30	100 450V
C16	12-107-30	100 450V
C17	12-476-42	47 450V
C18	12-476-42	47 450V
C19	12-476-42	47 450V
C20	12-107-30	100 450V
C21	12-476-42	47 450V
C22	12-476-42	47 450V
C23	12-107-62	100 250V
C24	12-227-32	220 35V
C25	12-227-32	220 35V
C26	12-227-12	220 16V
C27	12-227-12	220 16V
C28	10A473-11	0.047 100V
C29	10A473-11	0.047 100V
C30	NOT USED	
C31	12A106-11	10uF 16V
C32	12A106-11	10uF 16V
C33	12A106-11	10uF 16V
C34	12A106-11	10uF 16V
C35	12A106-11	10uF 16V
C36	12A106-11	10uF 16V
D1	NOT USED	
D2	21A914-01	1N914
D3	21A370-01	1N3070
D4	21A370-01	1N3070
D5	21A914-01	1N914
D6	21A407-01	1N4007
D7	21A407-01	1N4007
D8	21A407-01	1N4007
D9	21A407-01	1N4007
D10	21A407-01	1N4007
D11	21A407-01	1N4007
D12	21A407-01	1N4007
D13	21A407-01	1N4007
D14	21A407-01	1N4007
D15	21A407-01	1N4007
D16	21A407-01	1N4007
D17	21A407-01	1N4007
D18	21A407-01	1N4007
D19	21A407-01	1N4007
D20	21A407-01	1N4007
D21	21A407-01	1N4007
D22	21A407-01	1N4007

DESIGNATOR	PART #	DESCRIPTION
D23	21A407-01	1N4007
D24	21A407-01	1N4007
D25	21A407-01	1N4007
D26	21A407-01	1N4007
D27	21A444-01	1N4744 15V/1W
D28	21A444-01	1N4744 15V/1W
D29	21A370-01	1N3070
D30	21A370-01	1N3070
D31	21A370-01	1N3070
D32	21A914-01	1N914
D33	21A914-01	1N914
D34	21A914-01	1N914
D35	21A914-01	1N914
D36	21A914-01	1N914
D37	21A914-01	1N914
D38	21-512-01	RED/GRN LED
D39	21A370-01	1N3070
D40	21A370-01	1N3070
D41	21A370-01	1N3070
D42	21A914-01	1N914
D43	21A914-01	1N914
D44	21A914-01	1N914
D45	21A914-01	1N914
D46	21A914-01	1N914
D47	21A914-01	1N914
D48	21-512-01	RED/GRN LED
D49	21A370-01	1N3070
D50	21A370-01	1N3070
D51	21A370-01	1N3070
D52	21A370-01	1N3070
D53	21A370-01	1N3070
D54	21A370-01	1N3070
IC1	37-532-01	NE5532
IC2	37-072-01	TLO72
IC3	37-074-01	TLO74
IC4	37-072-01	TLO72
IC5	37-074-01	TLO74
IC6	37-072-01	TLO72
J1	17-101-14	14PIN R/A-HEADER
J2	39-116-51	T/S JACK
J3	NOT USED	
J4	39-308-01	MALE XLR
J5	39-910-01	JACK STACKED
J6	NOT USED	
J7	17-450-09	9PIN TUBE SOCKET
J8	17-450-09	9PIN TUBE SOCKET
J9	17-450-09	9PIN TUBE SOCKET
J10	17-311-02	2PIN R/A-HEADER
J11	17-101-16	16PIN DR_HEADER
J12	17-836-01	TAB
J13	17-836-01	TAB
J14	17-836-01	TAB
J15	17-836-01	TAB
J16	17-836-01	TAB
J17	17-836-01	TAB
J18	17-836-01	TAB
J19	17-311-05	5PIN R/A-HEADER
J20	17-311-05	5PIN R/A-HEADER
[2] JW1-8	76-000-05	JUMPER
JW9	76-000-05	JUMPER
[2] JW10-56	76-000-05	JUMPER
JW57	76-000-05	JUMPER
[2] JW58-59	76-000-05	JUMPER

DESIGNATOR	PART #	DESCRIPTION
P1	70-503-20	50KL
P2	70-503-20	50KL
P3	NOT USED	
R1	76-223-01	22K
R2	76-472-01	4.7K
R3	76-103-01	10K
R4	76-331-01	330
R5	76-103-01	10K
R6	76-331-01	330
R7	76-102-01	1K
R8	76-474-01	470K
R9	76-222-01	2.2K
R10	NOT USED	
R11	NOT USED	
R12	77-104-02	100K 1/2W 1%
R13	76-102-01	1K
R14	76-221-01	220
R15	77-683-01	68K 1/2W
R16	76-105-01	1M
R17	76-821-01	820
R18	77-683-01	68K 1/2W
R19	76-474-01	470K
R20	76-182-01	1.8K
R21	78-473-05	47K 5W
R22	76-154-01	150K
R23	76-154-01	150K
[1] R24	76-124-01	120K
[1] R25	76-683-01	68K
[1] R26	78-473-01	47K 1W
[1] R27	76-474-01	470K
R28	76-182-01	1.8K
R29	78-473-05	47K 5W
R30	76-154-01	150K
[1] R31	76-154-01	150K
[1] R32	76-683-01	68K
[1] R33	76-124-01	120K
R34	78-473-01	47K 1W
R35	78-100-92	10 2W-H.SRG
R36	78-100-92	10 2W-H.SRG
R37	78-100-92	10 2W-H.SRG
R38	78-100-92	10 2W-H.SRG
R39	78-100-92	10 2W-H.SRG
R40	78-100-92	10 2W-H.SRG
R41	78-221-91	220 1W-H.SRG
R42	78-221-91	220 1W-H.SRG
R43	76-683-01	68K
R44	76-472-01	4.7K
R45	76-473-01	47K
R46	76-223-01	22K
R47	76-104-01	100K
R48	76-104-01	100K
R49	76-224-01	220K
R50	76-103-01	10K
R51	76-472-01	4.7K
R52	78-154-02	150K 2W
R53	78-154-02	150K 2W
*R54	78-153-05	15K 5W
*R55	78-473-05	47K 5W
R56	78-224-01	220K 1W
R57	78-224-01	220K 1W
*R58	78-473-01	47K 1W
*R59	77-222-01	2.2K 1/2W

R60	78-500-05	50 5W
R61	78-500-05	50 5W
R62	76-151-01	150
R63	76-102-01	1K
R64	76-151-01	150
R65	76-102-01	1K
R66	76-102-01	1K
R67	76-153-01	15K
R68	76-682-01	6.8K
R69	76-222-01	2.2K
R70	76-222-01	2.2K
R71	76-151-01	150
R72	76-102-01	1K
R73	76-151-01	150
R74	76-102-01	1K
R75	76-102-01	1K
R76	76-153-01	15K
R77	76-682-01	6.8K
R78	76-222-01	2.2K
R79	76-222-01	2.2K
R80	76-105-01	1M
R81	NOT USED	
R82	76-333-01	33K
R83	NOT USED	
R84	76-222-01	2.2K
R85	76-222-01	2.2K
R86	76-222-01	2.2K
R87	76-222-01	2.2K
R88	76-222-01	2.2K
R89	76-222-01	2.2K
*1 R91	76-473-01	47K
*1 R92	76-221-01	220
*1 R95	NOT USED	
S1	NOT USED	
(8)	85-061-01	SPACERS
PCB1	06A419-03	PC BOARD
V1	97-927-01	12AX7
V2	95-126-01	12AU7
V3	95-126-01	12AU7

* USES SPACERS
*1 BREAK IN SEQUENCE

3				
2	05/16/94	LMA		76-000-01 TO -05 PER E150
[1]	05/05/94	REM		CHANGED VALUES OF R24, R25, R32, R33 PER E0190.
REV	DATE	BY	CHK'D	DESCRIPTION
SIGNATURES:		DATE:		1180 BORMAN DR. ST. LOUIS, MISSOURI 63146
DRAWN: REM		11/15/93		
CHK'D: RC		11/22/93		
APP'D: GM		11/22/93		
ORIGINAL ISSUED:		11/15/93		DRAWING NAME:
PLOT DATE:		05/16/94		PWR AMP PICTORIAL
PLOT TIME:		11:25:48		DRAWING NO. 07S419-11
FILE NAME:		41911P2Z		REV: 2
SCALE: 1:1		SHEET: 2 OF 2		

SUT-CL Pwr AMP

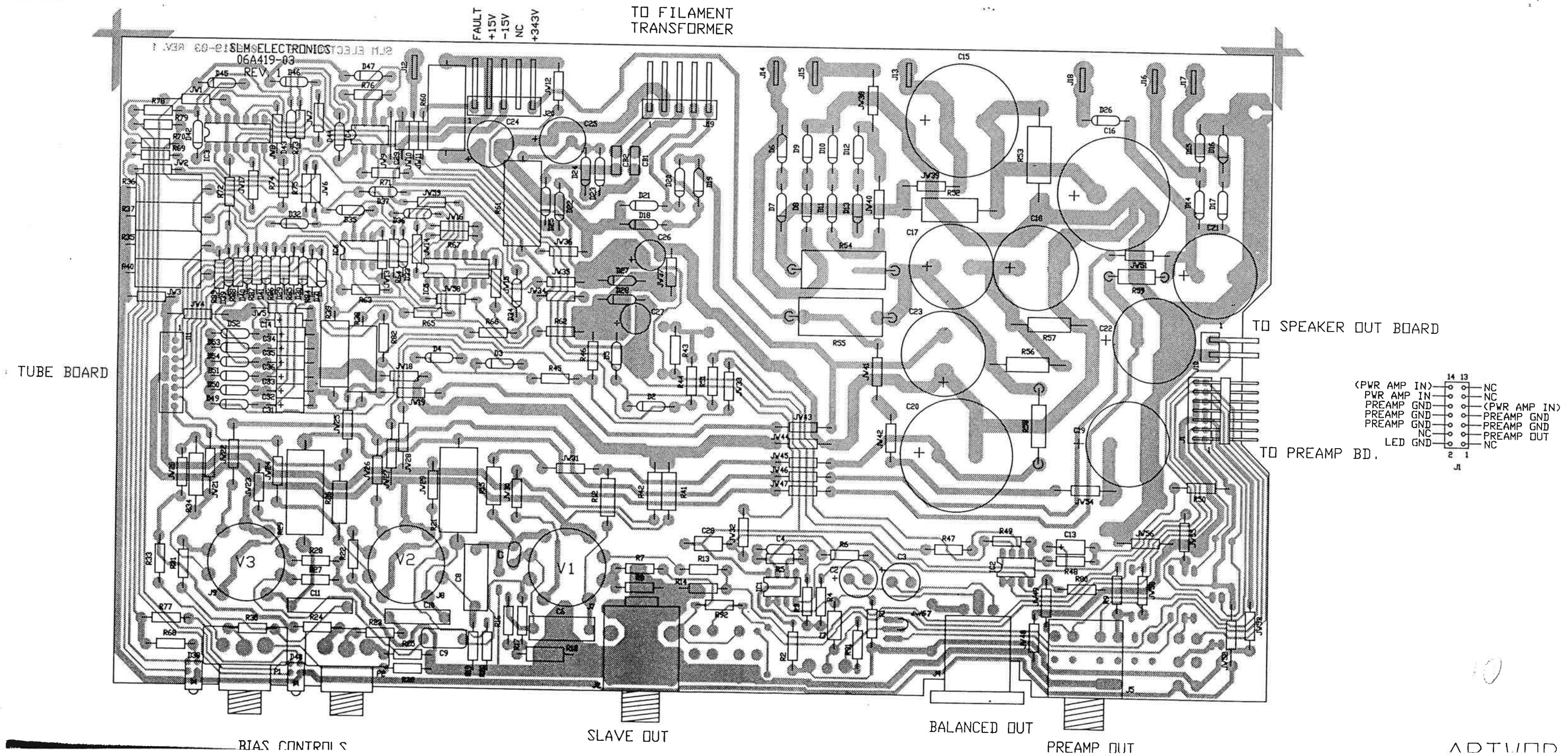
162 ✓

B

C

D

E



FAULT
+15V
-15V
NC
+343V

TO FILAMENT
TRANSFORMER

1 V3A 60-01 SEMI ELECTRONICS 11.02
06A419-03
REV 1

TO SPEAKER OUT BOARD

(PWR AMP IN)	14	13	NC
PWR AMP IN	12	11	NC
PREAMP GND	10	9	(PWR AMP IN)
PREAMP GND	8	7	PREAMP GND
PREAMP GND	6	5	PREAMP GND
NC	4	3	PREAMP OUT
LED GND	2	1	NC

J1

TO PREAMP BD.

TUBE BOARD

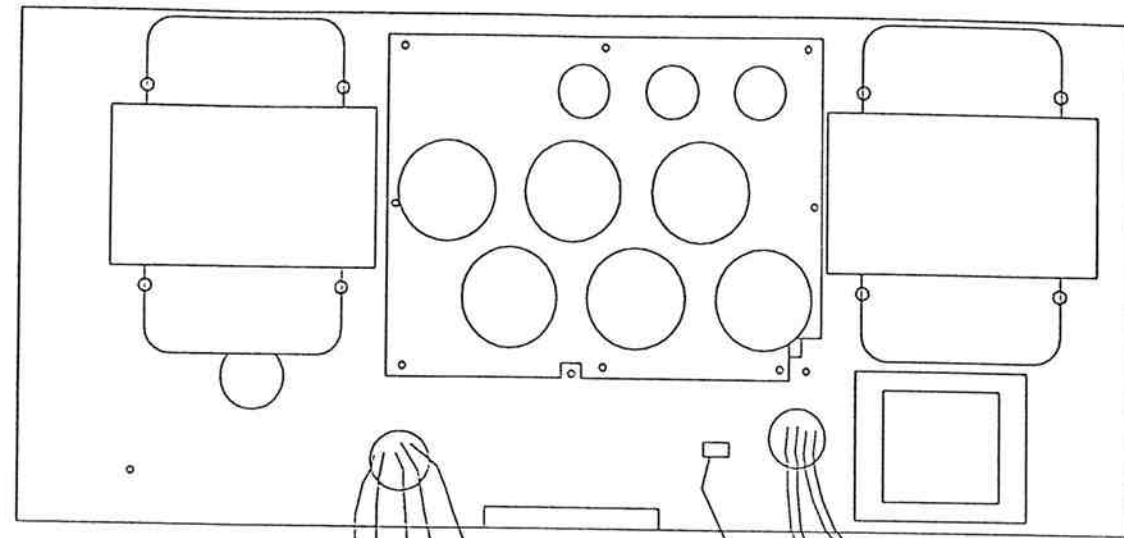
BIAS CONTRL

SLAVE OUT

BALANCED OUT

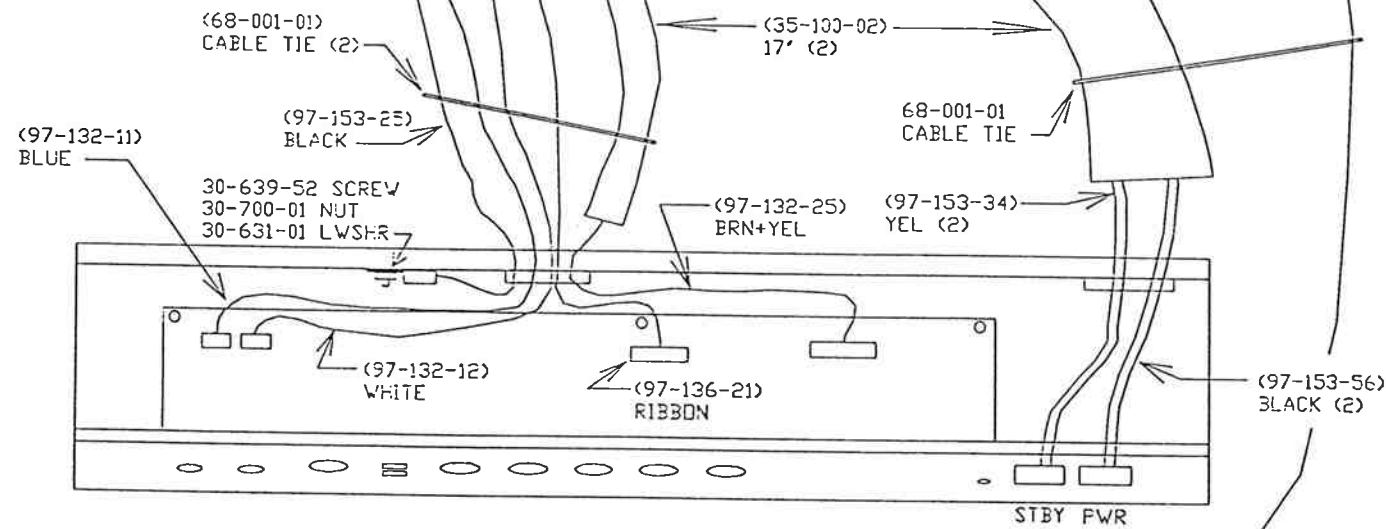
PREAMP OUT

ADTWD

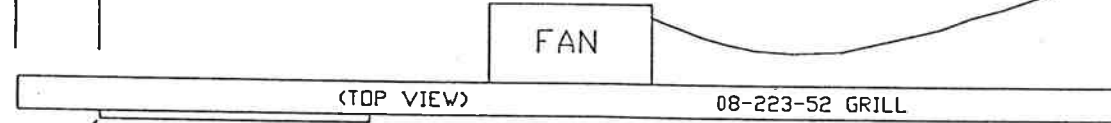


()=PARTS ON 16-412-01

KEEP BOTH ENDS INSIDE CHASSIS



3/4"

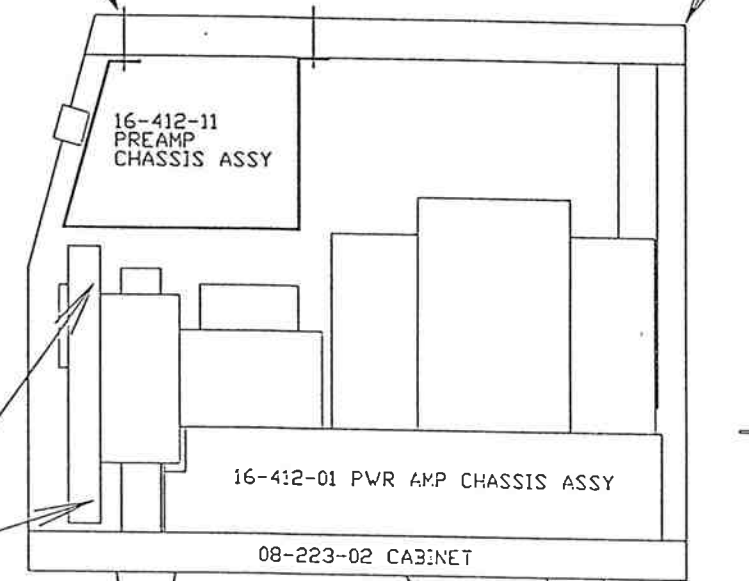


68-009-51 LOGO
 INSTALL WITH (2) 30-612-10
 3/4" FROM LEFT SIDE; 1" FROM TOP

51-115-01 HANDLE (2)
 30-838-03 SCREW (28)
 ON SIDES

51-891-01 CORNER (6)
 30-838-03 SCREW (12)

30-883-01 SCREW (4)
 30-861-71 WASHER (4)

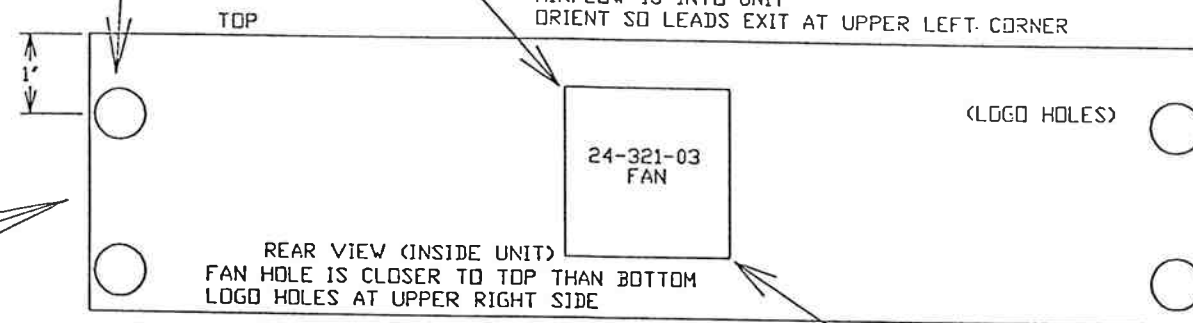


51-405-01 GRILL
 INSTALL WITH
 30-612-01 SCREW (6)

30-832-01 T-NUT (4) INSIDE
 30-871-52 SCREW (4)
 61-202-01 FEET (4)

30-891-01 SCREW (5)
 30-850-06 WASHER (5)
 TO CHASSIS

GRILL AND FAN ASSY
 INSTALL WITH
 68-035-01 FASTENER (8)
 30-612-01 SCREW (8)



FAN MOUNTED CLOSER TO TOP
 AIRFLOW IS INTO UNIT
 ORIENT SO LEADS EXIT AT UPPER LEFT CORNER

2-16-94 REV 0 GM
 7-18-94 REV 1 GM CHANGED LOGO, MOUNTING

SVTCLFIN.DWG

SVT-CL FINAL ASSEMBLY