

Wharfedale Pro

Service Manual : PM-700 Professional Audio Mixers

PM-700

Table of Contents:

1.Specifications.....	2
2.Assembly parts list.....	3
3.Electronic parts list.....	5
4.Schematic Diagram.....	12

1. SPECIFICATIONS

Model designated	PM700 (1000W), PM700L (1000W), PM700L (1000W), PM700L (1000W), PM700L (1000W)
Focus switch	Digital focus auto
Projection	Triaxial LCD 3D
Filter type	High-efficiency
Power requirement	USA and Canada: 20V AC 50Hz EU and UK: 230V AC 50-60Hz Other: 240V AC 50Hz
Power consumption	100W
Dimensions (W x H x D)	147mm x 81mm x 54mm 147mm x 81mm x 54mm
Weight	1.1kg (2.42lb)

Input Specifications

Input channels	IAC	Actual Input Impedance	Input level	
			Normal level	Max. level
CH-1 (MIC)	PAD OFF	4kΩ	-60dB (0.8mV)	-20dB (50mV)
	PAD ON	4kΩ	-40dB (50mV)	-10dB (500mV)
CH-2 (MIC)	PAD OFF	4kΩ	-60dB (0.8mV)	-20dB (50mV)
	PAD ON	4kΩ	-40dB (50mV)	-10dB (500mV)
CH-3 (LINE)	PAD OFF	10kΩ	-60dB (0.8mV)	-20dB (50mV)
	PAD ON	10kΩ	-40dB (50mV)	-10dB (500mV)
CH-4	PAD OFF	70kΩ	-60dB (0.8mV)	-20dB (50mV)
	PAD ON	70kΩ	-40dB (50mV)	-10dB (500mV)
CH-5	PAD OFF	30kΩ	-60dB (0.8mV)	-20dB (50mV)
	PAD ON	30kΩ	-40dB (50mV)	-10dB (500mV)
LINE (L)		10kΩ	-60dB (0.8mV)	-20dB (50mV)

① CH-1, CH-2, CH-3, CH-4, CH-5: Input impedance is 10kΩ when the pad is turned off and 10kΩ when the pad is turned on.

Output Specifications

Output channels	Actual source impedance	Normal impedance	Output level		Connection
			Normal	Max. level	
Speaker (L/R)	6Ω	400Ω speaker	3.0V (40)	30.0V (40)	1/2" Hi-Z Jack
Monitor (L/R)	300Ω	10kΩ line	100mV (100)	1000mV (100)	1/2" Hi-Z Jack
Monitor (L/R)	6Ω	400Ω speaker	3.0V (40)	30.0V (40)	1/2" Hi-Z Jack
Effect (L)	300Ω	10kΩ line	100mV (100)	1000mV (100)	1/2" Hi-Z Jack
Record out (R)	300Ω	10kΩ line	100mV (100)	1000mV (100)	3.5mm jack

① Speaker: 1000Hz, 1000mV, 1000mV, 1000mV, 1000mV

Specifications

Maximum input power	500W (400W THD 0.1%, 400W THD 0.1%, 400W THD 0.1%)
Frequency response	20Hz to 20kHz (±0.5dB, 0dB, 0dB, 0dB, 0dB) 20Hz to 20kHz (±0.5dB, 0dB, 0dB, 0dB, 0dB)
Distortion	Less than 0.1% (20Hz to 20kHz, 1kHz, 100mV, 100mV, 100mV, 100mV, 100mV, 100mV)
Tone & Effect	-60dB (normal) (input impedance)
	-60dB (normal) (output)
	70dB (normal) (input)
	80dB (normal) (input)
	90dB (normal) (input)
Maximum voltage gain	80dB (input impedance)
	80dB (input impedance)
	80dB (input impedance)
	80dB (input impedance)
	80dB (input impedance)
Classical (1kHz)	20dB (input impedance)
	20dB (input impedance)
Fidelity (1kHz)	20dB (input impedance)
	20dB (input impedance)
Low noise	20dB (input impedance)
	20dB (input impedance)
Circuitry (1kHz)	20dB (input impedance)
	20dB (input impedance)
AMP (1kHz)	20dB (input impedance)
	20dB (input impedance)

① Speaker: 1000Hz, 1000mV, 1000mV, 1000mV, 1000mV



2.ASSEMBLY PART LIST

R/N	P/N	PART NAME	DESCRIPTION	QUA
1	088-127600000	LOAD MAIN PCB		1
2	088-127600100	LOAD AMPLIFIER PCB	PM700	1
3	088-127600200	LOAD IN/OUT PCBA		1
4	088-127600220	LOAD ECHO PCB		1
5	088-127600380	OUTPUT PCB	PM700	1
6	088-132600000	LOAD POWER PCB	SVP-15PB	1
7	031-2200512121	FUSE	50T040H	1
8	041-203300000	POWER SWITCH	BR-22C-11L	1
9	050-0111070111	FUSE HOLDER	R3-11 5*20	1
10	055-3004150133	GROUP WIRE	4P PH=2.54mm AWG24	1
11	055-3006200201	GROUP WIRE	6P 1007#24/1533#26 200mm	1
12	055-3603200211	GROUP WIRE	200mm L=130mm	1
13	060-4180450513A	WHITE WIRE	UL1617 AWG18 450mm	1
14	060-4220450311	BLUE WIRE	UL1617 AWG22 450mm	1
15	062-5318000440	POWER CABLE	PHP304R/SJAWG1.8	1
16	071-110000000	CABLE TIE	100MM YJ-100	5
17	083-008000000	FAN	C585HR10N8210 R17M8025B	1
18	083-012250000	FAN	40*40*10MM DC12V	1
19	212-1251000001	BOTTON(GREY)	STEREO	5
20	212-1251000002	BOTTON(GREY)	LED	1
21	215-1251000011	KNOB	BLACK/WEIGH GREY	14
22	215-1251000031	KNOB	BLACK/GREY	19
23	215-1251000041	KNOB	BLA CK/RED	9
24	215-1251000051	ECHO KNOB	BLACK/WEIGH GREY	1
25	226-3800601111	RUBBER FOOT	BLACK 38*5.4*15.6T	4
26	230-1001800001	PROTECTOR CORNER	BLACK ABS	8
27	238-1069010001	GRILL	WC06901P	1
28	307-1300550291	CLAMB COPPER POST	M3 L=29mm	3
29	307-2300601501	COPPER POST	M3 *15	14
30	307-3000602401	COPPER POST	M3 6*24	1
31	309-1276000011	MAIN FRAME	220-240V	1
32	310-1069010001	GRILL(FAN)	FG-08	1
33	344-1276000001	CABINET	with carpet	1
34	350-1200180000	HANDLE	D=180MM	1
35	406-0880880911	FOAM CORNER		8
36	408-1276000001	CARTON	528.5*332*283.5mm	1
37	416-1276000001	OPERATOR MANUAL	CHINESE	1
38	500-3050240300A	NUT	M3 Zn	8
39	500-4070320300A	NUT	M4 Zn	5
40	513-4010120800A	WASHER	4*12*1T BZN	4

PM-700

2.ASSEMBLY PART LIST

41	517-400000800A	SPRING WASHER	M4 BZn	5
42	520-3008080130	RUBBER WASHER	WS 3-8*0.8mm	1
43	524-3003080812A	SCREWS	SK(+)*3*8DA H BZN	14
44	524-3022080811A	SCREWS	SK(+)*3*8 MC H BZn	14
45	526-3022160811A	SCREWS	SB(+)*3*16 MC H BZn	4
46	534-4001120801A	SCREWS	MK(+)*4*12 BZn D	2
47	534-4001300801A	SCREWS	MK(+)*4*30 D	6
48	534-4001350801A	SCREWS	MK(+)*4*35 D	4
49	537-3001060801A	SCREWS	MP(+)*3*6 BZn D	11
50	537-3001120801A	SCREWS	MP(+)*3*12 BZn D	5
51	537-4001080801A	SCREWS	MP(+)*4*8 BZn D	3
52	537-4001120801A	SCREWS	MP(+)*4*12 BZn D	5
53	537-4001260801A	SCREWS	MP(+)*4*26 BZN D	2
54	553-3002127061A	SCREWS	3*12TA H ϕ 7	4
55	553-4001208061A	SCREWS	4*20TA H BZn	4
56	553-4002168061A	SCREWS	4*16TA H	32
57	830-0122140801	MAGNET RING	ϕ 22* ϕ 14*8mm	1

PM-700

3.ELECTRONIC PARTS LIST

R/N	P/N	PART NAME	DESCRIPTION	QUA
	088-127600000	PM700 MAIN PCB		1
1	001-1000103050	RESISTOR	10ohm 1/8W J	20
2	001-1001103050	RESISTOR	100ohm 1/8W J	1
3	001-1002103050	RESISTOR	1K 1/8W J	6
4	001-1003103050	RESISTOR	10K 1/8W J	17
5	001-1004103050	RESISTOR	100K 1/8W J	6
6	001-1103203010	RESISTOR	11K 1/8W F	1
7	001-1201103050	RESISTOR	120ohm 1/8W J	1
8	001-1201203010	RESISTOR	120ohm 1/8W 1%	1
9	001-1204103050	RESISTOR	120K 1/8W J	2
10	001-1801203010	RESISTOR	180ohm 1/8W 1%	2
11	001-1803103050	RESISTOR	1/8W 18K J	24
12	001-2003103050	RESISTOR	20K 1/8W J	11
13	001-2201103050	RESISTOR	220ohm 1/8W J	3
14	001-2201105050	RESISTOR	220ohm 1/4W J	2
15	001-2201203010	RESISTOR	220ohm 1/8W F	1
16	001-2202103050	RESISTOR	2.2K 1/8W J	2
17	001-2202203010	RESISTOR	2.2K 1/8W F	12
18	001-2203103050	RESISTOR	22K 1/8W J	2
19	001-2204103050	RESISTOR	220K 1/8W J	1
20	001-2702103050	RESISTOR	2.7K 1/8W J	1
21	001-2703103050	RESISTOR	27K 1/8W J	1
22	001-3302103050	RESISTOR	3.3K 1/8W J	2
23	001-3303103050	RESISTOR	33K 1/8W J	7
24	001-3901203010	RESISTOR	390ohm 1/8W F	1
25	001-3903103050	RESISTOR	39K 1/8W J	3
26	001-4701103050	RESISTOR	470ohm 1/8W J	5
27	001-4702103050	RESISTOR	4.7K 1/8W J	1
28	001-4702203010	RESISTOR	4.7K 1/8W F	14
29	001-5101103050	RESISTOR	510ohm 1/8W J	1
30	001-5601103050	RESISTOR	560ohm 1/8W J	3
31	001-5602103050	RESISTOR	5.6K 1/8W J	14
32	001-6202203010	RESISTOR	6.2K 1/8W F	2
33	001-6801103050	RESISTOR	680ohm 1/8W J	1
34	001-6802103050	RESISTOR	6.8K 1/8W J	2
35	001-7200203010	RESISTOR	72ohm 1/8W 1%	1
36	001-8202103050	RESISTOR	8.2K 1/8W J	5
37	001-8202203010	RESISTOR	8.2K 1/8W F	12
38	006-1001051143	CAPACITOR	10uF 25V K	4
39	006-2204051143	CAPACITOR	22 μ F 25V	22
40	006-4704051143	CAPACITOR	47 μ F 25V	7
41	006-4711080803	CAPACITOR	470uF 6.3V 10%	6
42	008-2701005015	CAPACITOR	270PF 50V 10% T=5	1
43	009-1001007000	CAPACITOR	10PF 100V 10%	2
44	009-1010507000	CAPACITOR	100P-50V 10%	22
45	009-1530507110	CAPACITOR	15n 50V 10%	1

PM-700

3.ELECTRONIC PARTS LIST

46	009-2210507000	CAPACITOR	220P-50V-10%	3
47	009-2220507000	CAPACITOR	0.0022UF/50V K	7
48	009-2700507000	CAPACITOR	27P 50V 10%	7
49	009-3300507000	CAPACITOR	33PF 50V K	8
50	009-3330507000	CAPACITOR	0.033 μ F 50V K	7
51	009-4700507000	CAPACITOR	47P 50V 10%	1
52	011-2251602220	CAPACITOR	2.2 μ F 16V 20%	2
53	013-1220110501	CAPACITOR	1200P-50V5%	1
54	013-1240210502	CAPACITOR	120NF 63V5%	2
55	013-3340311004	CAPACITOR	0.33 μ 100V(R60) J	1
56	013-3930210501	CAPACITOR	39N 63V J	1
57	013-8240210504	CAPACITOR	820NF 63V 5%	1
58	014-1020100002	CAPACITOR	0.001 UF 50V 5%	7
59	014-1030100002	CAPACITOR	0.01UF 50V 5%	14
60	014-1030211028	CAPACITOR	10nF 63V 10%	4
61	014-1030300002	CAPACITOR	103-100V-J	11
62	014-1040100001	CAPACITOR	100NF/50V-J	2
63	014-2720100032	CAPACITOR	AMZV0050 J 272	1
64	014-2730300001	CAPACITOR	27N-100V-J	1
65	014-4710100002	CAPACITOR	470PF/50V J	26
66	014-5610100002	CAPACITOR	560P 50V 5%	1
67	017-0460000000	IC	LM339N	2
68	017-1010000000	IC	NJM4558L	12
69	017-3050000000	IC	M5229P BRAND: MITSUBISHI	1
70	018-0302240115	TRANSISTOR	2SC2240BL TO-92	12
71	018-1400557115	AUDION	BC557B PNP CBO TO-92	1
72	019-0311122001	LED	RED 204HD/E-A	3
73	019-0322122001	LED	GREEN 204GD/E-A	5
74	020-2032111115A	POTENTIOMER	RK09K113Z028 20KB	2
75	020-2033112521	POTENTIOMER	20K W*2(C.C)20MM	7
76	020-5032111115A	POTENTIOMER	G7085078M 50KB	14
77	020-5032120015A	POTENTIOMER	50KA	26
78	040-1400000000	SWITCH	JPS2281EA	6
79	043-1900000000	SWITCH	SW 8POS L=15mm	1
80	053-1276001600	PCB	402*196mm	1
81	055-4208100344	GROUP WIRE	8PIN PH=2.5mm L=100mm	4
82	055-4212100344	GROUP WIRE	2PIN PH=2.5mm L=100mm	1
83	056-4206220000	CONNECTOR	connect to JS-1135R-06	1
84	057-2541411051	GROUP PIN	5Pin PH=2.54	1
85	057-2541421161	GROUP PIN	16Pin PH=2.54	1
86	067-1104148000	DIODE	IN4148	18
87	067-2204001000	DIODE	IN4001	1
88	222-0120503011	LED HOLDER	LED-12	7
89	222-0850402511	LED HOLDER	LEDS-8.5	1
90	223-0630121701	PLASTIC COPPER POST	M3.0 L=17.0mm	3

PM-700

3.ELECTRONIC PARTS LIST

91	537-3001060801A	SCREWS	MP(+) 3^*6 BZnD	6
	088-1276001000	load amplifier pcb	PM700	1
1	001-0470308050	RESISTOR	4.7ohm 2W J	1
2	001-1001105050	RESISTOR	100ohm 1/4W J	5
3	001-1002105050	RESISTOR	1K 1/4W J	4
4	001-1003105050	RESISTOR	10K 1/4W J	7
5	001-1004105050	RESISTOR	100K 1/4W J	2
6	001-1005105050	RESISTOR	1M 1/4W J	1
7	001-1009105050	RESISTOR	1ohm 1/4W J	4
8	001-1501105050	RESISTOR	150ohm 1/4W J	2
9	001-2002105050	RESISTOR	2K 1/4W J	1
10	001-2202105050	RESISTOR	2.2K 1/4W J	3
11	001-2203105050	RESISTOR	22K 1/4W J	2
12	001-2204105050	RESISTOR	220K 1/4W J	1
13	001-2703105050	RESISTOR	27K 1/4W J	1
14	001-2704105050	RESISTOR	270KY4	2
15	001-3300105050	RESISTOR	33ohm 1/4W J	1
16	001-3303105050	RESISTOR	33K 1/4W J	4
17	001-3902105050	RESISTOR	3.9K 1/4W J	2
18	001-3903105050	RESISTOR	39K 1/4W J	1
19	001-4709107050	RESISTOR	4.7ohm 1W J	3
20	001-6801105050	RESISTOR	680ohm 1/4W J	1
21	001-6802105050	RESISTOR	6.8K 1/4W J	3
22	003-0229910050	RESISTOR	BPR55F R22J	2
23	004-3312000000	RESISTOR	NTC 10K	1
24	004-6609000000	OPTICAL RESISITOR	3-11K	1
25	006-0224051163	CAPACITOR	2.2 μ F 50V M	1
26	006-1001051163	CAPACITOR	10uF 50V 10%	2
27	006-1004061193	CAPACITOR	10 μ F 100V UL	1
28	006-1011061143	CAPACITOR	100uF 25V 10%	5
29	006-1014081463	CAPACITOR	100 μ F 50V 20%	2
30	006-2201051163	CAPACITOR	22uF 50V 10%	1
31	006-4794051173	CAPACITOR	4.7uF 63V	3
32	008-1004010017	CAPACITOR	104-100V-Z	2
33	008-1512050004	CAPACITOR	151/500V 10%	3
34	008-2201050004	CAPACITOR	22P/500V 10%	2
35	014-1520300002	CAPACITOR	152-100V-J	1
36	014-4730300001	CAPACITOR	47N-100V-J	1
37	018-0101492116	POWER TRANSISTOR	2SA1492 TO-3P	2
38	018-0101859113	AUDION	2SA1859A	1
39	018-0303856116	POWER TRANSISTOR	2SC3856 TO-3P	2
40	018-0304883113	AUDION	2SC4883A	2
41	018-1900340113	AUDION	MJE340 TO-126	1
42	018-2800112115	FIELD EFFECT TRANSISTOR	J112 TO-92	2
43	018-2905401115	AUDION	2N5401 TO-92	6
44	018-2905551115	AUDION	2N5551 TO-92	6
45	018-4200042115	AUDION	MPSW42	1

PM-700

3.ELECTRONIC PARTS LIST

46	018-4200092115	AUDION	MPSW92	1
47	019-0315132000	LED	RED	1
48	020-1022210017	POTENTIOMER	T805SC-B1K	1
49	026-2794103170	INDUCTANCE	2.7uH	1
50	053-1326001110	PCB	128*75mm	1
51	056-0102220000	CONNECTOR	JS-4001-02	1
52	056-0103220000	CONNECTOR	JS-4001-03	1
53	056-3106220000	CONNECTOR	JS1135-06	1
54	056-4102220000	CONNECTOR	connect to JS-1001-02	1
55	056-4104221100	CONNECTOR	DJ2802-4P	1
56	067-1104148000	DIODE	IN4148	5
57	067-2204004000	DIODE	IN4004	3
58	067-3304744000	MANASTAT	IN4744A 15V-1W	1
59	067-3305232000	MANASTAT	5.6V 1/2W IN5232	1
60	067-3305235000	MANASTAT	6.8V 1/2W IN5235	1
61	306-1276000001	RADIATOR		1
62	513-3005050800A	WASHER	3.2*5*0.5T BZn	7
63	513-3006080300A	WASHER	3*6*0.8T Zn	8
64	517-300000300A	SPRING WASHER	M3 Zn	8
65	517-300000800A	SPRING WASHER	M3 BZn	7
66	537-3001120801A	SCREWS	MP(+)*3*12 BZn D	8
67	537-3001160801A	SCREWS	MP(+)*3*16 BZn D	7
	088-1276002000	PM700 IN/OUT PCBA		1
1	001-1000103050	RESISTOR	10ohm 1/8W J	12
2	001-1003103050	RESISTOR	10K 1/8W J	8
3	001-1004103050	RESISTOR	100K 1/8W J	14
4	001-1803103050	RESISTOR	1/8W 18K J	6
5	001-2702103050	RESISTOR	2.7K 1/8W J	8
6	001-4702103050	RESISTOR	4.7K 1/8W J	8
7	001-4704103050	RESISTOR	470K 1/8W J	2
8	006-1001051143	CAPACITOR	10uF 25V 10%	26
9	006-2204051143	CAPACITOR	22µ F 25V	4
10	008-1003005004	CAPACITOR	103-Y5P-50V-J	4
11	009-1001007000	CAPACITOR	10PF 100V 10%	2
12	009-1010507000	CAPACITOR	100P-50V 10%	2
13	017-1010000000	IC	NJM4558L	2
14	048-1700000000	CONNECTOR	NYS139 K3Y1	6
15	049-2102224111	PHONE SOCKET	JY6351-02-250	15
16	051-0500000000	CONNECTOR	RCA JK0200560N	2
17	056-4108000000	CONNECTOR	XH-8P	4
18	056-4112000000	CONNECTOR	XH-12P	1
	088-1276002200	LOAD ECHO PCB		1
1	001-1000103050	RESISTOR	10ohm 1/8W J	1
2	001-1001510050	RESISTOR	100ohm 5W J	1
3	001-1002103050	RESISTOR	1K 1/8W J	4
4	001-1003103050	RESISTOR	10K 1/8W J	7
5	001-1004103050	RESISTOR	100K 1/8W J	3

PM-700

3.ELECTRONIC PARTS LIST

6	001-1103103050	RESISTOR	11K 1/8W J	2
7	001-1503103050	RESISTOR	15K 1/8W J	2
8	001-2201103050	RESISTOR	220ohm 1/8W J	3
9	001-2701103050	RESISTOR	270ohm 1/8W J	1
10	001-3002103050	RESISTOR	3K 1/8W J	1
11	001-4702103050	RESISTOR	4.7K 1/8W J	10
12	001-5602103050	RESISTOR	5.6K 1/8W J	1
13	001-6202103050	RESISTOR	6.2K 1/8W 5%	1
14	006-1004051143	CAPACITOR	10 μ F 25V	4
15	006-1004051163	CAPACITOR	10 μ F 50V 20%	1
16	006-1014061133	CAPACITOR	100uF 16V 6*11	2
17	006-2204051143	CAPACITOR	22 μ F 25V	9
18	006-4704051133	CAPACITOR	47 μ F 16V	1
19	006-4714102154	CAPACITOR	470 μ F 35V 20%	1
20	006-4794051133	CAPACITOR	4.7uF 16V	6
21	008-1003005015	CAPACITOR	103/50V M	1
22	008-3302005017	CAPACITOR	3300PF 50V Z5U	1
23	008-3902005017	CAPACITOR	3900PF 50V Z5U	1
24	008-5601005017	CAPACITOR	560K 50V	2
25	009-1040507110	CAPACITOR	100nF 50V 10%	22
26	009-2200507110	CAPACITOR	22P-50V-10%	2
27	009-2211007110	CAPACITOR	220P-100V-10%	2
28	009-4711007110	CAPACITOR	470P-100V-10%	1
29	014-8230100001	CAPACITOR	82NF/50V-J	2
30	017-0150000000	IC	PT2399	1
31	017-0160000000	IC	NJM4558D	1
32	017-0650000000	IC	TL072(CN)	2
33	017-0950000000	IC	LM7805T/CV (1.0A)	2
34	017-1020000000	IC	CD4053BCN	1
35	017-3020000001	IC	AL1101	1
36	017-3030000001	IC	AL3201	1
37	017-3040000001	IC	AL1201	1
38	053-1276001622A	EHCO PCB	PM700 126*61mm	1
39	056-4105000144	CONNECTOR	PH=2.54mm H=8.5mm	1
40	056-4116000144	CONNECTOR	PH=2.54mm H=8.5mm	1
41	059-1228802111	CRYSTAL	12.288MHz 20pf 20PPM	1
42	067-1104148000	DIODE	IN4148	1
	088-1276003800	LOAD OUTPUT PCB	PM700	1
1	049-1304113124	PHONE SOCKET	LS-2036	2
2	053-1249001338	PCB	57.6*27mm	1
3	055-0402220322	GROUP WIRE	1JS5001/-02/220	1
4	056-0102660000	CONNECTOR	3.96-2P	1
5	060-0180000411	WIRE	UL1015 AWG18 BLACK	1
6	060-0180000511	WIRE	UL1015 AWG18 WHITE	1
	088-1326000000	LOAD POWER PCB	SVP-15PB	1
1	001-0109510050	RESISTOR	0.1ohm 5W J	1
2	001-1000103050	RESISTOR	10ohm 1/8W J	2
3	001-1003103050	RESISTOR	10K 1/8W J	7

PM-700

3.ELECTRONIC PARTS LIST

4	001-1502103050	RESISTOR	1.5K 1/8W J	1
5	001-2200103050	RESISTOR	22ohm 1/8W J	4
6	001-2203103050	RESISTOR	22K 1/8W J	2
7	001-2702103050	RESISTOR	2.7K 1/8W J	1
8	001-3303209050	RESISTOR	33K 2W	2
9	001-4709107050	RESISTOR	4.7ohm 1 W J	1
10	001-6801103050	RESISTOR	680ohm 1/8W J	1
11	004-3307000000	NTC RESISTOR	10D-20	2
12	004-3312000000	NTC RESISTOR	10K	1
13	006-0224051163	CAPACITOR	2.2 μ F 50V 20%	1
14	006-1014061133	CAPACITOR	100U16V 6*11	5
15	006-1024184183	CAPACITOR	1000UF/80V 18*41	2
16	006-1024304103	CAPACITOR	1000UF/200V 30*41	2
17	006-4704051143	CAPACITOR	47 μ F 25V	1
18	006-4711102053	CAPACITOR	470uF 35V 10% 10*20mm	3
19	006-4794051133	CAPACITOR	4.7U16V	2
20	008-1004027505	SAFETY CAPACITOR	0.1UF/275V	2
21	008-1021040005	CAPACITOR	102PF 400V M	3
22	008-2200005004	CAPACITOR	22P-50V-J	1
23	008-3304025005	SAFETY CAPACITOR	P334/275VAC 20%	1
24	009-2240507110	CAPACITOR	224 50V 20%	1
25	009-3900507000	CAPACITOR	39P 50V 10%	1
26	014-1050411006	CAPACITOR	1UF/250V 10%	1
27	014-1520300002	CAPACITOR	152-100V-J	1
28	017-0190000000	IC	NJM7815FA	2
29	017-0950000000	IC	LM7805T/CV (1.0A) TO-220	1
30	017-1830000000	IC	KIA7915	1
31	017-3310000000	IC	DT5188A	1
32	018-0501482115	DIODE	K1482 NEC	2
33	018-2905401115	AUDION	2N5401 TO-92	1
34	018-2905551115	AUDION	2N5551 TO-92	1
35	018-4400740111	FIELD EFFECT TRANSISTOR	IRF740	2
36	022-1035043250	TRANSFORMER	AC 240V EI35*13MM	1
37	022-3000041188	TRANSFORMER	SVP 15/18	1
38	022-3000041189	TRANSFORMER	SVP15/18	2
39	026-3033004000	INDUCTANCE	20mH	2
40	034-3332000205	BRIDGE	WO2M 200V 1.5A	1
41	053-1276001304	PCB	175*80*1.6T REV.E	1
42	056-0103220000	CONNECTOR	JS-4001-03	1
43	056-4102220000	CONNECTOR	connect to JS-1001-02	1
44	056-4104221100	CONNECTOR	DJ2802-4P	1
45	060-0180040012	WIRE	18#,1015,L=40mm	1
46	060-0180100012	WIRE	18#,1015,L=100mm	1
47	067-1104148000	DIODE	IN4148	1
48	067-2200303000	DIODE	HER303	2
49	067-2201620000	DIODE	H16C20C	1
50	067-2201620001	DIODE	H16C20A	1
51	067-2204004000	DIODE	IN4004	2

PM-700

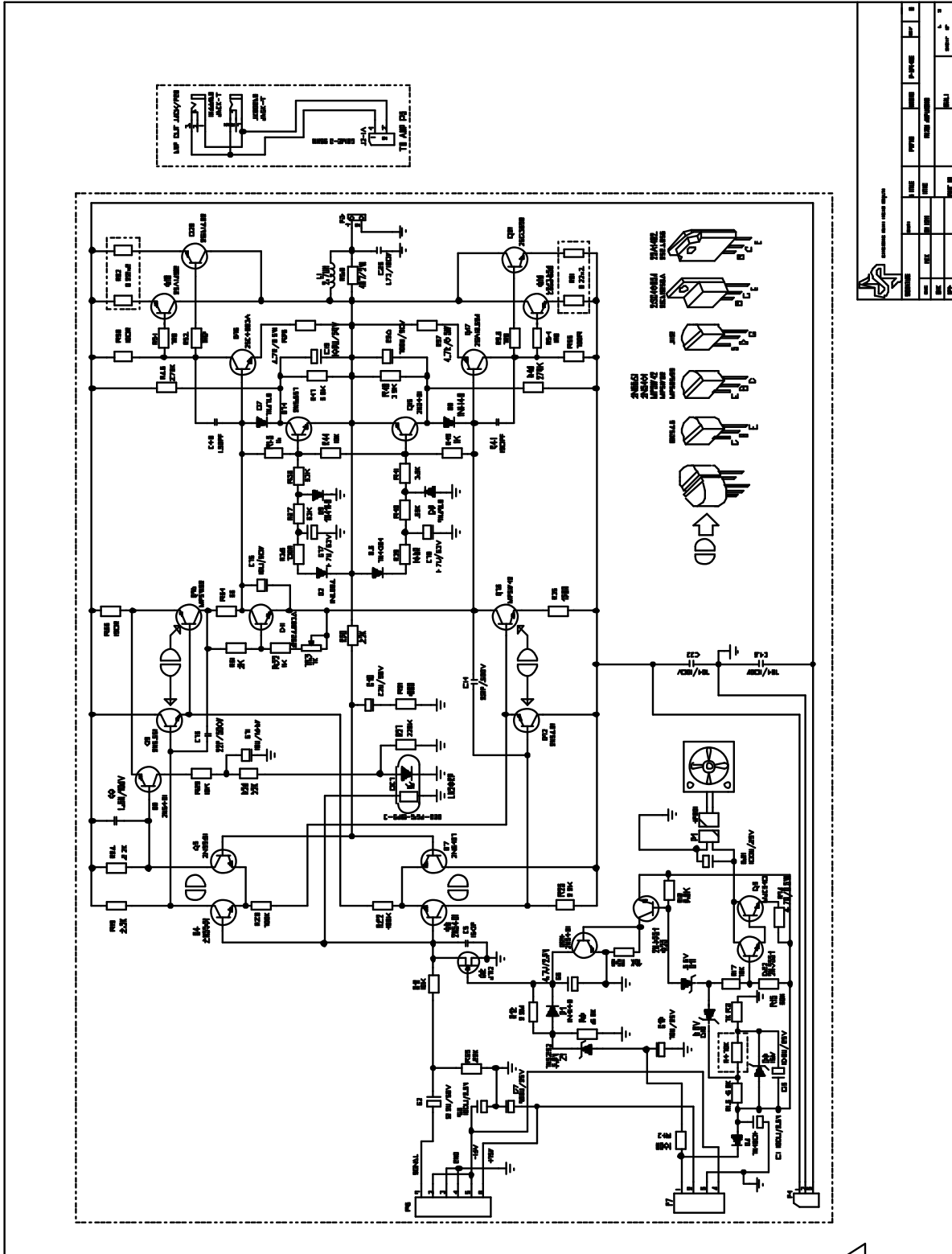
3.ELECTRONIC PARTS LIST

52	067-2205408000	DIODE	IN5408	4
53	067-3304744000	MANASTAT	IN4744A 15V-1W	2
54	067-3305235000	MANASTAT	6.8V 1/2W IN5235	1
55	071-1100000000	CABLE TIE	100MM YJ-100	2
56	082-0100000000	LIGHT ELECTRIC COMPONENT	PC-17T1	1
57	277-0010000000	CRYSTAL MAT	TW-1	6
58	306-1334000001	LEFT RADIATOR		1
59	306-1334000002	RIGHT RADIATOR		1
60	324-0180130100	MICA	TO-220 18*13MM	2
61	500-3050240300A	NUT	M3 Zn	6
62	513-3005050800A	WASHER	3.2*5*0.5T BZn	6
63	513-3006080300A	WASHER	3*6*0.8T Zn	6
64	517-3000000300A	SPRING WASHER	M3 Zn	6
65	517-3000000800A	SPRING WASHER	M3 BZn	3
66	537-3001100801A	SCREWS	MP(+)*3*10 BZn D	6

PM-700

4. SCHEMATIC DIAGRAM

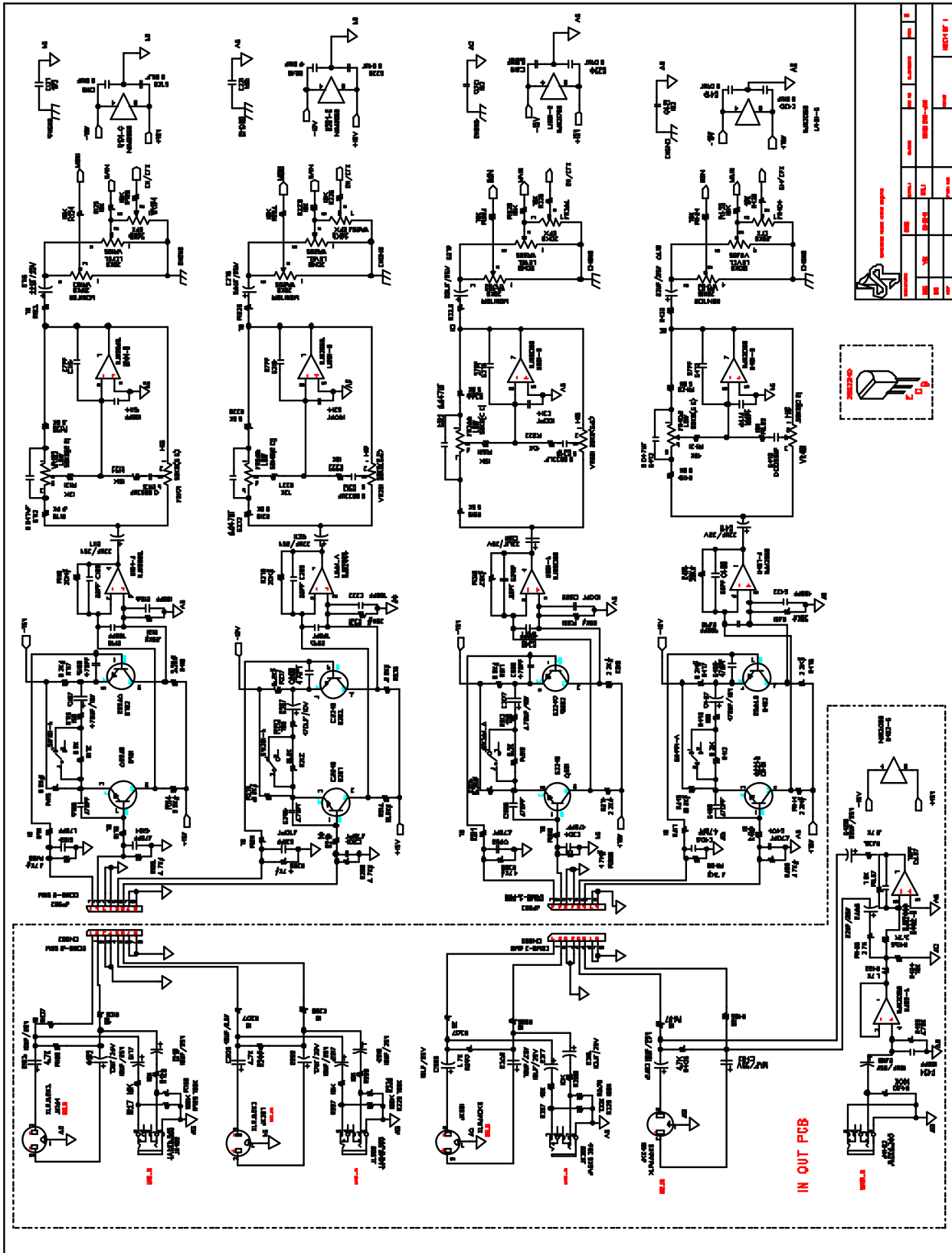
PM 700 AMP.sch-1 - Mon Sep 26 16:50:49 2005



PM-700

4. SCHEMATIC DIAGRAM

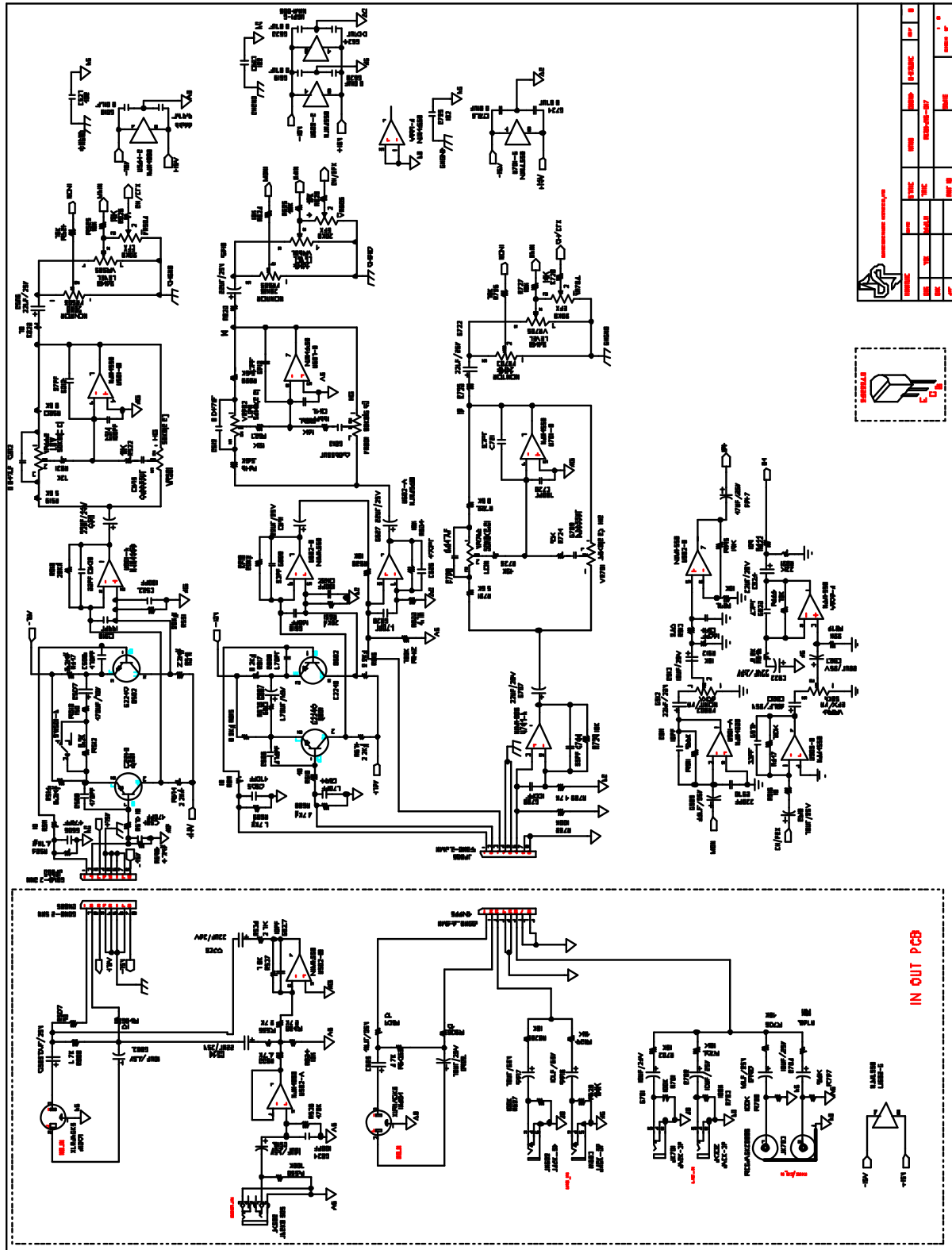
PM700.REV07.sch-1 - Mon Sep 26 16:47:03 2005



PM-700

4. SCHEMATIC DIAGRAM

PM700.REV07. sch-2 - Mon Sep 26 16:47:55 2005



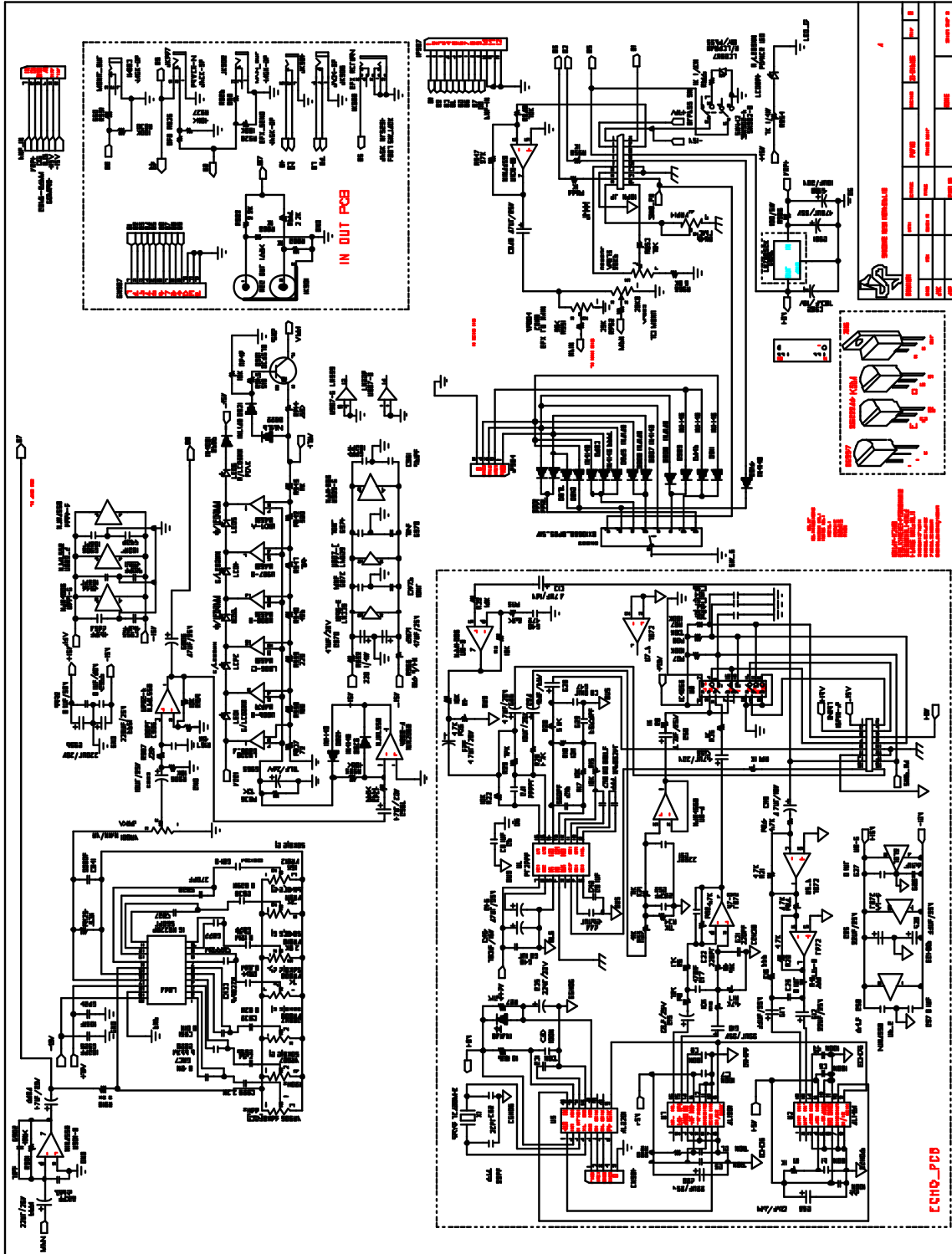
REV	DATE	BY	CHK	APP
01	05/09/05
02
03
04
05
06
07



PM-700

4.SCHEMATIC DIAGRAM

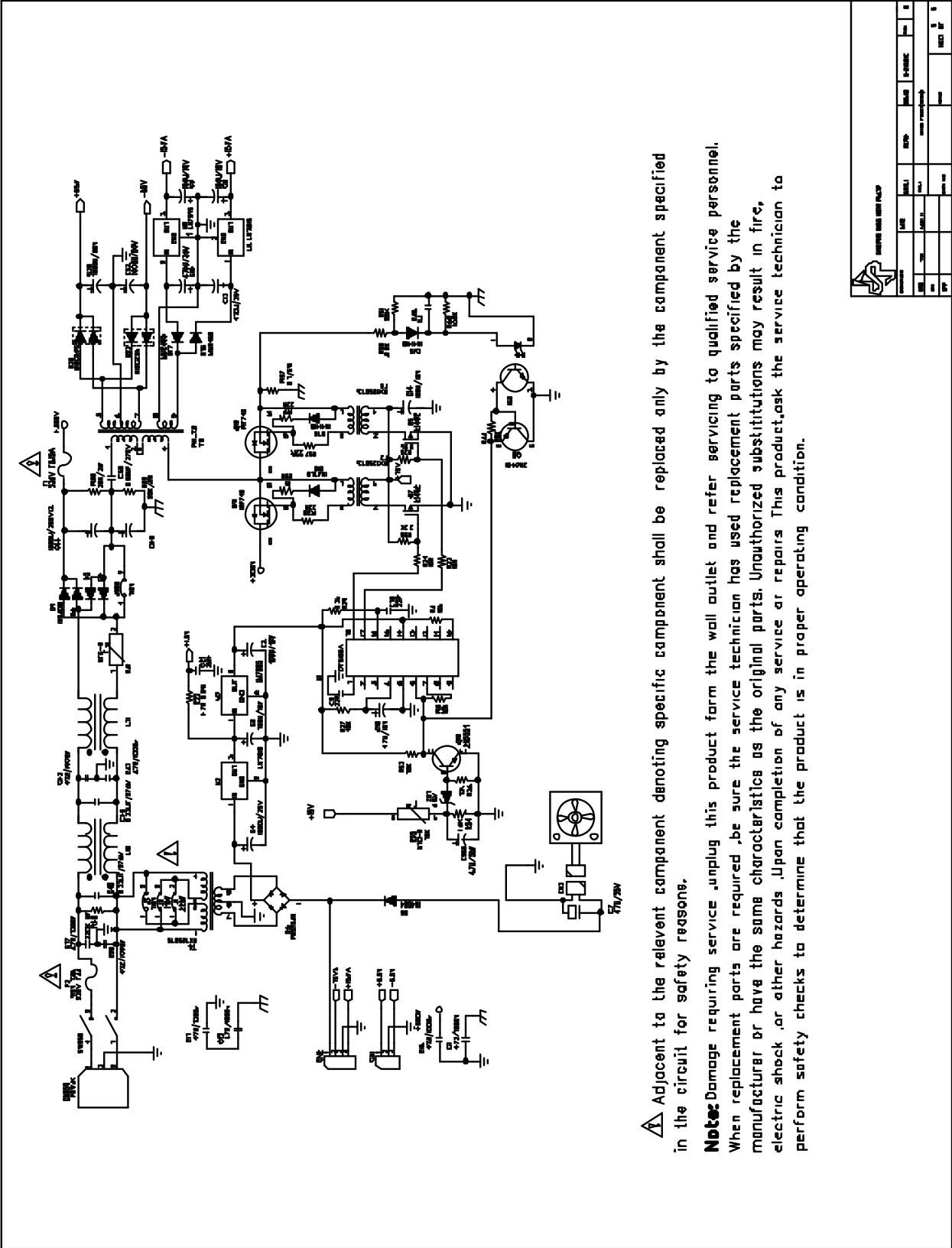
PM700.REV07.sch-3 - Mon Sep 26 16:48:27 2005



PM700

4. SCHEMATIC DIAGRAM

PM700.POWER.sch-1 - Mon Sep 26 16:52:23 2005



⚠ Adjacent to the relevant component denoting specific component shall be replaced only by the component specified in the circuit for safety reasons.

Notes: Damage requiring service unplugging this product from the wall outlet and refer servicing to qualified service personnel. When replacement parts are required, be sure the service technician has used replacement parts specified by the manufacturer or have the same characteristics as the original parts. Unauthorized substitutions may result in fire, electric shock, or other hazards. Upon completion of any service or repairs to this product, ask the service technician to perform safety checks to determine that the product is in proper operating condition.

REVISIONS				
NO.	DATE	BY	CHKD.	APP.