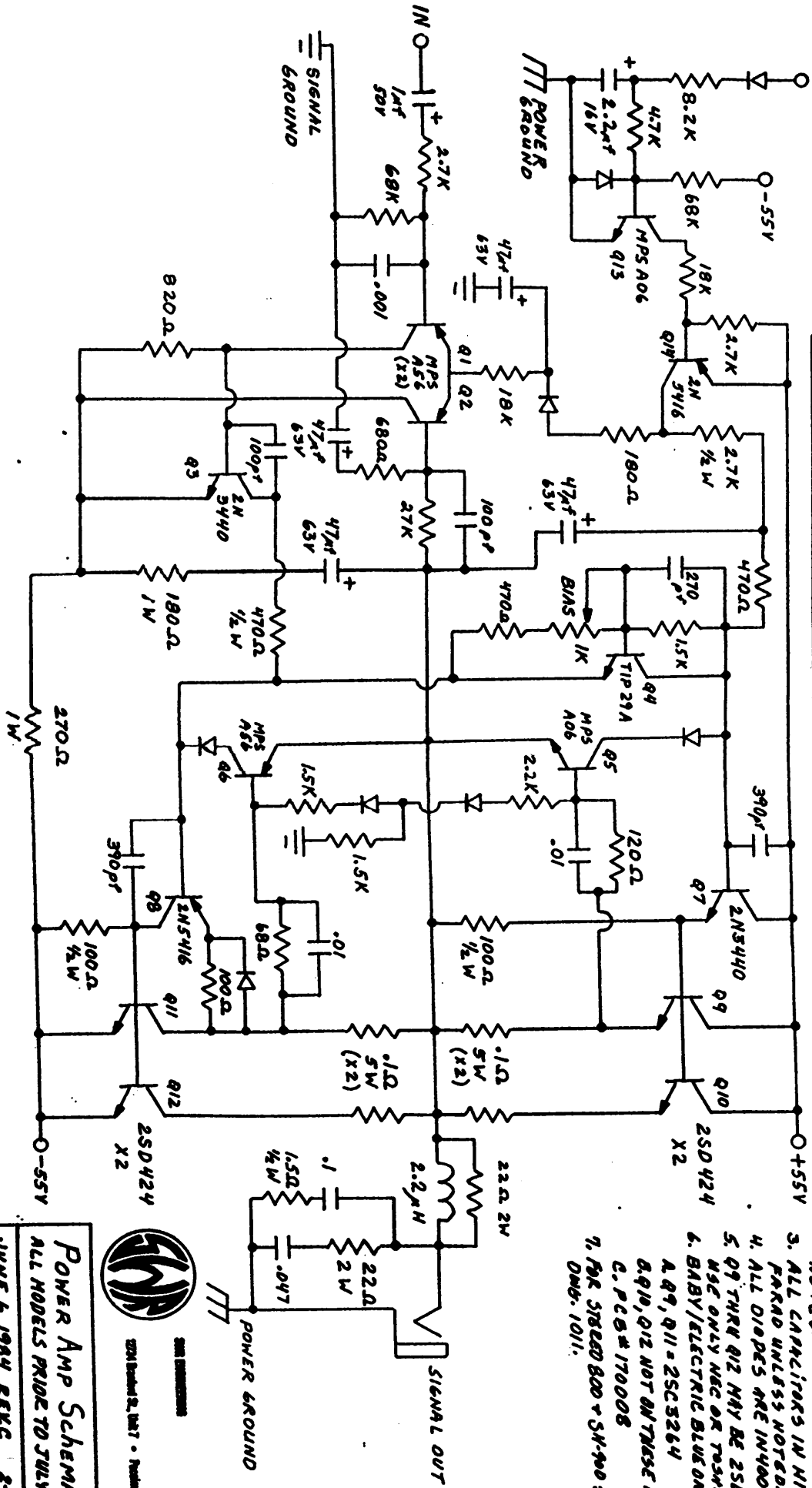


AC TERMINAL  
BRIDGE REC.

**NOTE:** FOR FOLLOWING MODELS AND SERIAL #5, USE DRAWING #1011  
 STUDIO 220 - S/N 2539 AND GREATER,  
 5M-400 - S/N 5105 " " "  
 REDHEADS - S/N 2403 " " "



- Notes:**
1. D.C. VOLTAGES FOR REDHEAD ARE 100.6 HIGHER.
  2. ALL RESISTORS 1/4 WATT UNLESS NOTED.
  3. ALL CAPACITORS IN MICRO-FARAD UNLESS NOTED.
  4. ALL DIODES ARE IN4004.
  5. Q9 THRU Q12 MAY BE 2SD555.
  6. BABY/ELECTRIC BLUE ONLY:  
 A. Q9, Q11 = 2SC5264  
 B. Q10, Q12 NOT ON THESE MODELS  
 C. PCB # 170008  
 7. FOR STREED 800 + 34-900 SEE DWG. 1011.



2201 Broadway, Dept 7 • Pomona, CA 91768

**Power Amp Schematic**  
 ALL MODELS PRIOR TO JULY, 1992  
 JUNE 6, 1984 REKC 8-5-91.  
 DESIGNED + DRAWN - S.M. RABE  
 PCB # 170002A NO. 1005