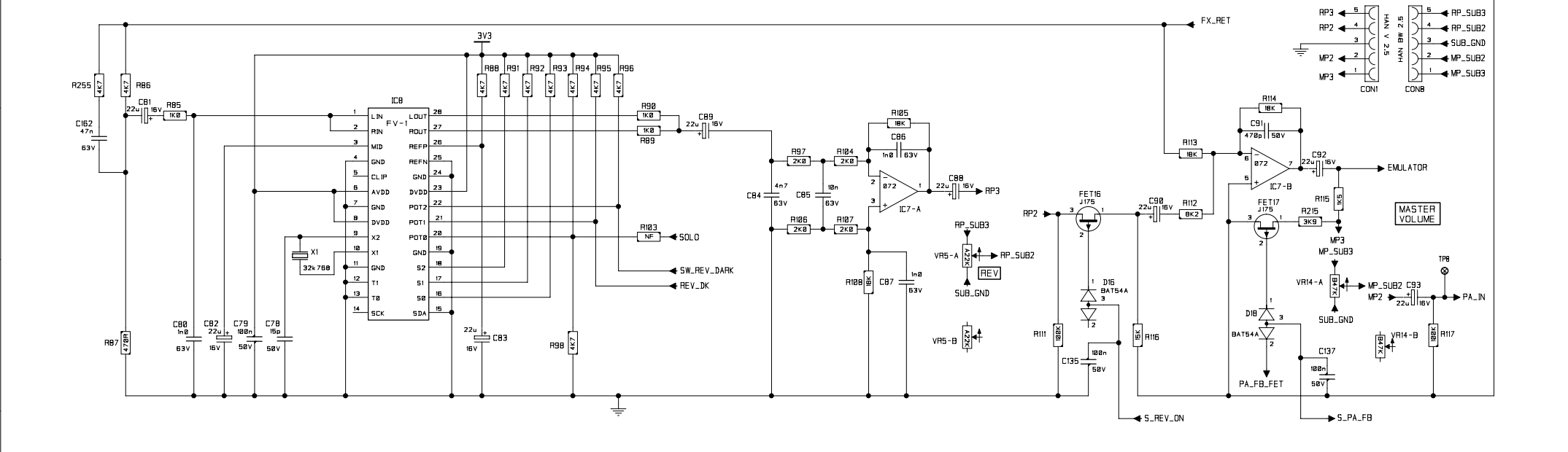
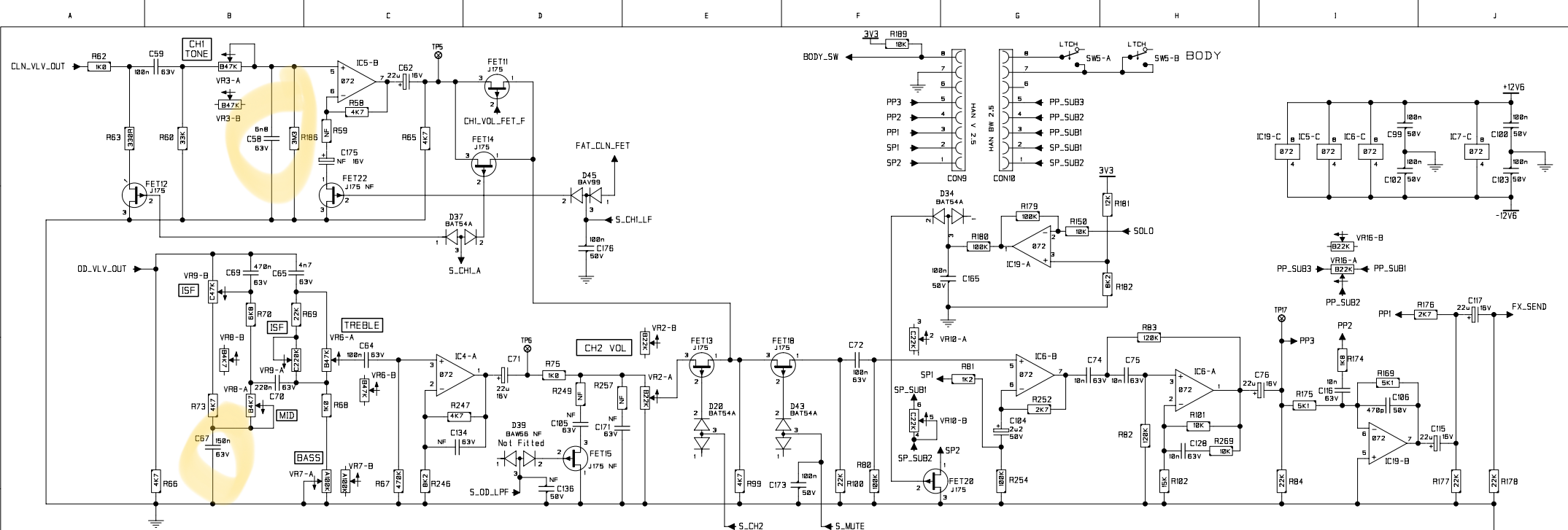


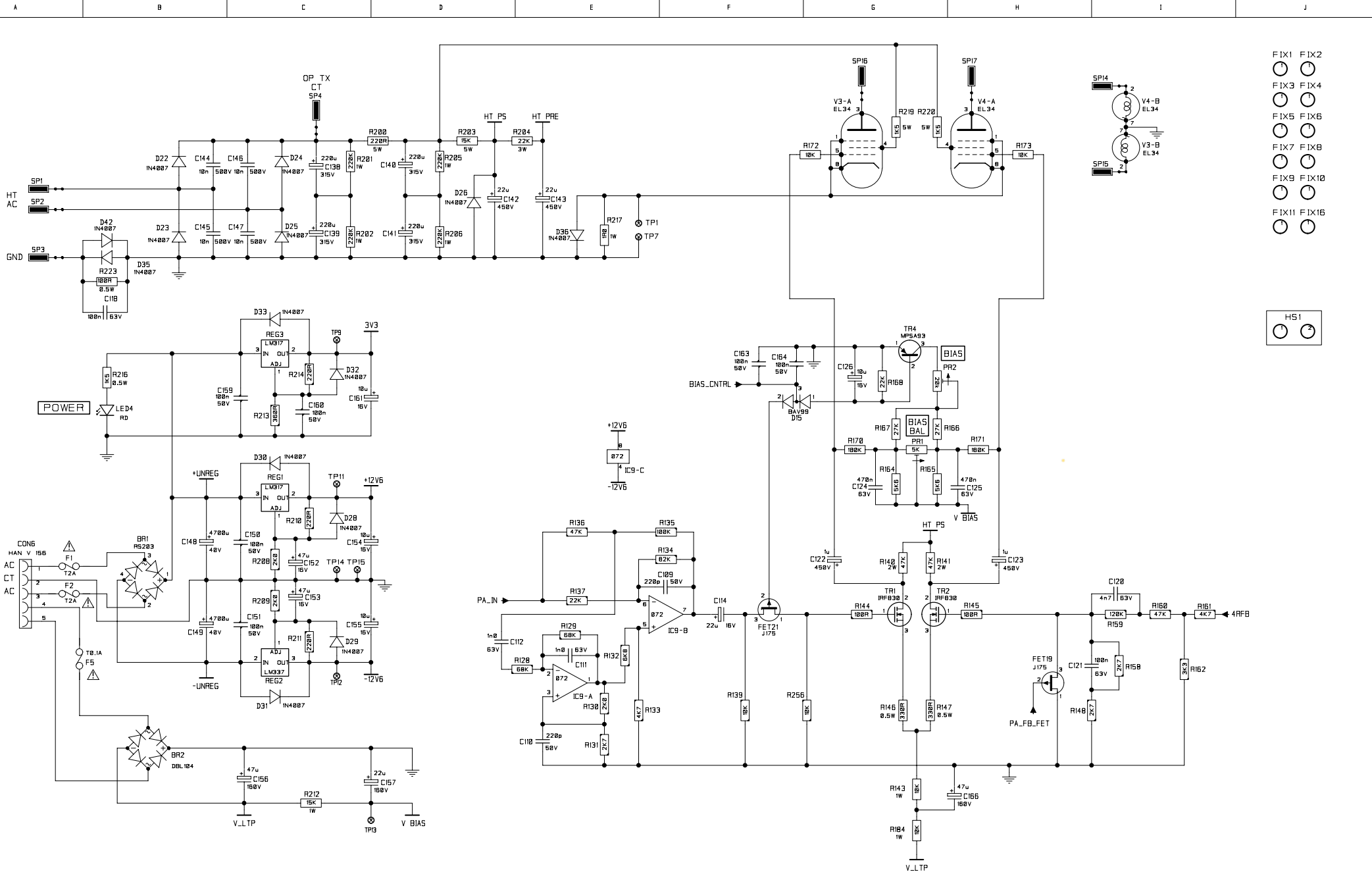
XX	CN1234	01-01-01	0XA
ISSUE	ECO No.	DATE	INITIAL

**Blackstar
AMPLIFICATION**
 COPYRIGHT EXISTS ON THIS DOCUMENT. IT MUST NOT BE USED FOR ANY PURPOSE OTHER THAN THAT FOR WHICH IT WAS SUPPLIED AND MUST NOT BE COPIED IN WHOLE OR PART WITHOUT WRITTEN PERMISSION OF BLACKSTAR AMPLIFICATION

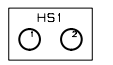
DWG No.	ISS: 1C	SHT. 1 OF 4	TITLE MAIN PCB
DRAWN BY CLIFF BROWN	DATE 07-06-10		INPUT STAGES
CHECKED BY	DATE		MODEL
APPROVED BY	DATE		HT SOLOIST 60



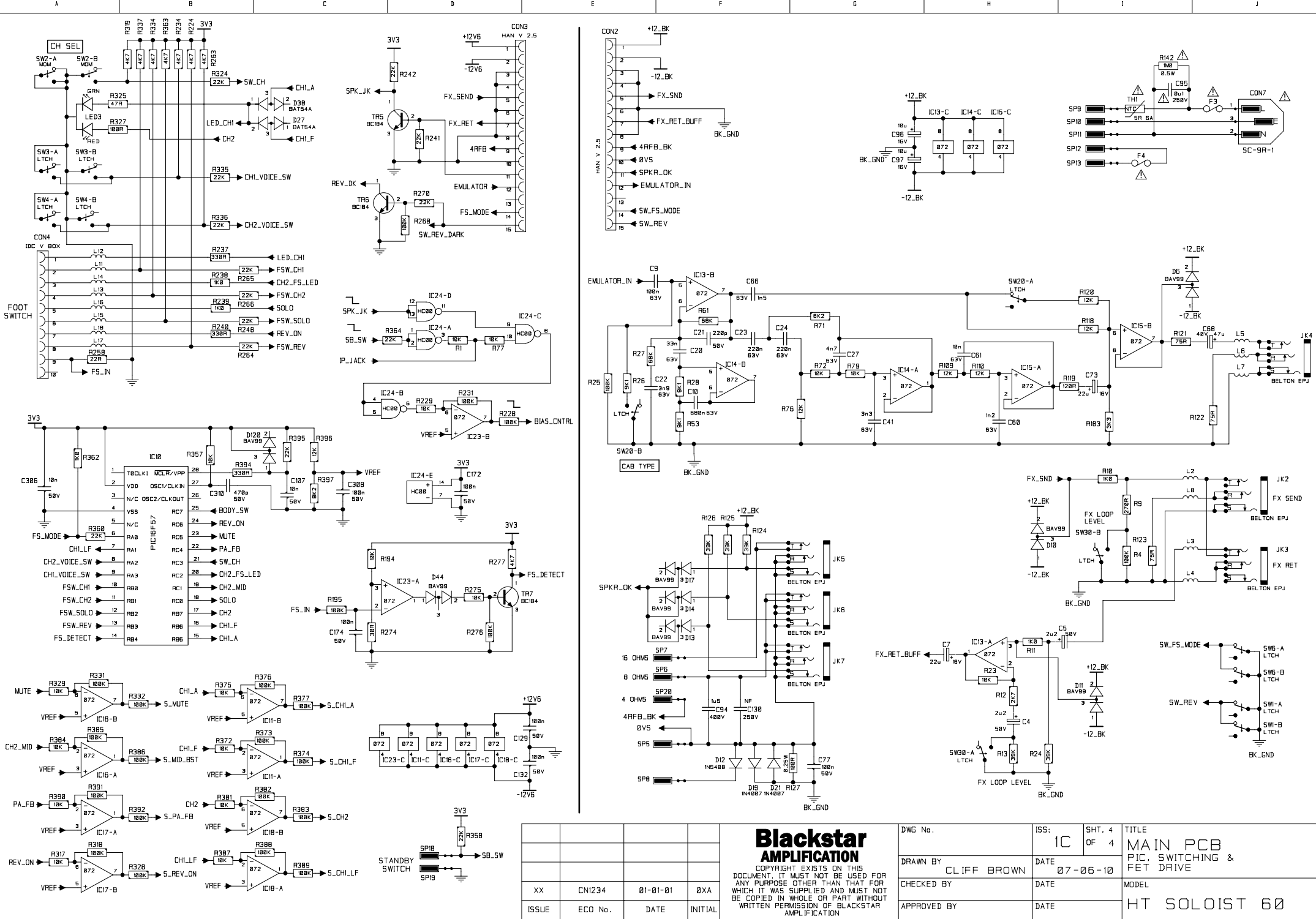
<p align="center">Blackstar AMPLIFICATION</p> <p align="center">COPYRIGHT EXISTS ON THIS DOCUMENT. IT MUST NOT BE USED FOR ANY PURPOSE OTHER THAN THAT FOR WHICH IT WAS SUPPLIED AND MUST NOT BE COPIED IN WHOLE OR PART WITHOUT WRITTEN PERMISSION OF BLACKSTAR AMPLIFICATION</p>				DWG No.	ISS:	SHT. 2	TITLE
				DATE	OF 4	MAIN PCB	
XX	CN1234	01-01-01	0XA	DRAWN BY	DATE	07-06-10	EQ & REVERB
ISSUE	ECO No.	DATE	INITIAL	CHECKED BY	DATE		MODEL
				APPROVED BY	DATE		HT SOLOIST 60



- FIX1
- FIX2
- FIX3
- FIX4
- FIX5
- FIX6
- FIX7
- FIX8
- FIX9
- FIX10
- FIX11
- FIX16



<p align="center">Blackstar AMPLIFICATION</p> <p align="center">COPYRIGHT EXISTS ON THIS DOCUMENT. IT MUST NOT BE USED FOR ANY PURPOSE OTHER THAN THAT FOR WHICH IT WAS SUPPLIED AND MUST NOT BE COPIED IN WHOLE OR PART WITHOUT WRITTEN PERMISSION OF BLACKSTAR AMPLIFICATION</p>				DWG No.	ISS: 1C	SHT. 3 OF 4	TITLE MAIN PCB
				DRAWN BY CLIFF BROWN	DATE 07-06-10	PSU & PHASE SPLITTER	
XX	CN1234	01-01-01	0XA	CHECKED BY	DATE	MODEL	
ISSUE	ECO No.	DATE	INITIAL	APPROVED BY	DATE	HT SOLOIST 60	



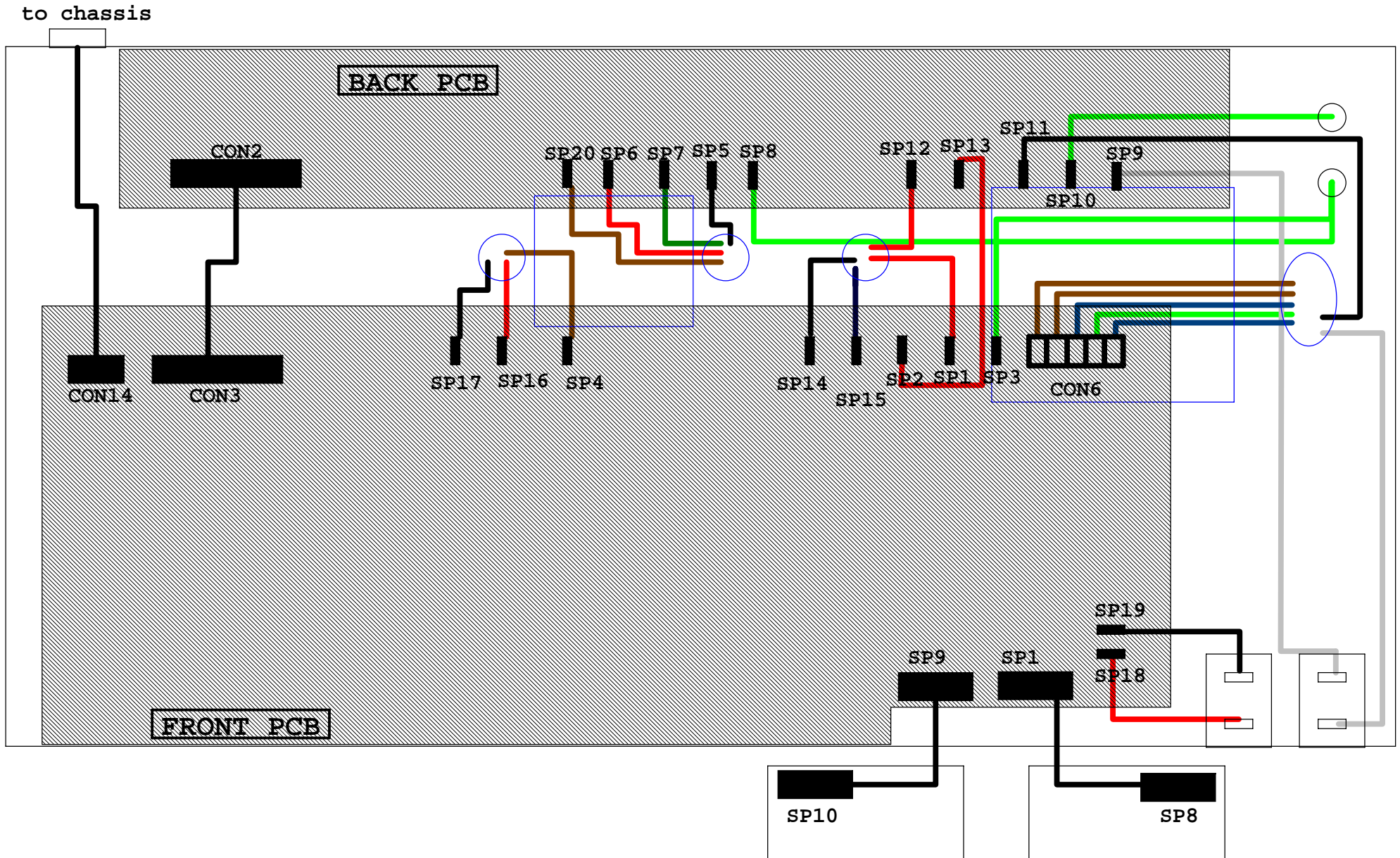
Blackstar Amplification

COPYRIGHT EXISTS ON THIS DOCUMENT. IT MUST NOT BE USED FOR ANY PURPOSE OTHER THAN THAT FOR WHICH IT WAS SUPPLIED AND MUST NOT BE COPIED IN WHOLE OR PART WITHOUT WRITTEN PERMISSION OF BLACKSTAR AMPLIFICATION

DWG No.	ISS:	SHT. 4	TITLE
CLIFF BROWN	1C	OF 4	MAIN PCB
CHECKED BY	DATE		PIC, SWITCHING & FET DRIVE
APPROVED BY	DATE		MODEL
			HT SOLOIST 60

XX	CN1234	01-01-01	0XA
ISSUE	ECO No.	DATE	INITIAL

HT SOLOIST 60 WIRE LAYOUT



Title			HT SOLOIST 60		
Size	Document Number		Rev		
A3	<Doc>		K-1		
Date:	Friday, August 13, 2010	Sheet	1	of	1