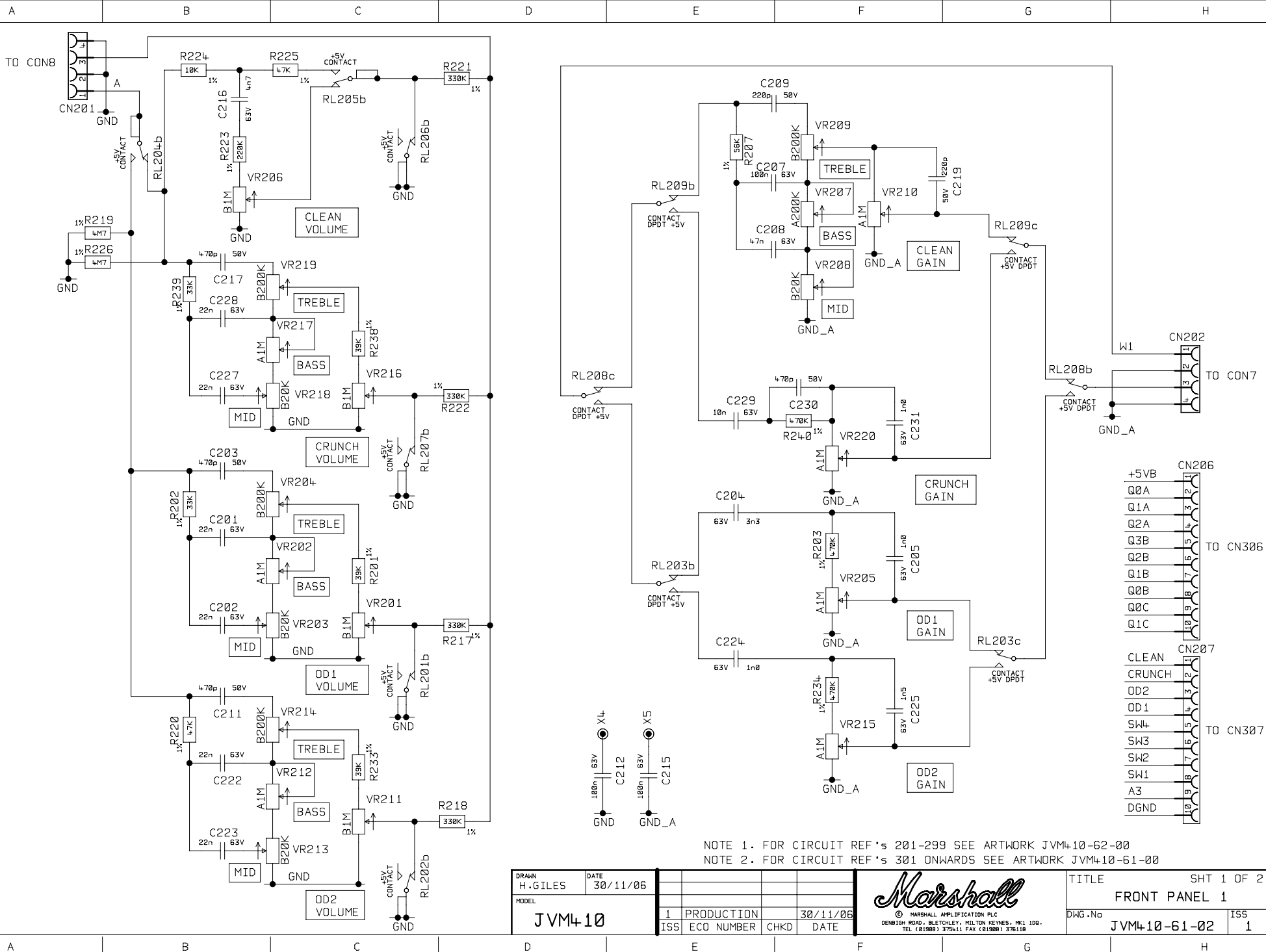


SHT 1 OF 2
DWG.No. JVM410-61-02



NOTE 1. FOR CIRCUIT REF'S 201-299 SEE ARTWORK JVM410-62-00
NOTE 2. FOR CIRCUIT REF'S 301 ONWARDS SEE ARTWORK JVM410-61-00

| | | | | | | | | | | | |
|------------------|--|------------------|--|------------------------|--|--------------|--|--|--|--------------------------------------|--|
| DRAWN H.GILES | | DATE 30/11/06 | | | | | | | | TITLE SHT 1 OF 2 FRONT PANEL 1 | |
| MODEL JVM410 | | ISS 1 | | PRODUCTION 30/11/06 | | CHKD DATE | |  | | DWG.No JVM410-61-02 | |
| | | | | | | | | <small>© MARSHALL AMPLIFICATION PLC DENBIGH ROAD, BLETCHLEY, MILTON KEYNES, MK1 10Q. TEL (01298) 375411 FAX (01298) 376110</small> | | ISS 1 | |