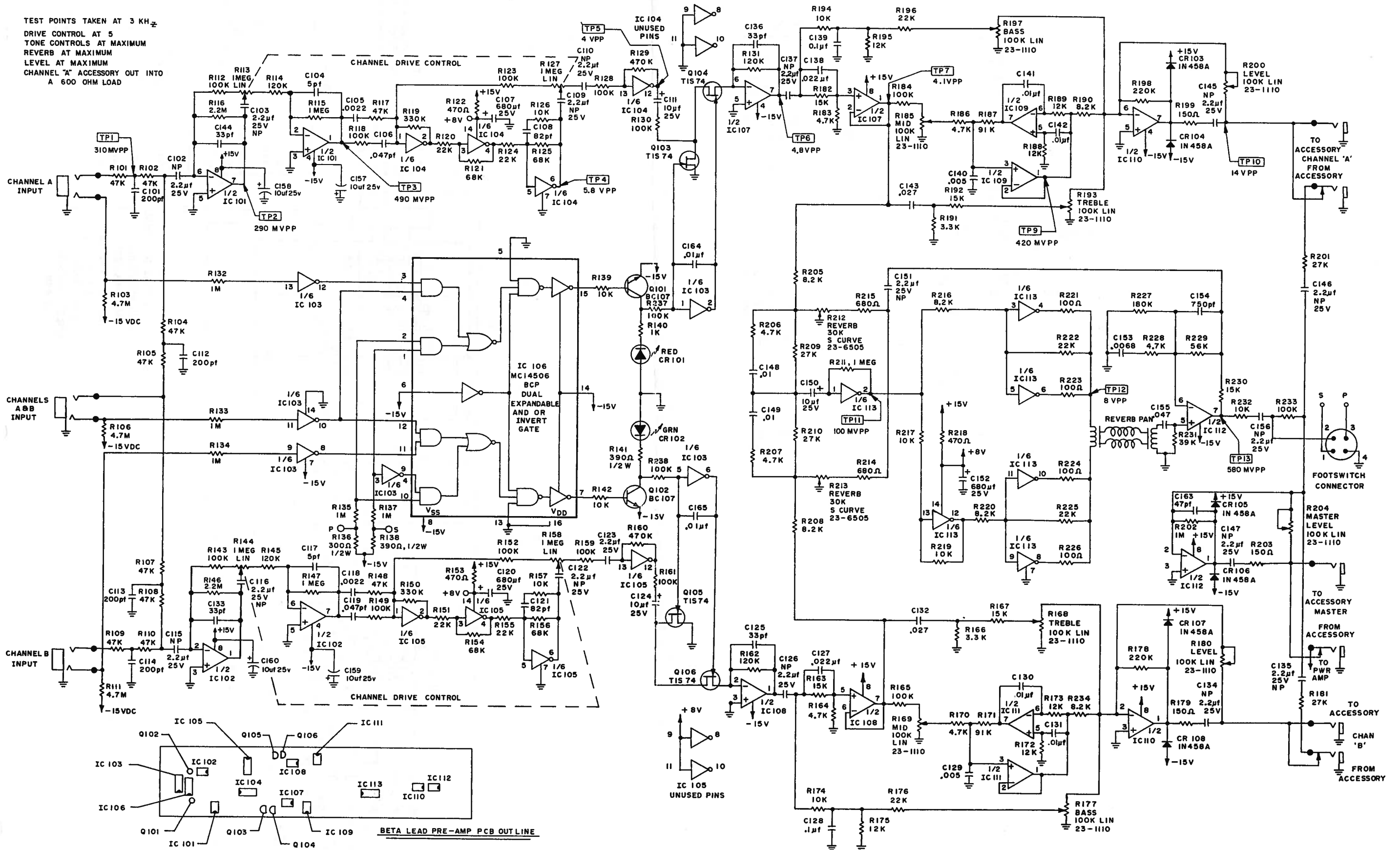


BETA LEAD PREAMP SCHEMATIC

TEST POINTS TAKEN AT 3 KHz
 DRIVE CONTROL AT 5
 TONE CONTROLS AT MAXIMUM
 REVERB AT MAXIMUM
 LEVEL AT MAXIMUM
 CHANNEL "A" ACCESSORY OUT INTO
 A 600 OHM LOAD



BETA LEAD PRE-AMP PCB OUTLINE