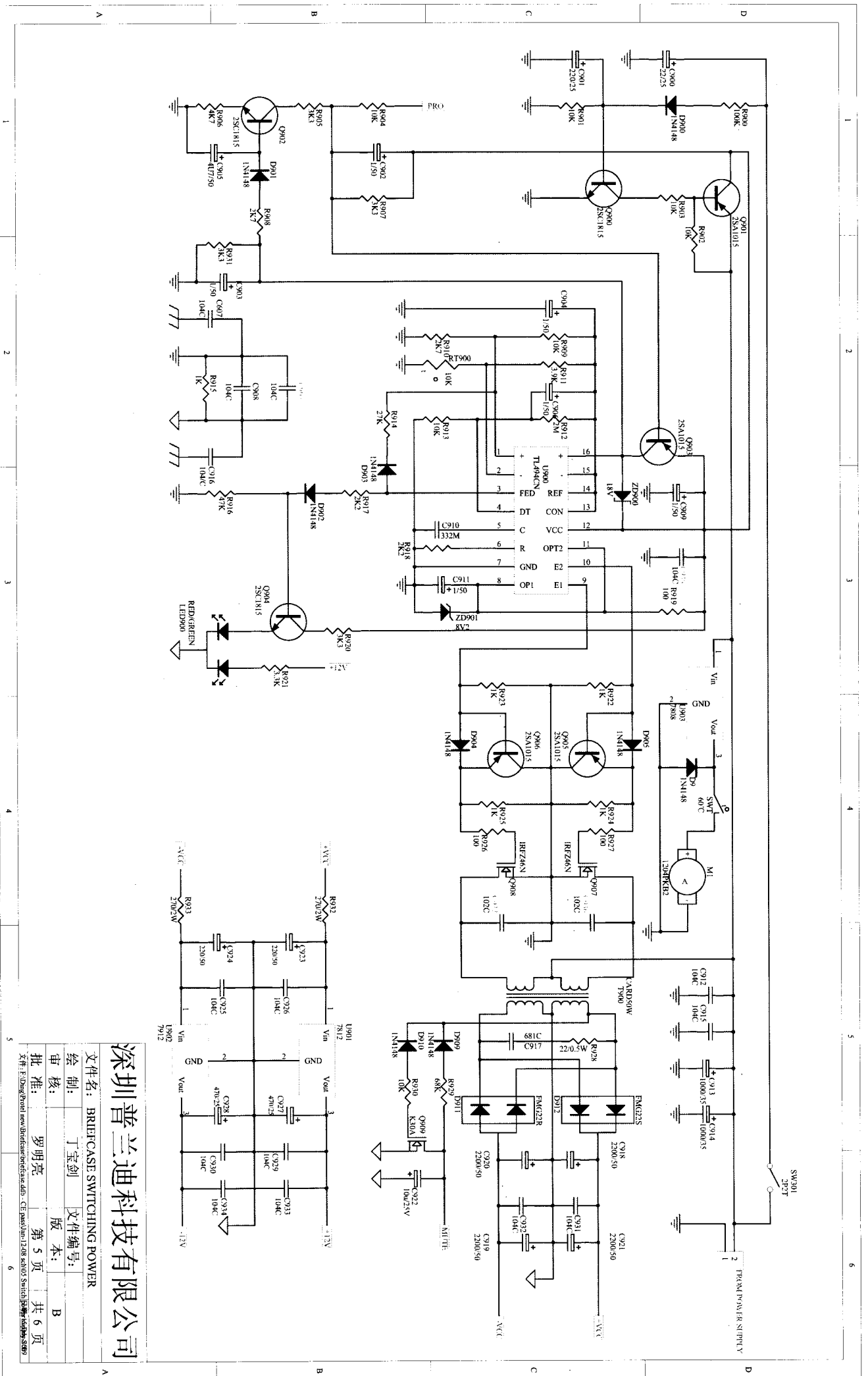


深圳普兰迪科技有限公司

文件名:	BRIEFCASE POWER SUPPLY CIRCUIT		
绘制:	丁宝剑	文件编号:	
审核:		版本:	B
批准:	罗明亮	第 6 页	共 6 页

文件: F:\Original\new\shijiecase\shijiecase.cdr - CF Assistant 12.08 salido Power 日期: 2009



深圳普兰迪科技有限公司

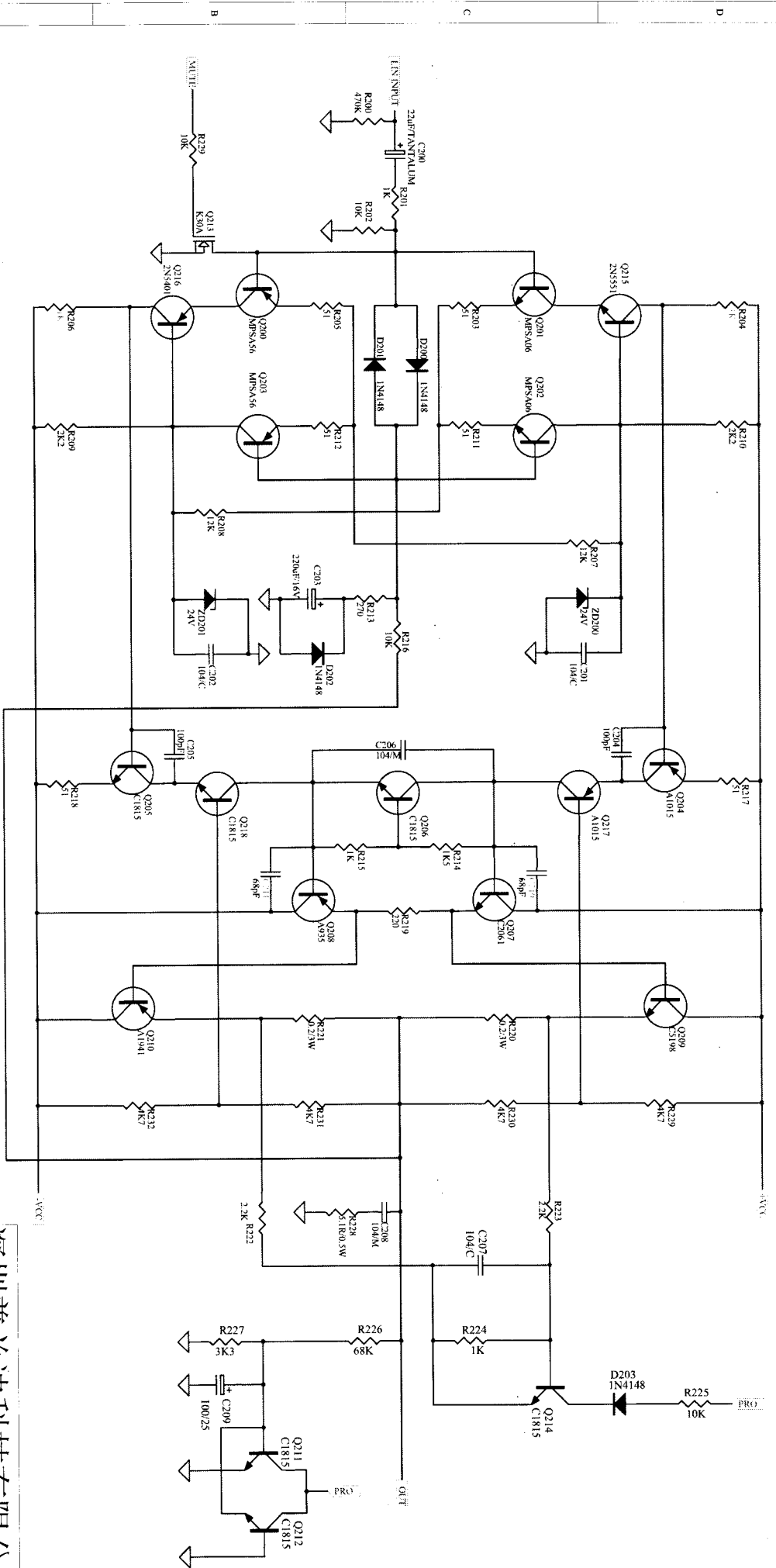
文件名: BRIEFCASE SWITCHING POWER

绘制: 丁壹剑 文件编号:

审核: 版本: B

批准: 罗明亮 第 5 页 共 6 页

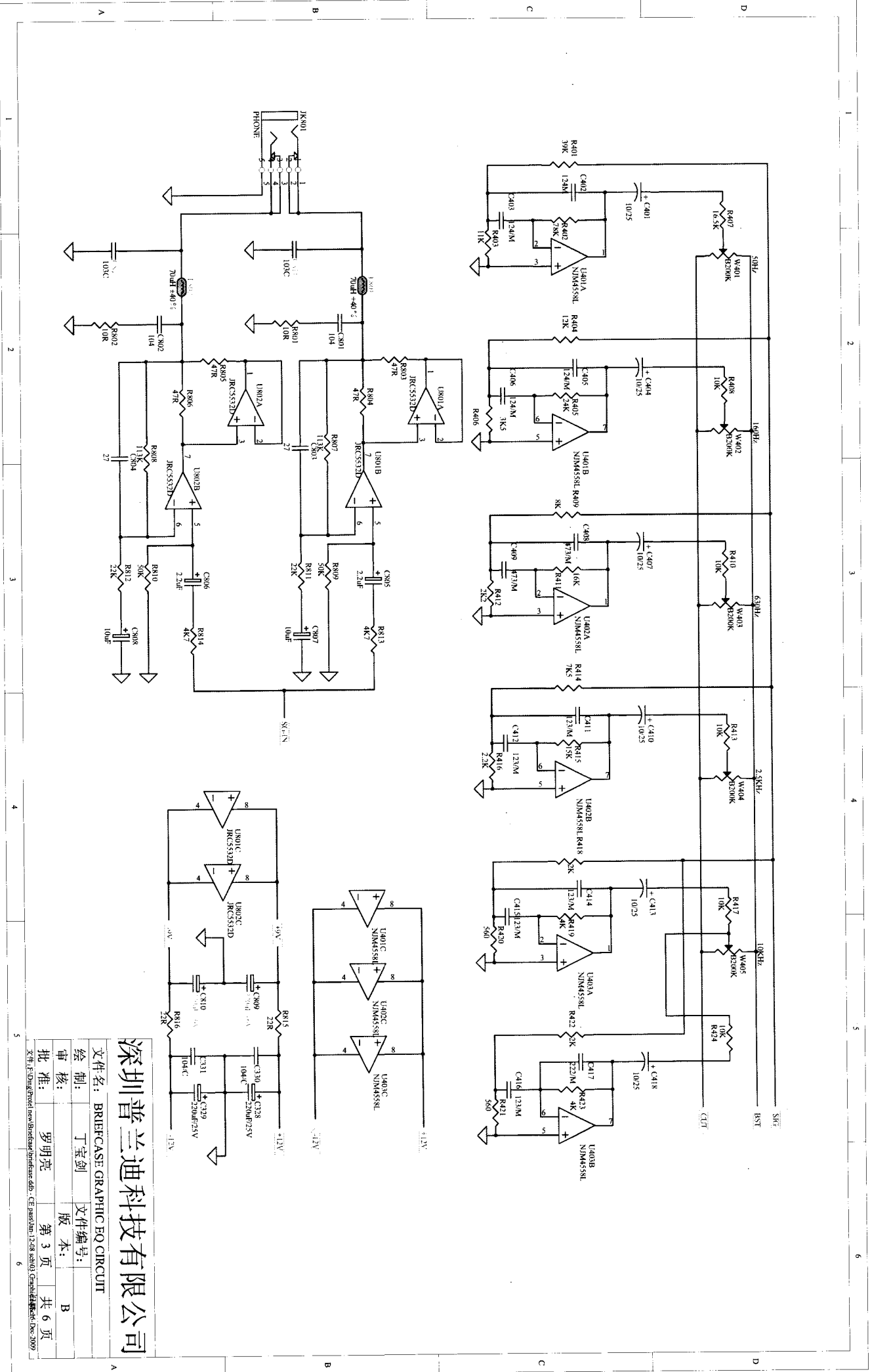
文件: F:\DingYiJian\new\Brieftcase\Brieftcase.ddb - CE:\msyslan12\08_ks007_Switch_Power_Schematic.dwg



深圳普兰迪科技有限公司

文件名: BRIEFCASE POWER AMPLIFIER CIRCUIT
 绘制: 丁家剑 文件编号: _____
 审核: _____ 版本: B
 批准: 罗明亮 第 4 页 共 6 页

文件: F:\Diving\Prodel new\Briefcase\Briefcase.dds - CE jass\Jan12\08\skd04 Power Amplifier 08-2009



深圳普兰迪科技有限公司

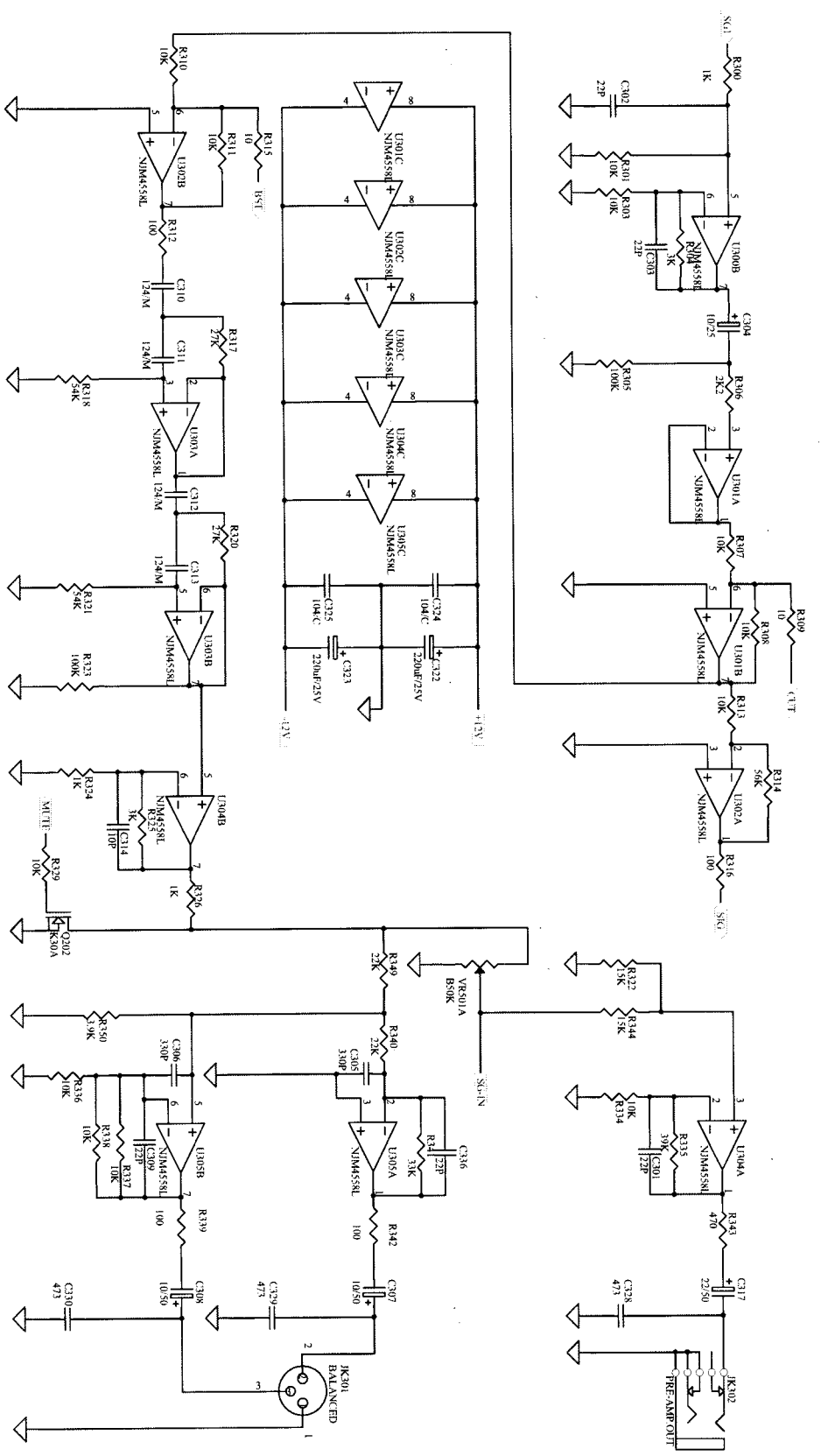
文件名: BRIEFCASE GRAPHIC EQ CIRCUIT

绘制: 丁宝剑 文件编号: B

审核: 罗明亮 版本: 第 3 页 共 6 页

批准: 罗明亮

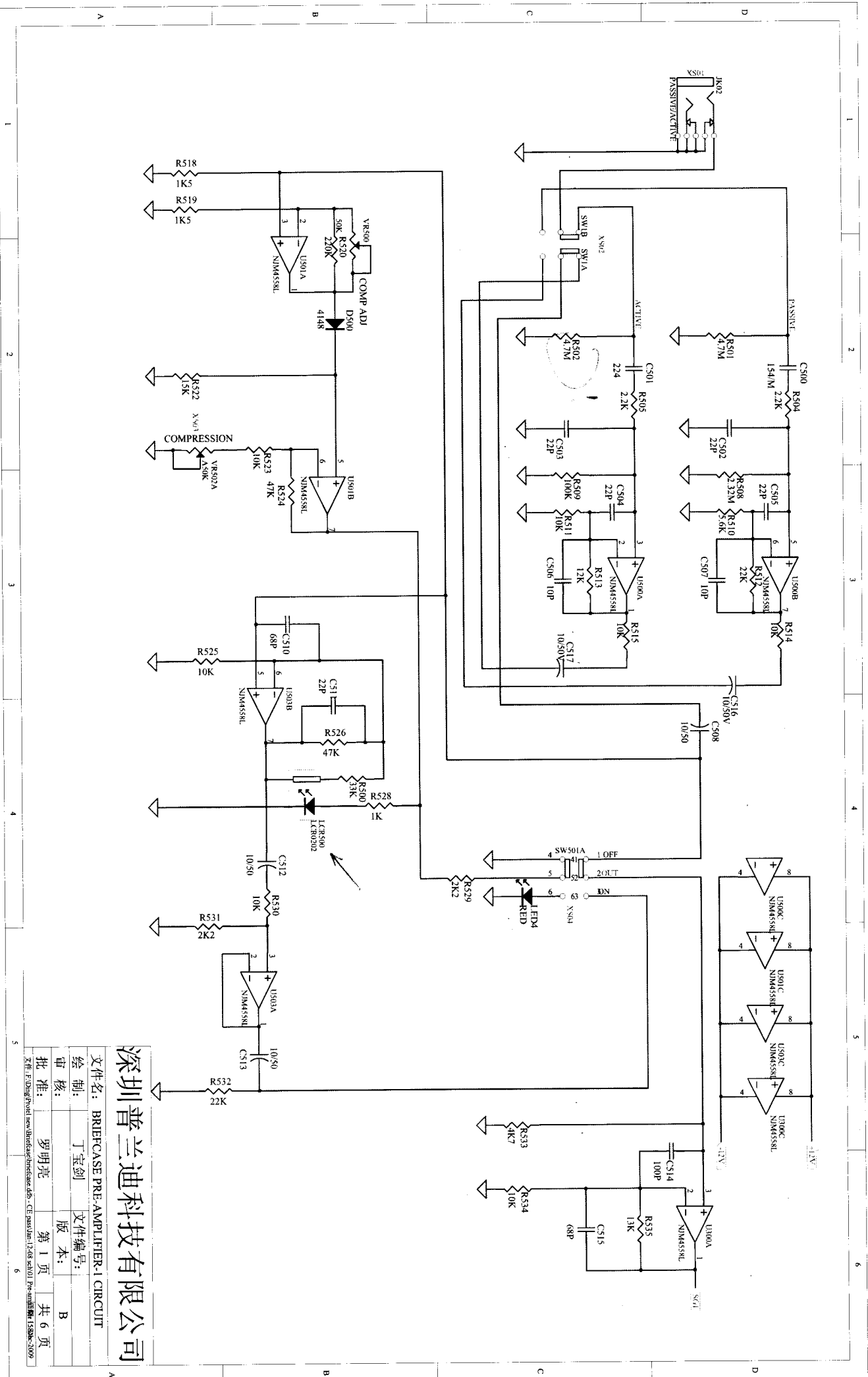
X:\E:\Dwg\Print\new\Briefcase\graphic\eq.dwg (C:\msdwin\1208\sting) Graphical Date: 2009



深圳普兰迪科技有限公司

文件名:	BRIEFCASE AUXILIARY
绘制:	丁宝剑
审核:	罗明亮
批准:	罗明亮
文件编号:	
版本号:	B
第 2 页	共 6 页

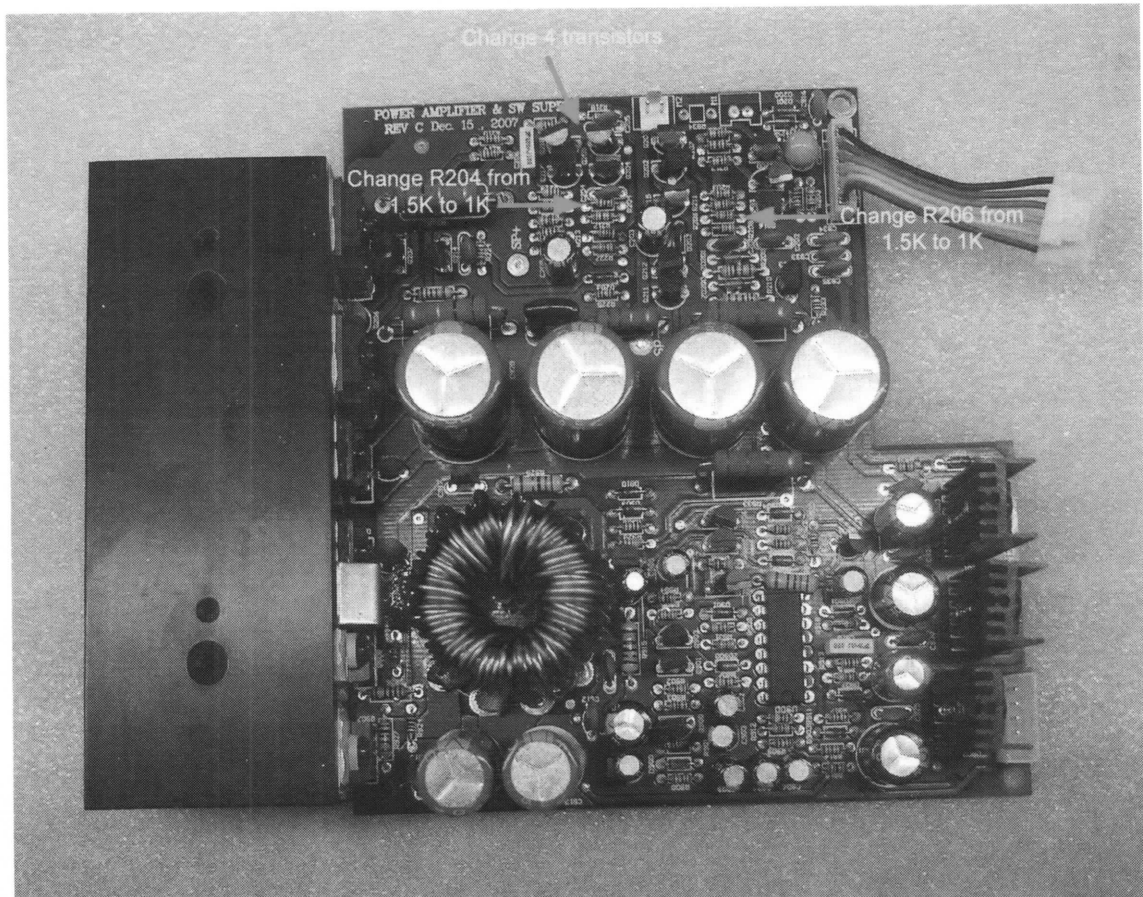
文件: F:\DongFeng\Board\Brieffcase.dtb - CE:mas11an-12.08 8202 Jrc-smith@ms.khsdk.com



深圳普兰迪科技有限公司

文件名:	BRIEFCASE PRE-AMPLIFIER-1.CIRCUIT
绘制:	丁宝剑
审核:	罗明亮
文件编号:	
版本:	B
批准:	
	第 1 页 共 6 页

文件路径: D:\JingFeng\Project\new\Briercase\Briercase.dcb - CE: pas\lan-12488.scad\1 Pre-amplifier-1530es-009



Briefcase Bias Drivers Replacement

To get to the repair, remove the head by removing the 4 hex screws on the cabinet sides & loosening the top 2 banana jacks in the back so as to spread out the 2 metal clips that are the battery bridge connectors. The amp head will then push out the front. Before doing any work inside it's also advised to discharge the caps by shorting across the banana posts on back of amp. Unscrew (10 screws) & remove the amp head cover plate.

For Briefcase amps with the crackle/pop noise problem even when nothing is plugged in & all levels are down, these are the transistors to replace. These 4 transistors are located grouped together close to where the fan plugs in on the main power amp circuit board. The part location numbers are printed on the board for easy reference.

Q204 & Q217 replace with either original transistor part number 2SA1015 or substitute NTE290A.

Q205 & Q218 replace with either original transistor part number 2SC1815 or substitute NTE289A.

Also replace R204 & R206 1.5K resistors with 1K resistors. Use 1% resistors or hand match up a pair of 5%.