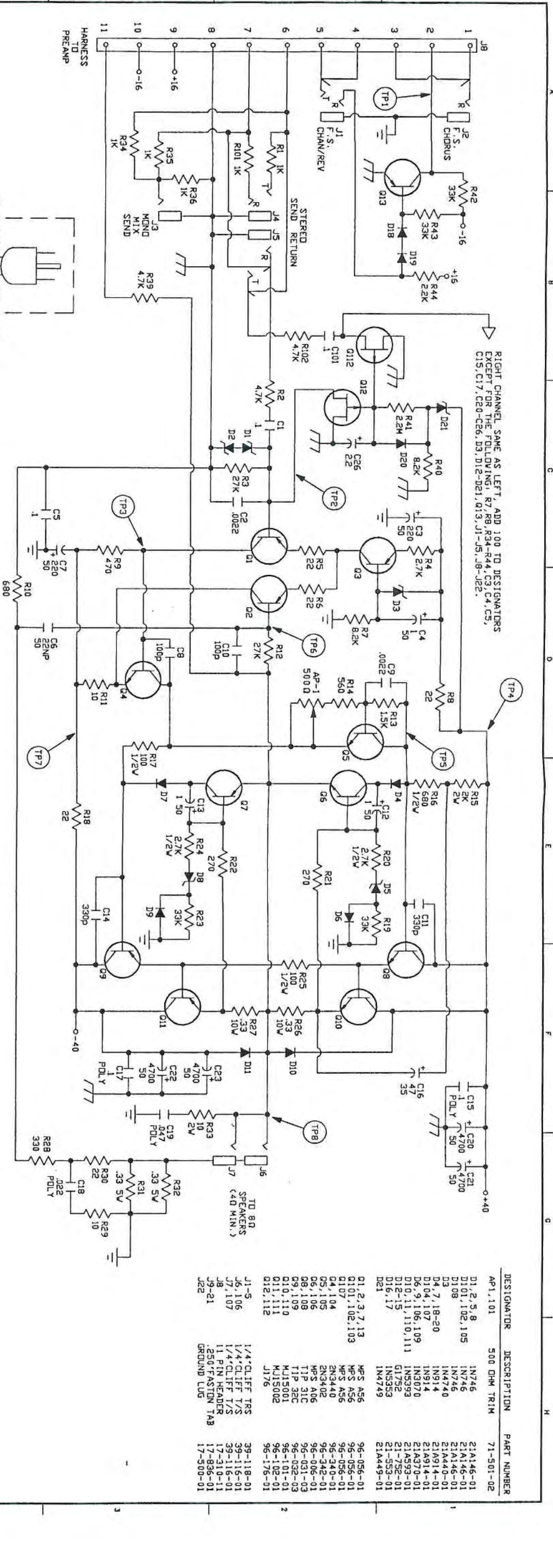
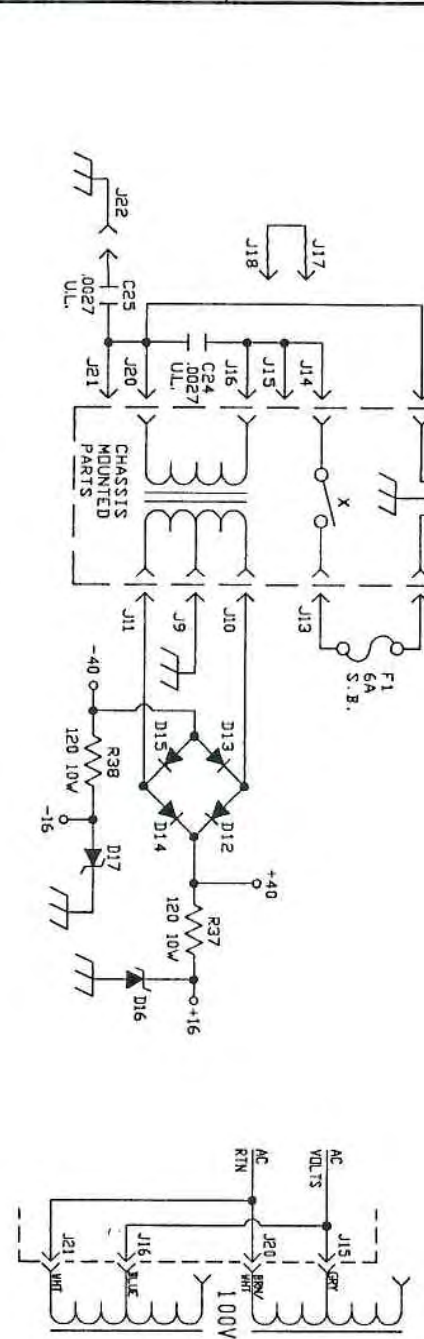


16-130-01 REFLECTIS P.C.B. 06A530-01
 16-131-01 REFLECTIS P.C.B. 06A530-02

RESISTOR	DESCRIPTION	PART NO.
AP-1	10K TRIM	71-103-02
D1, 2, 4, 7, 10, 13	1N746	21A174-01
D3, 6, 9, 12	1N746	21A174-01
D5, 8, 11, 14, 16	1N746	21A174-01
D15, 17, 20, 23	1N746	21A174-01
D18, 19, 22, 25	1N746	21A174-01
D20, 21, 24, 27	1N746	21A174-01
D22, 26, 29	1N746	21A174-01
D23, 28, 31	1N746	21A174-01
D24, 30, 33	1N746	21A174-01
D25, 32, 35	1N746	21A174-01
D26, 34, 37	1N746	21A174-01
D27, 36, 39	1N746	21A174-01
D28, 38, 41	1N746	21A174-01
D29, 40, 43	1N746	21A174-01
D30, 42, 45	1N746	21A174-01
D31, 44, 47	1N746	21A174-01
D32, 46, 49	1N746	21A174-01
D33, 48, 51	1N746	21A174-01
D34, 50, 53	1N746	21A174-01
D35, 52, 55	1N746	21A174-01
D36, 54, 57	1N746	21A174-01
D37, 56, 59	1N746	21A174-01
D38, 58, 61	1N746	21A174-01
D39, 60, 63	1N746	21A174-01
D40, 62, 65	1N746	21A174-01
D41, 64, 67	1N746	21A174-01
D42, 66, 69	1N746	21A174-01
D43, 68, 71	1N746	21A174-01
D44, 70, 73	1N746	21A174-01
D45, 72, 75	1N746	21A174-01
D46, 74, 77	1N746	21A174-01
D47, 76, 79	1N746	21A174-01
D48, 78, 81	1N746	21A174-01
D49, 80, 83	1N746	21A174-01
D50, 82, 85	1N746	21A174-01
D51, 84, 87	1N746	21A174-01
D52, 86, 89	1N746	21A174-01
D53, 88, 91	1N746	21A174-01
D54, 90, 93	1N746	21A174-01
D55, 92, 95	1N746	21A174-01
D56, 94, 97	1N746	21A174-01
D57, 96, 99	1N746	21A174-01
D58, 98, 101	1N746	21A174-01
D59, 100, 103	1N746	21A174-01
D60, 102, 105	1N746	21A174-01
D61, 104, 107	1N746	21A174-01
D62, 106, 109	1N746	21A174-01
D63, 108, 111	1N746	21A174-01
D64, 110, 113	1N746	21A174-01
D65, 112, 115	1N746	21A174-01
D66, 114, 117	1N746	21A174-01
D67, 116, 119	1N746	21A174-01
D68, 118, 121	1N746	21A174-01
D69, 120, 123	1N746	21A174-01
D70, 122, 125	1N746	21A174-01
D71, 124, 127	1N746	21A174-01
D72, 126, 129	1N746	21A174-01
D73, 128, 131	1N746	21A174-01
D74, 130, 133	1N746	21A174-01
D75, 132, 135	1N746	21A174-01
D76, 134, 137	1N746	21A174-01
D77, 136, 139	1N746	21A174-01
D78, 138, 141	1N746	21A174-01
D79, 140, 143	1N746	21A174-01
D80, 142, 145	1N746	21A174-01
D81, 144, 147	1N746	21A174-01
D82, 146, 149	1N746	21A174-01
D83, 148, 151	1N746	21A174-01
D84, 150, 153	1N746	21A174-01
D85, 152, 155	1N746	21A174-01
D86, 154, 157	1N746	21A174-01
D87, 156, 159	1N746	21A174-01
D88, 158, 161	1N746	21A174-01
D89, 160, 163	1N746	21A174-01
D90, 162, 165	1N746	21A174-01
D91, 164, 167	1N746	21A174-01
D92, 166, 169	1N746	21A174-01
D93, 168, 171	1N746	21A174-01
D94, 170, 173	1N746	21A174-01
D95, 172, 175	1N746	21A174-01
D96, 174, 177	1N746	21A174-01
D97, 176, 179	1N746	21A174-01
D98, 178, 181	1N746	21A174-01
D99, 180, 183	1N746	21A174-01
D100, 182, 185	1N746	21A174-01
D101, 184, 187	1N746	21A174-01
D102, 186, 189	1N746	21A174-01
D103, 188, 191	1N746	21A174-01
D104, 190, 193	1N746	21A174-01
D105, 192, 195	1N746	21A174-01
D106, 194, 197	1N746	21A174-01
D107, 196, 199	1N746	21A174-01
D108, 198, 201	1N746	21A174-01
D109, 199, 202	1N746	21A174-01
D110, 200, 203	1N746	21A174-01
D111, 201, 204	1N746	21A174-01
D112, 202, 205	1N746	21A174-01
D113, 203, 206	1N746	21A174-01
D114, 204, 207	1N746	21A174-01
D115, 205, 208	1N746	21A174-01
D116, 206, 209	1N746	21A174-01
D117, 207, 210	1N746	21A174-01
D118, 208, 211	1N746	21A174-01
D119, 209, 212	1N746	21A174-01
D120, 210, 213	1N746	21A174-01
D121, 211, 214	1N746	21A174-01
D122, 212, 215	1N746	21A174-01
D123, 213, 216	1N746	21A174-01
D124, 214, 217	1N746	21A174-01
D125, 215, 218	1N746	21A174-01
D126, 216, 219	1N746	21A174-01
D127, 217, 220	1N746	21A174-01
D128, 218, 221	1N746	21A174-01
D129, 219, 222	1N746	21A174-01
D130, 220, 223	1N746	21A174-01
D131, 221, 224	1N746	21A174-01
D132, 222, 225	1N746	21A174-01
D133, 223, 226	1N746	21A174-01
D134, 224, 227	1N746	21A174-01
D135, 225, 228	1N746	21A174-01
D136, 226, 229	1N746	21A174-01
D137, 227, 230	1N746	21A174-01
D138, 228, 231	1N746	21A174-01
D139, 229, 232	1N746	21A174-01
D140, 230, 233	1N746	21A174-01
D141, 231, 234	1N746	21A174-01
D142, 232, 235	1N746	21A174-01
D143, 233, 236	1N746	21A174-01
D144, 234, 237	1N746	21A174-01
D145, 235, 238	1N746	21A174-01
D146, 236, 239	1N746	21A174-01
D147, 237, 240	1N746	21A174-01
D148, 238, 241	1N746	21A174-01
D149, 239, 242	1N746	21A174-01
D150, 240, 243	1N746	21A174-01
D151, 241, 244	1N746	21A174-01
D152, 242, 245	1N746	21A174-01
D153, 243, 246	1N746	21A174-01
D154, 244, 247	1N746	21A174-01
D155, 245, 248	1N746	21A174-01
D156, 246, 249	1N746	21A174-01
D157, 247, 250	1N746	21A174-01
D158, 248, 251	1N746	21A174-01
D159, 249, 252	1N746	21A174-01
D160, 250, 253	1N746	21A174-01
D161, 251, 254	1N746	21A174-01
D162, 252, 255	1N746	21A174-01
D163, 253, 256	1N746	21A174-01
D164, 254, 257	1N746	21A174-01
D165, 255, 258	1N746	21A174-01
D166, 256, 259	1N746	21A174-01
D167, 257, 260	1N746	21A174-01
D168, 258, 261	1N746	21A174-01
D169, 259, 262	1N746	21A174-01
D170, 260, 263	1N746	21A174-01
D171, 261, 264	1N746	21A174-01
D172, 262, 265	1N746	21A174-01
D173, 263, 266	1N746	21A174-01
D174, 264, 267	1N746	21A174-01
D175, 265, 268	1N746	21A174-01
D176, 266, 269	1N746	21A174-01
D177, 267, 270	1N746	21A174-01
D178, 268, 271	1N746	21A174-01
D179, 269, 272	1N746	21A174-01
D180, 270, 273	1N746	21A174-01
D181, 271, 274	1N746	21A174-01
D182, 272, 275	1N746	21A174-01
D183, 273, 276	1N746	21A174-01
D184, 274, 277	1N746	21A174-01
D185, 275, 278	1N746	21A174-01
D186, 276, 279	1N746	21A174-01
D187, 277, 280	1N746	21A174-01
D188, 278, 281	1N746	21A174-01
D189, 279, 282	1N746	21A174-01
D190, 280, 283	1N746	21A174-01
D191, 281, 284	1N746	21A174-01
D192, 282, 285	1N746	21A174-01
D193, 283, 286	1N746	21A174-01
D194, 284, 287	1N746	21A174-01
D195, 285, 288	1N746	21A174-01
D196, 286, 289	1N746	21A174-01
D197, 287, 290	1N746	21A174-01
D198, 288, 291	1N746	21A174-01
D199, 289, 292	1N746	21A174-01
D200, 290, 293	1N746	21A174-01
D201, 291, 294	1N746	21A174-01
D202, 292, 295	1N746	21A174-01
D203, 293, 296	1N746	21A174-01
D204, 294, 297	1N746	21A174-01
D205, 295, 298	1N746	21A174-01
D206, 296, 299	1N746	21A174-01
D207, 297, 300	1N746	21A174-01
D208, 298, 301	1N746	21A174-01
D209, 299, 302	1N746	21A174-01
D210, 300, 303	1N746	21A174-01
D211, 301, 304	1N746	21A174-01
D212, 302, 305	1N746	21A174-01
D213, 303, 306	1N746	21A174-01
D214, 304, 307	1N746	21A174-01
D215, 305, 308	1N746	21A174-01
D216, 306, 309	1N746	21A174-01
D217, 307, 310	1N746	21A174-01
D218, 308, 311	1N746	21A174-01
D219, 309, 312	1N746	21A174-01
D220, 310, 313	1N746	21A174-01
D221, 311, 314	1N746	21A174-01
D222, 312, 315	1N746	21A174-01
D223, 313, 316	1N746	21A174-01
D224, 314, 317	1N746	21A174-01
D225, 315, 318	1N746	21A174-01
D226, 316, 319	1N746	21A174-01
D227, 317, 320	1N746	21A174-01
D228, 318, 321	1N746	21A174-01
D229, 319, 322	1N746	21A174-01
D230, 320, 323	1N746	21A174-01
D231, 321, 324	1N746	21A174-01
D232, 322, 325	1N746	21A174-01
D233, 323, 326	1N746	21A174-01
D234, 324, 327	1N746	21A174-01
D235, 325, 328	1N746	21A174-01
D236, 326, 329	1N746	21A174-01
D237, 327, 330	1N746	21A174-01
D238, 328, 331	1N746	21A174-01
D239, 329, 332	1N746	21A174-01
D240, 330, 333	1N746	21A174-01
D241, 331, 334	1N746	21A174-01
D242, 332, 335	1N746	21A174-01
D243, 333, 336	1N746	21A174-01
D244, 334, 337	1N746	21A174-01
D245, 335, 338	1N746	21A174-01
D246, 336, 339	1N746	21A174-01
D247, 337, 340	1N746	21A174-01



RIGHT CHANNEL SAME AS LEFT, ADD 100 TO DESIGNATORS EXCEPT FOR THE FOLLOWING: R7, R8, R34-R44, C3, C4, C5, C15, C17, C20-C26, D3, D12-D21, Q13, J1-J5, J8-J22.



EXPORT WIRING

16-130-01 REFLECTS P.C.B. 06A530-01
16-131-01 REFLECTS P.C.B. 06A530-02

TEST POINTS (RMS)	VOLTAGE (DC)
1	.32
2	.7
3	.38
4	.39
5	4.2
7	.7
8	38.5
19	

TEST POINTS AND VOLTAGES TO BE SAME FOR BOTH CHANNELS.

CAUTION:
THIS SCHEMATIC IS PROVIDED FOR USE BY QUALIFIED PERSONNEL. TO AVOID RISK OF ELECTRIC SHOCK, REFER SERVICING TO QUALIFIED SERVICE PERSONNEL. DO NOT PERFORM ANY SERVICING BEYOND THAT EXPLAINED IN THE OPERATING INSTRUCTIONS.

- NOTES**
- 1) CAUTION, SHOCK HAZARD!! THIS UNIT CONTAINS HAZARDOUS VOLTAGE. DISCONNECT POWER AND BE SURE POWER SUPPLY IS DISCHARGED BEFORE TOUCHING INTERNAL PARTS.
 - 2) UNLESS NOTED, RESISTOR VALUES IN OHMS, 1/4W-5% TOL. CAPACITOR VALUES IN MICROFARADS, 50V-10% TOL.
 - 3) VOLTAGES ARE MEASURED WITH 1 MEGOHM OSCILLOSCOPE AND 10 MEGOHM DIGITAL VOLTMETER.
 - 4) CIRCUIT GROUND ∇ SWITCH GROUND ∇ CHASSIS GROUND ∇ SET AP-1 & AP-101 FOR 3MV ACROSS R26, R27, R126 AND R127.

REV	DATE	BY	CHK'D	DESCRIPTION
4	10/22/92	TEXT		CHANGED DRAWING TITLE
3	7/2/92	SMR		CHANGED R82 FROM 1.5K TO 2.2K (-02 VERSION ONLY)
B	03/14/91	MCA		SEE SHEET 1
A	9-13-90	ML		SEE SHEET 1

DRAWN:	ML	DATE:	7/26/90
CHK'D:	TEK	PROJECT NAME:	GX-130C/GX-130CH
APP'D:	TEK	ORIGINAL ISSUED:	7-28-90
PLOT DATE:	10/20/92	DRAWING NAME:	SCHEMATIC DRAWING
FILE NAME:	-1300114	DRAWING NO.:	16-130-01 GX.3
		SCALE:	NONE
		SHEETS:	2 of 2

DESIGNATOR	DESCRIPTION	PART NUMBER
AP1,101	500 OHM TRIM	71-501-02
D1,2,5,8		1N746
D101,102,105		1N746
D108		1N4740
D3		1N4740
D4,7,18-20		1N914
D7,8,10,17		1N914
D6,9,106,109		1N3070
D10,11,110,111		1N3070
D12-15		G1752
D16,17		1N5353
D21		1N4749
Q1,2,3,7,13		MPS A56
Q101,102,103		MPS A56
Q107		MPS A56
Q4,1,04		2N3440
Q5,1,05		2N3440
Q6,1,06		MPS A06
Q8,1,08		T1P 31C
Q9,1,09		T1P 32C
Q10,1,10		MJ15001
Q11,1,11		MJ15002
Q12,1,12		J178
J1-5	1/4 CLIFF TRS	39-118-01
J6,1,06	1/4 CLIFF T/S	39-115-01
J7,1,07	1/1 PIN HEADER	39-116-01
J8	.250" PIN HEADER	17-310-11
J9-21	GROUND LUG	17-836-01
J22		17-500-01