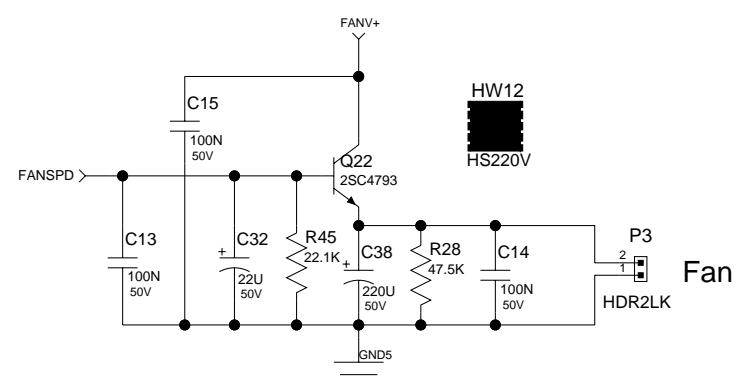
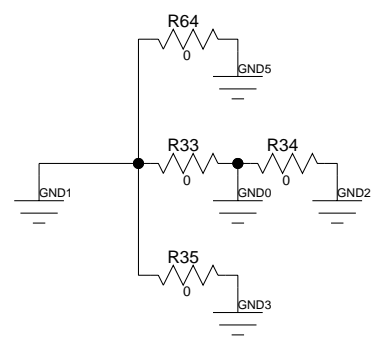
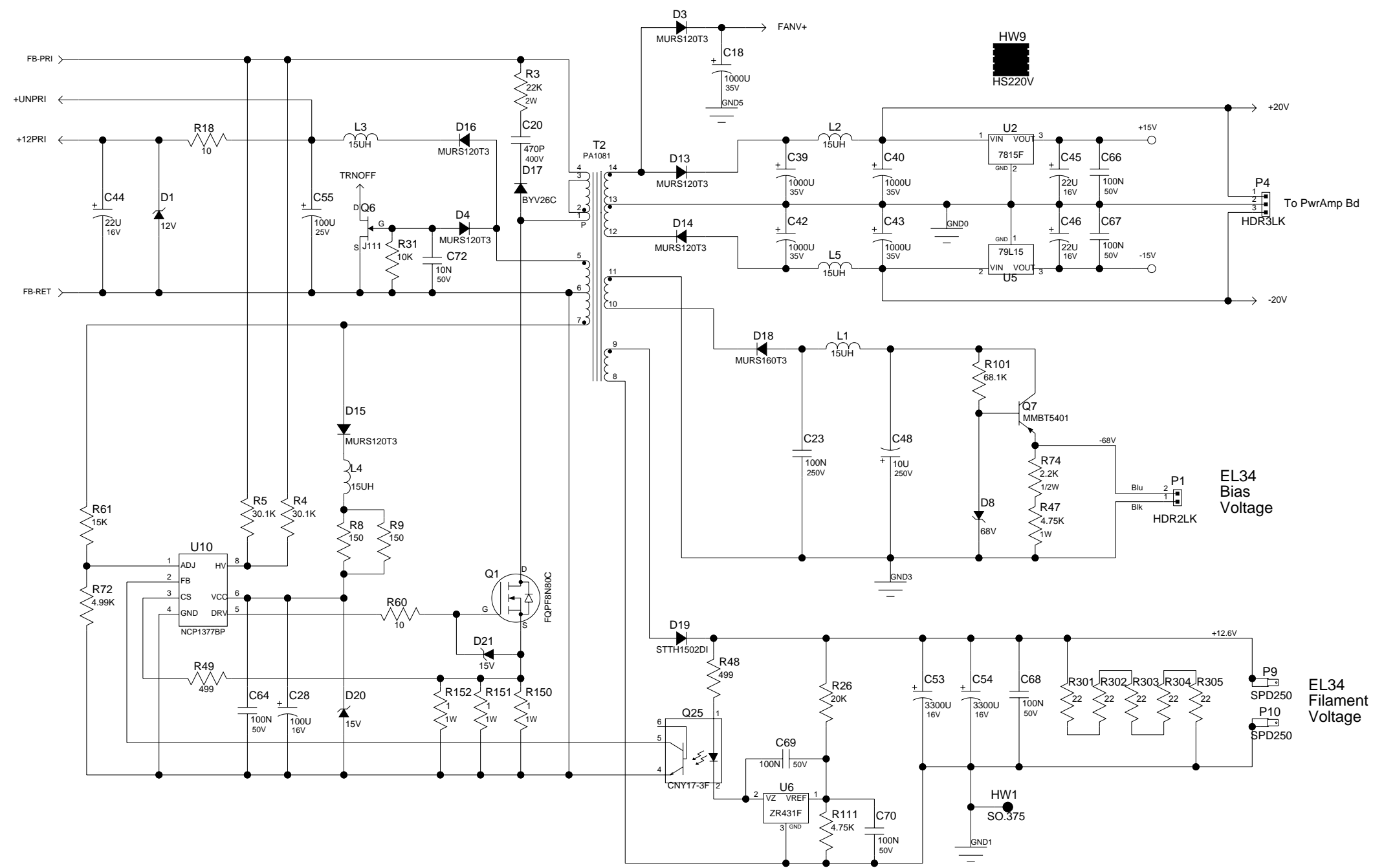


32101297



Title: PWRSPPLY
Sheet Title: VB-3 Pro

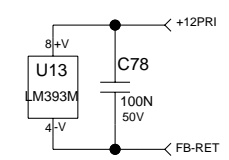
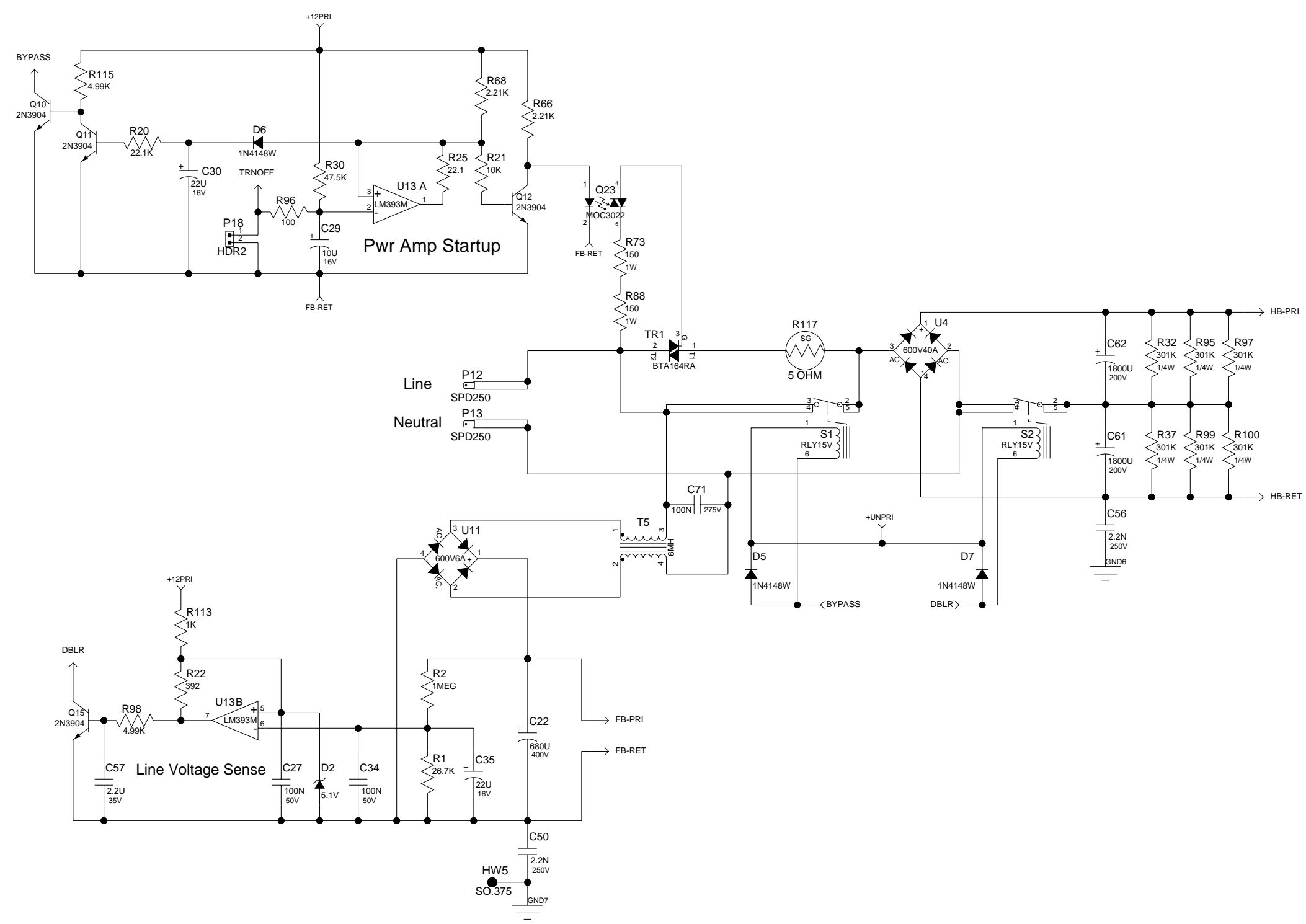


32101297

PEAVEY
Peavey Electronics Corp.
P. O. Box 2898
Meridian, MS 39301

Title: **PWRSPPLY**
Sheet Title: **VB-3 Pro**

C Sheet 3 of 4 Date: 4-29-2009_15:05

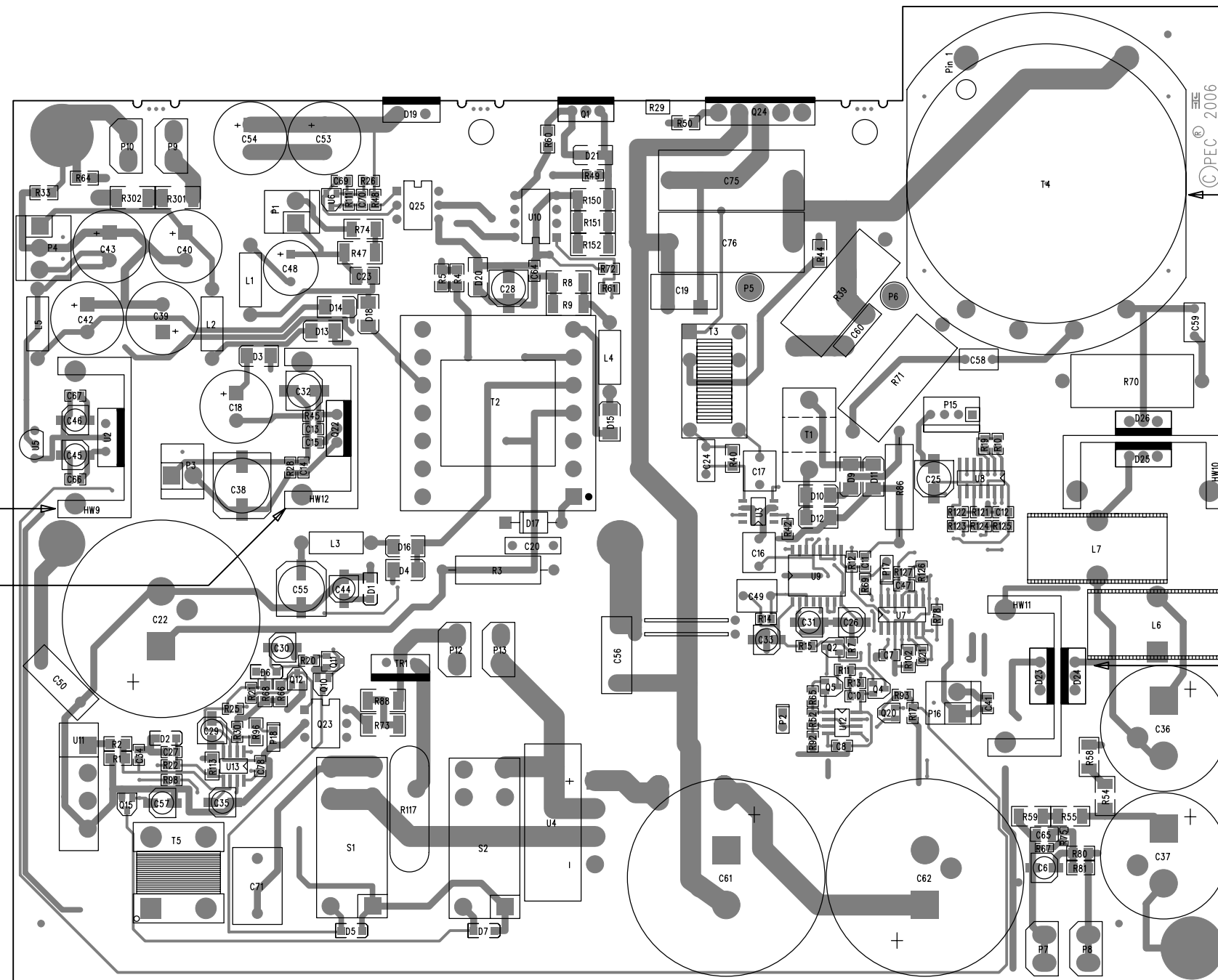


HW3 SO.375 HW4 SO.375 HW7 SO.375 HW8 SO.375

32101297



Title: PWRSPPLY
Sheet Title: VB-3 Pro



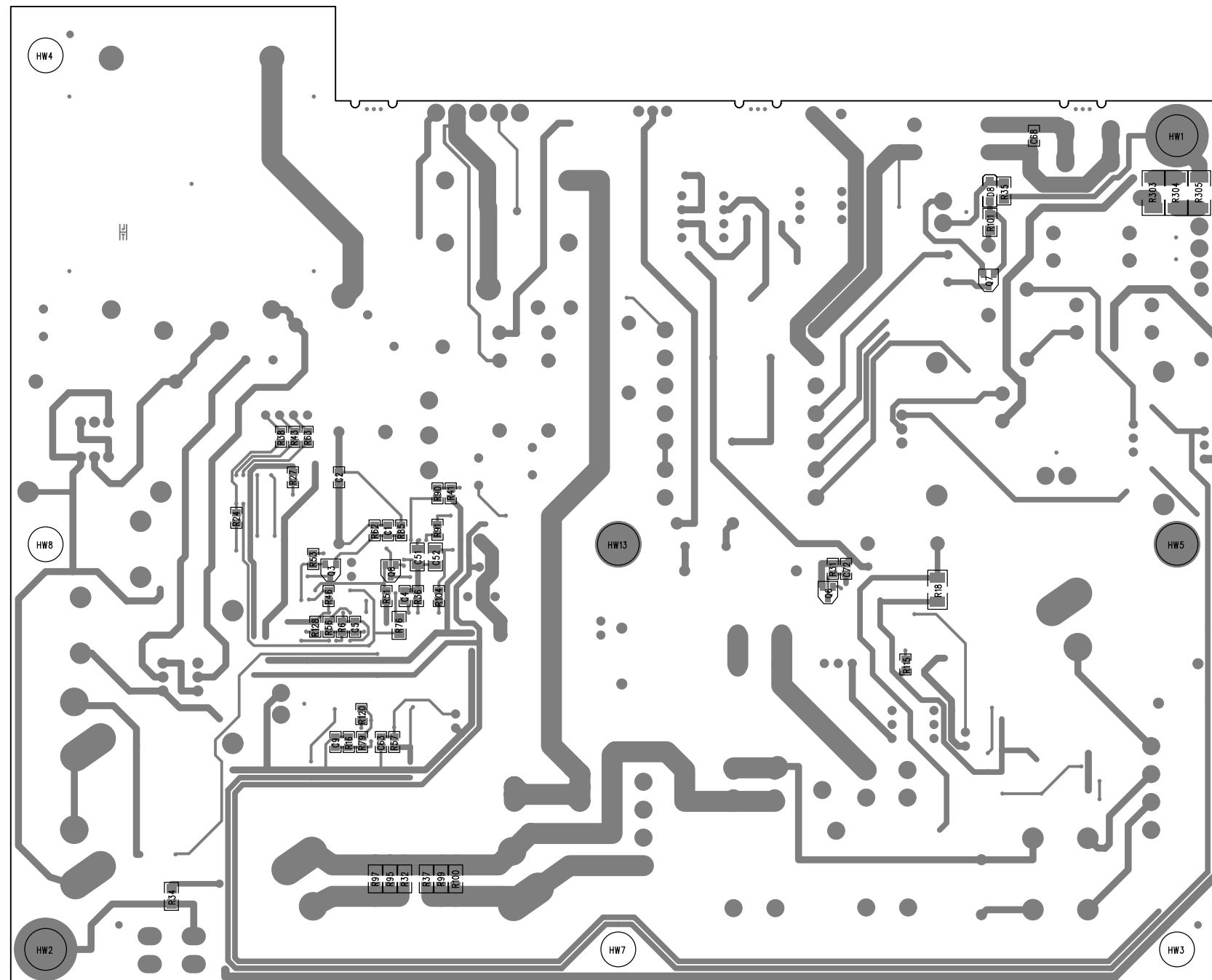
TO MOUNT U2
TO HW9 USE:
3150022 SCREW
31500319 NUT

TO MOUNT Q22
TO HW12 USE:
3150022 SCREW
31500319 NUT

TO MOUNT T4 TO PCB USE:
31500586 SCREW

TO MOUNT D25 AND D26 TO HW10 USE:
3150022 SCREW
31500462 NUT

TO MOUNT D23 AND D24 TO HW11 USE:
3150022 SCREW
31500462 NUT



BILL OF MATERIAL REPORT

REPORT DATE/TIME: 4/29/2009 4:18:08 PM

BOARD NAME: VB3 POWER SUPPLY ASSEMBLY LEVEL NUMBER: 29096051

PROJECT NUMBER: P0600064 DESIGNER: JTH - 32101520

Qty.	Part #	Description	Reference Designators

--			
4	30200010	0.0 1/4W 5% MF 1206	R33 R34 R35 R64
2	30200037	2.2M 1/4W 5% MF 1206	R80 R81
2	30200047	1K 1/4W 1% MF 1206	R76 R113
2	30200056	30.1K 1/4W 1% MF 1206	R4 R5
1	30200060	100 1/4W 1% MF 1206	R96
1	30200067	26.7K 1/4W 1% MF 1206	R1
1	30200121	68.1K 1/4W 1% MF 1206	R101
1	30200150	2K 1/4W 1% MF 1206	R102
2	30200167	20K 1/10W 1% MF 0805	R26 R57
9	30200173	4.99K 1/10W 1% MF 0805	R38 R43 R52 R63 R65 R72 R98 R104 R115
9	30200174	10K 1/10W 1% MF 0805	R6 R11 R12 R13 R15 R21 R31 R46 R128
1	30200181	100 1/10W 1% MF 0805	R69
1	30200184	392 1/10W 1% MF 0805	R22
5	30200188	1.00K 1/10W 1% MF 0805	R17 R90 R91 R122 R127
1	30200189	1.37K 1/10W 1% MF 0805	R92
1	30200190	1.50K 1/10W 1% MF 0805	R78
3	30200194	100K 1/10W 1% MF 0805	R27 R41 R42
2	30200198	499 1/10W 1% MF 0805	R48 R49

3	30200202	3.32K	1/10W	1%	MF	0805	R7 R51 R53
3	30200205	47.5K	1/10W	1%	MF	0805	R14 R28 R30
1	30200209	9.09K	1/10W	1%	MF	0805	R36
2	30200214	2.21K	1/4W	1%	MF	1206	R66 R68
1	30200225	1.0M	1/4W	1%		1206	R2
1	30200236	2.2K	1/2W		5%	MF 2010	R74
5	30200238	22		1W	5%	MF 2512	R301 R302 R303 R304 R305
1	30200251	4.75K	1/10W	1%	MF	0805	R111
2	30200256	22.1K	1/10W	1%	MF	0805	R20 R45
1	30200259	39.2K	1/10W	1%	MF	0805	R62
7	30200267	2.21K	1/10W	1%	MF	0805	R10 R16 R19 R24 R56 R120 R124
2	30200319	6.81K	1/10W	1%	MF	0603	R67 R75
1	30200328	6.81K	1/10W	1%	MF	0805	R93
1	30200332	61.9K	1/10W	1%	MF	0805	R85
1	30200334	15.0K	1/10W	1%	MF	0805	R61
4	30200348	10	1/4W	1%	MF	1206	R40 R44 R50 R60
1	30200358	10		1/2W	1%	MF 2010	R18
1	30200374	4.32K	1/10W	1%	MF	0805	R126
1	30200375	6.19K	1/10W	1%	MF	0805	R79
4	30200388	150		1W	1%	MF 2512	R8 R9 R73 R88
6	30200394	301K	1/4W	1%	MF	1206	R32 R37 R95 R97 R99 R100
1	30200408	2.87K	1/10W	1%	MF	0805	R125
4	30200414	100K	1/2W	5%	MF	2010	R54 R55 R58 R59
1	30200415	4.75K		1W	1%	MF 2512	R47
3	30200418	1	1W	1%	MF	2512	R150 R151 R152
1	30200437	1.82K	1/10W	1%	MF	0805	R123

1	30200460	887	1/10W	1%	MF	0805	R121
1	30200495	22.1	1/10W	1%	MF	0805	R25
1	30240210	5 OHM	12A		INRUSH	LIMITER	R117
1	30241255	30K	THERMISTOR		PROBE	W/LEADS	R29
1	30250080	100	2W	5%	MO	AXL	R86
1	30250081	22K	2W	5%	MO	AXL	R3
3	30300069	0.22UF	50V	10%	X7R	1206	C51 C52 C65
2	30300080	10UF	16V	20%	EL	SMT4	C26 C29
1	30300083	100UF	16V	20%	EL	SMT6	C28
4	30300084	2.2UF	35V	20%	ELN	SMT4	C6 C31 C33 C57
1	30300086	10PF	50V	5%	NPO	0805	C1
1	30300088	100PF	50V	5%	NPO	0805	C11
1	30300090	470PF	50V	5%	NPO	0805	C2
9	30300093	0.1UF	50V	10%	X7R	0805	C41 C47 C63 C64 C66 C67 C68 C69 C70
1	30300097	100UF	25V	20%	EL	SMT8	C55
1	30300098	220UF	50V	20%	EL	SMT10	C38
1	30300099	22UF	50V	20%	EL	SMT6	C32
1	30300116	0.01UF	50V	5%	X7R	0805	C72
13	30300121	0.1UF	50V	5%	X7R	0805	C5 C7 C8 C9 C10 C12 C13 C14 C15 C21 C27 C34 C78
1	30300147	680PF	50V	5%	NPO	0805	C4
1	30300152	100UF	16V	20%	EL	LOZ SMT6	C25
1	30300204	0.1UF	250V	10%	X7R	1210	C23
5	30300237	22UF	16V	20%	EL	SMT4	C30 C35 C44 C45 C46
5	30320186	1000UF	35V	20%	EL	RAD	C18 C39 C40 C42 C43

1	30320266	10UF	250V 20% EL	RAD	C48
2	30320320	220PF	1000V 20% CER	RAD	C58 C59
2	30320322	2200PF	250V 20% "Y"	RADH	C50 C56
2	30320335	3300UF	16V 20% EL	RADH	C53 C54
2	30320512	220UF	350V 20% EL	SNPHT3	C36 C37
2	30320552	1800UF	200V 20% EL	SNPHT3	C61 C62
1	30320556	0.1UF	275V 10% "X"	RADH	C71
1	30320569	470PF	400V 20% PP	RADH	C20
1	30320571	220PF	400V 20% PP	RADH	C60
1	30320592	680UF	20% 400V ELECTROLYTIC	CA	C22
1	30330113	0.1UF	100V 10% PPS	RAD	C24
2	30330157	1.0UF	400V 5% PP	RAD	C75 C76
3	30330158	1UF	63V 5% PES	RAD	C16 C17 C49
1	30330162	2200PF	500V 5% PE	RADH	C19
1	30400016	79L15	-15V VREQ	TCLOCKO92	U5
1	30400026	1A	600V 35N	-DIODE T&R	D17
1	30400099	TRIAC	400V 16A	TO220 INS	TR1
1	30400173	CNY17-3F	BASELESS	OPTO	Q25
1	30400318	7815F	+15V INS	TO-220F HOR	U2
1	30400605	BR RECT	INLINE 600V	6A	U11
1	30400635	MOC635A	OPTO COUPLER/ISO		Q23
1	30400994	FQPF8N80C	N-CH MOSFET		Q1
1	30401003	200V,15A	ULTRA FAST	DIODE	D19
1	30401377	NCP11377BP	PWM CONTROLLER		U10
1	30404006	BR RECT	INLINE 600V	40A	U4
1	30404793	2SC4793	NPN TO-220	230V	Q22
4	30406060	FFPF60SA60DS	600V 8A SERIES	DI	D23 D24 D25 D26
1	30409186	FII30-06D	IGBT PHASE	LEG ISOP	Q24

2	30418110	LM339 QUAD COMPARATOR SMT	U7 U8
10	30418135	2N3904 NPN SOT23	Q2 Q3 Q4 Q5 Q8 Q10 Q11 Q12 Q15 Q20
1	30418136	MMBT5401 PNP SOT23	Q7
1	30418138	J111 JFET N SOT23	Q6
1	30418166	ZR431F ADJ SHUNT REG SMT	U6
1	30418272	1A 600V FAST RECOVERY RECT	D18
2	30418274	LM393M DUAL COMPARATOR	U12 U13
3	30418328	1N4148W SWITCHING DIODE	D5 D6 D7
10	30418374	MURS120T3 - SMT - SMB PKG	D3 D4 D9 D10 D11 D12 D13 D14 D15 D16
1	30418389	5.1V ZENER (SOD123)-SMT	D2
1	30418402	12V ZENER (SOD123)-SMT	D1
2	30418504	15V 1.5W ZENER SMA	D20 D21
1	30418610	IXDI502SI DL LOW-SIDE MOSFET D	U3
1	30418642	UC3825 PWM CONTROLLER SO-16W	U9
1	30418693	68V 500MW ZENER DIODE SOD123	D8
1	30500041	PA1081 FLYBACK TRANSFORMER	T2
1	30500119	VB-3 HALF-BRIDGE XFMR	T4
2	30500165	100UH, 5A H INDUCTOR	L6 L7
1	30500558	SMALL GATE DRIVE TRANSFORMER	T3
1	30510005	6MH COMMON-MODE CHOKE	T5
5	30519913	15 MICRO H 20% INDUCTOR	L1 L2 L3 L4 L5
1	30551718	CURRENT SENSE TOROID	T1
2	30600136	0 OHM 22GA JMPR AXL	R23 R77
1	30651206	BLK 16G 5" CPTX2	P6
4	30900629	AAVID VER TO220 HEATSINK	HW9 HW10 HW11 HW12
4	30900779	STND .375 T4-40, SW, NB, ST	HW1 HW2 HW5 HW13

4	30901890	STND .375 T4-40SW,AL,ST	HW3 HW4 HW7 HW8
2	31322371	RELAY 12V SPNO 16A SEALED	S1 S2
1	31600254	50 5W 10% WW AXLH LS	R39
2	31600258	100 5W 10% WW AXLH SL	R70 R71
6	33716194	SPADE .250 PC MNT .093	P7 P8 P9 P10 P12 P13
1	33717015	4 HDR V SR .100" TIN LK	P15
3	33717122	2 HDR V SR .100" TIN	P2 P17 P18
3	33719107	2 HDR V SR .156" TIN LK	P1 P3 P16
1	33719111	3 HDR V SR .156" TIN LK	P4
1	CABL13817	16GA W/CRIMP TERM 73713817	P5
6	FIDUCIAL	????????????????????????????	FID1 FID2 FID3 FID4 FID5 FID6

 END OF BILL OF MATERIAL REPORT
