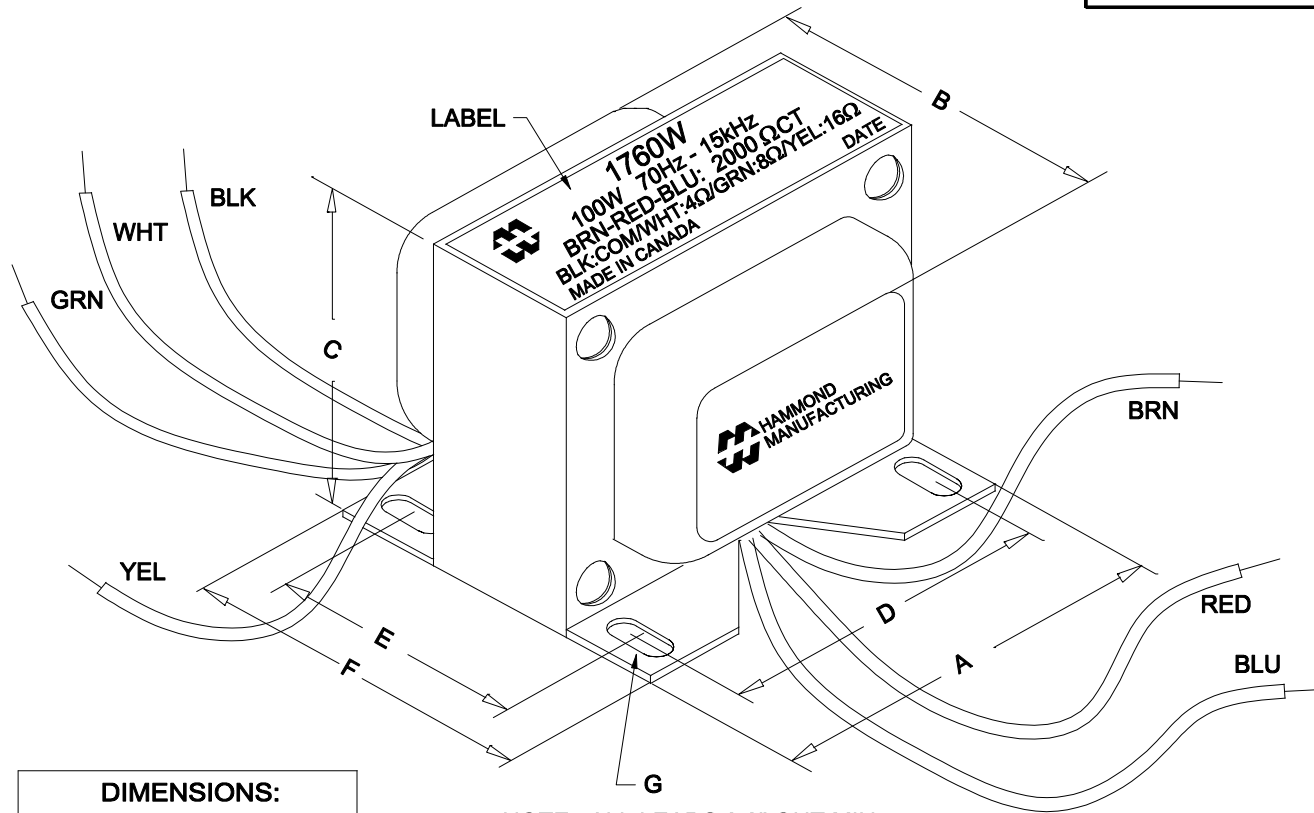


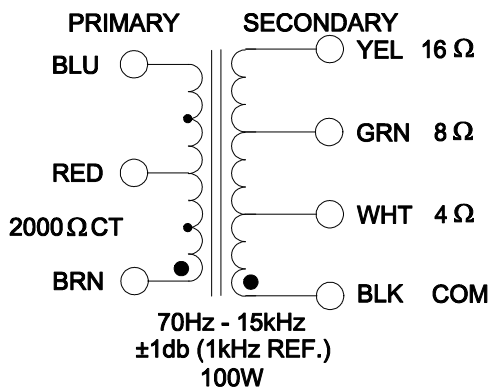
1760W



DIMENSIONS:

A	4.050" ±0.063
B	3.465" ±0.125
C	3.500" ±0.063
D	3.500" ±0.063
E	2.250" ±0.063
F	2.790" ±0.063
G	0.187"X 0.300" ±0.015

NOTE: ALL LEADS 9.0" OUT MIN.



ELECTRICAL DATA:

Turns ratio:	22.35 : 1
Inductance	@240V, 60Hz => 21.22H (Open circuit)
DCR	@ 20C, BRN - RED = 11.4 Ω ±20%
	@ 20C, RED - BLU = 11.4 Ω ±20%
	@ 20C, BLK - GRN = 0.10 Ω ±20%
FREQ. RESP	@ 100W, 70Hz - 15kHz REF. TO 1kHz ±1dB
Pri. Impedance	2000 Ω CT, 447 V
Sec. Impedance	4/8/16 Ω (20/28.28/40V)
Power	100 WATTS

HAMMOND ELECTRONICS
 52 RANKIN PLACE,
 WATERLOO, ONTARIO, N2L 3Z5.
 PHONE (519) 886-6181
 FAX # (519) 886-9540

TITLE		1760W	
		DR BY	B.Pervaiz
1	11/05/09	DATE	08/25/09
NO	DATE	REVISION	DIM IN(X)MM()

1760W

Mouser Electronics

Authorized Distributor

Click to View Pricing, Inventory, Delivery & Lifecycle Information:

[Hammond:](#)

[1760W](#)