

# Service Manual

Created: 05 May 2015



## T5 INFINIUM

### 5-Watt Cage-Style Tube Amplifier Head with INFINIUM Tube Life Multiplier and Reverb

Specifications .....	2
PCB Schematic .....	3
Parts List .....	6
Exploded Drawing .....	15

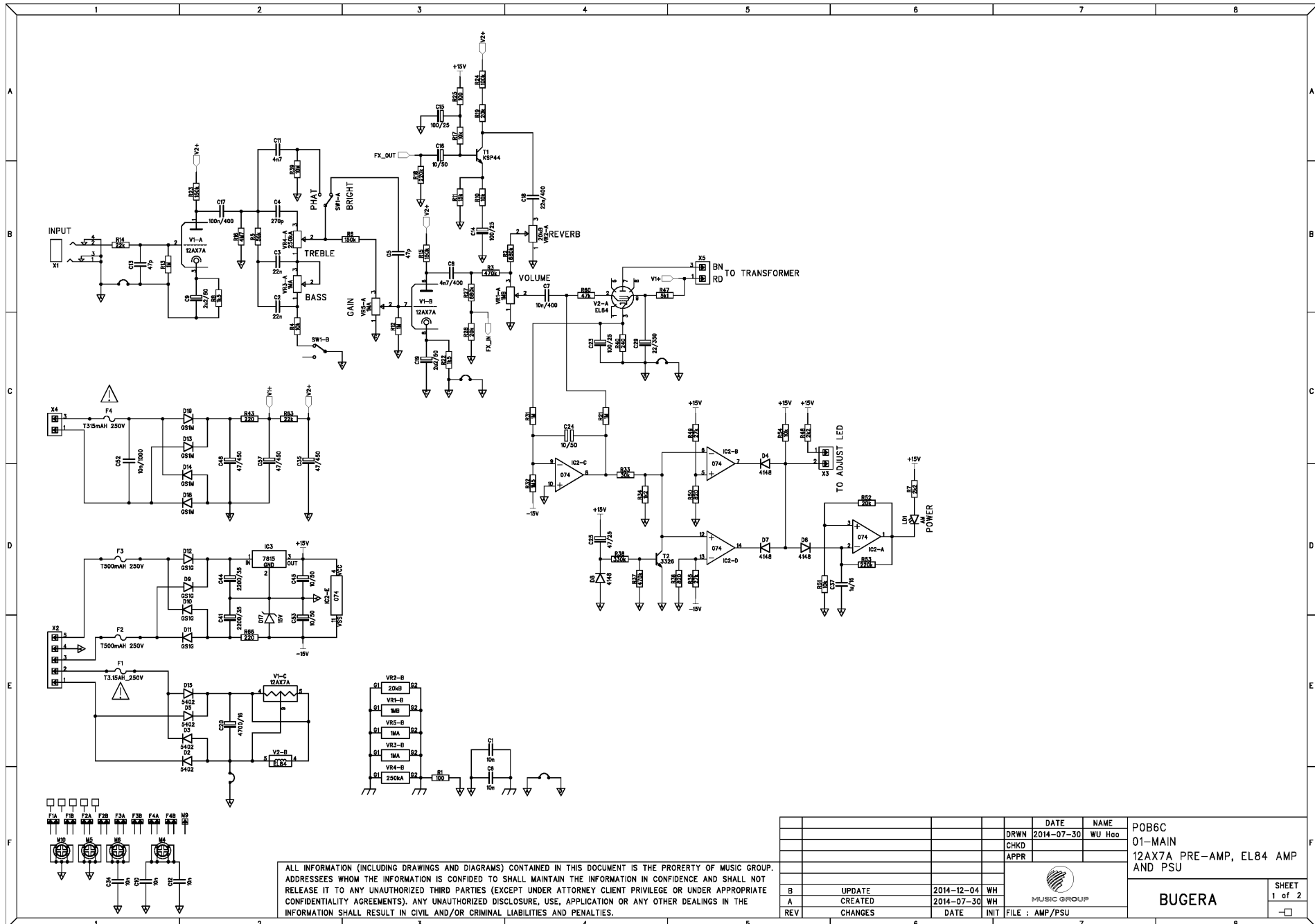
[bugera-amps.com](http://bugera-amps.com)

*Bugera*


# T5 INFINIUM

## Specifications

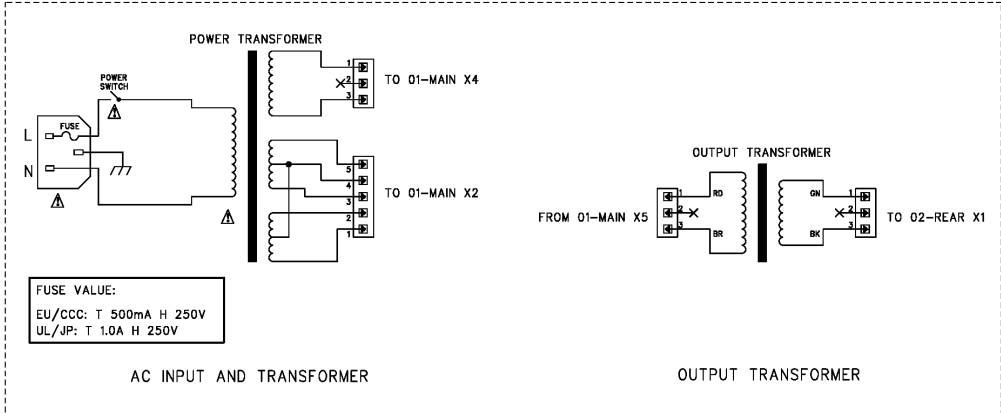
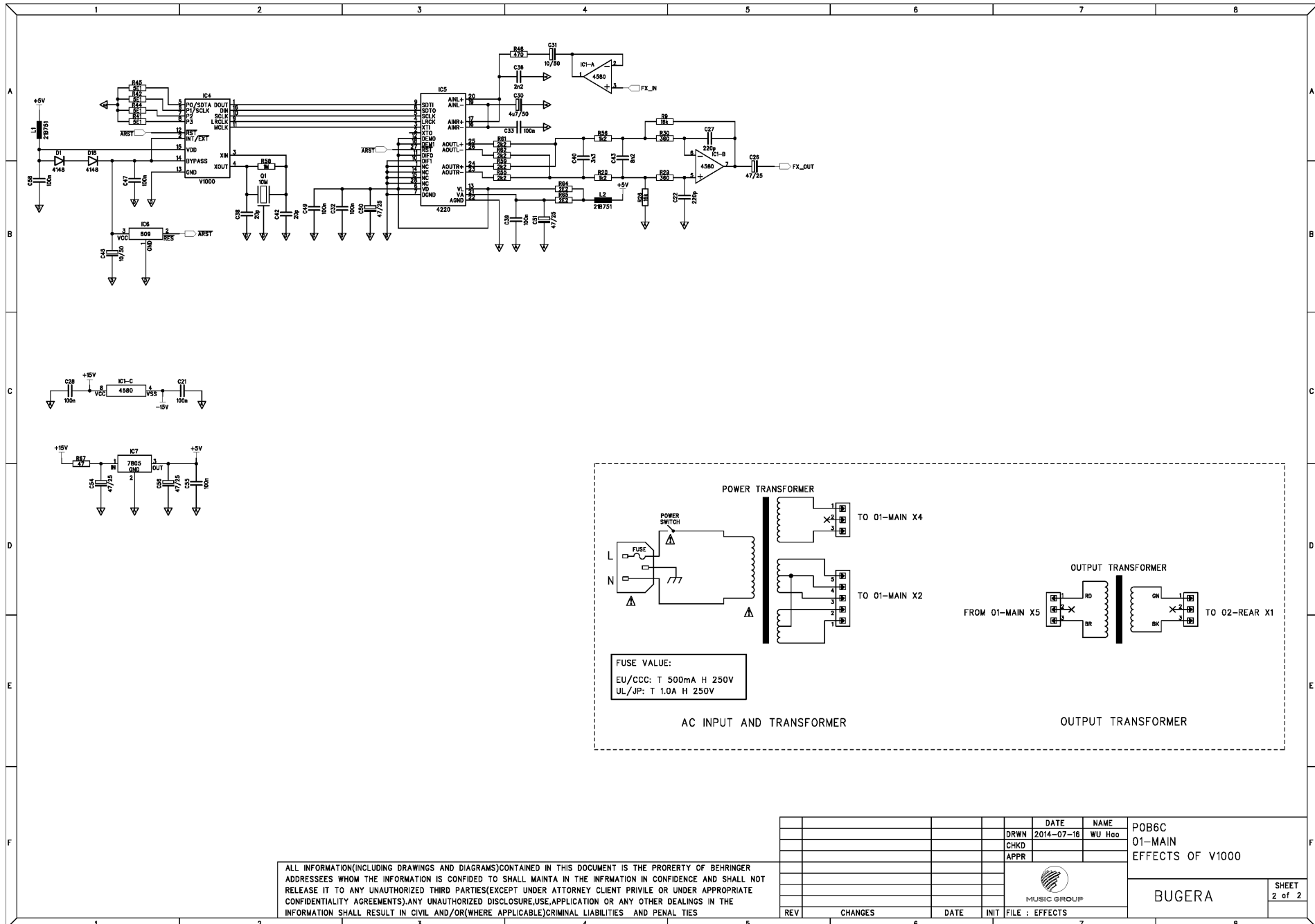
- Hand-built 5-Watt guitar head driven by 1 x 12AX7 and 1 x EL84 tubes
- Authentic preamp design—everything from traditional clean/crunch to modern high-gain sounds
- Revolutionary INFINIUM Tube Life Multiplier technology:
  - Extends the life of your amplifier's expensive power tube up to 20 times
  - Provides incredible reliability and consistent tone over the complete lifespan of your tubes
  - Monitors performance of the power tube continuously and displays defective tube to allow for easy replacement
- Integrated high-definition reverb with dedicated Reverb control
- Vintage Equalizer section with dedicated Bass and Treble controls
- Phat switch to boost the sound character of your guitar playing
- Built-in 2-way Power Attenuator allows you to get ultimate sound at any volume
- Cage style metallic mirror finish and suitcase-type handle redolent of vintage taste
- 3-Year Warranty Program\*
- Designed and engineered by BUGERA Germany



ALL INFORMATION (INCLUDING DRAWINGS AND DIAGRAMS) CONTAINED IN THIS DOCUMENT IS THE PROPERTY OF MUSIC GROUP. ADDRESSEES WHOM THE INFORMATION IS CONFIDED TO SHALL MAINTAIN THE INFORMATION IN CONFIDENCE AND SHALL NOT RELEASE IT TO ANY UNAUTHORIZED THIRD PARTIES (EXCEPT UNDER ATTORNEY CLIENT PRIVILEGE OR UNDER APPROPRIATE CONFIDENTIALITY AGREEMENTS). ANY UNAUTHORIZED DISCLOSURE, USE, APPLICATION OR ANY OTHER DEALINGS IN THE INFORMATION SHALL RESULT IN CIVIL AND/OR CRIMINAL LIABILITIES AND PENALTIES.

		DATE	NAME	P0B6C 01-MAIN 12AX7A PRE-AMP, EL84 AMP AND PSU
		DRWN	WU Hao	
		CHKD		
		APPR		
				BUGERA
B	UPDATE	2014-12-04	WH	
A	CREATED	2014-07-30	WH	
REV	CHANGES	DATE	INIT	FILE : AMP/PSU

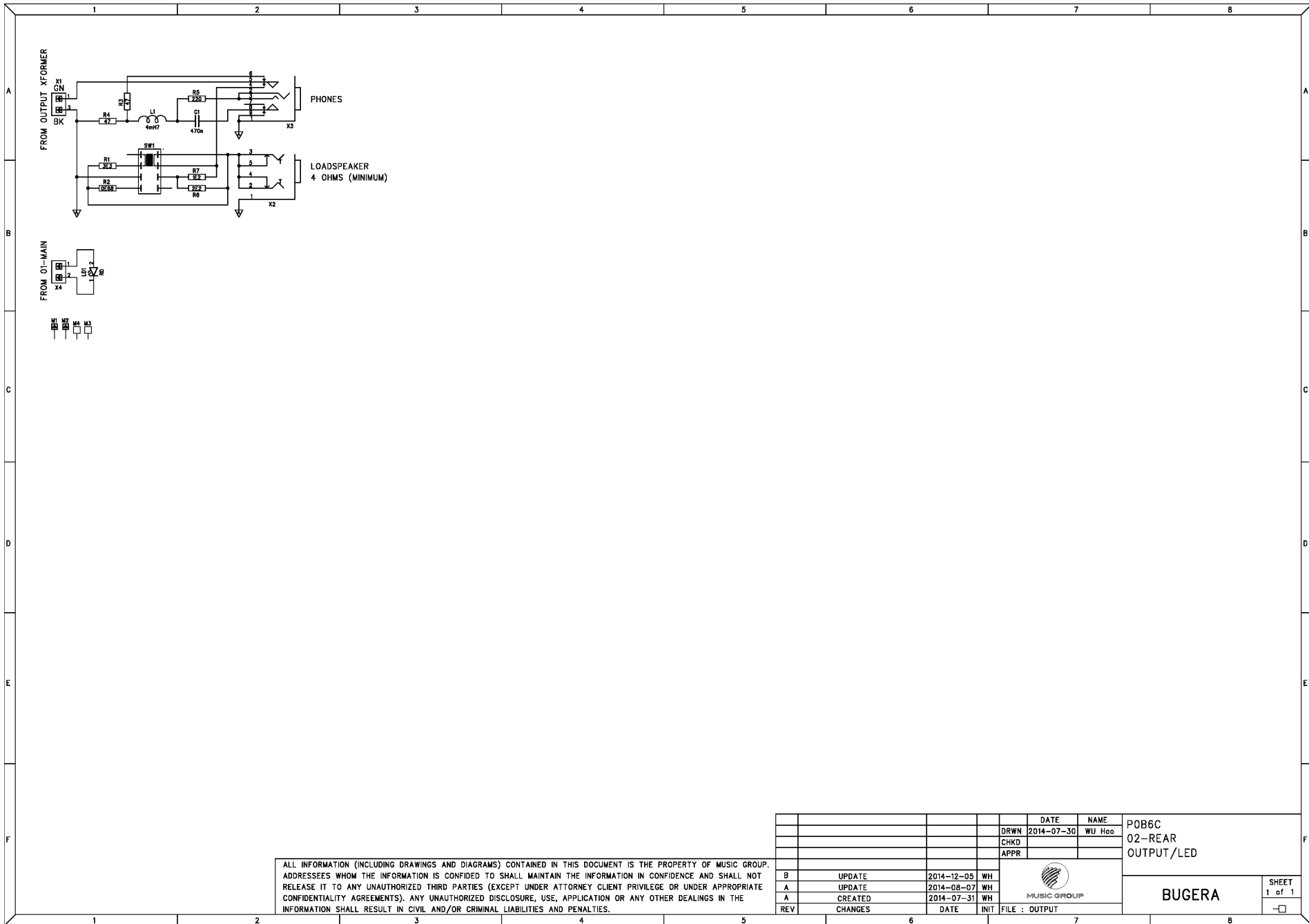
SHEET  
1 of 2



FUSE VALUE:  
 EU/CCC: T 500mA H 250V  
 UL/JP: T 1.0A H 250V

ALL INFORMATION(INCLUDING DRAWINGS AND DIAGRAMS)CONTAINED IN THIS DOCUMENT IS THE PROPERTY OF BEHRINGER ADDRESSEES WHOM THE INFORMATION IS CONFIDED TO SHALL MAINTA IN THE INFIRMATION IN CONFIDENCE AND SHALL NOT RELEASE IT TO ANY UNAUTHORIZED THIRD PARTIES(EXCEPT UNDER ATTORNEY CLIENT PRIVILE OR UNDER APPROPRIATE CONFIDENTIALITY AGREEMENTS).ANY UNAUTHORIZED DISCLOSURE,USE,APPLICATION OR ANY OTHER DEALINGS IN THE INFORMATION SHALL RESULT IN CIVIL AND/OR(WHERE APPLICABLE)CRIMINAL LIABILITIES AND PENAL TIES

REV	CHANGES	DATE	INIT	FILE : EFFECTS	DRWN 2014-07-16	NAME WU Hao	PQB6C 01-MAIN EFFECTS OF V1000
					CHKD		BUGERA
					APPR		
							SHEET 2 of 2



ALL INFORMATION (INCLUDING DRAWINGS AND DIAGRAMS) CONTAINED IN THIS DOCUMENT IS THE PROPERTY OF MUSIC GROUP. ADDRESSEES WHOM THE INFORMATION IS CONFIDED TO SHALL MAINTAIN THE INFORMATION IN CONFIDENCE AND SHALL NOT RELEASE IT TO ANY UNAUTHORIZED THIRD PARTIES (EXCEPT UNDER ATTORNEY CLIENT PRIVILEGE OR UNDER APPROPRIATE CONFIDENTIALITY AGREEMENTS). ANY UNAUTHORIZED DISCLOSURE, USE, APPLICATION OR ANY OTHER DEALINGS IN THE INFORMATION SHALL RESULT IN CIVIL AND/OR CRIMINAL LIABILITIES AND PENALTIES.

				DATE	NAME	POB6C 02-REAR OUTPUT/LED
			DRWN	2014-07-30	WU Hao	
			CHKD			
			APPR			
B	UPDATE	2014-12-05	WH			BUGERA
A	UPDATE	2014-08-07	WH			
A	CREATED	2014-07-31	WH			
REV	CHANGES	DATE	INIT	FILE : OUTPUT		SHEET 1 of 1 <input type="checkbox"/>

## Hi Pcb Assemblies

	Quantity	Unit	S.Sku	M.Sku	Description	Reference Designators	Notes
1	1.0000	PC		A05-B6C01-00102	PCB ASSEMBLY;POB6C;PCB:1;REV:B,HI;MAIN		
2	1.0000	PC		A05-B6C02-00102	PCB ASSEMBLY;POB6C;PCB:2;REV:B,HI;REAR		

## Assembly

	Quantity	Unit	S.Sku	M.Sku	Description	Reference Designators	Notes
1	1.0000	PC		A05-B6C01-00202	PCB ASSEMBLY;POB6C;PCB:1;REV:B,SD;MAIN		
2	1.0000	PC		A05-B6C01-00302	PCB ASSEMBLY;POB6C;PCB:1;REV:B,AI;MAIN		
3	1.0000	PC		A05-B6C02-00302	PCB ASSEMBLY;POB6C;PCB:2;REV:B,AI;REAR		

## Cable

	Quantity	Unit	S.Sku	M.Sku	Description	Reference Designators	Notes
1	1.0000	PC		A81-11000-26002	WIRE HARNESS;LENGTH:110mm;AWG:26;JUL2468;POLES:2;HOUSING - BOARD IN CONNECTOR;P:2mm;PIN1 RED/OTHERS BLK	[POB6C:2: {1.0}(X4)]	
2	1.0000	PC	Q76-15222-06417	A76-15222-06417	CABLE;AC-CORD;W/POLYBAG;LENGTH:152cm;AWG:18;VERSION;UL;SPEC.NO:06417		(UL)
3	1.0000	PC	Q76-15212-03119	A76-15212-03119	CABLE;AC-CORD;W/POLYBAG;LENGTH:152cm;H05VV-F 3G 0.75MM2;VERSION;EU;SPEC.NO:03119		(EU)
4	1.0000	PC	Q76-15042-05624	A76-15042-05624	CABLE;AC-CORD;W/POLYBAG;LENGTH:150cm;H05VV-F3G0.75MM2;VERSION;UK;SPEC.NO:05624		(UK)
5	1.0000	PC	Q76-00000-13573	A76-00000-13573	CABLE;AC-CORD;3;AR;1500 MM;Plug + Connector:321+730;H05VV-F 3G0.75		(AR)
6	1.0000	PC	Q76-00000-05305	A76-00000-05305	CABLE;AC-CORD;3;BR;1500 MM;Plug + Connector:375+730;H05VV-F 3G0.75		(BR)
7	1.0000	PC	Q76-18050-47490	A76-18050-47490	CABLE;AC-CORD;LENGTH:180cm;VERSION:SAA;PLUG:HE105 ISOLATED;SAA H05VV-F 3x0.75mm2;CONN.HP-3;SPEC.NO:47490		(SAA)
8	1.0000	PC	Q76-15032-55649	A76-15032-55649	CABLE;AC-CORD;CLASS II;W/POLYBAG;JAPAN;LENGTH:150cm;POLES:3;APPROVAL:PSE;JS155 3 + VCTF 3x0.75mm2 + V1528		(HM, SH)

Capacitor

	Quantity	Unit	S.Sku	M.Sku	Description	Reference Designators	Notes
1	5.0000	PC			CAP E;47uF;25V;PITCH:2mm5;5mm x 11mm;VERTICAL 12.7-15-9mm	[P0B6C:1: {5.0}(C26,C50-C51,C54,C56)]	*NOT available in DP
2	2.0000	PC			CAP E;100uF;25V;PITCH:2mm5;6mm x 12mm;VERTICAL 12.7-15-9mm	[P0B6C:1: {2.0}(C14-C15)]	*NOT available in DP
3	1.0000	PC			CAP E;4uF7;50V;PITCH:2mm5;5mm x 11mm;VERTICAL 12.7-15-9mm	[P0B6C:1: {1.0}(C30)]	*NOT available in DP
4	2.0000	PC			CAP E;10uF;50V;PITCH:2mm5;5mm x 11mm;VERTICAL 12.7-15-9mm	[P0B6C:1: {2.0}(C31,C46)]	*NOT available in DP
5	1.0000	PC			CAP CER;1uF;16V;X7R;10%;SMT805	[P0B6C:1: {1.0}(C37)]	*NOT available in DP
6	2.0000	PC			CAP CER;20pF;50V;20%;SMT603	[P0B6C:1: {2.0}(C38,C42)]	*NOT available in DP
7	2.0000	PC			CAP CER;220pF;50V;10%;SMT603	[P0B6C:1: {2.0}(C22,C27)]	*NOT available in DP
8	1.0000	PC			CAP CER;2nF2;50V;10%;SMT603	[P0B6C:1: {1.0}(C36)]	*NOT available in DP
9	1.0000	PC			CAP CER;3nF3;50V;10%;SMT603	[P0B6C:1: {1.0}(C40)]	*NOT available in DP
10	1.0000	PC			CAP CER;8nF2;50V;10%;SMT603	[P0B6C:1: {1.0}(C43)]	*NOT available in DP
11	5.0000	PC			CAP CER;10nF;50V;10%;SMT603	[P0B6C:1: {5.0}(C1,C6,C10,C12,C34)]	*NOT available in DP
12	9.0000	PC			CAP CER;100nF;50V;10%;SMT603	[P0B6C:1: {9.0}(C21,C28,C32-C33,C39,C47,C49,C55,C58)]	*NOT available in DP
13	2.0000	PC			CAP CER;47pF;50V;C0G;5%;SMD805	[P0B6C:1: {2.0}(C5,C13)]	*NOT available in DP
14	1.0000	PC			CAP CER;270pF;50V;10%;SMT805	[P0B6C:1: {1.0}(C4)]	*NOT available in DP
15	2.0000	PC			CAP CER;22nF;50V;C0G;5%;SMD805	[P0B6C:1: {2.0}(C2-C3)]	*NOT available in DP
16	1.0000	PC			CAP CER;4nF7;50V;X7R;10%;SMD805	[P0B6C:1: {1.0}(C11)]	*NOT available in DP
17	1.0000	PC			CAP FILM;470nF;63V;MPF;10%;PITCH:5mm;BOX;VERTICAL 12.7-15-9mm	[P0B6C:2: {1.0}(C1)]	*NOT available in DP
18	1.0000	PC			CAP E;BIPOLAR;10uF;50V;20%;SIZE:5mmx11mm;PITCH:2mm5;VERTICAL 12.7-15-9mm	[P0B6C:1: {1.0}(C24)]	*NOT available in DP
19	1.0000	PC			CAP E;22uF;350V;20%;PITCH:5mm;12mm5 x 20mm;105 C;VERTICAL 12.7-15-9mm	[P0B6C:1: {1.0}(C29)]	*NOT available in DP
20	3.0000	PC			CAP E;47uF;450V;20%;PITCH:7mm5;18mm x 25mm;PRE CUT:3mm2-0/+0mm2;105 C	[P0B6C:1: {3.0}(C35,C48,C57)]	*NOT available in DP
21	1.0000	PC			CAP FILM;4nF7;400V;MPF;10%;PITCH:5mm;MINIBOX; VERTICAL 12.7-15-9mm	[P0B6C:1: {1.0}(C8)]	*NOT available in DP
22	1.0000	PC			CAP FILM;10nF;400V;MPF;10%;PITCH:5mm;BOX;VERTICAL 12.7-15-9mm	[P0B6C:1: {1.0}(C7)]	*NOT available in DP
23	1.0000	PC			CAP FILM;22nF;400V;MPF;10%;PITCH:5mm;VERTICAL 12.7-15-9mm	[P0B6C:1: {1.0}(C18)]	*NOT available in DP
24	1.0000	PC			CAP FILM;100nF;400V;MPF;10%;PITCH:5mm;BOX	[P0B6C:1: {1.0}(C17)]	*NOT available in DP
25	1.0000	PC			CAP FILM;10nF;MPP;5%;PITCH:1.5mm;BOX;1000V;PRE CUT:3mm1 +/-0mm5	[P0B6C:1: {1.0}(C52)]	*NOT available in DP
26	1.0000	PC			CAP E;47uF;25V;PITCH:2mm5;5mm x 11mm;105C;VERTICAL 12.7-15-9mm	[P0B6C:1: {1.0}(C25)]	*NOT available in DP
27	1.0000	PC			CAP E;100uF;25V;PITCH:2mm5;6mm3 x 11mm;105C;VERTICAL 12.7-15-9mm	[P0B6C:1: {1.0}(C23)]	*NOT available in DP
28	2.0000	PC			CAP E;2uF2;50V;PITCH:2mm5;5mm x 11mm;VERTICAL 12.7-15-9mm	[P0B6C:1: {2.0}(C9,C19)]	*NOT available in DP
29	3.0000	PC			CAP E;10uF;50V;PITCH:2mm5;5mm x 11mm;105C;VERTICAL 12.7-15-9mm	[P0B6C:1: {3.0}(C16,C45,C53)]	*NOT available in DP
30	1.0000	PC			CAP E;105C;4.7 mF;16 V;20 %;16mm x 25mm;PITCH:7.5 mm;PRE CUT:3mm2 -0/+0mm2	[P0B6C:1: {1.0}(C20)]	*NOT available in DP
31	2.0000	PC			CAP E;2mF2;35V;20%;PITCH:7mm5;16mm x 25mm;PRE CUT:3mm2 -0/+0mm2;105C	[P0B6C:1: {2.0}(C41,C44)]	*NOT available in DP

## Circuit Protector

	Quantity	Unit	S.Sku	M.Sku	Description	Reference Designators	Notes
1	8.0000	PC	R21-15201-52000	B21-15201-52000	FUSE CLIP;2 A;V;ZINC PLATING;250V;SERIES;520;FUSE;250 V;PLATING	[P0B6C:1: {8.0}{F1A-F4A,F1B-F4B}]	
2	1.0000	PC	R22-01512-31501	B22-01512-31501	FUSE;315mA;250V;SLOW BLOW;H-TYPE;5mm x 20mm	[P0B6C:1: {1.0}{F4}]	
3	1.0000	PC	R22-01513-31501	B22-01513-31501	FUSE;3A15;250V;SLOW BLOW;H-TYPE;5mm x 20mm	[P0B6C:1: {1.0}{F1}]	
4	1.0000	PC	R22-01513-10001	B22-01513-10001	FUSE;1A0;250V;SLOW BLOW;H-TYPE;5mm x 20mm		(UL, BR, HM, SH)
5	2.0000	PC	R22-01512-50001	B22-01512-50001	FUSE;500mA;250V;SLOW BLOW;H-TYPE;5mm x 20mm	[P0B6C:1: {2.0}{F2-F3}]	(UL, BR, HM, SH)
6	3.0000	PC	R22-01512-50001	B22-01512-50001	FUSE;500mA;250V;SLOW BLOW;H-TYPE;5mm x 20mm		(EU, UK, SAA, AR)

## Coil

	Quantity	Unit	S.Sku	M.Sku	Description	Reference Designators	Notes
1	1.0000	PC		B32-34703-05136	COIL;AXIAL;4mH7;55mA;P:5mm;T/R;(EC46-472K-T5A);SPEC.NO:05136	[P0B6C:2: {1.0}{L1}]	
2	2.0000	PC	R39-00000-03394	B39-00000-03394	COIL;SMD;BEAD;SMD0805;(BLM21BD751SN1D)	[P0B6C:1: {2.0}{L1-L2}]	

## Connector

	Quantity	Unit	S.Sku	M.Sku	Description	Reference Designators	Notes
1	2.0000	PC	R84-25016-06014	B84-25016-06014	CRIMP TERMINAL;PITCH:2mm0;AWG24-30;A2008TOP-2		
2	1.0000	PC	R84-42050-00155	B84-42050-00155	CRIMP CONNECTOR;LUG;INNER DIA:4mm3;AWG 14-18;WIRE MOUNT;STRAIGHT		

## Diode

	Quantity	Unit	S.Sku	M.Sku	Description	Reference Designators	Notes
1	4.0000	PC			DIODE;1N5402;DO201AD;TEMIC OR FC	[P0B6C:1: {4.0}{D2-D3,D5,D15}]	*NOT available in DP
2	6.0000	PC			DIODE;LL4148;LL34;TEMIC OR FC	[P0B6C:1: {6.0}{D1,D4,D6-D8,D16}]	*NOT available in DP
3	4.0000	PC			DIODE;GP;GS1G;400V;1A;DO-214AC;SMD	[P0B6C:1: {4.0}{D9-D12}]	*NOT available in DP
4	1.0000	PC			DIODE;ZD15V0;BZX85C15;DO41	[P0B6C:1: {1.0}{D17}]	*NOT available in DP
5	4.0000	PC			DIODE;RECTIFIER;SMD;SMA;1A;1000V;GS1MW	[P0B6C:1: {4.0}{D13-D14,D18-D19}]	*NOT available in DP



Hardware

	Quantity	Unit	S.Sku	M.Sku	Description	Reference Designators	Notes
1	1.0000	PC			CABLE TIE;NYLON;4in;COLOR:		*NOT available in DP
2	0.5000	G			SCREWLOCK;SPEC.NO:01090		*NOT available in DP
3	1.0000	PC			NUT;M;4 MM;4.2 MM;HEX WASHER;8.3 MM;ZINC;BLUE;HEXAGON REC.;0.5 MM;M4*0.75mm NUT WITH TEETH EXTERNAL WASHER		*NOT available in DP
4	1.0000	PC			HEX.NUT;12 MM;2 MM;NICKEL;SILVER;0.75 MM		*NOT available in DP
5	1.0000	PC			HEX.NUT T-NUT;11.11 MM;4 MM;17 MM;NICKEL;SILVER;OCT. NUT;7/16" x G20		*NOT available in DP
6	1.0000	PC			HEX.NUT T-NUT;M;9 MM;3.5 MM;15 MM;NICKEL;SILVER;0.75 MM;OCT. NUT;M9 x 0.75		*NOT available in DP
7	4.0000	PC			HEX. NUT;INNER DIA;M5mm;SURFACE:ZINC		*NOT available in DP
8	5.0000	PC			HEX PIPE-NUT;THREAD-DIA;M9mm;HEIGHT:2mm;SURFACE:ZINC		*NOT available in DP
9	1.0000	PC			OCT. NUT;FOR JACK;3/8in;OCTWRENCH:14.5mm;THICKNESS:3.5mm;SURFACE:NICKEL/SILVER		*NOT available in DP
10	1.0000	PC			HEX. NUT;INNER DIA:13mm;SURFACE:ZINC		*NOT available in DP
11	4.0000	PC	V87-00200-10103	F87-00200-10103	RUBBER BUSHING;I00172P;DST.NO:002;DPT.NO:10103;(I00172P-RUBBER_BUSHING-REVb.dwf)		
12	4.0000	PC			SCREW;M;DIA:5 MM;LEN:11 MM;OVAL;OD:10 MM;CHROME;CROSS REC.;PITCH:0.8 MM;MECHANICAL SCREW,C1018		*NOT available in DP
13	2.0000	PC			SCREW;M3mm*3mm;HEAD:PAN WASHER DIA 4mm5;INSERT:PHILIPS REC.;SURFACE:BLACK/ZINC		*NOT available in DP
14	2.0000	PC			SCREW;BT3mm*6mm;HEAD:PAN;INSERT:PHILIPS REC.;SURFACE:ZINC		*NOT available in DP
15	4.0000	PC			SCREW;M3mm*6mm;HEAD:PAN;INSERT:PHILLIPS REC.;SURFACE:BLACK/ZINC		*NOT available in DP
16	8.0000	PC			SCREW;M3mm*7mm;HEAD:BINDING;INSERT:PHILIPS REC.;SURFACE:SILVER/ZINC		*NOT available in DP
17	4.0000	PC			SCREW;M3mm*8mm;HEAD:PAN;INSERT:PHILLIPS REC.;SURFACE:BLACK/ZINC		*NOT available in DP
18	2.0000	PC			SCREW;M3mm*8mm;HEAD:FLAT;INSERT:PHILLIPS REC.;SURFACE:ZINC/BLACK		*NOT available in DP
19	5.0000	PC			SCREW;M03mm*08mm;HEAD:PAN SPRING WASHER;INSERT:PHILIPS REC.;SURFACE:SILVER/ZINC		*NOT available in DP
20	4.0000	PC			SCREW;M5mm*10mm;HEAD:PAN;INSERT:PHILLIPS REC.;SURFACE:BLACK/ZINC		*NOT available in DP
21	0.0100	M			SHRINKING TUBE;INNER DIA;3mm;SPEC.NO:01097		*NOT available in DP
22	0.0600	M			SHRINKING TUBE;INNER DIA;4mm;SPEC.NO:01098		*NOT available in DP
23	0.0400	M			SHRINKING TUBE;INNER DIA;6mm;SPEC.NO:01099		*NOT available in DP
24	0.0400	M			SHRINKING TUBE;INNER DIA:25mm;THICKNESS:0mm5;		*NOT available in DP
25	2.0000	PC			WASHER;9.7 MM;16 MM;NICKEL;WHITE;WASHER;FLAT;DIM:9.7*16*0.5mm;NIC		*NOT available in DP
26	1.0000	PC			WASHER;10.9 MM;0.5 MM;18 MM;NICKEL;SILVER;PLAIN		*NOT available in DP
27	2.0000	PC			WASHER;PLAIN;INNER DIA:3mm;OUTER DIA:8mm;THICKNESS;1mm;PLATING;NICKEL		*NOT available in DP
28	4.0000	PC			WASHER;PLAIN;INNER DIA:5mm;OUTER DIA:10mm;THICKNESS;1mm;PLATING;BLACK/ZINC		*NOT available in DP
29	6.0000	PC			WASHER;PLAIN;INNER DIA:9mm6;OUTER DIA:13mm;THICKNESS;0mm5;PLATING;NICKEL		*NOT available in DP
30	2.0000	PC			WASHER;PLAIN;INNER DIA:12mm3;OUTER DIA:16mm6;THICKNESS:0mm5;SURFACE:NICKEL/SILVER		*NOT available in DP
31	4.0000	PC			WASHER;SPRING;INNER DIA:5mm;OUTER DIA:8mm;THICKNESS;1mm7		*NOT available in DP

	Quantity	Unit	S.Sku	M.Sku	Description	Reference Designators	Notes
32	1.0000	PC			WASHER;SPRING;INNER DIA:14mm5;OUTER DIA:17mm;THICKNESS:1mm5;PLATING:NICKEL		*NOT available in DP
33	2.0000	PC			SILICA GEL;MASS;10g;SPEC.NO:10QB-BB2001-4		*NOT available in DP
34	1.0000	PC			SILICA GEL;MASS;10g;SPEC.NO:10QB-BB2001-4		*NOT available in DP

**Ic**

	Quantity	Unit	S.Sku	M.Sku	Description	Reference Designators	Notes
1	1.0000	PC	S60-54422-00528	C60-22422-00528	IC;AD/DA;V4220M;SSOP	[P0B6C:1: {1.0}(IC5)]	
2	1.0000	PC		C73-00000-29050	IC;OPAMP;SMD;SOP;8;BA4580RF	[P0B6C:1: {1.0}(IC1)]	
3	1.0000	PC	S73-58007-40514	C73-31007-40514	IC;OPAMP OPAMP;TL074;SOP;	[P0B6C:1: {1.0}(IC2)]	
4	1.0000	PC	S77-05107-03110	C77-05107-03110	IC;VOLT.REGULATOR;7805F;FULLPACK;TO220	[P0B6C:1: {1.0}(IC7)]	
5	1.0000	PC	S77-15107-03010	C77-15107-03010	IC;VOLT.REGULATOR;L7815CV-DG;TO220	[P0B6C:1: {1.0}(IC3)]	
6	1.0000	PC	T12-00100-02216	D12-00100-02217	IC;DIG COMM.;EUROTEC;V1000;SOIC	[P0B6C:1: {1.0}(IC4)]	
7	1.0000	PC	T24-48030-02803	D24-48030-02803	IC;MICROCONTROLLER;MAX809STRG;Vth:2.93V;SOT	[P0B6C:1: {1.0}(IC6)]	

**Led**

	Quantity	Unit	S.Sku	M.Sku	Description	Reference Designators	Notes
1	1.0000	PC	U10-51610-05431	E10-51610-05431	LED HIB;3mm ROUND;AMBER;VERTICAL;NO RING;WAVELENGTH:610 nm	[P0B6C:1: {1.0}(LD1)]	
2	1.0000	PC	U12-57630-00590	E12-57630-00590	LED;3mm ROUND;RD	[P0B6C:2: {1.0}(LD1)]	

**Metal Part**

	Quantity	Unit	S.Sku	M.Sku	Description	Reference Designators	Notes
1	1.0000	PC		A65-00001-16449	METAL;BOTTOM;P0B6C;MATERIAL:SECC 1.5mm;MATTE;STAMPING + BENDING;SPRAYING;BLACK;BOTTOM_CASE		
2	1.0000	PC		A65-00001-16452	METAL;P0B6C;MATERIAL:SPCC 1.5mm;STAMPING + BENDING;ELECTRONIC PLATING;CHROME;SHIELD CABINET		
3	1.0000	PC		J05-00001-04426	METAL;SHELL;P0B6C;MATERIAL:SECC 1.5mm;SPRAYING;BLACK;A001		

**Plastic Part**

	Quantity	Unit	S.Sku	M.Sku	Description	Reference Designators	Notes
1	4.0000	PC		G51-00100-15460	RUBBER FOOT;HARDNESS 75;BLACK;DIA.18X9.8MM;HOLE SIZE 3.5MM;METAL WASHER;DST.NO:001;DPT.NO:1546;(MI-RUBFEET_18X9MM8-REVA.DWG);DIA.18x9.8mm;HOLE SIZE 3.5mm		
2	5.0000	PC		G52-00001-15218	PLASTIC;KNOB;POB47;ABS PA747;BLACK;ROTARY KNOB		
3	1.0000	PC	W52-00100-14962	G52-00100-14962	PLASTIC;PUSH KNOB;I00499P;BLACK CHROME;DST.NO:001;DPT.NO:14962;(I00499P-PUSH_KNOB-REVA)		
4	1.0000	PC		G53-00000-04668	PLASTIC;JEWEL;P0404;AMBER TRANSLUCENT		
5	2.0000	PC		G53-00000-12925	PLASTIC;P0806;RUBBER 70degC;GROMMET;BLACK;12AX7;REV:C		
6	2.0000	PC		G53-00000-66871	PLASTIC;P0A19;PC;SPACER;INJECTION;NATURAL;BLACK;BK.PC		
7	1.0000	PC	W53-40900-05211	G53-40900-05211	LEATHER;HANDLE;P0738;BLACK LEATHER+SILVER METAL		
8	1.0000	PC		G58-00001-04086	PLASTIC;LOGO;POB47;ABS;HOT STAMPING;SILVER, HOT STAMPING		
9	1.0000	PC		G58-00300-08619	PLASTIC;SPACER;PC;MOULDING;BLACK;3MM VERTICAL;DST.NO:003;DPT.NO:08619;(I00129P-LED_SPACER-REV.C.DWG)		
10	1.0000	PC		G58-00300-11128	PLASTIC;SPACER;P0062;MOULDING;BLACK;LED SPACER2;DI100 DSP110;DST.NO:003;DPT.NO:11128;(R14-DI100-LEDSPACER2-REV.C.DWG)		

**Plug Socket**

	Quantity	Unit	S.Sku	M.Sku	Description	Reference Designators	Notes
1	1.0000	PC	W64-01211-04317	G64-01211-04317	PLUG;PLUG;JACK STEREO 6mm3;STRAIGHT SOLDER;W/O MET.RNG.;MET.BUSH;NO NUT/WASHER;(JY-6338-01-090/1)	[P0B6C:2: {1.0}(X3)]	
2	1.0000	PC	W64-16112-00062	G64-16112-00062	PLUG;JACK MONO 6mm3;STRAIGHT SOLDER;DUAL TIP/NO RING CONTACTS;MET.BUSH;NO NUT/WASHER;(CHUNSHENG PJ-636HA)	[P0B6C:2: {1.0}(X2)]	
3	1.0000	PC		G64-25272-06052	PLUG;JACK STEREO 6mm3;ANGLED;W/O MET.RNG.;W/O NUT ONLY;(CHUNG YEN HSJ-064-20-P)	[P0B6C:1: {1.0}(X1)]	
4	1.0000	PC	W67-20103-01396	G67-20103-01396	PLUG;AC SOCK;W FUSE;COLOR:BLK;POLES:03;(RONG-FENG RF-2004-C-4.8)		
5	1.0000	PC		G71-00000-03961	WAFER;V1000-14B;0.35um;LOGIC-3.3V(1P4M)		
6	1.0000	PC		G71-23102-04756	WAFER;POLES:2;STRAIGHT;PITCH:2 mm;1 ROW;TYPE:A2006WV-2P	[P0B6C:1: {1.0}(X3)]	
7	3.0000	PC	W71-27102-04450	G71-27102-04450	WAFER;POLES:2;STRAIGHT;PITCH:3.96 mm;1 ROW;JS1120-03-S1;NO MIDDLE PIN	[P0B6C:1: {2.0}(X4-X5)]	
8	1.0000	PC		G71-27105-04761	WAFER;POLES:5;STRAIGHT;PITCH:3.96 mm;1 ROW;JS1120-05	[P0B6C:1: {1.0}(X2)]	
9	1.0000	PC		G71-43102-05994	PLUG;HOUSING;POLES:2;ROWS:1;STRAIGHT;PITCH:2mm;TYP:A2008		
10	2.0000	PC	W71-80000-05663	G71-80000-05663	BD.-IN-CONN;TERMINAL;SAN-002T-0.8A		
11	1.0000	PC	W71-83102-05642	G71-83102-05642	BOARD-IN-CONNECTOR;POLES:2;ROWS:1;STRAIGHT;PITCH:2 mm		
12	2.0000	PC	W73-28509-01218	G73-28509-01218	SOCKET;POLES:09;VACUUM TUBE;FOR 12AX7;CERAMIC;COLOR:WHT;W/ SOLDER LUGS;VERSION1;TUS9PC9C	[P0B6C:1: {2.0}(V1-V2)]	

**Power Supply**

	Quantity	Unit	S.Sku	M.Sku	Description	Reference Designators	Notes
1	1.0000	PC		J60-00001-27428	TRAF0;AUDIO I/O;P0B6C;OUTPUT		
2	1.0000	PC		J65-00001-27426	TRAF0;EI POWER;P0B6C;JP 100;VERSION:JP		(HM, SH)
3	1.0000	PC		J65-00001-27424	TRAF0;EI POWER;P0B6C;EU 230 OR 240;VERSION:EU		(EU, UK, SAA, AR)
4	1.0000	PC		J65-00001-27425	TRAF0;EI POWER;P0B6C;UL 120;VERSION:UL		(UL, BR)

**Quarz**

	<b>Quantity</b>	<b>Unit</b>	<b>S.Sku</b>	<b>M.Sku</b>	<b>Description</b>	<b>Reference Designators</b>	<b>Notes</b>
1	1.0000	PC	X65-40471-00000	H65-40471-00000	QUARZ;RESONATOR;10MHz;HC49/S;FUNDAMENTAL	[P0B6C:1: {1.0}(Q1)]	

Resistor

	Quantity	Unit	S.Sku	M.Sku	Description	Reference Designators	Notes
1	2.0000	PC			RESISTOR;CARBON;2ohm2;5%;0W063;SMD603	[P0B6C:1: {2.0}(R64-R65)]	*NOT available in DP
2	4.0000	PC			RESISTOR;CARBON;5ohm1;5%;0W063;SMD603	[P0B6C:1: {4.0}(R41-R42,R44-R45)]	*NOT available in DP
3	1.0000	PC			RESISTOR;CARBON;100ohm;5%;0W063;SMD603	[P0B6C:1: {1.0}(R1)]	*NOT available in DP
4	1.0000	PC			RESISTOR;CARBON;470ohm;5%;0W063;SMD603	[P0B6C:1: {1.0}(R46)]	*NOT available in DP
5	1.0000	PC			RESISTOR;CARBON;1Mohm;5%;0W063;SMD603	[P0B6C:1: {1.0}(R58)]	*NOT available in DP
6	2.0000	PC			RESISTOR;METAL;360ohm;1%;0W063;SMD603	[P0B6C:1: {2.0}(R29-R30)]	*NOT available in DP
7	2.0000	PC			RESISTOR;METAL;1Kohm2;1%;0W063;SMD603	[P0B6C:1: {2.0}(R20,R56)]	*NOT available in DP
8	4.0000	PC			RESISTOR;METAL;2Kohm2;1%;0W063;SMD603	[P0B6C:1: {4.0}(R55,R59,R61-R62)]	*NOT available in DP
9	2.0000	PC			RESISTOR;METAL;16Kohm;1%;0W063;SMD603	[P0B6C:1: {2.0}(R9,R26)]	*NOT available in DP
10	2.0000	PC			RESISTOR;CARBON;820ohm;5%;0W1;SMD805	[P0B6C:1: {2.0}(R36,R50)]	*NOT available in DP
11	1.0000	PC			RESISTOR;CARBON;1Kohm2;5%;0W1;SMD805	[P0B6C:1: {1.0}(R34)]	*NOT available in DP
12	2.0000	PC			RESISTOR;CARBON;1Kohm5;5%;0W1;SMD805	[P0B6C:1: {2.0}(R8,R22)]	*NOT available in DP
13	2.0000	PC			RESISTOR;CARBON;2Kohm2;5%;0W1;SMD805	[P0B6C:1: {2.0}(R7,R48)]	*NOT available in DP
14	3.0000	PC			RESISTOR;CARBON;10Kohm;5%;0W1;SMD805	[P0B6C:1: {3.0}(R4,R51,R54)]	*NOT available in DP
15	2.0000	PC			RESISTOR;CARBON;20Kohm;5%;0W1;SMD805	[P0B6C:1: {2.0}(R28,R52)]	*NOT available in DP
16	1.0000	PC			RESISTOR;CARBON;22Kohm;5%;0W1;SMD805	[P0B6C:1: {1.0}(R14)]	*NOT available in DP
17	2.0000	PC			RESISTOR;CARBON;27Kohm;5%;0W1;SMD805	[P0B6C:1: {2.0}(R35,R49)]	*NOT available in DP
18	1.0000	PC			RESISTOR;CARBON;30Kohm;5%;0W1;SMD805	[P0B6C:1: {1.0}(R33)]	*NOT available in DP
19	1.0000	PC			RESISTOR;CARBON;47Kohm;5%;0W1;SMD805	[P0B6C:1: {1.0}(R60)]	*NOT available in DP
20	1.0000	PC			RESISTOR;CARBON;56Kohm;5%;0W1;SMD805	[P0B6C:1: {1.0}(R5)]	*NOT available in DP
21	1.0000	PC			RESISTOR;CARBON;150Kohm;5%;0W1;SMD805	[P0B6C:1: {1.0}(R6)]	*NOT available in DP
22	1.0000	PC			RESISTOR;CARBON;220Kohm;5%;0W1;SMD805	[P0B6C:1: {1.0}(R53)]	*NOT available in DP
23	1.0000	PC			RESISTOR;CARBON;330Kohm;5%;0W1;SMD805	[P0B6C:1: {1.0}(R38)]	*NOT available in DP
24	2.0000	PC			RESISTOR;CARBON;470Kohm;5%;0W1;SMD805	[P0B6C:1: {2.0}(R3,R37)]	*NOT available in DP
25	2.0000	PC			RESISTOR;CARBON;680Kohm;5%;0W1;SMD805	[P0B6C:1: {2.0}(R2,R27)]	*NOT available in DP
26	4.0000	PC			RESISTOR;CARBON;1Mohm;5%;0W1;SMD805	[P0B6C:1: {4.0}(R12-R13,R21,R31)]	*NOT available in DP
27	1.0000	PC			RESISTOR;CARBON;1Mohm5;5%;0W1;SMD805	[P0B6C:1: {1.0}(R32)]	*NOT available in DP
28	1.0000	PC			RESISTOR;CARBON;4Mohm7;5%;0W1;SMD805	[P0B6C:1: {1.0}(R16)]	*NOT available in DP
29	1.0000	PC			RESISTOR;CARBON;10Mohm;5%;0W1;SMD805	[P0B6C:1: {1.0}(R39)]	*NOT available in DP
30	1.0000	PC			RESISTOR;METAL;100ohm;1%;0W1;SMD805	[P0B6C:1: {1.0}(R25)]	*NOT available in DP
31	2.0000	PC			RESISTOR;METAL;10Kohm;1%;0W1;SMD805	[P0B6C:1: {2.0}(R10,R17)]	*NOT available in DP
32	1.0000	PC			RESISTOR;METAL;15Kohm;1%;0W1;SMD805	[P0B6C:1: {1.0}(R11)]	*NOT available in DP
33	1.0000	PC			RESISTOR;METAL;220Kohm;1%;0W1;SMD805	[P0B6C:1: {1.0}(R18)]	*NOT available in DP
34	1.0000	PC			RESISTOR;CARBON;20Kohm;5%;0W25;SMD1206	[P0B6C:1: {1.0}(R19)]	*NOT available in DP
35	1.0000	PC			RESISTOR;CARBON;100Kohm;5%;0W25;SMD1206	[P0B6C:1: {1.0}(R24)]	*NOT available in DP
36	1.0000	PC	Y04-12000-03091	I04-12000-03091	THERMISTOR;NTC;20ohm;+/- 20%;4A;DIA;PITCH:7mm5;(THINKING SCK-20200MSY)		
37	1.0000	PC			RESISTOR;METAL;0.68 ohm;2W;5 %;FORMING MB-TYPE;PITCH:20MM;METAL OXIDE FILM;15X5MM	[P0B6C:2: {1.0}(R2)]	*NOT available in DP
38	1.0000	PC			RESISTOR;METAL;1.2 ohm;3W;5 %;FORMING MB-TYPE;PITCH:20MM;METAL OXIDE FILM;15X5MM	[P0B6C:2: {1.0}(R7)]	*NOT available in DP
39	2.0000	PC			RESISTOR;CARBON;47ohm;5%;1W;LEAD WIRE	[P0B6C:1: {1.0}(R67)]	*NOT available in DP
40	2.0000	PC			RESISTOR;CARBON;220ohm;5%;1W;LEAD WIRE	[P0B6C:1: {1.0}(R66)]	*NOT available in DP
41	2.0000	PC			RESISTOR;CARBON;150Kohm;5%;1W;LEAD WIRE	[P0B6C:1: {2.0}(R15,R23)]	*NOT available in DP
42	1.0000	PC			RESISTOR;CARBON;47ohm;5%;2W;LEAD WIRE	[P0B6C:2: {1.0}(R3)]	*NOT available in DP
43	1.0000	PC			RESISTOR;CEMENT;2ohm2;5%;5W;LEAD WIRE	[P0B6C:2: {1.0}(R6)]	*NOT available in DP

	Quantity	Unit	S.Sku	M.Sku	Description	Reference Designators	Notes
44	1.0000	PC			RESISTOR;CEMENT;3ohm3;5%;5W;LEAD WIRE;AXIAL	[POB6C:2: {1.0}(R1)]	*NOT available in DP
45	1.0000	PC			RESISTOR;CEMENT;220ohm;5%;5W;LEAD WIRE;RADIAL;PITCH:5mm;PRECUT:3mm1+/-0mm5	[POB6C:1: {1.0}(R43)]	*NOT available in DP
46	1.0000	PC			RESISTOR;CEMENT;240ohm;5%;5W;LEAD WIRE;RADIAL;PITCH:5mm;PRECUT:3mm1+/-0mm5	[POB6C:1: {1.0}(R40)]	*NOT available in DP
47	1.0000	PC			RESISTOR;CEMENT;5Kohm1;5%;5W;LEAD WIRE;RADIAL;PITCH:5mm;PRECUT:3mm1+/-0mm5	[POB6C:1: {1.0}(R47)]	*NOT available in DP
48	1.0000	PC			RESISTOR;CEMENT;22Kohm;5%;5W;LEAD WIRE;RADIAL;PITCH:5mm;PRECUT:3mm1+/-0mm5	[POB6C:1: {1.0}(R63)]	*NOT available in DP

**Potentiometer**

	Quantity	Unit	S.Sku	M.Sku	Description	Reference Designators	Notes
1	1.0000	PC		I03-00001-02389	POTENTIOMETER;1 Mohm;TAPER:05A;20 %;MONO;BULK;F-SHAFT:15MM;ANGLED;80-150GF;HHTORQUE;NO NUT AND WASHER ;SOUNDWELL	[POB6C:1: {1.0}(VR3)]	
2	1.0000	PC		I03-00001-02592	POTENTIOMETER;20 kohm;TAPER:1B;20 %;MONO;W/O CC;BULK;F-SHAFT:15MM;ANGLED;80-150GF;HHTORQUE;NO NUT AND WASHER ;SOUNDWELL	[POB6C:1: {1.0}(VR2)]	
3	1.0000	PC		I03-00001-21897	POTENTIOMETER;1 Mohm;TAPER:15A;20 %;MONO;BULK;F-SHAFT:15MM;ANGLED;W/O CC;80-150GF;HHT;SW	[POB6C:1: {1.0}(VR5)]	
4	1.0000	PC		I03-00001-21911	POTENTIOMETER;1 Mohm;TAPER:1B;20 %;MONO;BULK;F-SHAFT:15MM;ANGLED;W/O CC;80-150GF;HHT;SW	[POB6C:1: {1.0}(VR1)]	
5	1.0000	PC		I03-00001-21919	POTENTIOMETER;250 kohm;TAPER:30A;20 %;MONO;BULK;F-SHAFT:15MM;ANGLED;W/O CC;80-150GF;HHT;SW	[POB6C:1: {1.0}(VR4)]	

**Switch**

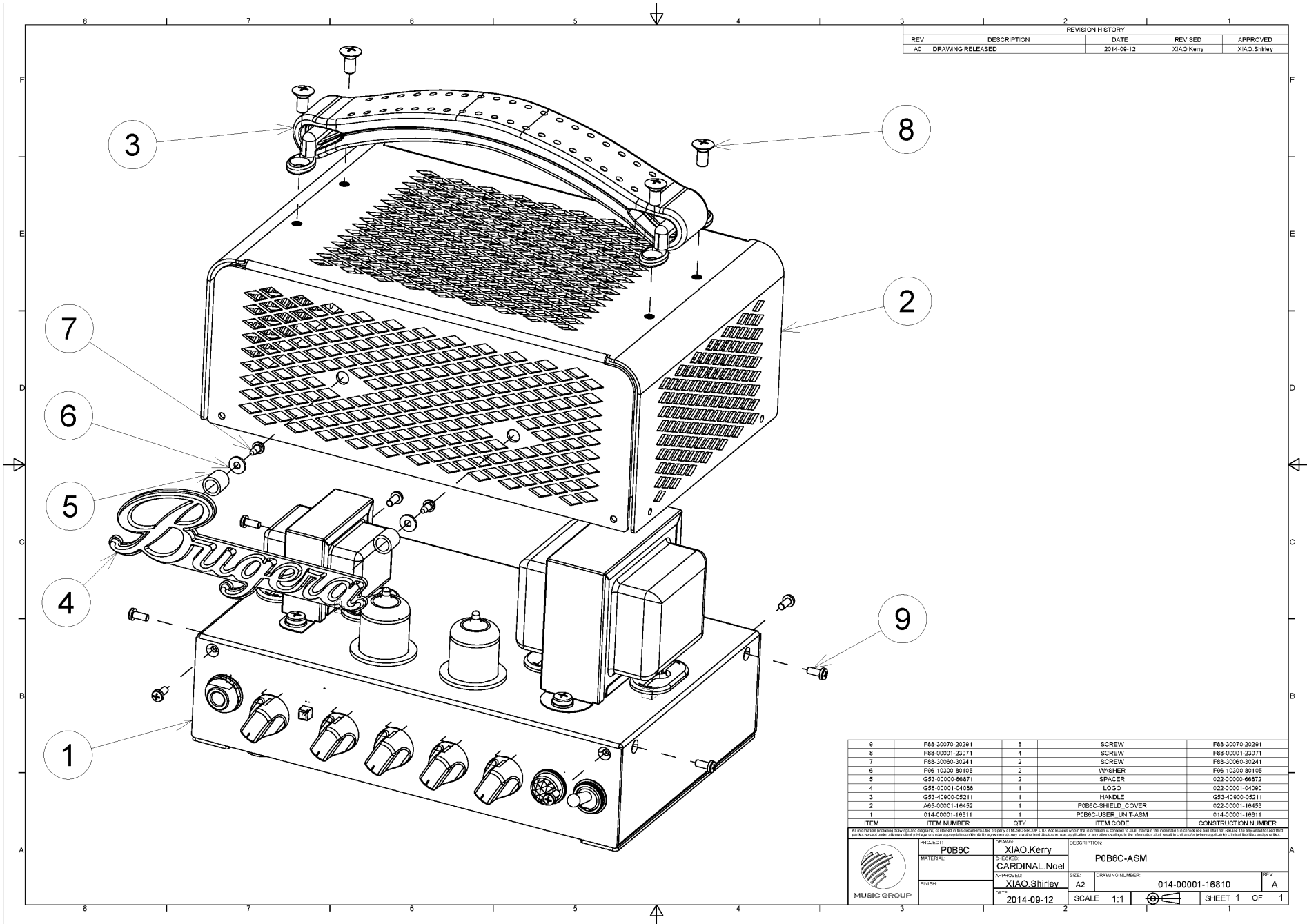
	Quantity	Unit	S.Sku	M.Sku	Description	Reference Designators	Notes
1	1.0000	PC	Y82-01422-19471	I82-01422-19471	SWITCH;PUSH;2P2T;PCB VERSION;LOCKING;NONSHORT;ALPS;SPUJ19256A	[POB6C:1: {1.0}(SW1)]	
2	1.0000	PC	Y86-00323-04226	I86-00323-04226	SWITCH;SLIDE;POLES:2;TOGGLES:3;LOCKING;SHORTING;PCB VERSION;DONGGUAN WEILI S5-23H49-G6	[POB6C:2: {1.0}(SW1)]	
3	1.0000	PC	Y90-02211-03087	I90-02211-03087	SWITCH;TOGGLE;TOGGLES:1;POLE:1;LOCKING; NONSHORT; SOLDER LUG;/ARCO C3900BAAAB)		

**Transistor**

	Quantity	Unit	S.Sku	M.Sku	Description	Reference Designators	Notes
1	1.0000	PC			TRANSISTOR;2SC3326B;SOT	[POB6C:1: {1.0}(T2)]	*NOT available in DP
2	1.0000	PC			TRANSISTOR;KSP44;TO-92	[POB6C:1: {1.0}(T1)]	*NOT available in DP


**Vacuum Tube**

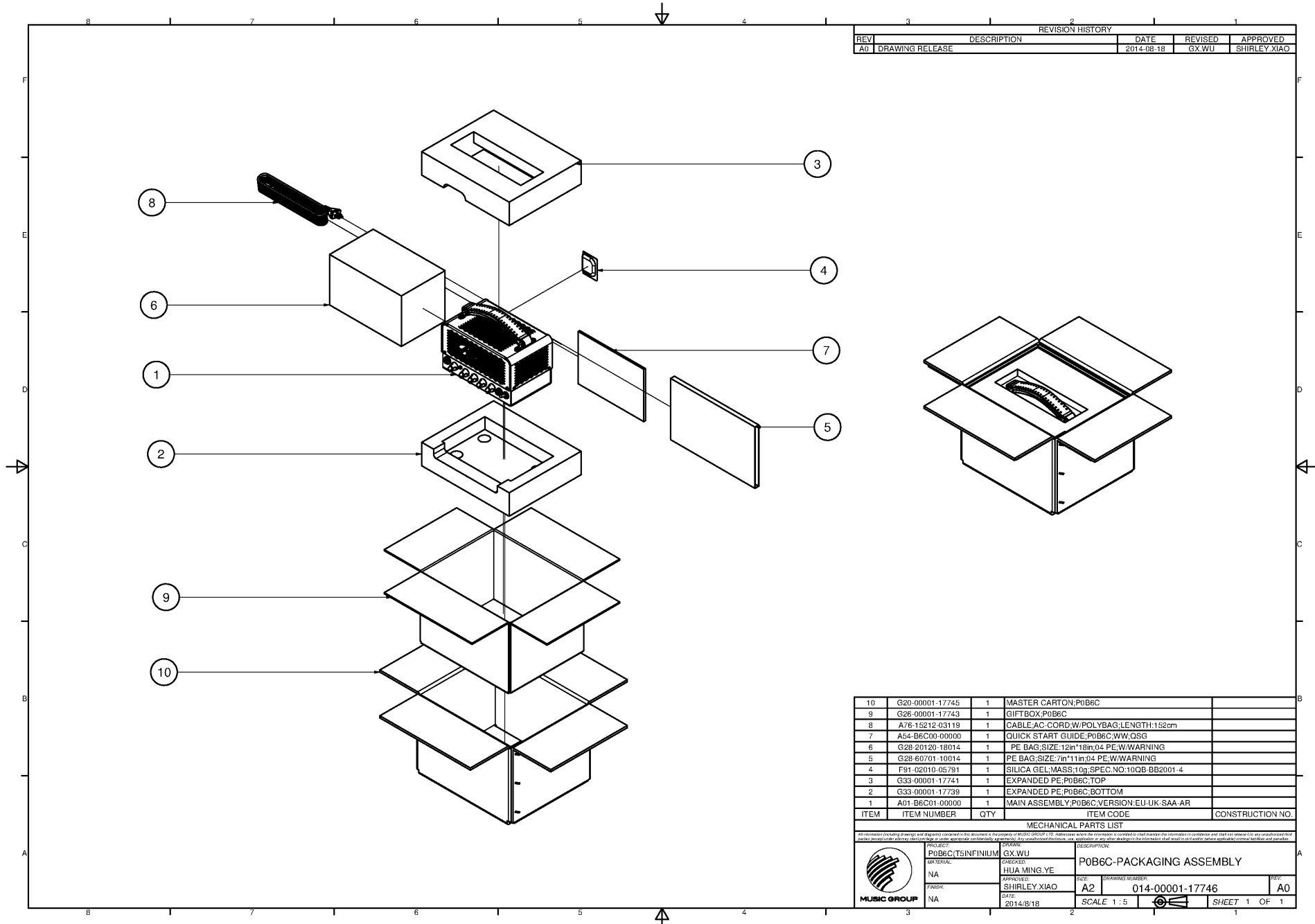
	Quantity	Unit	S.Sku	M.Sku	Description	Reference Designators	Notes
1	1.0000	PC	Z83-69018-47109	J83-69018-47109	TUBE;PENTODE;EL84;SHUGUANG		
2	1.0000	PC		J83-69018-48009	TUBE;PENTODE;EL84;SHUGUANG;NO ARTWORK		
3	1.0000	PC	Z84-17012-17109	J84-17012-17109	TUBE;DOUBLE TRIODE;12AX7A;SHUGUANG		
4	1.0000	PC	Z84-17012-78009	J84-17012-78009	TUBE;DOUBLE TRIODE;12AX7;SHUGUANG;NO ARTWORK		



REV		DESCRIPTION		DATE		REVISION HISTORY	
A0		DRAWING RELEASED		2014-09-12	XIAO Kerry		APPROVED XIAO Shirley

ITEM	ITEM NUMBER	QTY	ITEM CODE	CONSTRUCTION NUMBER
9	F88-30070-20291	8	SCREW	F88-30070-20291
8	F88-00001-23071	4	SCREW	F88-00001-23071
7	F88-30060-30241	2	SCREW	F88-30060-30241
6	F96-10300-80105	2	WASHER	F96-10300-80105
5	G53-00000-66871	2	SPACER	022-00000-66872
4	G58-00001-04086	1	LOGO	022-00001-04080
3	G53-40900-05211	1	HANDLE	G53-40900-05211
2	A65-00001-16452	1	POB6C-SHIELD COVER	022-00001-16458
1	014-00001-16811	1	POB6C-USER UNIT-ASM	014-00001-16811


**PROJECT:** POB6C     **DRAWN:** XIAO Kerry     **DESCRIPTION:** POB6C-ASM  
**CHECKED:** CARDINAL Noel  
**APPROVED:** XIAO Shirley     **SIZE:** A2     **DRAWING NUMBER:** 014-00001-16810     **REV:** A  
**DATE:** 2014-09-12     **SCALE:** 1:1     **SHEET 1 OF 1**

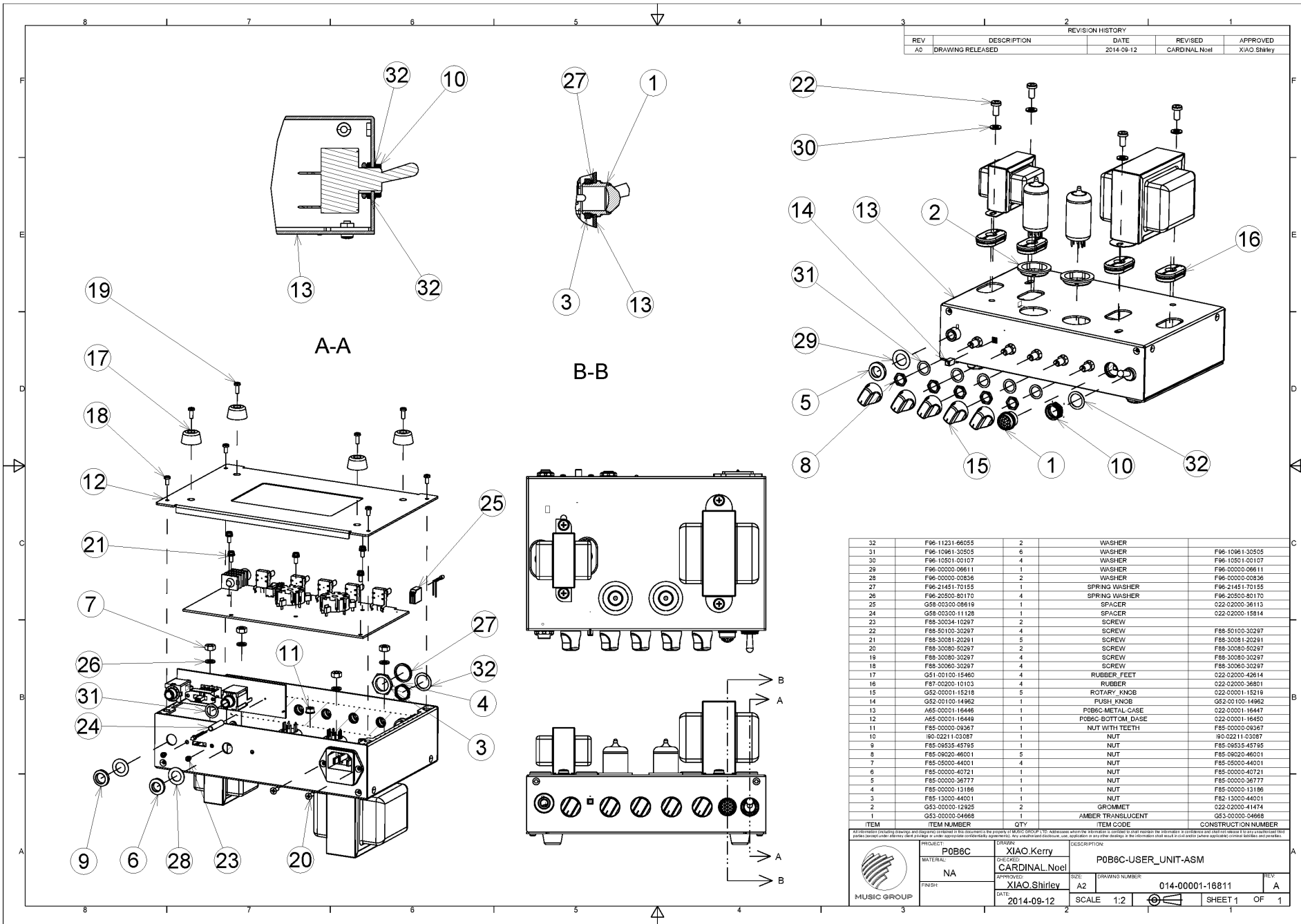


REVISION HISTORY				
REV	DESCRIPTION	DATE	REVISED	APPROVED
A0	DRAWING RELEASE	2014-08-18	GX.WU	SHIRLEY.XIAO

ITEM	ITEM NUMBER	QTY	ITEM CODE	CONSTRUCTION NO.
10	G20-00001-17745	1	MASTER CARTON;P0B6C	
9	G26-00001-17743	1	GIFTBOX;P0B6C	
8	A76-15212-03119	1	CABLE;AC_CORD;W/POLYBAG;LENGTH:152cm	
7	A54-B6C00-00000	1	QUICK START GUIDE;P0B6C;WW;QSG	
6	G28-20120-18014	1	PE BAG;SIZE:12in*18in;04 PE;W/WARNING	
5	G28-60701-10014	1	PE BAG;SIZE:7in*11in;04 PE;W/WARNING	
4	F91-02010-05791	1	SILICA GEL;MASS:10g;SPEC:NO:10QB-BB2001-4	
3	G33-00001-17741	1	EXPANDED PE;P0B6C;TOP	
2	G33-00001-17739	1	EXPANDED PE;P0B6C;BOTTOM	
1	A01-B6C01-00000	1	MAIN ASSEMBLY;P0B6C;VERSION:EU-UK-SAA-AR	

MECHANICAL PARTS LIST			
PROJECT:	P0B6C;(T5)INFINIUM	DESIGNER:	GX.WU
MATERIAL:	NA	CHECKER:	HUA MING.YE
APPROVED:	SHIRLEY.XIAO	DATE:	2014/8/18
SCALE:	A2 1:1.5	DRAWING NUMBER:	014-00001-17746
SHEET:	1 OF 1	REV:	A0





REV		DESCRIPTION		REVISION HISTORY		REVISED	APPROVED
A0	DRAWING RELEASED	DATE	2014-09-12	CARDINAL.Noel	XIAO.Shirley		

32	F96-11231-66055	2	WASHER		
31	F96-10961-30505	6	WASHER	F96-10961-30505	
30	F96-10501-00107	4	WASHER	F96-10501-00107	
29	F96-00000-06611	1	WASHER	F96-00000-06611	
28	F96-00000-00536	2	WASHER	F96-00000-00536	
27	F96-21451-70155	1	SPRING WASHER	F96-21451-70155	
26	F96-20500-80170	4	SPRING WASHER	F96-20500-80170	
25	G58-00300-08619	1	SPACER	022-02000-36113	
24	G58-00300-11128	1	SPACER	022-02000-15814	
23	F88-30034-10297	2	SCREW	F88-60100-30297	
22	F88-60100-30297	4	SCREW	F88-30081-20291	
21	F88-30081-20291	5	SCREW	F88-30080-50297	
20	F88-30080-50297	2	SCREW	F88-30080-30297	
19	F88-30080-30297	4	SCREW	F88-30060-30297	
18	F88-30060-30297	4	SCREW	F88-30000-40001	
17	G51-00100-15460	4	RUBBER FEET	022-02000-42614	
16	F87-02000-10103	4	RUBBER	022-02000-36801	
15	G52-00001-15218	5	ROTARY KNOB	022-00001-15219	
14	G52-00100-14962	1	PUSH KNOB	G52-00100-14962	
13	A65-00001-16446	1	POB8C-METAL-CASE	022-00001-16447	
12	A65-00001-16446	1	POB8C-BOTTOM CASE	022-00001-16450	
11	F85-00000-03367	1	NUT WITH TEETH	F85-00000-03367	
10	00-02211-03087	1	NUT	00-02211-03087	
9	F85-08535-45795	1	NUT	F85-08535-45795	
8	F85-08020-46001	5	NUT	F85-08020-46001	
7	F85-05000-44001	4	NUT	F85-05000-44001	
6	F85-00000-40721	1	NUT	F85-00000-40721	
5	F85-00000-36777	1	NUT	F85-00000-36777	
4	F85-00000-13186	1	NUT	F85-00000-13186	
3	F85-13000-44001	1	NUT	F82-13000-44001	
2	G53-00000-12925	2	GROMMET	022-02000-41474	
1	G53-00000-04668	1	AMBER TRANSLUCENT	G53-00000-04668	

ITEM	ITEM NUMBER	QTY	ITEM CODE	CONSTRUCTION NUMBER
PROJECT: POB8C DRAWN: XIAO.Kerry MATERIAL: NA CHECKED: CARDINAL.Noel APPROVED: XIAO.Shirley DATE: 2014-09-12 FINISH:				
			DESCRIPTION: POB8C-USER_UNIT-ASM	
		SCALE: 1:2	DRAWING NUMBER: 014-00001-16811	REV: A
			SHEET 1	OF 1

*Bugera*