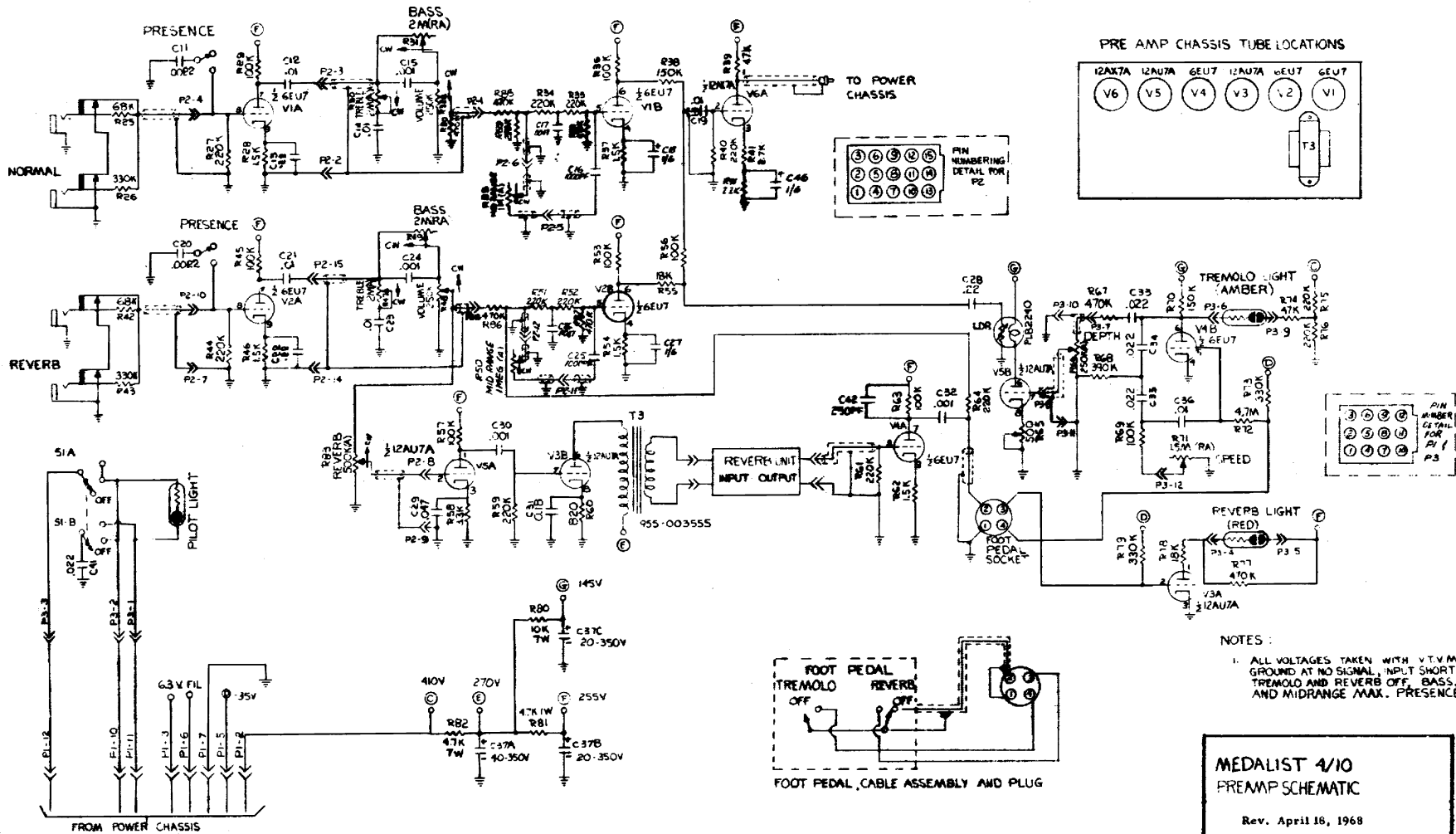


MEDALIST PREAMP

Gibson



**MEDALIST 4/10
PREAMP SCHEMATIC**
Rev. April 18, 1968