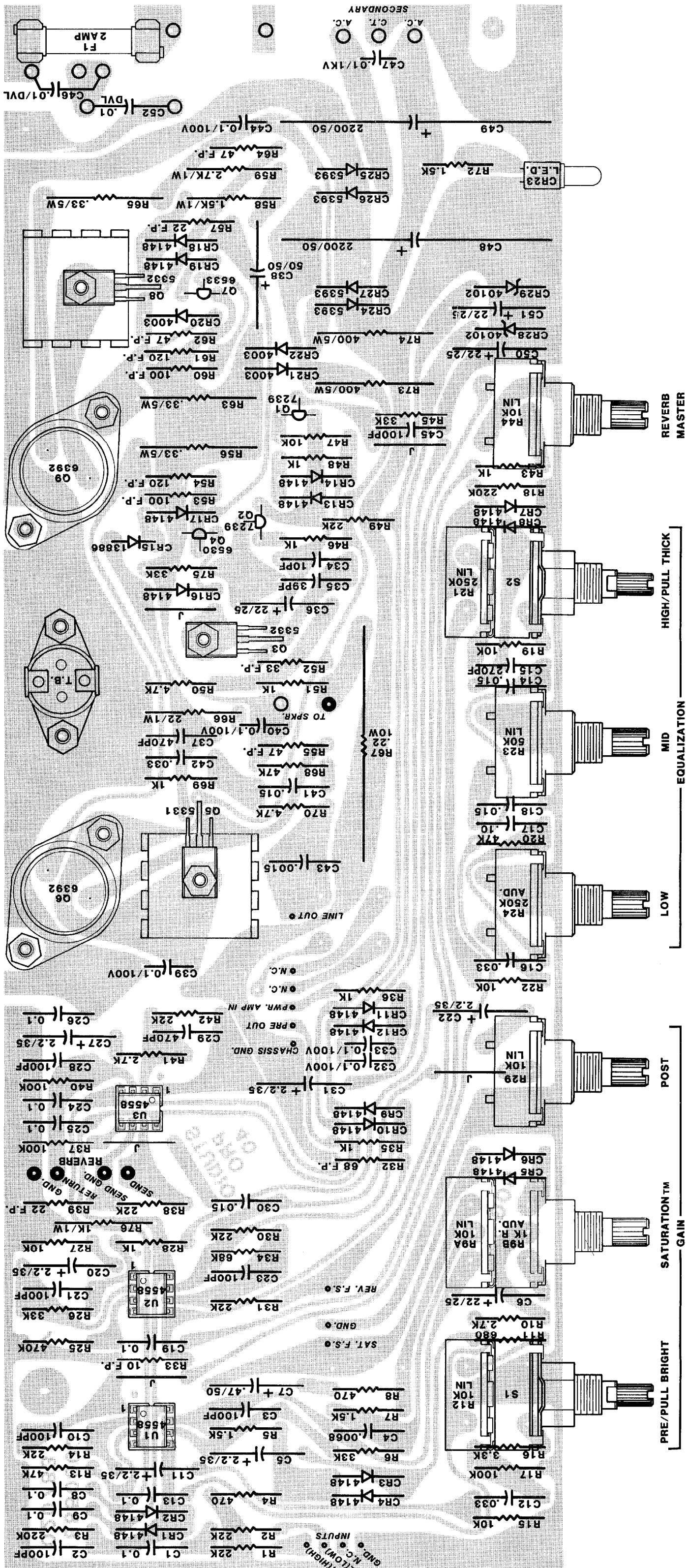


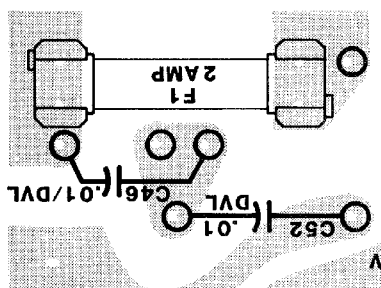
STUDIO PRO® 40
 BD. # 98850003 (2/7/83)

NOTES
 ALL POTS ARE LINEAR UNLESS NOTED
 ALL RESISTORS 1/4W UNLESS NOTED
 ALL RESISTORS IN OHMS UNLESS NOTED
 ALL CAPACITORS IN MFD UNLESS NOTED
 ALL DIODES IN 4148 UNLESS NOTED
 LAST REF. DESIGNATOR USED:
 R76 C52 CR29 Q9 J7 S3 T2 F1
 BUILT UNDER U.S. PATENT NO. 4,405,832

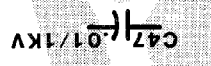
REVISED 2/23/83 RER
 PEAVEY® ELECTRONICS CORP
 MERIDIAN, MS.
 DRAWN BY RER DATE 5/11/82
 C.B. CHECK RER
 CHECK BY GOF JR.
 APPR. BY RER



STUDIO PRO® 40



SECONDARY
A.C. C.T.
A.C.



REVERB MASTER
HIGH/PULL THICK
MID EQUALIZATION
LOW
POST
SATURATION™ GAIN
PRE/PULL BRIGHT

2 AMP FUSE
N.C. (LOW)
N.C. (HIGH)
INPUTS

LINE OUT

N.C.

N.C.

CHASSIS GND.

PRE OUT

REVERB AMP IN

REVERB

RETURN GND.

SEND GND.

SEND

SEND

REV. F.S.

GND.

SAT. F.S.

GND.

REV. F.S.

GND.

SAT. F.S.

GND.

REV. F.S.

GND.