

IDLE CURRENT MODIFICATIONS

- 1) REPLACE R53 (220K) WITH A 100K 1/4 WATT
 - 2) MAKE SURE R56 IS A 330 ohm
 - 3) ALLOW UNIT TO OPERATE INTO LOAD AT APPROX. 1/2 POWER FOR ABOUT 1 MINUTE
 - 4) REMOVE SIGNAL AND READ THE VOLTAGE ACROSS R57
 - 5) IF THIS VOLTAGE IS ABOVE .006VDC THEN BRIDGE R56 WITH A 2.7K 1/4 WATT
 - 6) IF THE VOLTAGE IS STILL ABOVE .006VDC THEN REMOVE THE 2.7K AND TRY A 1.5K 1/2 WATT
- NOTE: HIGH IDLE CURRENT MAY BE THE RESULT OF SOME LEAKY COMPONENT ELSEWHERE IN THE POWER AMP. THIS SHOULD BE TAKEN INTO CONSIDERATION BEFORE MODIFYING

TRANSISTOR CROSS REFERENCE

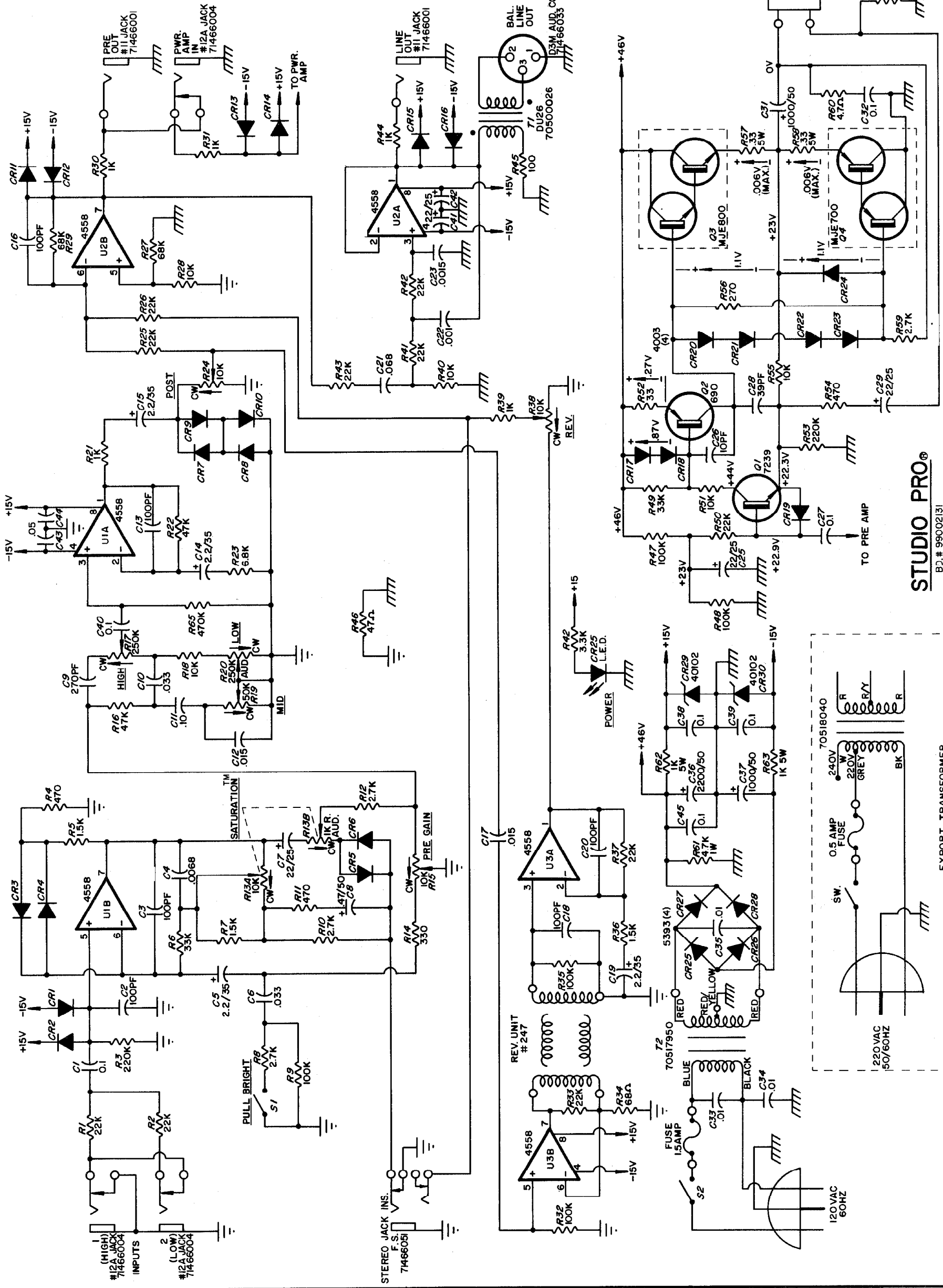
- 4558 - MC1458, TL072
- 7239 - 2N3904
- 690 - 2N4249
- MJE-800 - SJE-5880
- MJE-700 - SJE-5879

NOTES

- ALL POTS ARE LINEAR UNLESS NOTED
 - ALL RESISTORS 1/4W UNLESS NOTED
 - ALL RESISTORS IN OHMS UNLESS NOTED
 - ALL CAPACITORS IN MFD UNLESS NOTED
 - ALL DIODES IN4148 UNLESS NOTED
 - LAST REF. DESIGNATOR USED:
 - R66 C45 CR31 Q4 U3 T2
- BUILT UNDER U.S. PATENT NO. 4,405,832

WARNING SERVICEMAN:

POWER AMPLIFIER CIRCUIT WILL NOT FUNCTION PROPERLY WITHOUT A SPEAKER OR DUMMY LOAD CONNECTED.

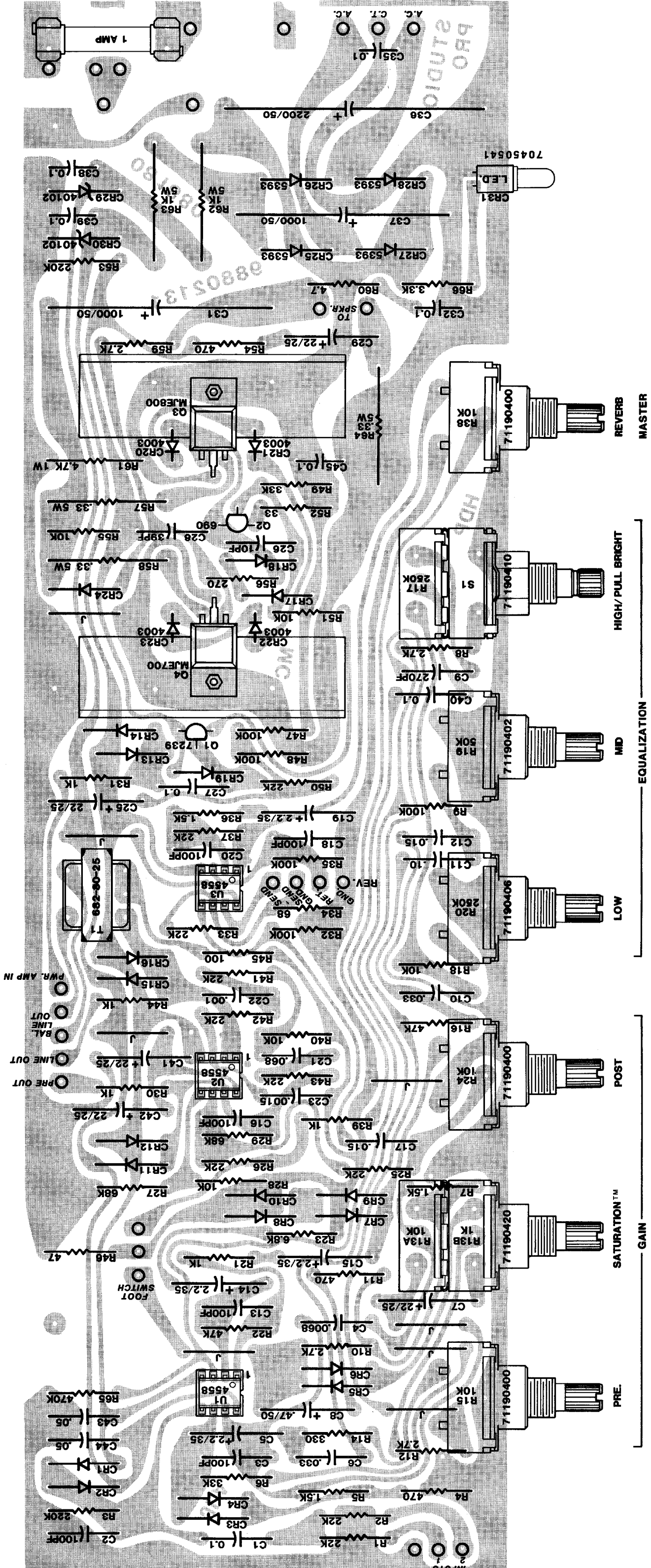


STUDIO PRO®

BJ.# 98002131
98002131

REVISED 7/27/81	PEAVEY ELECTRONICS CORP.
	MERIDIAN, MS.
DRAWN BY <i>RSB</i>	DATE 10-7-80
C.B. CHECK <i>RSB</i>	CHECK BY <i>RSB</i>
APPR. BY <i>JCB</i>	

P/N 81501290



STUDIO PRO®

PRE. SATURATION™ GAIN EQUALIZATION LOW MID HIGH/PULL BRIGHT REVERSEB MASTER