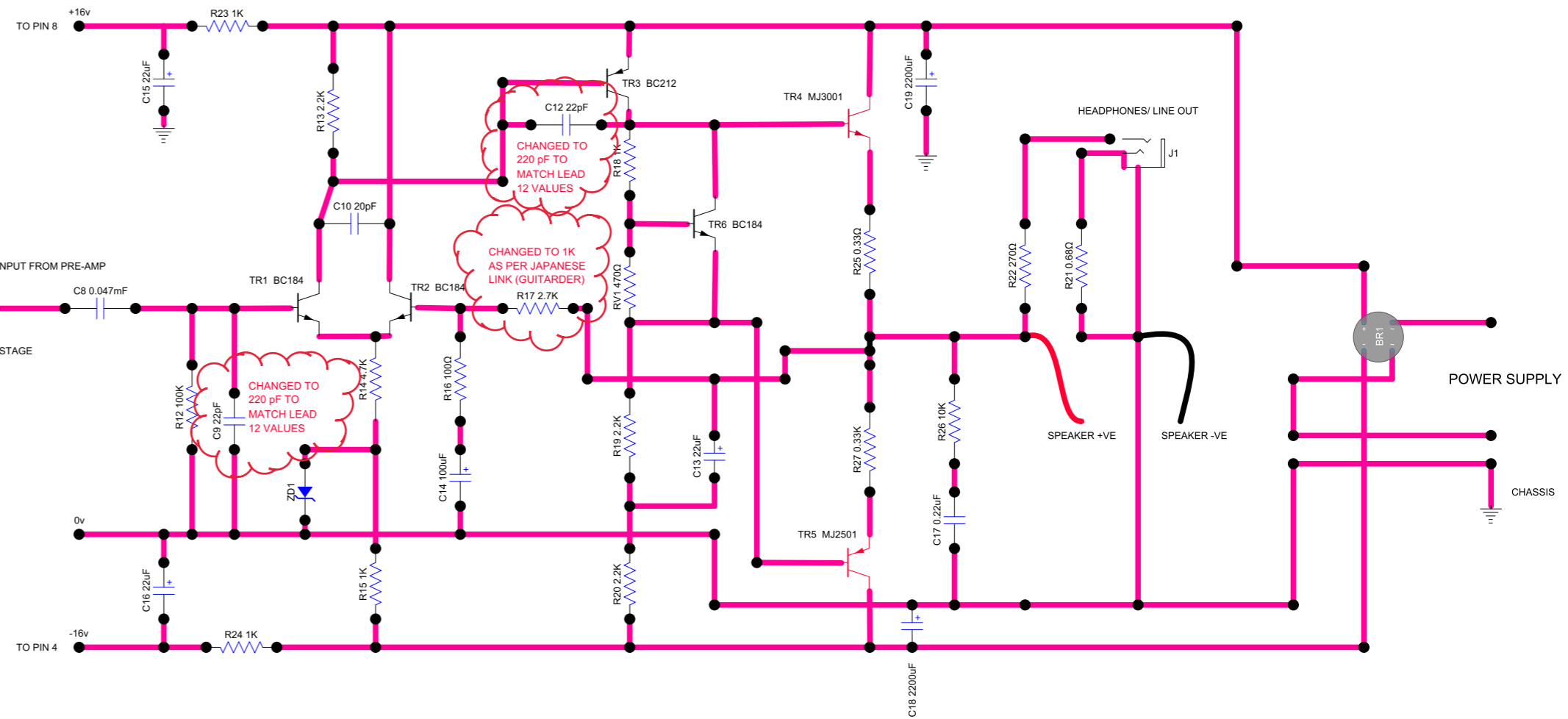
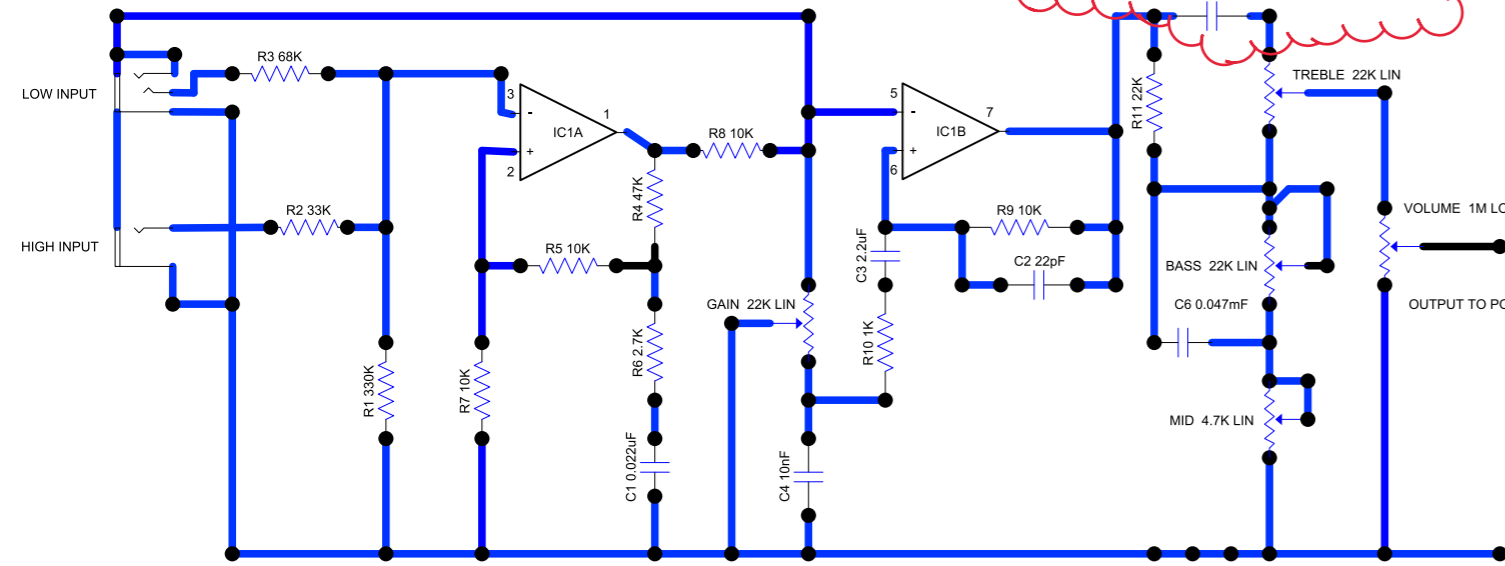


MARSHALL BASS 12 - 5501

REVISION A

YEAR OF MANUFACTURE - 1988

SERIAL NUMBER - W15026



MARSHALL 5501 SCHEMATIC

DATED 12-5-88

