

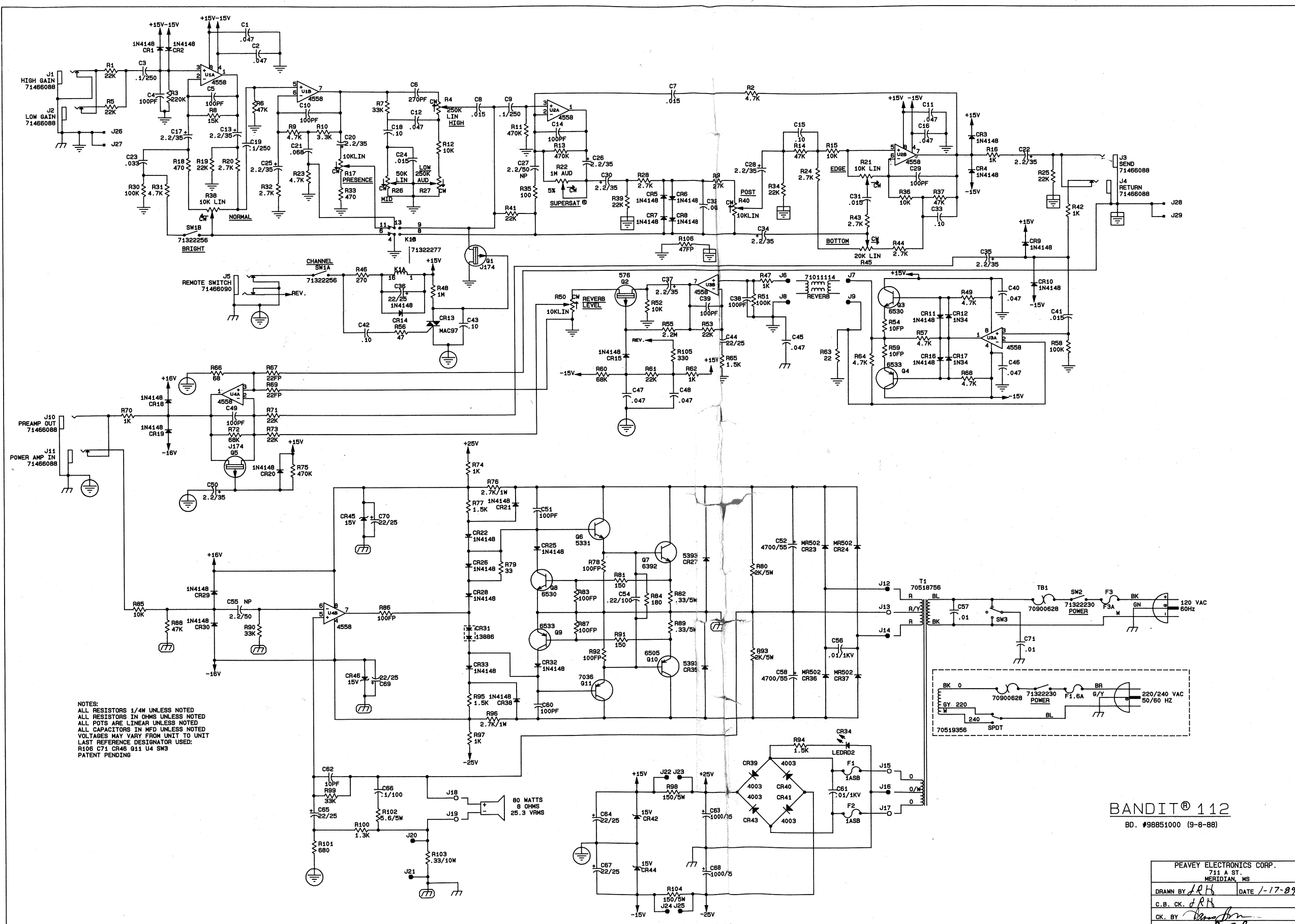
BANDIT 112
 02108188
 A-U7-V9 LR.
 38821000

NPN
 Q7
 6392

PNP
 Q10
 6505

70320146

BANDIT® 112



NOTES:
 ALL RESISTORS 1/4W UNLESS NOTED
 ALL RESISTORS IN OHMS UNLESS NOTED
 ALL POTS ARE LINEAR UNLESS NOTED
 ALL CAPACITORS IN MFD UNLESS NOTED
 VOLTAGES MAY VARY FROM UNIT TO UNIT
 LAST REFERENCE DESIGNATOR USED:
 R106 C71 CR46 Q11 U4 SW3
 PATENT PENDING

BANDIT® 112
 BD. #98851000 (9-8-88)

| | |
|--|---------------------|
| PEAVEY ELECTRONICS CORP. 711 S ST MERIDIAN, MS | |
| DRAWN BY <i>LRH</i> | DATE <i>1-17-89</i> |
| C.B. CK. <i>LRH</i> | |
| CK. BY <i>[Signature]</i> | |
| APPR. BY <i>[Signature]</i> | |