



# Service Manual

Created: 10 July 2014



## EUROPORT EPS500MP3

**Ultra-Compact 500-Watt 8-Channel Portable PA System with MP3 Player, Reverb and Wireless Option**

Specifications .....	2
PCB Schematic .....	3
Parts List .....	15
Exploded Drawing .....	35

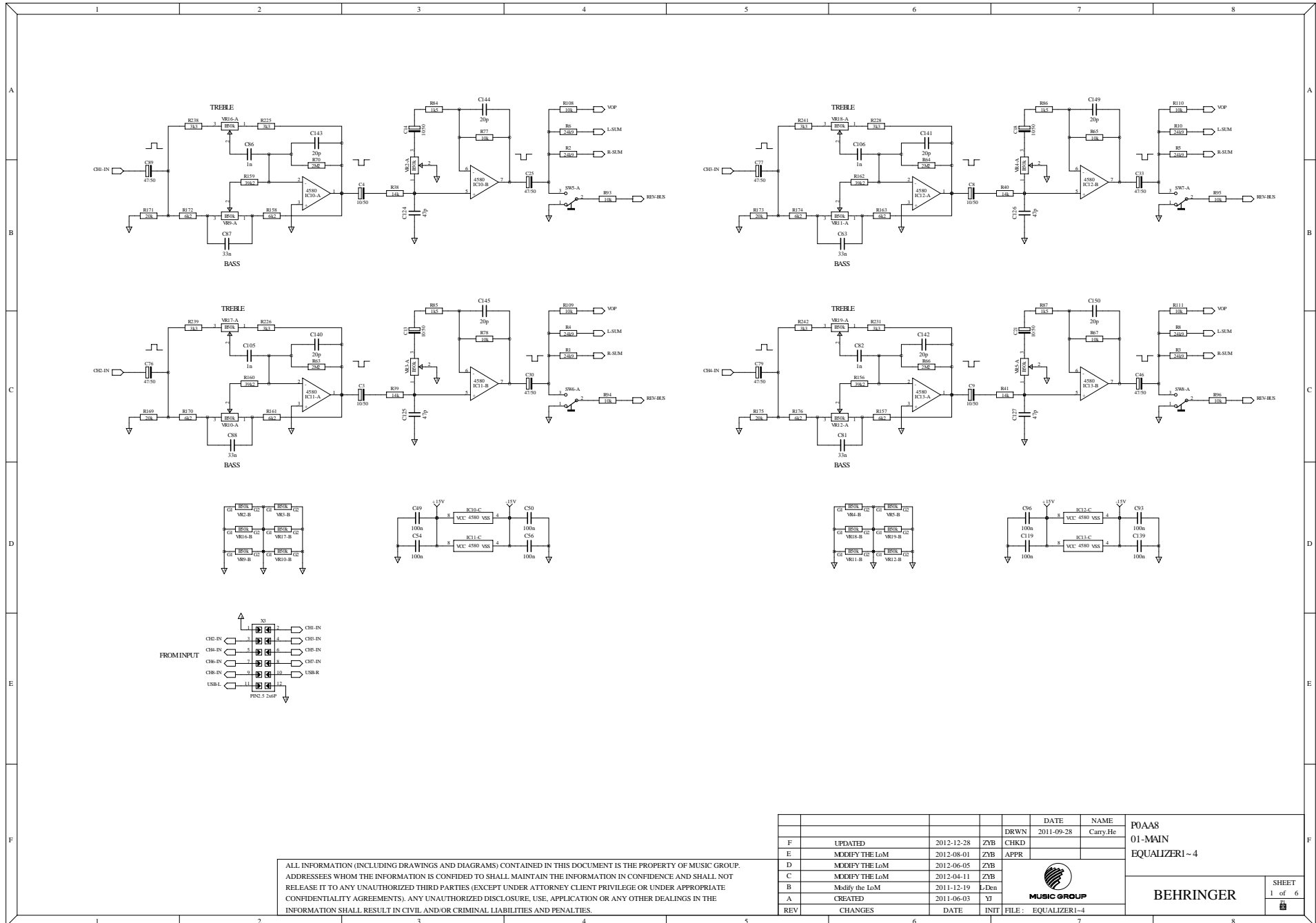
[behringer.com](http://behringer.com)



# EUROPORT EPS500MP3

## Specifications

- Ultra-compact 8-channel PA system with dual speakers and detachable 500 Watt powered mixer
- Enormous power, incredible sonic performance, and super-lightweight
- Mixer can be used either while installed in the speaker or detached for easy positioning and access
- High-performance MP3 player included to play audio files via USB stick
- Studio-grade stereo reverb adds finishing touch to your sound
- "Wireless-ready" for high-quality BEHRINGER digital wireless system (not included)
- Broadcast-like Voice-Over-Priority Function dims music when microphones are used
- Extremely powerful 8" woofers and 1" compression transducers for incredible sound reproduction
- 8-channel mixer section features 4 mic/line and 2 stereo channels
- 4 high-quality mic preamps with switchable +48 V phantom power for condenser microphones
- Effective and extremely musical 2-band EQ on all channels
- Music/Speech switch to set overall system equalization
- Auto limiter prevents overload damage to power amplifier and speakers
- Storage compartment available for microphone, cables and accessories (2 x 6.1 m (20') speaker cables included)
- Integrated stand mounting with 35-mm pole socket
- Switching power supply for maximum flexibility, noise-free audio, superior transient response plus low power consumption for energy savings
- High-quality components and exceptionally rugged construction ensure long life
- Conceived and designed by BEHRINGER Germany

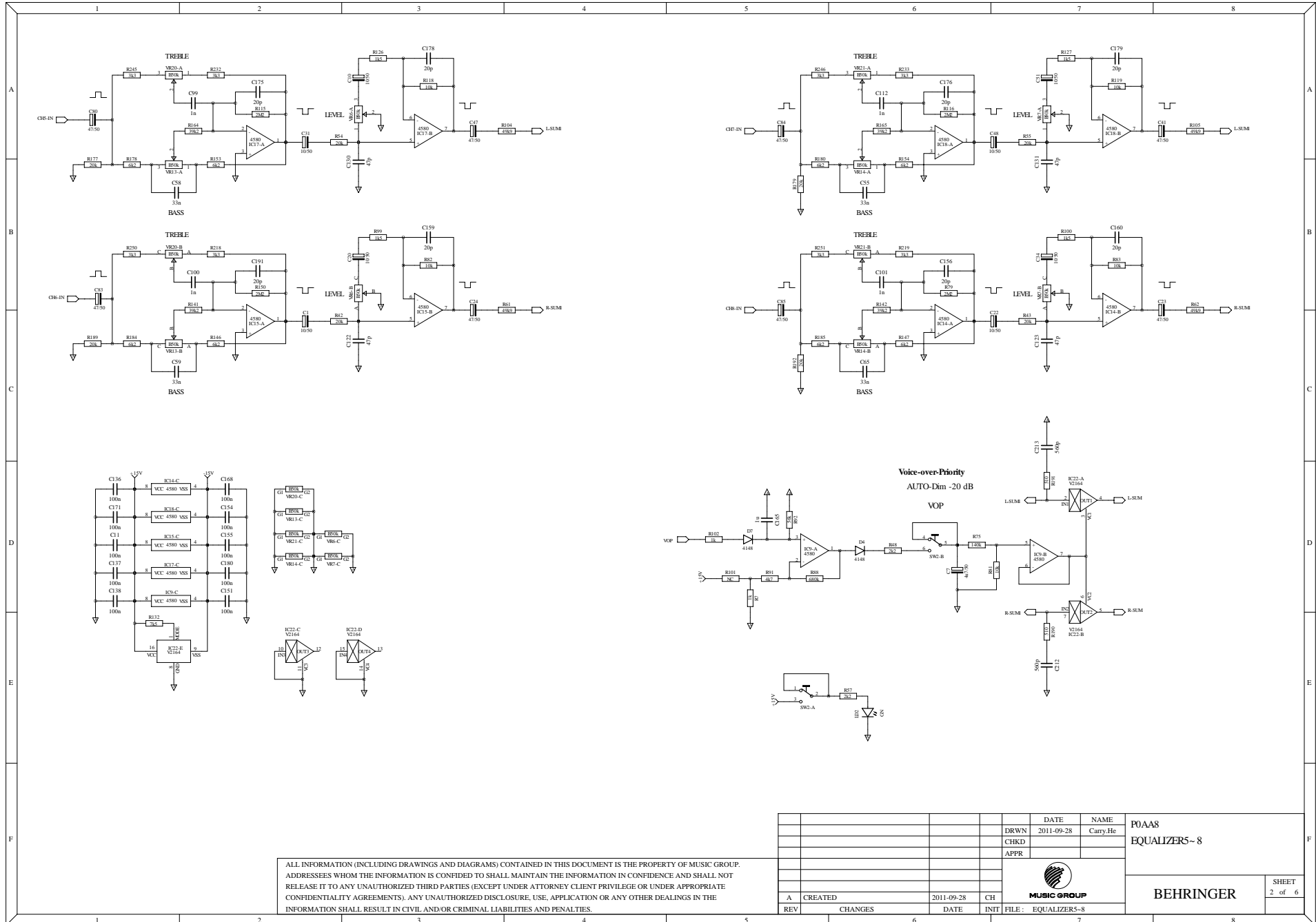


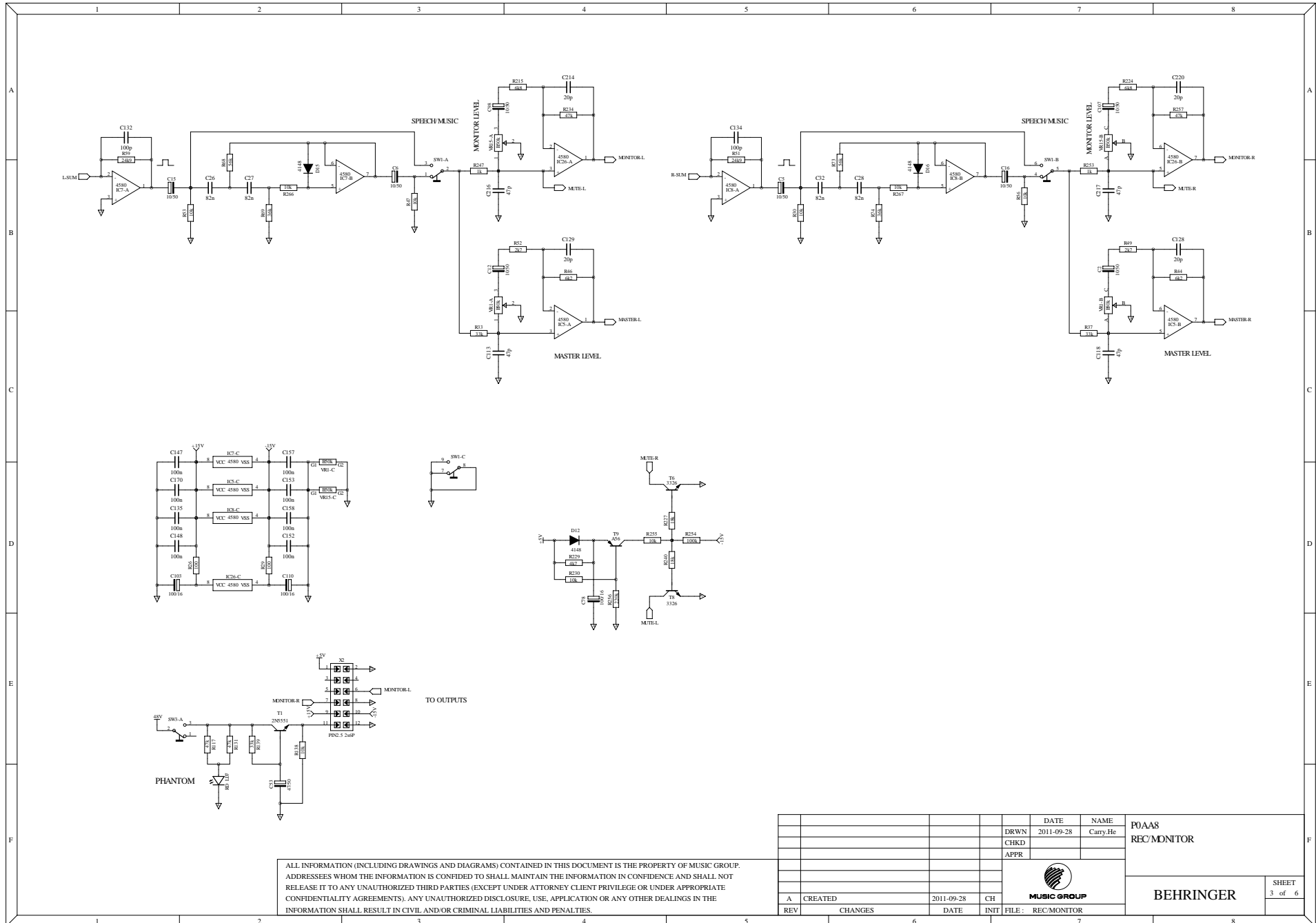
REV	CHANGES	DATE	INIT	FILE :	DATE	NAME	POAAS 01-MAIN EQUALIZER1~4
F	UPDATED	2012-12-28	ZYB	CHKD		Carry.He	
E	MODIFY THE LoM	2012-08-01	ZYB	APPR			
D	MODIFY THE LoM	2012-06-05	ZYB				
C	MODIFY THE LoM	2012-04-11	ZYB				
B	Modify the LoM	2011-12-19	L-Den				
A	CREATED	2011-06-03	YJ				

ALL INFORMATION (INCLUDING DRAWINGS AND DIAGRAMS) CONTAINED IN THIS DOCUMENT IS THE PROPERTY OF MUSIC GROUP. ADDRESSEES WHOM THE INFORMATION IS CONFIDED TO SHALL MAINTAIN THE INFORMATION IN CONFIDENCE AND SHALL NOT RELEASE IT TO ANY UNAUTHORIZED THIRD PARTIES (EXCEPT UNDER ATTORNEY CLIENT PRIVILEGE OR UNDER APPROPRIATE CONFIDENTIALITY AGREEMENTS). ANY UNAUTHORIZED DISCLOSURE, USE, APPLICATION OR ANY OTHER DEALINGS IN THE INFORMATION SHALL RESULT IN CIVIL AND/OR CRIMINAL LIABILITIES AND PENALTIES.



BEHRINGER SHEET 1 of 6

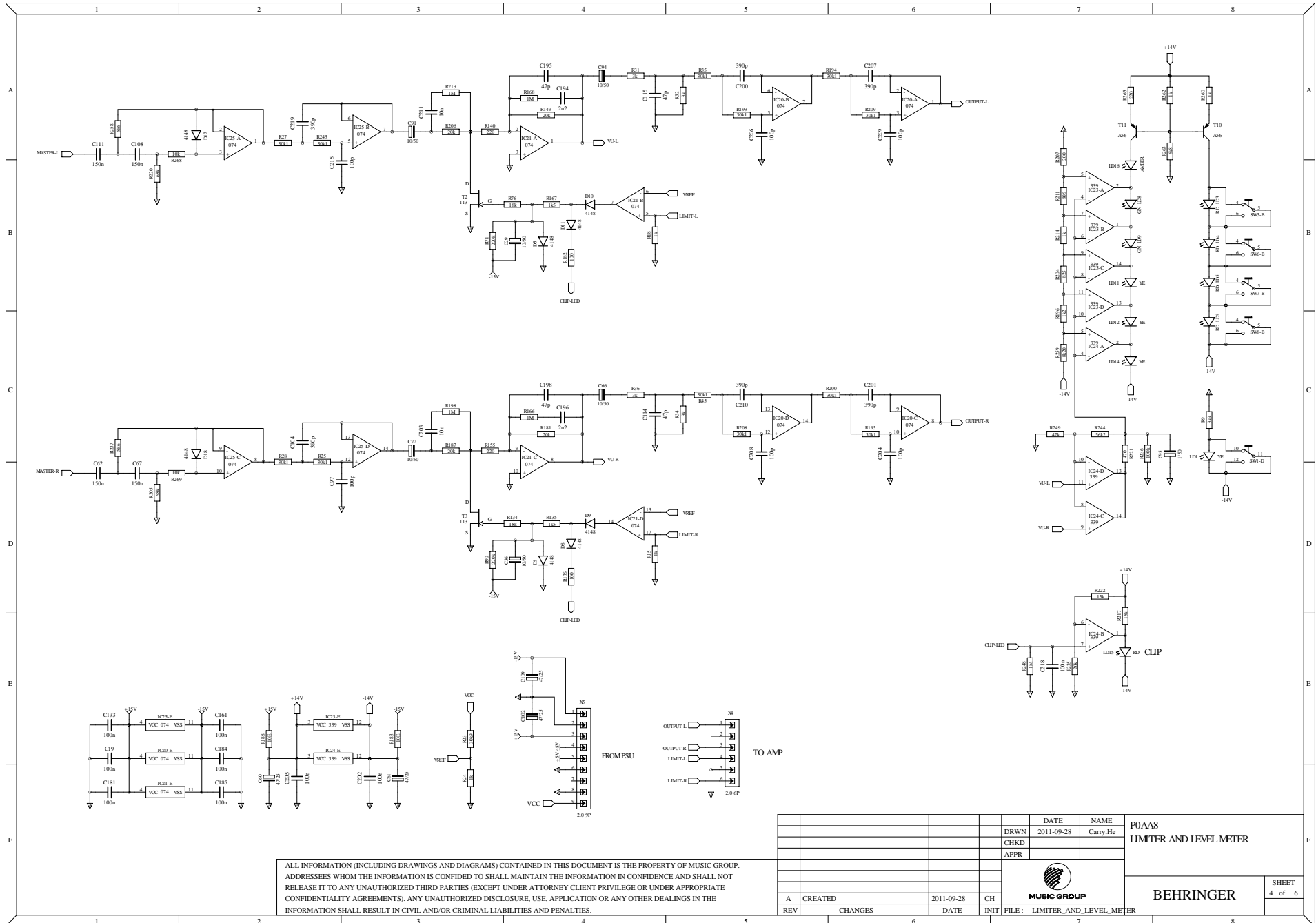





ALL INFORMATION (INCLUDING DRAWINGS AND DIAGRAMS) CONTAINED IN THIS DOCUMENT IS THE PROPERTY OF MUSIC GROUP. ADDRESSEES WHOM THE INFORMATION IS CONFIDED TO SHALL MAINTAIN THE INFORMATION IN CONFIDENCE AND SHALL NOT RELEASE IT TO ANY UNAUTHORIZED THIRD PARTIES (EXCEPT UNDER ATTORNEY CLIENT PRIVILEGE OR UNDER APPROPRIATE CONFIDENTIALITY AGREEMENTS). ANY UNAUTHORIZED DISCLOSURE, USE, APPLICATION OR ANY OTHER DEALINGS IN THE INFORMATION SHALL RESULT IN CIVIL AND/OR CRIMINAL LIABILITIES AND PENALTIES.

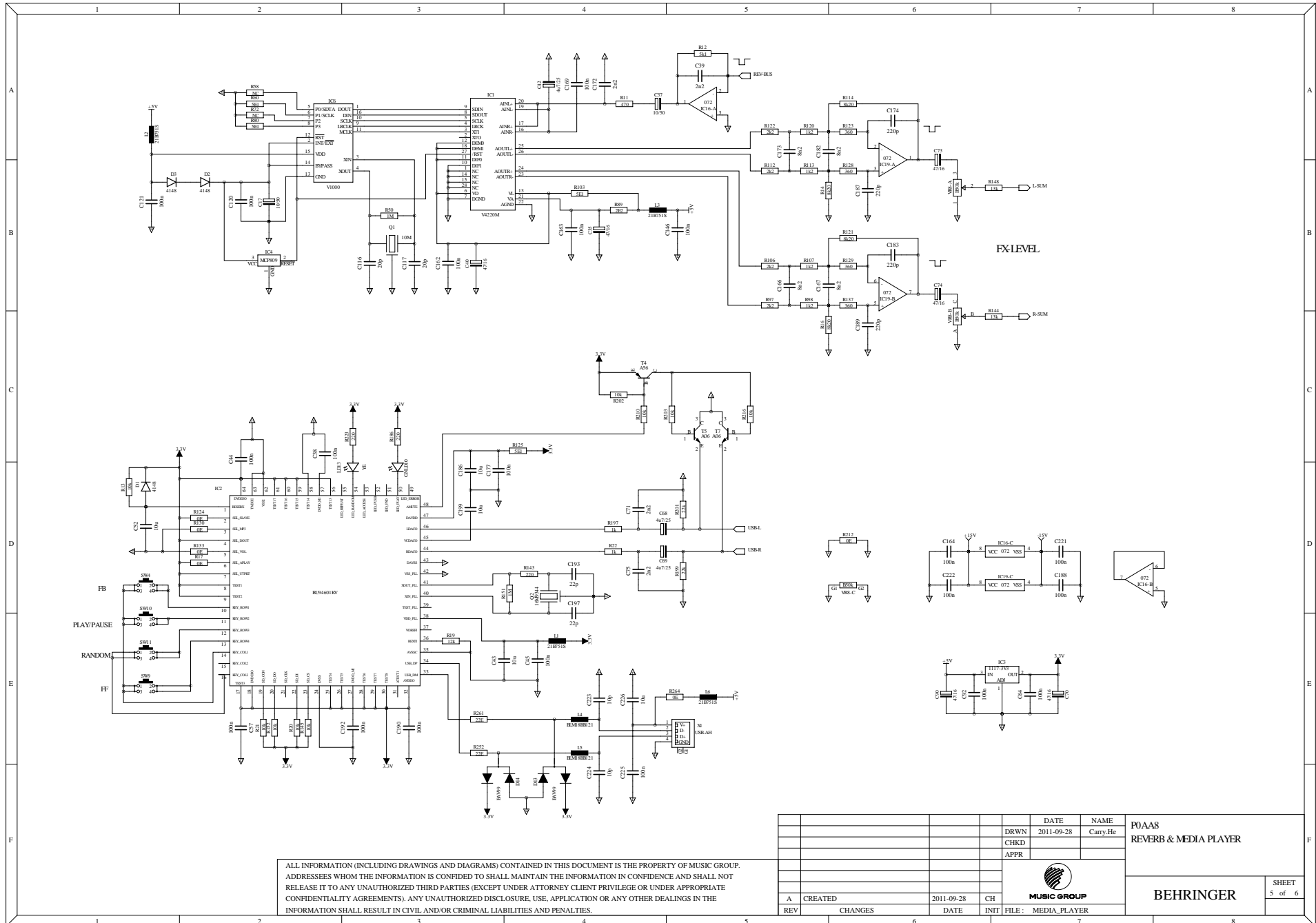
DATE	2011-09-28	NAME	Carry.He	POAAS
DRWN		CHKD		REC/MONITOR
APPR				
				BEHRINGER
REV	A	CHANGES	2011-09-28	CH
REV		CHANGES	DATE	INIT
			FILE:	REC/MONITOR

SHEET 3 of 6




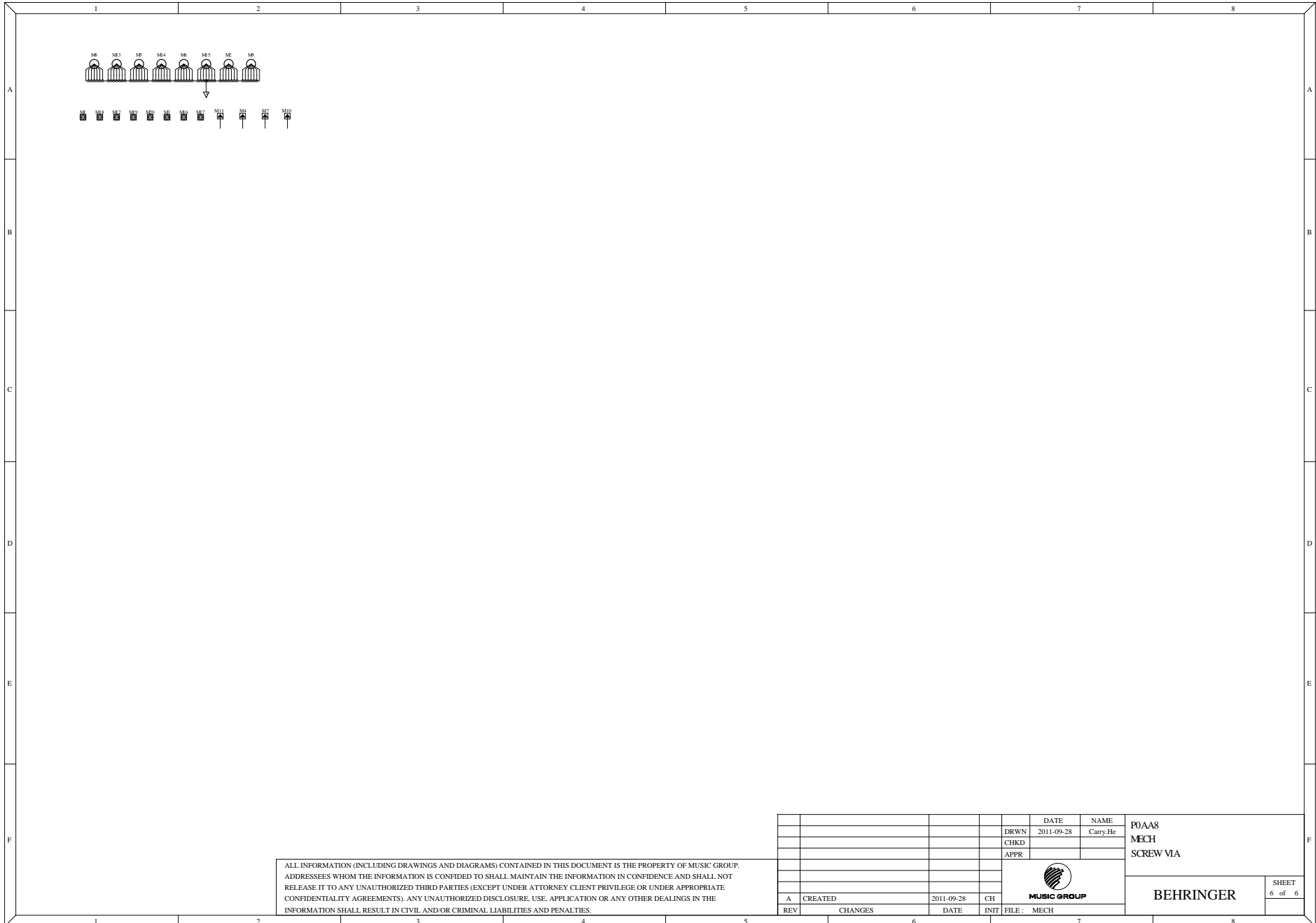
ALL INFORMATION (INCLUDING DRAWINGS AND DIAGRAMS) CONTAINED IN THIS DOCUMENT IS THE PROPERTY OF MUSIC GROUP. ADDRESSEES WHOM THE INFORMATION IS CONFIDED TO SHALL MAINTAIN THE INFORMATION IN CONFIDENCE AND SHALL NOT RELEASE IT TO ANY UNAUTHORIZED THIRD PARTIES (EXCEPT UNDER ATTORNEY CLIENT PRIVILEGE OR UNDER APPROPRIATE CONFIDENTIALITY AGREEMENTS). ANY UNAUTHORIZED DISCLOSURE, USE, APPLICATION OR ANY OTHER DEALINGS IN THE INFORMATION SHALL RESULT IN CIVIL AND/OR CRIMINAL LIABILITIES AND PENALTIES.

DATE	2011-09-28	NAME	Carry He	POAAS LIMITER AND LEVEL METER	
DRWN		CHKD			
APPR					
REV	A	CREATED	2011-09-28	CH	 BEHRINGER
		CHANGES		INIT	
					SHEET 4 of 6



ALL INFORMATION (INCLUDING DRAWINGS AND DIAGRAMS) CONTAINED IN THIS DOCUMENT IS THE PROPERTY OF MUSIC GROUP. ADDRESSEES WHOM THE INFORMATION IS CONFIDED TO SHALL MAINTAIN THE INFORMATION IN CONFIDENCE AND SHALL NOT RELEASE IT TO ANY UNAUTHORIZED THIRD PARTIES (EXCEPT UNDER ATTORNEY CLIENT PRIVILEGE OR UNDER APPROPRIATE CONFIDENTIALITY AGREEMENTS). ANY UNAUTHORIZED DISCLOSURE, USE, APPLICATION OR ANY OTHER DEALINGS IN THE INFORMATION SHALL RESULT IN CIVIL AND/OR CRIMINAL LIABILITIES AND PENALTIES.

DATE	2011-09-28	NAME	POAAS
DRWN	Carry.He		REVERB & MEDIA PLAYER
CHKD			
APPR			
		<b>BEHRINGER</b>	
REV	CHANGES	DATE	INIT
A	CREATED	2011-09-28	CH
		FILE:	MEDIA PLAYER
			SHEET 5 of 6

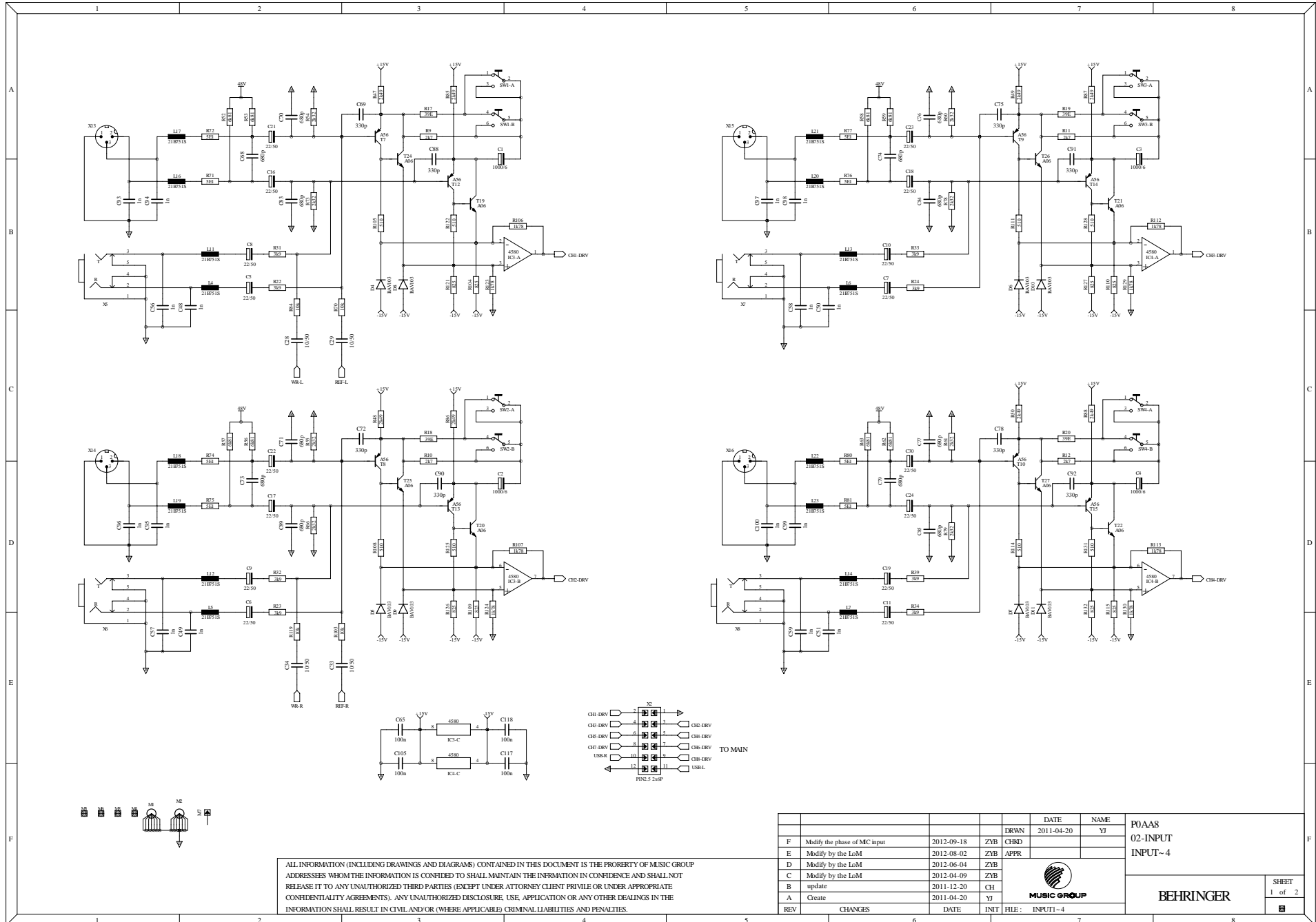


ALL INFORMATION (INCLUDING DRAWINGS AND DIAGRAMS) CONTAINED IN THIS DOCUMENT IS THE PROPERTY OF MUSIC GROUP. ADDRESSEES WHOM THE INFORMATION IS CONFIDED TO SHALL MAINTAIN THE INFORMATION IN CONFIDENCE AND SHALL NOT RELEASE IT TO ANY UNAUTHORIZED THIRD PARTIES (EXCEPT UNDER ATTORNEY CLIENT PRIVILEGE OR UNDER APPROPRIATE CONFIDENTIALITY AGREEMENTS). ANY UNAUTHORIZED DISCLOSURE, USE, APPLICATION OR ANY OTHER DEALINGS IN THE INFORMATION SHALL RESULT IN CIVIL AND/OR CRIMINAL LIABILITIES AND PENALTIES.

				DRWN	2011-09-28	CARRY.HE	POAAS
				CHKD			MECH
				APPR			SCREW VIA
A	CREATED	2011-09-28	CH				
REV	CHANGES	DATE	INIT	FILE:	MECH		

SHEET  
6 of 6

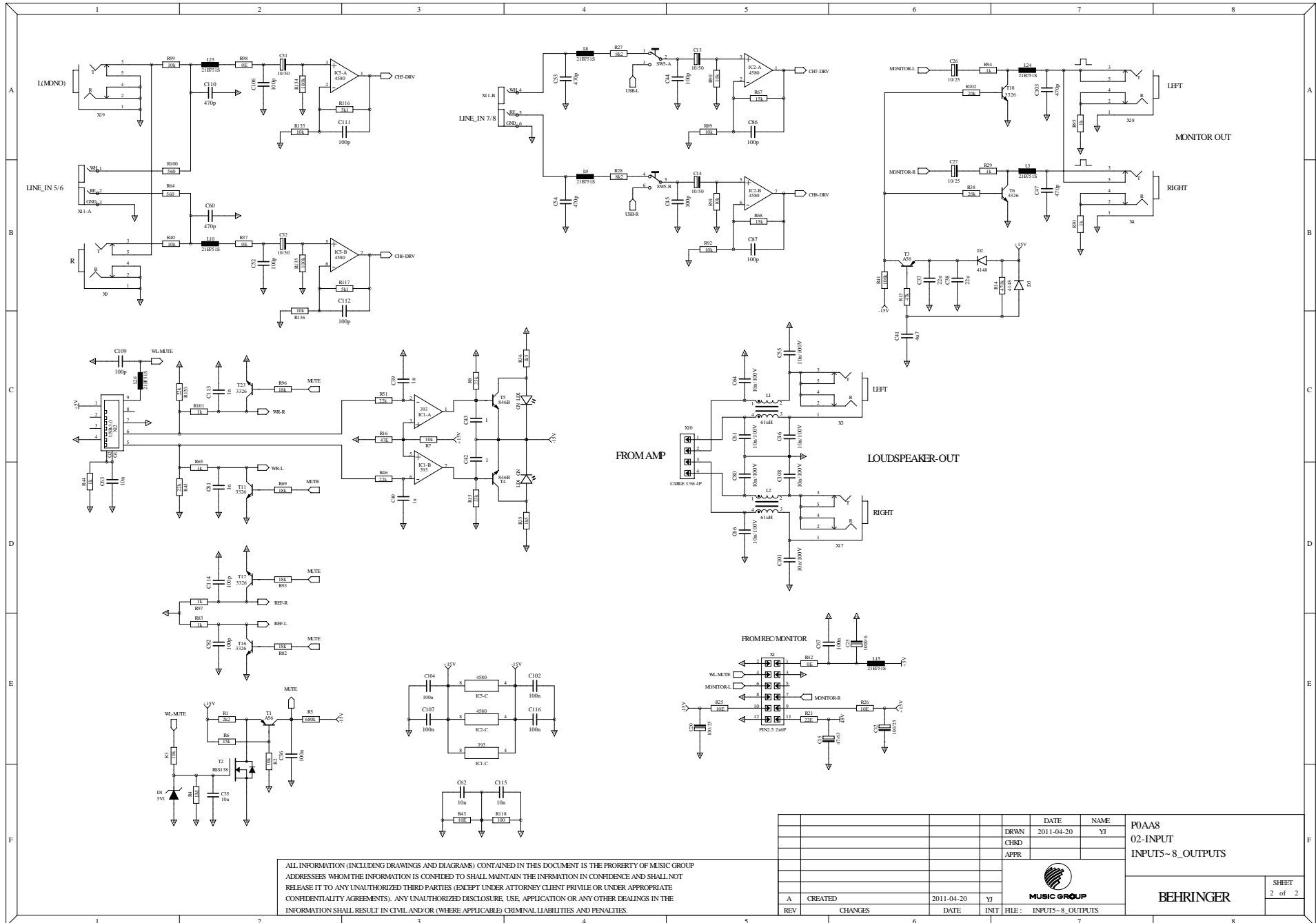




ALL INFORMATION (INCLUDING DRAWINGS AND DIAGRAMS) CONTAINED IN THIS DOCUMENT IS THE PROPERTY OF MUSIC GROUP ADDRESSES WHOM THE INFORMATION IS CONFIDED TO SHALL MAINTAIN THE INFORMATION IN CONFIDENCE AND SHALL NOT RELEASE IT TO ANY UNAUTHORIZED THIRD PARTIES (EXCEPT UNDER ATTORNEY CLIENT PRIVILEGE OR UNDER APPROPRIATE CONFIDENTIALITY AGREEMENTS). ANY UNAUTHORIZED DISCLOSURE, USE, APPLICATION OR ANY OTHER DEALINGS IN THE INFORMATION SHALL RESULT IN CIVIL AND/OR (WHERE APPLICABLE) CRIMINAL LIABILITIES AND PENALTIES.

REV	CHANGES	DATE	INT	FILE :	INPUT-4
F	Modify the phase of MC input	2012-09-18	ZYB	DRWN	2011-04-20
E	Modify by the LoM	2012-08-02	ZYB	CHRD	
C	Modify by the LoM	2012-04-09	ZYB	APPR	
D	Modify by the LoM	2012-06-04	ZYB		
B	update	2011-12-20	CH		
A	Create	2011-04-20	YJ		

POAAS	NAME	YJ
02-INPUT	NAME	
INPUT-4	NAME	
MUSIC GROUP		
BEHRINGER		
SHEET		1 of 2



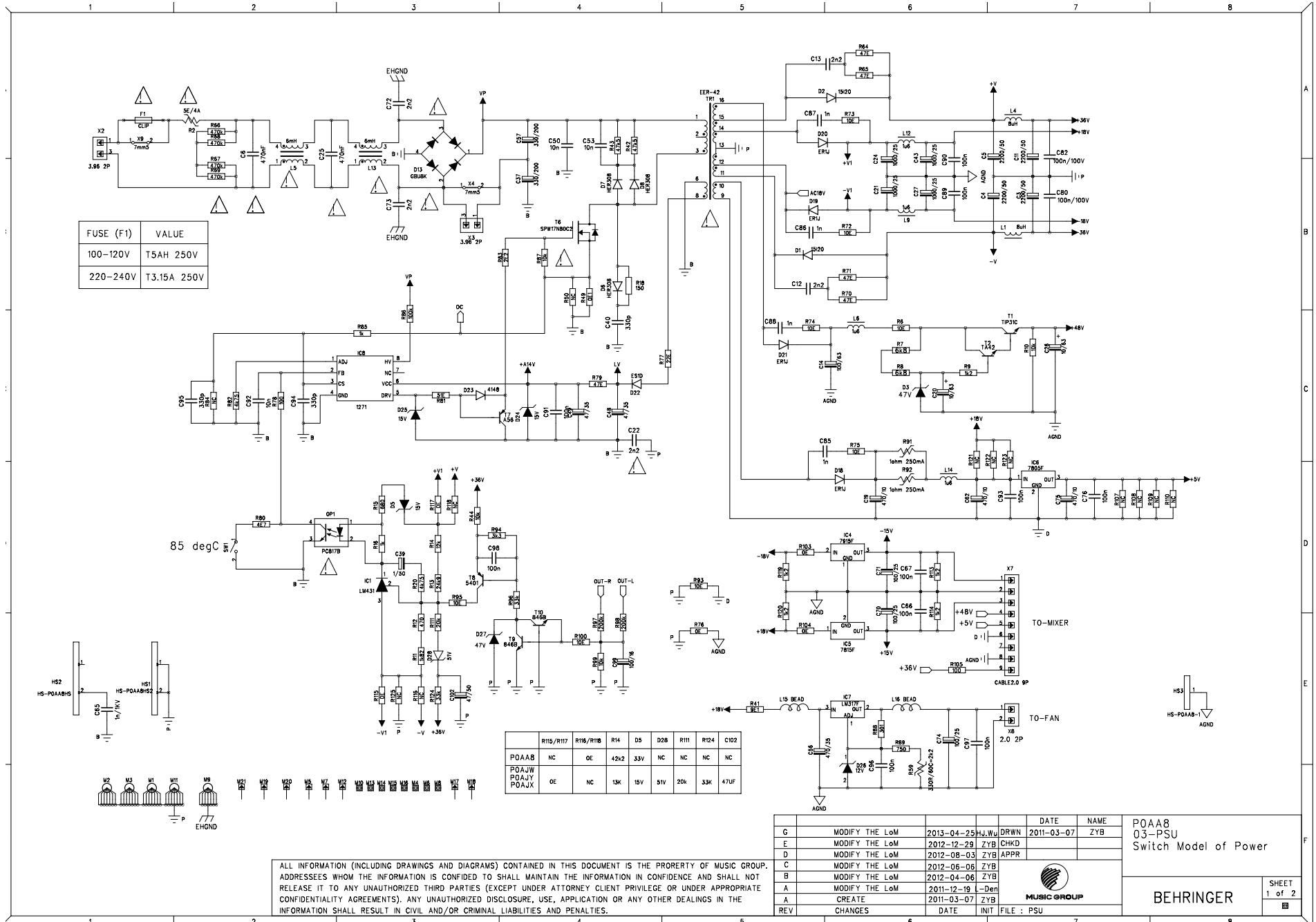
ALL INFORMATION (INCLUDING DRAWINGS AND DIAGRAMS) CONTAINED IN THIS DOCUMENT IS THE PROPERTY OF MUSIC GROUP ADDRESSES WHOM THE INFORMATION IS CONFIDED TO SHALL MAINTAIN THE INFORMATION IN CONFIDENCE AND SHALL NOT RELEASE IT TO ANY UNAUTHORIZED THIRD PARTIES (EXCEPT UNDER ATTORNEY CLIENT PRIVILEGE OR UNDER APPROPRIATE CONFIDENTIALITY AGREEMENTS). ANY UNAUTHORIZED DISCLOSURE, USE, APPLICATION OR ANY OTHER DEALINGS IN THE INFORMATION SHALL RESULT IN CIVIL AND/OR (WHERE APPLICABLE) CRIMINAL LIABILITIES AND PENALTIES.

DATE	2011-04-20	NAME	POAAS
DRWN		YJ	02-INPUT
CHRD			INPUT5-8_OUTPUTS
APPR			
A		CREATED	2011-04-20
REV		CHANGES	DATE
		INT	FILE: INPUTS-8_OUTPUTS



BEHRINGER

SHEET 2 of 2



FUSE (F1)	VALUE
100-120V	T5AH 250V
220-240V	T3.15A 250V

	R115/R117	R116/R118	R14	D5	D26	R11	R124	C102
POAAB	NC	0E	42k2	33V	NC	NC	NC	NC
POAJW	0E	NC	15k	15V	51V	20k	33k	47UF
POAJX								

REV	CHANGES	DATE	INIT	FILE	DATE	NAME
G	MODIFY THE LoM	2013-04-25	HJ.Wu	DRWN	2011-03-07	ZYB
E	MODIFY THE LoM	2012-12-29	ZYB	CHKD		
D	MODIFY THE LoM	2012-08-03	ZYB	APPR		
C	MODIFY THE LoM	2012-06-06	ZYB			
B	MODIFY THE LoM	2012-04-06	ZYB			
A	MODIFY THE LoM	2011-12-19	L-Den			
A	CREATE	2011-03-07	ZYB			

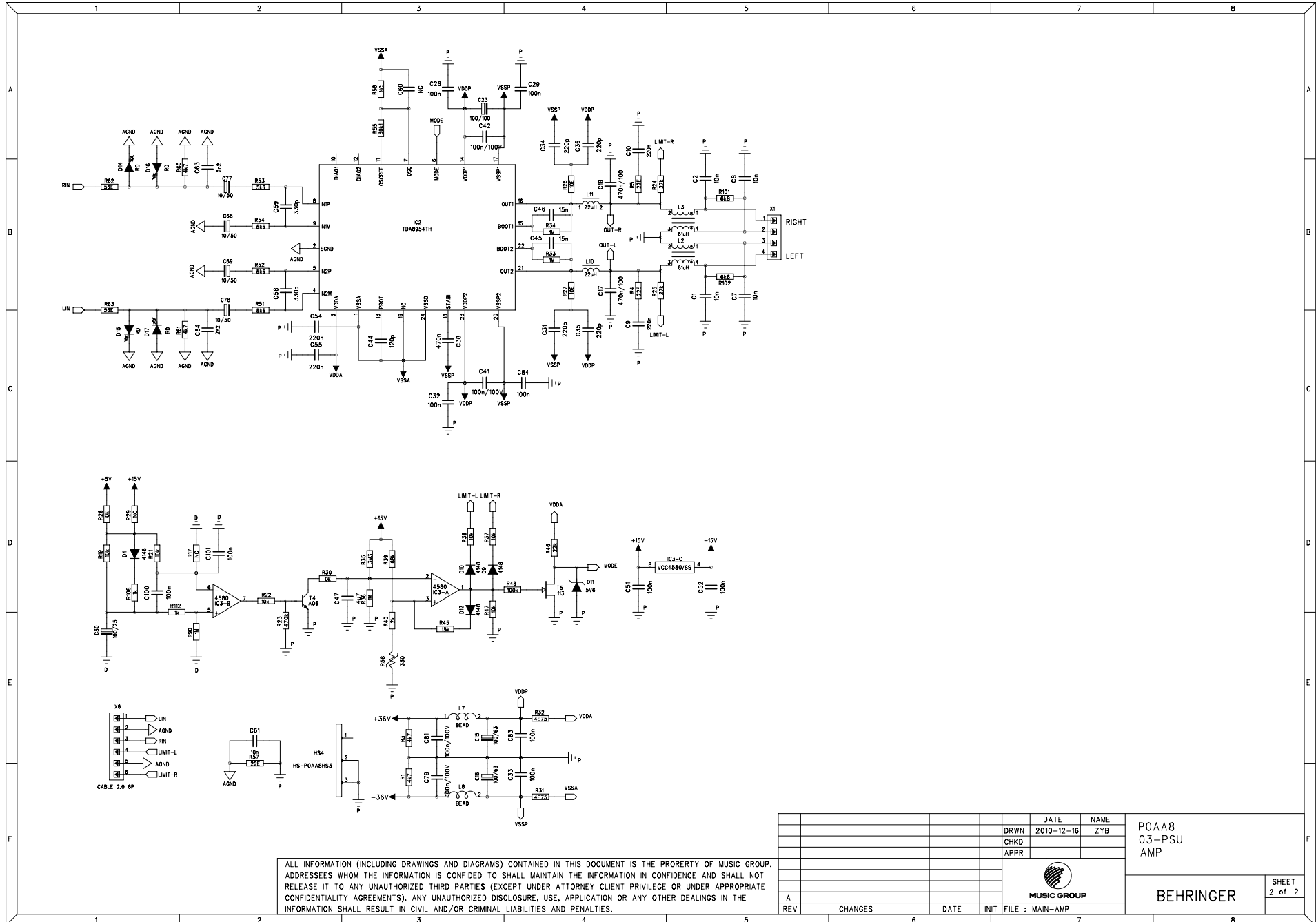
POAAB  
03-PSU  
Switch Model of Power

**BEHRINGER**

MUSIC GROUP

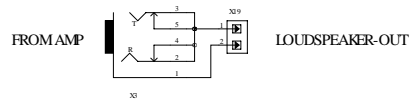
SHEET 1 of 2

ALL INFORMATION (INCLUDING DRAWINGS AND DIAGRAMS) CONTAINED IN THIS DOCUMENT IS THE PROPERTY OF MUSIC GROUP. ADDRESSEES WHOM THE INFORMATION IS CONFIDED TO SHALL MAINTAIN THE INFORMATION IN CONFIDENCE AND SHALL NOT RELEASE IT TO ANY UNAUTHORIZED THIRD PARTIES (EXCEPT UNDER ATTORNEY CLIENT PRIVILEGE OR UNDER APPROPRIATE CONFIDENTIALITY AGREEMENTS). ANY UNAUTHORIZED DISCLOSURE, USE, APPLICATION OR ANY OTHER DEALINGS IN THE INFORMATION SHALL RESULT IN CIVIL AND/OR CRIMINAL LIABILITIES AND PENALTIES.



ALL INFORMATION (INCLUDING DRAWINGS AND DIAGRAMS) CONTAINED IN THIS DOCUMENT IS THE PROPERTY OF MUSIC GROUP. ADDRESSEES WHOM THE INFORMATION IS CONFIDED TO SHALL MAINTAIN THE INFORMATION IN CONFIDENCE AND SHALL NOT RELEASE IT TO ANY UNAUTHORIZED THIRD PARTIES (EXCEPT UNDER ATTORNEY CLIENT PRIVILEGE OR UNDER APPROPRIATE CONFIDENTIALITY AGREEMENTS). ANY UNAUTHORIZED DISCLOSURE, USE, APPLICATION OR ANY OTHER DEALINGS IN THE INFORMATION SHALL RESULT IN CIVIL AND/OR CRIMINAL LIABILITIES AND PENALTIES.

DRWN	DATE	NAME	P0AA8 03-PSU AMP
CHKD	2010-12-16	ZYB	
APPR			
			BEHRINGER
REV	CHANGES	DATE	
			SHEET 2 of 2



		DATE	NAME	P0AA8 04-SPEAKER OUTPUT	SHEET 1 of 1
DRWN	2011-12-15	ZYB			
CHKD					
APPR					
ALL INFORMATION (INCLUDING DRAWINGS AND DIAGRAMS) CONTAINED IN THIS DOCUMENT IS THE PROPERTY OF BEHRINGER. ADDRESSEES WHOM THE INFORMATION IS CONFIDED TO SHALL MAINTAIN THE INFORMATION IN CONFIDENCE AND SHALL NOT RELEASE IT TO ANY UNAUTHORIZED THIRD PARTIES (EXCEPT UNDER ATTORNEY CLIENT PRIVILEGE OR UNDER APPLICABLE CONFIDENTIALITY AGREEMENTS). ANY UNAUTHORIZED DISCLOSURE, USE, APPLICATION OR ANY OTHER DEALINGS IN THE INFORMATION SHALL RESULT IN CIVIL AND/OR WHERE APPLICABLE CRIMINAL LIABILITIES AND PENAL TIES.		DATE	INIT	FILE : SPEAKER_OUTPUT	
REV	CHANGES	DATE	INIT		
		2012-12-30	ZYB		
	Create	2011-12-15	ZYB		





DATE	NAME	P0AA8	SHEET 1 of 1	
2011-03-25	LY			
05				
DRW				
CHKD				
APPR				
REV	CHANGES	DATE	INIT	FILE : <undefined>

ALL INFORMATION (INCLUDING DRAWINGS AND DIAGRAMS) CONTAINED IN THIS DOCUMENT IS THE PROPERTY OF BEHRINGER. ADDRESSEES WHOM THE INFORMATION IS CONFIDED TO SHALL MAINTAIN THE INFORMATION IN CONFIDENCE AND SHALL NOT RELEASE IT TO ANY UNAUTHORIZED THIRD PARTIES EXCEPT UNDER ATTORNEY CLIENT PRIVILEGE OR UNDER APPLICABLE CONFIDENTIALITY AGREEMENTS. ANY UNAUTHORIZED DISCLOSURE, USE, APPLICATION OR ANY OTHER DEALINGS IN THE INFORMATION SHALL RESULT IN CIVIL AND/OR WHERE APPLICABLE CRIMINAL LIABILITIES AND PENAL TIES.

**Hi Pcb Assemblies**

	<b>Quantity</b>	<b>Unit</b>	<b>Item</b>	<b>Rev</b>	<b>Description</b>	<b>Reference Designators</b>	<b>Notes</b>
1	1.0000	PC	A05-AA801-00106		PCB ASSEMBLY;P0AA8;1;F;HI;MAIN		
2	1.0000	PC	A05-AA802-00105		PCB ASSEMBLY;P0AA8;2;E;HI;INPUT		
3	1.0000	PC	A05-AA803-00107		PCB ASSEMBLY;P0AA8;3;G;HI;PSU_AMP		
4	2.0000	PC	A05-AA804-00101		PCB ASSEMBLY;P0AA8;4;A;HI;SPK;		
5	1.0000	PC	A05-AA805-00101		PCB ASSEMBLY;P0AA8;5;A;HI		

## Cable

	Quantity	Unit	Item	Rev	Description	Reference Designators	Notes
1	2.0000	PC	A70-61011-04824		CABLE;SPEAKER;;BLACK RIGHT ANGLE PLUGS;SILVER WHITE;PHONE PLUG 6mm3 MONO+BLACK OD:6mm5 PVC+PHONE PLUG 6mm3 MONO		
2	1.0000	PC	A70-61031-02507		CABLE;XLR FEMALE PLUG +6m10+XLR MALE PLUG;MIC;BLACK		
3	0.3380	M	A77-00000-13178		CABLE;STRANDWIRE;AWG:18;UL1007;ORANGE;Cable Standard;Orange	[P0AA8:02: {0.338}]	
4	1.0000	PC	A77-00000-50484		CABLE;STRANDWIRE;AWG:18;UL1672;RED;60 MM;Both sides 7mm stripped / tinned		
5	160.0000	MM	A77-00000-51000		LEAD WIRE;LOUDSPEAKER;COPPER ALLOY SILVER PLATED;DIA:1mm2;ATA16HKA42W		
6	50.0000	MM	A77-00000-59000		LEAD WIRE 05;LOUDSPEAKER;COPPER ALLOY SILVER PLATED;DIA:1mm;AG2JKA42W		
7	0.3200	M	A77-00000-64617		CABLE;STRANDWIRE;AWG:26;UL2468;1.5 MM;UL;PIN1 RED;FLAT RIBBON WIRE,POLES;9,PITCH:1mm5,PVC, 80C 300V	[P0AA8:03: {0.32}]	
8	78.0000	G	A77-00000-68586		CABLE;STRANDWIRE;COMMON;100 MM;COPPER WIRE;DIA 1.0MM	[P0AA8:05: {78.0}]	
9	0.3380	M	A77-00010-71201		RAW WIRE;JACKET:PVC;UL1007;CORES:1;300V;80 C;AWG:18;BLACK	[P0AA8:02: {0.338}]	
10	0.3380	M	A77-00010-71203		RAW WIRE;JACKET:PVC;UL1007;CORES:1;300V;80 C;AWG:18;YELLOW	[P0AA8:02: {0.338}]	
11	0.3380	M	A77-00010-71205		RAW WIRE;JACKET:PVC;UL1007;CORES:1;300V;80 C;AWG:18;RED	[P0AA8:02: {0.338}]	
12	0.5300	M	A77-00010-71901		RAW WIRE;JACKET:PVC;UL1007;CORES:1;300V;80 C;AWG:16;BLACK	[P0AA8:05: {0.265}] <b>[P0AA8:05: {0.265}]</b>	
13	0.4050	M	A77-00010-71903		RAW WIRE;JACKET:PVC;UL1007;CORES:1;300V;80 C;AWG:16;YELLOW	[P0AA8:05: {0.405}]	
14	0.2650	M	A77-00010-71904		RAW WIRE;JACKET:PVC;UL1007;CORES:1;300V;80 C;AWG:16;WHITE	[P0AA8:05: {0.265}]	
15	0.2650	M	A77-00010-71905		RAW WIRE;JACKET:PVC;UL1007;CORES:1;300V;80 C;AWG:16;RED	[P0AA8:05: {0.265}]	
16	0.4050	M	A77-00010-71907		RAW WIRE;JACKET:PVC;UL1007;CORES:1;300V;80 C;AWG:16;BLUE	[P0AA8:05: {0.405}]	
17	0.0980	M	A77-00020-72908		RAW WIRE;HOOK-UP;JACKET:PVC;UL1015;CORES:1;600V;105 C;AWG:16;GREEN/YELLOW		
18	0.1700	M	A77-00030-75201		RAW WIRE;HOOK-UP;DOUBLE INSULATED;JACKET:PVC;UL1672;CORES:1;300V;105 C;AWG:18;BLACK		



	Quantity	Unit	Item	Rev	Description	Reference Designators	Notes
19	0.2500	M	A77-00030-75205		RAW WIRE;HOOK-UP;DOUBLE INSULATED;JACKET:PVC;UL1672;CORES:1;300V;105 C;AWG:18;RED		
20	0.1280	M	A77-00080-00601		RAW WIRE;MULTICORE;SHIELDED;JACKET:PVC;UL2547;CORE S:5;80V;AWG:26;BLACK;5C(RED/ORANGE/BLACK/YELLOW/BROWN)+SPIRAL SHIELD	[P0AA8:03: {0.128}]	
21	0.1800	G	A77-01000-50000		LEAD WIRE;VOICE COIL;PESV;DIA:0mm10		
22	1.0000	PC	A77-08027-92908		CABLE;STRANDWIRE;LENGTH:80mm;ZEE;AWG:16;UL1015;STRIP-TIN/LUG 4mm3;S/T LENGTH:10mm;COLOR:YEL/GRN		
23	1.0000	PC	A81-00000-41632		WIRE HARNESS;AWG:26;UL2547;2 MM;6;PIN1 RED;110 MM;P1018-6P;A2006H-6P;PIN2 SHIELD	[P0AA8:03: {1.0}]{X6}	
24	1.0000	PC	A81-00000-50483		WIRE HARNESS;AWG:18;UL1007;3.96 MM;4;COMMON;PIN1 RED;320 MM;JS4008-4P;JS1121-4P;Add shrinkage tube	[P0AA8:02: {1.0}]{X10}	
25	1.0000	PC	A81-00000-58473		WIRE HARNESS;AWG:18;UL1672;3.96 MM;3;PIN1 RED;150 MM;JS1121-03P;NO PIN2;S/T:7mm;add tube		
26	1.0000	PC	A81-00000-58493		WIRE HARNESS;AWG:26;UL2468;2 MM;9;320 MM;P1018-9P;A2006H-9P;ADD SHRINKAGE TUBE	[P0AA8:03: {1.0}]{X7}	
27	1.0000	PC	A88-00000-09340		CABLE;SPEAKER;AWG:16;UL1007;3.96 MM;2;COMMON;360 MM;BLUE/YELLOW;JS1121;S/T:10mm	[P0AA8:05: {1.0}]	
28	1.0000	PC	A88-00000-61531		CABLE;SPEAKER;AWG:16;UL1007;RED;220 MM;RED:5.2mm;BLACK:2.8mm;S/T:5MM;Lock tape	[P0AA8:05: {1.0}]	
29	1.0000	PC	A88-00000-61532		CABLE;SPEAKER;AWG:16;UL1007;WHITE;220 MM;BLACK AMP:5.2mm;lock tape;S/T:5MM	[P0AA8:05: {1.0}]	
30	1.0000	PC	A76-15042-05624		CABLE;AC-CORD;W/POLYBAG;LENGTH:150cm;H05VV-F3G0.75MM2;VERSION;UK;SPEC.NO:05624		(UK)
31	1.0000	PC	A76-00000-01873		CABLE;AC-CORD;AWG:14;UL1571;3;1500 MM;CABL:AC-CORD;3P;AWG14;150cm		(UL)
32	1.0000	PC	A76-15020-00253		CABLE;AC-CORD;CLASS II;JAPAN;W/POLYBAG;LENGTH:150cm;POLES:3;APPROVAL:PSE;PLUGS:M744 + VCTF 3x2.0mm2 + V1625BS;(VOLEX 052603/2)		(JP, HL, SH)
33	1.0000	PC	A76-00000-05305		CABLE;AC-CORD;3;BR;1500 MM;Plug + Connector:375+730;H05VV-F 3G0.75		(BR)
34	1.0000	PC	A76-18050-47490		CABLE;AC-CORD;LENGTH:180cm;VERSION:SAA;PLUG:HE105 ISOLATED;SAA H05VV-F 3x0.75mm2;CONN.HP-3;SPEC.NO:47490		(SAA)
35	1.0000	PC	A76-00000-13573		CABLE;AC-CORD;3;AR;1500 MM;Plug + Connector:321+730;H05VV-F 3G0.75		(AR)
36	1.0000	PC	A76-15212-03119		CABLE;AC-CORD;W/POLYBAG;LENGTH:152cm;H05VV-F 3G 0.75MM2;VERSION;EU;SPEC.NO:03119		(EU)

## Circuit Protector

	Quantity	Unit	Item	Rev	Description	Reference Designators	Notes
1	2.0000	PC	B21-15201-52000		FUSE CLIP;2 A;V;ZINC PLATING;250V;SERIES;520;FUSE;250 V;PLATING	[P0AA8:03: {2.0}]	For F1
2	1.0000	PC	B22-01513-31501		FUSE;3A15;250V;SLOW BLOW;H-TYPE;5mm x 20mm	F1]	(EU, UK, SAA, AR)
3	1.0000	PC	B22-01515-00001		FUSE;5A;250V;SLOW BLOW;H-TYPE;5mm x 20mm	F1]	(UL, JP, BR, HL, SH)

## Coil

	Quantity	Unit	Item	Rev	Description	Reference Designators	Notes
1	1.0000	PC	B30-00000-56178		COIL;AIR;150 uH;0.3 OHMS;30 MM;150uH;PITCH:30mm	[P0AA8:05: {1.0}(L2)]	
2	1.0000	PC	B31-00000-56177		COIL;BAR;1.3 mH;0.3 OHMS;IND_LC60-006B	[P0AA8:05: {1.0}(L1)]	
3	1.0000	PC	B31-00001-02792		COIL;BAR;1.3 mH;DCR:0.24 OHM;AIR;1.3 MH;N/A	[P0AA8:05: {1.0}]	
4	2.0000	PC	B33-12200-03030		COIL;22uH;PITCH:7mm52;TURNS:11.5;RAD;(3L:FS1618-220K-B3.5)	[P0AA8:03: {2.0}(L10-L11)]	
5	2.0000	PC	B37-00000-27563		COIL;CHOKE;6 mH;ET24;L:6mH MIN1KHZ,0.25V.SG	[P0AA8:03: {2.0}(L5, L13)]	
6	4.0000	PC	B37-01603-04435		COIL;CHOKE;1uH6;UL TUBE:5 x 16m;WIRE DIA:2UEW0mm6;9.5TURNS	[P0AA8:03: {4.0}(L6, L9, L12, L14)]	
7	2.0000	PC	B37-08002-04144		COIL;CHOKE;8uH;15%;CORE:29 x 13mm;PITCH:10mm;6300mA	[P0AA8:03: {2.0}(L1, L4)]	
8	4.0000	PC	B37-76100-05127		COIL;CHOKE;61uH;P:6MM;T10X6X5	[P0AA8:02: {2.0}(L1-L2)] <b>[P0AA8:03: {2.0}(L2-L3)]</b>	
9	28.0000	PC	B39-00000-03394		COIL;SMD;BEAD;SMD0805;(BLM21BD751SN1D)	[P0AA8:01: {4.0}(L1-L3, L6)] <b>[P0AA8:02: {24.0}(L3-L26)]</b>	
10	2.0000	PC	B39-21202-00018		COIL;SMD BEAD;SMD1608;(MURATA BLM18BB121))	[P0AA8:01: {2.0}(L4-L5)]	
11	4.0000	PC	B44-31500-04970		FERRITE BEAD;RH3.5*0.8*4.7-F5B	[P0AA8:03: {4.0}(L7-L8, L15-L16)]	

## Connector

	Quantity	Unit	Item	Rev	Description	Reference Designators	Notes
1	1.0000	PC	B83-00000-11200		USB CONNECTOR;4;VERTICAL;CHUNSHENG;USB-A-110BK-EP	[P0AA8:01: {1.0}(X1)]	
2	1.0000	PC	B83-00000-35510		CONNECTOR;9;NICKEL;SOCKET;USB3.0;VERTICAL;H:24mm	[P0AA8:02: {1.0}(X12)]	
3	3.0000	PC	B84-00000-01620		AMP TERMINAL;BRASS W TIN;7205A-BS-2	[P0AA8:05: {2.0}] <b>[P0AA8:05: {1.0}]</b>	
4	1.0000	PC	B84-00000-01623		AMP TERMINAL;BRASS;71155-BS-2	[P0AA8:05: {1.0}]	
5	4.0000	PC	B84-19056-06015		CONNECTOR;TERMINAL;BRASS W TIN;AWG16-22;JS-4008-T	[P0AA8:02: {4.0}]	
6	8.0000	PC	B84-22000-06018		CRIMP TERMINAL;PITCH:3mm96;AWG18-22;A3963TOP-2	[P0AA8:02: {4.0}] <b>[P0AA8:05: {2.0}]</b>	
7	15.0000	PC	B84-25016-06014		CRIMP TERMINAL;PITCH:2mm0;AWG24-30;A2008TOP-2	[P0AA8:03: {6.0}] <b>[P0AA8:03: {9.0}]</b>	
8	3.0000	PC	B84-30000-06293		JACKET;FOR 205 TERMINAL.;DIA:4mm	[P0AA8:05: {2.0}] <b>[P0AA8:05: {1.0}]</b>	
9	1.0000	PC	B84-30036-01407		CONNECTOR;AMP CONN TERMINAL;MALE;RIVETED;MATERIAL:BRASS/PAPER;TR29B02A;2 WIRE;(LS-TR29B02A-REVA.DWG)		
10	1.0000	PC	B84-30050-06302		JACKET;110-3.5;DIA:3mm5	[P0AA8:05: {1.0}]	
11	1.0000	PC	B84-42050-00155		CRIMP CONNECTOR;LUG;INNER DIA:4mm3;AWG 14-18;WIRE MOUNT;STRAIGHT		
12	4.0000	PC	B95-14380-00168		CONNECTOR;XLR;SOCKET;FEMALE;STRAIGHT;POLES:3;NO:4;(CHUNSHENG CT3-04HF)	[P0AA8:02: {4.0}(X13-X16)]	
13	1.0000	PC	B93-00000-29798		BARE WIRE;DIA:1MM;L:7.5MM;PRE-CUT:3.3MM	X4]	(UL, JP, BR, HL, SH)

## Diode

	Quantity	Unit	Item	Rev	Description	Reference Designators	Notes
1	8.0000	PC	C11-06030-10313		DIODE;BAV103;SOD80;TEMIC	[P0AA8:02: {8.0}(D4-D11)]	
2	2.0000	PC	C11-07030-09902		DIODE;BAV99;SOT23;SMD	[P0AA8:01: {2.0}(D13-D14)]	
3	23.0000	PC	C11-09014-14802		DIODE;LL4148;LL34;TEMIC OR FC	[P0AA8:01: {16.0}(D1-D12, D15-D18)] <b>[P0AA8:02: {2.0}(D2-D3)]</b> [P0AA8:03: {5.0}(D4, D9-D10, D12, D23)]	
4	4.0000	PC	C11-20430-00124		DIODE;SUPERFAST;ER1J;600V;1A;35NS;DO-214AA;SMD	[P0AA8:03: {4.0}(D18-D21)]	
5	1.0000	PC	C12-14200-05103		DIODE;ZMM05V1;SMD1206	[P0AA8:02: {1.0}(D1)]	
6	1.0000	PC	C12-14200-05603		DIODE;ZMM05V6;SMD1206	[P0AA8:03: {1.0}(D11)]	
7	1.0000	PC	C12-14200-12003		DIODE;ZMM12V0;SMD1206	[P0AA8:03: {1.0}(D26)]	
8	2.0000	PC	C12-14200-15003		DIODE;ZMM15V0;SMD1206	[P0AA8:03: {2.0}(D24-D25)]	
9	1.0000	PC	C12-14200-33003		DIODE;ZMM33V0;SMD1206	[P0AA8:03: {1.0}(D5)]	
10	1.0000	PC	C12-14200-47003		DIODE;ZMM47V0;SMD1206	[P0AA8:03: {1.0}(D3)]	
11	3.0000	PC	C13-08210-30802		DIODE;RECTIFIER;1000V;HER308 REEL;3A;DO201AD	[P0AA8:03: {3.0}(D6-D8)]	
12	2.0000	PC	C13-45110-01500		DIODE;DPG15I200PA;TO220AC	[P0AA8:03: {2.0}(D1-D2)]	
13	1.0000	PC	C14-20430-00024		DIODE;SUPERFAST;ES1D;200V;1A;15NS;DO-214AC;SMD	[P0AA8:03: {1.0}(D22)]	

## Hardware

	Quantity	Unit	Item	Rev	Description	Reference Designators	Notes
1	3.0000	PC	F83-00000-15031		CABLE TIE;WIDTH:3mm;LENGTH:150mm	[P0AA8:05: {3.0}]	
2	1.0000	PC	F83-10030-05231		WIRECLAMP;LUG;3mm;LENGTH:52mm;OUTER DIA;7mm5;PLASTIC COVERED STEEL;COLOR:BLK		
3	1.0000	G	F84-01800-09286		THERM-GREASE;COLOR:WHT;SPEC.NO:09286	[P0AA8:03: {1.0}]	
4	0.9740	G	F84-03000-01090		SCREWLOCK;SPEC.NO:01090	[P0AA8:05: {0.037}]	
5	1.0000	PC	F85-04000-44003		HEX. NUT;M4mm;SURFACE:CR(III)		
6	8.0000	PC	F85-09520-44755		HEX. NUT;FOR JACK;M 3/8in;HEXWRENCH:11mm;THICKNESS:2mm;SURFACE:NICKEL/SLV		
7	4.0000	PC	F85-09535-45795		OCT. NUT;FOR JACK;3/8in;OCTWRENCH:14.5mm;THICKNESS:3.5mm;SURFACE:NICKEL/SILVER		
8	4.0000	PC	F86-00000-36191		WASHER;PLASTIC;RESIN;WASHER; ID6.MM,OD10MM;T0.5MM		
9	4.0000	PC	F87-00000-56292		RUBBER;TRANSLUCENT;P0AB3-SWITCH_CAP,REVA		
10	2.0000	PC	F87-00000-57709		RUBBER;BLACK;WASHER;8MM;REVA		
11	1.0000	PC	F87-00000-61623		RUBBER;BLACK;RUBBER CAP;P0AA8;50D;SILICON RUBBER;REVA		
12	1.0000	PC	F87-00100-14686		GAP PAD;SIZE:35.5*27*3mm;P0813;DST.NO:001;DPT.NO:14686;(I00508P-GAP_PAD-REVA)		
13	14.0000	PC	F88-00000-62568		SCREW;A;5 MM;30 MM;PAN;ZINC;BLACK;PHILIPS REC.		
14	6.0000	PC	F88-30060-30291		SCREW;M3mm*6mm;HEAD:PAN;INSERT:PHILIPS REC.;SURFACE:SILVER/ZINC		
15	1.0000	PC	F88-30061-20291		SCREW;M3mm*06mm;HEAD:PAN SPRING WASHER;INSERT:PHILIPS REC.;SURFACE:SILVER/ZINC	[P0AA8:03: {1.0}]	
16	8.0000	PC	F88-30061-40297		SCREW;M3mm*6mm;HEAD:TRUSS DIA5mm2 HEIGHT 1mm5;INSERT:PHILIPS REC.;SURFACE:BLACK/ZINC		
17	6.0000	PC	F88-30080-30241		SCREW;BT3mm*8mm;HEAD:PAN;INSERT:PHILIPS REC.;SURFACE:ZINC		
18	21.0000	PC	F88-30080-30247		SCREW;BT3mm*8mm;HEAD:PAN;INSERT:PHILLIPS REC.;SURFACE:BLACK/ZINC		
19	8.0000	PC	F88-30080-30291		SCREW;M3mm*8mm;HEAD:PAN;INSERT:PHILIPS REC.;SURFACE:ZINC	[P0AA8:01: {2.0}]	
20	4.0000	PC	F88-30080-30297		SCREW;M3mm*8mm;HEAD:PAN;INSERT:PHILLIPS REC.;SURFACE:BLACK/ZINC		
21	8.0000	PC	F88-30080-50277		SCREW;M3mm*8mm;PITCH:0mm5;HEAD:FLAT;INSERT:PHILIPS REC.;SURFACE:BLACK/ZINC		
22	15.0000	PC	F88-30081-20291		SCREW;M03mm*08mm;HEAD:PAN SPRING WASHER;INSERT:PHILIPS REC.;SURFACE:SILVER/ZINC	[P0AA8:03: {15.0}]	

	Quantity	Unit	Item	Rev	Description	Reference Designators	Notes
23	8.0000	PC	F88-30100-30247		SCREW;BT3mm*10mm;HEAD:PAN;INSERT:PHILIPS REC.;SURFACE:BLACK/ZINC		
24	1.0000	PC	F88-30100-50217		SCREW;A3mm*10mm;HEAD:FLAT;INSERT:PHILIPS REC.;SURFACE:BLACK/ZINC		
25	4.0000	PC	F88-30121-20291		SCREW;M3mm*12mm;HEAD:PAN SPRING WASHER;INSERT:PHILIPS REC.;SURFACE:SILVER/ZINC	[P0AA8:03: {4.0}]	
26	8.0000	PC	F88-40100-30247		SCREW;BT4mm*10mm;HEAD:PAN;INSERT:PHILIPS REC.;SURFACE:BLACK/ZINC		
27	12.0000	PC	F88-40130-30217		SCREW;A4mm*13mm;HEAD:PAN;INSERT:PHILIPS REC.;SURFACE:BLACK/ZINC		
28	8.0000	PC	F88-40130-30247		SCREW;BT4mm*13mm;HEAD:PAN;INSERT:PHILIPS REC.;SURFACE:BLACK/ZINC		
29	4.0000	PC	F88-40150-30297		SCREW;M4mm*15mm;HEAD:PAN;INSERT:PHILIPS REC.;SURFACE:BLACK/ZINC		
30	2.0000	PC	F88-40180-30297		SCREW;M4mm*18mm;HEAD:PAN;INSERT:PHILIPS REC.;SURFACE:BLACK/ZINC		
31	2.0000	PC	F88-50140-20297		SCREW;M5mm*14mm;HEAD:BINDING;INSERT:PHILIPS REC.;SURFACE:BLACK/ZINC		
32	1.0000	PC	F89-00000-02379		INSULATION SHEET;AL OXIDE;TO247;1mm	[P0AA8:03: {1.0}]	
33	2.0000	PC	F89-07000-00000		INSULATION SHEET;SI-RUBBER;TO220 W/HOLE	[P0AA8:03: {2.0}]	
34	2.0000	PC	F91-02020-05792		SILICA GEL;MASS;20g;SPEC.NO:20QB-BB2001-4		
35	8.0000	PC	F94-00000-39138		STUD;M;3 MM;HEX;CHROME;HEXAGON REC.;0.5 MM;P0AA8_STUD-REVA		
36	2.0000	PC	F94-00000-57783		STUD;M;3 MM;8.4 MM;THREAD-DIA;3mm;LENGTH:8mm8;EXT/INT;EXT;5mm	[P0AA8:01: {2.0}]	
37	8.0000	PC	F94-30138-30000		STUD;THREAD-DIA;3mm;LENGTH:13mm8;INT/INT	[P0AA8:01: {2.0}]	
38	0.0930	M	F95-00000-28562		SHRINKING TUBE;BLACK;HEAT SHRINK TUBING;2:1;35mm;5M	[P0AA8:05: {0.063}]	
39	0.3480	M	F95-00900-04425		SHRINKING TUBE;INNER DIA:9mm0	[P0AA8:02: {0.308}] <b>[P0AA8:03: {0.04}]</b>	
40	0.0820	M	F95-01000-43217		SHRINKING TUBE;INNER DIA;1mm;SPEC.NO:43217	[P0AA8:03: {0.032}] <b>[P0AA8:03: {0.05}]</b>	0.016mm for R1;0.016mm for R3.
41	0.0450	M	F95-04000-01098		SHRINKING TUBE;INNER DIA;4mm;SPEC.NO:01098	[P0AA8:03: {0.03}]	
42	0.1080	M	F95-05200-16898		SHRINKING TUBE;INNER DIA:5mm2;SPEC.NO:16898;		
43	0.0600	M	F95-06000-01099		SHRINKING TUBE;INNER DIA;6mm;SPEC.NO:01099		
44	0.0300	M	F95-25005-00000		SHRINKING TUBE;INNER DIA:25mm;THICKNESS:0mm5;		
45	6.0000	PC	F96-00000-00836		WASHER;9.7 MM;16 MM;NICKEL;WHITE;WASHER;FLAT;DIM:9.7*16*0.5mm;N/C		
46	4.0000	PC	F96-00000-35680		WASHER;4 MM;9 MM;RETAINING_RING,REVA		
47	1.0000	PC	F96-00000-59404		WASHER;5 MM;11 MM;NICKEL;RETAINING_RING,5MM		

	Quantity	Unit	Item	Rev	Description	Reference Designators	Notes
48	4.0000	PC	F96-10300-60050		WASHER;PLAIN;INNER DIA:3mm;OUTER DIA:6mm;THICKNESS:0mm5		
49	8.0000	PC	F96-10961-30505		WASHER;PLAIN;INNER DIA:9mm6;OUTER DIA:13mm;THICKNESS:0mm5;PLATING:NICKEL		
50	4.0000	PC	F96-40300-60100		WASHER;EXTERNAL TEETH;INNER DIA:3mm;OUTER DIA:6mm;THICKNESS:1mm		
51	1.0000	PC	F96-40400-70173		WASHER;EXTERNAL TEETH;INNER DIA:4mm;OUTER DIA:7mm;THICKNESS:1mm7;PLATING:CR(III)		
52	4.0000	PC	F96-40420-80111		WASHER;OVERLAP EXTERNAL TEETH;MATERIAL:STEEL 0mm5;INNER DIA:4mm2;OUTER DIA:8mm;THICKNESS:1mm1;PLATING:ZINC		
53	1.0000	PC	F97-00000-48063		FOAM SHEET;P0AA8;ELECTIRIC FOAM2;REVA		
54	4.0000	PC	F97-00000-48065		FOAM SHEET;P0AA8;ELECTIRIC FOAM1;REVA		
55	1.0000	PC	F97-00000-57701		INSULATION SHEET;MICA PLATE;25MM/19.5MM/0.15MM,REVA	[P0AA8:03: {1.0}]	
56	1.0000	PC	F97-00000-58099		ACOUSTICAL FOAM;WHITE;P0AA8;4000#;T=20MM;REVA		
57	4.0000	PC	F97-00000-60054		FOAM SHEET;P0AA8;FOAM;REVA		
58	1.0000	PC	F97-00000-62569		SHEET;P0AA8;BARRICADE;REVA	[P0AA8:03: {1.0}]	
59	2.0000	PC	F97-00000-63052		SHEET;GASKET;P0AA8;3.2x2.0x1370mm;REV:A		
60	1.0000	PC	F97-00000-64423		FOAM SHEET;P0A8;SUPPORT_FOAM,REVA		
61	4.0000	PC	F97-00000-76594		FELT SHEET;BLACK;P0AA8;SHOCK_ABSORBER,REVB		
62	2.0000	PC	F98-04400-27886		BUSHING;MINIATURE;NYLON;DWG.NO:27886;(R20-SC-PLA_NYLBUSHM3x1_4.DWG)	[P0AA8:03: {2.0}]	

## Ic

	Quantity	Unit	Item	Rev	Description	Reference Designators	Notes
1	1.0000	PC	C60-22422-00528		IC;AD/DA;V4220M;SSOP	[P0AA8:01: {1.0}(IC1)]	
2	1.0000	PC	C61-00000-25289		IC;POWER AMP;SOP;P-AMP;TDA8954TH;HSOP24;SMD	[P0AA8:03: {1.0}(IC2)]	
3	18.0000	PC	C73-00000-29050		IC;OPAMP;SMD;SOP;8;BA4580RF	[P0AA8:01: {13.0}(IC5, IC7-IC15, IC17-IC18, IC26)] <b>[P0AA8:02: {4.0}(IC2-IC5)]</b> [P0AA8:03: {1.0}(IC3)]	
4	3.0000	PC	C73-31007-40514		IC;OPAMP OPAMP;TL074;SOP;BRAND:ST ONLY	[P0AA8:01: {3.0}(IC20-IC21, IC25)]	
5	2.0000	PC	C73-58007-22208		IC;OPAMP OPAMP;TL072;SOP;BRAND:ST ONLY	[P0AA8:01: {2.0}(IC16, IC19)]	
6	1.0000	PC	C74-55031-71403		IC;VOLT.REGULATOR;LM317F;TO220 FULL	[P0AA8:03: {1.0}(IC7)]	
7	1.0000	PC	C75-00127-12207		IC;PWM CONTROLLER;NCP1271D65R2G;SOIC	[P0AA8:03: {1.0}(IC8)]	
8	1.0000	PC	C76-82215-90516		IC;VCA;VCA V2164;SOP	[P0AA8:01: {1.0}(IC22)]	
9	1.0000	PC	C77-00128-03000		IC;VOLT.REGULATOR;ZENERSHUNT.REGULATOR;SOT23;LM431ACM3/N1	[P0AA8:03: {1.0}(IC1)]	
10	1.0000	PC	C77-03128-03001		IC;VOLT.REGULATOR;NCP1117ST33T3;SOT223	[P0AA8:01: {1.0}(IC3)]	
11	1.0000	PC	C77-05107-03110		IC;VOLT.REGULATOR;7805F;FULLPACK;TO220	[P0AA8:03: {1.0}(IC6)]	
12	1.0000	PC	C77-15107-03110		IC;VOLT.REGULATOR;7815F;FULLPACK;TO220	[P0AA8:03: {1.0}(IC5)]	
13	1.0000	PC	C77-15207-03110		IC;VOLT.REGULATOR;7915F;FULLPACK;TO220	[P0AA8:03: {1.0}(IC4)]	
14	1.0000	PC	C78-55039-32208		IC;COMPARATOR;LM393;SOIC	[P0AA8:02: {1.0}(IC1)]	
15	2.0000	PC	C78-55133-90514		IC;COMPARATOR;(SGS ONLY);LM339;SOP;SMD	[P0AA8:01: {2.0}(IC23-IC24)]	
16	1.0000	PC	D12-00100-02217		IC;DIG COMM.;EUROTEC;V1000;SOIC	[P0AA8:01: {1.0}(IC6)]	
17	1.0000	PC	D24-48030-02803		IC;MICROCONTROLLER;MAX809STRG;Vth:2.93V;SOT	[P0AA8:01: {1.0}(IC4)]	
18	1.0000	PC	D28-00000-43472		IC;DIGITAL AUDIO;64;BU94601KV;VQFP64;SMD	[P0AA8:01: {1.0}(IC2)]	

## Led

	Quantity	Unit	Item	Rev	Description	Reference Designators	Notes
1	1.0000	PC	E10-00000-28401		LED HIB;3mm ROUND;AMBER;NORMAL BRIGHT;W/RING;LED;lv:Typ.60mcd	[P0AA8:01: {1.0}(LD16)]	
2	4.0000	PC	E10-07640-02120		LED HIB;SMD;RED;REFLECTOR;WATER CLEAR	[P0AA8:03: {4.0}(D14-D17)]	
3	6.0000	PC	E10-53565-00588		LED HIB;3mm ROUND;GREEN	[P0AA8:01: {4.0}(LD2, LD8-LD10)] <b>[P0AA8:02: {2.0}(LD1-LD2)]</b>	
4	5.0000	PC	E10-59585-00592		LED HIB;3mm ROUND;YELLOW	[P0AA8:01: {5.0}(LD1, LD11-LD14)]	
5	6.0000	PC	E12-57620-05882		LED;3mm ROUND;RD;WAVELENGTH :630645nm;Vf:1.82.6V;LUMINOUS INTENSITY:lv:80mcd-140mcd	[P0AA8:01: {6.0}(LD3-LD7, LD15)]	



**Manual**

	<b>Quantity</b>	<b>Unit</b>	<b>Item</b>	<b>Rev</b>	<b>Description</b>	<b>Reference Designators</b>	<b>Notes</b>
1	1.0000	PC	A56-00000-69282		SERVICE INFORMATION SHEET;P0000;EN;REV:003		
2	1.0000	PC	A54-00000-73709		QUICK START GUIDE;P0AA8;WW;REV:001		(EU, UL, UK, SAA, BR, AR)
3	1.0000	PC	A52-00000-40142		WARRANTY CARD;P0000;JA;DATE:01.07.2011;REVD		(JP, HL, SH)
4	1.0000	PC	A52-00000-42338		WARRANTY CARD;P0000;EN;REV:001		(AR)
5	1.0000	PC	A54-00000-73713		QUICK START GUIDE;P0AA8;JA;REV:001		(JP, HL, SH)

## Metal Part

	Quantity	Unit	Item	Rev	Description	Reference Designators	Notes
1	1.0000	PC	A60-00000-35492		METAL;P0AA8;HOLDER;SECC 0.8mm;PUNCHING AND BENDING;NATURAL;PCB HOLDER;REV:A		
2	2.0000	PC	A60-00000-35507		METAL;P0AA8;SECC 1.2mm;PLATE;PUNCHING AND BENDING;SPRAY PAINTED (SEMI-MATTE);DARK GRAY METTALIC;FIXING_PLATE;REV:A		
3	2.0000	PC	A60-00000-35512		METAL;P0AA8;SECC 1.2mm;PLATE;PUNCHING AND BENDING;SPRAY PAINTED (SEMI-MATTE);LOCK_PLATE;REV:A		
4	1.0000	PC	A60-00000-43876		METAL;P0AA8;SECC 0.5mm;COVER;STAMPING;NATURAL;PCB COVER,REVA		
5	1.0000	PC	A60-00000-57918		METAL;P0AER;LS-TP95S02		
6	1.0000	PC	A60-00100-05109		METAL;TOP PLATE;75x26.8x4H;DST.NO:001;DPT.NO:05109;(LS-TP75S02A-REVA.DWG)		
7	1.0000	PC	A63-00000-36187		METAL;P0AA8;ALUMINIUM;HEATSINK;EXTRUSION, CUTTING;NATURAL;P0AA8-HEATSINK1,REVA	[P0AA8:03: {1.0}]	
8	1.0000	PC	A63-00000-36188		METAL;P0AA8;ALUMINIUM;HEATSINK;EXTRUSION, CUTTING;NATURAL;P0AA8-HEATSINK2,REVA	[P0AA8:03: {1.0}]	
9	1.0000	PC	A63-00000-36189		METAL;P0AA8;ALUMINIUM;HEATSINK;BENDING;NATURAL;P0AA8-HEATSINK3,REVA	[P0AA8:03: {1.0}]	
10	1.0000	PC	A63-00000-50468		METAL;P0AA8;ALUMINIUM;HEATSINK;EXTRUSION;NATURAL;P0AA8_HEATSINK4,REVA	[P0AA8:03: {1.0}]	
11	52.0000	G	A63-00001-03739		METAL;BAR;POB59;MATERIAL:BLACK;60*10*0.35	[P0AA8:05: {52.0}]	
12	1.0000	PC	A65-00000-27003		METAL;P0AEE;ALUMINIUM;ALUMINUM;LS-PP44_5AL33_5A		
13	2.0000	PC	A65-00000-35496		METAL;P0AA8;BRASS;HANDLE;ANODIZING CHROME(III);BRASS HPB59-1;BENDING + MACHINING;HANDLE;REVA		
14	1.0000	PC	A65-00000-35504		METAL;P0AA8;HOLDER;SECC 1.0mm;PUNCHING AND BENDING;NATURAL;FAN HOLDER;REV:A		
15	2.0000	PC	A65-00000-35517		METAL;P0AA8;SECC 1.0MM;GRILL;PANTONE 8402C METTALIC;PUNCHING AND BENDING;PAINTING NORMAL;SPEAKER_GRILL;REV:A		
16	1.0000	PC	A65-00000-36194		METAL;P0AA8;SECC 2.0mm;BRACKET;PUNCHING AND BENDING;SPRAYING;BLACK;P0AA8-BRACKET,REVA		
17	1.0000	PC	A65-00000-36195		METAL;P0AA8;STEEL;PIN;MACHINING;High Gloss;P0AA8-DOWEL_PIN,REVA		
18	1.0000	PC	A65-00000-57908		METAL;P0AER;LS-TY95S02		
19	1.0000	PC	A65-00000-57923		METAL;P0AER;LS-FR209S02		
20	1.0000	PC	A65-00000-59104		METAL;P0AA8;SECC 0.4mm;MESH;CUTTING + PUNCHING;SPRAYING;PANTONE 8402C METTALIC;P0AA8;TWEETER-MESH;REVA		

	Quantity	Unit	Item	Rev	Description	Reference Designators	Notes
21	0.0800	G	A65-00100-03043		METAL;FOIL;KAPTON;WIDTH:80 mm;THICKNESS:0.08 mm		
22	1.0000	PC	A65-00100-05107		METAL;T-YOKE;75x5H-24.95x16H;DST.NO:001;DPT.NO:05107;(LS-TY75S02A-REVA.DWG)		
23	1.0000	PC	A65-00400-14932		METAL;NUT;THREAD ADAPTOR;C-1;DST.NO:004;DPT.NO:14932;(CONJUNCTION NUT-REVD.DWG)		
24	4.0000	PC	A67-00000-35513		METAL;P0AA8;STEEL 1.2mm;SPRING;ROTATIONAL MOULDING;ANODIZING NICKEL;METAL ;LOCK_SPRING;REV:A		
25	1.0000	PC	J00-00000-63721		METAL;P0AA8;SECC 1.0mm;PANEL;PUNCHING;SPRAYING;DARK GRAY METALLIC;MIXER;A001		

### Packaging Part

	Quantity	Unit	Item	Rev	Description	Reference Designators	Notes
1	1.0000	PC	G25-00000-70452		POLYFOAM;P0AA8;BOTTOM		
2	1.0000	PC	G25-00000-70454		POLYFOAM;P0AA8;TOP		
3	1.0000	PC	G25-00000-76729		POLYFOAM;P0AA8;SUPPORT, REVA		
4	1.0000	PC	G28-20050-07014		PE BAG;SIZE:5in*7in;04 PE;W/WARNING		
5	1.0000	PC	G28-20090-14010		PE BAG;SIZE:9in*14in;W/WARNING		
6	2.0000	PC	G28-20120-10219		PE BAG;SIZE:12+10*32;W/WARNING		
7	1.0000	PC	G32-00000-03966		SHIPPING CARTON;P0000;V1000;SOP16(W) PACKAGE;FINISH-CHIP TEST	[P0AA8:01: {1.0}]	
8	1.0000	PC	I40-00000-71386		MASTER CARTON;P0AA8;A000		

## Plastic Part

	Quantity	Unit	Item	Rev	Description	Reference Designators	Notes
1	1.0000	PC	G52-00000-57707		PLASTIC;P0AA8;ABS;KNOB;INJECTION;YS1285A;BLACK;KNOB_SCREW;M8;REVA		
2	1.0000	PC	G52-00000-58727		PLASTIC;P0AA8;ABS;KNOB;INJECTION;YS1285A;BLACK;KNOB_NUT;M8;REVA		
3	1.0000	PC	G52-00200-11003		KNOB;POT;(10);430C;CAP:WHITE;DST.NO:002;DPT.NO:11003;(PMX-POTKNOB(10)IN-REVB.DWG)		
4	7.0000	PC	G52-00200-11004		KNOB;POT;(12);430C;CAP:WHITE;DST.NO:002;DPT.NO:11004;(PMX-POTKNOB(12)IN-REVB.DWG)		
5	1.0000	PC	G52-00200-12257		KNOB;POTENTIOMETER;(10);430C;CAP:194C;DST.NO:002;DPT.NO:12257;(PMX-POTKNOB(10)IN-REVB.DWG)		
6	12.0000	PC	G52-00200-12258		KNOB;POTENTIOMETER;(10);430C;CAP:289C;DST.NO:002;DPT.NO:12258;(PMX-POTKNOB(10)IN-REVB.DWG)		
7	5.0000	PC	G52-00200-12269		PLASTIC;SWITCH KNOB;I00341P;PANTONE 430C;DST.NO:002;DPT.NO:12269;(I00341P-SWITCH_KNOB-REVB.DWG)		
8	1.0000	PC	G52-00500-09353		KNOB;SWITCH;UB-S;DST.NO:005;DPT.NO:09353;(UB-S_SWKNOB-REVE.DWG)		
9	2.0000	PC	G52-00500-11000		KNOB;SWITCH;UB-S;430C;DST.NO:005;DPT.NO:11000;(UB-S_SWKNOB-REVE.DWG)		
10	4.0000	PC	G52-00500-12260		KNOB;SWITCH;UB-S;194C;DST.NO:005;DPT.NO:12260;(R20-UB-S_SWKNOB-REVE.DWG)		
11	2.0000	PC	G53-00000-35488		PLASTIC;P0AA8;GXPP-HG-168A150;YS8288A;SPEAKER_PANEL;REV:A		
12	1.0000	PC	G53-00000-39145		PLASTIC;P0AA8;PC (Polycarbonate) UL94-V0;SHIELD;PUNCHING AND BENDING;NATURAL;P0AA8/PROTECT_SHIELD_BOTTOM		
13	2.0000	PC	G53-00000-76586		PLASTIC;BOX;P0AA8;GXPP;INJECTION;YS8288A;NATURAL;BLACK;SPEAKER_BOX;REVB		
14	16.0000	PC	G53-00200-11127		PLASTIC;SPACER;MOULDING;BLACK;LENGTH:11MM;DST.NO:002;DPT.NO:11127;(R20-ACCESSORY-LEDSPACER-REVB.DWG)	[P0AA8:01: {16.0}]	
15	5.0000	PC	G53-14000-01976		PLASTIC;SPACER;ABS;BLACK;LENGTH:14MM2;(SWITCHSPACER14_2MM.DWG)		
16	1.0000	PC	G53-18900-02513		PLASTIC;MICROPHONE MICCLIP;P0199		
17	0.0800	M	G53-31500-15647		STRIP;SEALANT;B300;KD 5315;4mm*50mm*11m;SPEC.NO:15647		
18	1.0000	PC	G58-00000-26078		PLASTIC;P0AEE;ABS;COVER;BLACK;Plastic cover		
19	1.0000	PC	G58-00000-26079		PLASTIC;P0AEE;ABS;GASKET;BLACK;25T20B8		
20	1.0000	PC	G58-00000-35480		PLASTIC;P0AA8;ABS+PC;JINFA JH960 6300;UL94 (V-0);YS9292A;MATT SEMI;MIXER_HOUSING;BLACK;REV:A		

	Quantity	Unit	Item	Rev	Description	Reference Designators	Notes
21	1.0000	PC	G58-00000-57706		PLASTIC;P0AA8;PA + 15% GF;STAND;INJECTION;YS1285A;BLACK;REVA		
22	4.0000	PC	G58-00000-80039		PLASTIC;LOCK;P0AA8;ABS;INJECTION;YS1282A;NATURAL METAL MATERIAL:12L14 CHROMATE;BLACK;REVB		
23	1.0000	PC	G58-00000-97544		PLASTIC;P0859;PET;PLASTIC ,SKELETON L67XW26X10	[P0AA8:05: {1.0}]	
24	0.6000	MM	G58-00100-03986		GASKET;SPEAKER;RGA10EVA1_5A;10in;MATERIAL:EVA;BLACK;WIDTH:10mm;HEIGHT:1mm5;DST.NO:001;DPT.NO:03986;(LS-RGA10EVA1_5A-REVA.DWG)		
25	1.0000	PC	G58-00100-05111		PLASTIC;TWEETER BRACKET;25T20A8;DST.NO:001;DPT.NO:05111;(LS-TWEETER BRACKET-REVA.DWG)		
26	2.0000	PC	G58-00300-11128		PLASTIC;SPACER;P0062;MOULDING;BLACK;LED SPACER2;DI100 DSP110;DST.NO:003;DPT.NO:11128;(R14-DI100-LEDSPACER2-REVC.DWG)	[P0AA8:02: {2.0}]	
27	1.0000	PC	I62-00000-65693		PLASTIC;P0AA8;ABS PA757;BUTTON;INJECTION;YS1281A;428;GREY;PLAY_PA USE;A010		
28	2.0000	PC	I63-00000-45314		PLASTIC;P0000;BEHLOGO13;52.58mm;A001		
29	1.0000	PC	I63-00000-63723		PLASTIC;P0AA8;ABS;COVER;INJECTION MOULDING;BLACK;MIXER;A001		

## Plug Socket

	Quantity	Unit	Item	Rev	Description	Reference Designators	Notes
1	8.0000	PC	G64-01211-03174		PLUG;JACK STEREO 6mm3;STRAIGHT SOLDER;W/O MET.RNG.;MET.BUSH.;NO NUT/WASHER;(JY-6351G-02-250)	[P0AA8:02: {8.0}(X4-X9, X18-X19)]	
2	4.0000	PC	G64-14152-03710		PLUG;PCB;PLUG;JACK PHONE;STRAIGHTPCB LUGS;MONO 6mm3;DUAL TIP/NO RING CONTACTS;NO NUT/WASHER;METAL BUSHING;(CHUNSHENG PJ-622HA-EP)	[P0AA8:02: {2.0}(X3, X17)] <b>[P0AA8:04: {2x1.0}(X3)]</b>	
3	1.0000	PC	G67-00000-49948		RECEPTABLE;AC;SNAP-IN;UL94V-0;15A/250VAC;AMP CONN.6mm35;COLOR:BLK;POLES:03;SS-120-1.2B-4.8		
4	1.0000	PC	G68-04004-03284		PLUG;RCA;SOCKET;RCAJACK4P/S;FEMALE;POLES:04;STRAIGHT	[P0AA8:02: {1.0}(X11)]	
5	1.0000	PC	G71-00000-03961		WAFER;V1000-14B,0.35um;LOGIC-3.3V(1P4M)	[P0AA8:01: {1.0}]	
6	2.0000	PC	G71-00000-23078		WAFER;PCB WAFER;2;ROWS:1;ANGLED;3.96 MM;JS1120	[P0AA8:04: {2x1.0}(X19)]	
7	2.0000	PC	G71-00000-50846		PIN HEAD;PIN HEADER;12;ROWS:2;STRAIGHT;2.54 MM;8MM9 HIGH	[P0AA8:01: {2.0}(X2-X3)]	
8	1.0000	PC	G71-23102-04756		WAFER;POLES:2;STRAIGHT;PITCH:2 mm;1 ROW;TYPE:A2006WV-2P	[P0AA8:03: {1.0}(X8)]	
9	1.0000	PC	G71-23106-04965		WAFER;POLES:6;STRAIGHT;PITCH:2 mm;1 ROW;TYPE:A2006WV-6P	[P0AA8:01: {1.0}(X4)]	
10	1.0000	PC	G71-23109-04748		WAFER;POLES:9;STRAIGHT;PITCH:2 mm;1 ROW;TYPE:A2006WV-9P	[P0AA8:01: {1.0}(X5)]	
11	1.0000	PC	G71-27102-04450		WAFER;POLES:2;STRAIGHT;PITCH:3.96 mm;1 ROW;JS1120-03-S1;NO MIDDLE PIN	[P0AA8:03: {1.0}(X2)]	
12	1.0000	PC	G71-27104-04415		WAFER;POLES:4;STRAIGHT;PITCH:3.96 mm;1 ROW;JS1120-04	[P0AA8:03: {1.0}(X1)]	
13	1.0000	PC	G71-43106-05998		PLUG;HOUSING;POLES:6;ROWS:1;STRAIGHT;PITCH:2mm ;TYP:A2008	[P0AA8:03: {1.0}]	
14	1.0000	PC	G71-43109-06001		PLUG;HOUSING;POLES:9;ROWS:1;STRAIGHT;PITCH:2mm ;TYP:A2008	[P0AA8:03: {1.0}]	
15	1.0000	PC	G71-47102-05844		PLUG;HOUSING;A3963H02;PITCH:3mm96;POLES:2;ROWS:1;UL94-V0;STRAIGHT	[P0AA8:05: {1.0}]	
16	1.0000	PC	G71-47103-05845		PLUG;HOUSING;A3963H02;PITCH:3mm96;POLES:3;ROWS:1;UL94-V0;STRAIGHT		
17	1.0000	PC	G71-47104-05846		PLUG;HOUSING;A3963H02;PITCH:3mm96;POLES:4;ROWS:1;UL94-V0;STRAIGHT	[P0AA8:02: {1.0}]	
18	1.0000	PC	G71-47104-06757		PLUG;HOUSING;P:3mm96;STRAIGHT;ROWS:1;POLES:4;TYP:JS4008	[P0AA8:02: {1.0}]	
19	15.0000	PC	G71-80000-05663		BD.-IN-CONN;TERMINAL;SAN-002T-0.8A	[P0AA8:03: {6.0}] <b>[P0AA8:03: {9.0}]</b>	
20	1.0000	PC	G71-83106-05650		BOARD-IN-CONNECTOR;POLES:6;ROWS:1;STRAIGHT;PITCH:2 mm	[P0AA8:03: {1.0}]	

	Quantity	Unit	Item	Rev	Description	Reference Designators	Notes
21	1.0000	PC	G71-83109-05817		BOARD-IN-CONNECTOR;POLES:9;ROWS:1;STRAIGHT;PITCH:2 mm	[P0AA8:03: {1.0}]	

### Power Supply

	Quantity	Unit	Item	Rev	Description	Reference Designators	Notes
1	1.0000	PC	J69-00000-41541		TRAFO;SWITCH MODE;P0AA8;EU 120/230;COMMON	[P0AA8:03: {1.0}(TR1)]	

### Quarz

	Quantity	Unit	Item	Rev	Description	Reference Designators	Notes
1	1.0000	PC	H65-10471-69344		QUARZ;RESONATOR;16MHz9344;HC49S FUNDAMENTAL	[P0AA8:01: {1.0}(Q2)]	
2	1.0000	PC	H65-40471-00000		QUARZ;RESONATOR;10MHz;HC49/S;FUNDAMENTAL	[P0AA8:01: {1.0}(Q1)]	

### Raw Material

	Quantity	Unit	Item	Rev	Description	Reference Designators	Notes
1	8.6400	G	E41-50088-50456		HOTMELT;ZL;HS-88A	[P0AA8:05: {0.28}]	
2	0.4000	G	E41-60000-43046		GLUE;JIU JIE 101H		
3	1.2000	G	E41-60116-04068		GLUE;SUN-DA;SILCONE;SW-116-A	[P0AA8:03: {1.2}]	
4	0.9000	G	E41-60222-01417		GLUE;BASE:EPOXY;HARDENER:POLYSULPHIDE;(BONHAN SA-222AB)		
5	0.8000	G	E41-60321-01830		GLUE;BONHAN;SA-321B		
6	0.6000	G	E41-60750-39247		GLUE;ACRYLIC RESIN;SEMI-TRANSPARENT;FU-CHENG FC-750AL		
7	4.0000	G	E41-60850-53218		GLUE;BONHAN;SA-850		
8	0.0200	G	E41-60868-01222		GLUE;HENG-DA;HD-868K		
9	6.8000	G	E41-61001-39245		GLUE;ACRYLIC ACID ESTER;AB COMPONENTS;KANGDA WD1001-2S		
10	2.0000	G	E41-61600-40414		GLUE;LEE-SEEN;1600HB		
11	8.0000	ML	E41-70737-01808		SEALANT;DOW-CORNING 737;TRANSLUCENT WHITE	[P0AA8:05: {8.0}]	

**Potentiometer**

	<b>Quantity</b>	<b>Unit</b>	<b>Item</b>	<b>Rev</b>	<b>Description</b>	<b>Reference Designators</b>	<b>Notes</b>
1	8.0000	PC	I03-61245-06649		POTENTIOMETER;50Kohm;TAPER:1B;MONO;SHAFT:30MM;W/ CC;20-100gf;NORMAL TORQUE;(NOBLE XV09213YNPV30F1B50KCC)	[P0AA8:01: {8.0}(VR9-VR12, VR16-VR19)]	
2	4.0000	PC	I03-62245-06645		POTENTIOMETER;50Kohm;TAPER:3B;STEREO;SHAFT:30MM;W/CC;20-100gf;NORMAL TORQUE;(NOBLE XV012313YGPV30F3B50KCC)	[P0AA8:01: {4.0}(VR13-VR14, VR20-VR21)]	
3	4.0000	PC	I03-63245-06652		POTENTIOMETER;50Kohm;TAPER:3B;MONO;SHAFT:30MM;W/O CC;20-100gf;NORMAL TORQUE;(NOBLE XV09213YNPV30F3B50K)	[P0AA8:01: {4.0}(VR2-VR5)]	
4	5.0000	PC	I03-64245-06647		POTENTIOMETER;50Kohm;TAPER:3B;STEREO;SHAFT:30MM;W/O CC;20-100gf;NORMAL TORQUE;(NOBLE XV012313YGPV30F3B50K)	[P0AA8:01: {5.0}(VR1, VR6-VR8, VR15)]	



## Speaker Part

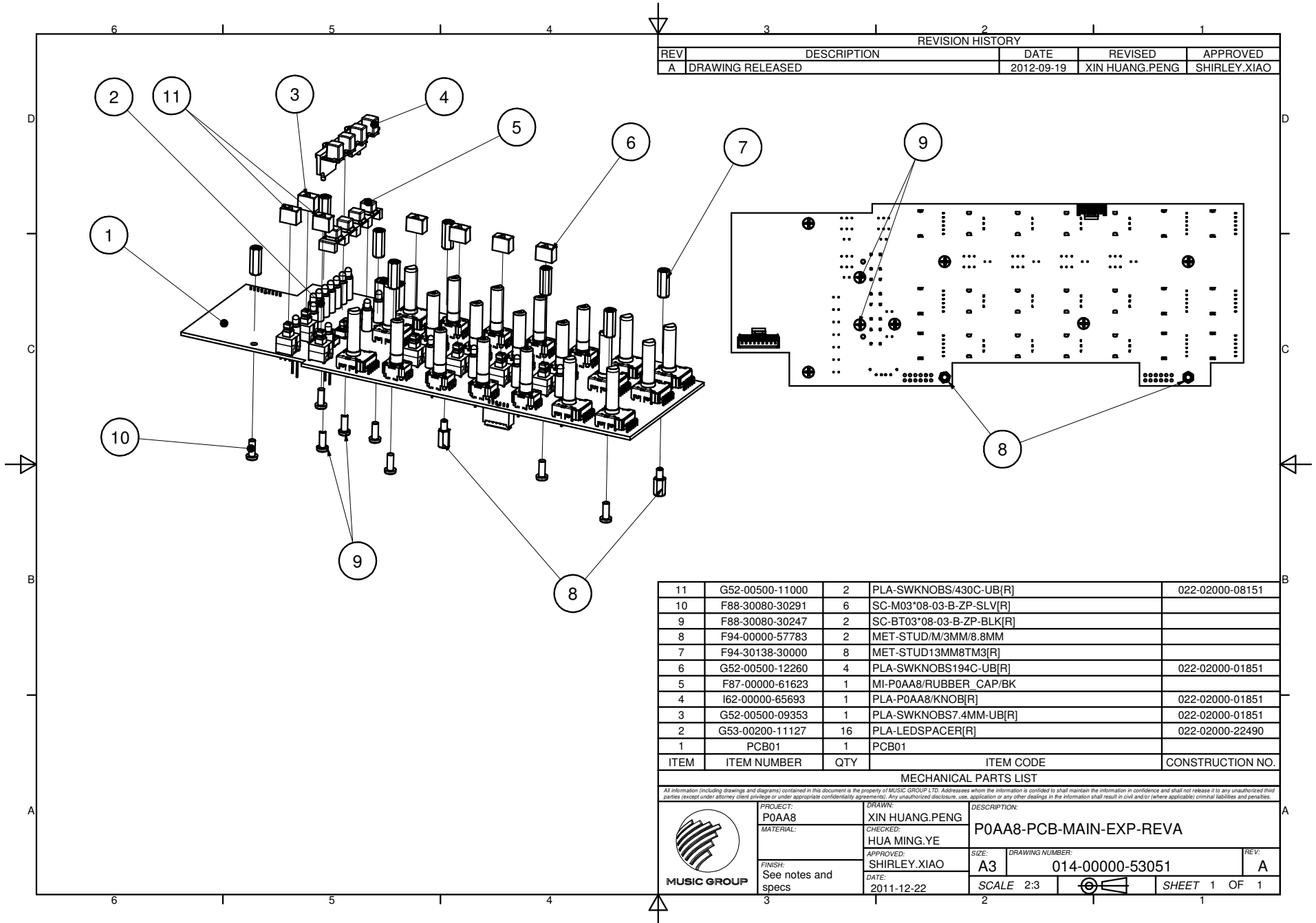
	Quantity	Unit	Item	Rev	Description	Reference Designators	Notes
1	2.0000	PC	H76-00000-27019		TWEETER;;8 OHMS;BLACK;25T80B8		
2	1.0000	PC	H77-00000-57894		WOOFER;4 OHMS;8W150A4		
3	4.0000	PC	H79-00000-27788		GASKET;TRANSPARENT;PP;LS-GA44PP0_14A		
4	1.0000	PC	H79-00000-43324		GASKET;BLACK;GA31_5EVA0_5A		
5	1.0000	PC	H79-00000-57956		VOICE COIL;3.2 OHMS;LS-VC35_5K3_2		
6	1.0000	PC	H79-00000-57957		CONE;LS-CP194P02		
7	1.0000	PC	H79-00000-57958		DUST CAP;LS-DC58P02		
8	1.0000	PC	H79-00000-69184		MAGNET;LS-DP126CT7A		
9	1.0000	G	H79-00000-82489		DOME;25T80B8;ASSY		
10	1.0000	PC	H79-00100-04877		GASKET;A207_5EVA5A;MATERIAL:EVA;BLACK;DIAMETER:207mm5;HEIGHT:5mm;DST.NO:001;DPT.NO:04877;(LS-GA207_5EVA5A-REVA.DWG)		
11	1.0000	PC	H79-00100-05108		MAGNET;MG80FE8_7A;MATERIAL:Y25;80x32x12;DST.NO:001;DPT.NO:05108;(LS-MG80FE8_7A-REVA.DWG)		
12	1.0000	PC	H79-00100-05112		TWEETER DOME;LS-TD43_6C6_6A;MATERIAL:0mm02;DIAMETER:43mm6;6mm6H;DST.NO:001;DPT.NO:05112;(LS-TD43_6C6_6A-REVA.DWG)		
13	1.0000	PC	H79-00100-05113		VOICE COIL;VC25_5K6_3A;BOBBIN MATERIAL:KSV;DIAMETER:25mm5;5.2H;DC RESISTANCE:6ohm3;BARE WIRE DIA:0mm1;DST.NO:001;DPT.NO:05113;(LS-VC25_5K6_3A-REVA.DWG)		
14	1.0000	PC	H79-00100-07970		GASKET;GA44EVA0_5A;MATERIAL:EVA;DIAMETER:44mm;DST.NO:001;DPT.NO:07970;(LS-GA44EVA0_5A-REVA.DWG)		
15	1.0000	PC	H79-00100-10023		MAGNET;MG100FE21_3A;100xD45x20HY30;DST.NO:001;DPT.NO:10023;(LS-MG100FE21_3A-REVA.DWG)		

## Switch

	Quantity	Unit	Item	Rev	Description	Reference Designators	Notes
1	11.0000	PC	I77-03422-02778		SWITCH;RADIAL;2P2T;PCB VERSION;LOCKING;NONSHORT;RAD2P	[P0AA8:01: {6.0}(SW2-SW3, SW5-SW8)] <b>[P0AA8:02: {5.0}(SW1-SW5)]</b>	
2	1.0000	PC	I77-03442-02780		SWITCH;RADIAL;4P2T;PCB VERSION;LOCKING;NONSHORT;RAD4P	[P0AA8:01: {1.0}(SW1)]	
3	1.0000	PC	I84-02211-04984		SWITCH;ROCKER;POLES:1;TOGGLES:1;LOCKING;NONSH ORT;SOLDER LUG;(CANAL:MR111-CVN-BBNW)		
4	4.0000	PC	I87-73811-12842		SWITCH;TACTILE;POLES:1;HEIGHT:7mm3;PCB VERSION;+STEM;NONLOCK;NONSHORT	[P0AA8:01: {4.0}(SW4, SW9-SW11)]	

## Transistor

	Quantity	Unit	Item	Rev	Description	Reference Designators	Notes
1	1.0000	PC	J70-12555-10803		TRANSISTOR;2N5551;PITCH:2mm54;TO92;BENT LEAD;T/R	[P0AA8:01: {1.0}(T1)]	
2	8.0000	PC	J70-15332-61703		TRANSISTOR;2SC3326B;SOT	[P0AA8:01: {2.0}(T6, T8)] <b>[P0AA8:02: {6.0}(T6, T11, T16-T18, T23)]</b>	
3	1.0000	PC	J71-40178-03203		TRANSISTOR;SPW17N80C3;TO247	[P0AA8:03: {1.0}(T6)]	
4	8.0000	PC	J73-00000-27783		TRANSISTOR;SOT;3;MBTA06;BRAND:NXP AND INFINEON	[P0AA8:02: {8.0}(T19-T22, T24-T27)]	
5	4.0000	PC	J73-02084-61703		TRANSISTOR;BC846B;SOT;SMD	[P0AA8:02: {2.0}(T4-T5)] <b>[P0AA8:03: {2.0}(T9-T10)]</b>	
6	3.0000	PC	J73-08000-61703		TRANSISTOR;MBTA06;SOT	[P0AA8:01: {2.0}(T5, T7)] <b>[P0AA8:03: {1.0}(T4)]</b>	
7	1.0000	PC	J73-08004-21703		TRANSISTOR;MBTA42;SOT	[P0AA8:03: {1.0}(T2)]	
8	15.0000	PC	J73-08005-61703		TRANSISTOR;MBTA56;SOT	[P0AA8:01: {4.0}(T4, T9-T11)] <b>[P0AA8:02: {10.0}(T1, T3, T7-T10, T12-T15)]</b> [P0AA8:03: {1.0}(T7)]	
9	1.0000	PC	J73-16540-16603		TRANSISTOR;MMBT5401;SOT23	[P0AA8:03: {1.0}(T8)]	
10	1.0000	PC	J73-56017-01703		TRANSISTOR;MMBF170LT1;SOT	[P0AA8:02: {1.0}(T2)]	
11	3.0000	PC	J74-10011-31703		TRANSISTOR;SST113;SOT	[P0AA8:01: {2.0}(T2-T3)] <b>[P0AA8:03: {1.0}(T5)]</b>	
12	1.0000	PC	J74-11003-10703		TRANSISTOR;TIP31C;TO220	[P0AA8:03: {1.0}(T1)]	



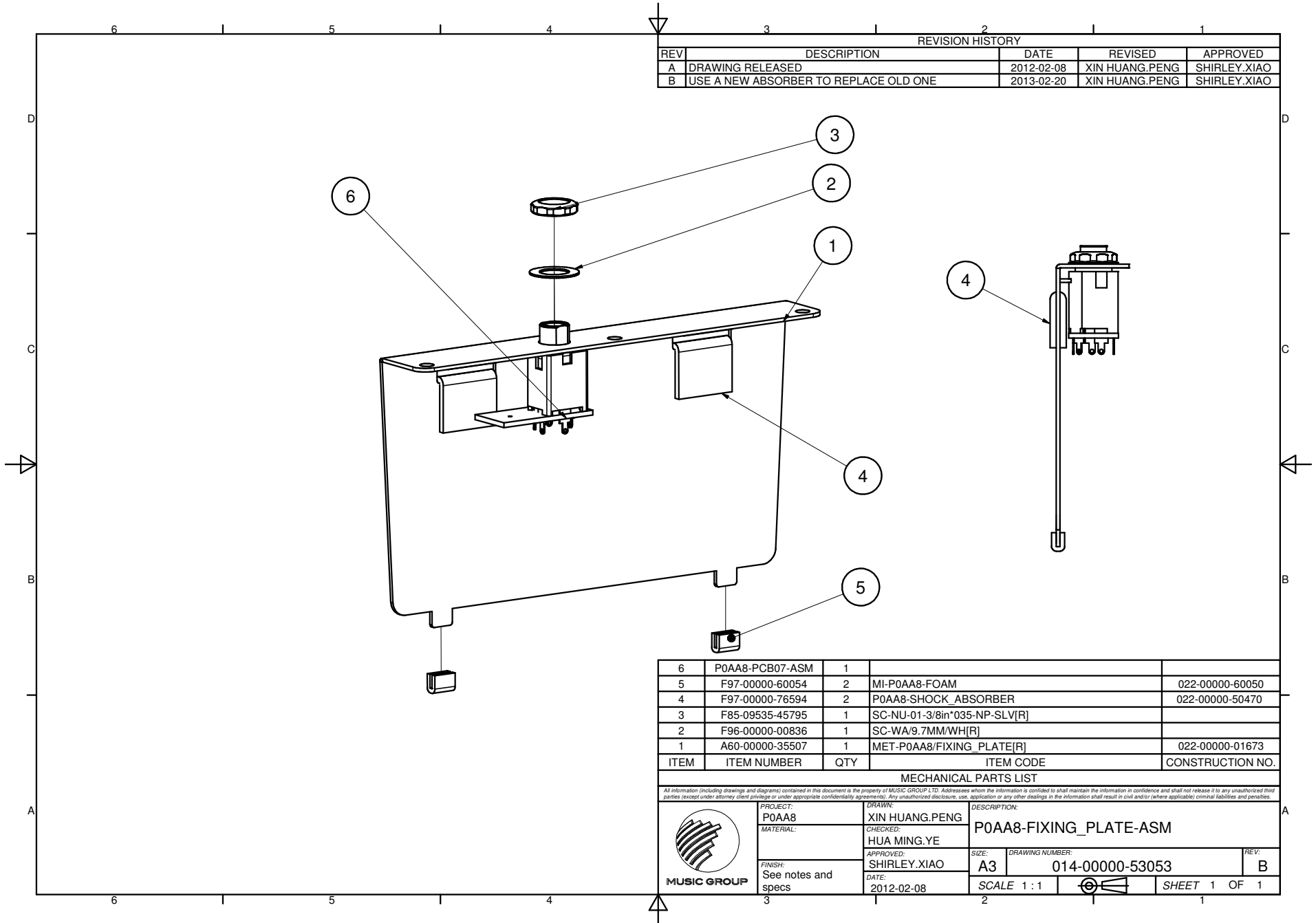
REVISION HISTORY				
REV	DESCRIPTION	DATE	REVISED	APPROVED
A	DRAWING RELEASED	2012-09-19	XIN HUANG.PENG	SHIRLEY.XIAO

ITEM	ITEM NUMBER	QTY	ITEM CODE	CONSTRUCTION NO.
11	G52-00500-11000	2	PLA-SWKNOBS/430C-UB[R]	022-02000-08151
10	F88-30080-30291	6	SC-M03*08-03-B-ZP-SLV[R]	
9	F88-30080-30247	2	SC-BT03*08-03-B-ZP-BLK[R]	
8	F94-00000-57783	2	MET-STUD/M/3MM/8.8MM	
7	F94-30138-30000	8	MET-STUD13MM8TM3[R]	
6	G52-00500-12260	4	PLA-SWKNOBS194C-UB[R]	022-02000-01851
5	F87-00000-61623	1	MI-P0AA8/RUBBER_CAP/BK	
4	I62-00000-65693	1	PLA-P0AA8/KNOB[R]	022-02000-01851
3	G52-00500-09353	1	PLA-SWKNOBS7.4MM-UB[R]	022-02000-01851
2	G53-00200-11127	16	PLA-LEDSPACER[R]	022-02000-22490
1	PCB01	1	PCB01	

MECHANICAL PARTS LIST

All information (including drawings and diagrams) contained in this document is the property of MUSIC GROUP LTD. Addressees whom the information is confided to shall maintain the information in confidence and shall not release it to any unauthorized third parties (except under attorney client privilege or under appropriate confidentiality agreements). Any unauthorized disclosure, use, application or any other dealings in the information shall result in civil and/or (where applicable) criminal liabilities and penalties.

	PROJECT: P0AA8	DRAWN: XIN HUANG.PENG	DESCRIPTION: P0AA8-PCB-MAIN-EXP-REVA	
	MATERIAL:	CHECKED: HUA MING.YE	SIZE: A3	DRAWING NUMBER: 014-00000-53051
	FINISH: See notes and specs	APPROVED: SHIRLEY.XIAO	DATE: 2011-12-22	REV: A
	SCALE 2:3		SHEET 1 OF 1	



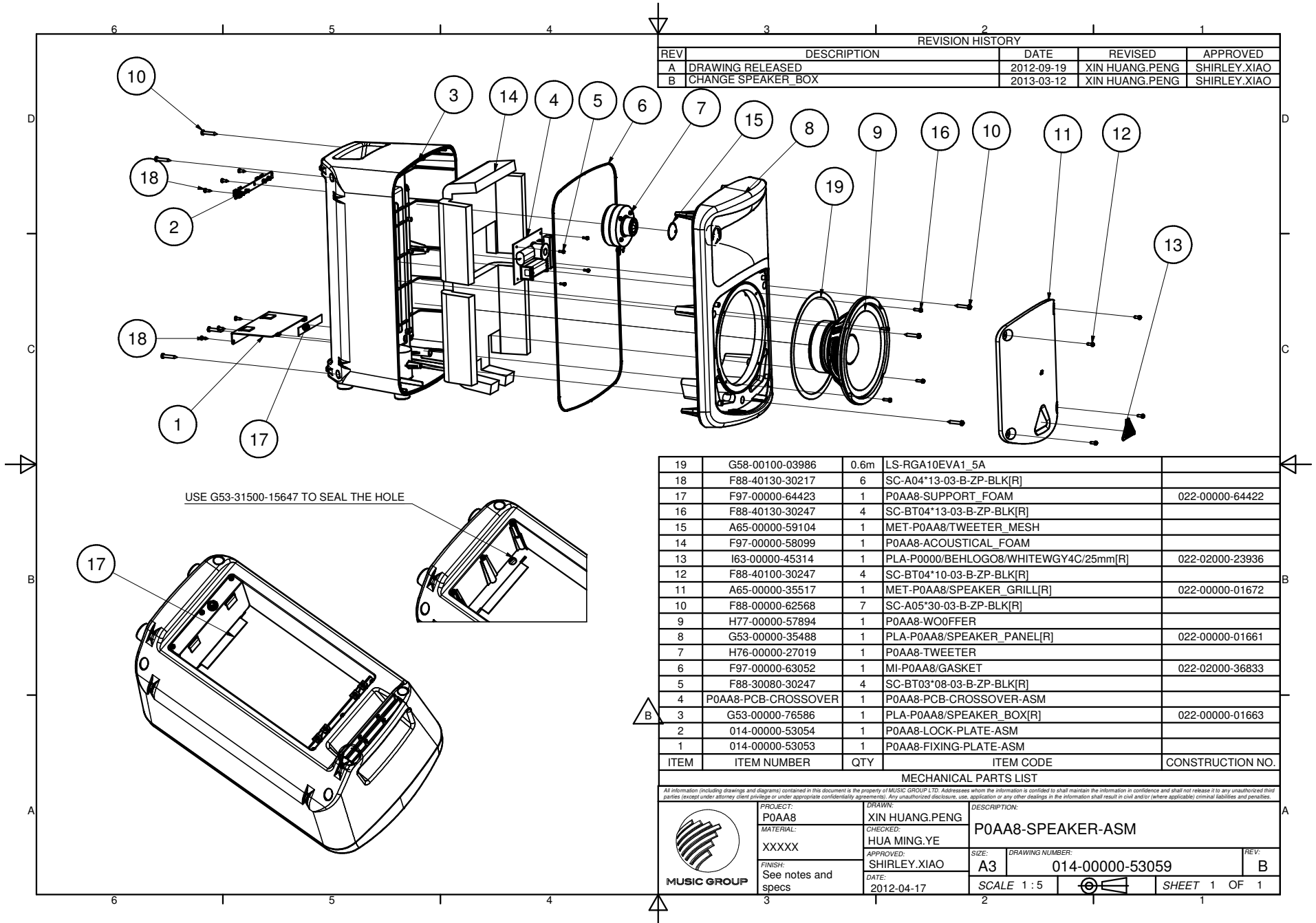
REVISION HISTORY				
REV	DESCRIPTION	DATE	REVISED	APPROVED
A	DRAWING RELEASED	2012-02-08	XIN HUANG.PENG	SHIRLEY.XIAO
B	USE A NEW ABSORBER TO REPLACE OLD ONE	2013-02-20	XIN HUANG.PENG	SHIRLEY.XIAO

ITEM	ITEM NUMBER	QTY	ITEM CODE	CONSTRUCTION NO.
6	P0AA8-PCB07-ASM	1		
5	F97-00000-60054	2	MI-P0AA8-FOAM	022-00000-60050
4	F97-00000-76594	2	P0AA8-SHOCK_ABSORBER	022-00000-50470
3	F85-09535-45795	1	SC-NU-01-3/8in*035-NP-SLV[R]	
2	F96-00000-00836	1	SC-WA/9.7MM/WH[R]	
1	A60-00000-35507	1	MET-P0AA8/FIXING_PLATE[R]	022-00000-01673

MECHANICAL PARTS LIST

All information (including drawings and diagrams) contained in this document is the property of MUSIC GROUP LTD. Addressee who the information is confined to shall maintain the information in confidence and shall not release it to any unauthorized third parties (except under attorney client privilege or under appropriate confidentiality agreements). Any unauthorized disclosure, use, application or any other dealings in the information shall result in civil and/or (where applicable) criminal liabilities and penalties.

	PROJECT: P0AA8	DRAWN: XIN HUANG.PENG	DESCRIPTION: P0AA8-FIXING_PLATE-ASM	
	MATERIAL:	CHECKED: HUA MING.YE	SIZE: A3	DRAWING NUMBER: 014-00000-53053
	FINISH: See notes and specs	APPROVED: SHIRLEY.XIAO	DATE: 2012-02-08	REV: B
	SCALE 1:1		SHEET 1 OF 1	



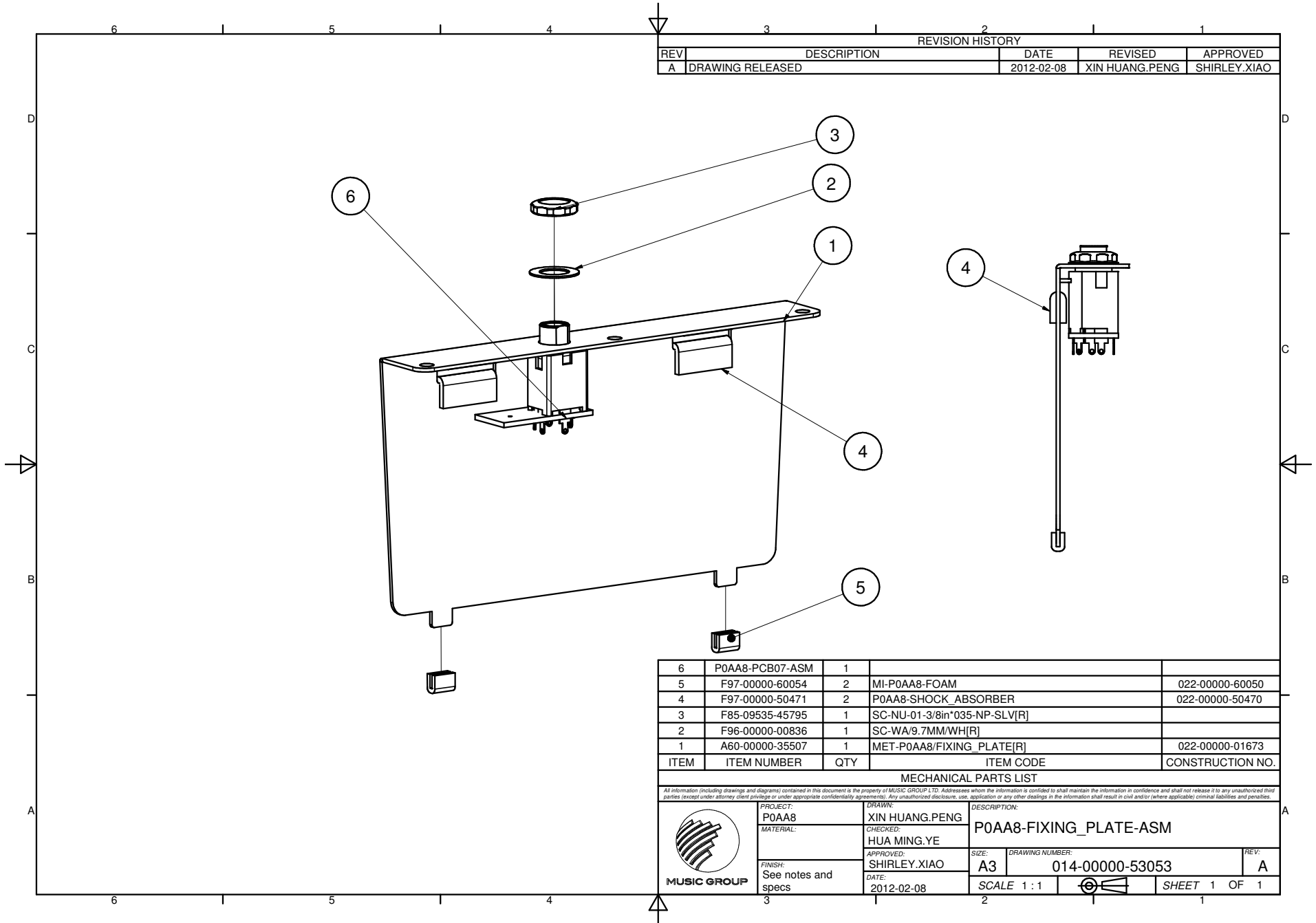
REVISION HISTORY				
REV	DESCRIPTION	DATE	REVISED	APPROVED
A	DRAWING RELEASED	2012-09-19	XIN HUANG.PENG	SHIRLEY.XIAO
B	CHANGE SPEAKER_BOX	2013-03-12	XIN HUANG.PENG	SHIRLEY.XIAO

19	G58-00100-03986	0.6m	LS-RGA10EVA1_5A	
18	F88-40130-30217	6	SC-A04*13-03-B-ZP-BLK[R]	
17	F97-00000-64423	1	P0AA8-SUPPORT_FOAM	022-00000-64422
16	F88-40130-30247	4	SC-BT04*13-03-B-ZP-BLK[R]	
15	A65-00000-59104	1	MET-P0AA8/TWEETER_MESH	
14	F97-00000-58099	1	P0AA8-ACOUSTICAL_FOAM	
13	I63-00000-45314	1	PLA-P0000/BEHLOGO8/WHITEWGY4C/25mm[R]	022-02000-23936
12	F88-40100-30247	4	SC-BT04*10-03-B-ZP-BLK[R]	
11	A65-00000-35517	1	MET-P0AA8/SPEAKER_GRILL[R]	022-00000-01672
10	F88-00000-62568	7	SC-A05*30-03-B-ZP-BLK[R]	
9	H77-00000-57894	1	P0AA8-WOOFFER	
8	G53-00000-35488	1	PLA-P0AA8/SPEAKER_PANEL[R]	022-00000-01661
7	H76-00000-27019	1	P0AA8-TWEETER	
6	F97-00000-63052	1	MI-P0AA8/GASKET	022-02000-36833
5	F88-30080-30247	4	SC-BT03*08-03-B-ZP-BLK[R]	
4	P0AA8-PCB-CROSSOVER	1	P0AA8-PCB-CROSSOVER-ASM	
3	G53-00000-76586	1	PLA-P0AA8/SPEAKER_BOX[R]	022-00000-01663
2	014-00000-53054	1	P0AA8-LOCK-PLATE-ASM	
1	014-00000-53053	1	P0AA8-FIXING-PLATE-ASM	
ITEM	ITEM NUMBER	QTY	ITEM CODE	CONSTRUCTION NO.

MECHANICAL PARTS LIST

All information (including drawings and diagrams) contained in this document is the property of MUSIC GROUP LTD. Addressees whom the information is confided to shall maintain the information in confidence and shall not release it to any unauthorized third parties (except under attorney client privilege or under appropriate confidentiality agreements). Any unauthorized disclosure, use, application or any other dealings in the information shall result in civil and/or (where applicable) criminal liabilities and penalties.

	PROJECT: P0AA8	DRAWN: XIN HUANG.PENG	DESCRIPTION: P0AA8-SPEAKER-ASM	
	MATERIAL: XXXXX	CHECKED: HUA MING.YE	SIZE: A3	DRAWING NUMBER: 014-00000-53059
	FINISH: See notes and specs	APPROVED: SHIRLEY.XIAO	DATE: 2012-04-17	REV: B
	SCALE 1:5		SHEET 1 OF 1	



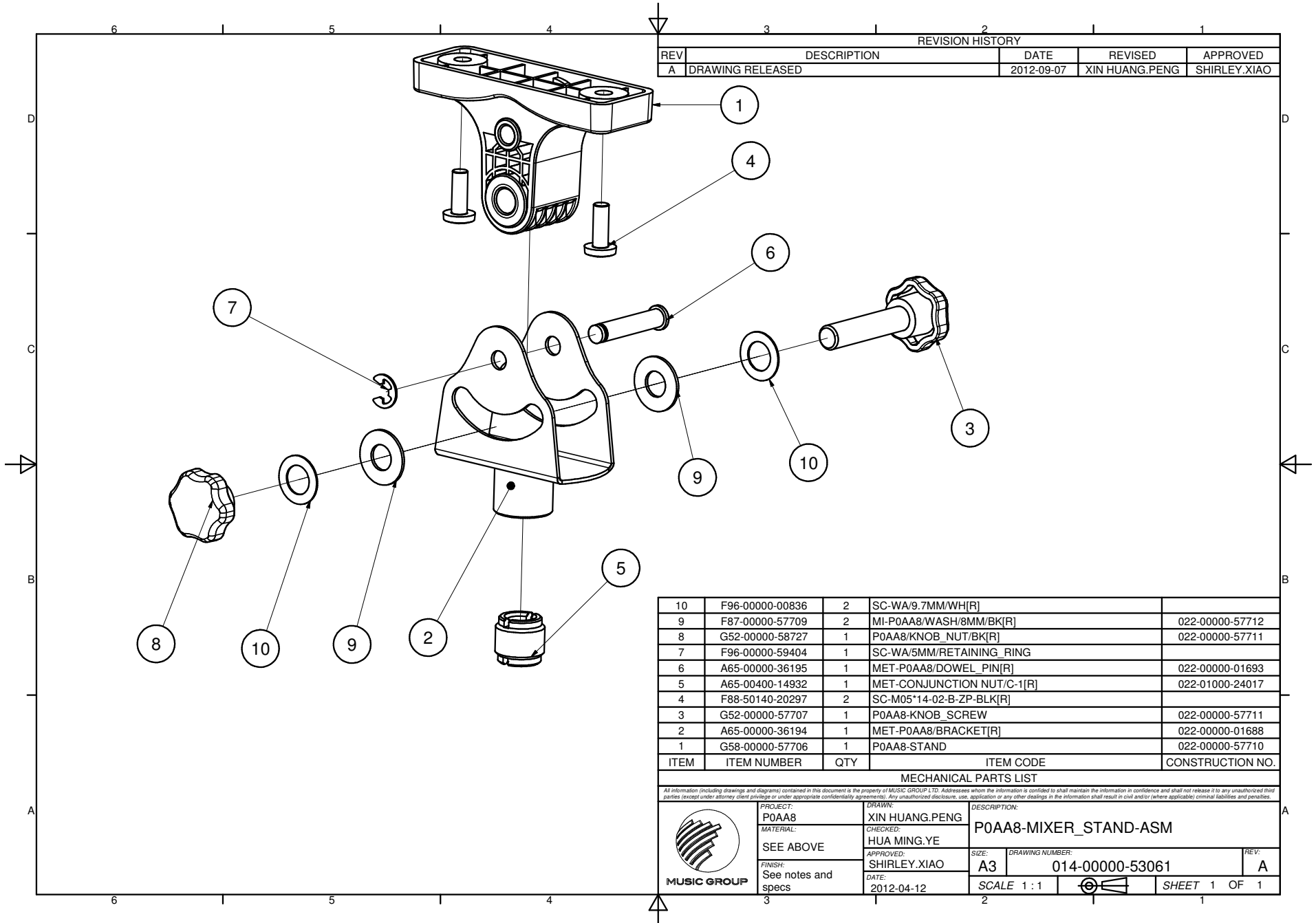
REVISION HISTORY				
REV	DESCRIPTION	DATE	REVISED	APPROVED
A	DRAWING RELEASED	2012-02-08	XIN HUANG.PENG	SHIRLEY.XIAO

6	P0AA8-PCB07-ASM	1		
5	F97-00000-60054	2	MI-P0AA8-FOAM	022-00000-60050
4	F97-00000-50471	2	P0AA8-SHOCK ABSORBER	022-00000-50470
3	F85-09535-45795	1	SC-NU-01-3/8in*035-NP-SLV[R]	
2	F96-00000-00836	1	SC-WA/9.7MM/WH[R]	
1	A60-00000-35507	1	MET-P0AA8/FIXING_PLATE[R]	022-00000-01673
ITEM	ITEM NUMBER	QTY	ITEM CODE	CONSTRUCTION NO.

MECHANICAL PARTS LIST

All information (including drawings and diagrams) contained in this document is the property of MUSIC GROUP LTD. Addressee whom the information is confided to shall maintain the information in confidence and shall not release it to any unauthorized third parties (except under attorney client privilege or under appropriate confidentiality agreements). Any unauthorized disclosure, use, application or any other dealings in the information shall result in civil and/or (where applicable) criminal liabilities and penalties.

	PROJECT: P0AA8	DRAWN: XIN HUANG.PENG	DESCRIPTION: P0AA8-FIXING_PLATE-ASM	
	MATERIAL:	CHECKED: HUA MING.YE	SIZE: A3	DRAWING NUMBER: 014-00000-53053
	FINISH: See notes and specs	APPROVED: SHIRLEY.XIAO	DATE: 2012-02-08	REV: A
	SCALE 1:1		SHEET 1 OF 1	



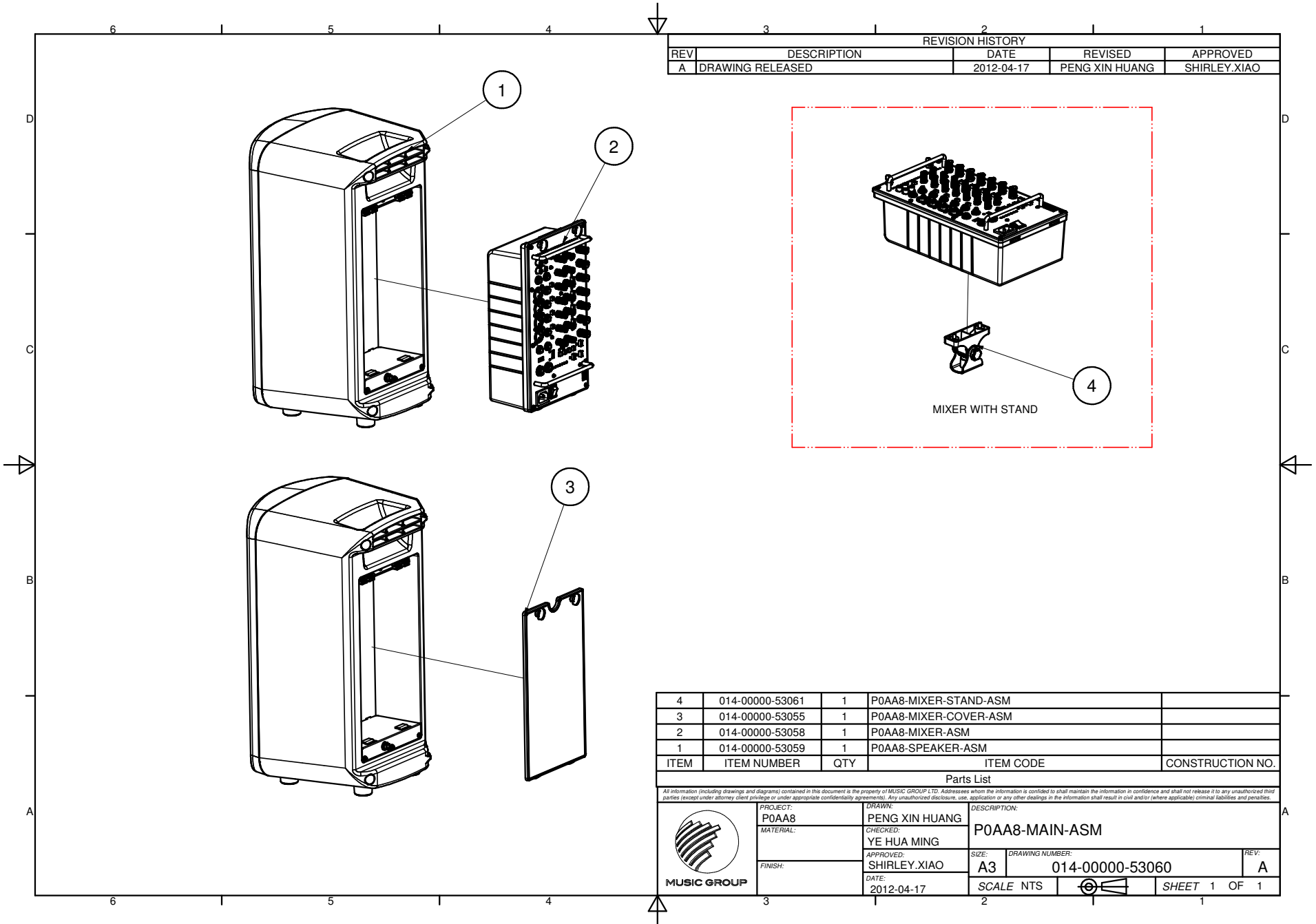
REVISION HISTORY				
REV	DESCRIPTION	DATE	REVISED	APPROVED
A	DRAWING RELEASED	2012-09-07	XIN HUANG.PENG	SHIRLEY.XIAO

ITEM	ITEM NUMBER	QTY	ITEM CODE	CONSTRUCTION NO.
10	F96-00000-00836	2	SC-WA/9.7MM/WH[R]	
9	F87-00000-57709	2	MI-P0AA8/WASH/8MM/BK[R]	022-00000-57712
8	G52-00000-58727	1	P0AA8/KNOB_NUT/BK[R]	022-00000-57711
7	F96-00000-59404	1	SC-WA/5MM/RETAINING_RING	
6	A65-00000-36195	1	MET-P0AA8/DOWEL_PIN[R]	022-00000-01693
5	A65-00400-14932	1	MET-CONJUNCTION NUT/C-1[R]	022-01000-24017
4	F88-50140-20297	2	SC-M05*14-02-B-ZP-BLK[R]	
3	G52-00000-57707	1	P0AA8-KNOB_SCREW	022-00000-57711
2	A65-00000-36194	1	MET-P0AA8/BACKET[R]	022-00000-01688
1	G58-00000-57706	1	P0AA8-STAND	022-00000-57710

MECHANICAL PARTS LIST

All information (including drawings and diagrams) contained in this document is the property of MUSIC GROUP LTD. Addressees whom the information is confided to shall maintain the information in confidence and shall not release it to any unauthorized third parties (except under attorney-client privilege or under appropriate confidentiality agreements). Any unauthorized disclosure, use, application or any other dealings in the information shall result in civil and/or (where applicable) criminal liabilities and penalties.

	PROJECT: P0AA8	DRAWN: XIN HUANG.PENG	DESCRIPTION: P0AA8-MIXER_STAND-ASM	
	MATERIAL: SEE ABOVE	CHECKED: HUA MING.YE	SIZE: A3	DRAWING NUMBER: 014-00000-53061
	FINISH: See notes and specs	APPROVED: SHIRLEY.XIAO	DATE: 2012-04-12	REV: A
	SCALE 1:1		SHEET 1 OF 1	



REVISION HISTORY				
REV	DESCRIPTION	DATE	REVISED	APPROVED
A	DRAWING RELEASED	2012-04-17	PENG XIN HUANG	SHIRLEY.XIAO

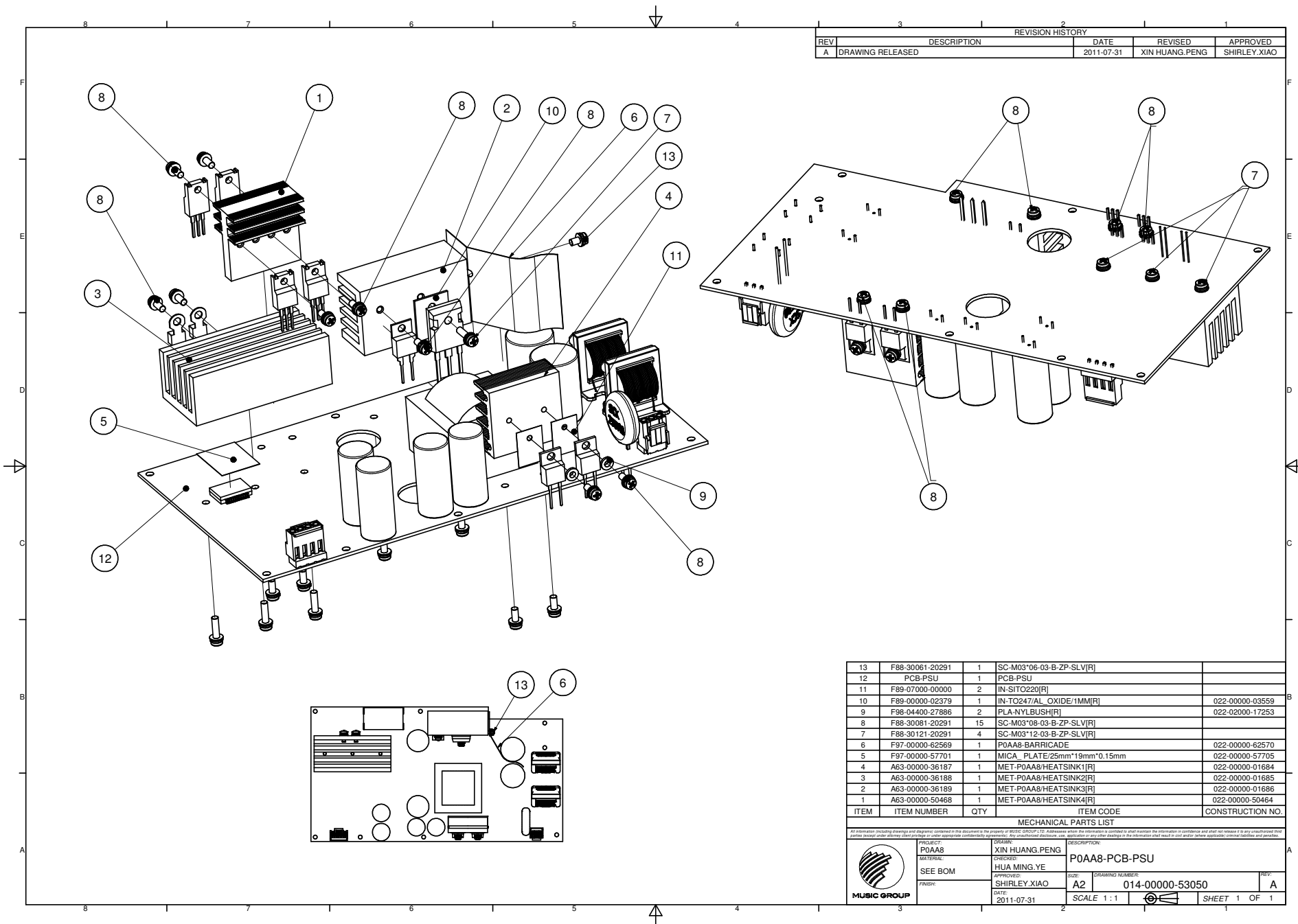
ITEM	ITEM NUMBER	QTY	ITEM CODE	CONSTRUCTION NO.
4	014-00000-53061	1	P0AA8-MIXER-STAND-ASM	
3	014-00000-53055	1	P0AA8-MIXER-COVER-ASM	
2	014-00000-53058	1	P0AA8-MIXER-ASM	
1	014-00000-53059	1	P0AA8-SPEAKER-ASM	

MIXER WITH STAND

Parts List

	PROJECT:	P0AA8	DRAWN:		PENG XIN HUANG	DESCRIPTION:		P0AA8-MAIN-ASM	
	MATERIAL:		CHECKED:		YE HUA MING	SIZE:	DRAWING NUMBER:	A3	014-00000-53060
	FINISH:		APPROVED:		SHIRLEY.XIAO	SCALE	NTS		REV: A
			DATE:	2012-04-17					SHEET 1 OF 1

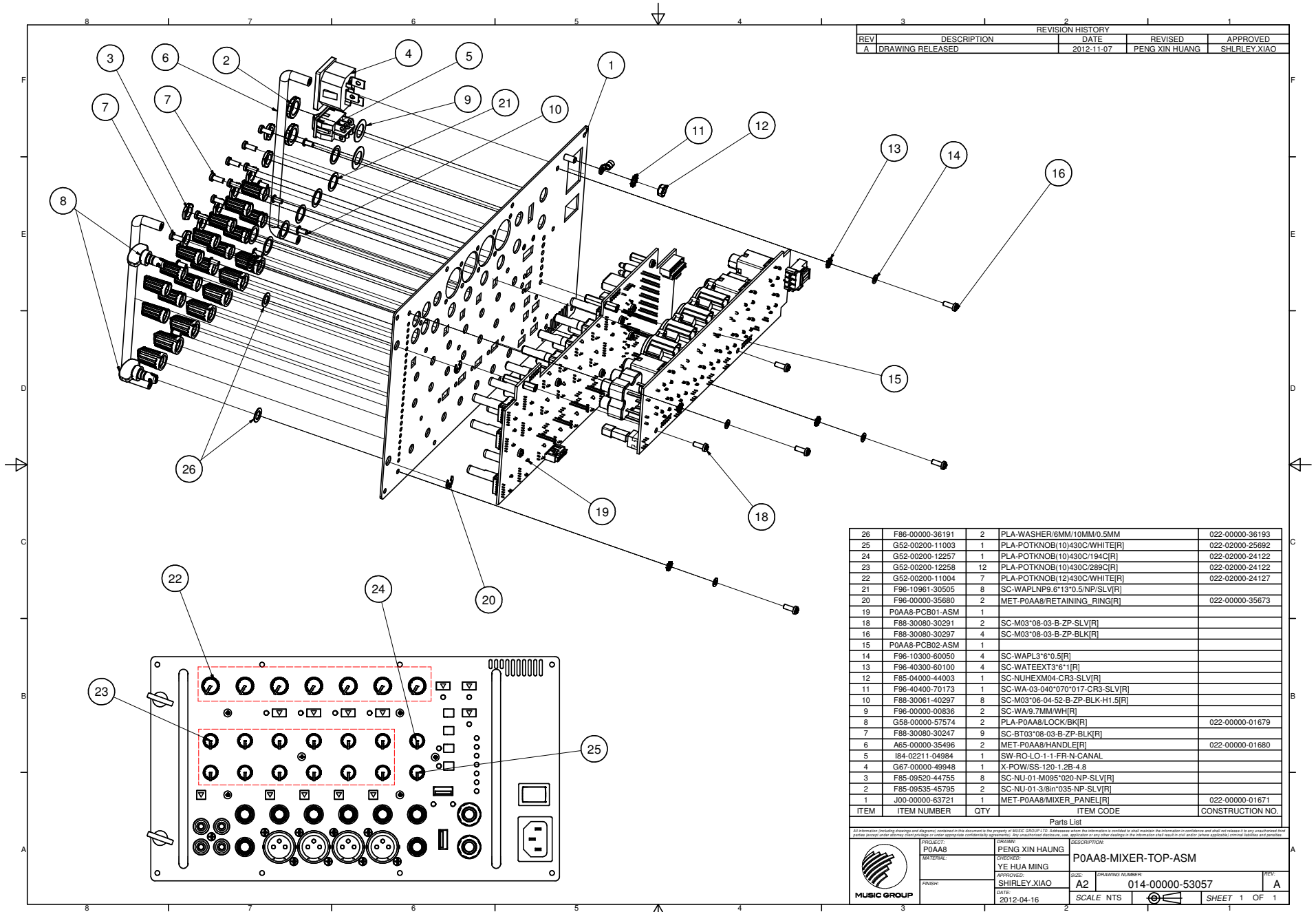




REVISION HISTORY		DATE	REVISED	APPROVED
REV	DESCRIPTION			
A	DRAWING RELEASED	2011-07-31	XIN HUANG.PENG	SHIRLEY.XIAO

ITEM	ITEM NUMBER	QTY	ITEM CODE	CONSTRUCTION NO.
13	F88-30061-20291	1	SC-M03*06-03-B-ZP-SLV[R]	
12	PCB-PSU	1	PCB-PSU	
11	F89-07000-00000	2	IN-SIT0220[R]	
10	F89-00000-02379	1	IN-TO247/AL_OXIDE/1MM[R]	022-00000-03559
9	F98-04400-27886	2	PLA-NYLBUSH[R]	022-02000-17253
8	F88-30081-20291	15	SC-M03*08-03-B-ZP-SLV[R]	
7	F88-30121-20291	4	SC-M03*12-03-B-ZP-SLV[R]	
6	F97-00000-62569	1	P0AA8-BARRICADE	022-00000-62570
5	F97-00000-57701	1	MICA_PLATE/25mm*19mm*0.15mm	022-00000-57705
4	A63-00000-36187	1	MET-P0AA8/HEATSINK1[R]	022-00000-01684
3	A63-00000-36188	1	MET-P0AA8/HEATSINK2[R]	022-00000-01685
2	A63-00000-36189	1	MET-P0AA8/HEATSINK3[R]	022-00000-01686
1	A63-00000-50468	1	MET-P0AA8/HEATSINK4[R]	022-00000-50464

MECHANICAL PARTS LIST			
PROJECT: P0AA8		DRAWN: XIN HUANG.PENG	
MATERIAL: SEE BOM		CHECKED: HUA MING.YE	
APPROVED: SHIRLEY.XIAO		SIZE: A2	DRAWING NUMBER: 014-00000-53050
DATE: 2011-07-31		REV: A	
		SCALE: 1:1	SHEET 1 OF 1

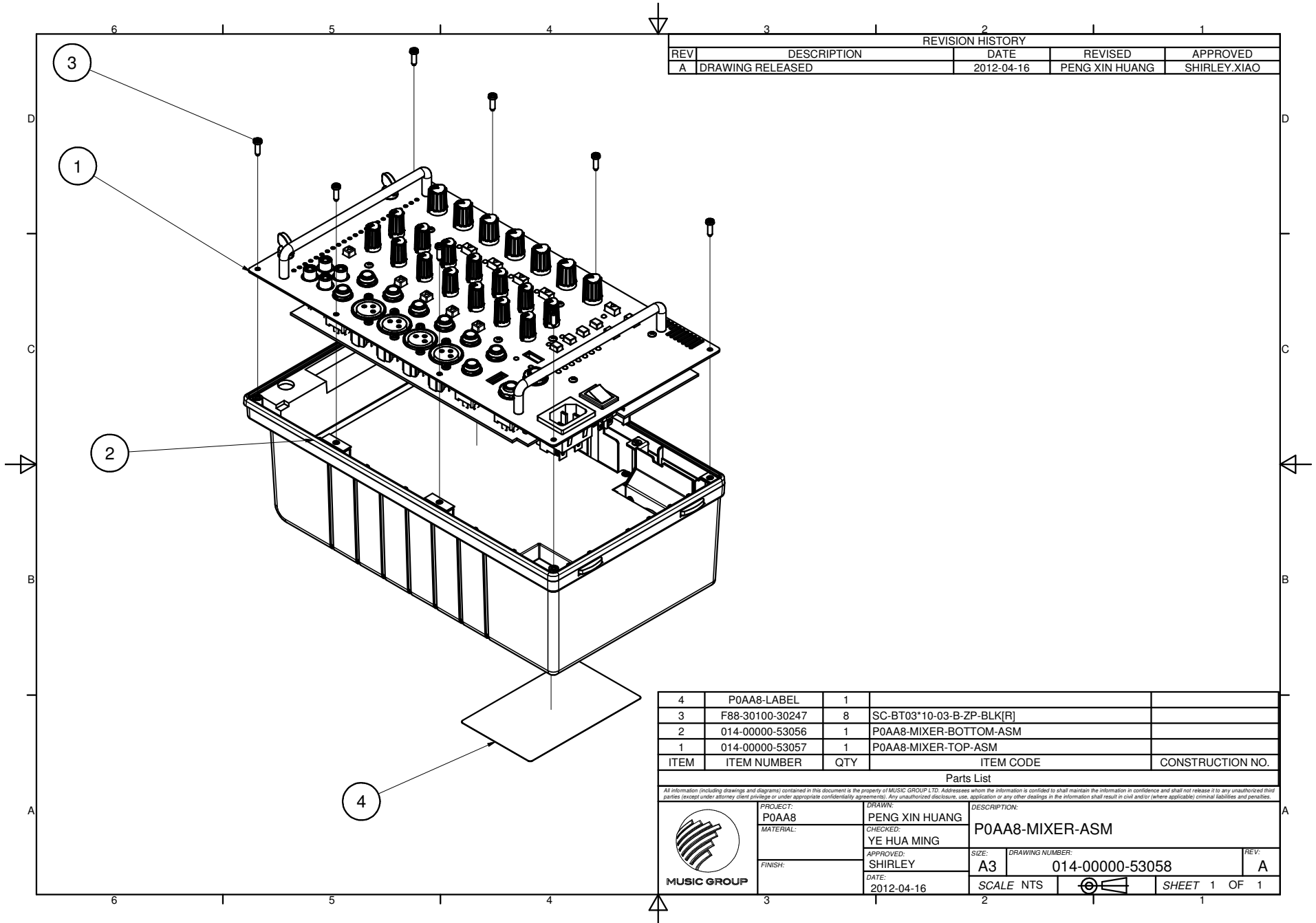


REVISION HISTORY				
REV	DESCRIPTION	DATE	REVISED	APPROVED
A	DRAWING RELEASED	2012-11-07	PENG XIN HUANG	SHIRLEY XIAO

ITEM	ITEM NUMBER	QTY	ITEM CODE	CONSTRUCTION NO.
26	F86-00000-36191	2	PLA-WASHER/6MM/10MM/0.5MM	022-00000-36193
25	G52-00200-11003	1	PLA-POTKNOB(10)430C/WHITE[R]	022-02000-25692
24	G52-00200-12257	1	PLA-POTKNOB(10)430C/194C[R]	022-02000-24122
23	G52-00200-12258	12	PLA-POTKNOB(10)430C/289C[R]	022-02000-24122
22	G52-00200-11004	7	PLA-POTKNOB(12)430C/WHITE[R]	022-02000-24127
21	F96-10961-30505	8	SC-WAPLNP9.6*13*0.5/NP/SLV[R]	
20	F96-00000-35680	2	MET-P0AA8/RETAINING_RING[R]	022-00000-35673
19	P0AA8-PCB01-ASM	1		
18	F88-30080-30291	2	SC-M03*08-03-B-ZP-SLV[R]	
16	F88-30080-30297	4	SC-M03*08-03-B-ZP-BLK[R]	
15	P0AA8-PCB02-ASM	1		
14	F96-10300-60050	4	SC-WAPL3*6*0.5[R]	
13	F96-40300-60100	4	SC-WATEEXT3*6*1[R]	
12	F85-04000-44003	1	SC-NUHEXM04-CR3-SLV[R]	
11	F96-40400-70173	1	SC-WA-03-040*070*017-CR3-SLV[R]	
10	F88-30061-40297	8	SC-M03*06-04-52-B-ZP-BLK-H1.5[R]	
9	F96-00000-00836	2	SC-WA/9.7MM/WH[R]	
8	G58-00000-57574	2	PLA-P0AA8/LOCK/BK[R]	022-00000-01679
7	F88-30080-30247	9	SC-BT03*08-03-B-ZP-BLK[R]	
6	A65-00000-35496	2	MET-P0AA8/HANDLE[R]	022-00000-01680
5	I84-02211-04984	1	SW-RO-LO-1-1-FR-N-CANAL	
4	G67-00000-49948	1	X-POW/SS-120-1.2B-4.8	
3	F85-09520-44755	8	SC-NU-01-M095*020-NP-SLV[R]	
2	F85-09535-45795	2	SC-NU-01-3/8in*035-NP-SLV[R]	
1	J00-00000-63721	1	MET-P0AA8/MIXER_PANEL[R]	022-00000-01671

Parts List

	PROJECT: P0AA8	DRAWN: PENG XIN HAUNG	DESCRIPTION: P0AA8-MIXER-TOP-ASM
	MATERIAL:	CHECKED: YE HUA MING	SIZE: A2
	APPROVED: SHIRLEY XIAO	DRAWING NUMBER: 014-00000-53057	REV: A
	DATE: 2012-04-16	SCALE: NTS	SHEET: 1 OF 1



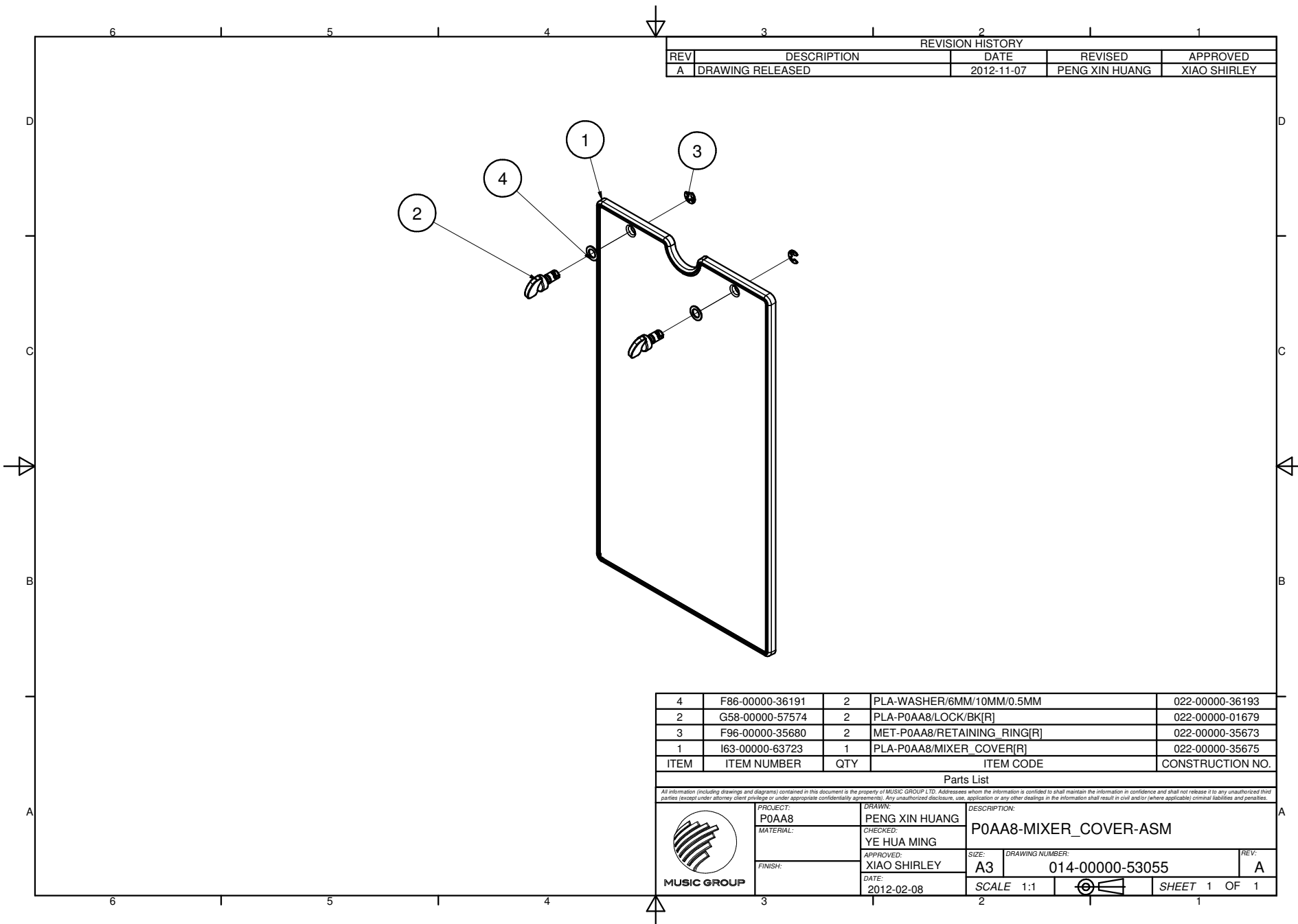
REVISION HISTORY		DATE	REVISED	APPROVED
REV	DESCRIPTION			
A	DRAWING RELEASED	2012-04-16	PENG XIN HUANG	SHIRLEY.XIAO

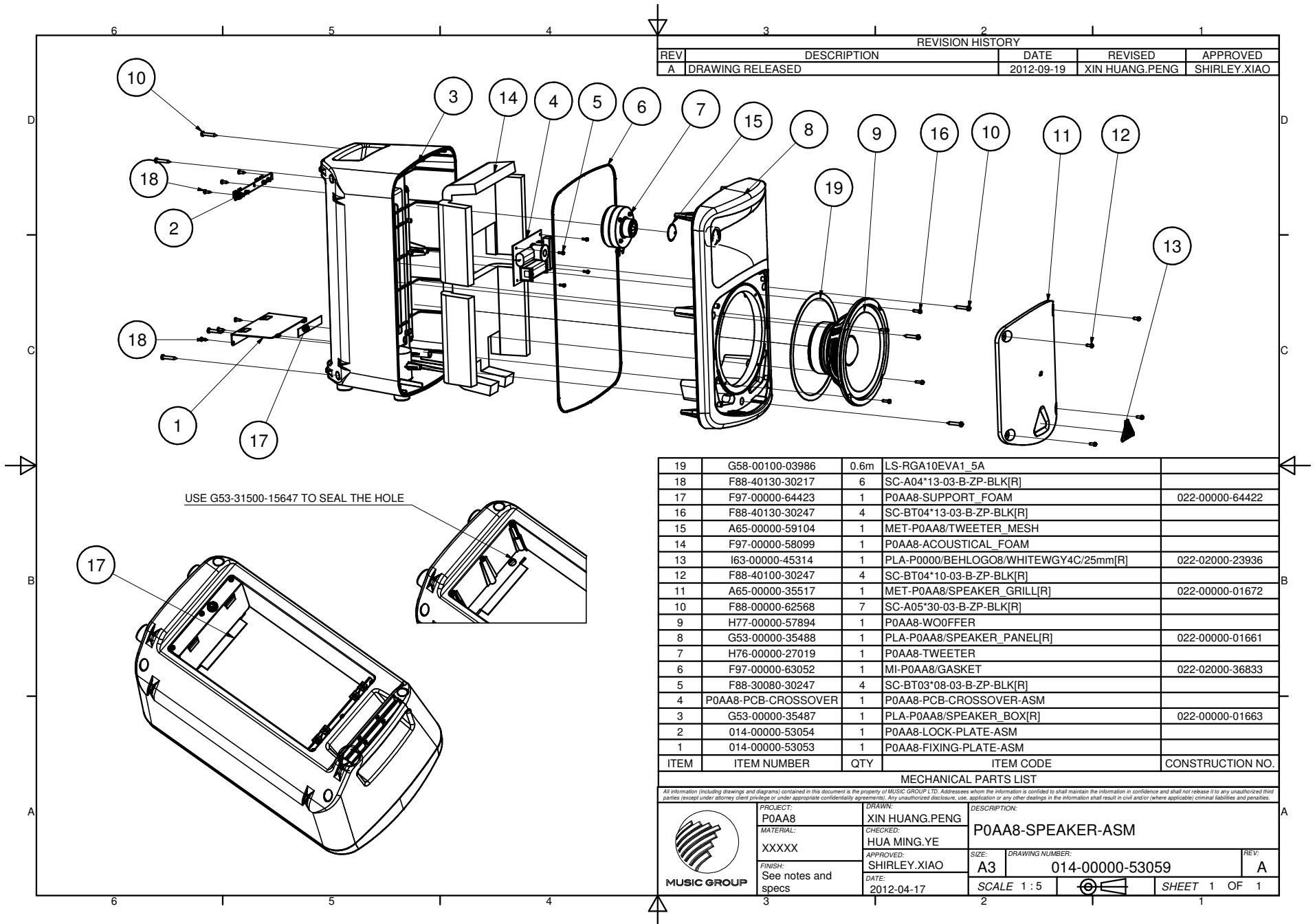
ITEM	ITEM NUMBER	QTY	ITEM CODE	CONSTRUCTION NO.
4	P0AA8-LABEL	1		
3	F88-30100-30247	8	SC-BT03*10-03-B-ZP-BLK[R]	
2	014-00000-53056	1	P0AA8-MIXER-BOTTOM-ASM	
1	014-00000-53057	1	P0AA8-MIXER-TOP-ASM	

Parts List

All information (including drawings and diagrams) contained in this document is the property of MUSIC GROUP LTD. Addresseees whom the information is confided to shall maintain the information in confidence and shall not release it to any unauthorized third parties (except under attorney client privilege or under appropriate confidentiality agreements). Any unauthorized disclosure, use, application or any other dealings in the information shall result in civil and/or (where applicable) criminal liabilities and penalties.

	PROJECT:	P0AA8	DRAWN:	PENG XIN HUANG	DESCRIPTION:	P0AA8-MIXER-ASM				
	MATERIAL:		CHECKED:	YE HUA MING		SIZE:	A3	DRAWING NUMBER:	014-00000-53058	REV:
	FINISH:		APPROVED:	SHIRLEY	DATE:	2012-04-16	SCALE	NTS	SHEET 1 OF 1	





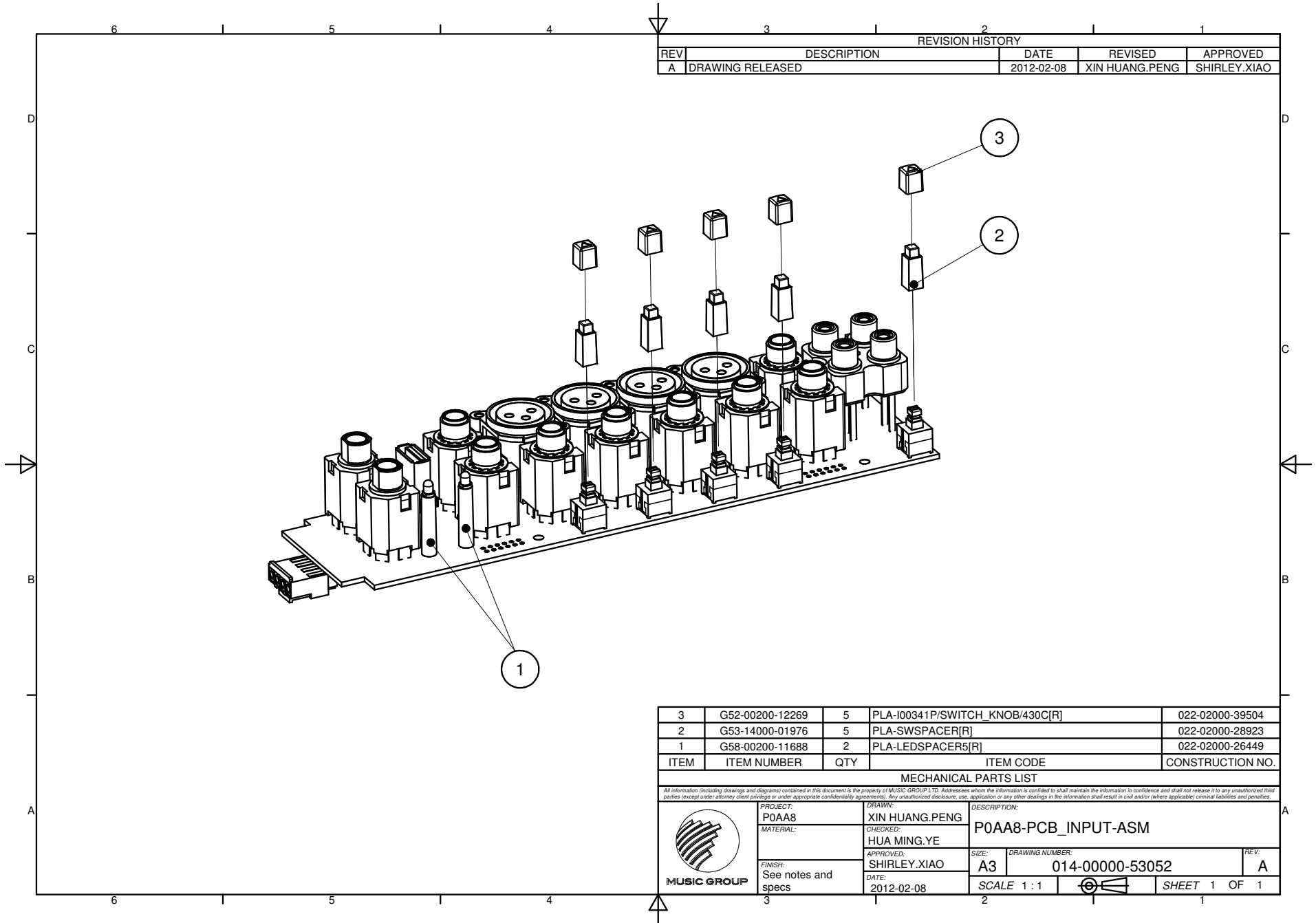
REVISION HISTORY				
REV	DESCRIPTION	DATE	REVISED	APPROVED
A	DRAWING RELEASED	2012-09-19	XIN HUANG.PENG	SHIRLEY.XIAO

ITEM	ITEM NUMBER	QTY	ITEM CODE	CONSTRUCTION NO.
19	G58-00100-03986	0.6m	LS-RGA10EVA1_5A	
18	F88-40130-30217	6	SC-A04*13-03-B-ZP-BLK[R]	
17	F97-00000-64423	1	P0AA8-SUPPORT_FOAM	022-00000-64422
16	F88-40130-30247	4	SC-BT04*13-03-B-ZP-BLK[R]	
15	A65-00000-59104	1	MET-P0AA8/TWEETER_MESH	
14	F97-00000-58099	1	P0AA8-ACOUSTICAL_FOAM	
13	I63-00000-45314	1	PLA-P0000/BEHLOGO8/WHITEWGY4C/25mm[R]	022-02000-23936
12	F88-40100-30247	4	SC-BT04*10-03-B-ZP-BLK[R]	
11	A65-00000-35517	1	MET-P0AA8/SPEAKER_GRILL[R]	022-00000-01672
10	F88-00000-62568	7	SC-A05*30-03-B-ZP-BLK[R]	
9	H77-00000-57894	1	P0AA8-WOOFFER	
8	G53-00000-35488	1	PLA-P0AA8/SPEAKER_PANEL[R]	022-00000-01661
7	H76-00000-27019	1	P0AA8-TWEETER	
6	F97-00000-63052	1	MI-P0AA8/GASKET	022-02000-36833
5	F88-30080-30247	4	SC-BT03*08-03-B-ZP-BLK[R]	
4	P0AA8-PCB-CROSSOVER	1	P0AA8-PCB-CROSSOVER-ASM	
3	G53-00000-35487	1	PLA-P0AA8/SPEAKER_BOX[R]	022-00000-01663
2	014-00000-53054	1	P0AA8-LOCK-PLATE-ASM	
1	014-00000-53053	1	P0AA8-FIXING-PLATE-ASM	

MECHANICAL PARTS LIST

All information (including drawings and diagrams) contained in this document is the property of MUSIC GROUP LTD. Addressees whom the information is confided to shall maintain the information in confidence and shall not release it to any unauthorized third parties (except under attorney client privilege or under appropriate confidentiality agreements). Any unauthorized disclosure, use, application or any other dealings in the information shall result in civil and/or (where applicable) criminal liabilities and penalties.

	PROJECT: P0AA8	DRAWN: XIN HUANG.PENG	DESCRIPTION: P0AA8-SPEAKER-ASM	
	MATERIAL: XXXXX	CHECKED: HUA MING.YE	SIZE: A3	DRAWING NUMBER: 014-00000-53059
	FINISH: See notes and specs	APPROVED: SHIRLEY.XIAO	DATE: 2012-04-17	REV: A
	SCALE 1:5		SHEET 1 OF 1	



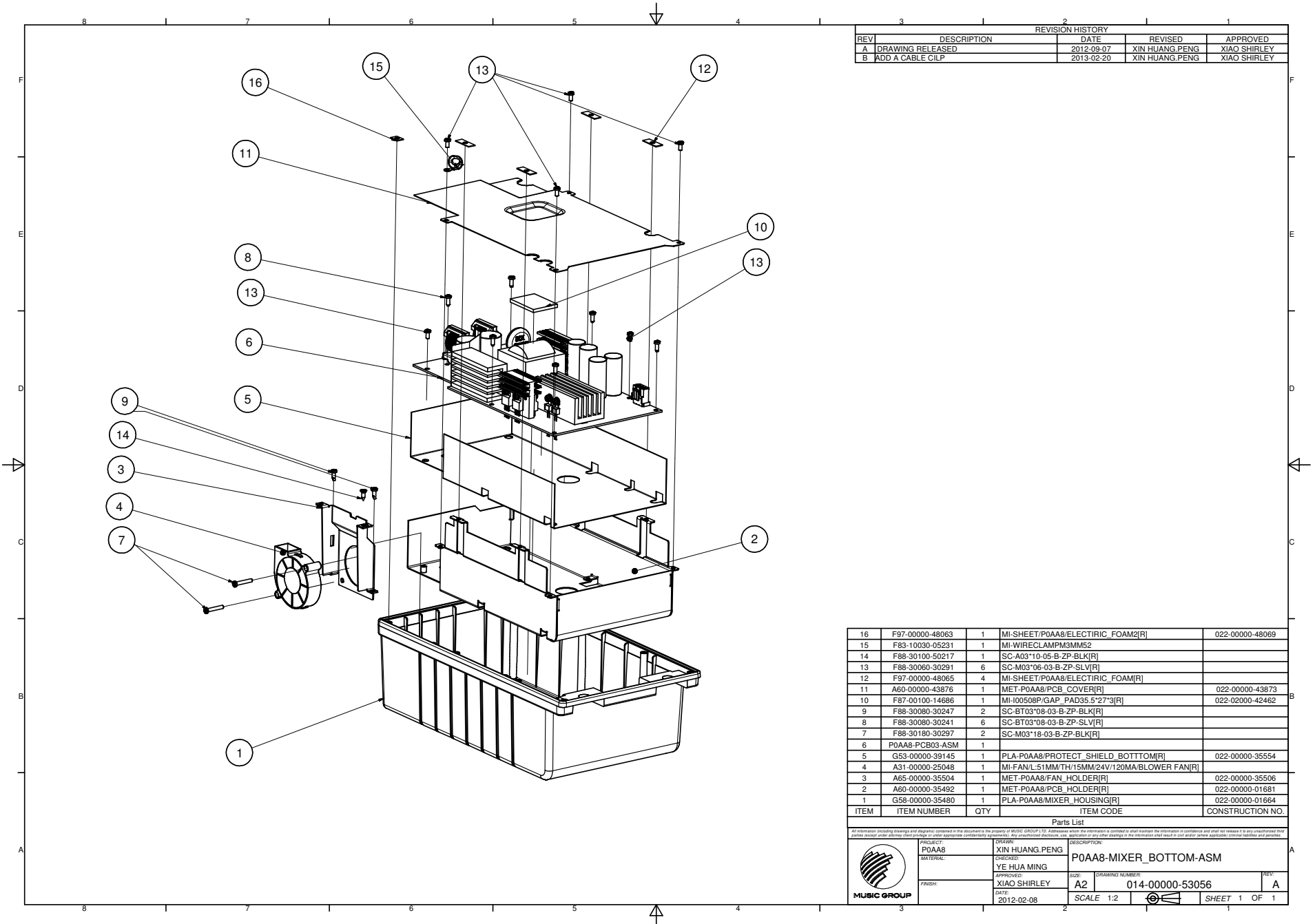
REVISION HISTORY				
REV	DESCRIPTION	DATE	REVISED	APPROVED
A	DRAWING RELEASED	2012-02-08	XIN HUANG.PENG	SHIRLEY.XIAO

3	G52-00200-12269	5	PLA-I00341P/SWITCH_KNOB/430C[R]	022-02000-39504
2	G53-14000-01976	5	PLA-SWSPACER[R]	022-02000-28923
1	G58-00200-11688	2	PLA-LEDSPACERS[R]	022-02000-26449
ITEM	ITEM NUMBER	QTY	ITEM CODE	CONSTRUCTION NO.

MECHANICAL PARTS LIST

All information (including drawings and diagrams) contained in this document is the property of MUSIC GROUP LTD. Addressees whom the information is confided to shall maintain the information in confidence and shall not release it to any unauthorized third parties (except under attorney client privilege or under appropriate confidentiality agreements). Any unauthorized disclosure, use, application or any other dealings in the information shall result in civil and/or (where applicable) criminal liabilities and penalties.

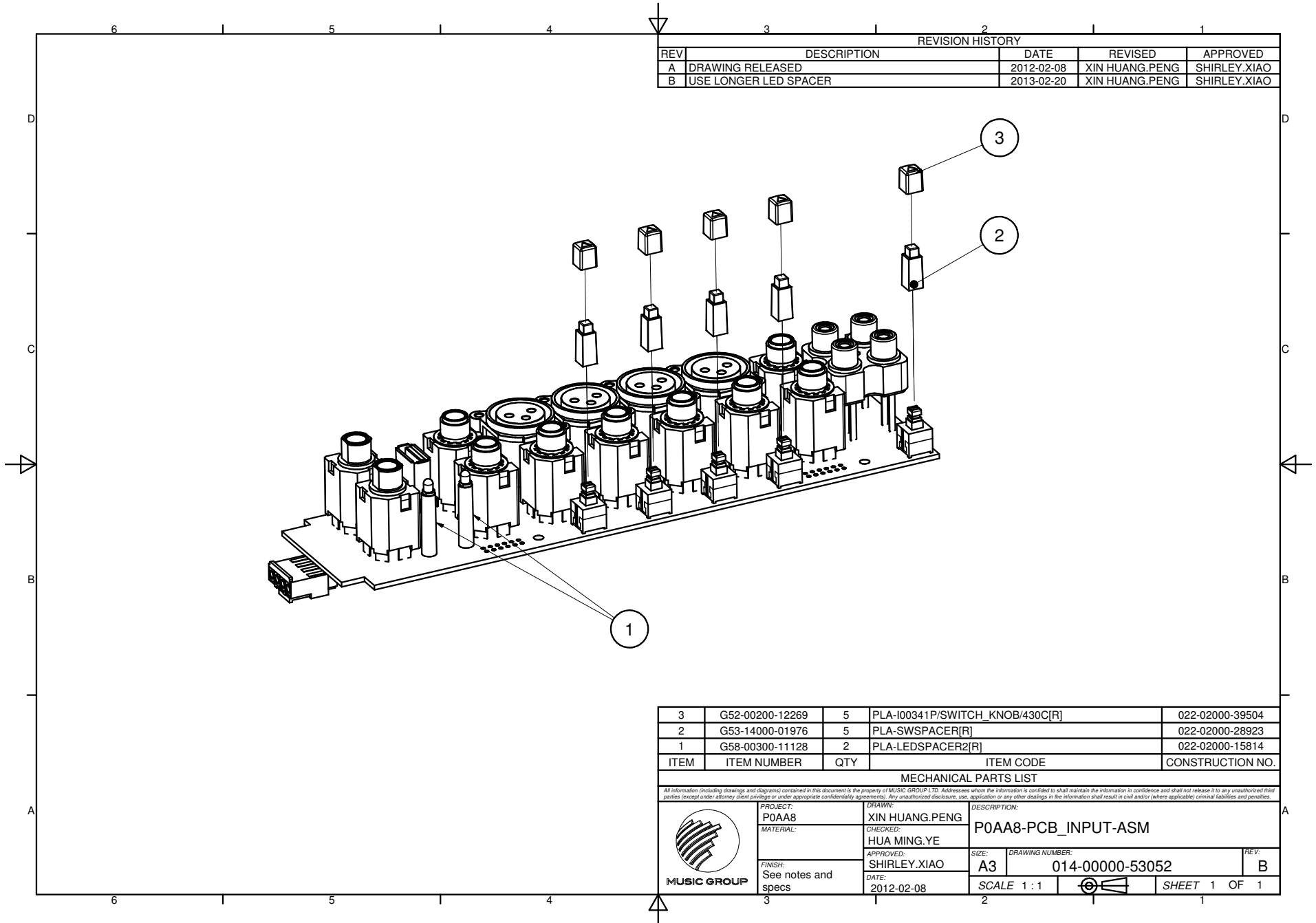
	PROJECT: P0AA8	DRAWN: XIN HUANG.PENG	DESCRIPTION: P0AA8-PCB_INPUT-ASM	
	MATERIAL:	CHECKED: HUA MING.YE	SIZE: A3	DRAWING NUMBER: 014-00000-53052
	FINISH: See notes and specs	APPROVED: SHIRLEY.XIAO	DATE: 2012-02-08	REV: A
			SCALE 1:1	SHEET 1 OF 1



REVISION HISTORY				
REV	DESCRIPTION	DATE	REVISED	APPROVED
A	DRAWING RELEASED	2012-09-07	XIN HUANG.PENG	XIAO SHIRLEY
B	ADD A CABLE CLIP	2013-02-20	XIN HUANG.PENG	XIAO SHIRLEY

ITEM	ITEM NUMBER	QTY	ITEM CODE	CONSTRUCTION NO.
16	F97-00000-48063	1	MI-SHEET/P0AA8/ELECTRIC_FOAM2[R]	022-00000-48069
15	F83-10030-05231	1	MI-WIRECLAMP3MM52	
14	F88-30100-50217	1	SC-A03*10-05-B-ZP-BLK[R]	
13	F88-30060-30291	6	SC-M03*06-03-B-ZP-SLV[R]	
12	F97-00000-48065	4	MI-SHEET/P0AA8/ELECTRIC_FOAM[R]	
11	A60-00000-43876	1	MET-P0AA8/PCB_COVER[R]	022-00000-43873
10	F87-00100-14686	1	MI-I00508P/GAP_PAD35.5*27*3[R]	022-02000-42462
9	F88-30080-30247	2	SC-BT03*08-03-B-ZP-BLK[R]	
8	F88-30080-30241	6	SC-BT03*08-03-B-ZP-SLV[R]	
7	F88-30180-30297	2	SC-M03*18-03-B-ZP-BLK[R]	
6	P0AA8-PCB03-ASM	1		
5	G53-00000-39145	1	PLA-P0AA8/PROTECT_SHIELD_BOTTOM[R]	022-00000-35554
4	A31-00000-25048	1	MI-FAN/L51MM/TH/15MM/24V/120MA/BLOWER_FAN[R]	
3	A65-00000-35504	1	MET-P0AA8/FAN HOLDER[R]	022-00000-35506
2	A60-00000-35492	1	MET-P0AA8/PCB HOLDER[R]	022-00000-01681
1	G58-00000-35480	1	PLA-P0AA8/MIXER_HOUSING[R]	022-00000-01664

Parts List				
PROJECT: P0AA8		DRAWN: XIN HUANG.PENG		
MATERIAL:		CHECKED: YE HUA MING		
APPROVED: XIAO SHIRLEY		SIZE: A2	DRAWING NUMBER: 014-00000-53056	
DATE: 2012-02-08		SCALE: 1:2		REV: A



REVISION HISTORY				
REV	DESCRIPTION	DATE	REVISED	APPROVED
A	DRAWING RELEASED	2012-02-08	XIN HUANG.PENG	SHIRLEY.XIAO
B	USE LONGER LED SPACER	2013-02-20	XIN HUANG.PENG	SHIRLEY.XIAO

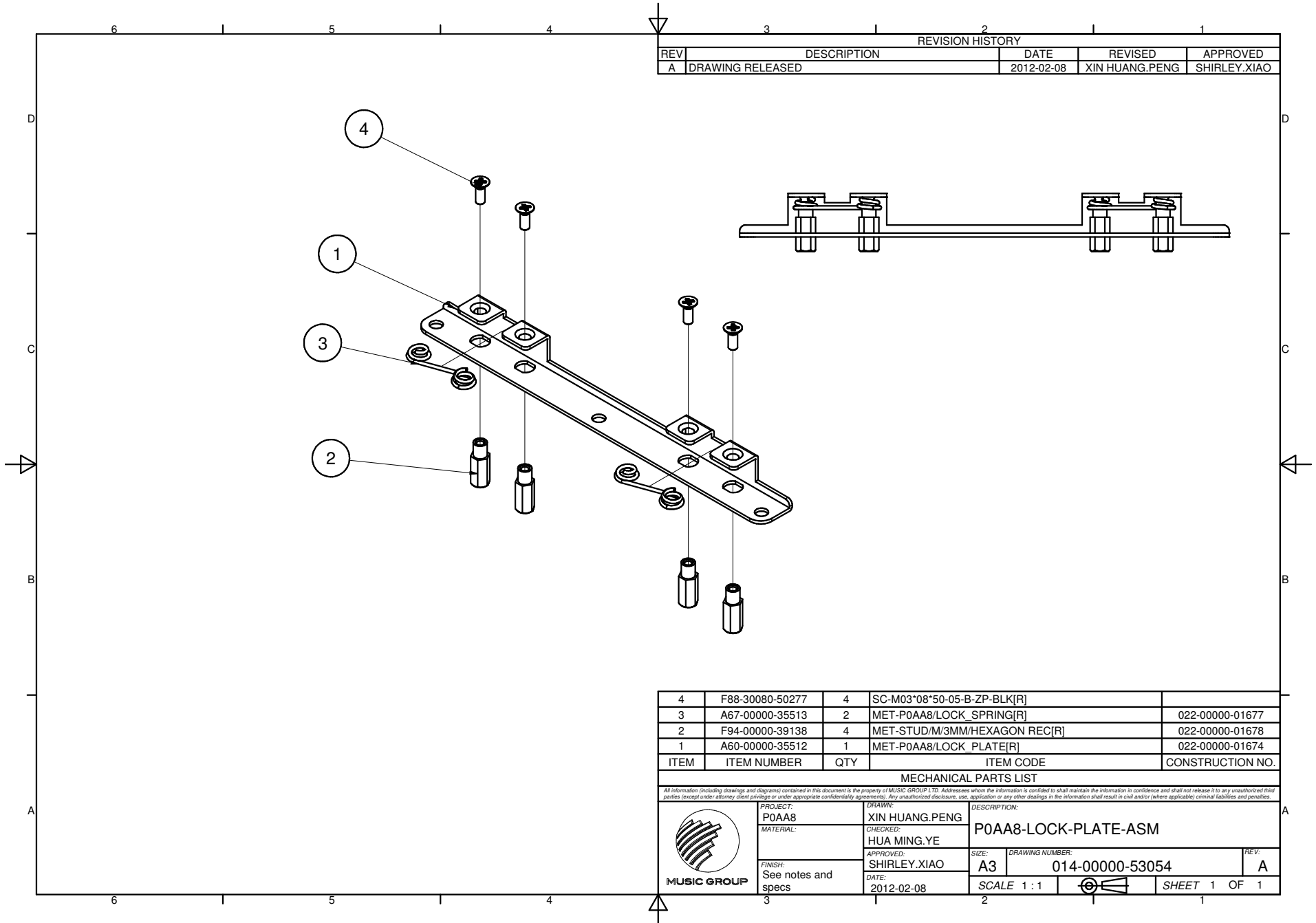
3	G52-00200-12269	5	PLA-I00341P/SWITCH_KNOB/430C[R]	022-02000-39504
2	G53-14000-01976	5	PLA-SWSPACER[R]	022-02000-28923
1	G58-00300-11128	2	PLA-LEDSPACER2[R]	022-02000-15814
ITEM	ITEM NUMBER	QTY	ITEM CODE	CONSTRUCTION NO.

MECHANICAL PARTS LIST

All information (including drawings and diagrams) contained in this document is the property of MUSIC GROUP LTD. Addressees whom the information is confided to shall maintain the information in confidence and shall not release it to any unauthorized third parties (except under attorney-client privilege or under appropriate confidentiality agreements). Any unauthorized disclosure, use, application or any other dealings in the information shall result in civil and/or (where applicable) criminal liabilities and penalties.

	PROJECT: P0AA8	DRAWN: XIN HUANG.PENG	DESCRIPTION: P0AA8-PCB_INPUT-ASM	
	MATERIAL:	CHECKED: HUA MING.YE	SIZE: A3	DRAWING NUMBER: 014-00000-53052
	FINISH: See notes and specs	APPROVED: SHIRLEY.XIAO	DATE: 2012-02-08	REV: B
			SCALE 1:1	SHEET 1 OF 1





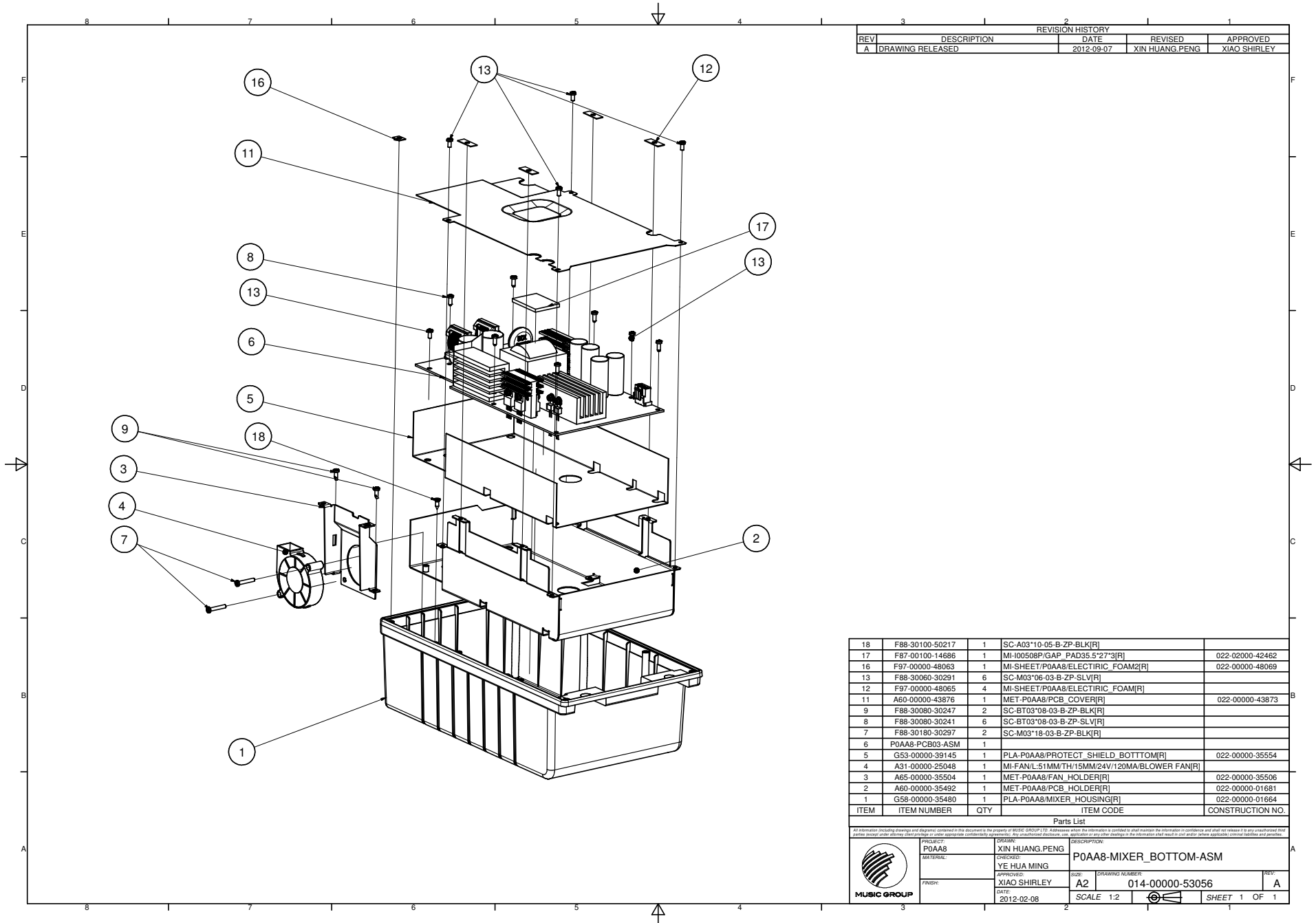
REVISION HISTORY				
REV	DESCRIPTION	DATE	REVISED	APPROVED
A	DRAWING RELEASED	2012-02-08	XIN HUANG.PENG	SHIRLEY.XIAO

4	F88-30080-50277	4	SC-M03*08*50-05-B-ZP-BLK[R]	
3	A67-00000-35513	2	MET-P0AA8/LOCK_SPRING[R]	022-00000-01677
2	F94-00000-39138	4	MET-STUD/M/3MM/HEXAGON REC[R]	022-00000-01678
1	A60-00000-35512	1	MET-P0AA8/LOCK_PLATE[R]	022-00000-01674
ITEM	ITEM NUMBER	QTY	ITEM CODE	CONSTRUCTION NO.

MECHANICAL PARTS LIST

All information (including drawings and diagrams) contained in this document is the property of MUSIC GROUP LTD. Addressee whom the information is confided to shall maintain the information in confidence and shall not release it to any unauthorized third parties (except under attorney client privilege or under appropriate confidentiality agreements). Any unauthorized disclosure, use, application or any other dealings in the information shall result in civil and/or (where applicable) criminal liabilities and penalties.

	PROJECT: P0AA8	DRAWN: XIN HUANG.PENG	DESCRIPTION: P0AA8-LOCK-PLATE-ASM	
	MATERIAL:	CHECKED: HUA MING.YE	SIZE: A3	DRAWING NUMBER: 014-00000-53054
	FINISH: See notes and specs	APPROVED: SHIRLEY.XIAO	SCALE 1:1	REV: A
		DATE: 2012-02-08		SHEET 1 OF 1



REVISION HISTORY			
REV	DESCRIPTION	DATE	APPROVED
A	DRAWING RELEASED	2012-09-07	XIN HUANG.PENG XIAO SHIRLEY

ITEM	ITEM NUMBER	QTY	ITEM CODE	CONSTRUCTION NO.
18	F88-30100-50217	1	SC-A03*10-05-B-ZP-BLK[R]	
17	F87-00100-14686	1	MI-I00508P/GAP_PAD35.5*27*3[R]	022-02000-42462
16	F97-00000-48063	1	MI-SHEET/P0AA8/ELECTRIRC_FOAM2[R]	022-00000-48069
13	F88-30060-30291	6	SC-M03*06-03-B-ZP-SLV[R]	
12	F97-00000-48065	4	MI-SHEET/P0AA8/ELECTRIRC_FOAM[R]	
11	A60-00000-43876	1	MET-P0AA8/PCB_COVER[R]	022-00000-43873
9	F88-30080-30247	2	SC-BT03*08-03-B-ZP-BLK[R]	
8	F88-30080-30241	6	SC-BT03*08-03-B-ZP-SLV[R]	
7	F88-30180-30297	2	SC-M03*18-03-B-ZP-BLK[R]	
6	P0AA8-PCB03-ASM	1		
5	G53-00000-39145	1	PLA-P0AA8/PROTECT_SHIELD_BOTTOM[R]	022-00000-35554
4	A31-00000-25048	1	MI-FAN/L51MM/TH/15MM/24V/120MA/BLOWER_FAN[R]	
3	A65-00000-35504	1	MET-P0AA8/FAN HOLDER[R]	022-00000-35506
2	A60-00000-35492	1	MET-P0AA8/PCB HOLDER[R]	022-00000-01681
1	G58-00000-35480	1	PLA-P0AA8/MIXER_HOUSING[R]	022-00000-01664

Parts List

All information including drawings and descriptions contained in this document is the property of MUSIC GROUP LTD. A disclaimer which the information is certified to exist remains the prerogative of confidence and shall not release it to any unauthorized third parties except under license, class privilege or under appropriate confidentiality agreement. Any application of any other drawings in the information that may be used without express approval is prohibited.

	PROJECT: P0AA8	DRAWN: XIN HUANG.PENG	DESCRIPTION: P0AA8-MIXER_BOTTOM-ASM
	MATERIAL:	CHECKED: YE HUA MING	REV: A
	APPROVED: XIAO SHIRLEY	SIZE: A2	DRAWING NUMBER: 014-00000-53056
	DATE: 2012-02-08	SCALE: 1:2	SHEET 1 OF 1



We Hear You