



Service Manual

Created: 04 May 2018



NX3000

Ultra-Lightweight 3000-Watt Class-D Power Amplifier with SmartSense Loudspeaker Impedance Compensation

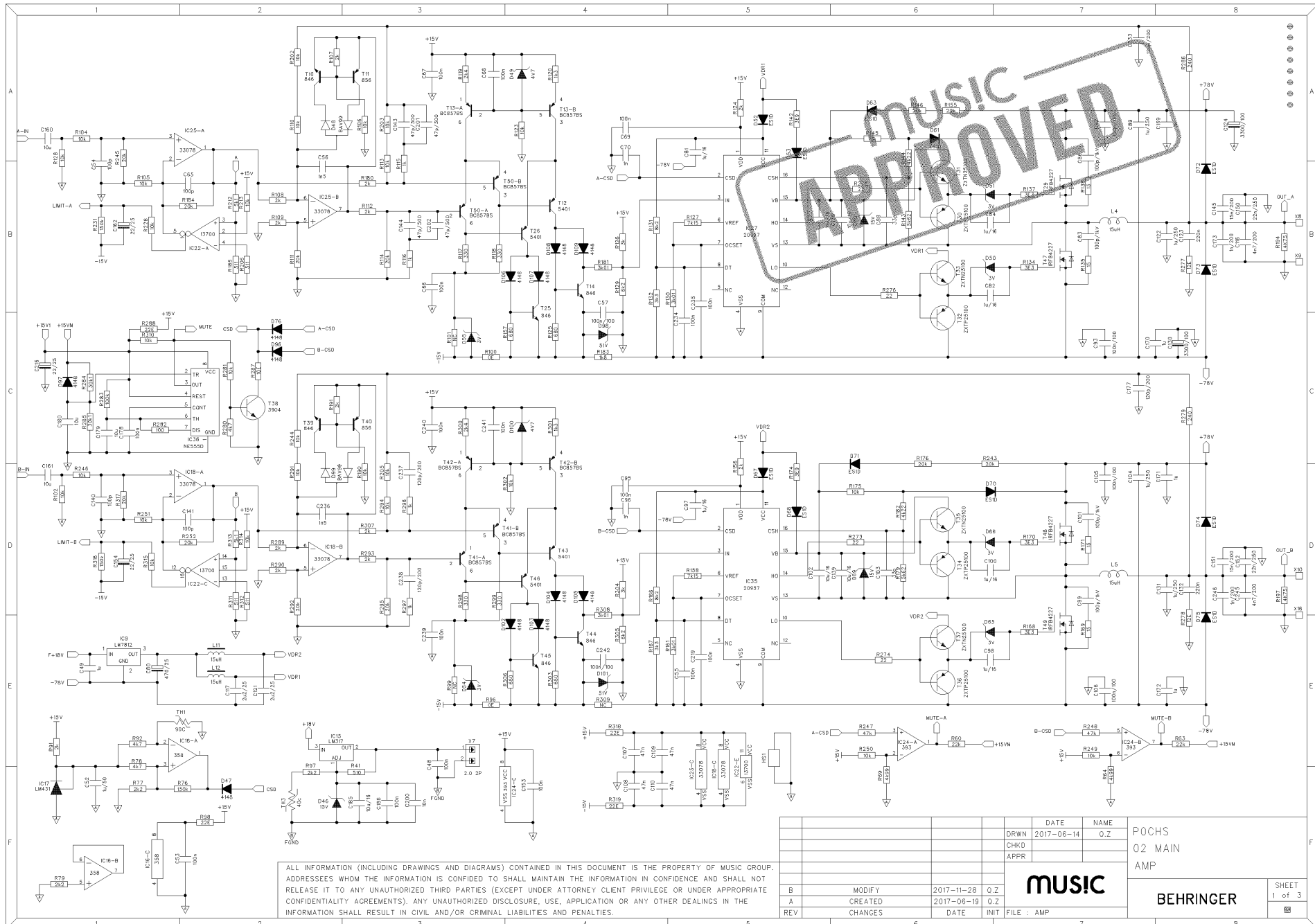
Specifications	2
PCB Schematic	3
Parts List	9
Exploded Drawing	19

© 2018 MUSIC Group IP Ltd. All third party trademarks mentioned belong to their respective owners and are not affiliated with MUSIC Group IP Ltd. All information (including drawings and diagrams) contained in this document is the property of MUSIC Group IP Ltd., its subsidiaries or content providers, and is protected by intellectual property (copyright, trademark, patents, etc) laws, international treaty provisions and other laws. Any unauthorized disclosure, use, application, reproduction, modification, lease, sale, transmission or any other dealings in the information may violate applicable laws and result in civil and/or (where applicable) criminal liabilities and penalties.

NX3000

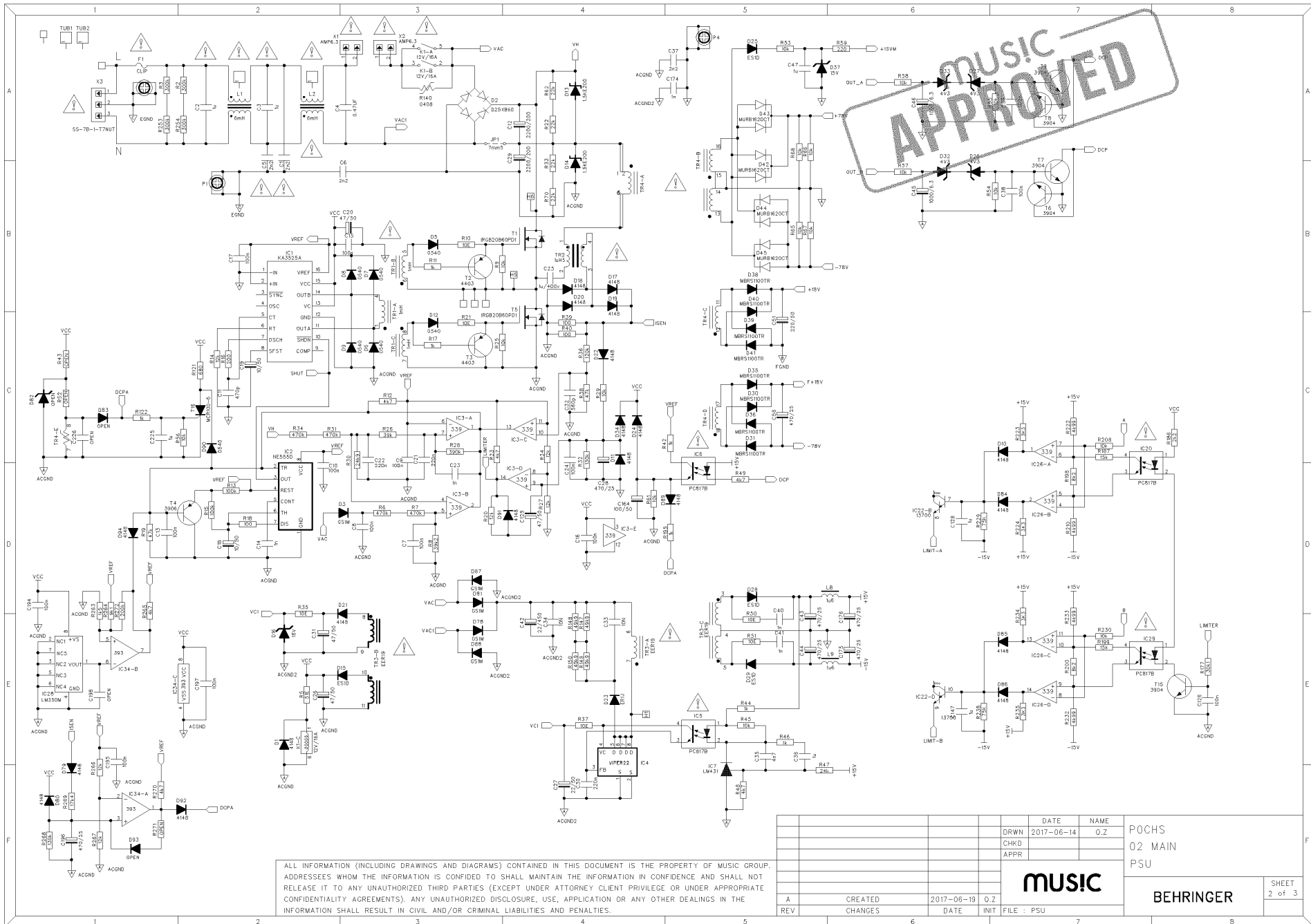
Specifications

- Delivers 2 x 1500 Watts into 2 Ohms; 2 x 900 Watts into 4 Ohms; 3000 Watts into 4 Ohms (bridge mode) and weighs less than 7.7 lbs / 3.5 kg
- Ultimate reliability through revolutionary cool-running High-Density Class-D technology with "near-zero" thermal buildup
- Ultra-efficient switch-mode power supply for noise-free audio, superior transient response and low power consumption
- Built-in stereo crossover with low-cut, high-cut and full range mode
- SmartSense Loudspeaker impedance compensation features fully linear frequency response at any speaker load impedance
- "Zero-Attack" limiters offer maximum output level with reliable overload protection
- Detented gain controls for precise level setting
- Precise 4-segment Signal and Limit LEDs to monitor performance
- XLR and 1/4" TRS combination input connectors for compatibility with any source
- Professional twist-lock speaker connectors for ultimate reliability
- Independent DC, LF and thermal overload protection on each channel automatically protects amplifier and speakers without shutting down the show
- "Back-to-front" ventilation system prevents thermal buildup for reliable operation
- 3-Year Warranty Program*
- Designed and engineered in Germany



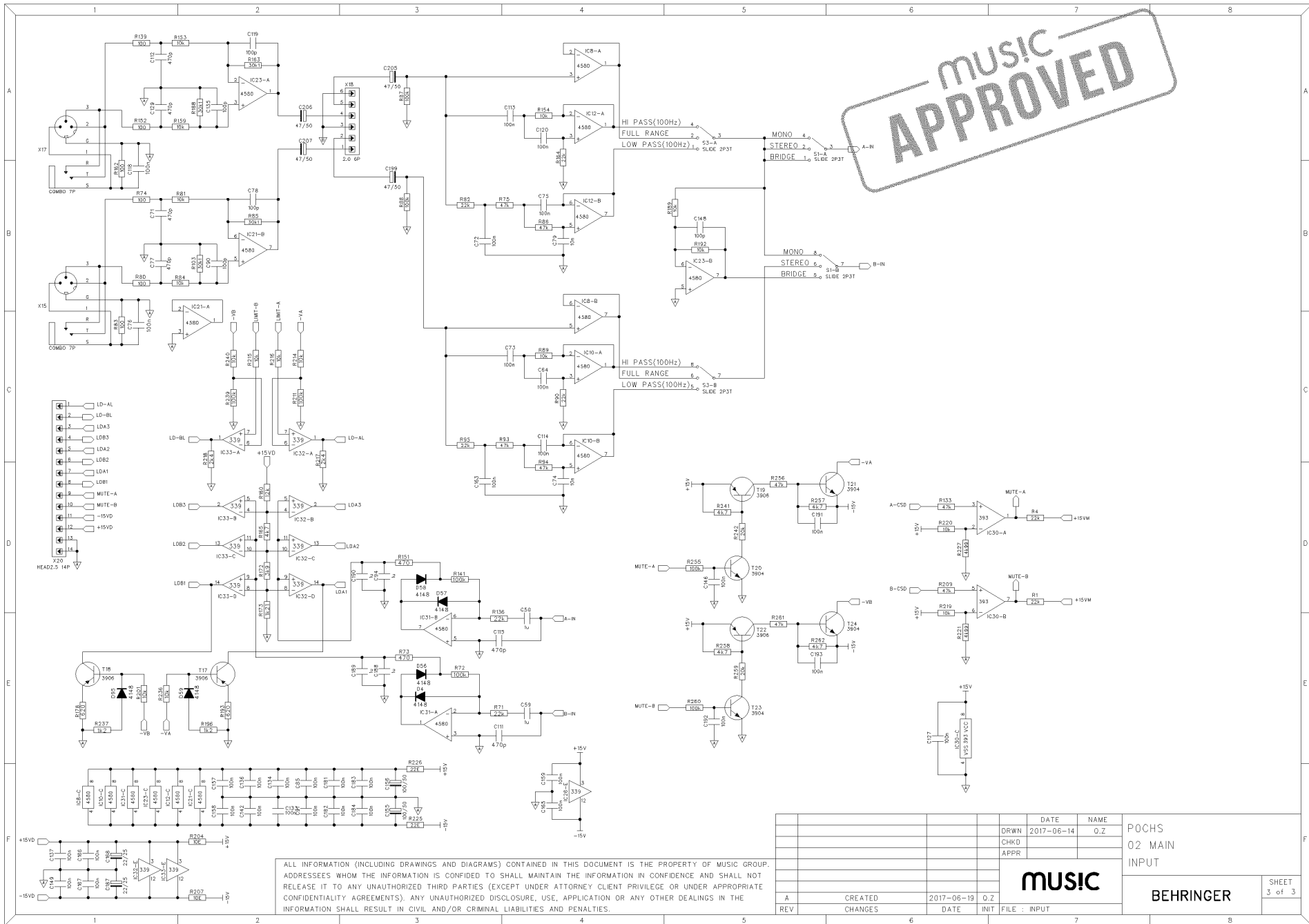
ALL INFORMATION (INCLUDING DRAWINGS AND DIAGRAMS) CONTAINED IN THIS DOCUMENT IS THE PROPERTY OF MUSIC GROUP. ADDRESSEES WHOM THE INFORMATION IS CONFIDED TO SHALL MAINTAIN THE INFORMATION IN CONFIDENCE AND SHALL NOT RELEASE IT TO ANY UNAUTHORIZED THIRD PARTIES (EXCEPT UNDER ATTORNEY CLIENT PRIVILEGE OR UNDER APPROPRIATE CONFIDENTIALITY AGREEMENTS). ANY UNAUTHORIZED DISCLOSURE, USE, APPLICATION OR ANY OTHER DEALINGS IN THE INFORMATION SHALL RESULT IN CIVIL AND/OR CRIMINAL LIABILITIES AND PENALTIES.

		DATE		NAME	
		2017-06-14		POCHS	
				O.Z	
				02 MAIN	
				AMP	
				BEHRINGER	
B	MODIFY	2017-11-28	O.Z	SHEET 1 of 3	
A	CREATED	2017-06-19	O.Z		
REV	CHANGES	DATE	INIT	FILE : AMP	



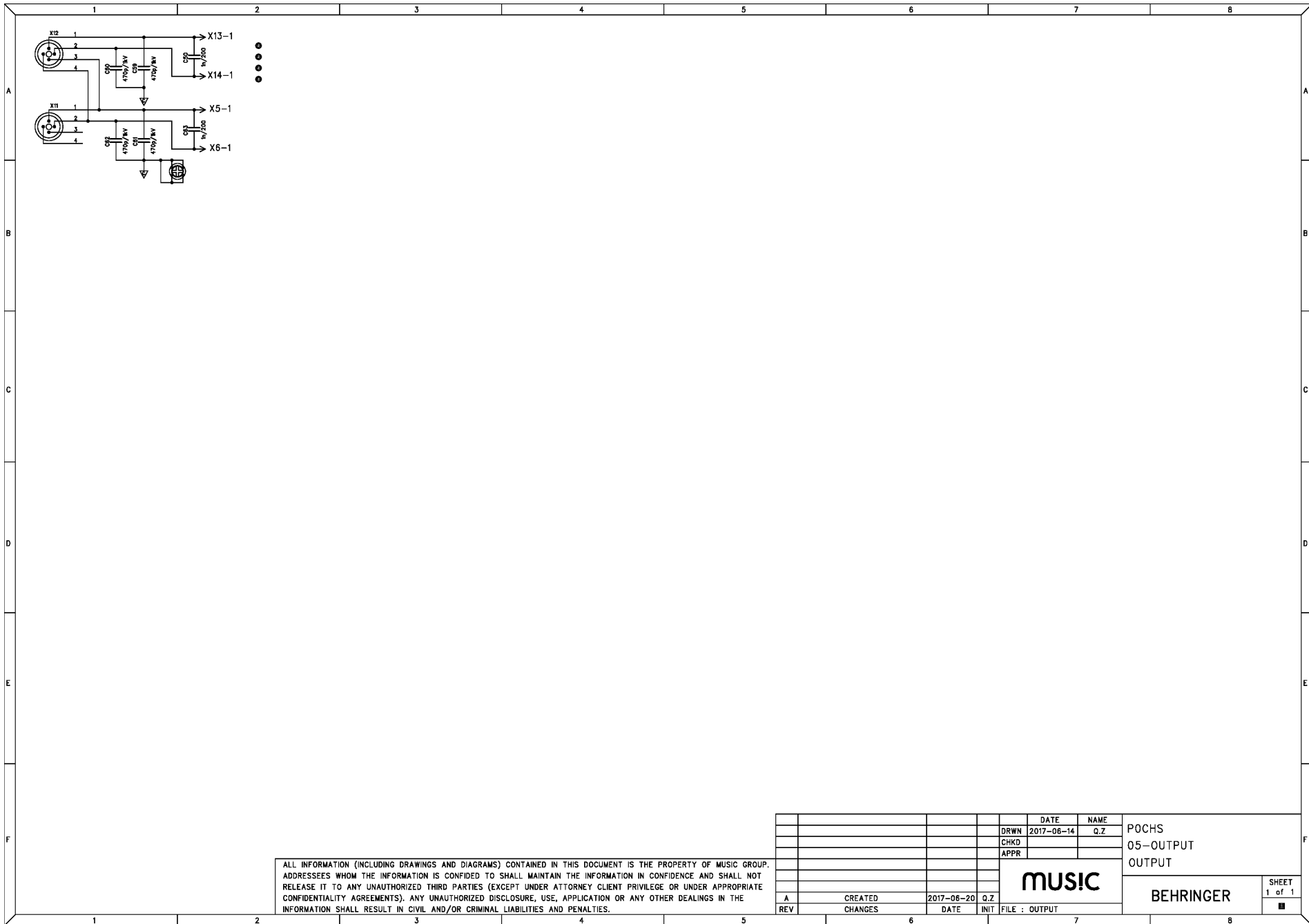
ALL INFORMATION (INCLUDING DRAWINGS AND DIAGRAMS) CONTAINED IN THIS DOCUMENT IS THE PROPERTY OF MUSIC GROUP. ADDRESSEES WHOM THE INFORMATION IS CONFIDED TO SHALL MAINTAIN THE INFORMATION IN CONFIDENCE AND SHALL NOT RELEASE IT TO ANY UNAUTHORIZED THIRD PARTIES (EXCEPT UNDER ATTORNEY CLIENT PRIVILEGE OR UNDER APPROPRIATE CONFIDENTIALITY AGREEMENTS). ANY UNAUTHORIZED DISCLOSURE, USE, APPLICATION OR ANY OTHER DEALINGS IN THE INFORMATION SHALL RESULT IN CIVIL AND/OR CRIMINAL LIABILITIES AND PENALTIES.

		DATE	NAME	POCHS 02 MAIN PSU
		2017-06-14	O.Z	
		DRWN		
		CHKD		
		APPR		
		MUSIC		
				SHEET
				2 of 3
A	CREATED	2017-06-19	O.Z	BEHRINGER
REV	CHANGES	DATE	INIT	
		FILE : PSU		



ALL INFORMATION (INCLUDING DRAWINGS AND DIAGRAMS) CONTAINED IN THIS DOCUMENT IS THE PROPERTY OF MUSIC GROUP. ADDRESSEES WHOM THE INFORMATION IS CONFIDED TO SHALL MAINTAIN THE INFORMATION IN CONFIDENCE AND SHALL NOT RELEASE IT TO ANY UNAUTHORIZED THIRD PARTIES (EXCEPT UNDER ATTORNEY CLIENT PRIVILEGE OR UNDER APPROPRIATE CONFIDENTIALITY AGREEMENTS). ANY UNAUTHORIZED DISCLOSURE, USE, APPLICATION OR ANY OTHER DEALINGS IN THE INFORMATION SHALL RESULT IN CIVIL AND/OR CRIMINAL LIABILITIES AND PENALTIES.

		DATE	NAME	POCHS 02 MAIN INPUT
		2017-06-14	O.Z	
		DRWN		BEHRINGER
		CHKD		
		APPR		
		MUSIC		SHEET 3 of 3
A	CREATED	2017-06-19	O.Z	
REV	CHANGES	DATE	INIT	FILE : INPUT



ALL INFORMATION (INCLUDING DRAWINGS AND DIAGRAMS) CONTAINED IN THIS DOCUMENT IS THE PROPERTY OF MUSIC GROUP. ADDRESSEES WHOM THE INFORMATION IS CONFIDED TO SHALL MAINTAIN THE INFORMATION IN CONFIDENCE AND SHALL NOT RELEASE IT TO ANY UNAUTHORIZED THIRD PARTIES (EXCEPT UNDER ATTORNEY CLIENT PRIVILEGE OR UNDER APPROPRIATE CONFIDENTIALITY AGREEMENTS). ANY UNAUTHORIZED DISCLOSURE, USE, APPLICATION OR ANY OTHER DEALINGS IN THE INFORMATION SHALL RESULT IN CIVIL AND/OR CRIMINAL LIABILITIES AND PENALTIES.

				DATE	NAME	POCHS 05-OUTPUT OUTPUT	SHEET 1 of 1
			DRWN	2017-06-14	Q.Z		
			CHKD				
			APPR				
A	CREATED	2017-06-20	Q.Z				
REV	CHANGES	DATE	INIT	FILE : OUTPUT			

Service Assemblies

	Quantity	Unit	S.Sku	M.Sku	Description	Reference Designators	Notes
1			Q05-CAL01-00102	A09-CAL00-00002	SPARE PART;POCAL;REV:B;PCB ASSEMBLY;PCB:1;HI;PANEL	[EXTRA SPARE]	
2			Q05-CAL04-00102	A09-CAL00-AM002	SPARE PART;POCAL;REV:B;SWITCH;PCB ASSEMBLY;PCB:4;HI	[EXTRA SPARE]	
3			Q05-CHS05-00101	A09-CHS00-19001	SPARE PART;POCHS;REV:A;OUTPUT;PCB ASSEMBLY;PCB:5;HI	[EXTRA SPARE]	
4			Q04-CHS00-07000	A09-CHS01-00001	SPARE PART;POCHS;REV:A;VERSION:EU;SUB ASSEMBLY;MAIN-PCB;EU-UK-SAA-AR	[EXTRA SPARE]	
5			Q04-CHS00-06000	A09-CHS02-00001	SPARE PART;POCHS;REV:A;VERSION:UL;SUB ASSEMBLY;MAIN-PCB;UL-BR-0D-0I	[EXTRA SPARE]	

Hi Pcb Assemblies

	Quantity	Unit	S.Sku	M.Sku	Description	Reference Designators	Notes
1	1.0000	PC	Q05-CHS02-00102	A05-CHS02-00102	PCB ASSEMBLY;POCHS;PCB:2;REV:B;HI;MAIN		

Cable

	Quantity	Unit	S.Sku	M.Sku	Description	Reference Designators	Notes
1	0.2650	M	Q74-00000-00714	A74-00000-00714	WIRE;RAW FLAT CABLE;UL2651;AWG:28;POLES;14;GRAY;PIN1:RED;PITCH:1mm27		
2	1.0000	PC	Q74-00001-59354	A74-00001-59354	CABLE;FLAT;LENGTH:250 MM;AWG:28;UL2651;PITCH:2.54 MM;POLES:14;PIN1 RED;UL2651 ,AWG28, 250MM, 14PIN 2.54MM PIN1 RED	[POCAL:1: {1.0}(X3)]	
3	1.0000	PC	Q83-00001-75172	A83-00001-75172	SHIELDED CABLE;LENGTH:380 MM;AWG:26;UL2547;PITCH:2 MM;POLES:6;PINK;UL2547,AWG26,380MM,6PIN,2.0MM	[POCAL:1: {1.0}(X7)]	
4	1.0000	PC	Q76-15222-06417	A76-15222-06417	CABLE;AC-CORD;W/POLYBAG;LENGTH:152cm;AWG:18;VERSION;UL;SPEC.NO:06417		(UL)
5	1.0000	PC	Q76-15212-03119	A76-15212-03119	CABLE;AC-CORD;W/POLYBAG;LENGTH:152cm;H05VV-F 3G 0.75MM2;VERSION;EU;SPEC.NO:03119		(EU)
6	1.0000	PC	Q76-15042-05624	A76-15042-05624	CABLE;AC-CORD;W/POLYBAG;LENGTH:150cm;H05VV-F3G0.75MM2;VERSION;UK;SPEC.NO:05624		(UK)
7	1.0000	PC	Q76-00000-13573	A76-00000-13573	CABLE;AC-CORD;3;AR;1500 MM;Plug + Connector:321+730;H05VV-F 3G0.75		(AR)
8	1.0000	PC	Q76-00000-05305	A76-00000-05305	CABLE;AC-CORD;3;BR;1500 MM;Plug + Connector:375+730;H05VV-F 3G0.75		(BR1)
9	1.0000	PC	Q76-18050-47490	A76-18050-47490	CABLE;AC-CORD;LENGTH:180cm;VERSION:SAA;PLUG:HE105 ISOLATED;SAA H05VV-F 3x0.75mm2;CONN.HP-3;SPEC.NO:47490		(SAA)
10	1.0000	PC	Q76-15032-55649	A76-15032-55649	CABLE;AC-CORD;CLASS II;W/POLYBAG;JAPAN;LENGTH:150cm;POLES:3;APPROVAL:PSE;JS155 3 + VCTF 3x0.75mm2 + V1528		(JPSH, JPMG)

Capacitor

	Quantity	Unit	S.Sku	M.Sku	Description	Reference Designators	Notes
1	2.0000	PC			CAP CER;120 pF;200 V;X7R;5 %;SMD805	[POCHS:2: {2.0}(C237-C238)]	*NOT available in DP
2	2.0000	PC			CAP CER;10 uF;25 V;X5R;10 %;SMD805	[POCHS:2: {2.0}(C70,C96)]	*NOT available in DP
3	4.0000	PC			CAP CER;47 pF;500 V;COG;5 %;SMD1206	[POCHS:2: {4.0}(C143-C144,C201-C202)]	*NOT available in DP
4	6.0000	PC			CAP CER;1uF;16V;X7R;10%;SMT805	[POCHS:2: {6.0}(C81-C82,C84,C97-C98,C100)]	*NOT available in DP
5	9.0000	PC			CAP CER;10uF;10%;16V;X7R;SMT1206	[POCHS:2: {9.0}(C87,C102,C138-C139,C160-C161,C179-C180,C185)]	*NOT available in DP
6	10.0000	PC			CAP CER;100nF;25V;X7R;10%;SMT805	[POCHS:2: {10.0}(C64,C72-C73,C75-C76,C113-C114,C118,C120,C163)]	*NOT available in DP
7	1.0000	PC			CAP CER;1uF;25V;X7R;10%;SMT1206	[POCHS:2: {1.0}(C47)]	*NOT available in DP
8	2.0000	PC			CAP CER;2.2 uF;25 V;X7R;10 %;SMD1206	[POCHS:2: {2.0}(C117,C121)]	*NOT available in DP
9	2.0000	PC			CAP CER;33pF;50V;10%;SMT805	[POCHS:2: {2.0}(C88,C103)]	*NOT available in DP
10	9.0000	PC			CAP CER;100pF;50V;COG;2%;SMD805	[POCHS:2: {9.0}(C54,C65,C78,C90,C119,C135,C140-C141,C148)]	*NOT available in DP
11	2.0000	PC			CAP CER;470pF;50V;X7R;10%;SMD805	[POCHS:2: {2.0}(C111,C115)]	*NOT available in DP
12	5.0000	PC			CAP CER;470pF;50V;COG;2%;SMD805	[POCHS:2: {5.0}(C11,C71,C77,C112,C129)]	*NOT available in DP
13	1.0000	PC			CAP CER;560pF;50V;10%;SMT805	[POCHS:2: {1.0}(C32)]	*NOT available in DP
14	2.0000	PC			CAP CER;1nF;50V;10%;SMT805	[POCHS:2: {2.0}(C14,C23)]	*NOT available in DP
15	2.0000	PC			CAP CER;1nF;50V;10%;SMT805	[POCHS:2: {2.0}(C56,C236)]	*NOT available in DP
16	1.0000	PC			CAP CER;4nF7;50V;10%;SMT805	[POCHS:2: {1.0}(C35)]	*NOT available in DP
17	3.0000	PC			CAP CER;10nF;50V;X7R;10%;SMD805	[POCHS:2: {3.0}(C74,C79,C200)]	*NOT available in DP
18	4.0000	PC			CAP CER;47nF;50V;20%;SMT805	[POCHS:2: {4.0}(C107-C110)]	*NOT available in DP
19	56.0000	PC			CAP CER;100nF;50V;X7R;10%;SMT805	[POCAL:1: {2.0}(C26-C27)]	*NOT available in DP
20	2.0000	PC			CAP CER;220nF;50V;10%;SMT805	[POCHS:2: {2.0}(C21-C22)]	*NOT available in DP
21	10.0000	PC			CAP CER;1uF;50V;X7R;10%;SMD805	[POCHS:2: {10.0}(C36,C50,C59,C94,C128,C147,C188-C190,C225)]	*NOT available in DP
22	1.0000	PC			CAP CER;220nF;50V;20%;SMT1206	[POCHS:2: {1.0}(C30)]	*NOT available in DP
23	2.0000	PC			CAP CER;1uF;50V;X7R;20%;SMT1206	[POCHS:2: {2.0}(C49,C52)]	*NOT available in DP
24	2.0000	PC			CAP CER;1nF;100V;X7R;5%;SMT1206	[POCHS:2: {2.0}(C40-C41)]	*NOT available in DP
25	6.0000	PC			CAP CER;100nF;100V;X7R;10%;SMD1206	[POCHS:2: {6.0}(C57,C92-C93,C105-C106,C242)]	*NOT available in DP
26	4.0000	PC			CAP CER;1uF;100V;X7R;10%;SMD1812	[POCHS:2: {4.0}(C169-C172)]	*NOT available in DP
27	1.0000	PC			CAP Y1;1nF;250V;20%;YSU;PITCH:10mm;PRECUT:3.3	[POCHS:2: {1.0}(C174)]	*NOT available in DP
28	4.0000	PC			CAP Y1;2nF;250V;P:10mm0;PRECUT:3MM1+/-0MM5	[POCHS:2: {4.0}(C1,C5-C6,C37)]	*NOT available in DP
29	2.0000	PC			CAP E;2.2 mF;200 V;20 %;35 x 52mm;PITCH:10 mm;SNAP-IN	[POCHS:2: {2.0}(C12,C29)]	*NOT available in DP
30	2.0000	PC	R12-23100-04988	B12-23100-04988	CAP X2;1uF;275V;P:22mm5;10%	[POCHS:2: {2.0}(C2-C3)]	
31	1.0000	PC	R12-32470-31378	B12-32470-31378	CAP X2;470nF;275V;PITCH:22mm5;CASE:11mm x 26mm;CASE:11mm x 26mm;PRE-CUT:3.2+/-0.5mm	[POCHS:2: {1.0}(C4)]	
32	2.0000	PC			CAP E;10 uF;50 V;20 %;6.3*5.5;SMT	[POCHS:2: {2.0}(C18-C19)]	*NOT available in DP
33	1.0000	PC			CAP E;22 uF;50 V;20 %;6.3*5.5;SMT	[POCHS:2: {1.0}(C27)]	*NOT available in DP
34	8.0000	PC			CAP E;47 uF;50 V;20 %;8*6.5;SMT	[POCHS:2: {8.0}(C20,C26,C31,C125,C199,C205-C207)]	*NOT available in DP
35	3.0000	PC			CAP E;100 uF;50 V;8*10.5;SMT	[POCHS:2: {3.0}(C155-C156,C164)]	*NOT available in DP
36	1.0000	PC			CAP E;220 uF;50 V;20 %;10*10.5;SMT	[POCHS:2: {1.0}(C51)]	*NOT available in DP
37	8.0000	PC			CAP E;470 uF;25 V;10*10.5;SMT	[POCHS:2: {8.0}(C28,C43-C44,C58,C80,C175-C176,C196)]	*NOT available in DP
38	2.0000	PC			CAP E;1 mF;6.3 V;20 %;8*10.5;SMT	[POCHS:2: {2.0}(C45-C46)]	*NOT available in DP
39	1.0000	PC			CAP E;22 uF;450 V;20 %;RADIAL;13*25.5 MM;T&R	[POCHS:2: {1.0}(C42)]	*NOT available in DP
40	5.0000	PC			CAP E;22 uF;25 V;20 %;5*5.5;SMT;ZV SERIES	[POCHS:2: {5.0}(C154,C162,C168,C187,C216)]	*NOT available in DP
41	4.0000	PC			CAP CER;150 pF;1 kV;COG;5 %;SMD1206	[POCHS:2: {4.0}(C83,C86,C99,C101)]	*NOT available in DP
42	2.0000	PC			CAP CER;15 nF;250 V;X7R;10 %;SMD1206	[POCHS:2: {2.0}(C145,C151)]	*NOT available in DP

	Quantity	Unit	S.Sku	M.Sku	Description	Reference Designators	Notes
43	4.0000	PC			CAP CER;470pF;1KV;X7R;10%;SMT1206	[POCHS:5: {4.0}{C59-C62}]	*NOT available in DP
44	4.0000	PC			CAP CER;1nF;200V;X7R;10%;SMT805	[POCHS:2: {2.0}{C173,C246}]	*NOT available in DP
45	2.0000	PC			CAP CER;4nF;200V;X7R;10%;SMT805	[POCHS:2: {2.0}{C116,C245}]	*NOT available in DP
46	2.0000	PC			CAP FILM;220 nF;250 V;PPM;5 %;RADIAL;12.5 x 12.5 x 8mm;CBB25;PRE-CUT:3MM1+/-0MM5	[POCHS:2: {2.0}{C123,C132}]	*NOT available in DP
47	1.0000	PC			CAP FILM;1 uF;400 V;PPM;10 %;25.5 x 19.5 x 11mm;PITCH:22.5 mm;25 A;Hi-RFQ	[POCHS:2: {1.0}{C25}]	*NOT available in DP
48	4.0000	PC			CAP FILM;1 uF;250 V;PPM;5 %;17.5 x 15 x 9.5mm;PITCH:15 mm;CBB21;REDUCED SIZE	[POCHS:2: {4.0}{C89,C104,C122,C131}]	*NOT available in DP
49	2.0000	PC			CAP FILM;10nF;400V;MPF;10%;PITCH:5mm;BOX;PRE-CUT:3mm1 +/- 0mm5	[POCHS:2: {2.0}{C33-C34}]	*NOT available in DP
50	1.0000	PC			CAP FILM;100nF;400V;5%;PITCH:15mm;PRE-CUT:3.2+/-0.5mm	[POCHS:2: {1.0}{C8}]	*NOT available in DP
51	2.0000	PC			CAP E;105C;3.3 mF;100 V;20 %;30*51;10 MM;HP SERIES	[POCHS:2: {2.0}{C124,C130}]	*NOT available in DP

Circuit Protector

	Quantity	Unit	S.Sku	M.Sku	Description	Reference Designators	Notes
1	2.0000	PC	R21-15201-52000	B21-15201-52000	FUSE CLIP;2 A;V;ZINC PLATING;250V;SERIES;520;FUSE;250 V;PLATING	[POCHS:2: {2.0}{F1-F2}]	
2	1.0000	PC	R22-01514-10001	B22-01514-10001	FUSE;10A;250V;SLOW BLOW;H-TYPE;5mm x 20mm		(UL, JPSH, JPMG)
3	1.0000	PC	R22-01516-30001	B22-01516-30001	FUSE;6A3;250V;SLOW BLOW;H-TYPE;5mm x 20mm		(EU, UK, SAA, AR, BR1)

Coil

	Quantity	Unit	S.Sku	M.Sku	Description	Reference Designators	Notes
1	2.0000	PC	R37-00000-23921	B37-00000-23921	COIL;CHOKE;15 uH;POAEN COIL T130-2 L:15uH+/-10%@1KHZ,0.25V SG	[POCHS:2: {2.0}{L4-L5}]	
2	1.0000	PC	R37-00000-26102	B37-00000-26102	COIL;CHOKE;6 mH;COIL T31X19X13 1.0mmx21.5T5 REF L:6.0mH MIN@1KHZ,0	[POCHS:2: {1.0}{L2}]	
3	1.0000	PC	R37-00000-26280	B37-00000-26280	COIL;CHOKE;10 mH;COIL UU9.8 1:100 L(4-3);10mH MIN@1KHZ,0.25V	[POCHS:2: {1.0}{TR2}]	
4	1.0000	PC	R37-00000-27090	B37-00000-27090	COIL;CHOKE;1 mH;COIL T12.7X7.9X6.35 L:1.0mH MIN@1KHZ,0.25V	[POCHS:2: {1.0}{TR1}]	
5	2.0000	PC	R37-00000-27712	B37-00000-27712	COIL;CHOKE;R3X10;2.4uH+/-30%@1KHZ,0.25V	[POCHS:2: {2.0}{L8-L9}]	
6	1.0000	PC	R37-00001-80417	B37-00001-80417	COIL;CHOKE;6.2 mH;DCR:0.05 OHM;L:10x12 MM;T31*19*13 L:6.2 MH MIN@1KHZ,0.25V	[POCHS:2: {1.0}{L11}]	
7	2.0000	PC	R44-00000-56883	B44-00000-56883	COIL;BEAD;15 uH;0.08 OHMS;7X4.5 MM;L:15uH+/-20%@1KHZ,0.25V 7X4.5;SMD	[POCHS:2: {2.0}{L11-L12}]	

Connector

	Quantity	Unit	S.Sku	M.Sku	Description	Reference Designators	Notes
1	2.0000	PC	R80-00000-21788	B80-00000-21788	SPEAKON;H=24mm;with M3 NUT	[POCHS:5: {2.0}{X11-X12}]	
2	6.0000	PC	R84-25016-06014	B84-25016-06014	CRIMP TERMINAL;PITCH:2mm0;AWG24-30;A2008TOP-2		
3	2.0000	PC	R84-30060-06009	B84-30060-06009	JACKET;FOR 6mm35 AMP CONNECTOR;PVC;STRAIGHT;DIAMETER:4mm		
4	2.0000	PC	R84-32050-05839	B84-32050-05839	CRIMP CONNECTOR;AMP;RECEPTABLE;6mm3 x 7mm5;AWG 14-18;WIRE MOUNT;STRAIGHT;250 SERIES		
5	2.0000	PC	R84-39000-03120	B84-39000-03120	CONNECTOR;AMP;PCB;PCB MOUNT;PITCH:5mm;WIDTH:6mm3	[POCHS:2: {2.0}{X1-X2}]	
6	2.0000	PC	R95-00000-19168	B95-00000-19168	CONNECTOR;XLR;12;XLR&6.35 COMBO;RIGHT ANGLE	[POCHS:2: {2.0}{X15,X17}]	
7	1.0000	PC	R93-00000-29798	B93-00000-29798	BARE WIRE;DIA:1MM;L:7.5MM;PRE-CUT:3.3MM	[; {1.0}{JP1}]	(UL, JPSH, JPMG)

Diode

	Quantity	Unit	S.Sku	M.Sku	Description	Reference Designators	Notes
1	7.0000	PC			DIODE;SCHOTTKY;S50540-R1-00001;IAV:0.5A;SOD123;SMD	[P0CHS:2: {7.0}{D5-D9,D12,D90}]	*NOT available in DP
2	2.0000	PC			DIODE;STANDARD;185 V;DO201AD;1.5KE220A	[P0CHS:2: {2.0}{D13-D14}]	*NOT available in DP
3	2.0000	PC			DIODE;BAV99;SOT23;SMD	[P0CHS:2: {2.0}{D48,D99}]	*NOT available in DP
4	38.0000	PC			DIODE;LL4148;LL34;TEMIC OR FC;SMD	[P0CHS:2: {38.0}{D1,D4,D10-D11,D17-D22,D24,D34,D47,D56-D59,D76,D79-D80,D84-D86,D89,D91-D92,D94-D97,D102-D109}]	*NOT available in DP
5	8.0000	PC			DIODE;100V;1 A;MBRS1100T3;SMB;ON-SEMI;SMD	[P0CHS:2: {8.0}{D30-D31,D35-D36,D38-D41}]	*NOT available in DP
6	1.0000	PC			DIODE;SUPERFAST;ER1J;600V;1A;35NS;DO-214AA;SMD	[P0CHS:2: {1.0}{D23}]	*NOT available in DP
7	4.0000	PC			DIODE;ZMM04V3;SMD1206	[P0CHS:2: {4.0}{D26-D27,D32-D33}]	*NOT available in DP
8	2.0000	PC			DIODE;ZMM04V7;SMD1206;SMD	[P0CHS:2: {2.0}{D49,D100}]	*NOT available in DP
9	4.0000	PC			DIODE;ZMM15V0;SMD1206	[P0CHS:2: {4.0}{D37,D46,D60,D69}]	*NOT available in DP
10	1.0000	PC			DIODE;ZMM18V0;SMD1206	[P0CHS:2: {1.0}{D16}]	*NOT available in DP
11	2.0000	PC			DIODE;ZMM51V0;SMD1206	[P0CHS:2: {2.0}{D98,D101}]	*NOT available in DP
12	6.0000	PC			DIODE;ZMM03V0;MINIMELF;SMD	[P0CHS:2: {6.0}{D50-D51,D54-D55,D65-D66}]	*NOT available in DP
13	4.0000	PC			DIODE;RECTIFIER;200 V;MURB1620CT;DDPAK	[P0CHS:2: {4.0}{D42-D45}]	*NOT available in DP
14	5.0000	PC			DIODE;RECTIFIER;SMD;SMA;1A;1000V;GS1 MW	[P0CHS:2: {5.0}{D3,D78,D81,D87-D88}]	*NOT available in DP
15	16.0000	PC			DIODE;SUPERFAST;ES1D;200V;1A;15NS;DO-214AC;SMD	[P0CHS:2: {16.0}{D15,D25,D28-D29,D52-D53,D61,D63,D67-D68,D70-D75}]	*NOT available in DP
16	1.0000	PC	X80-38552-56090	H80-38552-56090	BRIDGE RECTIFIER;RS-4;BRIDGE;D25XB60;600V;25A;SIL;SHINDENGEN;600 V;25 A	[P0CHS:2: {1.0}{D2}]	

Hardware

	Quantity	Unit	S.Sku	M.Sku	Description	Reference Designators	Notes
1	5.0000	PC			CABLE TIE;NYLON;.4in;COLOR:		*NOT available in DP
2	0.4980	G			THERM-GREASE;COLOR:WHT;SPEC.NO:09286		*NOT available in DP
3	1.0000	PC			HEX NUT T-NUT;M;DIA:4 MM;HEX;ZINC;BLUE;PITCH:0.7 MM;M4;NYLON-INSERT HEX LOCKNUT,24HOURS		*NOT available in DP
4	4.0000	PC			SC;B5*8;PAN;BLACK		*NOT available in DP
5	6.0000	PC			SCREW;M3mm*6mm;HEAD:PAN SPRING WASHER;INSERT:PHILIPS REC.;SURFACE:SILVER/NIC		*NOT available in DP
6	6.0000	PC			SCREW;M3mm*8mm;HEAD:PAN SPRING WASHER;INSERT:PHILIPS REC.;SURFACE:SILVER/NIC		*NOT available in DP
7	8.0000	PC			SCREW;MP;0mm5;3mm*5mm;HEAD:FLAT;INSERT:PHILIPS REC.;SURFACE:BLACK/ZINC		*NOT available in DP
8	10.0000	PC			SCREW;BT3mm*6mm;HEAD:PAN;INSERT:PHILLIPS REC.;SURFACE:BLACK/ZINC		*NOT available in DP
9	4.0000	PC			SCREW;M3mm*6mm;HEAD:PAN;INSERT:PHILLIPS REC.;SURFACE:BLACK/ZINC		*NOT available in DP
10	4.0000	PC			SCREW;BT3mm*8mm;HEAD:PAN;INSERT:PHILLIPS REC.;SURFACE:BLACK/ZINC		*NOT available in DP
11	9.0000	PC			SCREW;M3mm*8mm;PITCH:0mm5;HEAD:FLAT;INSERT:PHILIPS REC.;SURFACE:BLACK/ZINC		*NOT available in DP
12	4.0000	PC			SCREW;M3mm*8mm;PITCH:0mm5;HEAD:FLAT;DIA:5mm2;INSERT:PHILIPS REC.;SURFACE:BLACK/ZINC		*NOT available in DP
13	4.0000	PC			SCREW;M3mm*10mm;HEAD:FLAT;INSERT:PHILIPS REC.;SURFACE:BLACK/ZINC		*NOT available in DP
14	4.0000	PC	V89-43000-00002	F89-43000-00002	INSULATION SHEET;GLIMMER;TO220 W/HOLE;HOLE-DIAMETER:3MM1(IN-GLTO220_3MM1-REVA.DWG)		
15	0.1320	M			SHRINKING TUBE;INNER DIA;1mm;SPEC.NO:43217		*NOT available in DP
16	0.0600	M			SHRINKING TUBE;INNER DIA;3mm;SPEC.NO:01097		*NOT available in DP
17	0.0150	M			SHRINKING TUBE;INNER DIA;4mm;SPEC.NO:01098		*NOT available in DP
18	0.1100	M			SHRINKING TUBE;INNER DIA;6mm;SPEC.NO:01099		*NOT available in DP
19	1.0000	M			SHRINKING TUBE;INNER DIA;14mm;SPEC.NO:01100	[P0CHS:2: {1.0}(TUB2)]	*NOT available in DP
20	1.0000	M			SHRINKING TUBE;INNER DIA:20mm;THICKNESS:0mm5	[P0CHS:2: {1.0}(TUB1)]	*NOT available in DP
21	1.0000	PC			WASHER;DIA:4.3 MM;OD:7 MM;ZINC;BLUE;EXTERNAL TEETH WASHER,24HOURS		*NOT available in DP
22	1.0000	PC	V97-00001-93071	F97-00001-93071	PLASTIC;PC_SHEET;BLACK;PC SHEET;POAHO-WIND_TUBE;REVB		
23	4.0000	PC			BUSHING;MINIATURE;NYLON;DWG.NO:27886;(R20-SC-PLA_NYLBUSHM3x1_4.DWG)		*NOT available in DP
24	4.0000	PC			SCREW;M3mm*6mm;PITCH:0mm5;HEAD:FLAT;DIA:4mm5;INSERT:PHILIPS REC.;SURFACE:BLACK/ZINC		*NOT available in DP
25	0.0150	M			SHRINKING TUBE;INNER DIA;4mm;SPEC.NO:01098		*NOT available in DP

Ic

	Quantity	Unit	S.Sku	M.Sku	Description	Reference Designators	Notes
1	1.0000	PC	S71-20352-50116	C71-20352-50116	IC;DRIVER VOLTAGE-MODE PWM CONTROLLER;KA3525A;DIP	[POCHS:2: {1.0}(IC1)]	
2	2.0000	PC	S73-00000-09594	C73-00000-09594	IC;OPAMP;SO;8;DUAL;MC33078D	[POCHS:2: {2.0}(IC18,IC25)]	
3	1.0000	PC	S73-22370-00516	C73-22370-00516	IC;OPAMP OPAMP;V13700M;SOP	[POCHS:2: {1.0}(IC22)]	
4	1.0000	PC	S73-55035-80508	C73-55035-80508	IC;OPAMP OPAMP;LM358;SOP 8D	[POCHS:2: {1.0}(IC16)]	
5	6.0000	PC	S73-59458-00508	C73-59458-00508	IC;OPAMP OPAMP;NJM4580;SOP	[POCHS:2: {6.0}(IC8,IC10,IC12,IC21,IC23,IC31)]	
6	1.0000	PC	S74-00000-19134	C74-00000-19134	IC;TEMPERATURE SENSOR;SO;8;LM35DM	[POCHS:2: {1.0}(IC28)]	
7	1.0000	PC	S74-36100-60803	C74-36100-60803	IC;POWER CONVERSION;MCR100-6RLG;TO92;TAPE	[POCHS:2: {1.0}(T16)]	
8	1.0000	PC	S77-00000-19127	C77-00000-19127	IC;VOLT.REGULATOR;DDPAK;3;LM7812	[POCHS:2: {1.0}(IC9)]	
9	1.0000	PC	S77-00000-19132	C77-00000-19132	IC;VOLT.REGULATOR;DDPAK;3;LM317	[POCHS:2: {1.0}(IC15)]	
10	2.0000	PC	S77-00128-03000	C77-00128-03000	IC;VOLT.REGULATOR;ZENERSHUNT.REGULATOR;SOT23;TIL;LM431AC M3X/NOPB	[POCHS:2: {2.0}(IC7,IC17)]	
11	3.0000	PC	S78-55039-32208	C78-55039-32208	IC;COMPARATOR;LM393;SOIC	[POCHS:2: {3.0}(IC24,IC30,IC34)]	
12	4.0000	PC	S78-55133-90514	C78-55133-90514	IC;COMPARATOR;(SGS ONLY);LM339;SOP;SMD	[POCHS:2: {4.0}(IC3,IC26,IC32-IC33)]	
13	2.0000	PC	T24-16055-57408	D24-16055-57408	IC;MICROCONTROLLER;NE555DT;SMD;SO8	[POCHS:2: {2.0}(IC2,IC36)]	
14	2.0000	PC	T28-64209-52216	D28-64295-72216	IC;IRS20957S;SOIC	[POCHS:2: {2.0}(IC27,IC35)]	
15	1.0000	PC	T30-22002-20108	D30-22002-20108	IC;SWITCH/MULTIPLEX;VIPER22ADIP;DIP-8	[POCHS:2: {1.0}(IC4)]	

Led

	Quantity	Unit	S.Sku	M.Sku	Description	Reference Designators	Notes
1	3.0000	PC	U10-00000-39411	E10-00000-39411	LED HIB;AMBER;SMD805	[POCAL:1: {3.0}(LD2,LD7,LD12)]	
2	4.0000	PC	U10-00000-39412	E10-00000-39412	LED HIB;GREEN;SMD805	[POCAL:1: {4.0}(LD1,LD4-LD6)]	
3	4.0000	PC	U10-00000-39413	E10-00000-39413	LED HIB;RED;SMD805	[POCAL:1: {4.0}(LD3,LD8-LD10)]	

Metal Part

	Quantity	Unit	S.Sku	M.Sku	Description	Reference Designators	Notes
1	1.0000	PC	Q60-00001-63556	A60-00001-63556	METAL;PLATE;POCAL;MATERIAL:SECC;PUNCHING;POWDER COATING(ANTI-UV);BLACK;POCAL-FRONT_PLATE;REVA		
2	2.0000	PC	Q65-00000-25274	A65-00000-25274	METAL;POAEM;COPPER;COPPER SHEET	[POCHS:2: {2.0}(H5-H6)]	
3	1.0000	PC	Q65-00001-54034	A65-00001-54034	METAL;SHEET;POAHN;MATERIAL:COPPER;CUTTING + BENDING;POAHN-COPPER-SHEET;REVA	[POCHS:2: {1.0}(H1)]	VIPER22
4	1.0000	PC	Q65-00001-59124	A65-00001-59124	METAL;COVER;POCBB;MATERIAL:ALUMINIUM;PUNCHING;POWDER COATING;BLACK;POCBB-TOP_COVER;REVA		
5	2.0000	PC	Q65-00001-63557	A65-00001-63557	METAL;BRACKET;POCAL;MATERIAL:ZINC ALLOY;DIECASTING;POWDER COATING(ANTI-UV);BLACK;POCAL-BRACKET;REVA		
6	1.0000	PC	Q65-00001-63558	A65-00001-63558	METAL;GRILL;POCAL;MATERIAL:SECC;PUNCHING;POWDER COATING(ANTI-UV);BLACK;POCAL_GRILLE_L;REVA		
7	1.0000	PC	Q65-00001-64830	A65-00001-64830	METAL;GRILL;POCAL;MATERIAL:SECC;PUNCHING;POWDER COATING(ANTI-UV);BLACK;POCAL_GRILLE_R;REVA		
8	1.0000	PC	Q65-09000-25912	A65-09000-25912	METAL;FAN GUARD;DIAMETER:80mm;TYP;G;NO:01;SPEC.NO:25912		
9	1.0000	PC	Z05-00001-73271	J05-00001-73271	METAL;CASE;POCHS;MATERIAL:ALUMINIUM;PUNCHING;POWDER COATING(ANTI-UV);BLACK;REAR;A001		
10	1.0000	PC	Q65-00001-54034	A65-00001-54034	METAL;SHEET;POAHN;MATERIAL:COPPER;CUTTING + BENDING;POAHN-COPPER-SHEET;REVA	[POCHS:2: {1.0}(H1)]	(EU, UL, UK, SAA, AR, BR1, JPSH)

Plastic Part

	Quantity	Unit	S.Sku	M.Sku	Description	Reference Designators	Notes
1	4.0000	PC	W51-01200-01762	G51-01200-01762	RUBBER FOOT;STANDARD;SELF-ADHESIVE;COLOR:BLK;DWG.NO:01762		
2	2.0000	PC	W52-00001-68361	G52-00001-68361	PLASTIC;KNOB;POCBT;ABS;INJECTION;MATT;BLACK MATT;POCBT-ROTARY_KNOB;REVA		
3	1.0000	PC	W58-00001-63553	G58-00001-63553	PLASTIC;BUTTON;POCAL;ABS;INJECTION;MATT;BLACK;POCAL-POWER_BUTTON;REVA		
4	1.0000	PC	W58-00001-63555	G58-00001-63555	PLASTIC;LOGO;POCAL;ABS;INJECTION;GLOSSY;HOT STAMPING;SILVER;BLACK;BEHRINGER_LOGO;REVA		
5	2.0000	PC	W58-00001-64566	G58-00001-64566	PLASTIC;COVER;POCAL;ABS;INJECTION;WHITE;POCAL-LED_COVER;REVA		
6	1.0000	PC	W58-00001-64567	G58-00001-64567	PLASTIC;COVER;POCAL;ABS;INJECTION;WHITE;POCAL-LED_COVER_01;REVA		
7	1.0000	PC	W58-00001-80532	G58-00001-80532	PLASTIC;SHIELD;POCAL;PC;CUTTING;BLACK;POCAL-PC_SHIELD;REVA		
8	1.0000	PC	Y64-00001-73268	I64-00001-73268	PLASTIC;WINDOW;POCHS;PC;INJECTION;SPRAYING (ANTI -UV);BLACK MATT;LED:A001		
9	1.0000	PC	Y68-00001-65153	I68-00001-65153	PLASTIC;COVER;POCAL;ABS;INJECTION;MATTE;BLACK;FRONT;A001		

Plug Socket

	Quantity	Unit	S.Sku	M.Sku	Description	Reference Designators	Notes
1	1.0000	PC	W61-65214-03291	G61-65214-03291	BOX HEADER;POLES:14;2 ROW;STRAIGHT;PITCH:2mm54;SCM-14S	[POCHS:2: {1.0}(X20)]	
2	1.0000	PC	W61-75214-05288	G61-75214-05288	CABLE HEADER;POLES:14;2 ROW;IDE;STRAIGHT;PITCH:2mm54;FC-14P		
3	1.0000	PC	W61-85214-08163	G61-85214-08163	TRANSITION PLUG;FLAT CABLE;POLES:14;ROWS:2;STRAIGHT;PITCH:2mm54;BLACK;FD-14P		
4	1.0000	PC	W67-30103-01969	G67-30103-01969	SOCKET;AC;PCB MOUNT;COLOR:BLACK;POLES:03;(SS-7B-1-T7NUT2)	[POCHS:2: {1.0}(X3)]	
5	1.0000	PC	W71-23102-04756	G71-23102-04756	WAFER;POLES:2;STRAIGHT;PITCH:2 mm;1 ROW;TYPE:A2006WV-2P	[POCHS:2: {1.0}(X7)]	
6	1.0000	PC	W71-23106-04965	G71-23106-04965	WAFER;POLES:6;STRAIGHT;PITCH:2 mm;1 ROW;TYPE:A2006WV-6P	[POCHS:2: {1.0}(X18)]	
7	1.0000	PC	W71-43106-05998	G71-43106-05998	PLUG;HOUSING;POLES:6;ROWS:1;STRAIGHT;PITCH:2mm;TYP:A2008		
8	6.0000	PC	W71-80000-05663	G71-80000-05663	BD.-IN-CONN;TERMINAL;SAN-002T-0.8A		
9	1.0000	PC	W71-83106-05650	G71-83106-05650	BOARD-IN-CONNECTOR;POLES:6;ROWS:1;STRAIGHT;PITCH:2 mm		

Power Supply

	Quantity	Unit	S.Sku	M.Sku	Description	Reference Designators	Notes
1	1.0000	PC	Z63-00000-19506	J63-00000-19506	TRANSFORMER;POAHN;EER424220	[POCHS:2: {1.0}(TR4)]	
2	1.0000	PC	Z63-00000-19508	J63-00000-19508	TRANSFORMER;POAEM;EEL1927	[POCHS:2: {1.0}(TR3)]	

Resistor

	Quantity	Unit	S.Sku	M.Sku	Description	Reference Designators	Notes
1	2.0000	PC			RESISTOR;METAL;75 kohm;0W125;1 %;SMD805;MET	[POCHS:2: {2.0}(R229,R238)]	*NOT available in DP
2	4.0000	PC			RESISTOR;METAL;10 kohm;1W;1 %;SMD2512	[POCHS:2: {4.0}(R65-R68)]	*NOT available in DP
3	1.0000	PC			RESISTOR;METAL;39 kohm;0W25;1 %;SMD1206;MET	[POCHS:2: {1.0}(R269)]	*NOT available in DP
4	4.0000	PC			RESISTOR;METAL;3.3 ohm;0W25;1 %;100 PPM;SMD1206;MET	[POCHS:2: {4.0}(R134,R137,R168,R170)]	*NOT available in DP
5	4.0000	PC			RESISTOR;METAL;22 kohm;1W;1 %;SMD2512;THICK FILM	[POCHS:2: {4.0}(R22,R33,R62,R70)]	*NOT available in DP
6	2.0000	PC			RESISTOR;CARBON;3ohm9;5%;0W1;SMD805	[POCHS:2: {2.0}(R142,R174)]	*NOT available in DP
7	1.0000	PC			RESISTOR;CARBON;10ohm;5%;0W1;SMD805	[POCHS:2: {1.0}(R287)]	*NOT available in DP
8	5.0000	PC			RESISTOR;CARBON;22ohm;5%;0W1;SMD805	[POCHS:2: {5.0}(R98,R225-R226,R318-R319)]	*NOT available in DP
9	1.0000	PC			RESISTOR;CARBON;200ohm;5%;0W1;SMD805	[POCHS:2: {1.0}(R16)]	*NOT available in DP
10	1.0000	PC			RESISTOR;CARBON;220ohm;5%;0W1;SMD805	[POCHS:2: {1.0}(R59)]	*NOT available in DP
11	2.0000	PC			RESISTOR;CARBON;240ohm;5%;0W1;SMD805	[POCHS:2: {2.0}(R279,R286)]	*NOT available in DP
12	2.0000	PC			RESISTOR;CARBON;470ohm;5%;0W1;SMD805	[POCHS:2: {2.0}(R73,R151)]	*NOT available in DP
13	1.0000	PC			RESISTOR;CARBON;510ohm;5%;0W1;SMD805	[POCHS:2: {1.0}(R41)]	*NOT available in DP
14	2.0000	PC			RESISTOR;CARBON;620ohm;5%;0W1;SMD805	[POCHS:2: {2.0}(R178,R193)]	*NOT available in DP
15	4.0000	PC			RESISTOR;CARBON;680ohm;5%;0W1;SMD805	[POCHS:2: {4.0}(R125,R157,R303,R306)]	*NOT available in DP
16	4.0000	PC			RESISTOR;CARBON;2Kohm4;5%;0W1;SMD805	[POCHS:2: {4.0}(R119,R217-R218,R300)]	*NOT available in DP
17	4.0000	PC			RESISTOR;CARBON;3Kohm;5%;0W1;SMD805	[POCAL:1: {2.0}(R35,R44)]	*NOT available in DP
18	2.0000	PC			RESISTOR;CARBON;3Kohm3;5%;0W1;SMD805	[POCHS:2: {2.0}(R132,R167)]	*NOT available in DP
19	7.0000	PC			RESISTOR;CARBON;4Kohm7;5%;0W1;SMD805	[POCAL:1: {2.0}(R39,R43)]	*NOT available in DP
20	8.0000	PC			RESISTOR;CARBON;10Kohm;5%;0W1;SMD805	[POCHS:2: {8.0}(R201,R208,R214-R216,R230,R236,R240)]	*NOT available in DP
21	6.0000	PC			RESISTOR;CARBON;33Kohm;5%;0W1;SMD805	[POCAL:1: {6.0}(R36-R38,R40-R42)]	*NOT available in DP
22	1.0000	PC			RESISTOR;CARBON;39Kohm;5%;0W1;SMD805	[POCHS:2: {1.0}(R26)]	*NOT available in DP
23	2.0000	PC			RESISTOR;CARBON;100Kohm;5%;0W1;SMD805	[POCHS:2: {2.0}(R72,R141)]	*NOT available in DP
24	3.0000	PC			RESISTOR;CARBON;150Kohm;5%;0W1;SMD805	[POCHS:2: {3.0}(R76,R231,R316)]	*NOT available in DP
25	1.0000	PC			RESISTOR;CARBON;390Kohm;5%;0W1;SMD805	[POCHS:2: {1.0}(R28)]	*NOT available in DP
26	2.0000	PC			RESISTOR;METAL;0ohm;1%;0W1;SMD805	[POCHS:2: {2.0}(R96,R100)]	*NOT available in DP
27	5.0000	PC			RESISTOR;METAL;22ohm;1%;0W1;SMD805	[POCHS:2: {5.0}(R273-R276,R288)]	*NOT available in DP
28	8.0000	PC			RESISTOR;METAL;100ohm;1%;0W1;SMD805	[POCHS:2: {8.0}(R18,R74,R80,R83,R139,R152,R162,R282)]	*NOT available in DP
29	1.0000	PC			RESISTOR;METAL;301ohm;1%;0W1;SMD805	[POCHS:2: {1.0}(R173)]	*NOT available in DP
30	4.0000	PC			RESISTOR;METAL;330ohm;1%;0W1;SMD805	[POCHS:2: {4.0}(R117-R118,R298-R299)]	*NOT available in DP
31	4.0000	PC			RESISTOR;METAL;511ohm;1%;0W1;SMD805	[POCHS:2: {4.0}(R185,R206,R311-R312)]	*NOT available in DP
32	9.0000	PC			RESISTOR;METAL;1Kohm;1%;0W1;SMD805	[POCHS:2: {9.0}(R42,R44,R46,R115-R116,R122,R195,R296-R297)]	*NOT available in DP
33	2.0000	PC			RESISTOR;METAL;1Kohm20;1%;0W1;SMD805	[POCHS:2: {2.0}(R196,R237)]	*NOT available in DP
34	2.0000	PC			RESISTOR;METAL;1Kohm3;1%;0W1;SMD805	[POCHS:2: {2.0}(R120,R301)]	*NOT available in DP
35	1.0000	PC			RESISTOR;METAL;1Kohm82;1%;0W1;SMD805	[POCHS:2: {1.0}(R263)]	*NOT available in DP
36	13.0000	PC			RESISTOR;METAL;2Kohm;1%;0W1;SMD805	[POCHS:2: {13.0}(R91,R107-R109,R112,R124,R156,R180,R191,R289-R290,R293,R307)]	*NOT available in DP
37	3.0000	PC			RESISTOR;METAL;2Kohm20;1%;0W1;SMD805	[POCHS:2: {3.0}(R77,R79,R97)]	*NOT available in DP
38	3.0000	PC			RESISTOR;METAL;3Kohm01;1%;0W1;SMD805	[POCAL:1: {1.0}(R1)]	*NOT available in DP
39	4.0000	PC			RESISTOR;METAL;3Kohm30;1%;0W1;SMD805	[POCHS:2: {4.0}(R223-R224,R234-R235)]	*NOT available in DP
40	2.0000	PC			RESISTOR;METAL;4Kohm02;1%;0W1;SMD805	[POCHS:2: {2.0}(R143,R179)]	*NOT available in DP
41	7.0000	PC			RESISTOR;METAL;4Kohm7;1%;0W1;SMD805	[POCHS:2: {7.0}(R48,R241,R257-R258,R262,R265,R270)]	*NOT available in DP
42	12.0000	PC			RESISTOR;METAL;4Kohm99;1%;0W1;SMD805	[POCHS:2: {12.0}(R64,R69,R127,R130,R158,R161,R210,R221-R222,R227,R232-R233)]	*NOT available in DP
43	2.0000	PC			RESISTOR;METAL;5Kohm1;1%;0W1;SMD805	[POCHS:2: {2.0}(R212,R313)]	*NOT available in DP

	Quantity	Unit	S.Sku	M.Sku	Description	Reference Designators	Notes
44	2.0000	PC			RESISTOR;METAL;5Kohm9;1%;0W1;SMD805	[POCHS:2: {2.0}(R144,R182)]	*NOT available in DP
45	2.0000	PC			RESISTOR;METAL;6Kohm2;1%;0W1;SMD805	[POCHS:2: {2.0}(R129,R305)]	*NOT available in DP
46	1.0000	PC			RESISTOR;METAL;8Kohm06;1%;0W1;SMD805	[POCHS:2: {1.0}(R165)]	*NOT available in DP
47	4.0000	PC			RESISTOR;METAL;8Kohm2;1%;0W1;SMD805	[POCHS:2: {4.0}(R131,R166,R198,R200)]	*NOT available in DP
48	1.0000	PC			RESISTOR;METAL;9Kohm1;1%;0W1;SMD805	[POCHS:2: {1.0}(R264)]	*NOT available in DP
49	34.0000	PC			RESISTOR;METAL;10Kohm;1%;0W1;SMD805	[POCHS:2: {34.0}(R29,R45,R54-R56,R61,R81,R84,R89,R104-R106,R123,R145,R153-R154,R159,R175,R189-R190,R192,R213,R219-R220,R228,R246,R249-R251,R281,R302,R310,R314-R315)]	*NOT available in DP
50	6.0000	PC			RESISTOR;METAL;12Kohm;1%;0W1;SMD805	[POCHS:2: {6.0}(R14,R20,R24,R27,R266-R267)]	*NOT available in DP
51	1.0000	PC			RESISTOR;METAL;12Kohm1;1%;0W1;SMD805	[POCHS:2: {1.0}(R160)]	*NOT available in DP
52	2.0000	PC			RESISTOR;METAL;15Kohm;1%;0W1;SMD805	[POCHS:2: {2.0}(R187,R199)]	*NOT available in DP
53	11.0000	PC			RESISTOR;METAL;20Kohm;1%;0W1;SMD805	[POCHS:2: {11.0}(R111,R114,R172,R184,R242,R245,R252,R259,R292,R295,R317)]	*NOT available in DP
54	10.0000	PC			RESISTOR;METAL;22Kohm;1%;0W1;SMD805	[POCHS:2: {10.0}(R1,R4,R60,R63,R71,R82,R90,R95,R136,R164)]	*NOT available in DP
55	1.0000	PC			RESISTOR;METAL;24Kohm;1%;0W1;SMD805	[POCHS:2: {1.0}(R47)]	*NOT available in DP
56	1.0000	PC			RESISTOR;METAL;24Kohm9;1%;0W1;SMD805	[POCHS:2: {1.0}(R30)]	*NOT available in DP
57	7.0000	PC			RESISTOR;METAL;30Kohm1;1%;0W1;SMD805	[POCHS:2: {7.0}(R85,R103,R163,R177,R188,R284-R285)]	*NOT available in DP
58	1.0000	PC			RESISTOR;METAL;39Kohm2;1%;0W1;SMD805	[POCHS:2: {1.0}(R8)]	*NOT available in DP
59	12.0000	PC			RESISTOR;METAL;47Kohm;1%;0W1;SMD805	[POCHS:2: {12.0}(R19,R38,R75,R86,R93-R94,R133,R209,R247-R248,R256,R261)]	*NOT available in DP
60	9.0000	PC			RESISTOR;METAL;100Kohm;1%;0W1;SMD805	[POCHS:2: {9.0}(R13,R15,R87-R88,R211,R239,R255,R260,R283)]	*NOT available in DP
61	1.0000	PC			RESISTOR;METAL;120Kohm;1%;0W1;SMD805	[POCHS:2: {1.0}(R36)]	*NOT available in DP
62	2.0000	PC			RESISTOR;METAL;130Kohm;1%;0W1;SMD805	[POCHS:2: {2.0}(R32,R268)]	*NOT available in DP
63	1.0000	PC			RESISTOR;METAL;200Kohm;1%;0W1;SMD805	[POCHS:2: {1.0}(R272)]	*NOT available in DP
64	4.0000	PC			RESISTOR;CARBON;10Kohm;5%;0W25;SMD1206	[POCHS:2: {4.0}(R9,R25,R57-R58)]	*NOT available in DP
65	2.0000	PC			RESISTOR;CARBON;470Kohm;5%;0W25;SMD1206	[POCHS:2: {2.0}(R6-R7)]	*NOT available in DP
66	8.0000	PC			RESISTOR;METAL;10ohm;1%;0W25;SMD1206	[POCHS:2: {8.0}(R10,R21,R35,R37,R50-R51,R204,R207)]	*NOT available in DP
67	4.0000	PC			RESISTOR;METAL;15ohm;1%;0W25;SMD1206	[POCHS:2: {4.0}(R135,R138,R169,R171)]	*NOT available in DP
68	1.0000	PC			RESISTOR;METAL;51ohm;1%;0W25;SMD1206	[POCHS:2: {1.0}(R5)]	*NOT available in DP
69	2.0000	PC			RESISTOR;METAL;100ohm;1%;0W25;SMD1206	[POCHS:2: {2.0}(R39-R40)]	*NOT available in DP
70	2.0000	PC			RESISTOR;METAL;1Kohm;1%;0W25;SMD1206	[POCHS:2: {2.0}(R11,R17)]	*NOT available in DP
71	1.0000	PC			RESISTOR;SMT;2Kohm2;1%;METAL;0W25;SMD1206	[POCHS:2: {1.0}(R186)]	*NOT available in DP
72	1.0000	PC			RESISTOR;METAL;4.7 kohm;0.25 W;1 %;SMD1206	[POCHS:2: {1.0}(R49)]	*NOT available in DP
73	9.0000	PC			RESISTOR;METAL;10Kohm;1%;0W25;SMD1206	[POCHS:2: {9.0}(R53,R110,R113,R202-R203,R205,R244,R291,R294)]	*NOT available in DP
74	4.0000	PC			RESISTOR;METAL;20Kohm;1%;0W25;SMD1206	[POCHS:2: {4.0}(R146,R155,R176,R243)]	*NOT available in DP
75	4.0000	PC			RESISTOR;METAL;49Kohm9;1%;0W25;SMD1210	[POCHS:2: {4.0}(R147-R150)]	*NOT available in DP
76	4.0000	PC			RESISTOR;SMD;METAL;300Kohm;1%;0W25;SMD1206	[POCHS:2: {4.0}(R2-R3,R253-R254)]	*NOT available in DP
77	2.0000	PC			RESISTOR;SMT;470Kohm;5%;METAL;0W25;SMD1206	[POCHS:2: {2.0}(R31,R34)]	*NOT available in DP
78	1.0000	PC			RESISTOR;THICK FILM;680ohm;5%;0W25;SMD1206	[POCHS:2: {1.0}(R121)]	*NOT available in DP
79	2.0000	PC			RESISTOR;METAL;4Kohm75;1%;1W;SMD2512	[POCHS:2: {2.0}(R194,R197)]	*NOT available in DP
80	1.0000	PC	Y04-00000-11324	I04-00000-11324	THERMISTOR;PTC;ohm;PTM;Tc:40 DEGREE;Ts:55 DEGREE;R25;330OHM;Rs:2.2KOHM;16V	[POCHS:2: {1.0}(TH3)]	
81	1.0000	PC	Y04-04000-03162	I04-04000-03162	THERMISTOR;NTC;4ohm;+/- 20%;8A;DIA;PITCH:7mm5	[POCHS:2: {1.0}(R140)]	
82	1.0000	PC	Y04-23301-53363	I04-23301-53363	THERMISTOR;PTC;Tc:70;Ts:90;R25:330ohms;Rs:2Kohm2;20%;DIA;W/LUG	[POCHS:2: {1.0}(TH1)]	

	Quantity	Unit	S.Sku	M.Sku	Description	Reference Designators	Notes
83	2.0000	PC			RESISTOR;CEMENT;12ohm;5%;5W;LEAD WIRE;RADIAL;PITCH:5mm;PRECUT:3mm+/-0mm5	[POCHS:2: {2.0}(R277-R278)]	*NOT available in DP

Potentiometer

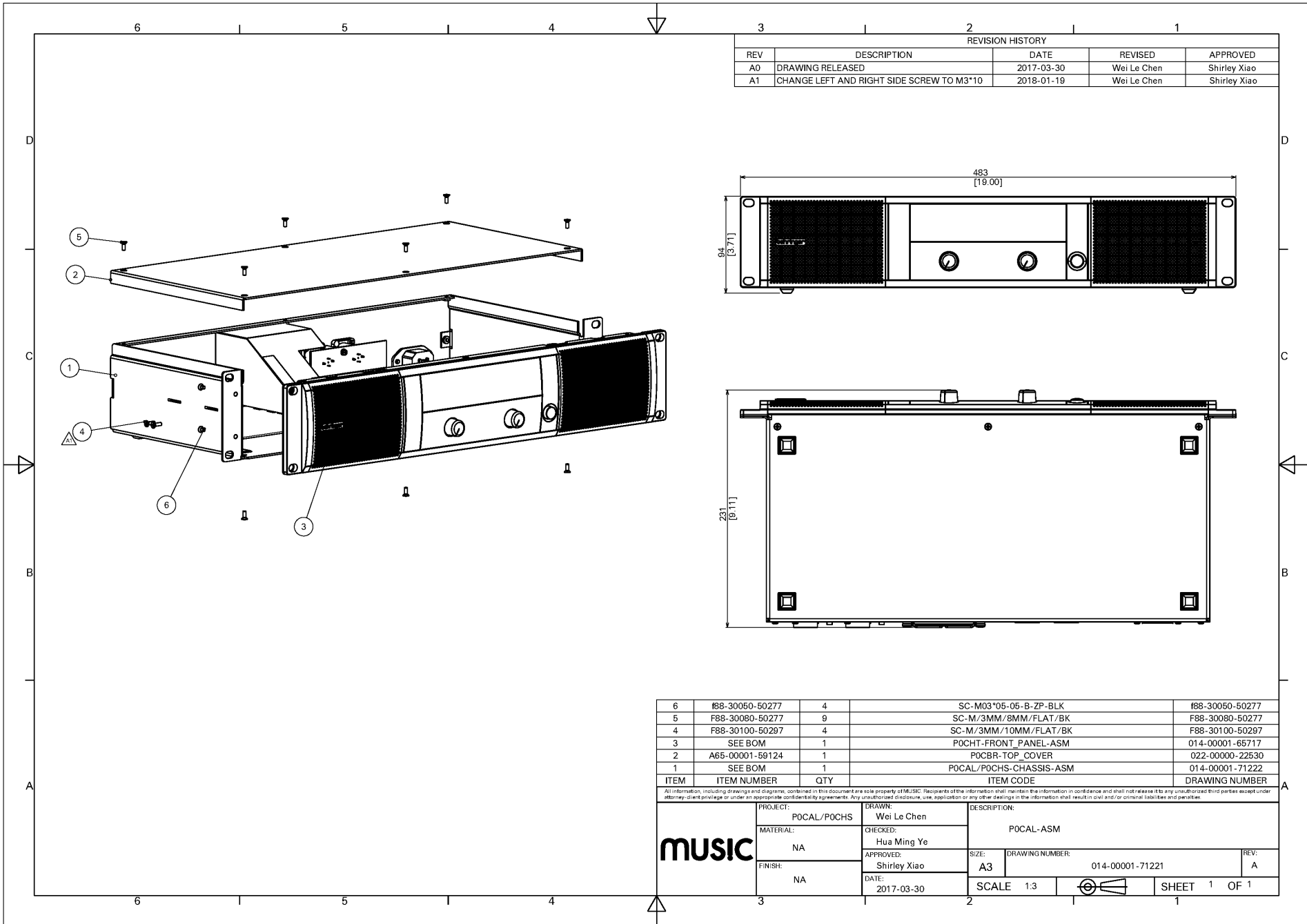
	Quantity	Unit	S.Sku	M.Sku	Description	Reference Designators	Notes
1	2.0000	PC	Y03-00000-22527	I03-00000-22527	POTENTIOMETER;10 kohm;A;20 %;SINGLE;DETENT:21;L=20mm;R1131	[POCAL:1: {2.0}(VR5-VR6)]	

Switch

	Quantity	Unit	S.Sku	M.Sku	Description	Reference Designators	Notes
1	1.0000	PC	Y82-02211-02777	I82-00001-15485	SWITCH;PUSH;1;P1;TLOCKING;SHORTING;L	[POCAL:4: {1.0}(SW1)]	
2	2.0000	PC	Y86-00000-19169	I86-00000-19169	SWITCH;SLIDE;2;3;RIGHT ANGLE;SK-23D44-G9;COMAX	[POCHS:2: {2.0}(S1,S3)]	

Transistor

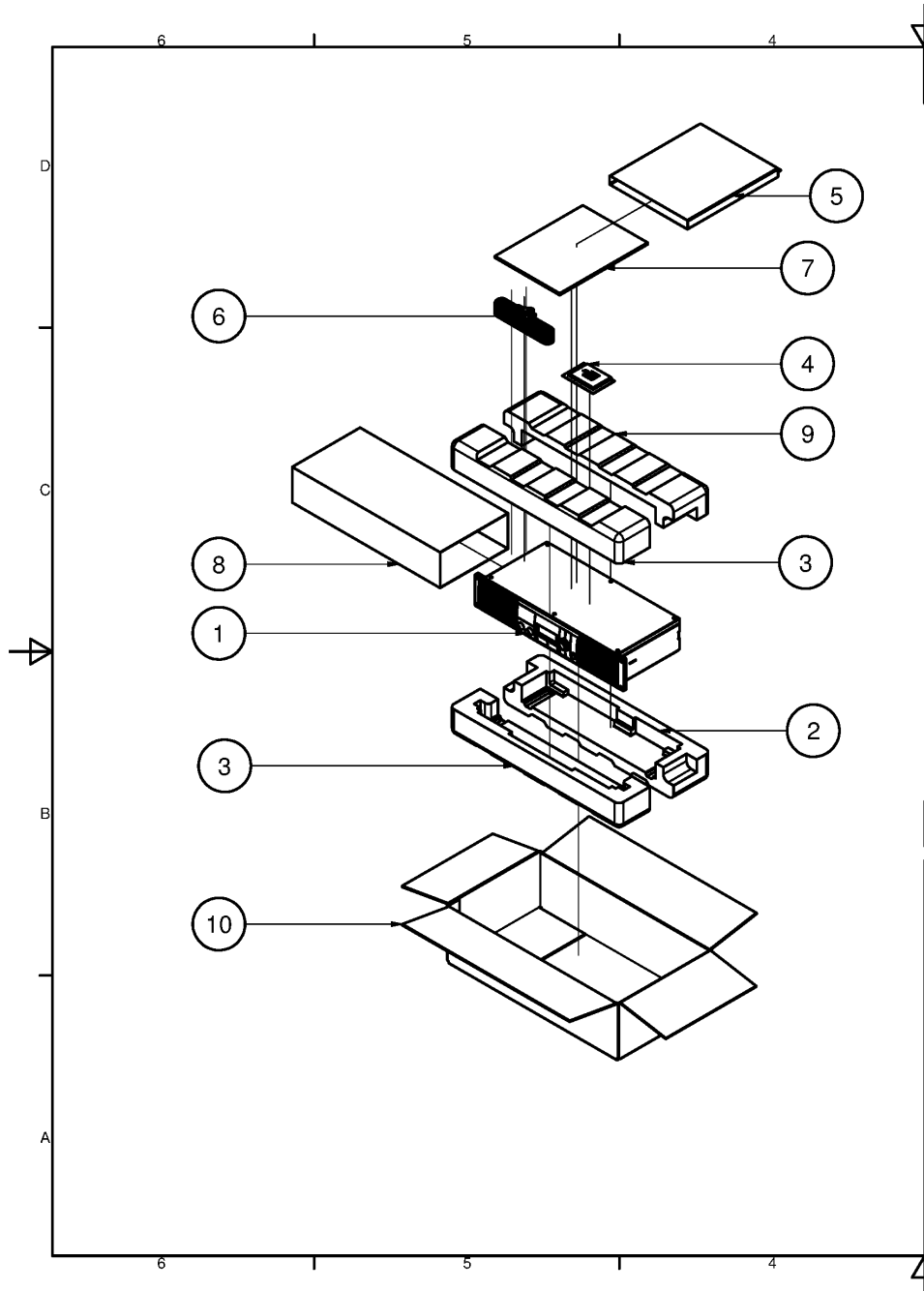
	Quantity	Unit	S.Sku	M.Sku	Description	Reference Designators	Notes
1	4.0000	PC			TRANSISTOR;SOT23;PINS:3;NPN;3A;100V;ZXTN25100BFH	[POCHS:2: {4.0}(T31,T33,T35,T37)]	*NOT available in DP
2	4.0000	PC			TRANSISTOR;SOT23;PINS:3;PNP;3A;100V;ZXP25100BFH	[POCHS:2: {4.0}(T30,T32,T34,T36)]	*NOT available in DP
3	4.0000	PC			TRANSISTOR;IRFB4227PBF;TO220	[POCHS:2: {4.0}(T29,T47-T49)]	*NOT available in DP
4	4.0000	PC			TRANSISTOR;SOT363;PINS:6;PNP;DUAL;45V;100MA;BC857BS	[POCHS:2: {4.0}(T13,T41-T42,T50)]	*NOT available in DP
5	6.0000	PC			TRANSISTOR;BC846B;SOT;SMD	[POCHS:2: {6.0}(T10,T14,T25,T39,T44-T45)]	*NOT available in DP
6	2.0000	PC			TRANSISTOR;BC856B;SOT;SMD	[POCHS:2: {2.0}(T11,T40)]	*NOT available in DP
7	14.0000	PC			TRANSISTOR;MMBT3904LT1;SOT23;SMD	[POCAL:1: {4.0}(T9-T12)]	*NOT available in DP
8	5.0000	PC			TRANSISTOR;MMBT3906;SOT23;SMD	[POCHS:2: {5.0}(T4,T17-T19,T22)]	*NOT available in DP
9	2.0000	PC			TRANSISTOR;MMBT4403;SOT23	[POCHS:2: {2.0}(T2-T3)]	*NOT available in DP
10	4.0000	PC			TRANSISTOR;MMBT5401;SOT23	[POCHS:2: {4.0}(T12,T26,T43,T46)]	*NOT available in DP
11	2.0000	PC			TRANSISTOR;IGBT;IRGB-20B60PD1;TO220AB	[POCHS:2: {2.0}(T1,T5)]	*NOT available in DP



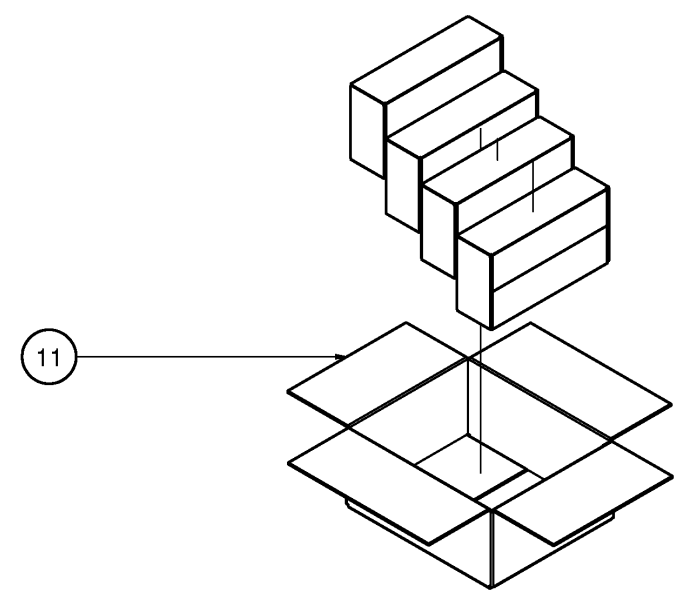
6	f88-30050-50277	4	SC-M03*05-05-B-ZP-BLK	f88-30050-50277
5	F88-30080-50277	9	SC-M/3MM/8MM/FLAT/BK	F88-30080-50277
4	F88-30100-50297	4	SC-M/3MM/10MM/FLAT/BK	F88-30100-50297
3	SEE BOM	1	POCHT-FRONT_PANEL-ASM	014-00001-65717
2	A65-00001-59124	1	POCBR-TOP_COVER	022-00000-22530
1	SEE BOM	1	POCAL/POCHS-CHASSIS-ASM	014-00001-71222
ITEM	ITEM NUMBER	QTY	ITEM CODE	DRAWING NUMBER

All information, including drawings and diagrams, contained in this document are sole property of MUSIC. Recipients of the information shall maintain the information in confidence and shall not release it to any unauthorized third parties except under attorney-client privilege or under an appropriate confidentiality agreement. Any unauthorized disclosure, use, application or any other dealings in the information shall result in civil and/or criminal liabilities and penalties.

MUSIC	PROJECT:	POCAL/POCHS	DRAWN:	Wei Le Chen	DESCRIPTION:		
	MATERIAL:	NA	CHECKED:	Hua Ming Ye	POCAL-ASM		
	FINISH:	NA	APPROVED:	Shirley Xiao	SIZE:	A3	
			DATE:	2017-03-30	DRAWING NUMBER:	014-00001-71221	
				SCALE:	1:3	REV:	A
						SHEET:	1 OF 1



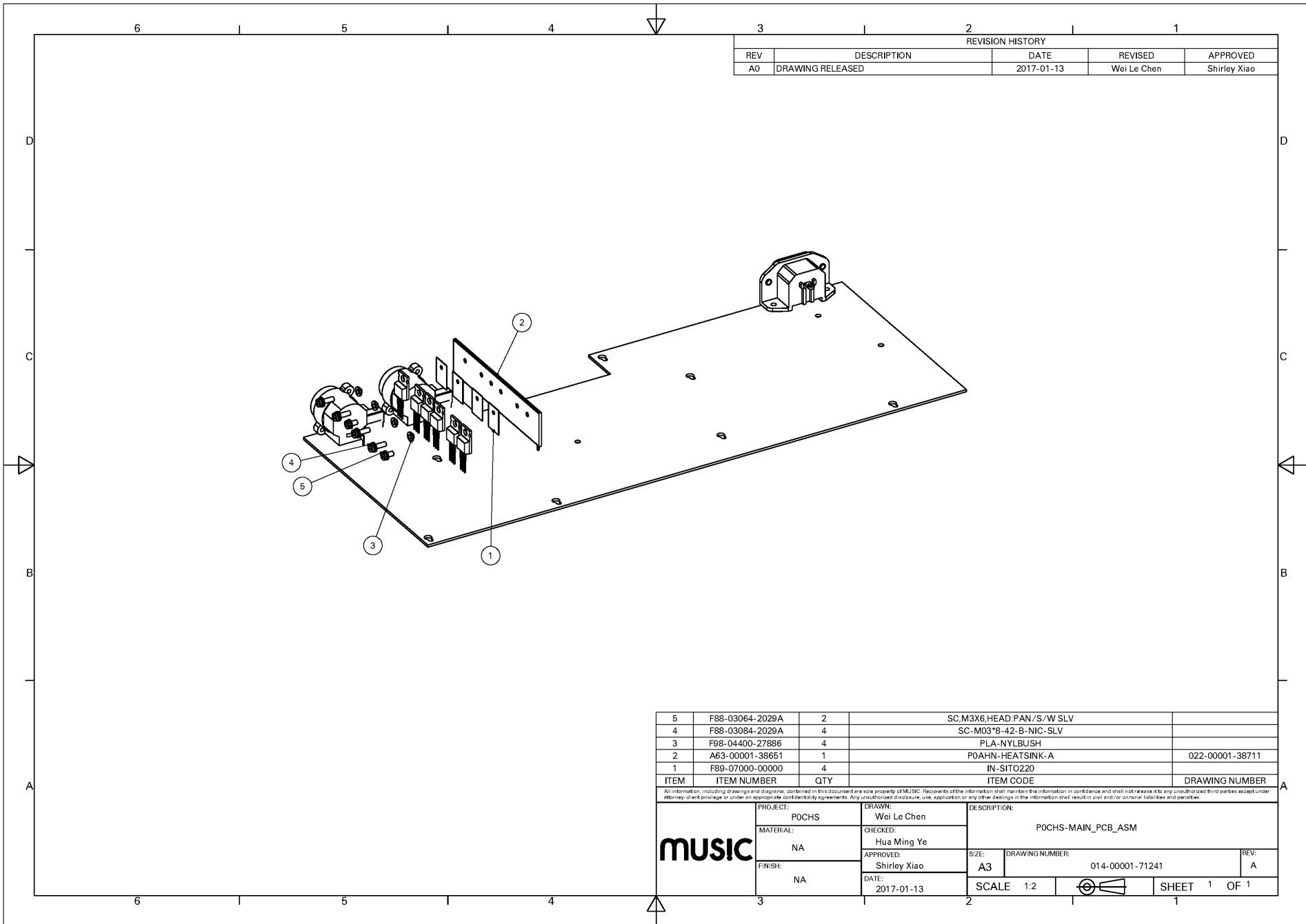
REVISION HISTORY				
REV	DESCRIPTION	DATE	REVISED	APPROVED
A0	DRAWING RELEASED	2016-11-30	GX Wu	Shirley Xiao



ITEM	ITEM NUMBER	QTY	ITEM CODE	DRAWING NUMBER
11	G20-00001-68339	0.25	MASTER CARTON;P0CHV;K=A, 2 PLY, MACA	
10	G26-00001-68340	1	GIFTBOX;P0CHV;250gCCNB + B9C9, EE FLUTE	
9	G25-00001-68346	1	POLYFOAM;P0CHX;REAR TOP	
8	G28-20140-26019	1	PE BAG;SIZE:14in*26in;09 PE;W/WARNING	
7	A54-00001-xxxxx	1	QUICK START GUIDE;P0CHV;WW;REV:001	
6	A76-15212-03119	1	CABLE;AC-CORD;W/POLYBAG;LENGTH:152cm	
5	G28-20090-14010	1	PE BAG;SIZE:9in*14in;W/WARNING	
4	F91-02020-05792	1	SILICA GEL;MASS:20g;SPEC.NO:20QB-BB2001-4	
3	G25-00001-68344	2	POLYFOAM;P0CHX;FRONT	
2	G25-00001-68345	1	POLYFOAM;P0CHX;REAR BOTTOM	
1	A01-CHV01-00000	1	MAIN ASSEMBLY;P0CHV;VERSION:	

All information, including drawings and diagrams, contained in this document are sole property of MUSIC. Recipients of the information shall maintain the information in confidence and shall not release it to any unauthorized third parties except under attorney-client privilege or under an appropriate confidentiality agreement. Any unauthorized disclosure, use, application or any other dealings in the information shall result in civil and/or criminal liabilities and penalties.

	PROJECT:	POCHV	DRAWN:	GX Wu	DESCRIPTION:	P0CHV-PACKAGING ASSEMBLY	
	MATERIAL:	SEE NOTES	CHECKED:	GX Wu	SIZE:	A3	DRAWING NUMBER:
	FINISH:	NA	APPROVED:	Shirley Xiao	DATE:	2016-11-30	014-00001-68337
	SCALE:	1 : 10	DATE:	2016-11-30	REV:	A	

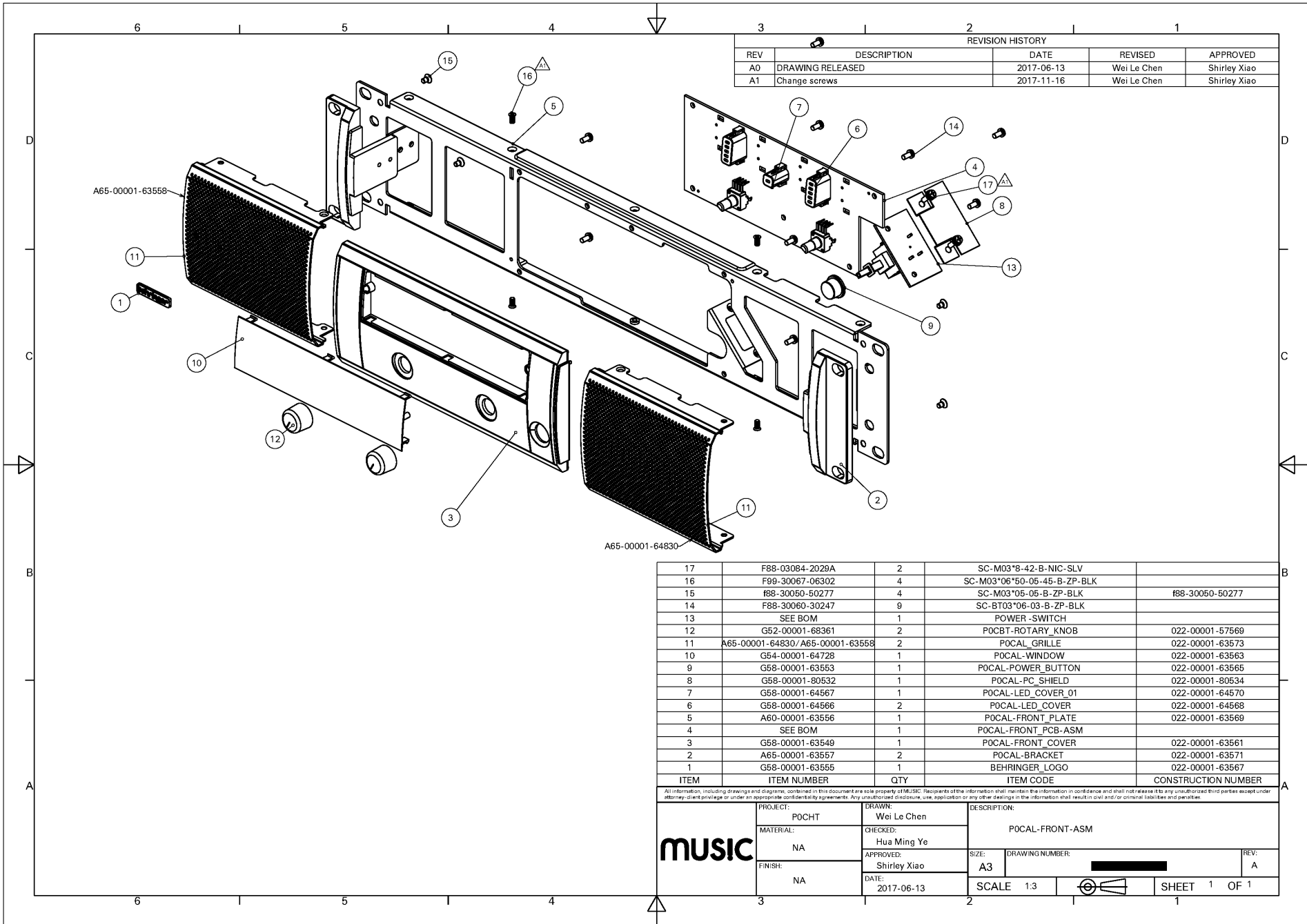


REVISION HISTORY				
REV	DESCRIPTION	DATE	REVISED	APPROVED
A0	DRAWING RELEASED	2017-01-13	Wei Le Chen	Shirley Xiao

5	F88-03064-2029A	2	SC,M3X6,HEAD PAN/S/W SLV	
4	F88-03084-2029A	4	SC-M03*8-42-B-NIC-SLV	
3	F98-04400-27886	4	PLA-NYLBUSH	
2	A63-00001-38651	1	POAHN-HEATSINK-A	022-00001-38711
1	F89-07000-00000	4	IN-SITO220	
ITEM	ITEM NUMBER	QTY	ITEM CODE	DRAWING NUMBER

All information, including drawings and diagrams, contained in this document are sole property of MUSIC. Recipients of the information shall maintain the information in confidence and shall not release it to any unauthorized third parties except under attorney-client privilege or under an appropriate confidentiality agreement. Any unauthorized disclosure, use, application or any other dealings in the information shall result in civil and/or criminal liabilities and penalties.

MUSIC	PROJECT:	POCHS	DRAWN:	Wei Le Chen	DESCRIPTION:					
	MATERIAL:	NA	CHECKED:	Hua Ming Ye				POCHS-MAIN_PCB_ASM		
	FINISH:	NA	APPROVED:	Shirley Xiao	SIZE:	A3	DRAWING NUMBER:			
	DATE:	2017-01-13	SCALE:	1:2			SHEET:	1 OF 1		



REVISION HISTORY				
REV	DESCRIPTION	DATE	REVISED	APPROVED
A0	DRAWING RELEASED	2017-06-13	Wei Le Chen	Shirley Xiao
A1	Change screws	2017-11-16	Wei Le Chen	Shirley Xiao

17	F88-03084-2029A	2	SC-M03*8-42-B-NIC-SLV	
16	F99-30067-06302	4	SC-M03*06*50-05-45-B-ZP-BLK	
15	f88-30050-50277	4	SC-M03*05-05-B-ZP-BLK	f88-30050-50277
14	F88-30060-30247	9	SC-BT03*06-03-B-ZP-BLK	
13	SEE BOM	1	POWER - SWITCH	
12	G52-00001-68361	2	POCBT-ROTARY_KNOB	022-00001-57569
11	A65-00001-64830/A65-00001-63558	2	POCAL_GRILLE	022-00001-63573
10	G54-00001-64728	1	POCAL-WINDOW	022-00001-63563
9	G58-00001-63553	1	POCAL-POWER_BUTTON	022-00001-63565
8	G58-00001-80532	1	POCAL-PC_SHIELD	022-00001-80534
7	G58-00001-64567	1	POCAL-LED_COVER_01	022-00001-64570
6	G58-00001-64566	2	POCAL-LED_COVER	022-00001-64568
5	A60-00001-63556	1	POCAL-FRONT_PLATE	022-00001-63569
4	SEE BOM	1	POCAL-FRONT_PCB-ASM	
3	G58-00001-63549	1	POCAL-FRONT_COVER	022-00001-63561
2	A65-00001-63557	2	POCAL-BRACKET	022-00001-63571
1	G58-00001-63555	1	BEHRINGER_LOGO	022-00001-63567
ITEM	ITEM NUMBER	QTY	ITEM CODE	CONSTRUCTION NUMBER

All information, including drawings and diagrams, contained in this document are sole property of MUSIC. Recipients of the information shall maintain the information in confidence and shall not release it to any unauthorized third parties except under attorney-client privilege or under an appropriate confidentiality agreement. Any unauthorized disclosure, use, application or any other dealings in the information shall result in civil and/or criminal liabilities and penalties.

MUSIC	PROJECT:	POCHT	DRAWN:	Wei Le Chen	DESCRIPTION:	POCAL-FRONT-ASM		
	MATERIAL:	NA	CHECKED:	Hua Ming Ye	SIZE:	A3	DRAWING NUMBER:	[REDACTED]
	FINISH:	NA	APPROVED:	Shirley Xiao	DATE:	2017-06-13	SCALE:	1:3
					REV:	A	SHEET 1 OF 1	



We Hear You