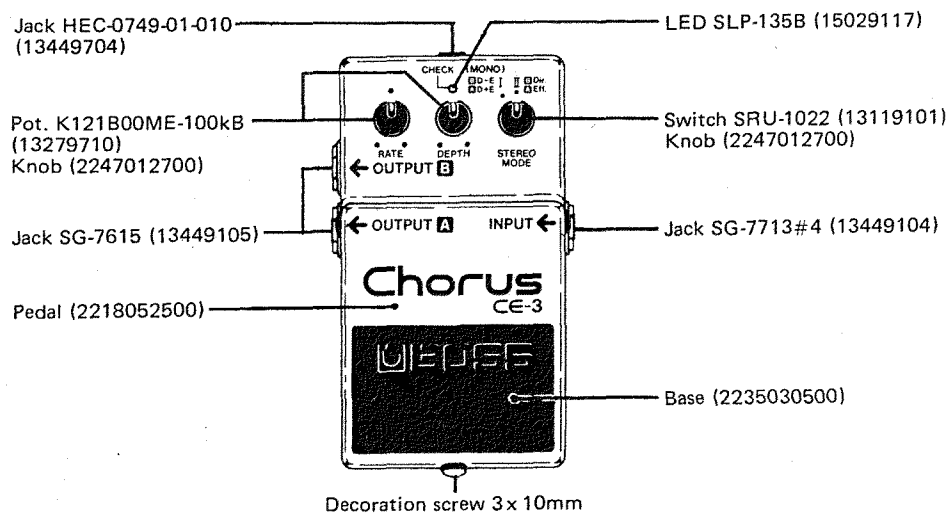
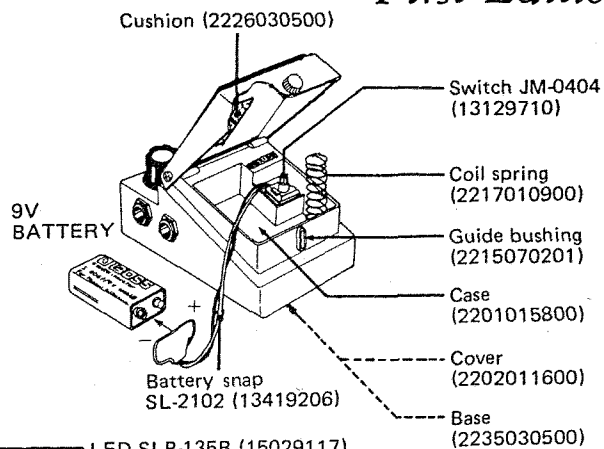


BOSS CE-3 SERVICE NOTES

First Edition

SPECIFICATIONS

- Power 9V DC (Battery or AC adaptor)
- Power Consumption 13mA at 9V
- S/N Ratio better than 90dB (IHF-A)
- Maximum Output Level 0dBm (100Hz), -10dBm (1kHz)
- Input Impedance 1MΩ (FET input)
- Output Load Impedance over 10kΩ
- Dimensions 70(W)x55(H)x125(D)mm (2-3/4" x 2-1/4" x 5")
- Weight 400g (14 oz.)



PARTS LIST

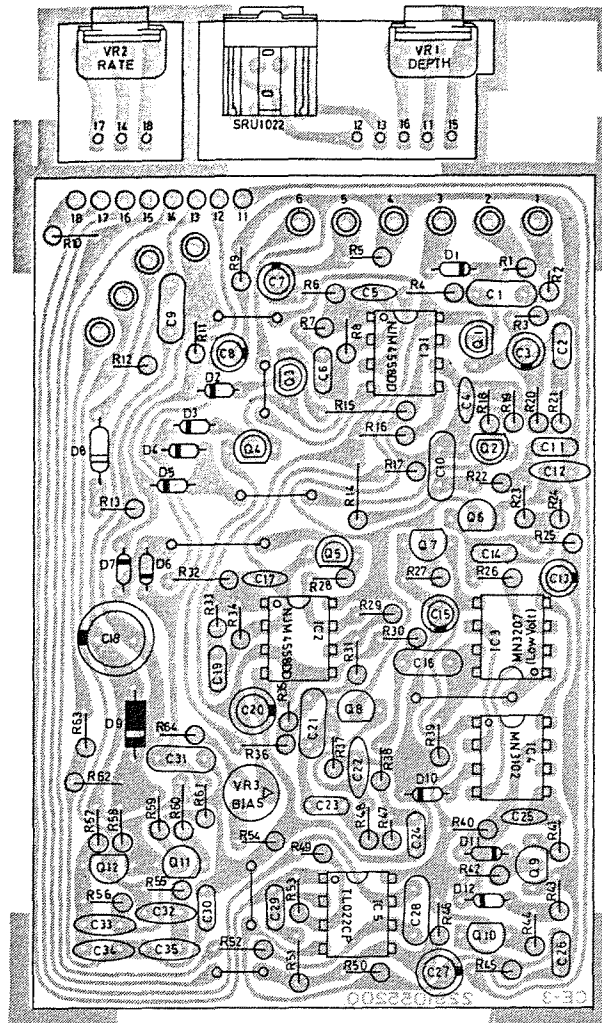
2201015800	Case	light blue metallic
2218052500	Pedal	light blue metallic
2202011600	Cover	bottom
2235030500	Base	bottom
2235030400	Base	pedal matt
2215070201	Guide bushing	
2216050200	Spacer	pcb-bottom cover
2217010900	Coil spring	
2226030500	Cushion	
2247012700	Knob	
2226033300	Battery snap	SL-2102
JACK		
13449104	SG-7713#4	INPUT
13449105	SG-7615	OUTPUT
13449704	HEC-0749-01-010	adaptor
SWITCH		
13129710	JM-0404	key
13119101	SRU-1022	rotary
POTENTIOMETER		
13279710	K121B00ME-100k	RATE, DEPTH
13229140	H0651A-10k	trimmer

PCB		
7522251001	Ass'y ET5222-510	(pcb 2291055200)
	LED mounting	(pcb 2291049600)
IC		
15189102	NJM4558DD	op amp
15189115	TL022CP	op amp
15219211	MN3207	BBD
15219210	MN3102	BBD driver
TRANSISTOR		
15129104	2SC732TM-GR	
15129108	2SC945-P	
15139101	2SK30ATM-Y	FET
DIODE		
15019125	1SS133	
15019209T0	S5500G	
15019526	RD5.6EB-3	zener
15029117	SLP-135B	LED

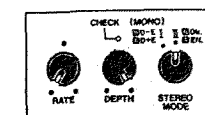
LED.PCB
 10 2291049800 + 470V/100μF + LED
 SN 28770081 2291057800 + TR-2 + LED
 12064308

Printed in Japan BC-2 1

ET5222-510 (7522251001) (pcb 2291055200)



ADJUSTMENT

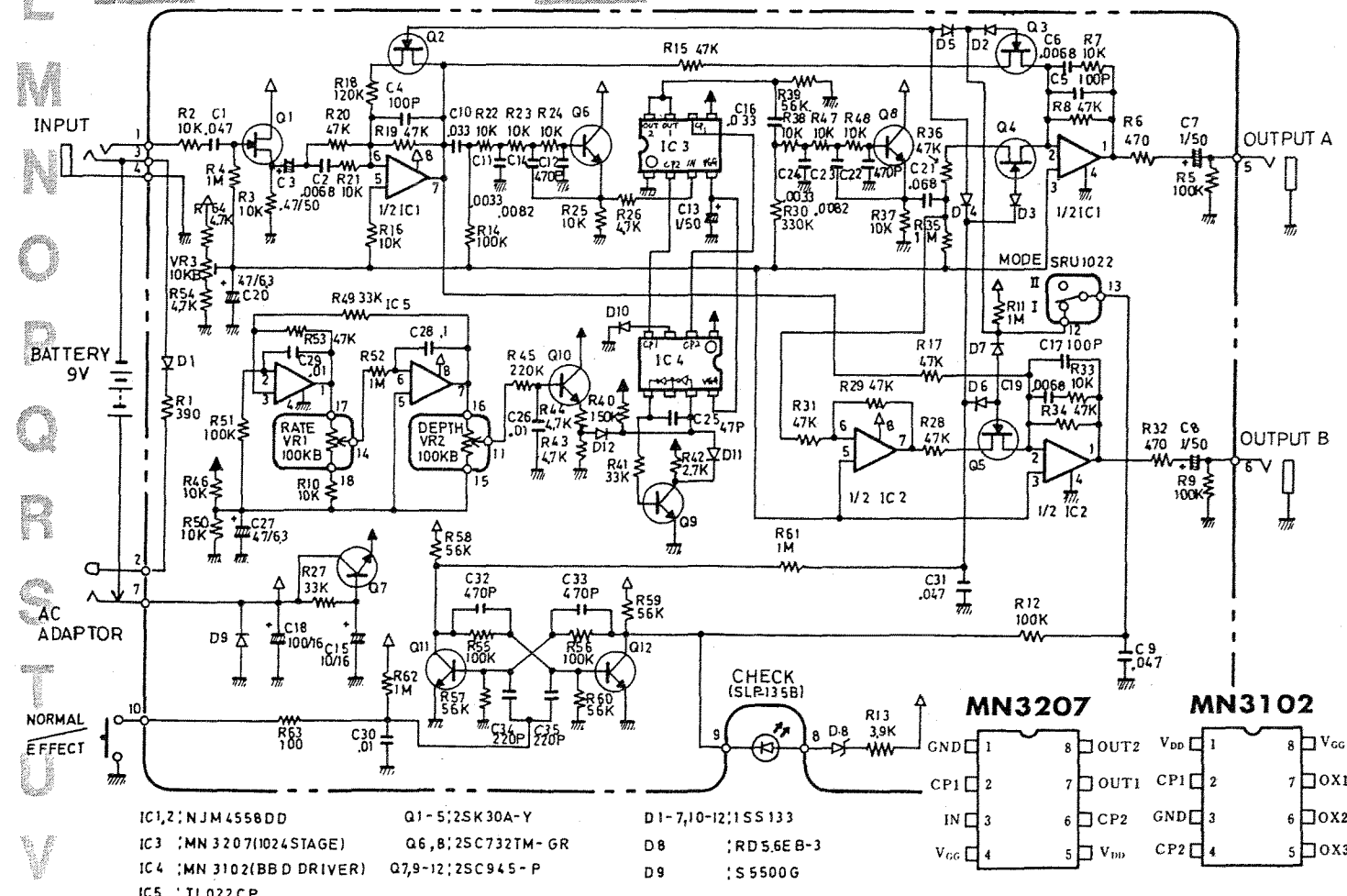
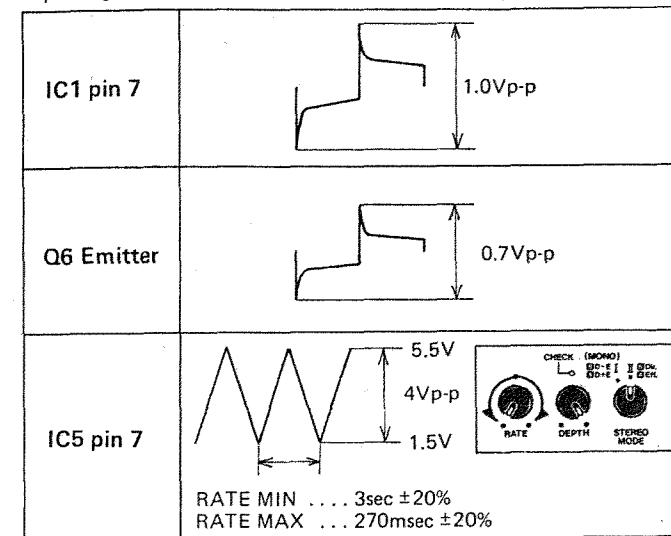


Set controls as shown left. Feed a signal 200Hz, +2dBm, sine into INPUT jack. Connect an oscilloscope to Q8 emitter.

Determine the BBD bias by turning VR-3 to provide a centered operating-point.

WAVEFORMS

Input signal 200mVp-p 200Hz



IC1,2: NJM4558DD	Q1-5: 2SK30A-Y	D1-7,10-12: 1SS133	CP1	2	7	OUT1	CP1	2	7	OX1
IC3: MN3207(1024 STAGE)	Q6,8: 2SC732TM-GR	D8: RD5.6EB-3	IN	3	6	CP2	GND	3	6	OX2
IC4: MN3102(BBD DRIVER)	Q7,9-12: 2SC945-P	D9: S5500G	Vcc	4	5	Vind	CP2	4	5	OX3
IC5: TL022CP										