

ALL PARTS ON THIS SHEET ARE ON MAIN PREAMP BOARD UNLESS OTHERWISE NOTED.

CAUTION:
THIS SCHEMATIC IS PROVIDED FOR USE BY QUALIFIED PERSONNEL. TO AVOID RISK OF ELECTRIC SHOCK, REFER SERVICING TO QUALIFIED SERVICE PERSONNEL. DO NOT PERFORM ANY SERVICING BEYOND THAT EXPLAINED IN THE OPERATING INSTRUCTIONS.

NOTES:
1) CAUTION: SHOCK HAZARD!! THIS UNIT CONTAINS HAZARDOUS VOLTAGE. DISCONNECT POWER AND BE SURE POWER SUPPLY IS DISCHARGED BEFORE TOUCHING INTERNAL PARTS.
2) UNLESS NOTED, RESISTOR VALUES IN OHMS, 1/4W-5% TOL. CAPACITOR VALUES IN MICROFARADS, 50V-10% TOL.
3) VOLTAGES ARE MEASURED WITH 1 MEGOHM OSCILLOSCOPE AND 10 MEGOHM DIGITAL VOLTMETER.

Power Table			
RefDes	Part Number	+16V	-16V
IC1	37-072-01	8	4
IC2	37-072-01	8	4
IC3	37-072-01	8	4
IC4	37-072-01	8	4
IC5	37-072-01	8	4

TEST POINT CONDITIONS
 1] CONDITION 'A' : 'SOLO' SELECTED, GAIN 1 @ 10, 'SHAPE' @ 5, LEVEL @ 10, 1kHz 40mV SINE WAVE INPUT
 2] CONDITION 'B' : RHYTHM SELECTED GAIN 2 @ 10, LOW & HIGH @ 5, LEVEL @ 10, 1kHz 40mV SINE WAVE INPUT
 3] CONDITION 'C' : CLEAN, LEVEL @ 10, LOW, MID, HIGH @ 5 1kHz 130mV SINE WAVE INPUT

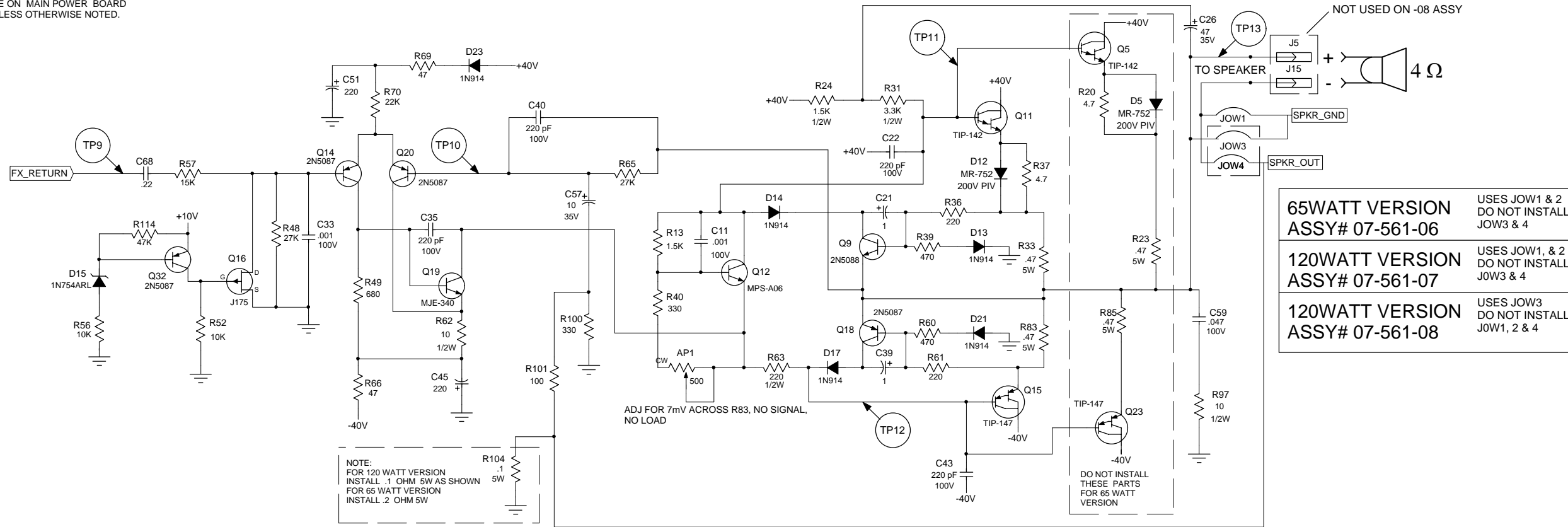
TP	CONDITION 'A'	CONDITION 'B'	CONDITION 'C'
1			
2			
3			
4			
5			
6			
7			
8			

REV	Date	DESCRIPTION	Ecr(s)/Ecn(s)	Chgd By	Appvd by	Date
5	01/23/04	VALUE CHANGES		N01346	WFB	
4	10/23/03	INCORPORATED ECN, UPDATED & REDRAWN DRAWING		N01246, N01249	REM	

THE INFORMATION CONTAINED ON THIS DRAWING IS PROPRIETARY TO ST. LOUIS MUSIC, INC.

Signatures:		Date:
Drawn: REM		4/11/01
Checked:		
Released:		
Plot Date: Fri Jan 23, 2004	Drawing Size: C	Drawing Title: PWA - GUITAR AMP
Plot Time: 09:54:40	Drawing Type: Schematic	Drawing Number: 07S561
Tolerance:	Class Code: NONE	
	Sheet 1 of 3	

ALL PARTS ON THIS SHEET ARE ON MAIN POWER BOARD UNLESS OTHERWISE NOTED.



65WATT VERSION
ASSY# 07-561-06
 USES JOW1 & 2
 DO NOT INSTALL
 JOW3 & 4

120WATT VERSION
ASSY# 07-561-07
 USES JOW1, & 2
 DO NOT INSTALL
 JOW3 & 4

120WATT VERSION
ASSY# 07-561-08
 USES JOW3
 DO NOT INSTALL
 JOW1, 2 & 4

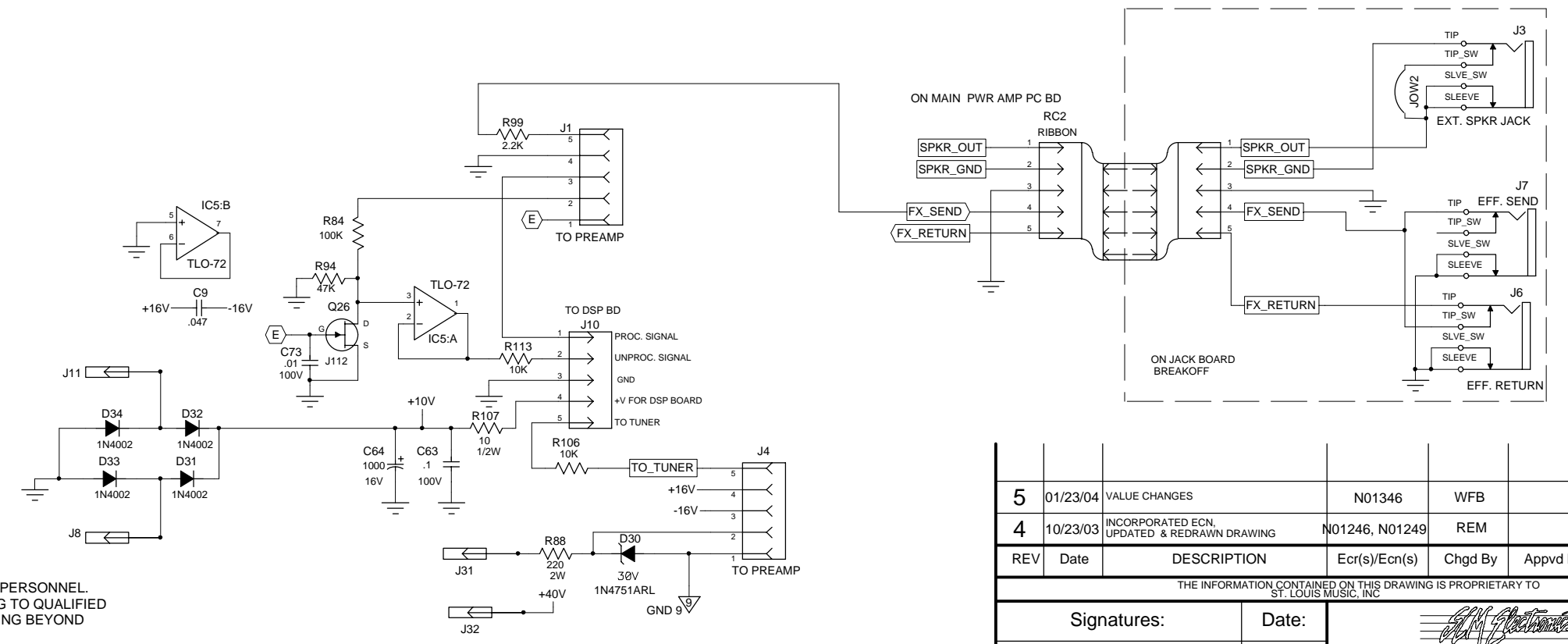
NOTE:
 FOR 120 WATT VERSION
 INSTALL .1 OHM 5W AS SHOWN
 FOR 65 WATT VERSION
 INSTALL .2 OHM 5W

ADJ FOR 7mV ACROSS R83, NO SIGNAL,
 NO LOAD

DO NOT INSTALL
 THESE PARTS
 FOR 65 WATT
 VERSION

TEST POINT CONDITIONS
 FOR POWER AMP:
 1kHz SINE WAVE INPUT INTO
 INSERT TIP, 4 OHM LOAD

TP	AC	DC
9	1Vpp	0V
10	.65Vpp	.23V
11	32.5Vpp	1.3V
12	32.5Vpp	-.06V
13	30Vpp	0V
14	1.5Vpp RIPPLE	35V
15	1.5Vpp RIPPLE	-35V



CAUTION:
 THIS SCHEMATIC IS PROVIDED FOR USE BY QUALIFIED PERSONNEL.
 TO AVOID RISK OF ELECTRIC SHOCK, REFER SERVICING TO QUALIFIED
 SERVICE PERSONNEL. DO NOT PERFORM ANY SERVICING BEYOND
 THAT EXPLAINED IN THE OPERATING INSTRUCTIONS.

NOTES:
 1) CAUTION: SHOCK HAZARD!!
 THIS UNIT CONTAINS HAZARDOUS VOLTAGE. DISCONNECT POWER
 AND BE SURE POWER SUPPLY IS DISCHARGED BEFORE
 TOUCHING INTERNAL PARTS.
 2) UNLESS NOTED, RESISTOR VALUES IN OHMS, 1/4W-5% TOL.
 CAPACITOR VALUES IN MICROFARADS, 50V-10% TOL.
 3) VOLTAGES ARE MEASURED WITH 1 MEGOHM OSCILLOSCOPE
 AND 10 MEGOHM DIGITAL VOLTMETER.

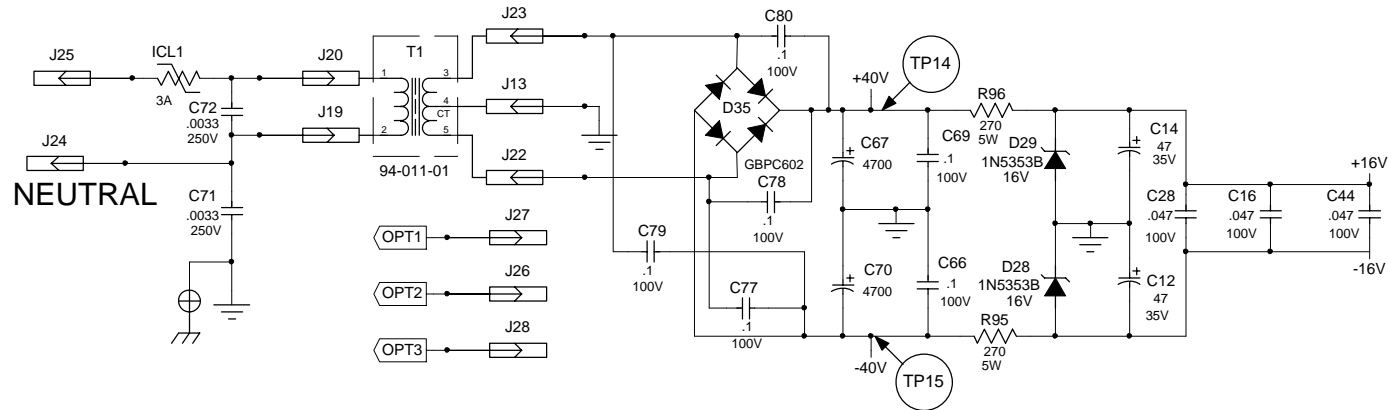
REV	Date	DESCRIPTION	Ecr(s)/Ecn(s)	Chgd By	Appvd by	Date
5	01/23/04	VALUE CHANGES	N01346	WFB		
4	10/23/03	INCORPORATED ECN, UPDATED & REDRAWN DRAWING	N01246, N01249	REM		

THE INFORMATION CONTAINED ON THIS DRAWING IS PROPRIETARY TO
 ST. LOUIS MUSIC, INC.

Signatures:	Date:	 11880 Borman Drive, St. Louis, MO 63146
Drawn: REM	4/11/01	
Checked:		First Used On:
Released:		
Plot Date: Fri Jan 23, 2004	Drawing Size: C	Drawing Title: PWA - GUITAR AMP
Plot Time: 09:54:40	Drawing Type: Schematic	Drawing Number: 07S561
Tolerance:	Class Code: NONE	Sheet 2 of 3

ALL PARTS IN THIS SECTION
ARE ON MAIN POWER BOARD

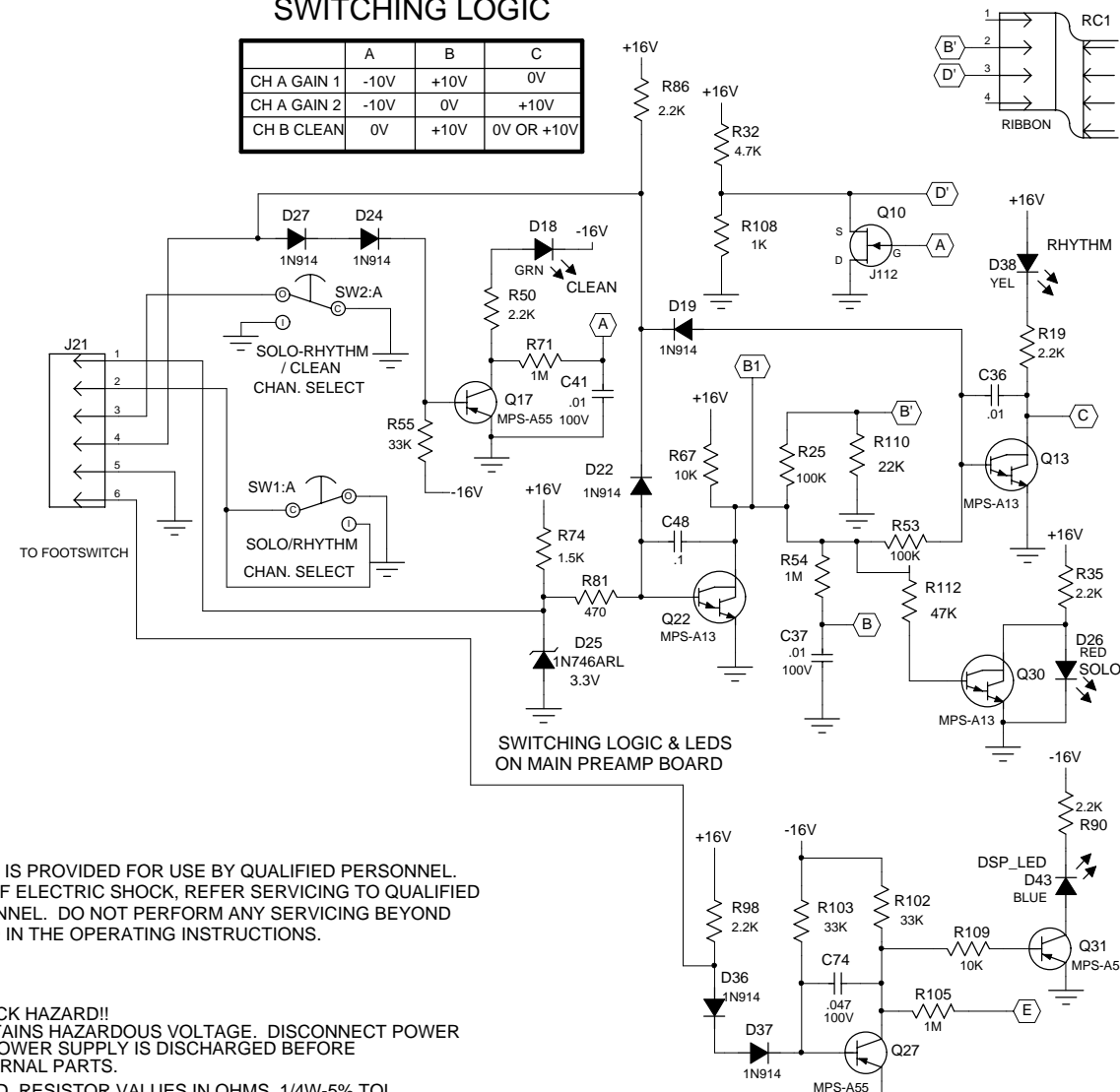
POWER SUPPLY CKT



ALL PARTS IN THIS SECTION
ARE ON PREAMP BOARD

SWITCHING LOGIC

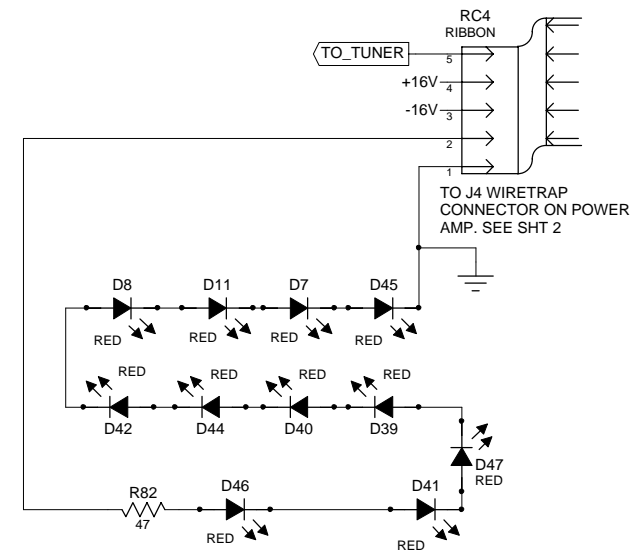
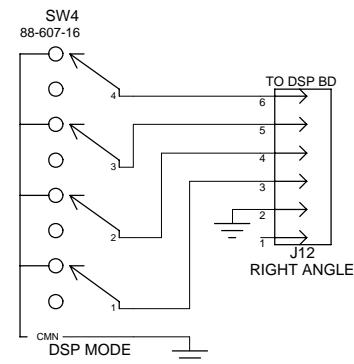
	A	B	C
CH A GAIN 1	-10V	+10V	0V
CH A GAIN 2	-10V	0V	+10V
CH B CLEAN	0V	+10V	0V OR +10V



SWITCHING LOGIC & LEDS
ON MAIN PREAMP BOARD

CAUTION:
THIS SCHEMATIC IS PROVIDED FOR USE BY QUALIFIED PERSONNEL.
TO AVOID RISK OF ELECTRIC SHOCK, REFER SERVICING TO QUALIFIED
SERVICE PERSONNEL. DO NOT PERFORM ANY SERVICING BEYOND
THAT EXPLAINED IN THE OPERATING INSTRUCTIONS.

- NOTES:
- 1) CAUTION: SHOCK HAZARD!!
THIS UNIT CONTAINS HAZARDOUS VOLTAGE. DISCONNECT POWER
AND BE SURE POWER SUPPLY IS DISCHARGED BEFORE
TOUCHING INTERNAL PARTS.
 - 2) UNLESS NOTED, RESISTOR VALUES IN OHMS, 1/4W-5% TOL.
CAPACITOR VALUES IN MICROFARADS, 50V-10% TOL.
 - 3) VOLTAGES ARE MEASURED WITH 1 MEGOHM OSCILLOSCOPE
AND 10 MEGOHM DIGITAL VOLTMETER.



REV	Date	DESCRIPTION	Ecr(s)/Ecn(s)	Chgd By	Appvd by	Date
5	01/23/04	VALUE CHANGES	N01346	WFB		
4	10/23/03	INCORPORATED ECN, UPDATED & REDRAWN DRAWING	N01246, N01249	REM		

THE INFORMATION CONTAINED ON THIS DRAWING IS PROPRIETARY TO
ST. LOUIS MUSIC, INC

Signatures:		Date:
Drawn: REM		4/11/01
Checked:		
Released:		
Plot Date: Fri Jan 23, 2004	Drawing Size: C	Drawing Title: PWA - GUITAR AMP
Plot Time: 09:54:41	Drawing Type: Schematic	Drawing Number: 07S561
Tolerance:	Class Code: NONE	
	Sheet 3 of 3	