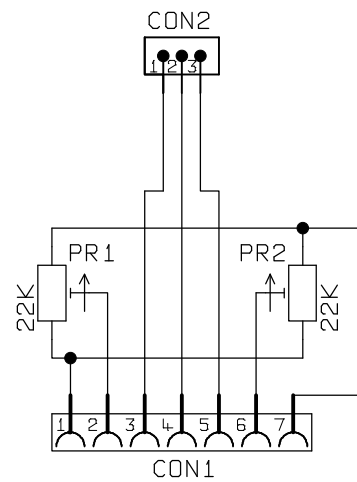





ignorelayers.7

DWG.No. JCM2-64-00.DGM

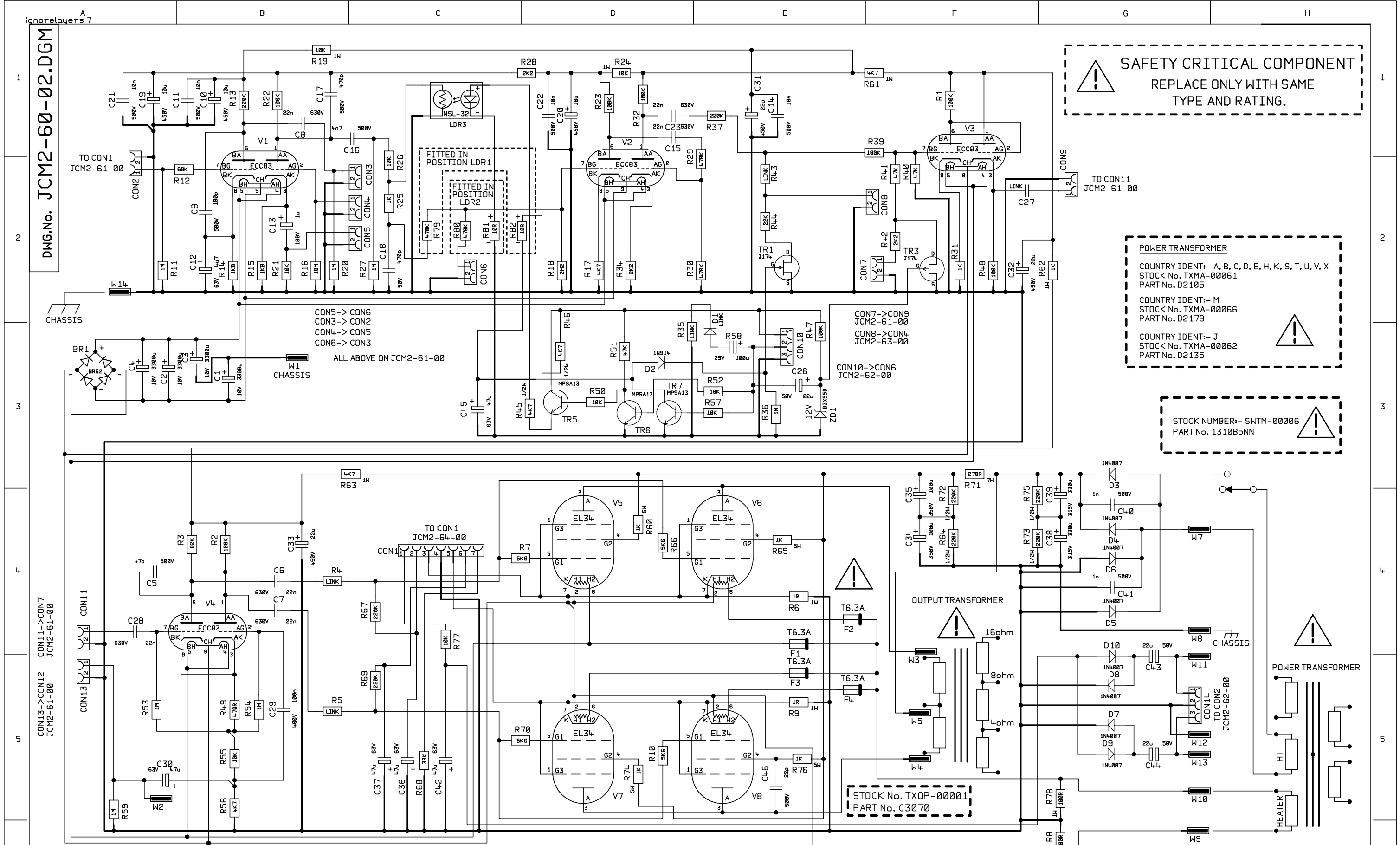


CON1->CON11  
JCM2-60-00

			ALL OTHER HOLES =				X = (THROUGH PLATED)				MATERIAL		DIMENSIONS IN		 TITLE JCM2000 SUPER LEAD STANDARD BIAS BOARD	
			A	E	J	N	MATERIAL THICKNESS		TOLERANCE (UNLESS OTHERWISE STATED)							
			B	F	K	P	DRAWN SG	DATE 28-12-96	MODEL JCM2000		© MARSHALL AMPLIFICATION PLC DENBIGH ROAD, BLETCHLEY, MILTON KEYNES, MK1 1DG. TEL (01908) 375411 FAX (01908) 376118					
			C	G	L	Q	CHECKED	DATE								
			D	H	M	R	APPROVED	DATE			DWG.No JCM2-64-00.DGM		ISS 1			

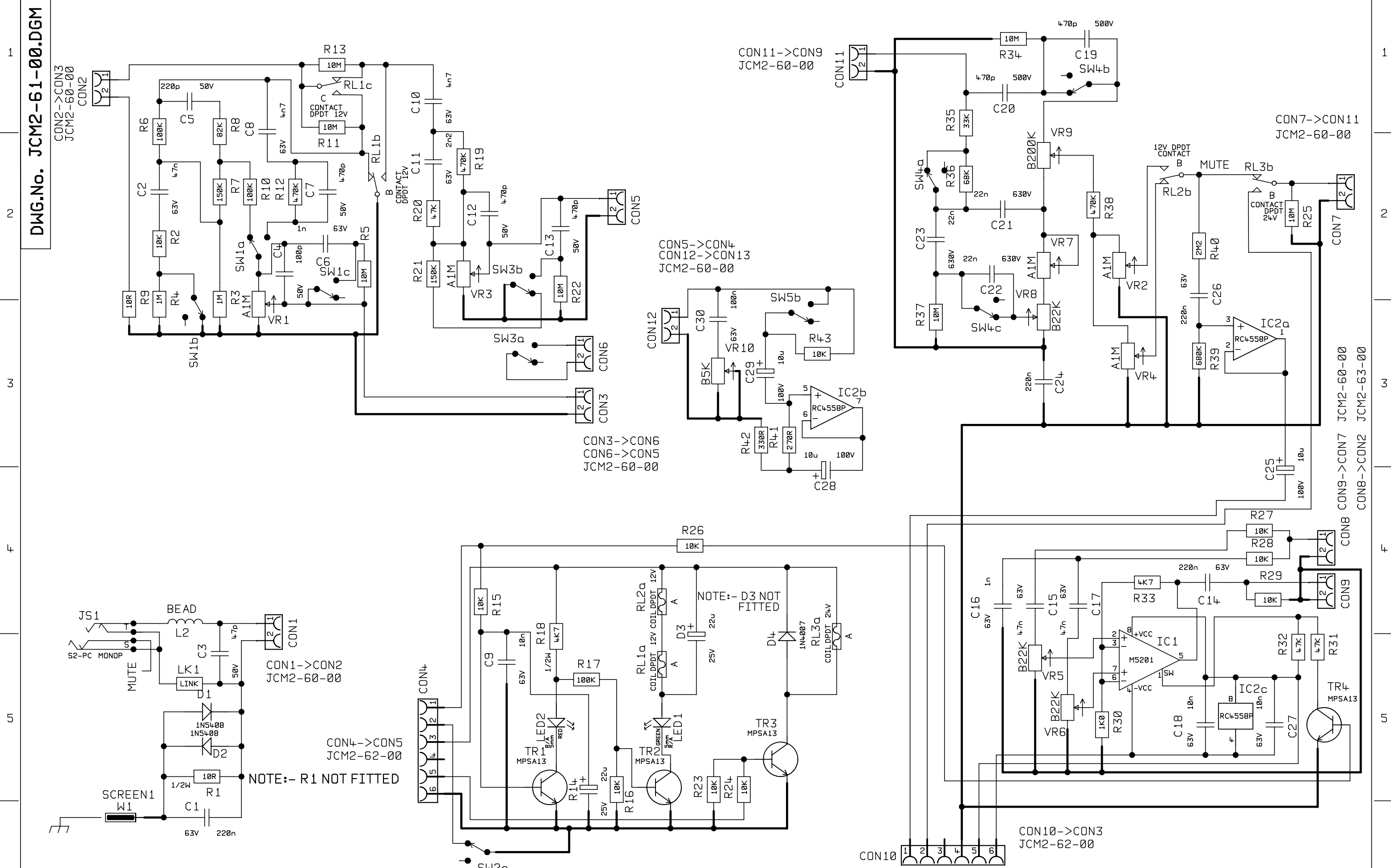
	A	B	C	D	E	F	G	H
1								
2								
3								
F								
5								
6								

DWG.No. JCM2-60-02.DGM



THIS CIRCUIT IS FOR PARTS LIST PURPOSES ONLY.  
SCHEMATIC JCM2-68-02.DGM SHOULD BE USED FOR RATS NEST PURPOSES.

7		2018	2-8-01	ALL OTHER HOLES =				X = (THROUGH PLATED)				MATERIAL		DIMENSIONS IN		<p>© MARSHALL AMPLIFICATION PLC DENBIGH ROAD, BLETCHLEY, MILTON KEYNES, MK1 1DQ. TEL (01908) 375411 FAX (01908) 376118</p>	TITLE		JCM2000 SUPERLEAD STANDARD	
6		1999	29/05/01	A	E	J	N	MATERIAL THICKNESS		TOLERANCE (UNLESS OTHERWISE STATED)		DRAWN		DATE			DWG.No.		JCM2-60-02.DGM	
5		1565	14/9/98	B	F	K	P	S.G		19/3/97		CHECKED		DATE			ISS		7	
ISS		ECO NUMBER	DATE	C	G	L	Q	APPROVED		DATE		MODEL		DSL100						
				D	H	M	R													

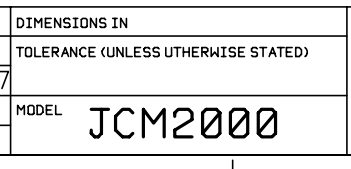


DWG.No. JCM2-61-00.DGM

5	1999	29/05/01	ALL OTHER HOLES =				X = (THROUGH PLATED)			
4	1786	16-3-99	A	E		J	N			
3	1553	15/12/97	B	F		K	P			
2	1502	1/10/97	C	G		L	Q			
ISS	ECO NUMBER	DATE	D	H		M	R			

MATERIAL		DIMENSIONS IN	
MATERIAL THICKNESS		TOLERANCE (UNLESS OTHERWISE STATED)	
DRAWN	SG	DATE	24_2_97
CHECKED		DATE	
APPROVED		DATE	

MODEL		JCM2000	
-------	--	---------	--



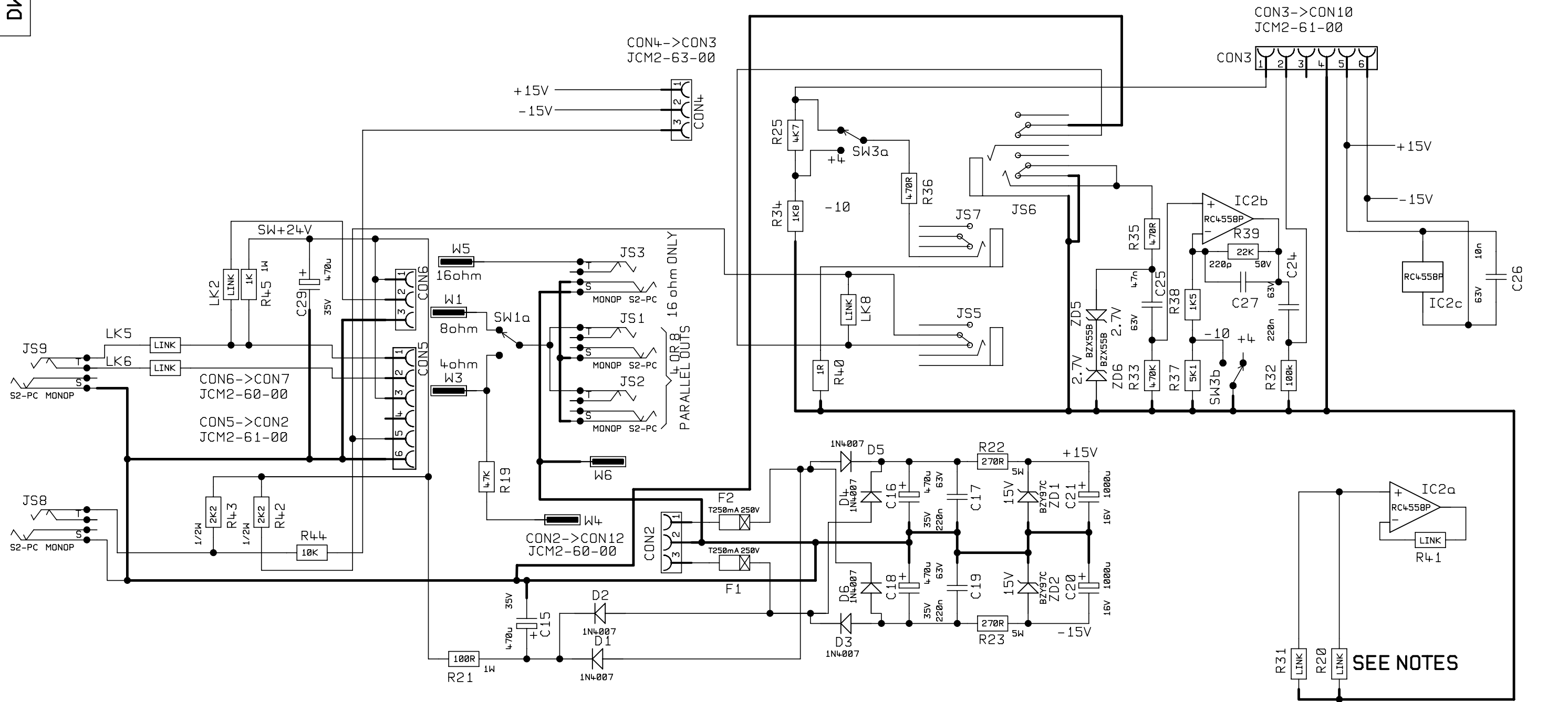
© MARSHALL AMPLIFICATION PLC  
 DENBIGH ROAD, BLETCHLEY, MILTON KEYNES, MK1 1DQ.  
 TEL (01908) 375411 FAX (01908) 376118

TITLE	JCM2000
	SUPERLEAD STANDARD
DWG.No	JCM2-61-00.DGM
ISS	5

DWG.No. JCM2-62-02.DGM

**NOTES**

JS5 NOT FITTED  
 WIRE LINKS TO BE FITTED:- LK2, LK5, LK6, LK8  
 WIRE LINKS TO BE OMMITTED:- LK1, LK3, LK4, LK7  
 R20 NOT FITTED



**GENERIC PCB JCM2-62-00.ART**  
 SEE JCM2-69-00.DGM FOR DESIGN SCHEMATIC  
 ALL OTHER DESIGNATIONS (EXCEPT REQUIRED LINKS) SHOULD BE UNFILLED

3	1999	29/05/01	ALL OTHER HOLES =				X = (THROUGH PLATED)			
2	1466	1/8/97	A	E	J	N				
1	PRODUCTION	20/6/97	B	F	K	P				
ISS	ECO NUMBER	DATE	C	G	L	Q				
			D	H	M	R				

MATERIAL		DIMENSIONS IN	
MATERIAL THICKNESS		TOLERANCE (UNLESS OTHERWISE STATED)	
DRAWN SG	DATE 25-2-97		
CHECKED	DATE	MODEL	
APPROVED	DATE	DSL100/DSL50	



TITLE	JCM2000
	REAR OUTPUT PCB SCHEMATIC
DWG.No	JCM2-62-02.DGM
ISS	3