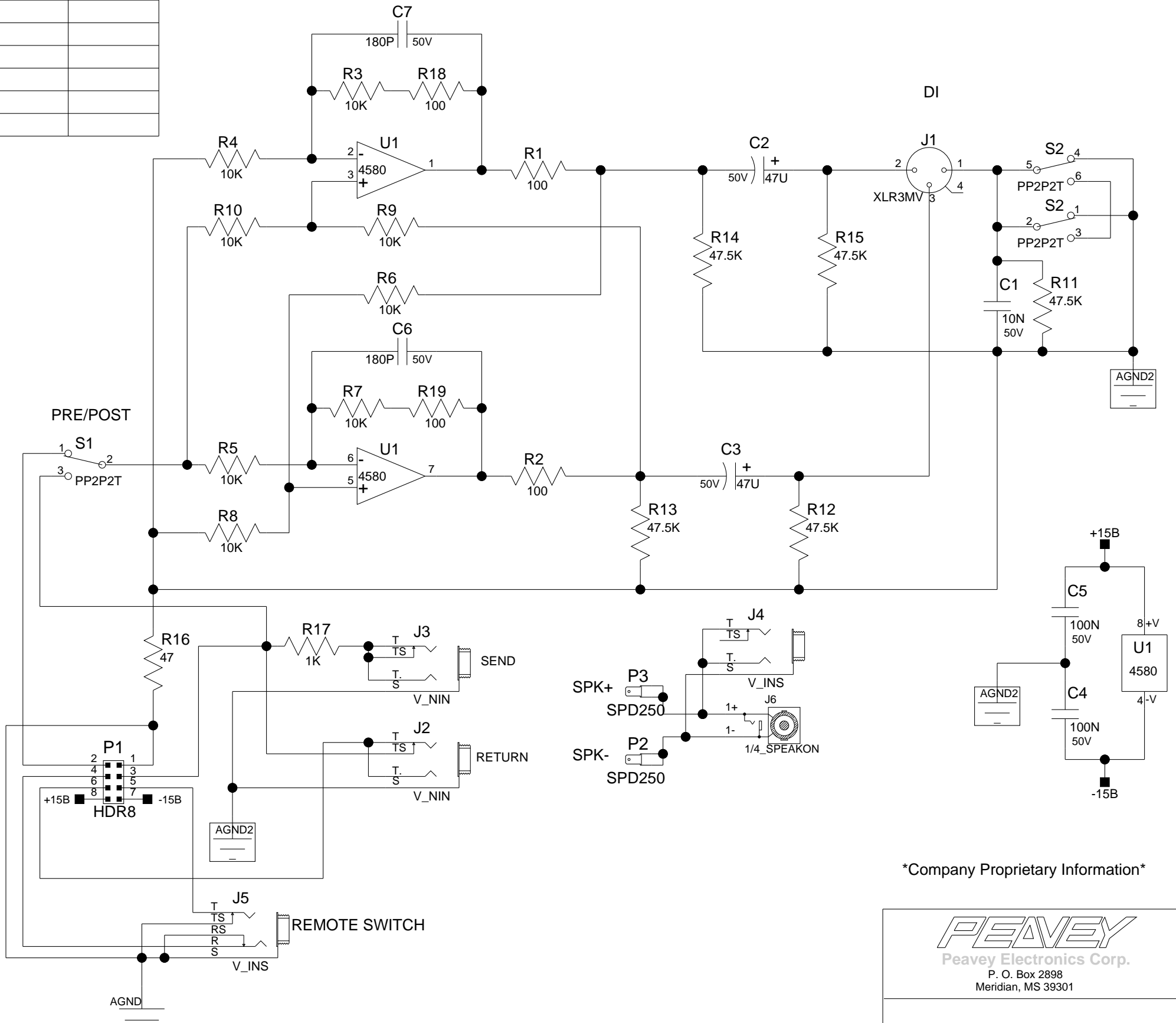
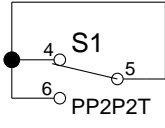


REV	Eng	Date:	Revision Description	ECN#
A				
B				
C				
D				
E				
F				

### INDEX

SHEET	DESCRIPTION



Note: All thru hole Resistors are 1/4 Watt unless otherwise indicated.  
 All SMT 1206 Resistors are 1/4 Watt.  
 All SMT 0805 Resistors are 1/10 Watt.  
 Note Capacitor Values are indicated as Follows:  
 val P = pF (picoFarads) val \* 10 exp-12  
 val N = nF (nanoFarads) val \* 10 exp-9 (1N=1000pF, 100N=0.1uF)  
 val U = uF (microFarads) val \* 10 exp-6

Patents:  
 Copyright Peavey Electronics Corporation 2008.

\*Company Proprietary Information\*

Product: **HEAD\_PATCH**  
 Project Number:  
 Eng: RBB | Release Date:  
 Sheet 1 of 1 | Saved: 7-18-2013\_10:08