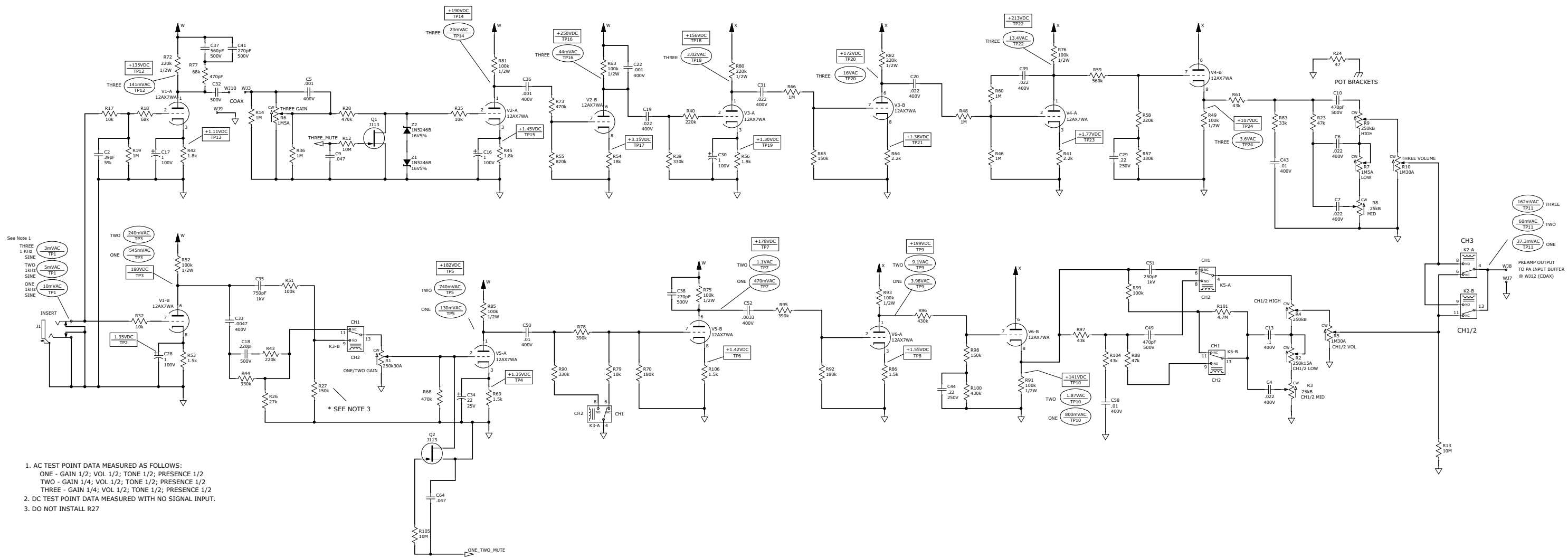


REVISIONS			
REV.	DESCRIPTION	DATE	APPROVED
A	PR1045	19-AUG-11	H B K
B	EC4924	27-SEP-11	H B K
C	EC4993	06-MAR-12	H B K
D	EC5047	07-MAY-12	H B K



See Note 1
THREE 1 kHz SINE
TWO 1 kHz SINE
ONE 1 kHz SINE

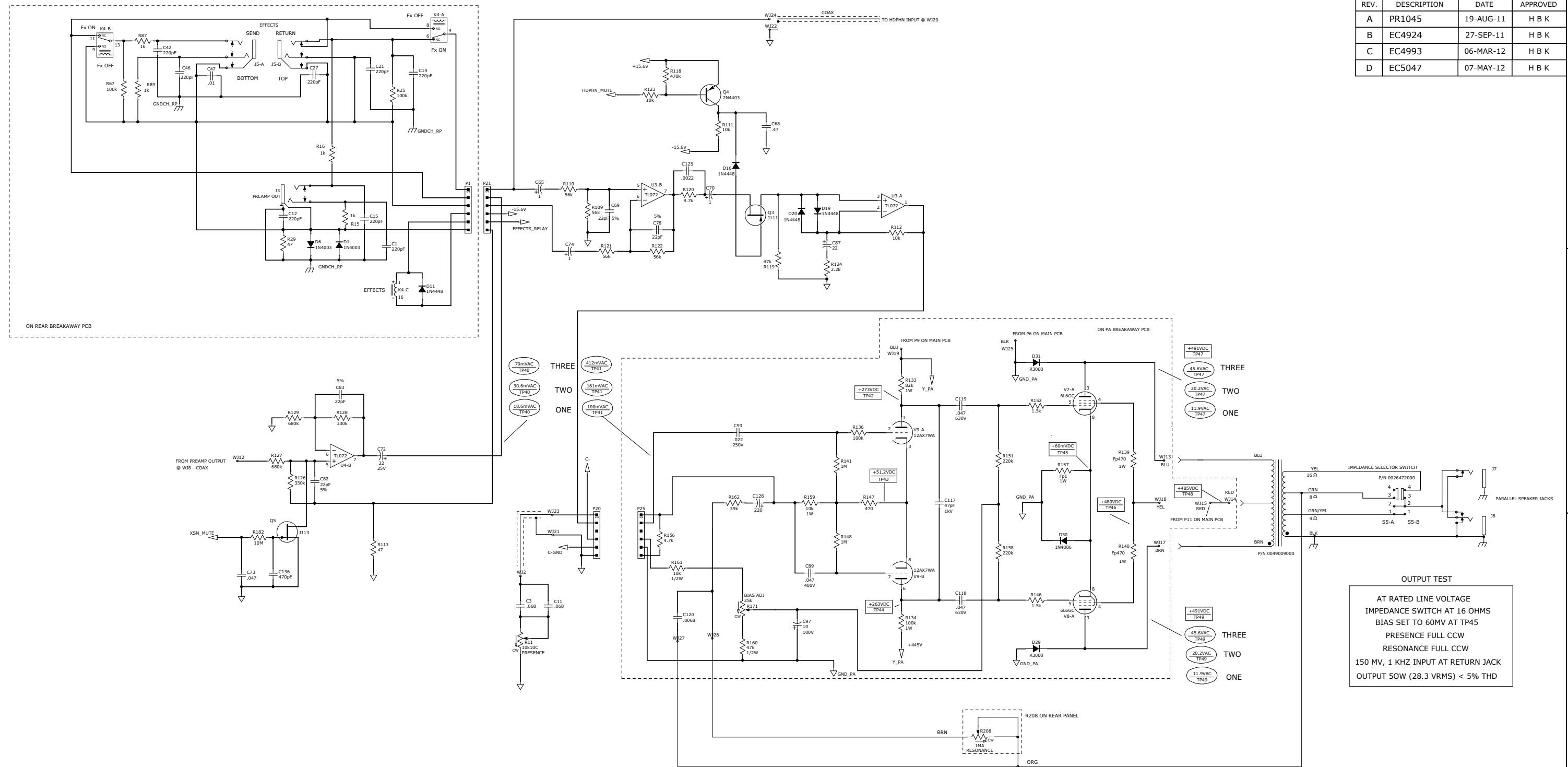
- AC TEST POINT DATA MEASURED AS FOLLOWS:
ONE - GAIN 1/2; VOL 1/2; TONE 1/2; PRESENCE 1/2
TWO - GAIN 1/4; VOL 1/2; TONE 1/2; PRESENCE 1/2
THREE - GAIN 1/4; VOL 1/2; TONE 1/2; PRESENCE 1/2
- DC TEST POINT DATA MEASURED WITH NO SIGNAL INPUT.
- DO NOT INSTALL R27

- DO NOT STUFF
- THIS SCHEMATIC IS FOR PCB FABRICATION P/N 0079091000 AND PCB ASSEMBLY P/N 0079090000.
- ALL DIODES ARE 1N4448.
- ALL POLARIZED CAPACITORS IN uF, 20%, 50V MINIMUM.
- ALL UNPOLARIZED CAPACITORS IN uF, 10% OR BETTER; 50V MINIMUM. (POWER SUPPLY BYPASS CAPACITORS ARE 20%).
- ALL RESISTORS IN OHMS, 5%; 1/4W.

NOTES: (UNLESS OTHERWISE NOTED)

THIS DOCUMENT CONTAINS INFORMATION OF A PROPRIETARY NATURE TO FENDER MUSICAL INSTRUMENTS AND IS SUBMITTED TO YOU IN CONFIDENCE AND SHALL NOT BE DISCLOSED OR TRANSMITTED TO OTHERS WITHOUT AUTHORIZATION FROM FENDER MUSICAL INSTRUMENTS.		Fender MUSICAL INSTRUMENTS Corona, CA U.S.A.	
CHECKED BY: _____	DATE: _____	TITLE: SERVICE DIAGRAM, COMBINED (schematic) EVH 5150 III 50W MAIN PCB ASSY	
APPROVED BY: _____	DATE: _____	SIZE: D	DRAWING NUMBER: 0079092000
DRAWN: H.KAPLAN	ENGR: H.KAPLAN	RELEASE DATE: 09-SEP-11	REV. D
DATABASE FILE: Z1045S1.SCH		SHEET: 1 OF 5	

REVISIONS			
REV.	DESCRIPTION	DATE	APPROVED
A	PR1045	19-AUG-11	H B K
B	EC4924	27-SEP-11	H B K
C	EC4993	06-MAR-12	H B K
D	EC5047	07-MAY-12	H B K



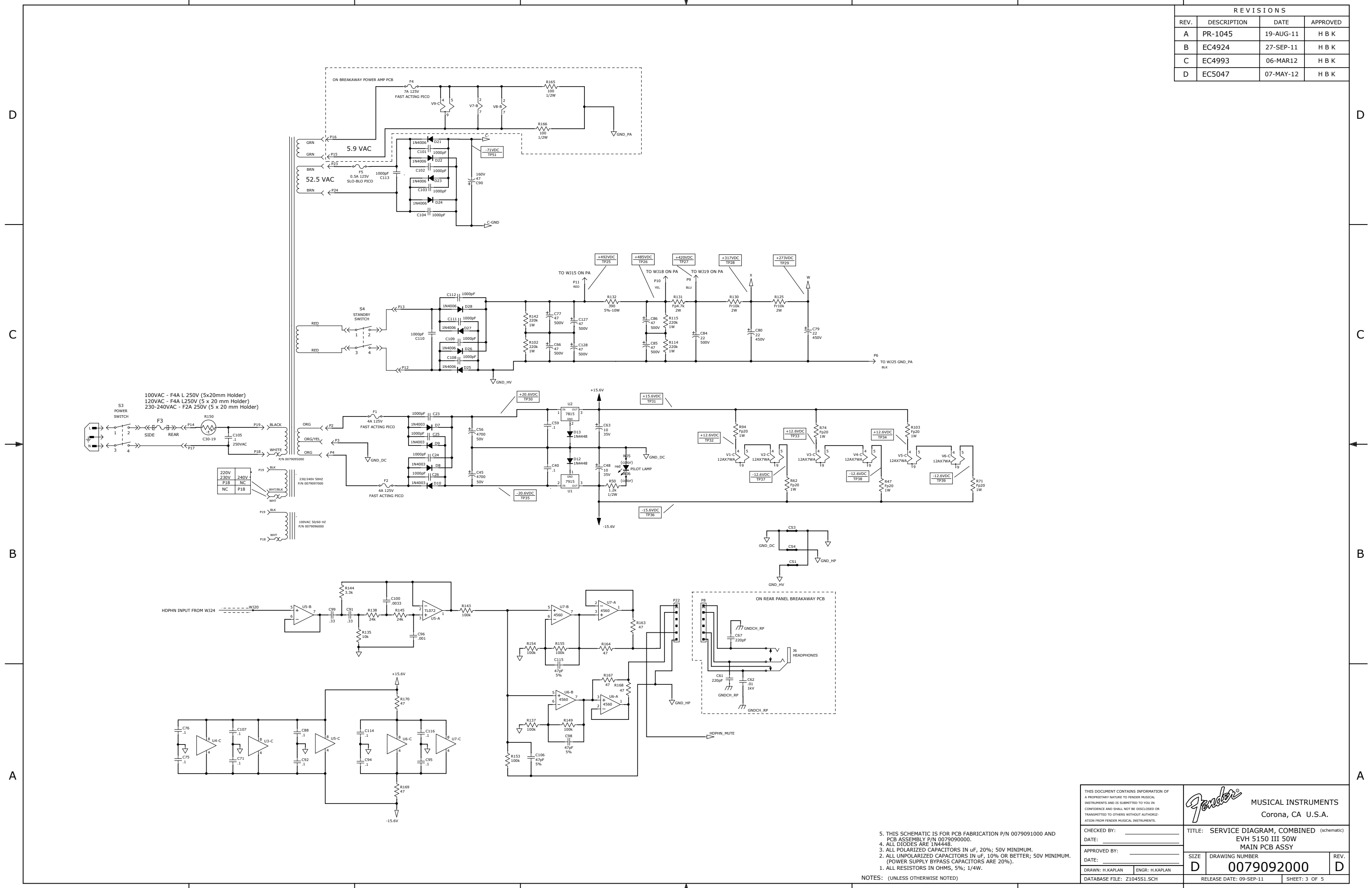
OUTPUT TEST
 AT RATED LINE VOLTAGE
 IMPEDANCE SWITCH AT 16 OHMS
 BIAS SET TO 60MV AT TP45
 PRESENCE FULL CCW
 RESONANCE FULL CCW
 150 MV, 1 KHZ INPUT AT RETURN JACK
 OUTPUT 50W (28.3 VRMS) < 5% THD

- THIS SCHEMATIC IS FOR PCB FABRICATION P/N 0079091000 AND PCB ASSEMBLY P/N 0079090000.
- ALL DIODES ARE 1N4448.
- ALL POLARIZED CAPACITORS IN uF, 20%; 50V MINIMUM.
- ALL UNPOLARIZED CAPACITORS IN uF, 10% OR BETTER; 50V MINIMUM. (POWER SUPPLY BYPASS CAPACITORS ARE 20%).
- ALL RESISTORS IN OHMS, 5%; 1/4W.

NOTES: (UNLESS OTHERWISE NOTED)

THIS DOCUMENT CONTAINS INFORMATION OF A PROPRIETARY NATURE TO FENDER MUSICAL INSTRUMENTS AND IS SUBMITTED TO YOU IN CONFIDENCE AND SHALL NOT BE DISCLOSED OR TRANSMITTED TO OTHERS WITHOUT AUTHORIZATION FROM FENDER MUSICAL INSTRUMENTS.		MUSICAL INSTRUMENTS Corona, CA U.S.A.	
CHECKED BY: _____	DATE: _____		
APPROVED BY: _____	DATE: _____	SIZE: D	DRAWING NUMBER: 0079092000
DRAWN: H.KAPLAN	ENGR: H.KAPLAN	RELEASE DATE: 09-SEP-11	REV. D
DATABASE FILE: Z104551.SCH		SHEET: 2 OF 5	

REVISIONS			
REV.	DESCRIPTION	DATE	APPROVED
A	PR-1045	19-AUG-11	H B K
B	EC4924	27-SEP-11	H B K
C	EC4993	06-MAR12	H B K
D	EC5047	07-MAY-12	H B K

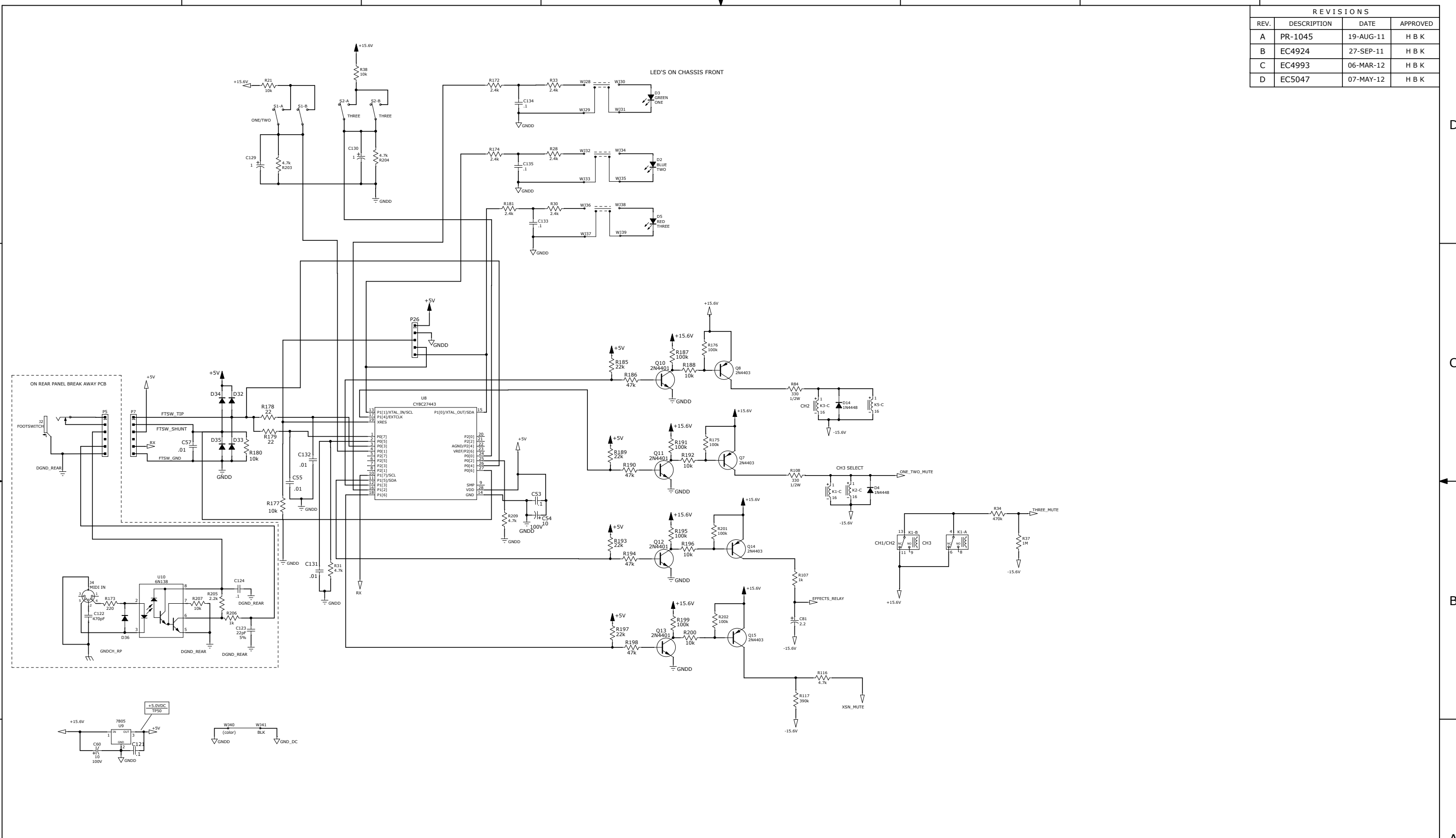


5. THIS SCHEMATIC IS FOR PCB FABRICATION P/N 0079091000 AND PCB ASSEMBLY P/N 0079090000.
 4. ALL DIODES ARE 1N4448S.
 3. ALL POLARIZED CAPACITORS IN µF, 20% OR BETTER; 50V MINIMUM.
 2. ALL UNPOLARIZED CAPACITORS IN µF, 10% OR BETTER; 50V MINIMUM. (POWER SUPPLY BYPASS CAPACITORS ARE 20%).
 1. ALL RESISTORS IN OHMS, 5%, 1/4W.

NOTES: (UNLESS OTHERWISE NOTED)

THIS DOCUMENT CONTAINS INFORMATION OF A PROPRIETARY NATURE TO FENDER MUSICAL INSTRUMENTS AND IS SUBMITTED TO YOU IN CONFIDENCE AND SHALL NOT BE DISCLOSED OR TRANSMITTED TO OTHERS WITHOUT AUTHORIZATION FROM FENDER MUSICAL INSTRUMENTS.		Fender MUSICAL INSTRUMENTS Corona, CA U.S.A.	
CHECKED BY: _____	DATE: _____	TITLE: SERVICE DIAGRAM, COMBINED (schematic) EVH 5150 III 50W MAIN PCB ASSY	
APPROVED BY: _____	DATE: _____	SIZE: D	DRAWING NUMBER: 0079092000
DRAWN: H.KAPLAN	ENGR: H.KAPLAN	RELEASE DATE: 09-SEP-11	REV. D
DATABASE FILE: Z1045S1.SCH		SHEET: 3 OF 5	

REVISIONS			
REV.	DESCRIPTION	DATE	APPROVED
A	PR-1045	19-AUG-11	H B K
B	EC4924	27-SEP-11	H B K
C	EC4993	06-MAR-12	H B K
D	EC5047	07-MAY-12	H B K



5. THE SCHEMATIC FOR PCB FABRICATION P/N 0079091000 AND PCB ASSEMBLY 0079090000.
 4. ALL DIODES ARE 1N4448.
 3. ALL POLARIZED CAPACITORS IN uF, 20%, 50V MINIMUM. (POWER SUPPLY BYPASS CAPACITORS ARE 20%)
 2. ALL UNPOLARIZED CAPACITORS IN uF, 10% OR BETTER, 50V MINIMUM. (POWER SUPPLY BYPASS CAPACITORS ARE 20%)
 1. ALL RESISTORS IN OHMS, 5%, 1/4W
- NOTES: (UNLESS OTHERWISE NOTED)

THIS DOCUMENT CONTAINS INFORMATION OF A PROPRIETARY NATURE TO FENDER MUSICAL INSTRUMENTS AND IS SUBMITTED TO YOU IN CONFIDENCE AND SHALL NOT BE DISCLOSED OR TRANSMITTED TO OTHERS WITHOUT AUTHORIZATION FROM FENDER MUSICAL INSTRUMENTS		Fender MUSICAL INSTRUMENTS Corona, CA U.S.A.	
CHECKED BY: _____	TITLE: SERVICE DIAGRAM, COMBINED (PCB Assy) EVH 5150 III 50W MAIN PCB ASSY		
DATE: _____	SIZE: D	DRAWING NUMBER: 0079092000	REV: D
APPROVED BY: _____	DRAWN: H. KAPLAN ENGR: H. KAPLAN		
DATE: _____	DATABASE FILE: 1045S1.SCH		
RELEASE DATE: 09-SEP-11		SHEET 4 OF 5	