

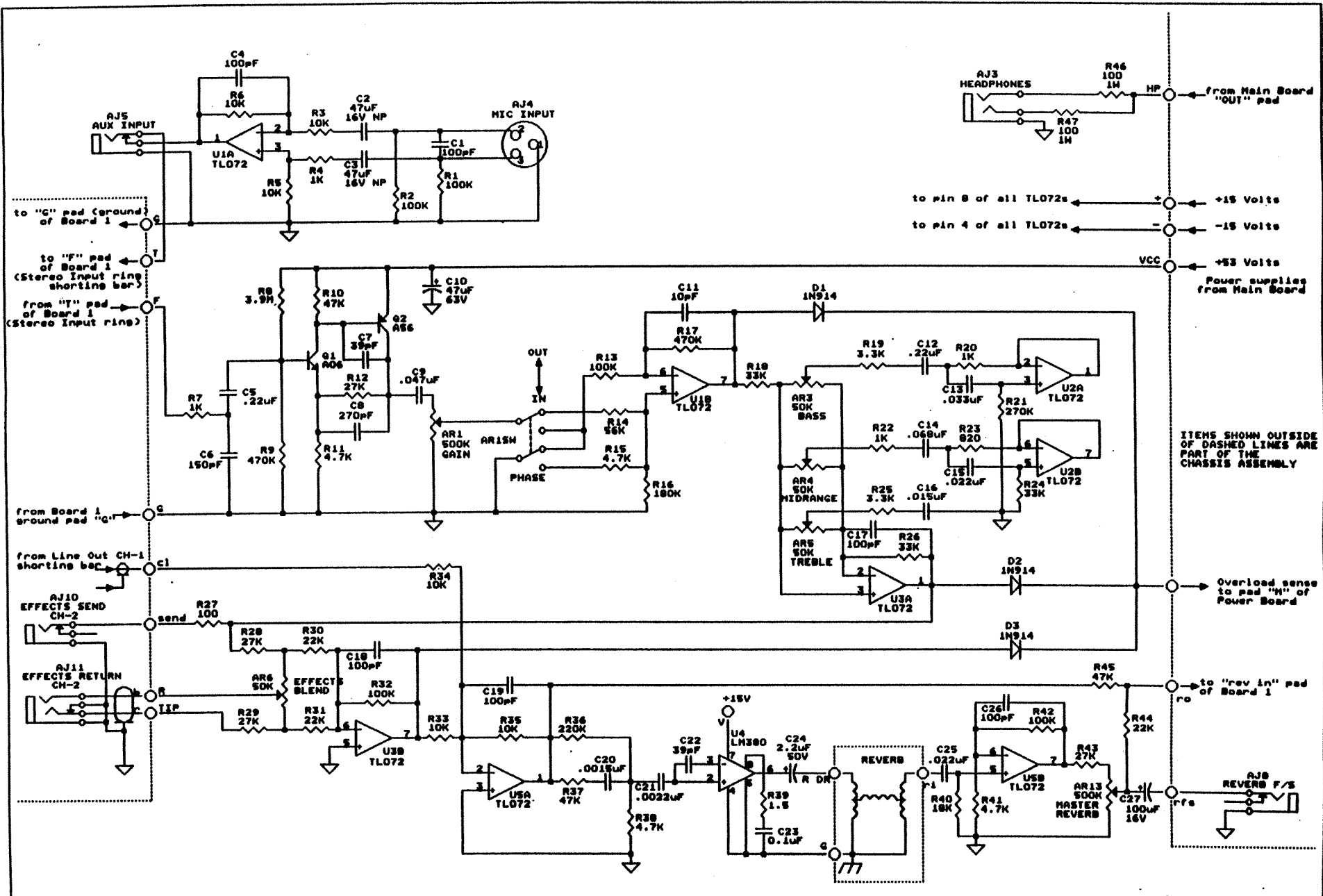
to pin 8 of all ICs ← +15 Volts
 to pin 4 of all ICs ← -15 Volts
 ← +53 Volts
 Power supplies from Power Board

Overload sense to "i" pad on Power Board

to "c1" pad of Board 2

to "in" pad on Power Board

SHR SOUND CORPORATION			
Title	INSTRUMENT PREAMP, CALIFORNIA BLONDE		
Size	Document Number	REV	
B	700041	B	
Date	June 17, 1977	Sheet	1 of 1



to pin 8 of all TL072s → +15 Volts
 to pin 4 of all TL072s → -15 Volts
 VCC → +53 Volts
 Power supplies from Main Board

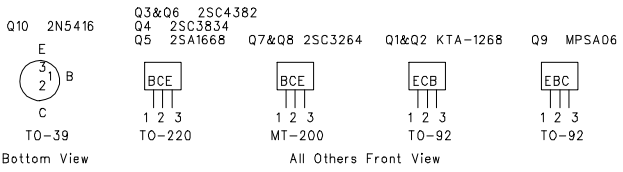
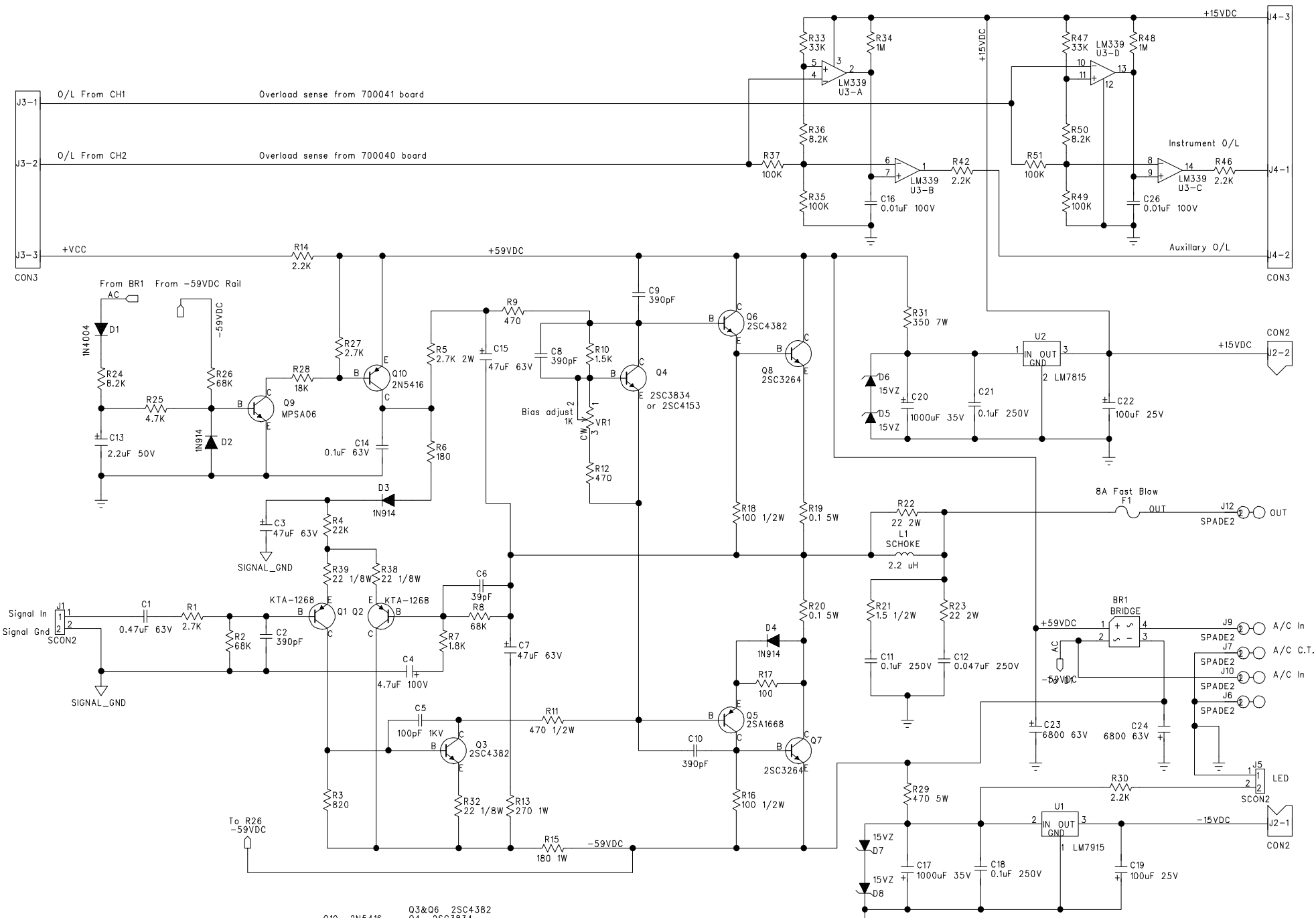
ITEMS SHOWN OUTSIDE OF DASHED LINES ARE PART OF THE CHASSIS ASSEMBLY

Overload sense to pad "M" of Power Board

to "rev in" pad of Board 1

SHR SOUND CORPORATION		
9130 Glenoaks Blvd.		
Sun Valley, CA 91352		
PHONE: (818) 253-4797 FAX: (818) 253-4799		
http://www.shrsound.com		
Title		
MIC CHANNEL PREAMP, CALIFORNIA BLONDE		
Size	Document Number	REV
8	700040	0
Date	June 17, 1999	Sheet 1 of 1

2. Reference designators preceded with the letter "A" are part of the Chassis Assembly.
 1. All resistors are in Ohms, 1/4 Watt.
 NOTES (Unless otherwise indicated):



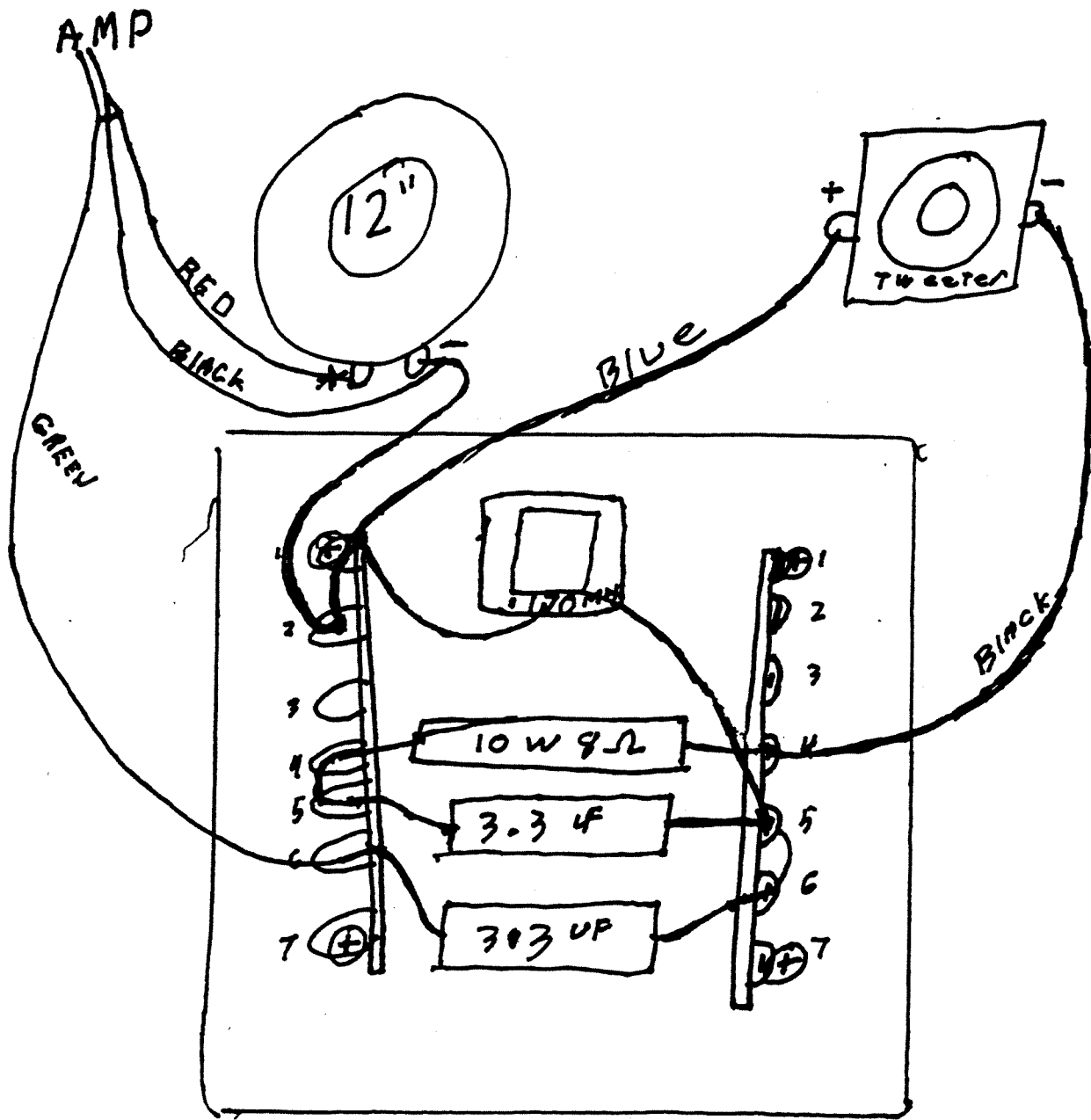
NOTES (Unless otherwise specified):
 1. All resistor in ohms, 1/4 watt, 5%

SWR Sound Corp.

California Blonde - Power Amp Board

August 2000 700042 Revision E Page 1 of 1

Last updated: 26 August 2000



SWR CALIF. BLONDE
X-OVER