

# CHAMPION 30

p/n 022-6703-010 (120V)

## SERVICE MANUAL

# CHAMPION 30

(This is the model name for warranty claims)

## SERVICE MANUAL

JUNE 1999

### IMPORTANT NOTICE:

The information contained herein is CONFIDENTIAL and PROPRIETARY to Fender Musical Instruments Corp. It is disclosed solely for use by qualified technicians for purposes of equipment maintenance and service. It is not to be disclosed to others without the expressed permission of Fender Musical Instruments Co. All specifications subject to change without notice.

For warranty repair service, only Fender specified part numbers are to be used. It is recommended they also be used for post-warranty maintenance and repair.

Parts marked with an asterisk (\*) indicate the required use of that specific part. This is necessary for RELIABILITY and SAFETY requirements. **DO NOT USE A SUBSTITUTE!**

A coded naming convention is used in the description of certain parts. The codes and what they mean are as follows:

#### CAPACITOR CODES

CAP AE = Aluminum Electrolytic  
 CAP CA = Ceramic Axial  
 CAP CD = Ceramic Disk  
 CAP MPF = Metalized Polyester Film  
 CAP MY = Mylar  
 CAP PFF = Polyester Film/Foil

#### RESISTOR CODES

RES CC = Carbon Comp  
 RES CF = Carbon Film  
 RES FP = Flame Proof  
 RES MF = Metal Film  
 RES WW = Wire Wound

#### HARDWARE CODES

BLX = Black Oxide  
 CR = Chrome Plated  
 HWH = Hex Washer Head  
 M = Machine Screw  
 NI = Nickel Plated  
 OHP = Oval Head Phillips  
 PB = Particle Board  
 PHP = Pan Head Phillips  
 PHPS = Pan Head Phillips Sems  
 SMA = Sheet Metal "A" Point  
 SMB = Sheet Metal "B" Point  
 SS = Stainless Steel  
 TF = Thread Forming  
 ZI = Zinc Plated



### CONTENTS:

- Notices
- Specifications
- Parts lists:
  - PCB assembly
  - Chassis assembly
  - Cabinet assembly
  - End item
- Service diagrams
- Assembly diagrams

**PARTS LIST**

**SPECIFICATIONS**

<b>Product Release No.:</b>	PR 404 <i>(This is not a model number)</i>	
<b>Part Number:</b>	120V Version :	22-6703-010
	240V Aus :	22-6733-010
	230V UK :	22-6743-010
	230V Eur :	22-6763-010
	100V :	22-6773-010
<b>Power Requirements:</b>	100V Version :	100 VAC 50/60 Hz, 38W
	120V :	120 VAC 60 Hz, 38W
	230V :	230 VAC 50 Hz, 38W
	240V :	240 VAC 50 Hz, 38W
<b>Power Output:</b>	30 Watts RMS	
<b>Rated Load Impedance:</b>	8Ω	
<b>Input impedance:</b>	>1MΩ	
<b>Nominal Input Level:</b>	100mV	
<b>Speaker Complement:</b>	One 8 Ω Fender Special Design 10" Speaker (P/N 036502)	
<b>Dimensions:</b>	Height: 15.5"	(39.4 cm)
	Width: 17"	(43.2 cm)
	Depth: 8.5"	(21.6 cm)
<b>Weight:</b>	25 lbs.	(11.4 kg)

*Product specifications are subject to change without notice*

*NOTE: SHADED ITEMS ARE FOR REFERENCE ONLY*

**PRINTED CIRCUIT BOARD ASSEMBLY**

QTY	PART #	DESCRIPTION	REFERENCE DESIGNATION
1	054329	PCB FAB CHAMPION 30	
1	054374	HEATSINK PLATE TDA1514UA	
2	038689001	CAP AE AX .47uF 100V 20%	C8-9
1	025960001	CAP AE AX 22uF 16V 20%	C26
2	038691001	CAP AE AX 4.7uF 50V 20%	C39-40
1	028463003	CAP AE RDL 10uF 50V 20%	C47
1	028458003	CAP AE RDL 1uF 50V 20%	C41
3	028459003	CAP AE RDL 2.2uF 50V 20%	C12 C42-43
2	033607000	CAP AE RDL 2200uF 35V 20%	C35-36
1	028482003	CAP AE RDL 220uF 50V 20%	C46
2	028467003	CAP AE RDL 22uF 50V 20%	C3 C11
1	028460003	CAP AE RDL 4.7uF 50V 20%	C44
2	028471003	CAP AE RDL 47uF 50V 20%	C37-38
2	039255001	CAP CA 10pF 100V LL	C10 C16
1	060962000	CAP CD 1000pF 1000V 10%	C31
1	051457003	CAP CD 100pF 500V 5%	C24
1	051458003	CAP CD 470pF 500V 10%	C7
1	051408003	CAP CD 47pF 500V 5%	C28
1	051459003	CAP CD 560pF 500V 10%	C17
3	027278003	CAP MPF .1uF 63V 10%	C14 C48-49
1	027283003	CAP MPF .33uF 63V 10%	C25
1	027286003	CAP MPF .47uF 63V 10%	C32
1	052003003	CAP MPF .1uF 250V 10%	C50
2	033580003	CAP PFF RDL .0022uF 100V 10%	C13 C27
1	033581003	CAP PFF RDL .0033uF 100V 10%	C21
3	033583003	CAP PFF RDL .0047uF 100V 10%	C1-2 C22
1	036234003	CAP PFF RDL .015uF 100V 10%	C30
2	033590003	CAP PFF RDL .022uF 100V 10%	C19 C45
3	033591003	CAP PFF RDL .033uF 100V 10%	C5-6 C33
5	033592003	CAP PFF RDL .047uF 100V 10%	C4 C18 C20 C23 C34
2	033596003	CAP PFF RDL .068uF 100V 10%	C15 C29
3	037324	CONTROL SNAPIN 100k 30C	R13 R25 R32 <b>GAIN, DRV VOL, TREB</b>
1	040552	CONTROL SNAPIN 250k 30C	R35 <b>BASS</b>
1	037323	CONTROL SNAPIN 50k 15A	R22 <b>VOLUME</b>
2	034719	CONTROL SNAPIN 50k B	R31 R45 <b>MID, REVERB</b>
6	064089001	DIODE 1N4003 LL	D13-16 D22-23
11	006260001	DIODE 1N4448 SIGNAL LL	D1-2 D5-11 D20-21
2	009165001	DIODE ZEN 1N4744A 15V 1W 5%	D17-18
10	025802	FASTON TAB, .250"	P3-5 P7-11 P13-14
2	026000001	FASTON TAB, .187"	P6 P12
2	027408	HDR .1 CTR 2 CKT SQ PIN	P1-2

**PARTS LIST**

**PARTS LIST**

**PRINTED CIRCUIT BOARD ASSEMBLY (CONT)**

**PRINTED CIRCUIT BOARD ASSEMBLY (CONT)**

QTY	PART #	DESCRIPTION	REFERENCE DESIGNATION
3	031611	IC OP-AMP DUAL PC4560	U2-3 U5
2	016795	IC OP-AMP DUAL TL072	U1 U4
1	054377	IC POWER AMP TDA1514A 40W	U6
4	051658	JACK MONO R/A	J1-4
3	049948003	LED, RED LONG LEAD LUMEX	D3-4, D12
1	036178	SPACER, .5 x .1 BROWN	@ D12
1	054260	LED, RED PILOT LIGHT	D19
1	028861001	RES CF 1/2W 5% 3.3k LL	R55
1	027869001	RES CF 1/2W 5% 470ohm LL	R61
1	030737001	RES CF 1/2W 5% 5.6ohm LL	R70
4	024981001	RES CF 1/4W 5% 10k LL	R42 R47 R52-53
1	024999001	RES CF 1/4W 5% 150k LL	R46
2	024985001	RES CF 1/4W 5% 15k LL	R7 R37
1	025058001	RES CF 1/4W 5% 180k LL	R18
1	024965001	RES CF 1/4W 5% 1k LL	R8
3	025069001	RES CF 1/4W 5% 1M LL	R51 R54 R56
1	024971001	RES CF 1/4W 5% 2.2k LL	R21
1	024972001	RES CF 1/4W 5% 2.7k LL	R49
6	025059001	RES CF 1/4W 5% 220k LL	R16 R19 R26-27 R38 R43
6	024987001	RES CF 1/4W 5% 22k LL	R9-10 R17 R34 R39-40
1	024942001	RES CF 1/4W 5% 22ohm LL	R41
2	024988001	RES CF 1/4W 5% 27k LL	R64-65
4	024973001	RES CF 1/4W 5% 3.3k LL	R12 R14 R44 R62
2	024975001	RES CF 1/4W 5% 3.9k LL	R67-68
1	029604001	RES CF 1/4W 5% 300ohm LL	R50
1	025061001	RES CF 1/4W 5% 330k LL	R72
2	024989001	RES CF 1/4W 5% 33k LL	R1-2
1	025065001	RES CF 1/4W 5% 470k LL	R15
3	024961001	RES CF 1/4W 5% 470ohm LL	R28 R59-60
4	024993001	RES CF 1/4W 5% 47k LL	R29-30 R33 R36
1	028034001	RES CF 1/4W 5% 5.1k LL	R5
2	028018001	RES CF 1/4W 5% 510k LL	R3-4
1	028990001	RES CF 1/4W 5% 51k LL	R63
1	024979001	RES CF 1/4W 5% 6.8k LL	R6
1	025067001	RES CF 1/4W 5% 680k LL	R66
1	025942001	RES CF 1/4W 5% 7.5k LL	R20
1	024980001	RES CF 1/4W 5% 8.2k LL	R11
2	029613001	RES CF 1/4W 5% 91k LL	R23-24
1	028029001	RES FILM 1W 5% 1.5k LL	R48
2	028045001	RES FILM 1W 5% 220ohm LL	R57-58
1	027628001	RES MOX 2W 5% 47ohm LL	R73

QTY	PART #	DESCRIPTION	REFERENCE DESIGNATION
1	032958000	RES WW 5W 10% .33ohm	R69
1	029670000	RES WW 5W 10% 150ohm	R71
1	028091	SWITCH PUSH SLFLK SHORT STROKE	S1
1	048451	BUTTON PUSH SWITCH OFF WHT	@S1
2	032908	SCREW TF 6-32 x 3/8 P	HEATSINK PLATE TO PCB
2	027638	SCREW 4-40 x 3/8 HWH	@U6
1	054378	INSULATOR MICA 9 PIN SIP	@U6
3	025936	STANDOFF NYLON 3/8 L	REF CHASSIS ASSY
2	051094003	5mm FUSE HOLDER CLIP PCB	@F1
2	014689003	XSTR N-CH JFET J111 TO-92	Q1-2

**CHASSIS ASSEMBLY**

1	020786	FUSE QA 20mmx5mm 250v .5A	F1 (230/240V)
1	048381	FUSE QA 20mmx5mm 250v 1A	F1 (100/120V)
1	021709	BUSHING SR .437x.062x13/32 BLK	@ SPKR LEADS
3	025936	STANDOFF NYL PCB SNAP 3/8" NAT	@ PCB
2	028500	SCRW TF 8-32x3/4 HWH SLTD Z1	@ HEATSINK BAR
3	028937	SCRW TF 6-32x5/8 PHP ZI TAPTYT	@ STANDOFFS
7	033206	BUSHING KNOB SPACER	@ CONTROLS
4	053479	NUT R/A JACK	@ J1-4
4	053480	WASHER, FLAT .442x.692 NI	@ J1-4
4	069393	NUT 6-32 HEX EXT LOCK	@ PWR XFMR
1	031625	NUT 1/16-27 HOLDER PILOT LIGHT	@ PILOT LIGHT
1	025935	SWITCH DPST .187 TAB (DOM)	PWR SWITCH
1	054642	SOCKET, IEC SNAP IN	
1	033613	XFMR PWR 120V	DOMESTIC
1	040611	XFMR PWR CHMP110/BXR25 230V	EXPORT
1	034885	HEATSINK BAR RD/HT/JM/CHMP110	
1	025954	SLEEVE-REVERB PAN CHAMP 12	
1	041397	REVERB SPRING 1BB2E4A	
2	050348	FOAM STRIP 1/8X1X7 DBL STICK	@ REVERB

**PARTS LIST**

**CHASSIS ASSEMBLY (CONT)**

QTY	PART #	DESCRIPTION	REFERENCE DESIGNATION
1	054326	CHASSIS CHAMPION 30 AMP	
1	054330	PCB ASSY CHAMPION 30	
7	054419	KNOB ROTARY 180 DEG SS W/ CHROME INSERT	
1	054652	PANEL FRONT CHAMPION 30	
1	054653	PANEL REAR CHAMPION 30	
1	032219	COLLAR-PILOT LIGHT 1/16-27	@ PILOT LIGHT
1	036595	JEWEL RED LENS	@ PILOT LIGHT

**CABINET ASSEMBLY**

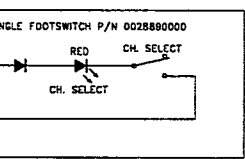
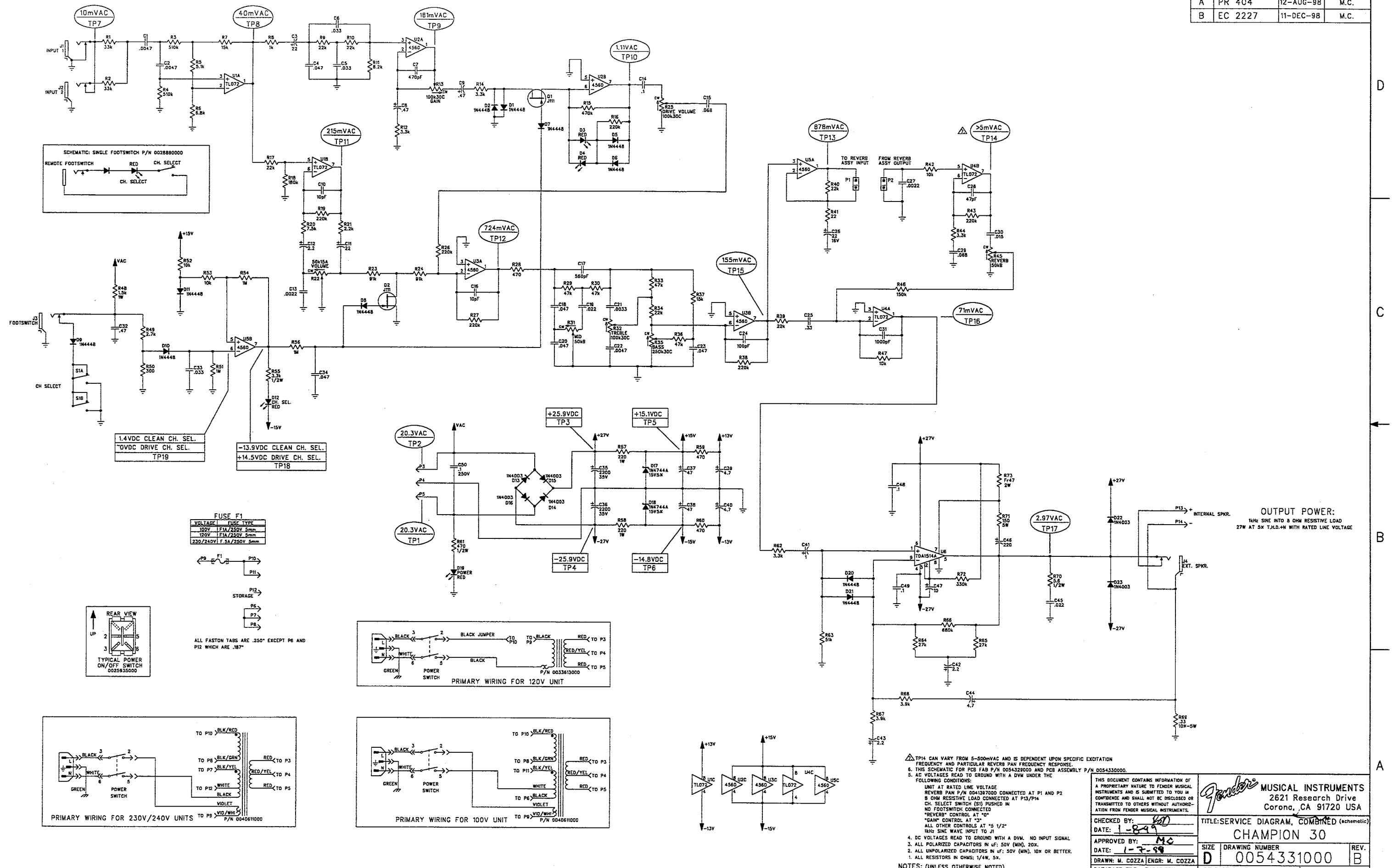
2	019279	HANDLE CAP 2 HOLE NICKEL	
1	027846	HANDLE 9.25" NO LOGO	
1	032524	INSERT HANDLE	
8	021972	NUT T 10-32x3/4 STR 3 PRNG BLX	
4	022244	SCRW M 10-32x1-1/8 OHP NI	
12	026571	SCRW SMAB 8X5/8 THP NI	
2	036782	SCRW SMA 8X1/2 THP NI	
4	026566	CORNER 2 HOLE w/TAB NI	
2	026568	CORNER 3 HOLE NI	
0.2	037788	CLOTH GRILLE BLACK/SILVER	
1.5	026570	TOLEX BLACK	
0.2	029085	VELCRO STRIP LOOP 1.5" W BLK	
0.2	029086	VELCRO STRIP HOOK 1.5" W BLK	
4	029323	FOOT RUBBER 1.0 DIA SMALL	

**PARTS LIST**

**END ITEM**

QTY	PART #	DESCRIPTION	REFERENCE DESIGNATION
2	018113	SCRW SMA 4x1/2 OHP BLX	@ FENDER NAMEPLATE
4	026577	SCRW M 10-32x1 PHP BLX	@ SPEAKER CLIPS
2	026800	SCRW SMAB 8x1-3/4 OHP BLX	@ GRILLE
4	036199	SCRW M 8-32x1-3/16 OHP BLX CP	@ CHASSIS
6	029527	WSHR FNH 8-5/8 FLNGD BLX WX	@ GRILLE AND CHASSIS SCREWS
1	029906	NAMEPLATE FENDER GENERIC SMALL	@ GRILLE
1	036502	SPEAKER 10" 8 ohm	
4	037344	CLIP,SPEAKER (CHAMP 110/ HOT)	@ SPEAKER
1	040510	CAB ASSY CHAMPION 110	
1	054321	CHS ASSY CHAMPION 30 120V	DOMESTIC
1	054322	CHS ASSY CHAMPION 30 230V EUR	230V EURO
1	054323	CHS ASSY CHAMPION 30 230V UK	230V UK
1	054324	CHS ASSY CHAMPION 30 240V AUST	240V AUST
1	054325	CHS ASSY CHAMPION 30 100V JAP	100V JAPAN
1	047248	CORD PWR W/IEC CONN DOM	DOMESTIC
1	047250	CORD PWR W/IEC CONN 240V AUST	240V AUST
1	053997	CORD PWR W/IEC CONN 100V JAP	100V JAPAN
1	047249	CORD PWR W/IEC CONN 230V UK	230V UK
1	047251	CORD PWR W/IEC CONN 230V EUR	230V EURO

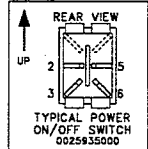
REVISIONS			
REV.	DESCRIPTION	DATE	APPROVED
A	PR 404	12-AUG-98	M.C.
B	EC 2227	11-DEC-98	M.C.



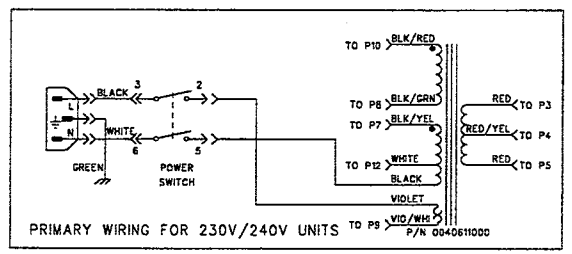
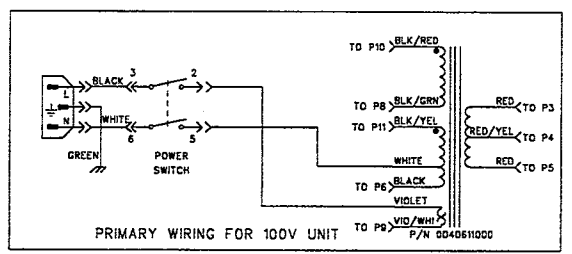
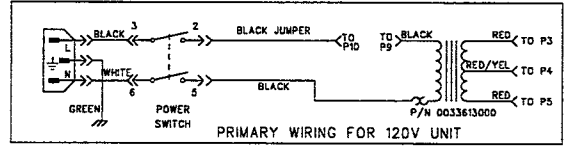
1.4VDC CLEAN CH. SEL.
0VDC DRIVE CH. SEL.
-13.9VDC CLEAN CH. SEL.
+14.5VDC DRIVE CH. SEL.

FUSE F1

VOLTAGE	FUSE TYPE
100V	F1A/250V 5mm
120V	F1A/250V 5mm
230/240V	F 1A/250V 5mm



ALL FASTON TABS ARE .250" EXCEPT P6 AND P12 WHICH ARE .187"



OUTPUT POWER:  
1kHz SINE INTO 8 OHM RESISTIVE LOAD  
27W AT 5X T.H.D.+N WITH RATED LINE VOLTAGE

- NOTES: (UNLESS OTHERWISE NOTED)
- TP14 CAN VARY FROM 5-500mVAC AND IS DEPENDENT UPON SPECIFIC EXCITATION
  - UNIT AT RATED LINE VOLTAGE
  - FREQUENCY AND PARTICULAR REVERB PAN FREQUENCY RESPONSE.
  - THIS SCHEMATIC FOR PCB FAB P/N 005432000 AND PCB ASSEMBLY P/N 005433000.
  - AC VOLTAGES READ TO GROUND WITH A DVM UNDER THE FOLLOWING CONDITIONS:  
REVERB PAN P/N 0041387000 CONNECTED AT P1 AND P2  
8 OHM RESISTIVE LOAD CONNECTED AT P13/P14  
CH. SELECT SWITCH (S1) PUSHED IN  
NO FOOTSWITCH CONNECTED  
"REVERB" CONTROL AT "0"  
"GAIN" CONTROL AT "3"  
ALL OTHER CONTROLS AT "1/2"  
1kHz SINE WAVE INPUT TO J1
  - DC VOLTAGES READ TO GROUND WITH A DVM. NO INPUT SIGNAL
  - ALL POLARIZED CAPACITORS IN uF: 50V (MIN), 20X.
  - ALL UNPOLARIZED CAPACITORS IN uF: 50V (MIN), 10X OR BETTER.
  - ALL RESISTORS IN OHMS: 1/4W, 5X.

THIS DOCUMENT CONTAINS INFORMATION OF A PROPRIETARY NATURE TO FENDER MUSICAL INSTRUMENTS AND IS SUBMITTED TO YOU IN CONFIDENCE AND SHALL NOT BE DISCLOSED OR TRANSMITTED TO OTHERS WITHOUT AUTHORIZATION FROM FENDER MUSICAL INSTRUMENTS.

**Fender** MUSICAL INSTRUMENTS  
2621 Research Drive  
Corona, CA 91720 USA

CHECKED BY: *MC*  
DATE: 1-8-99  
APPROVED BY: *MC*  
DATE: 1-7-99  
DRAWN: M. COZZA | ENGR: M. COZZA

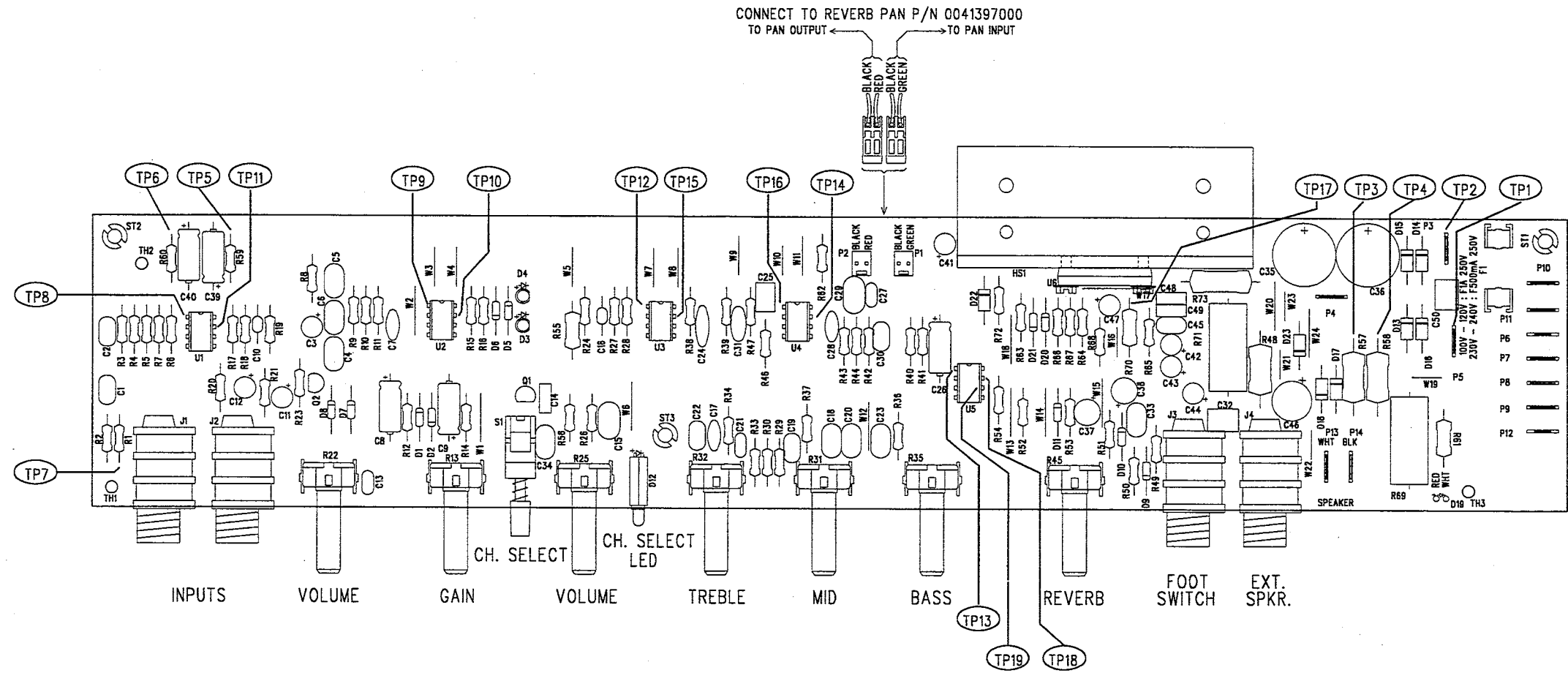
TITLE: SERVICE DIAGRAM, COMBINED (schematic)  
CHAMPION 30  
SIZE: D  
DRAWING NUMBER: 0054331000  
RELEASE DATE: 12-AUG-98 | SHEET: 1 OF 2

8 7 6 5 4 3 2 1

REVISIONS			
REV.	DESCRIPTION	DATE	APPROVED
A	PR404	12-AUG-98	M.C.
B	EC 2227	11-DEC-98	M.C.

D  
C  
B  
A

D  
C  
B  
A



FILM/DWG: SERVICE DIAGRAM  
 DATABASE: Z404P.PCB DATE: 12-AUG-98

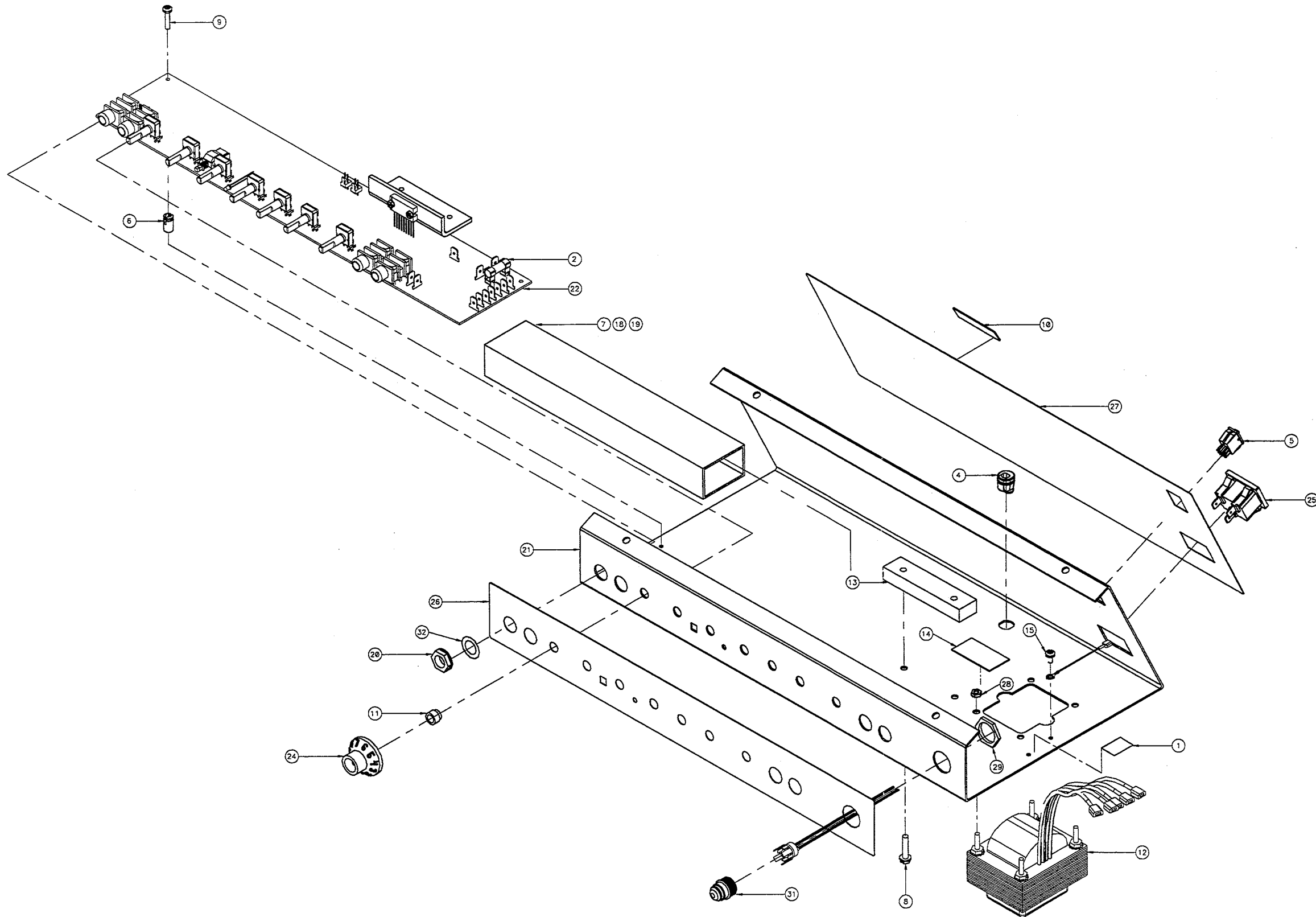
1. SEE SHEET 1 FOR PRIMARY WIRING, TEST CONDITIONS, AND TEST POINT VALUES.  
 NOTES: (UNLESS OTHERWISE NOTED)

THIS DOCUMENT CONTAINS INFORMATION OF A PROPRIETARY NATURE TO FENDER MUSICAL INSTRUMENTS AND IS SUBMITTED TO YOU IN CONFIDENCE AND SHALL NOT BE DISCLOSED OR TRANSMITTED TO OTHERS WITHOUT AUTHORIZATION FROM FENDER MUSICAL INSTRUMENTS.		MUSICAL INSTRUMENTS 2621 Research Drive Corona, CA 91720 USA	
CHECKED BY: <i>[Signature]</i>	DATE: 1-8-99	TITLE: SERVICE DIAGRAM, COMBINED (PCB assy) CHAMPION 30	
APPROVED BY: <i>[Signature]</i>	DATE: 1-7-99	SIZE: C	DRAWING NUMBER: 0054331000
DRAWN: M. COZZA	ENGR: M. COZZA	REV. B	
DATABASE FILE: Z404P.PCB	RELEASE DATE: 12-AUG-98	SHEET 2 OF 2	

8 7 6 5 4 3 2 1

THIS DOCUMENT CONTAINS INFORMATION OF A PROPRIETARY NATURE TO FENDER MUSICAL INSTRUMENTS AND IS SUBMITTED TO YOU IN CONFIDENCE AND SHALL NOT BE DISCLOSED OR TRANSMITTED TO OTHERS WITHOUT AUTHORIZATION FROM FENDER MUSICAL INSTRUMENTS CORP.

REV	EC NUMBER	BY	DATE/AMC/HC
A	PR404	B.S.	8/4/98
B	EC 2227 - DELETE ITEM 30, CHG P/N 036595 TO 054798	B.S.	1/13/99




N.S. = NOT SHOWN

32	4	0053480000	WASHER FLAT .442 X.692 NI
31	1	0054798000	JEWEL ASSY LED
29	1	0031625000	NUT HOLDER PILOT LIGHT 1/16-27
28	4	0069393000	NUT 6-32 HEX EXT LOCK
27	1	0054653000	PANEL REAR CHAMPION 30
26	1	0054652000	PANEL FRONT CHAMPION 30
25	1	0054642000	SOCKET, IEC SNAP IN
24	7	0054419000	KNOB ROTARY 180DEG SS W/ CHROME INSERT
23	1	SEE MATRIX	WIRE SET CHAMPION 30 (N.S.)
22	1	0054330000	PCB ASSY CHAMPION 30
21	1	0054326000	CHASSIS CHAMPION 30 AMP
20	4	0053479000	NUT HEX 7/16 20X1/8 NI
19	2	0050348000	FOAM STRIP 1/8X1X7 DBL STICK
18	1	0041397000	REVERB SPRING 1BB2E4A
15	1	0038900000	SCRW TF 6-32X1/4 PHP ZI
14	1	0037139000	LABEL FUSE REPLACEMENT
13	1	0034885000	HEATSINK BAR RD/HT/JM/CHMP110
12	1	SEE MATRIX	XFMR PWR
11	7	0033206000	BUSHING KNOB SPACER
10	1	0029816000	LABEL SERIAL MEXICO
9	3	0028937000	SCRW TF 6-32x5/8 PHP ZI TAPTYT
8	2	0028500000	SCRW TF 8-32x3/4 HWH SLTD Z1
7	1	0025954000	SLEEVE-REVERB PAN CHAMP 12
6	3	0025936000	STANDOFF NYL PCB SNAP 3/8" NAT
5	1	0025935000	SWITCH DPST .187 TAB (DOM)
4	1	0021709000	BUSHING SR .437x.062x13/32 BLK
2	1	SEE MATRIX	FUSE QA 20mmx5mm 250V
1	1	0013020000	LABEL GROUNDING SEMKO

4. COPYRIGHT - 1999 - FENDER MUSICAL INSTRUMENTS CORP.
  3. - 3 - SAMPLES OF FIRST PARTS MUST BE APPROVED BY FENDER R&D BEFORE STARTING PRODUCTION.
  2. ALL DIMENSIONS ARE IN INCHES.
  1. DO NOT SCALE DRAWING.
- NOTES: UNLESS OTHERWISE NOTED

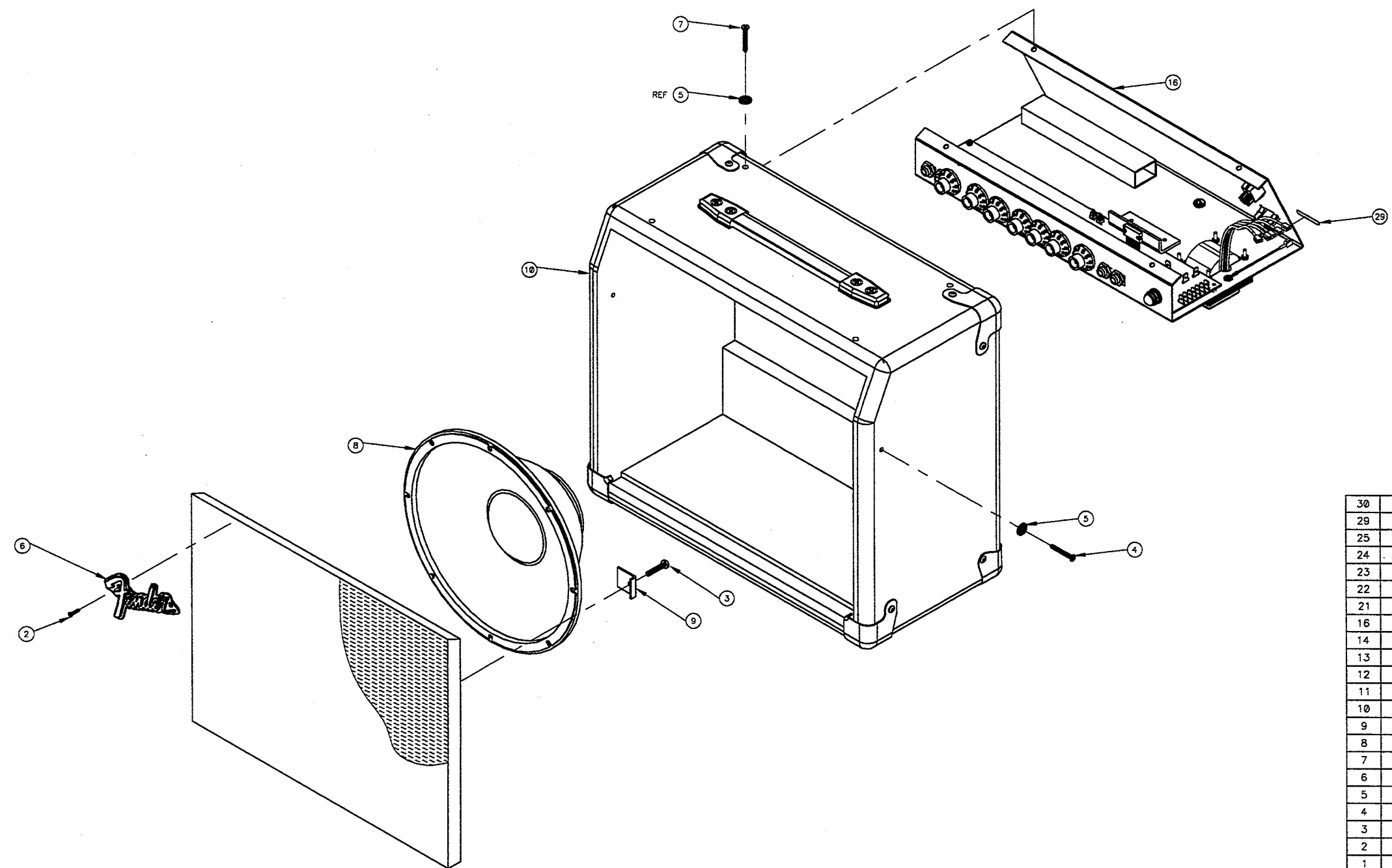
MATRIX

23	1	0054333000	0054334000	0054334000	0054334000	0054334000
12	1	0033613000	0040611000	0040611000	0040611000	0040611000
2	1	0048381000	0020786000	0020786000	0020786000	0048381000
ITEM	QTY.	0054321000 DOM 120V CHAMPION 30	0054322000 EUR 230V CHAMPION 30	0054323000 UK 230V CHAMPION 30	0054324000 AUS 240V CHAMPION 30	0054325000 JAPAN 100V CHAMPION 30

ENGINEER MIKE COZZA	 FENDER MUSICAL INSTRUMENTS CORP. CORONA, CALIFORNIA 91720			
DRAWN BEATA.S				
DATE 8/4/98				
DATE 1/13/99	TITLE CHASSIS ASSY CHAMPION 30			
DATE 1/13/99	SHEET 1/1	SIZE D	DRAWING NUMBER 0054321000	REV. B

THIS DOCUMENT CONTAINS INFORMATION OF A PROPRIETARY NATURE TO FENDER MUSICAL INSTRUMENTS AND IS SUBMITTED TO YOU IN CONFIDENCE AND SHALL NOT BE DISCLOSED OR TRANSMITTED TO OTHERS WITHOUT AUTHORIZATION FROM FENDER MUSICAL INSTRUMENTS CORP.

REV	EC NUMBER	BY	DATE/ISSUE
A	PR404	B.S.	8/7/98
B	EC 2185	B.S.	10/6/98



N.S. = NOT SHOWN

30	1	SEE MATRIX	REGISTRATION CARD (N.S.)
29	1	SEE MATRIX	LABEL VOLTAGE 230V
25	1	9903320000	BAG POLY ZIP 10x13 2M (N.S.)
24	1	9903311400	BAG JIFFY #1 7-1/4x12 (N.S.)
23	1	0054651000	MANUAL OWNERS CHAMPION 30 (N.S.)
22			
21	1	0054331000	COMBINED SERVICE DIAG. CHAMPION 30 (N.S.)
16	1	SEE MATRIX	CHASSIS ASSY CHAMPION 30
14	1	0053482000	CARTON W/INS CH110/FMAN25R-MEX (N.S.)
13	1	0053454000	STICKER BUMPER FEND SINCE 1946 (N.S.)
12	1	0053412000	TAG WARRANTY 5 YR FENDER-NEW (N.S.)
11	1	SEE MATRIX	CORD PWR W/IEC CONN 250V (N.S.)
10	1	0040510000	CAB ASSY CHAMPION 110, 30
9	4	0037344000	CLIP,SPEAKER (CHAMP 110/ HOT)
8	1	0036502000	SPEAKER 10" 8 ohm
7	4	0036199000	SCRW M 8-32x1-3/16 OHP BLX CP
6	1	0029906000	NAMEPLATE FENDER GENERIC SMALL
5	6	0029527000	WSHR FN5H 8-5/8 FLNGD BLX WX
4	2	0026800000	SCRW SMAB 8x1-3/4 OHP BLX
3	4	0026577000	SCRW M 10-32x1 PHP BLX
2	2	0018113000	SCRW SMA 4x1/2 OHP BLX
1	1	0010032000	BAG POLY BOX BTM 23x17x40 .002 (N.S.)
ITEM	QTY.	PART NO.	DESCRIPTION

ENGINEER  
MIKE COZZA

DRAWN  
BEATA.S

DATE  
8/7/98

TITLE  
END ITEM ASSY  
CHAMPION 30

SHEET  
1/1

SCALE  
N/A

SIZE  
D

DRAWING NUMBER  
0226703010

REV.  
B

MATRIX

ITEM	QTY.	0226703010 DOM 120V CHAMPION 30	0226763010 EUR 230V CHAMPION 30	0226743010 UK 230V CHAMPION 30	0226733010 AUS 240V CHAMPION 30	0226773010 JAPAN 100V CHAMPION 30
30	1	0054387000	NONE	NONE	NONE	NONE
29	1	NONE	0050505000	0050505000	0050506000	0050507000
16	1	0054321000	0054322000	0054323000	0054324000	0054325000
11	1	0047248000	0047251000	0047249000	0047250000	0053997000

- 5. PLACE ITEM 11 IN ITEM 24 FOR SHIPMENT.
  - 4. COPYRIGHT - 1998 - FENDER MUSICAL INSTRUMENTS CORP.
  - 3. - 3 - SAMPLES OF FIRST PARTS MUST BE APPROVED BY FENDER R&D BEFORE STARTING PRODUCTION.
  - 2. ALL DIMENSIONS ARE IN INCHES.
  - 1. DO NOT SCALE DRAWING.
- NOTES: UNLESS OTHERWISE NOTED