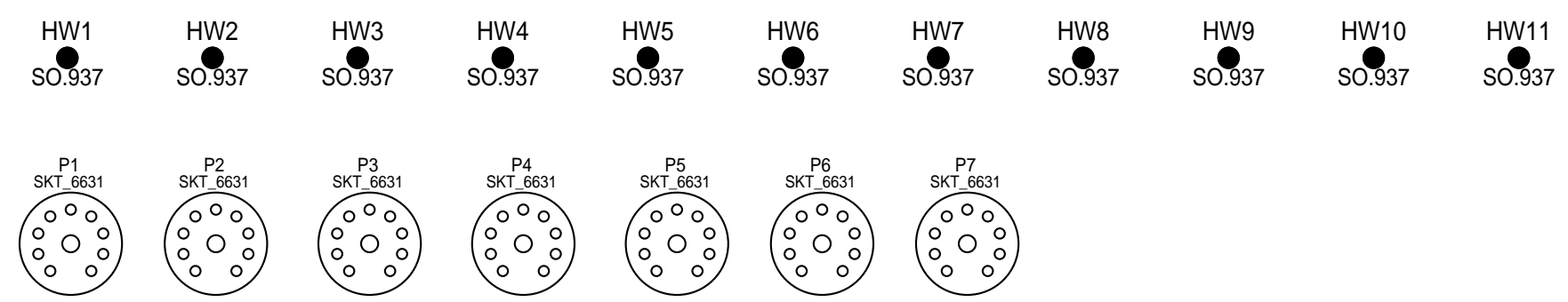
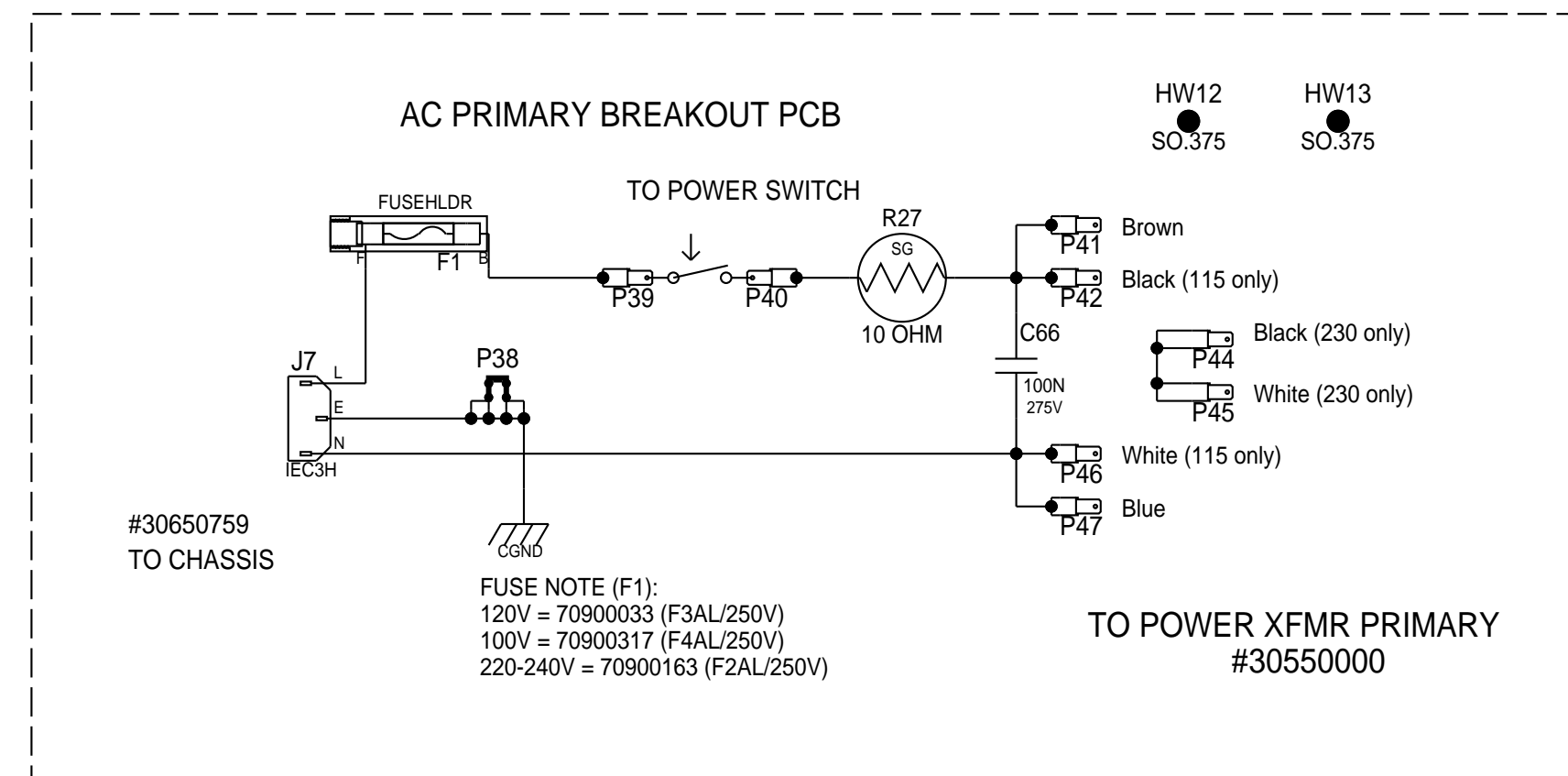


REV	Eng	Date:	Revision Description	ECN#
A				
B				
C				
D				
E				
F				

INDEX

SHEET	DESCRIPTION



Note: All thru hole Resistors are 1/4 Watt unless otherwise indicated.  
All SMT 1206 Resistors are 1/4 Watt.  
All SMT 0805 Resistors are 1/10 Watt.  
Note Capacitor Values are indicated as Follows:  
val P = pF (picoFarads) val \* 10 exp-12  
val N = nF (nanoFarads) val \* 10 exp-9 (1N=1000pF, 100N=0.1uF)  
val U = uF (microFarads) val \* 10 exp-6

\*Company Proprietary Information\*

**PEAVEY**  
Peavey Electronics Corp.  
P.O. Box 2898  
Meriden, MS 39301

Product: **CLASSIC 30 (II)**

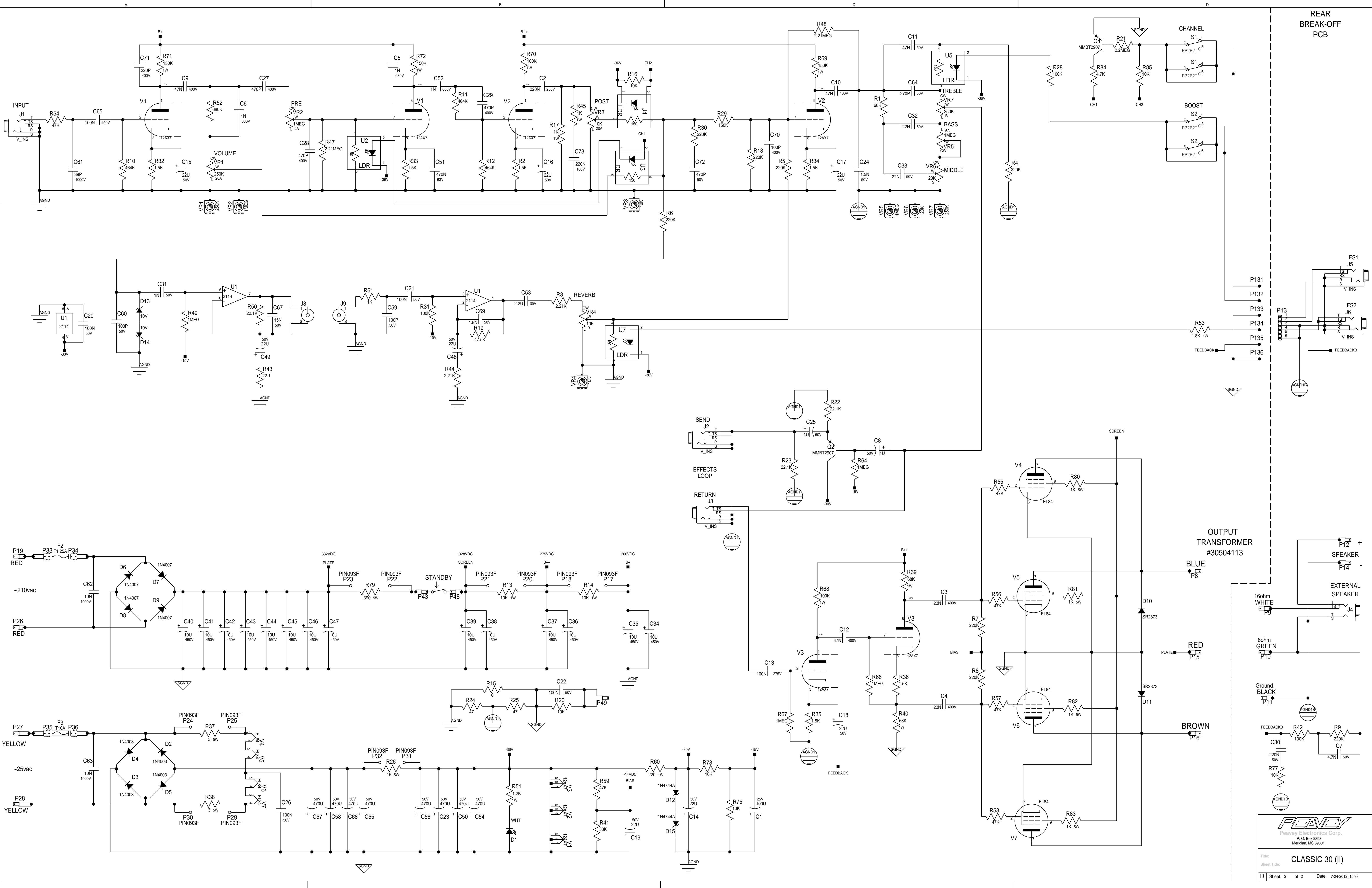
Title:

Project Number: P1000012

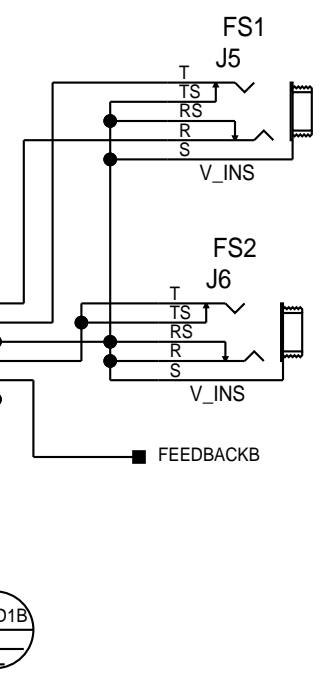
Eng: PJS / JCF Release Date:

D Sheet 1 of 2 Saved: 7-24-2012\_15:33

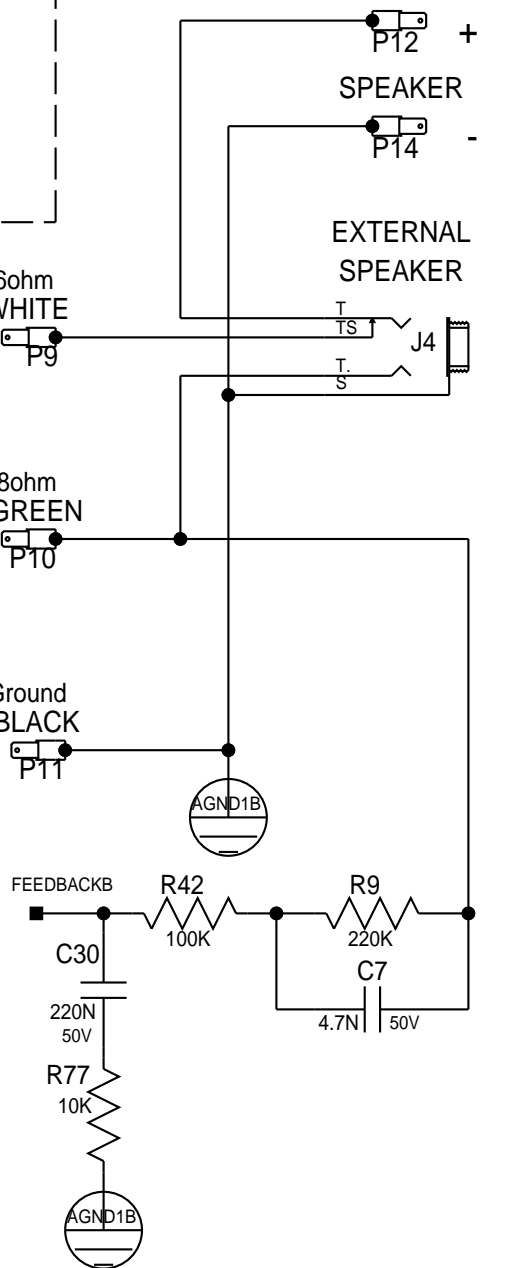
Patents:  
Copyright Peavey Electronics Corporation 2008.



REAR  
BREAK-OFF  
PCB



OUTPUT  
TRANSFORMER  
#30504113

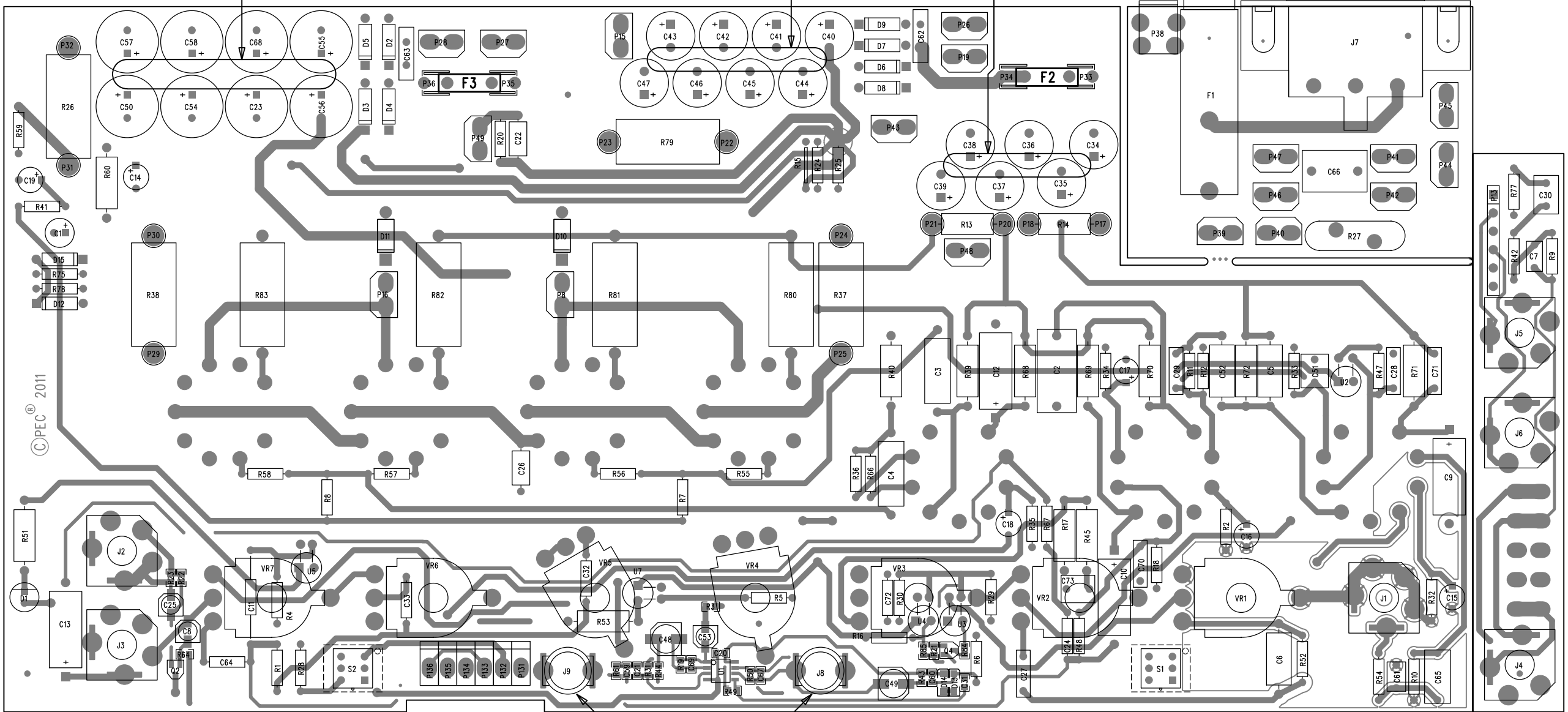


ADD HOT MELT GLUE  
IN THIS AREA

ADD HOT MELT GLUE  
IN THIS AREA

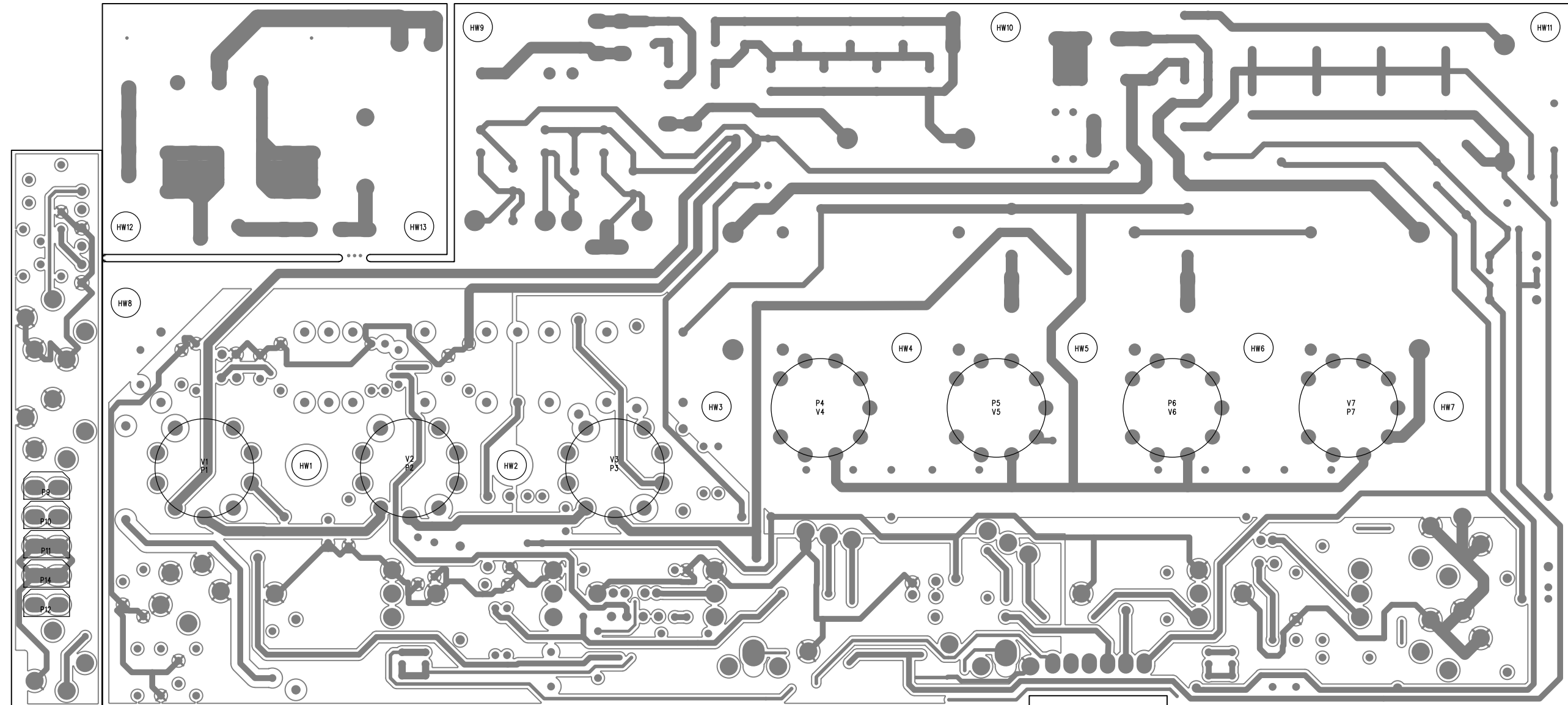
ADD HOT MELT GLUE  
IN THIS AREA

SECURE J7 TO PCB USING (2) 31500954 SCREWS



BEND CENTER LEAD SO THAT IT  
TOUCHES PAD ON THE SECONDARY SIDE  
BEFORE SOLDERING

CLASSIC 30 II PRIMARY SIDE VIEW



CLASSIC 30 II SECONDARY SIDE VIEW

BILL OF MATERIAL REPORT

-----

REPORT DATE/TIME: 7/26/2012 1:16:50 PM

BOARD NAME: CLASSIC 30 II

ASSEMBLY LEVEL NUMBER: 29101730

PROJECT NUMBER: P1000012

DESIGNER: JTH-32101835C

Qty.	Part #	Description	Reference
Designators			
-----			
1	30200074	10K 1/10W 0.1% MF 0805	R85
1	30200165	4.7K 1/10W 5% MF 0805	R84
1	30200188	1.00K 1/10W 1% MF 0805	R61
1	30200194	100K 1/10W 1% MF 0805	R31
2	30200195	1.00M 1/10W 1% MF 0805	R49 R64
1	30200205	47.5K 1/10W 1% MF 0805	R19
3	30200256	22.1K 1/10W 1% MF 0805	R22 R23 R50
2	30200267	2.21K 1/10W 1% MF 0805	R3 R44
1	30200443	2.2M 1/10W 5% 0805	R21
1	30200495	22.1 1/10W 1% MF 0805	R43
2	30210000	1K 1W 5% MO AXL	R17 R45
2	30210017	100K 1W 5% MO AXL	R68 R70
2	30210018	10K 1W 5% MO AXL	R13 R14
1	30210019	220 1W 5% MO AXL	R60
1	30210024	1.2K 1W 5% MO AXL	R51
1	30210028	1.8K 1W 5% MO AXL	R53
3	30210123	150K 1W 5% MO AXL	R69 R71 R72
6	30240018	1500 1/4W 5% CF AXL	R2 R32 R33 R34 R35 R36
1	30240025	10K 1/4W 5% CF AXL	R16

1	30240030	33K	1/4W	5%	CF	AXL	R41
6	30240031	47K	1/4W	5%	CF	AXL	R54 R55 R56 R57 R58 R59
1	30240032	68K	1/4W	5%	CF	AXL	R1
1	30240034	100K	1/4W	5%	CF	AXL	R42
1	30240035	150K	1/4W	5%	CF	AXL	R29
8	30240036	220K	1/4W	5%	CF	AXL	R4 R5 R6 R7 R8 R9 R18 R30
1	30240065	680K	1/4W	5%	CF	AXL	R52
2	30240090	47	1/4W	5%	FP	AXL	R24 R25
1	30240151	100K	1/4W	1%	MF	AXL	R28
1	30240200	10 OHM	3A			INRUSH LIMITER	R27
5	30240409	NSL-32SR3				OPTOCOUPLER	U2 U3 U4 U5 U7
4	30241050	10K	1/4W	1%	MF	AXL	R20 R75 R77 R78
1	30241097	15	5W	10%	WW	AXLH	R26
2	30241118	1M	1/4W	1%	MF	AXL	R66 R67
3	30241119	464K	1/4W	1%	MF	T&R	R10 R11 R12
2	30241140	2.21M	1/4W	1%	MF	AXL	R47 R48
2	30250018	68K	1W	10%	MO	AXL	R39 R40
1	30250020	390	5W	5%	FP	AXLH	R79
2	30250041	3	5W	10%	WW	AXLH SL	R37 R38
4	30250060	1K	5W	10%	WW	AXLH SL	R80 R81 R82 R83
2	30300081	1UF	50V	20%	EL	SMT4	C8 C25
1	30300084	2.2UF	35V	20%	ELN	SMT4	C53
2	30300088	100PF	50V	5%	NPO	0805	C59 C60
1	30300091	1000PF	50V	5%	NPO	0805	C31

2	30300099	22UF	50V	20%	EL	SMT6	C48 C49
2	30300121	0.1UF	50V	5%	X7R	0805	C20 C21
1	30300154	0.015UF	50V	10%	X7R	0805	C67
1	30300234	1800PF	50V	5%	NPO	0805	C69
1	30320096	0.1UF	250V	10%	PE	RADH	C65
2	30320099	0.01UF	1000V	80-20%	Z5U		C62 C63
3	30320105	0.047UF	400V	10%	PES	AXL	C9 C10 C12
1	30320129	0.22UF	250V	10%	PE	RADH	C2
6	30320181	22UF	50V	20%	EL	RAD	C14 C15 C16 C17 C18 C19
3	30320281	1000PF	630V	10%	PE	AXL	C5 C6 C52
2	30320283	0.022UF	400V	10%	PE	AXL	C3 C4
1	30320334	0.1UF	250V	10%	PE	AXL	C13
1	30320441	39PF	1000V	20%	Z5F	RADH	C61
1	30320556	0.1UF	275V	10%	"X"	RADH	C66
3	30320569	470PF	400V	20%	PP	RADH	C27 C28 C29
1	30320571	220PF	400V	20%	PP	RADH	C71
1	30320572	100PF	400V	20%	PP	RADH	C70
8	30320577	470UF	50V	20%	EL	RAD	C23 C50 C54 C55 C56 C57 C58 C68
1	30320625	100UF	25V	20%	EL	RAD	C1
14	30320676	10UF	450V	20%	EL	RADIAL	C34 C35 C36 C37 C38 C39 C40 C41 C42 C43 C44 C45 C46 C47
1	30330114	0.22UF	100V	5%	PES	RAD	C73
1	30330116	4700PF	50V	5%	PE	RAD	C7
1	30330128	0.22UF	50V	5%	PE	RAD	C30
1	30330159	0.47UF	63V	5%	PES	RAD	C51

1	30340002	1500PF 50V 10% X7R AXL	C24
2	30340012	0.022UF 50V 10% X7R AXL	C32 C33
1	30340017	0.047UF 50V 10% X7R AXL	C11
1	30340057	270PF 50V 10% NPO AXL	C64
1	30340058	470PF 50V 10% NPO AXL	C72
2	30340101	0.1UF 50V 10% X7R AXL	C22 C26
1	30402114	2114 DUAL LN OPAMP DMP8	U1
2	30402873	SR2873 2KV, 250MA DIODE	D10 D11
2	30418141	1N758 10V ZENER SOD123	D13 D14
2	30418284	MMBT2907 PNP SOT23	Q2 Q4
1	30450879	WHT T1 3/4 LED S-BRT BULK	D1
4	30464003	1N4003 200V 1A SI DIODE	D2 D3 D4 D5
4	30464007	1N4007 1KV, 1A, SI DIODE	D6 D7 D8 D9
2	30464744	1N4744A 15V 1W 5% ZENER	D12 D15
1	30600136	0 OHM 22GA JMPR AXL	R15
4	30806623	EL84/6BQ5 POWER TUBE	V4 V5 V6 V7
3	30806629	12AX7 LOW MICROPHONIC	V1 V2 V3
7	30806631	TUBE SKT 9PIN CERAMIC	P1 P2 P3 P4 P5 P6 P7
1	30901428	PWR INLET, RA SCREW MT PC RA GND	J7
1	30901429	EXT. FUSEHOLDER, PC MT	F1
4	30901714	FUSE CLIP, 5 X 20MM -T&A	P33 P34 P35 P36
1	30901785	SCREW TERM, 6-32 -PCB MT	P38
11	30901853	STND .937 T4-40,SW,AL,ST	HW1 HW2 HW3 HW4 HW5 HW6 HW7 HW8 HW9 HW10 HW11



2	30901890	STND .375 T4-40SW,AL,ST	HW12 HW13
1	31190307	20KS SNGL 16MM SPD	VR6
2	31190311	1M5A SNGL 16MM SPD	VR2 VR5
1	31190334	250KB SNGL 16MM SPD	VR7
1	31190336	10KB SNGL 16MM SPD	VR4
1	31190337	10K20A SNGL 16MM SPD	VR3
1	31190339	250K20A SNGL 16MM SPD	VR1
2	31322251	SWITCH DPDT PP 3.3MM PC V	S1 S2
1	31466214	2 TIP HID JACK NINS W/SPD	J4
5	31466216	STEREO HID JACK INSU W/SP	J1 J2 J3 J5 J6
2	31466604	SNAP-FIT VERT RCA JACK, RED	J8 J9
12	33711818	PIN-F .093 FOR COMP MNTG	P17 P18 P20 P21 P22 P23 P24 P25 P29 P30 P31 P32
23	33716194	SPADE .250 PC MNT .093	P8 P9 P10 P11 P12 P14 P15 P16 P19 P26 P27 P28 P39 P40 P41 P42 P43 P44 P45 P46 P47 P48 P49
6 P134	33717003	1 STAKE PIN .045 .625 TIN	P131 P132 P133  P135 P136
1	70600134	6C .156 STRP SRCON 5"	P13

-----  
 END OF BILL OF MATERIAL REPORT  
 -----